

BL LIGHTING CATALOG

ILLUMINATE EVERYTHING

Light & Design Begins Here



LIGHTING
SINCE 1986

Providing innovative lighting solutions since 1986, BL Lighting manufactures specification-grade architectural lighting with a focus on dynamic, high performance, and sustainable, fiber optic, linear lighting, LED systems, and controls.

We provide complete support, and specialize in custom, tailor-made orders for architectural, hospitality, design-build, display, commercial and residential interiors or exteriors, and unique applications such as under-water, marine, extreme temperature, explosion proof, and more.

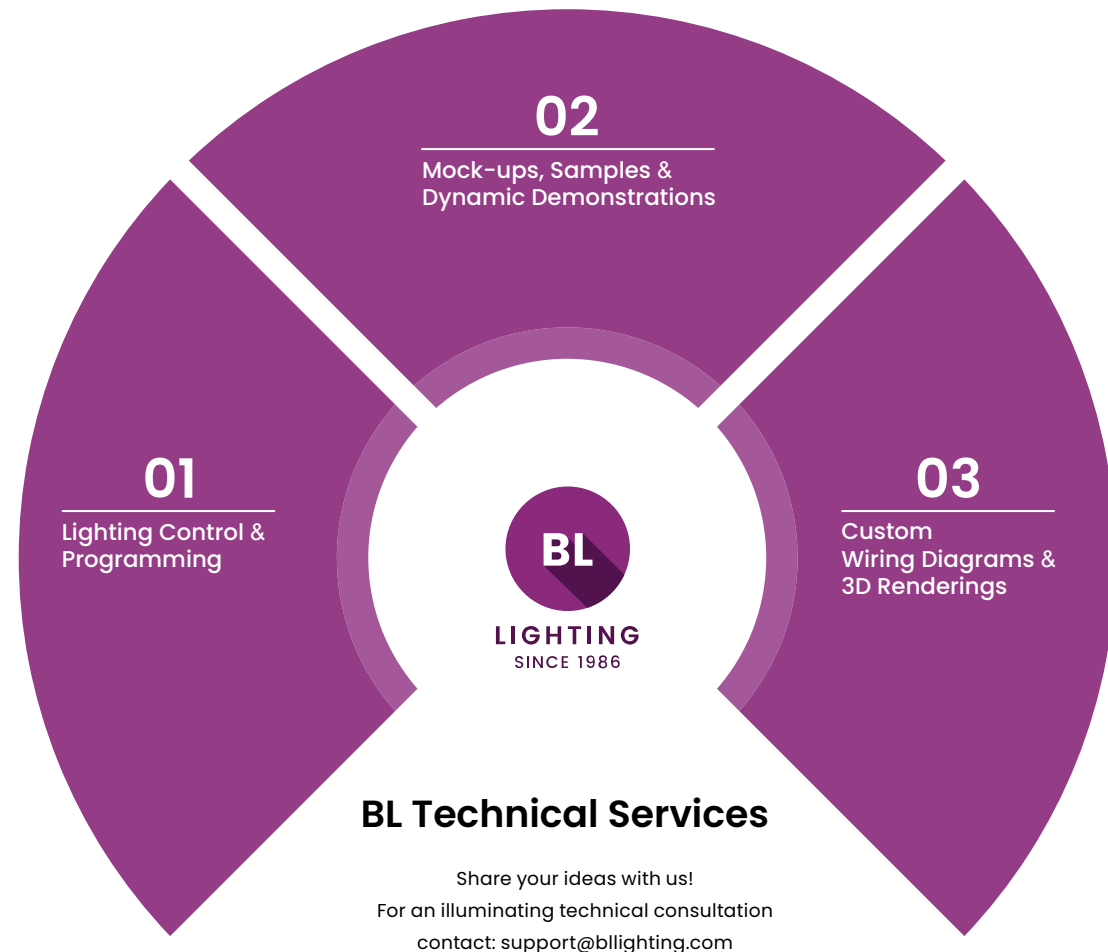
Our commitment is to explore and develop the latest of lighting technologies, to provide custom solutions, and ignite creativity in our clientele for all of their lighting endeavors.

Lighting should be functional, sustainable, and always beautiful. Lighting is our passion.

BL Technical Services

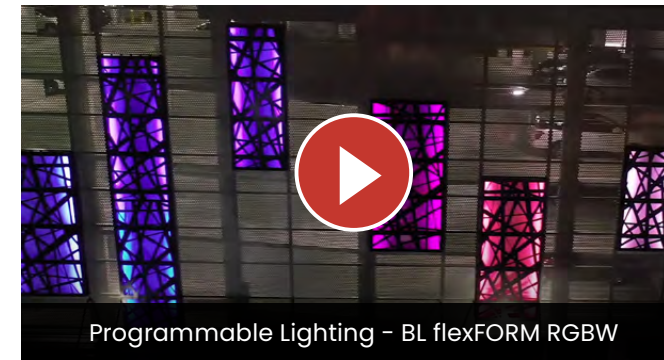
A comprehensive suite of BL Technical Services are available to support the success of your projects and ignite creativity in your clientele, including lighting control & programming, conceptual 3D renderings, samples for mock ups, customized installation drawings, layout maps, wiring diagrams, IES files, project specific instructions and more.

Ask us about our BL Illumination case, or request a virtual visit to our showroom, where our programmable illuminated displays make it easy to imagine the dynamic lighting effect your project is looking for.



Lighting Control & Programming

With our Architectural Lighting Control and Programming services, we'll guide you through the activation of exciting visual displays and help you utilize the media of light, adding color & movement to transform an illuminated exhibit into an immersive experience. Need more assistance? With our range of unique control options we can program scenes, schedules, and lighting sequences per your exact specifications to provide an out-of-the-box dynamic lighting solution. Take your landmark lighting projects to the next level with chasing, glowing and color changing animations. New technologies allow us to remotely handle your start-up and troubleshooting needs with ease. Looking for more inspiration? Request a demonstration today!

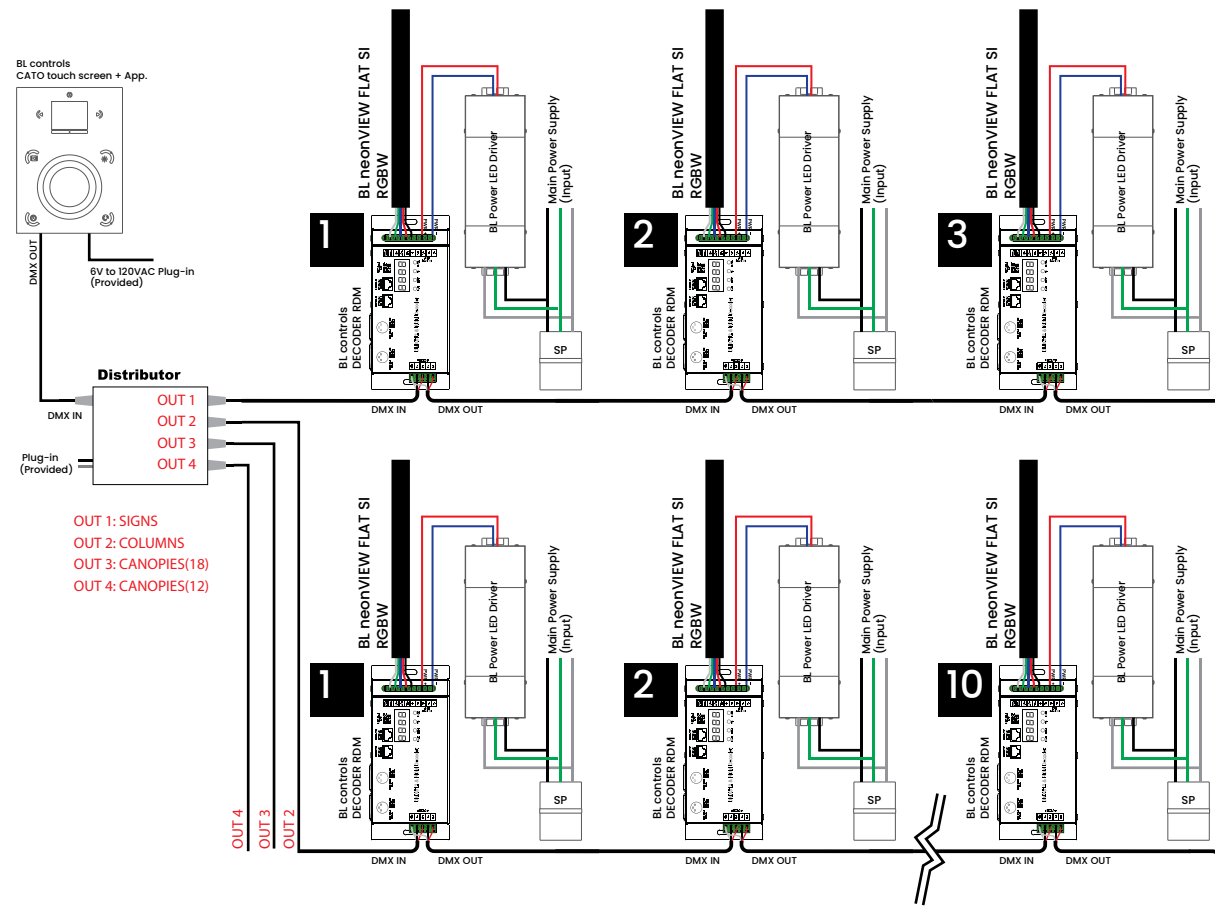


Custom Wiring & Layout Diagrams

For projects big and small, allow us to bring clarity and simplify the installation process. Custom wiring and layout diagrams are available to help you map out a successful installation.

Technical design and layout consultations may be supplemented with detailed, project specific, wiring and layout diagrams upon request, and we are always available to educate your installer on wiring schematics and installation details.

BL Lighting is committed to providing superior customer service and support to ensure every installation is a success.

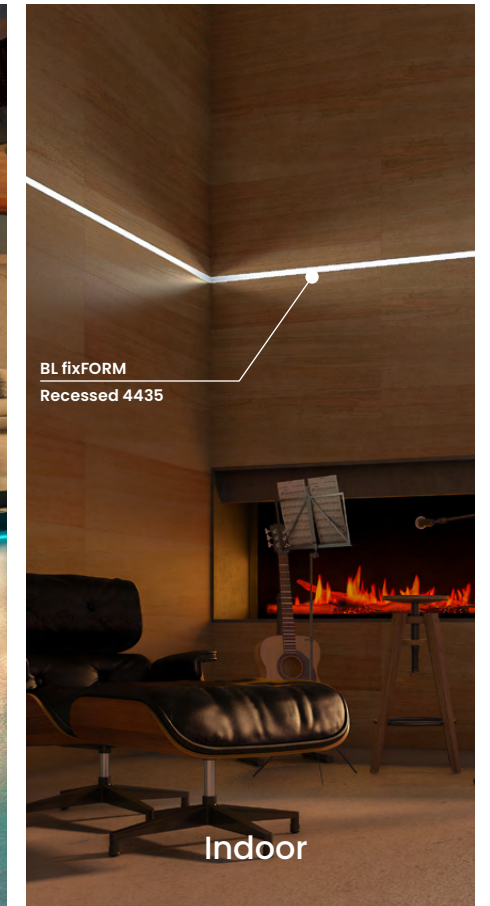
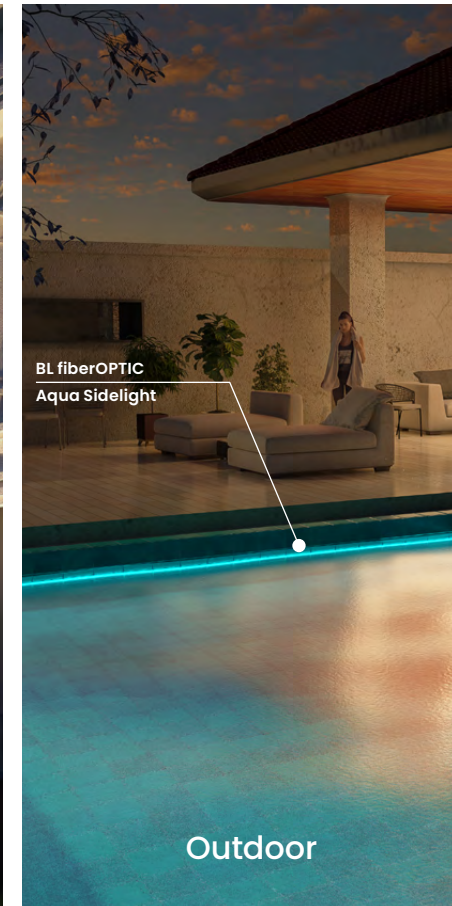


Conceptual 3D Rendering

Would you like a strong visual tool that shows how our lighting can illuminate your project? Allow us to review your architectural drawings and project details, and we will create conceptual 3D renderings to help you and your clients visualize how our luminaires can integrate with your space.

Let our virtual design expertise inspire, and delight you, and your clients.

For more information about our services, please contact info@bllighting.com



BL LIGHTING PRODUCT LINE

BL FLEX LINEAR

Illuminate everything with fully flexible and tailor-made, specification grade, architectural linear LED lighting systems. A complete line of flexible lumen packages complemented with accent, cove, direct view and architainment options.

BL RIGID LINEAR

Whether you need the convenience of a modular, quick-connect system or a go-to for endless customization in a range of optics and lumen packages, our rigid linear LED lighting solutions are ready for direct-view applications such as under-cabinet, suspended, and display case lighting.

BL OPTICAL FIBER

A heat-free, non-current bearing, flexible light guide for use with one of our purpose-built fixtures for end point source lighting or to emit a soft glow along its' length. Light is transmitted from the remote located light source, making BL fiberOPTIC suitable for the harshest environments, such as temperatures of over 200°F.

BL LUMINAIRES

This sturdy, yet elegant range of luminaires is capable of meeting a variety of lighting needs. Low maintenance and high performance LEDs provide vibrant illumination for any facade, fountain, signage or architectural feature.

BL CONTROLS

Our full complement of lighting controls includes traditional DMX systems as well as a Bluetooth system engineered for ease of installation and user convenience. When it comes to controlling RGB, RGBW, tunable white, dynamic, or chasing lights, BL Lighting has a specification grade solution for any product or project.

BL POWER

Our complete portfolio of constant voltage, 24V drivers, and power supplies with a variety of dimming and form factor options ensure that any project requirements can be accommodated. Every driver from BL Lighting can come equipped with a dedicated surge protector, adding another layer of security for our customers.

Contents

BL Technical Services	2
Contents	8
Photo Gallery	10
BL FLEX LINEAR	12
BL neonVIEW Series	13
BL neonVIEW DOME SI SC	15
BL neonVIEW DOME SI RGBW	17
BL neonVIEW FLAT SI SC	19
BL neonVIEW FLAT SI RGBW	21
BL neonVIEW SIDE SI SC	23
BL neonVIEW SIDE SI RGBW	25
BL neonVIEW TUNABLE SI	27
BL neonVIEW PIXEL SI	29
BL neonVIEW SI Profile Style	30
Lead Orientation Options	33
Infinite Run Lengths	34
Dimensions & Accessories	38
BL neonVIEW Series Performance	44
BL neonVIEW LINE	47
LINE Dimensions & Accessories	48
BL neonVIEW MINI FLAT SI SC	51
BL neonVIEW MINI SIDE SI SC	53
Dimensions & Accessories	54
BL flexFORM Series	58
BL flexFORM D1	61
BL flexFORM D2	63
BL flexFORM D3	65
BL flexFORM D4	67
BL flexFORM N2	69
BL flexFORM RGBW	71
BL flexFORM SIDE	73
BL flexFORM TUNABLE	75
BL flexFORM Dot-Free D2	77
BL flexFORM Dot-Free D3	79
BL flexFORM LINE D1	81
Dimensions & Performance	82
Easy BL SNAP Connector	90
BL Wiring Diagram	92

BL spotGLOBE Series	94
BL spotGLOBE LED	95
BL spotGLOBE INC	97
BL RIGID LINEAR	98
BL fixFORM Series	98
BL fixFORM Series	99
BL fixFORM Surface Mount Profiles	101
BL fixFORM SF Narrow Square	107
BL fixFORM SF Shallow 1709	109
BL fixFORM Suspended	111
BL fixFORM Stair Nose	113
BL fixFORM Recessed 2626	115
BL fixFORM Recessed Shallow 2811	117
BL fixFORM Recessed 4435	119
BL fixFORM Track Connector	120
BL OPTICAL FIBER	122
BL fiberOPTIC Series	122
BL fiberOPTIC Starfield	125
BL fiberOPTIC Sidelight	127
BL fiberOPTIC Aqua Sidelight	129
BL fiberOPTIC Endlight	131
BL End Fixtures Series	132
BL fiberOPTIC Museum	137
BL fiberOPTIC Showcase	139
BL fiberOPTIC Sauna Endlight	141
BL fiberOPTIC Downlight	143
BL fiberOPTIC Aqua Endlight	145
BL fiberOPTIC Suspended Endlight	147
BL fiberSOURCE Series	148
BL fiberSOURCE Orion 1	150
BL fiberSOURCE Orion 2	151
BL fiberSOURCE Orion 3	152
BL fiberSOURCE Orion 4	153
BL fiberSOURCE Mira	154
BL fiberSOURCE Aries	155
BL fiberSOURCE Petra	156
BL fiberSOURCE Phoenix	157
BL fiberSOURCE Hercules	158

BL LUMINAIRES	160
BL areaFLOOD BX2341	163
BL areaCIRCULAR CR212	165
BL areaLINEAR Series	166
BL areaLINEAR LNI312	167
BL areaLINEAR LN8286	169
BL inGROUND Series	170
BL inGROUND DISK114	171
BL inGROUND LNR9939	173
BL inWATER HALO195	175
BL puck Series	176
BL puck Square	177
BL puck Round	179
BL Power	180
BL LED Driver Series	180
BL LED Driver COMBO J5	183
BL LED Driver 010V J5	184
BL LED Driver Phase Cut J5	185
BL LED Driver Triac J5	186
BL LED Driver J5	187
BL LED Driver MLV J1	188
BL LED Driver 010V J1	189
BL LED Driver 010V O2	190
BL LED Driver 010V O3	191
BL LED Driver O3	192
BL LED Driver J4	193
BL Power SP PWR	194
BL Power SP UNI	195
BL Power Enclosure	196
BL Power CBOX Series	198
BL CBOX O3	200
BL CBOX 010V	201
BL CBOX MLV	202
BL CBOX DMX	203
BL CBOX PIXEL	204
BL CBOX BLU node	205

BL CONTROLS	206
BL controls System Guide	208
Colors, Tunable White System Guide	208
PIXEL Series System Guide	210
BL controls DMX System	212
BL controls SAGE touch screen + App.	214
BL controls CATO touch screen + App.	215
BL controls MIMI	216
BL controls PHAROS touch screen	217
BL controls DECODER RDM	218
BL controls DECODER SPI	219
BL controls Bluetooth mesh network	220
BL controls BLE node C4	222
BL controls BLE Switch	223
BL controls BLE node C8	224
GLOSSARY	226

Photo Gallery

Our online photo gallery contains hundreds of application photos that are updated continually with the most current completed project photos.

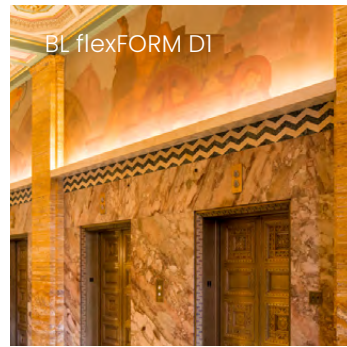
It is an excellent source of inspiration, showing all the creative ways that BL Lighting products can be used to produce a perfect lighting effect.

<https://bllighting.com/photo-gallery/>

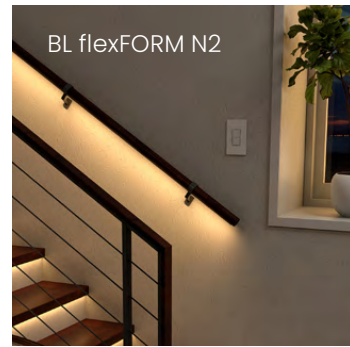
Follow us on social media for the latest information on our products, project pictures and promotions.

Please contact info@bllighting.com

Please contact info@bllighting.com for details about any image in our Photo Gallery



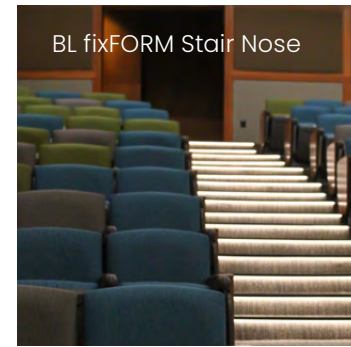
BL flexFORM D1



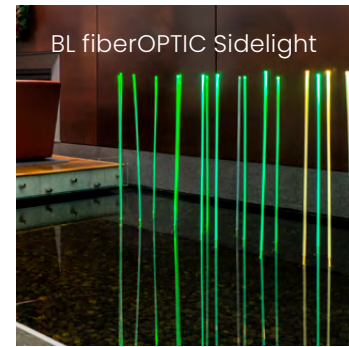
BL flexFORM N2



BL flexFORM LINE D1



BL fixFORM Stair Nose



BL fiberOPTIC Sidelight



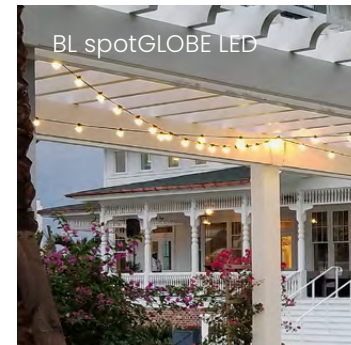
BL inGRADE DISK114



BL flexFORM D2



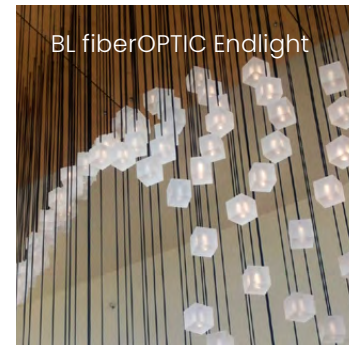
BL flexFORM RGBW



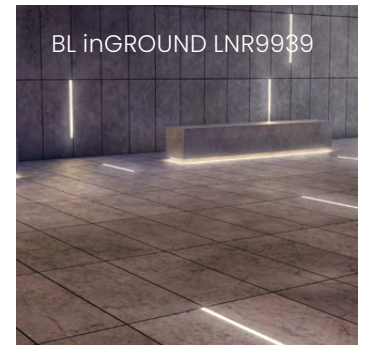
BL spotGLOBE LED



BL fixFORM Recessed 2626



BL fiberOPTIC Endlight



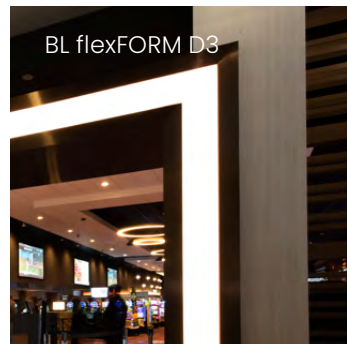
BL inGROUND LNR9939



BL neonVIEW DOME SI



BL neonVIEW SIDE SI



BL flexFORM D3



BL flexFORM SIDE



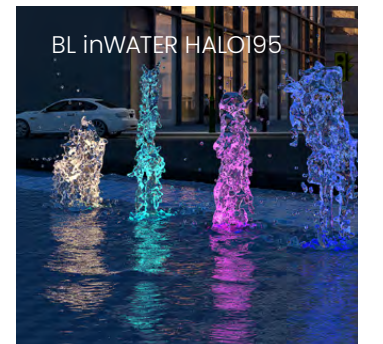
BL spotGLOBE INC



BL fixFORM SF Single Side 45



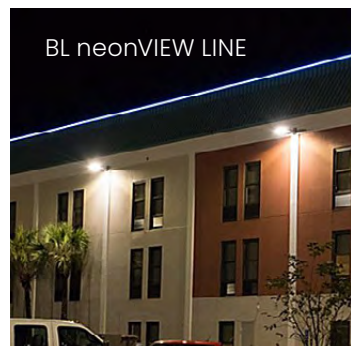
BL areaFLOOD BX2341



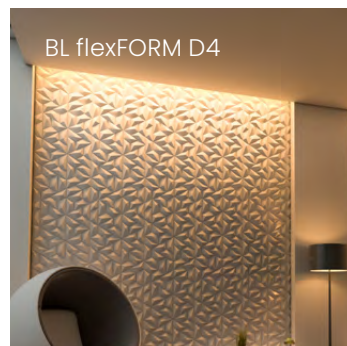
BL inWATER HALO195



BL neonVIEW FLAT SI



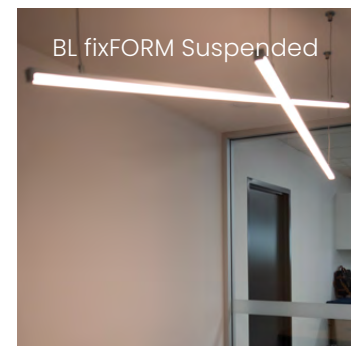
BL neonVIEW LINE



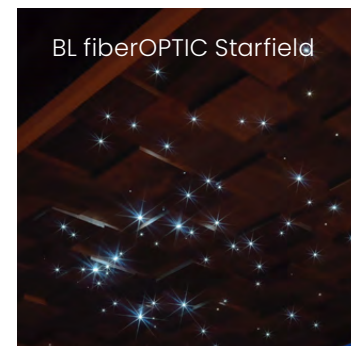
BL flexFORM D4



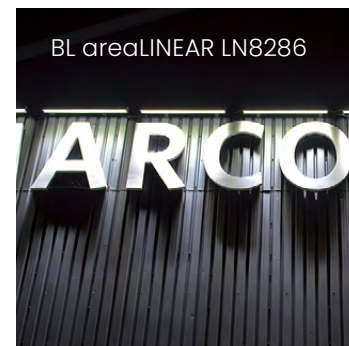
BL flexFORM TUNABLE



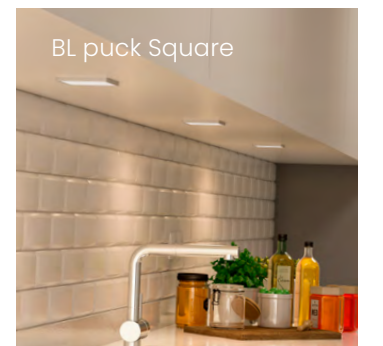
BL fixFORM Suspended



BL fiberOPTIC Starfield



BL areaLINEAR LN8286



BL puck Square

BL neonVIEW Series

The BL neonVIEW family of direct-view, linear lighting products are best-in-class, fully flexible, specification-grade customizable LED systems for indoor or outdoor use.

BL neonVIEW FLAT
3500K

BL neonVIEW FLAT
3500K

BL neonVIEW FLAT 3500K delivers a flawless execution of pure light, in direct view, at the CANVAS Campus entrance. BL Lighting tailor made each piece to meet precise size requirements, beautifully elevating the artistic hardscape design element, with even illumination along each length. The seamless back lead orientation option allowed all connections to be hidden out of sight, effortlessly integrated into the structure, for continuous, dot-free lighting.

BL neonVIEW FLAT 3500K IP68
Canvas Costa Mesa CA, USA

**BL neonVIEW
DOME SI SC**
DOME SILICONE SINGLE COLOR 15

**BL neonVIEW
LINE**
120V 47

**BL neonVIEW
DOME SI RGBW**
DOME SILICONE COLOR CHANGING 17

**BL neonVIEW
MINI FLAT SI SC**
MINI FLAT SILICONE SINGLE COLOR 51

**BL neonVIEW
FLAT SI SC**
FLAT SILICONE SINGLE COLOR 19

**BL neonVIEW
MINI SIDE SI SC**
MINI SIDE SILICONE SINGLE COLOR 53

**BL neonVIEW
FLAT SI RGBW**
FLAT SILICONE COLOR CHANGING 21

**BL neonVIEW
SIDE SI SC**
SIDE SILICONE SINGLE COLOR 23

**BL neonVIEW
SIDE SI RGBW**
SIDE SILICONE COLOR CHANGING 25

**BL neonVIEW
TUNABLE SI**
TUNABLE WHITE SILICONE 27

**BL neonVIEW
PIXEL SI**
COLOR CHANGING AND CHASING SILICONE 29

BL neonVIEW DOME SI SC DOMESILICONE SINGLE COLOR

The flexible, dome shaped, Silicone encapsulated diffuser bends horizontally and emits a dot free and high brightness light with a wide, 270° viewing angle. Injection molded connections provide superior weather protection. Available in single colors, standard, and custom Kelvin temperatures.

Lighting

CCT	2200K	2700K	3000K	3500K	4000K
	5700K	Custom CCT available!			
	Red	Green	Blue	Amber	
Power	2.44–3.66 W/FT				
Beam	160°				
Lumens	133 lm/FT (3500K)				
Efficacy	36 lm/W (3500K)				

Electrical

Controls	0–10V	MLV	ELV	Phase Cut
	Triac	DMX	Bluetooth	
Input Voltage	24VDC			
Connections	15AWG, Copper Conductors			
Temp. Range	–40°F to 131°F (–40°C to 55°C)			

Mechanical

Cutting Increments	3–9/32" (83.3mm)
Environmental	IP68
Length	3–9/32" (83.3mm)–39FT (12m)

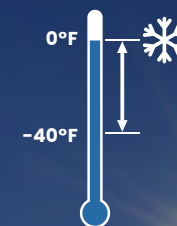
Accessories

NVTK	Factory Installed, Seamless Injection Molded Termination Kit*
NVCHS	Surface Mounting Channel
NVRCHS	Recessed Mounting Channel**

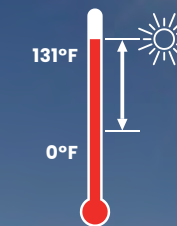
* For End, Back, and Side Lead Orientation Options, see page 33

** For More Mounting Options, see page 38

For more performance data, see page 44



Operating Temperature
–40°F to 131°F



BL neonVIEW DOME SI SC
3000K

Performance

CCT/Color	Power (W/FT)	Lumens (lm/FT)
2200K	3.66	104
2700K	3.66	133
3000K	3.66	129
3500K	3.66	133
4000K	3.66	137
5700K	3.66	130
Red	2.44	52
Green	3.66	132
Blue	3.66	28
Amber	2.44	52

Bends horizontally



BL neonVIEW DOME SI SC IP68
*Right Side Lead

* Multiple Lead Orientation options are available see page 33 for more details

BL neonVIEW DOME SI SC 3000K IP68 End Lead
Blanche Lamontagne, Québec City, QC, CANADA

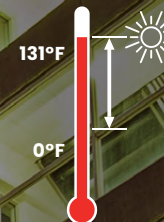
**BL neonVIEW DOME SI
RGBW**

Performance

Color	Power (W/FT)	Lumens (lm/FT)
RGB	3.66	86
RGB27K	4.57	135
RGB30K	4.57	137
RGB40K	4.57	140

BL neonVIEW DOME SI RGBW IP68 Back Lead
Zions Bank, Boise, ID, USA

Operating Temperature
-40°F to 131°F



Bends horizontally



BL neonVIEW DOME SI RGBW IP68
*Right Side Lead

* Multiple Lead Orientation options are available
see page 33 for more details

BL neonVIEW DOME SI RGBW

DOME SILICONE
COLOR CHANGING

The flexible, dome shaped, Silicone encapsulated diffuser bends horizontally and emits a dot free and high brightness light with a wide, 270° viewing angle. Injection molded connections provide superior weather protection. Controllable RGBW for customized colors and scenes.

Lighting

CCT	RGB	RGB27K	RGB30K	RGB40K
Power	3.66—4.57 W/FT			
Beam	160°			
Lumens	86—140 lm/FT			
Efficacy	23—31 lm/W			

Electrical

Controls	DMX	Bluetooth
Input Voltage	24VDC	
Connections	20AWG, Copper Conductors	
Temp. Range	-40°F to 131°F (-40°C to 55°C)	

Mechanical

Cutting Increments	3-15/16" (100mm)
Environmental	IP68
Length	3-15/16" (100mm)—26FT (7.9m)

Accessories

NVTK	Factory Installed, Seamless Injection Molded Termination Kit*
NVCHS	Surface Mounting Channel
NVRCHS	Recessed Mounting Channel**

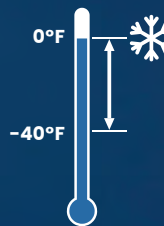
* For End, Back, and Side Lead Orientation Options, see page 33

** For More Mounting Options, see page 38

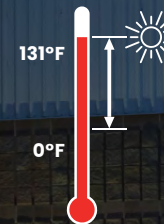
For more performance data, see page 44



BL neonVIEW FLAT SI SC
4000K



Operating Temperature
-40°F to 131°F



Bends horizontally



BL neonVIEW FLAT SI SC IP68
*Right Side Lead

Performance

CCT/Color	Power (W/FT)	Lumens (lm/FT)
2200K	3.66	106
2700K	3.66	128
3000K	3.66	135
3500K	3.66	132
4000K	3.66	141
5700K	3.66	128
Red	2.44	51
Green	3.66	132
Blue	3.66	26
Amber	2.44	47

BL neonVIEW FLAT SI SC 4000K IP68 Back Lead
Southside Pentecostal Church, Edmonton, AB, CANADA

* Multiple Lead Orientation options are available
see page 33 for more details

BL neonVIEW FLAT SI SC

FLAT SILICONE SINGLE COLOR

The flexible, flat shaped, Silicone encapsulated diffuser bends horizontally and emits a dot free, vivid line of concentrated light with a 160° viewing angle. Injection molded connections provide superior weather protection. Available with recessed mounting options and single colors, standard, and custom Kelvin temperatures.

Lighting

CCT	2200K	2700K	3000K	3500K	4000K
	5700K	Custom CCT available!			
	Red	Green	Blue	Amber	
Power	2.44–3.66 W/FT				
Beam	120°				
Lumens	132 lm/FT (3500K)				
Efficacy	36 lm/W (3500K)				

Electrical

Controls	0–10V	MLV	ELV	Phase Cut	
	Triac	DMX	Bluetooth		
Input Voltage	24VDC				
Connections	18AWG, Copper Conductors				
Temp. Range	–40°F to 131°F (–40°C to 55°C)				

Mechanical

Cutting Increments	3–9/32" (83.3mm)
Environmental	IP68
Length	3–9/32" (83.3mm)–39FT (12m)

Accessories

NVTK	Factory Installed, Seamless Injection Molded Termination Kit*
NVCHS	Surface Mounting Channel
NVRCHS	Recessed Mounting Channel**

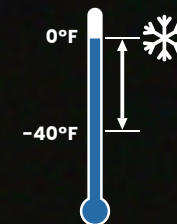
* For End, Back, and Side Lead Orientation Options, see page 33

** For More Mounting Options, see page 40

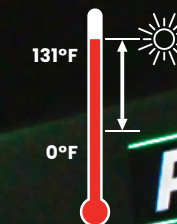
For more performance data, see page 44



BL neonVIEW FLAT SI
RGBW



Operating Temperature
-40°F to 131°F



Bends horizontally



BL neonVIEW FLAT SI RGBW IP68
*Right Side Lead

* Multiple Lead Orientation options are available
see page 33 for more details

Performance		
Color	Power (W/FT)	Lumens (lm/FT)
RGB	3.66	59
RGB27K	4.57	118
RGB30K	4.57	118
RGB40K	4.57	122

BL neonVIEW FLAT RGBW IP68 Back Lead
Paz Fuels Gas Station, Abbotsford, BC, CANADA

BL neonVIEW FLAT SI RGBW

FLAT SILICONE
COLOR CHANGING

The flexible, flat shaped, Silicone encapsulated diffuser bends horizontally and emits a dot free, vivid line of concentrated light with a 160° viewing angle. Injection molded connections provide superior weather protection. Available with recessed mounting options and RGBW is controllable for customized colors and scenes.

Lighting

CCT	RGB	RGB27K	RGB30K	RGB40K
Power	3.66—4.57 W/FT			
Beam	120°			
Lumens	59—122 lm/FT			
Efficacy	16—27 lm/W			

Electrical

Controls	DMX	Bluetooth
Input Voltage	24VDC	
Connections	20AWG, Copper Conductors	
Temp. Range	-40°F to 131°F (-40°C to 55°C)	

Mechanical

Cutting Increments	3-15/16" (100mm)
Environmental	IP68
Length	3-15/16" (100mm)—26FT (7.9m)

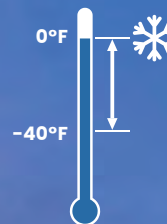
Accessories

NVTK	Factory Installed, Seamless Injection Molded Termination Kit*
NVCHS	Surface Mounting Channel
NVRCHS	Recessed Mounting Channel**

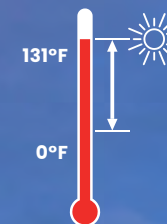
* For End, Back, and Side Lead Orientation Options, see page 33

** For More Mounting Options, see page 40

For more performance data, see page 44



Operating Temperature
-40°F to 131°F



BL neonVIEW SIDE SI SC
 4000K

Performance		
CCT/Color	Power (W/FT)	Lumens (lm/FT)
2200K	3.66	156
2700K	3.66	185
3000K	3.66	191
3500K	3.66	199
4000K	3.66	201
5700K	3.66	192
Red	2.44	66
Green	3.66	185
Blue	3.66	42
Amber	2.44	67



BL neonVIEW SIDE SI SC

SIDE SILICONE SINGLE COLOR

The flexible, perfectly flat shaped, Silicone encapsulated diffuser bends vertically and emits a dot free, vivid line of concentrated light with a 160° viewing angle. Injection molded connections provide superior weather protection. Available with recessed mounting options, single colors, standard, and custom Kelvin temperatures.

Lighting

CCT	2200K	2700K	3000K	3500K	4000K
	5700K	Custom CCT available!			
	Red	Green	Blue	Amber	
Power	2.44–3.66 W/FT				
Beam	120°				
Lumens	199 lm/FT (3500K)				
Efficacy	54 lm/W (3500K)				

Electrical

Controls	0–10V	MLV	ELV	Phase Cut
	Triac	DMX	Bluetooth	
Input Voltage	24VDC			
Connections	18AWG, Copper Conductors			
Temp. Range	-40°F to 131°F (-40°C to 55°C)			

Mechanical

Cutting Increments	2-3/16" (55.6mm)
Environmental	IP68
Length	2-3/16" (55.6mm)–39FT (12m)

Accessories

NVTK	Factory Installed, Seamless Injection Molded Termination Kit*
NVSCHS	Surface Mounting Channel
NVSRCHS	Recessed Mounting Channel**

* For End, Back, and Side Lead Orientation Options, see page 33

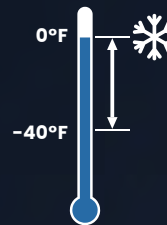
** For More Mounting Options, see page 42

For more performance data, see page 44

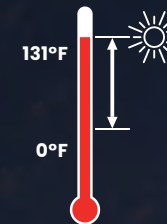
BL neonVIEW SIDE SI SC 4000K IP68 Back Lead
 Sodior 2, Québec City, QC, CANADA

* Multiple Lead Orientation options are available
 see page 33 for more details

BL neonVIEW SIDE SI
RGBW



Operating Temperature
-40°F to 131°F



Bends vertically



BL neonVIEW SIDE SI RGBW IP68
*Right Side Lead

* Multiple Lead Orientation options are available
see page 33 for more details

Performance

Color	Power (W/FT)	Lumens (lm/FT)
RGB	3.66	125
RGB27K	4.57	206
RGB30K	4.57	207
RGB40K	4.57	209

BL neonVIEW SIDE SI RGBW

SIDE SILICONE
COLOR CHANGING

The flexible, perfectly flat shaped, Silicone encapsulated diffuser bends vertically and emits a dot free, vivid line of concentrated light with a 160° viewing angle. Injection molded connections provide superior weather protection. Available with recessed mounting options, and RGBW is controllable for customized colors and scenes.

Lighting

CCT	RGB	RGB27K	RGB30K	RGB40K
Power	3.66–4.57 W/FT			
Beam	120°			
Lumens	125–209 lm/FT			
Efficacy	34–46 lm/W			

Electrical

Controls	DMX	Bluetooth
Input Voltage	24VDC	
Connections	20AWG, Copper Conductors	
Temp. Range	-40°F to 131°F (-40°C to 55°C)	

Mechanical

Cutting Increments	3-9/32" (83.3mm)
Environmental	IP68
Length	3-9/32" (83.3mm)–26FT (7.9m)

Accessories

NVTK	Factory Installed, Seamless Injection Molded Termination Kit*
NVSCHS	Surface Mounting Channel
NVSRCHS	Recessed Mounting Channel**

* For End, Back, and Side Lead Orientation Options, see page 33

** For More Mounting Options, see page 42

For more performance data, see page 44

Specifications subject to change without notice.

Please refer to our website at bllighting.com for current technical data. BL neonVIEW Series 25

BL neonVIEW TUNABLE SI

Dynamically control color temperature and set the mood with BL neonVIEW TUNABLE SI. The flexible Silicone encapsulated diffuser emits a dot free and high brightness line of light, and injection molded connections provide superior weather protection. Available in BL neonVIEW SIDE, DOME, and FLAT profile styles, Tunable White allows you to easily change LED intensity, and tune in to any CCT.

Lighting

CCT	2200K–5700K
Power	3.66 W/FT
Beam Angle	120°
Lumens	175 lm/FT
Efficacy	48 lm/W

Electrical

Controls	DMX Bluetooth
Input Voltage	24VDC
Connections	18AWG, Copper Conductors
Temp. Range	-40°F to 131°F (-40°C to 55°C)

Mechanical

Cutting Increments	3-9/32" (83.3mm)
Environmental	IP68
Length	3-9/32" (83.3mm)–26FT (7.9m)

Accessories

NVTK	Factory Installed, Seamless Injection Molded Termination Kit*
NVCHS	Surface Mounting Channel
NVRCHS	Recessed Mounting Channel**

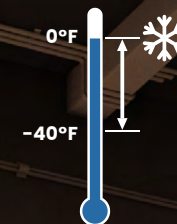
The above information is based on SIDE profile. For detailed specifications on all BL neonVIEW TUNABLE SI options, please visit bllighting.com

* For End, Back, and Side Lead Orientation Options, see page 33

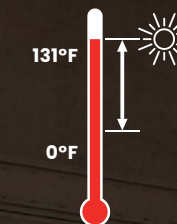
** For More Mounting Options, see page 42

For more performance data, see page 44

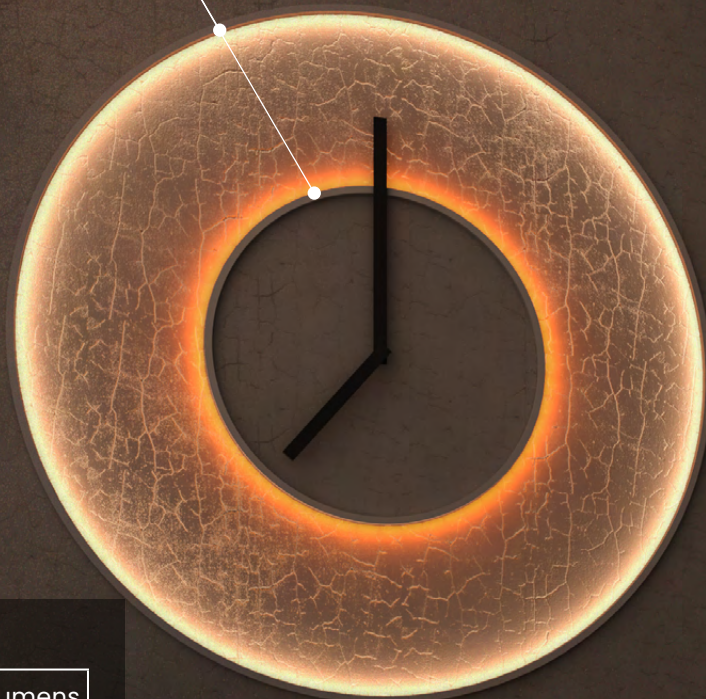
Specifications subject to change without notice. Please refer to our website at bllighting.com for current technical data. BL neonVIEW Series 27



Operating Temperature
-40°F to 131°F



BL neonVIEW TUNABLE
SIDE SI



Performance

Profile	Power (W/FT)	Lumens (lm/FT)
DOME	3.66	135
FLAT	3.66	105
SIDE	3.66	175

Available in Dome, Flat, and Side Options

BL neonVIEW PIXEL SI

Create expressive motion, chase, and pixel effects beyond RGBW color changing and fading. This allows for dynamic and interactive illuminated displays. Available in all three flexible profile styles.



All segments can be independently controlled to create a nearly infinite amount of patterns and animations.



Scenes may be programmed and triggered manually or by an automatic time clock.

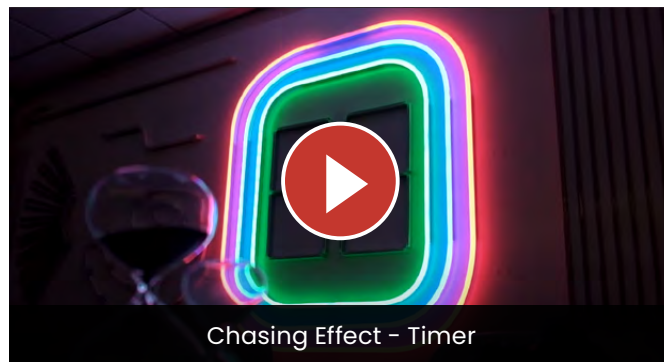
Click on thumbnail to play video



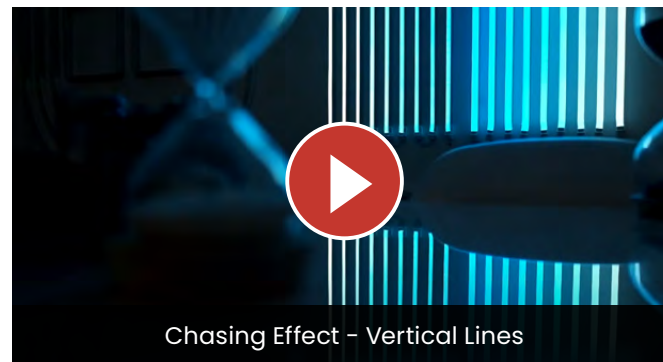
Chasing Effect - Circles



Chasing Effect - Stripes



Chasing Effect - Timer



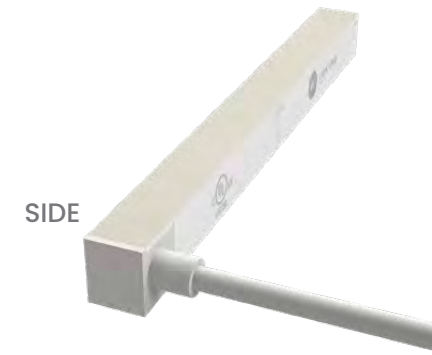
Chasing Effect - Vertical Lines



DOME



FLAT



SIDE

BL neonVIEW PIXEL SI Series *Right Side Lead

* Multiple Lead Orientation options are available see page 33 for more details

BL neonVIEW PIXEL SI

The flexible, Silicone encapsulated diffuser emits a dot free, high brightness, line of active light. Available in multiple viewing angles, two bending directions, and with injection molded connections for superior weatherability. Integrate expressive motion, chasing effects, and interactive illuminated displays.

Lighting

CCT	RGB	RGB27K	RGB30K	RGB40K
Power	4.57 W/FT			
Beam Angle	160°			
Lumens	136 lm/FT			
Efficacy	30 lm/W			

Electrical

Controls	DMX
Input Voltage	24VDC
Connections	18AWG, Copper Conductors
Temp. Range	-40°F to 131°F (-40°C to 55°C)

Mechanical

Cutting Increments	4-15/16" (125mm)
Environmental	IP68
Length	4-15/16" (125mm)—21FT (6.4m)

Accessories

NVTK	Factory Installed, Seamless Injection Molded Termination Kit*
NVCHS	Surface Mounting Channel
NVRCHS	Recessed Mounting Channel**

The above information is based on DOME RGB40K
For detailed specifications on all BL neonVIEW PIXEL SI options, please visit bllighting.com

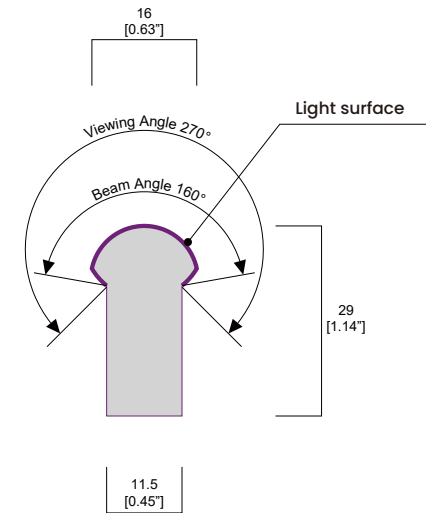
* For End, Back, and Side Lead Orientation Options, see page 33

** For More Mounting Options, see page 42

For more performance data, see page 44

BL neonVIEW SI Series Profile Style

BL neonVIEW SI Series is made to order in three flexible styles, two bending directions and two viewing angles, making it easy to design and integrate linear lighting seamlessly into any architectural feature. Dome and Flat Profiles bend horizontally, alongside the light surface, while the perfectly flat Side Profile bends vertically across the light surface. Dome profile is the most popular choice with a wide 270° viewing angle, while Flat and Side profiles concentrate the illumination into a single and brilliant direct-view light surface and may be smoothly flush mounted. All three profiles integrate with our seamless injection molded connections to create limitless lengths of highly visible, striking lines of uniform, dot free light.



DOMES PROFILE

BL neonVIEW DOME SI SC

DOMES SILICONE SINGLE COLOR

BL neonVIEW DOME SI RGBW

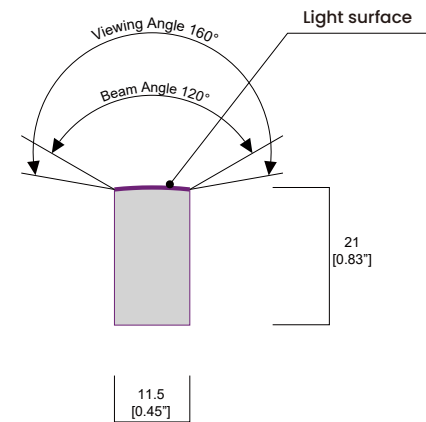
DOMES SILICONE COLOR CHANGING

BL neonVIEW TUNABLE DOME SI

TUNABLE WHITE DOME SILICONE

BL neonVIEW PIXEL DOME SI

PIXEL DOME SILICONE



FLAT PROFILE

BL neonVIEW FLAT SI SC

FLAT SILICONE SINGLE COLOR

BL neonVIEW FLAT SI RGBW

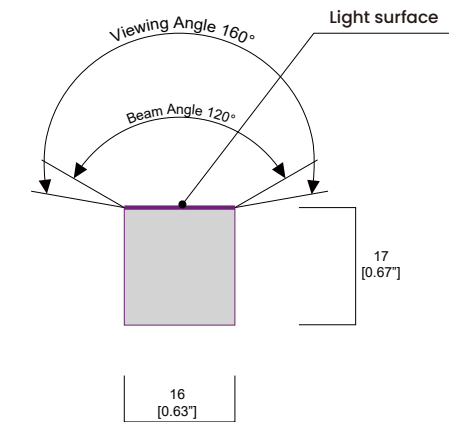
FLAT SILICONE COLOR CHANGING

BL neonVIEW TUNABLE FLAT SI

TUNABLE WHITE FLAT SILICONE

BL neonVIEW PIXEL FLAT SI

PIXEL FLAT SILICONE



SIDE EMITTING

BL neonVIEW SIDE SI SC

SIDE SILICONE SINGLE COLOR

BL neonVIEW SIDE SI RGBW

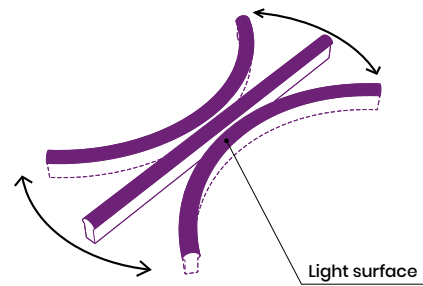
SIDE SILICONE COLOR CHANGING

BL neonVIEW TUNABLE SIDE SI

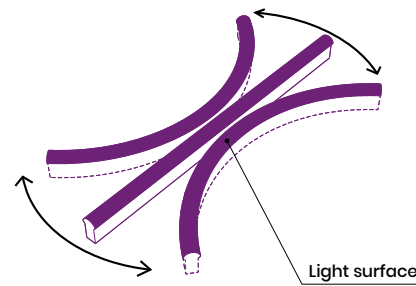
TUNABLE WHITE SIDE SILICONE

BL neonVIEW PIXEL SIDE SI

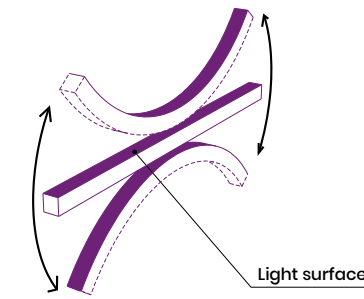
PIXEL SIDE SILICONE



**BL neonVIEW DOME
bends horizontally**



**BL neonVIEW FLAT
bends horizontally**



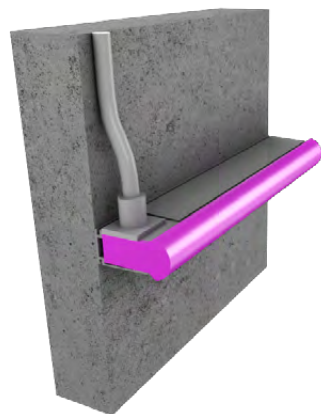
**BL neonVIEW SIDE
bends vertically**



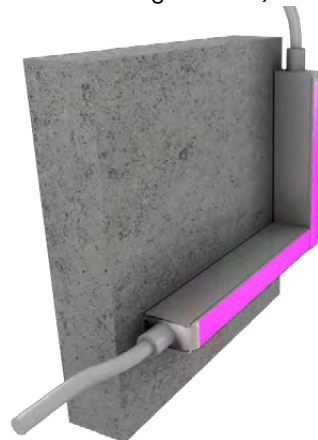
BL neonVIEW SI Lead Orientation Options

Each made-to-order length of BL neonVIEW SI is manufactured with our IP68 Seamless Injection molded Termination Kits. These factory-installed, weatherproof connections are available in four custom lead orientation styles, giving you the freedom to install lights seamlessly and hide all termination lead wire feeds and connections from view. With so many options, you can make an informed choice and design your project with confidence. Refer to the diagram on the left, illustrating just how easy it is to integrate the function into the form for a flawless finish.

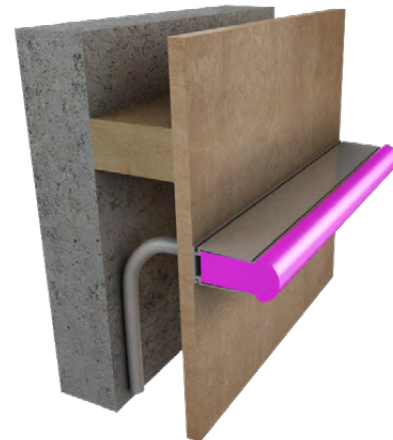
LEFT SIDE LEAD
(Surface Mounting Channel)



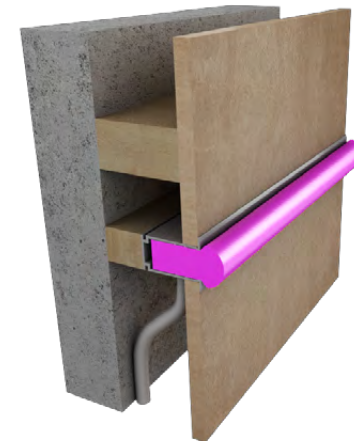
END LEAD
(Surface Mounting Channel)



BACK LEAD
(Surface Mounting Channel)



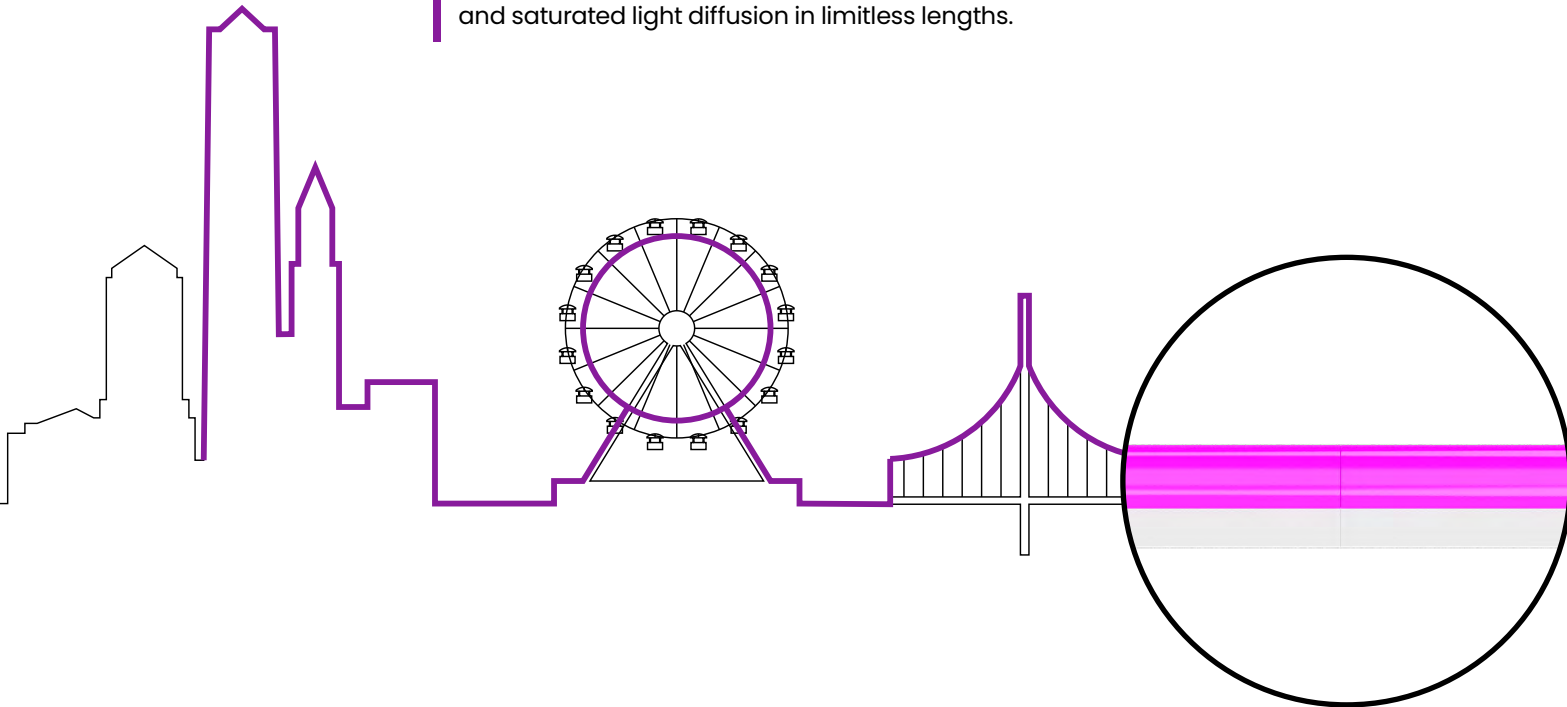
RIGHT SIDE LEAD
(Recessed Mounting Channel)



Figures shown for illustrative purposes only.
Actual product may vary.

Infinite Run Lengths

Achieve endless lines of dot free, uniform light in direct-view applications with no dark spots! Create brilliant and absolutely smooth, shadow-free and saturated light diffusion in limitless lengths.

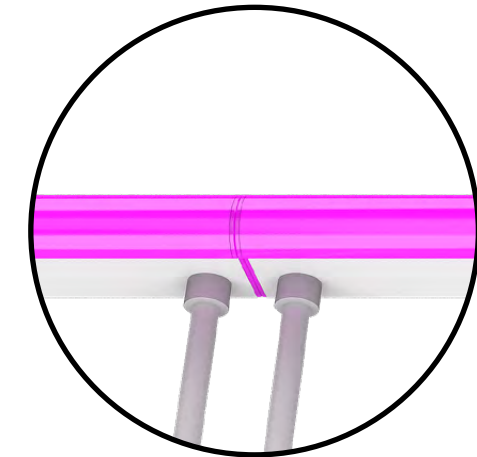


BL neonVIEW SI

Seamless Continuous Runs

BL neonVIEW SI is manufactured with IP68 seamless injection molded terminations that allow layout from end to end, without breaks or shadows - simply continuous streams of light connecting individual run lengths. Silicone encapsulated and injection molded for superior weatherability, longevity, and absolutely seamless light delivery.

Choose Back or Side lead orientation for seamless, continuous streams of light.



IP68 Seamless Injection Molded

Limitless Lines of Light

LEFT
SIDE
LEAD

Part# NVTK68SMLSC

RIGHT
SIDE
LEAD

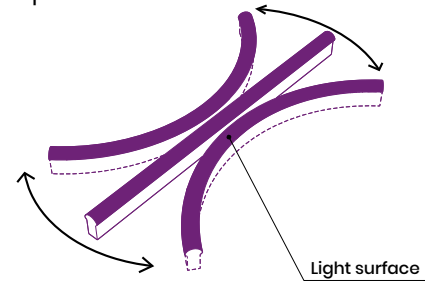
Part# NVTK68SMRSC

Figures shown for illustrative purposes only.
Actual product may vary.

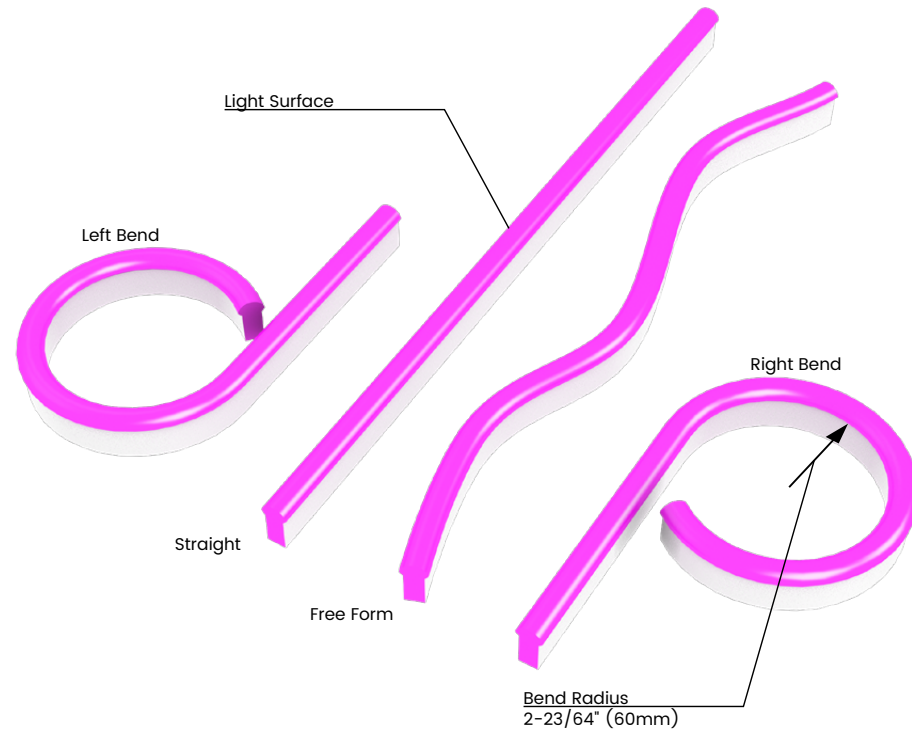
BL neonVIEW SI

Bend Direction and Radius (DOME, FLAT)

The side bending BL neonVIEW Dome & Flat profiles provide the flexibility you need to create organic shapes and patterns. With a tight radius of 2-23/64" (60mm) bending horizontally alongside the light surface, **BL neonVIEW DOME** and **BL neonVIEW FLAT** are perfect for producing freeform patterns and shapes.



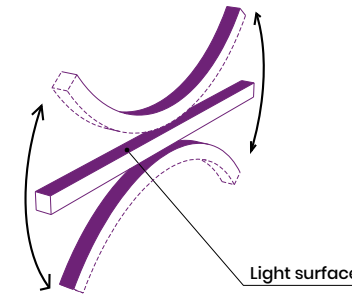
BL neonVIEW DOME, FLAT
bends horizontally



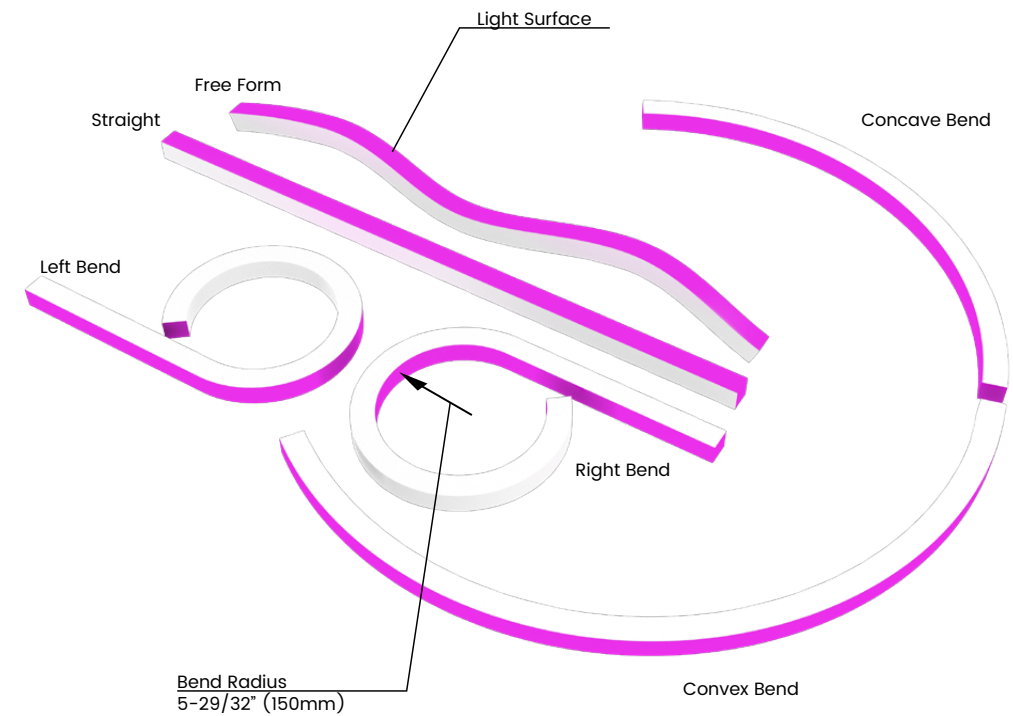
BL neonVIEW SI

Bend Direction and Radius (SIDE)

BL neonVIEW SIDE with a unique Side Light profile bends vertically, across the light surface. With a bend radius of 5-29/32" (150mm), **BL neonVIEW SIDE** is the practical choice for composing circular shapes and contours.



BL neonVIEW SIDE
bends vertically

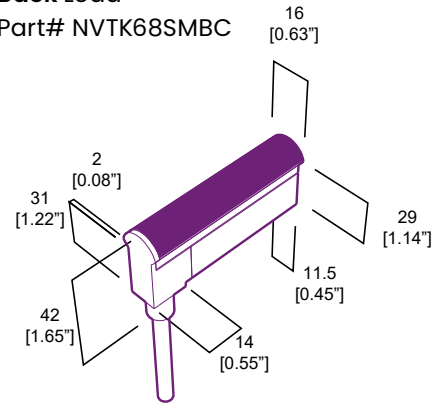


BL neonVIEW DOME SI Dimensions & Accessories

Achieve endless lines of uniform light even in direct-view applications with our standard IP68 Seamless BL neonVIEW Termination Kits. With a multitude of lead orientation choices, you can keep termination lead wires hidden from sight and eliminate shadows from in between individual run lengths. All custom lead orientation options are injection molded in our factory with invisible end caps to provide superior weatherability, longevity, and seamless light delivery.

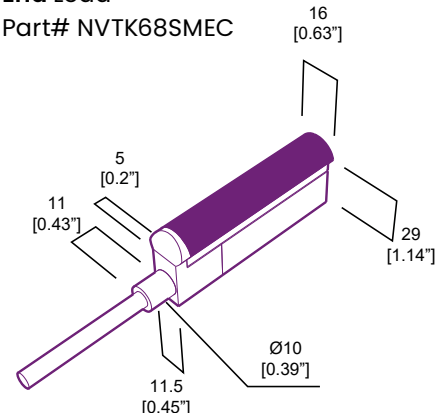
Back Lead

Part# NVTK68SMBC

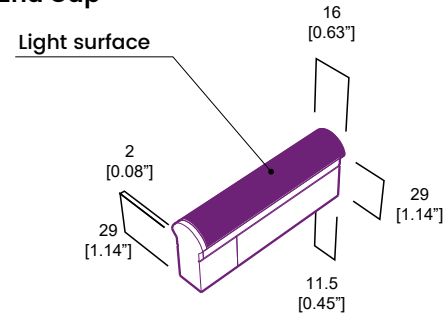


End Lead

Part# NVTK68SMEC

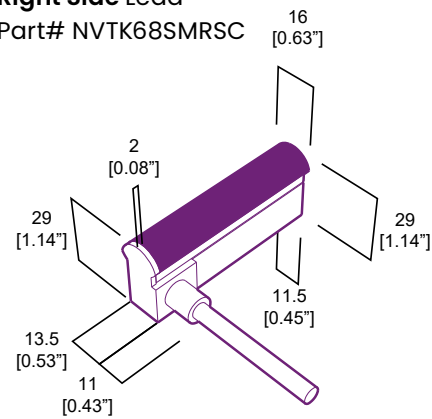


End Cap



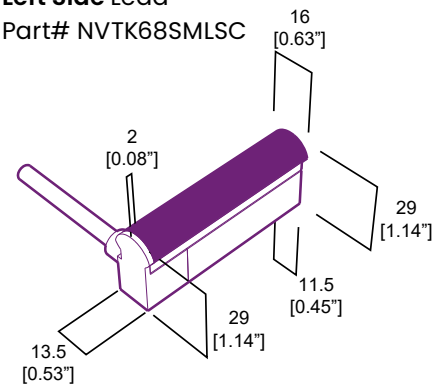
Right Side Lead

Part# NVTK68SMRSC

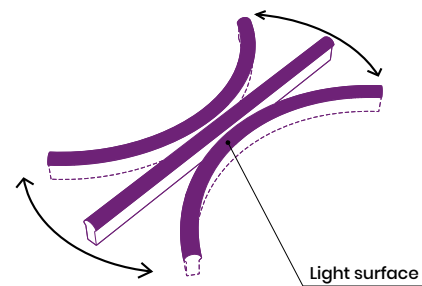


Left Side Lead

Part# NVTK68SMLSC

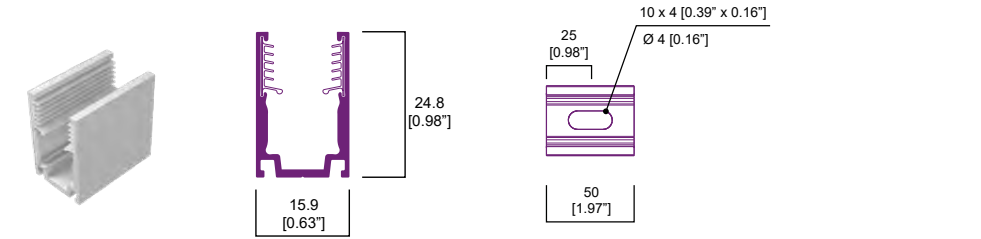


BL neonVIEW DOME bends horizontally



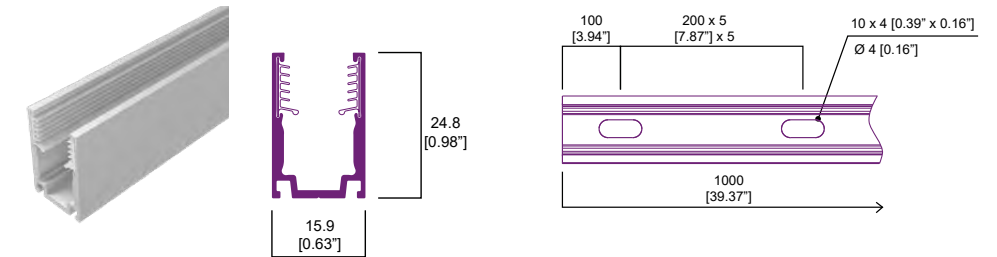
Surface Mounting Clip

Part# NVCPS



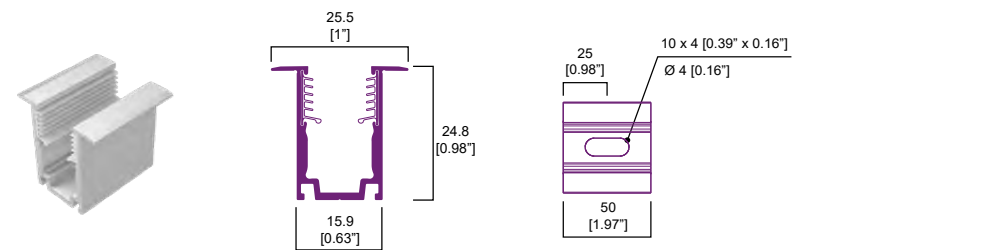
Surface Mounting Channel

Part# NVCHS



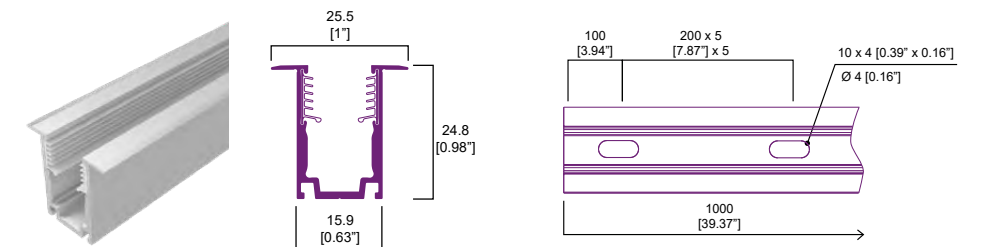
Recessed Mounting Clip

Part# NVRCS



Recessed Mounting Channel

Part# NVRCHS

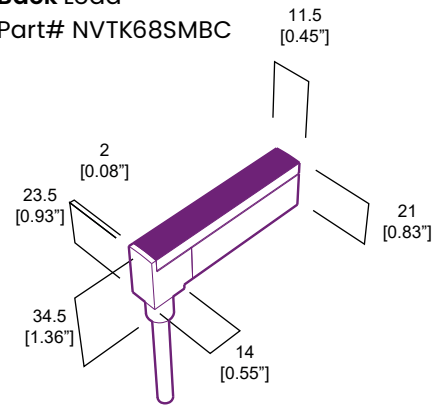


BL neonVIEW FLAT SI Dimensions & Accessories

Achieve endless lines of uniform light even in direct-view applications with our standard IP68 Seamless BL neonVIEW Termination Kits. With a multitude of lead orientation choices, you can keep termination lead wires hidden from sight and eliminate shadows from in between individual run lengths. All custom lead orientation options are injection molded in our factory with invisible end caps to provide superior weatherability, longevity, and seamless light delivery.

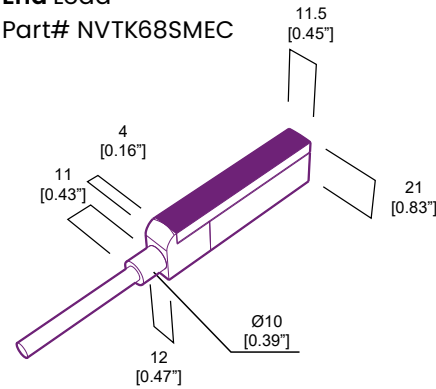
Back Lead

Part# NVTK68SMBC

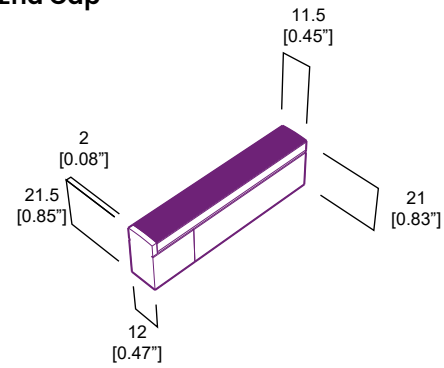


End Lead

Part# NVTK68SMEC

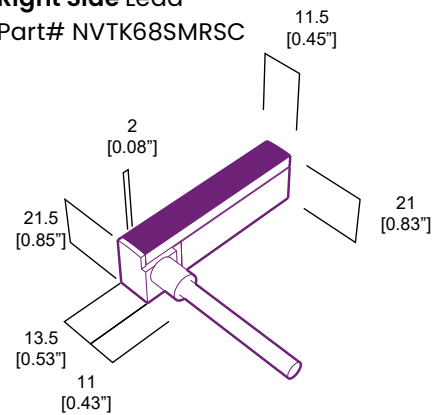


End Cap



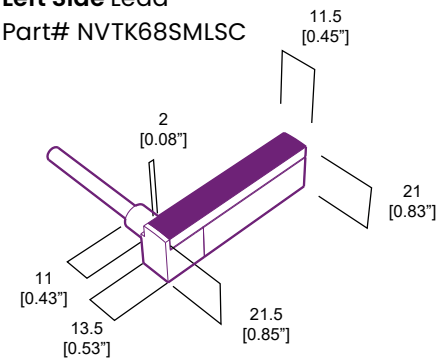
Right Side Lead

Part# NVTK68SMRSC

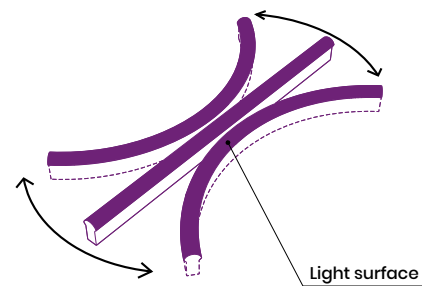


Left Side Lead

Part# NVTK68SMLSC

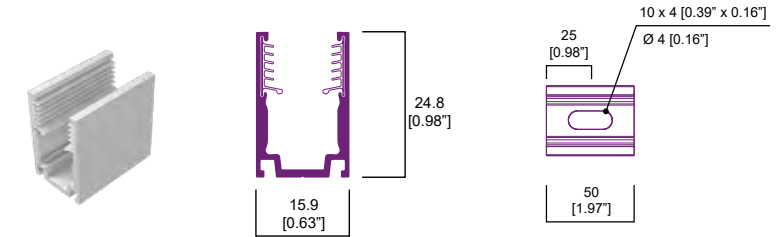


BL neonVIEW FLAT bends horizontally



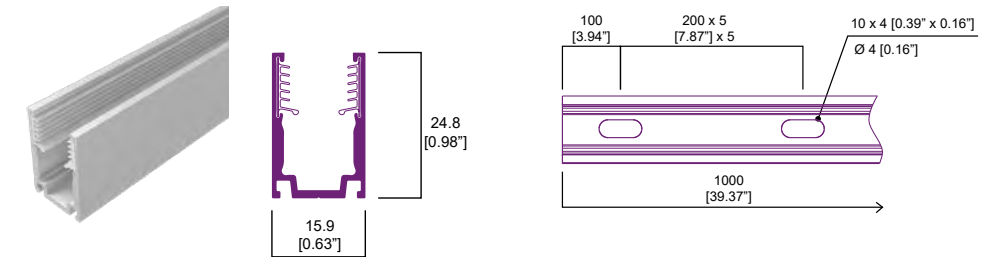
Surface Mounting Clip

Part# NVCPS



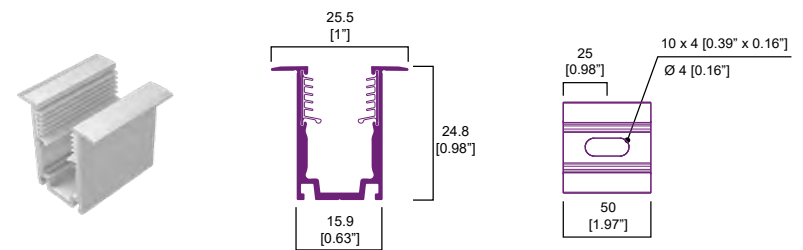
Surface Mounting Channel

Part# NVCHS



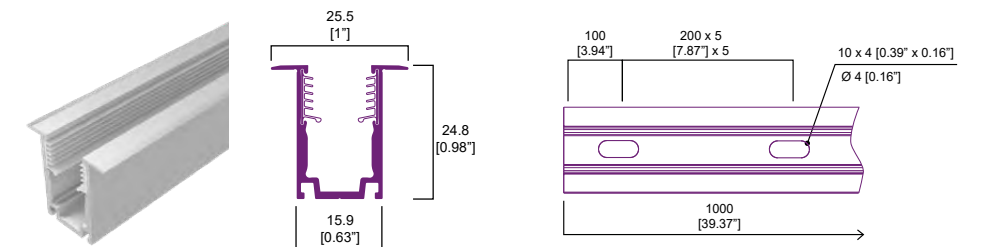
Recessed Mounting Clip

Part# NVRCS



Recessed Mounting Channel

Part# NVRCHS

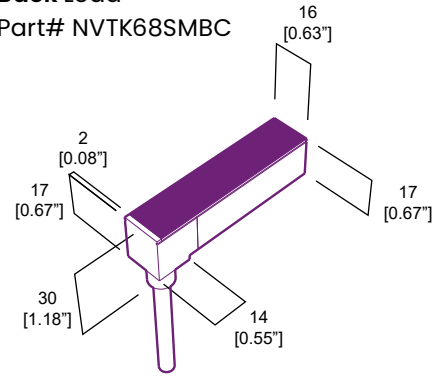


BL neonVIEW SIDE SI Dimensions & Accessories

Achieve endless lines of uniform light even in direct-view applications with our standard IP68 Seamless BL neonVIEW Termination Kits. With a multitude of lead orientation choices, you can keep termination lead wires hidden from sight and eliminate shadows from in between individual run lengths. All custom lead orientation options are injection molded in our factory with invisible end caps to provide superior weatherability, longevity, and seamless light delivery.

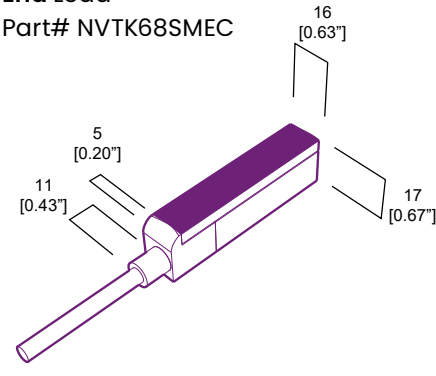
Back Lead

Part# NVTK68SMBC

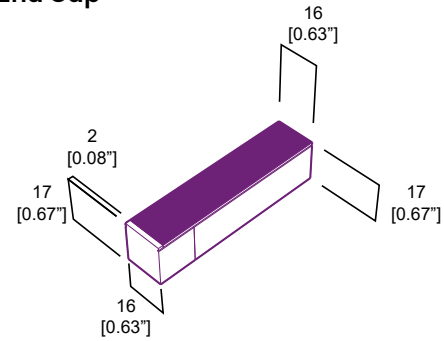


End Lead

Part# NVTK68SMEC

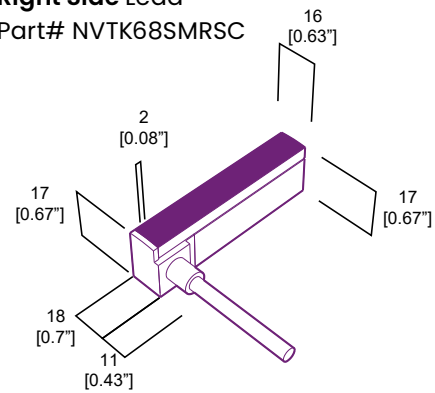


End Cap



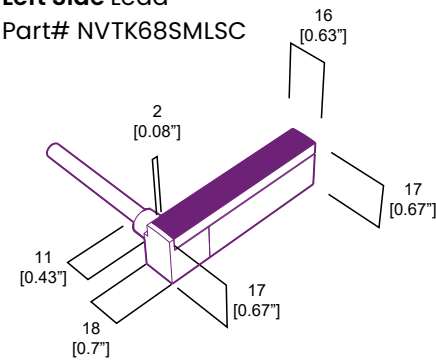
Right Side Lead

Part# NVTK68SMRSC

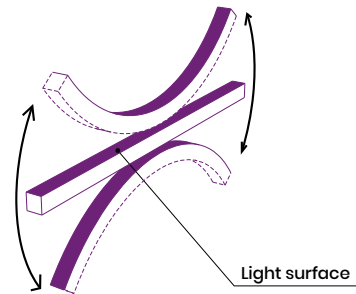


Left Side Lead

Part# NVTK68SMLSC

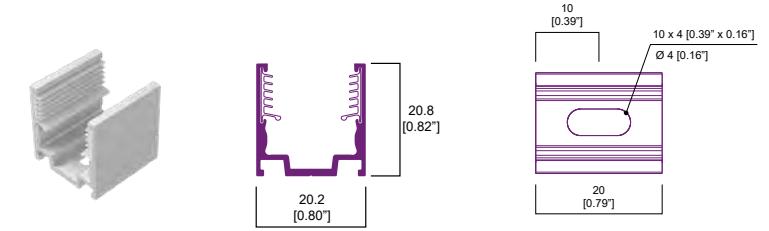


BL neonVIEW SIDE bends vertically



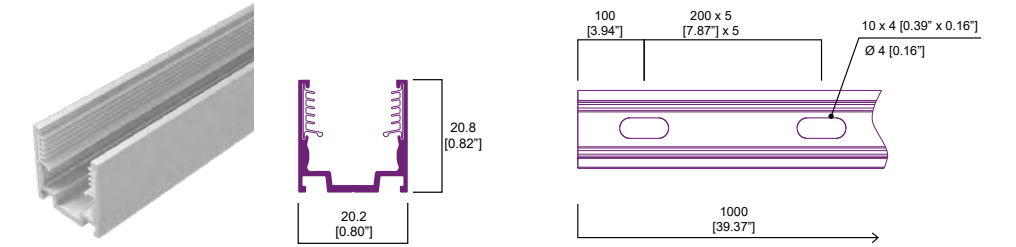
Surface Mounting Clip

Part# NVSCPS



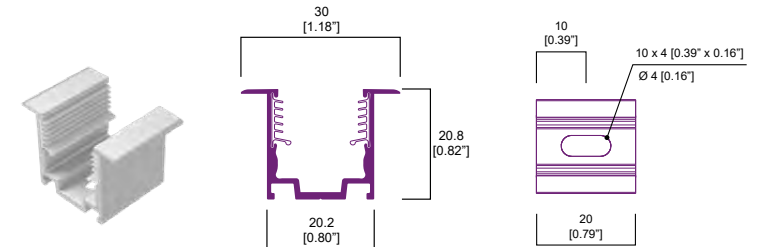
Surface Mounting Channel

Part# NVSCHS



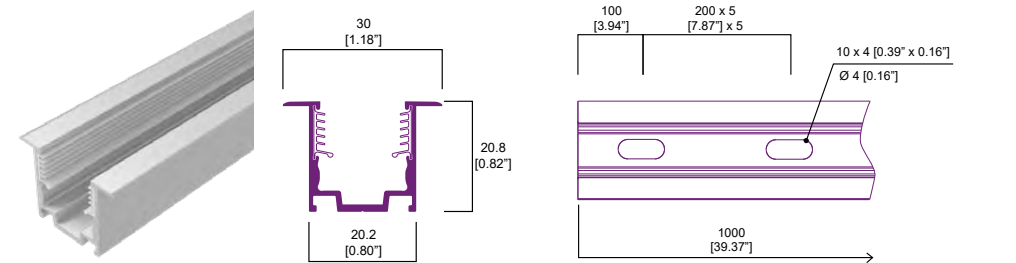
Recessed Mounting Clip

Part# NVSRCS

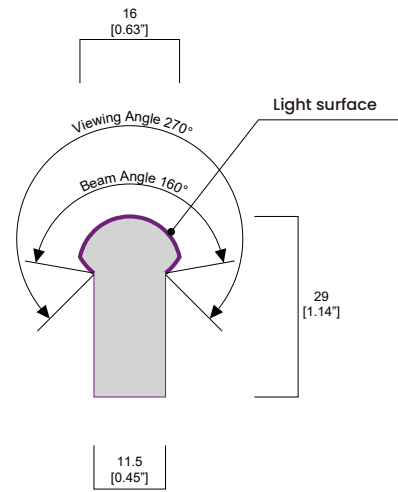


Recessed Mounting Channel

Part# NVSRCHS



BL neonVIEW SI Series Performance



BL neonVIEW DOME SI SC

CCT/Color	Power (W/FT)	Lumens (lm/FT)	Efficacy (lm/W)
2200K	3.66	104	29
2700K	3.66	133	36
3000K	3.66	129	35
3500K	3.66	133	36
4000K	3.66	137	37
5700K	3.66	130	35
Red	2.44	52	21
Green	3.66	132	36
Blue	3.66	28	8
Amber	2.44	52	21

BL neonVIEW DOME SI RGBW

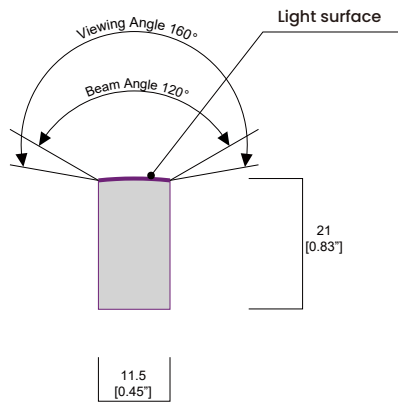
Color	Power (W/FT)	Lumens (lm/FT)	Efficacy (lm/W)
RGB	3.66	86	24
RGB27K	4.57	135	29
RGB30K	4.57	135	29
RGB40K	4.57	140	31

BL neonVIEW TUNABLE DOME SI

CCT	Power (W/FT)	Lumens (lm/FT)	Efficacy (lm/W)
2200 (WW)		63	36
5700 (W)		76	43
WW + W	3.66	136	37

BL neonVIEW PIXEL DOME SI

Color	Power (W/FT)	Lumens (lm/FT)	Efficacy (lm/W)
RGB	3.66	89	24
RGB27K	4.57	132	29
RGB30K	4.57	134	29
RGB40K	4.57	136	30



BL neonVIEW FLAT SI SC

CCT/Color	Power (W/FT)	Lumens (lm/FT)	Efficacy (lm/W)
2200K	3.66	106	29
2700K	3.66	128	35
3000K	3.66	135	37
3500K	3.66	132	36
4000K	3.66	141	39
5700K	3.66	128	35
Red	2.44	51	21
Green	3.66	132	36
Blue	3.66	26	7
Amber	2.44	47	19

BL neonVIEW FLAT SI RGBW

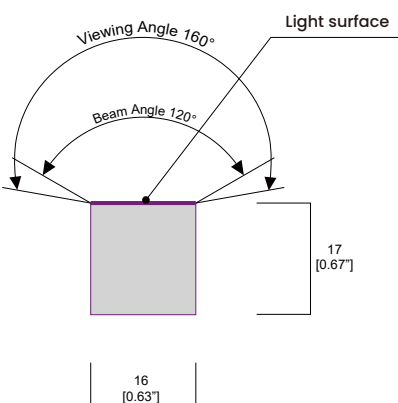
Color	Power (W/FT)	Lumens (lm/FT)	Efficacy (lm/W)
RGB	3.66	59	16
RGB27K	4.57	118	26
RGB30K	4.57	118	26
RGB40K	4.57	122	27

BL neonVIEW TUNABLE FLAT SI

CCT	Power (W/FT)	Lumens (lm/FT)	Efficacy (lm/W)
2200 (WW)		49	28
5700 (W)		58	33
WW + W	3.66	105	29

BL neonVIEW PIXEL FLAT SI

Color	Power (W/FT)	Lumens (lm/FT)	Efficacy (lm/W)
RGB	3.66	72	20
RGB27K	4.57	115	25
RGB30K	4.57	116	25
RGB40K	4.57	119	26



BL neonVIEW SIDE SI SC

CCT/Color	Power (W/FT)	Lumens (lm/FT)	Efficacy (lm/W)
2200K	3.66	156	43
2700K	3.66	185	50
3000K	3.66	191	52
4000K	3.66	202	55
5700K	3.66	194	53
Red	2.44	69	28
Green	3.66	185	51
Blue	3.66	42	12
Amber	2.44	67	27

BL neonVIEW SIDE SI RGBW

Color	Power (W/FT)	Lumens (lm/FT)	Efficacy (lm/W)
RGB	3.66	125	34
RGB27K	4.57	206	45
RGB30K	4.57	207	45
RGB40K	4.57	209	46

BL neonVIEW TUNABLE SIDE SI

CCT	Power (W/FT)	Lumens (lm/FT)	Efficacy (lm/W)
2200 (WW)		81	46
5700 (W)		99	55
WW + W	3.66	175	48

BL neonVIEW PIXEL SIDE SI

Color	Power (W/FT)	Lumens (lm/FT)	Efficacy (lm/W)
RGB	5	171	34
RGB27K	6.7	196	29
RGB30K	6.7	198	29
RGB40K	6.7	213	32

BL neonVIEW DOME RGB
3 City Center, Rochester, New York, USA

Up to ***130FT** on a single power feed!

Input Voltage
120VAC

BL neonVIEW LINE

*by daisy chaining 65FT lengths

BL neonVIEW LINE DOME
4000K

Performance

CCT/Color	Power (W/FT)	Lumens (lm/FT)
2200K	3.05	113
2700K	3.05	134
3000K	3.05	136
3500K	3.05	138
4000K	3.05	141
5700K	3.05	138
Red	3.05	82
Green	3.05	169
Blue	3.05	24

BL neonVIEW LINE HP
Hardwire Power Cable

BL neonVIEW LINE PP
Plugin Power Cable

BL neonVIEW LINE DOME 4000K IP65
Holiday Inn Express, Moss Point, MS, USA

Available in
Dome, Flat, and Side Options

BL neonVIEW LINE 120V

Achieve run lengths up to 130FT from a single 120V power cable! The flexible diffuser emits a dot free, high brightness, line of light that is available in multiple viewing angles, two bending directions, and an array of Kelvin temperatures and single color options. Double-injection molded terminations provide great weather protection, and cables are configurable for hard-wiring or simply plug and play.

Lighting

CCT	2200K 2700K 3000K 3500K 4000K 5700K
	Custom CCT available!
	Red Green Blue Amber
Power	3.05 W/FT
Beam	160°
Lumens	136 lm/FT (3000K)
Efficacy	45 lm/W (3000K)

Electrical

Input Voltage	120VAC
Connections	20AWG, Copper Conductors
Temp. Range	-4°F to 113°F (-20°C to 45°C)

Mechanical

Cutting Increments	3-9/32" (83.3mm)
Environmental	IP65
Length	3-9/32" (83.3mm)-130FT (40m)

Accessories

NVTK	Factory Installed, Seamless Injection Molded Termination Kit*
NVCHS	Surface Mounting Channel
NVRCHS	Recessed Mounting Channel**

The above information is based on DOME profile.
For detailed specifications on all BL neonVIEW LINE options, please visit bllighting.com

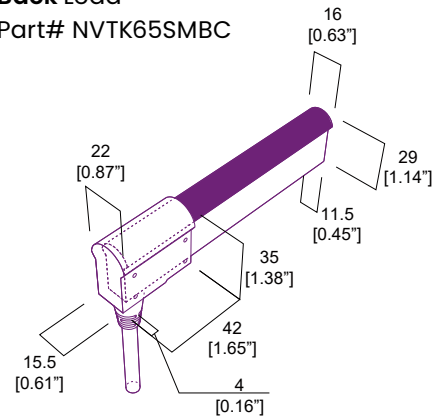
* For End, Back, and Side Lead Orientation Options, see page 33

** For More Mounting Options, see page 48

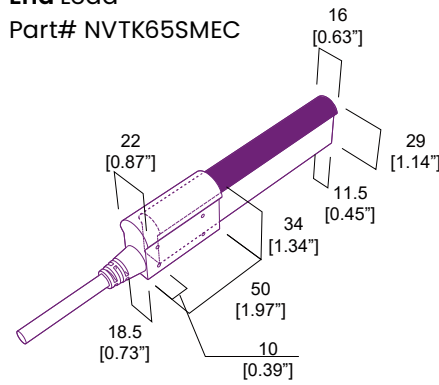
BL neonVIEW LINE DOME Dimensions & Accessories

Achieve endless lines of uniform light even in direct-view applications with our BL neonVIEW Termination Kits, adapted for line voltage use with dual-injection molded connections. With a multitude of lead orientation choices, you can keep termination lead wires hidden from sight and virtually eliminate shadows from in between individual 120V run lengths. All custom lead orientation options for BL neonVIEW LINE are dual-injection molded in our factory, providing superior weatherability, longevity, and seamless light delivery.

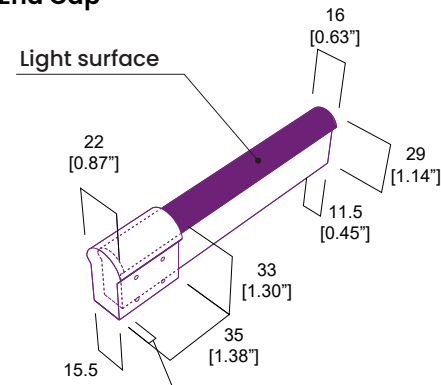
Back Lead
Part# NVTK65SMBC



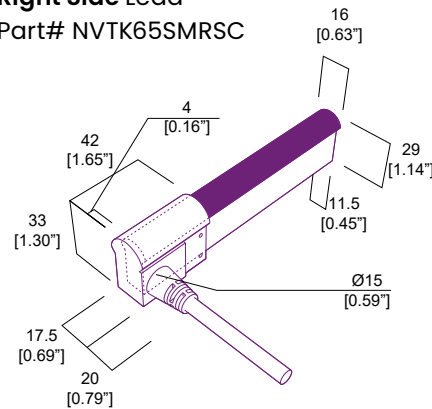
End Lead
Part# NVTK65SMEC



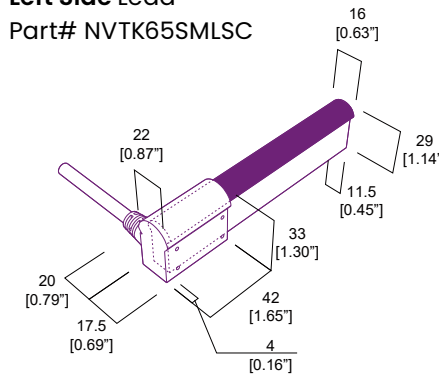
End Cap



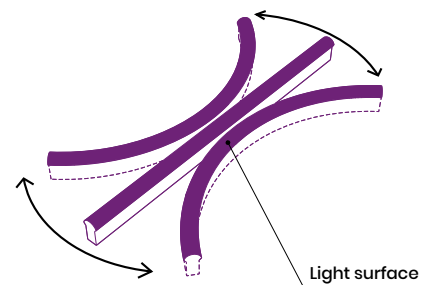
Right Side Lead
Part# NVTK65SMRSC



Left Side Lead
Part# NVTK65SMLSC

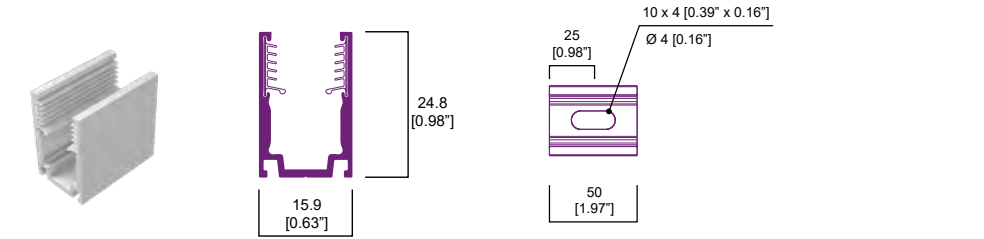


BL neonVIEW DOME bends horizontally

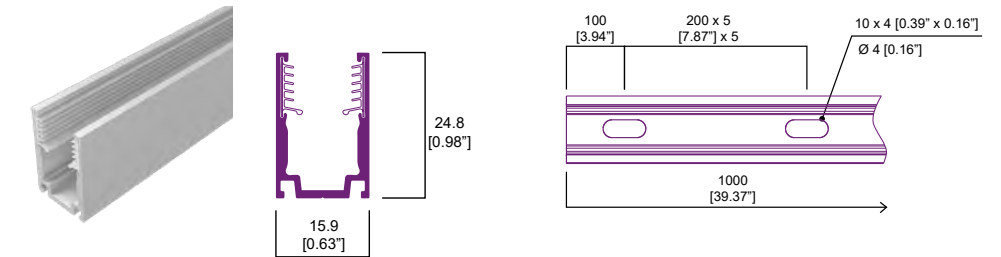


The above information is based on BL neonVIEW LINE DOME. Also available in FLAT and SIDE profiles. For detailed specifications on all BL neonVIEW LINE options, please visit bllighting.com

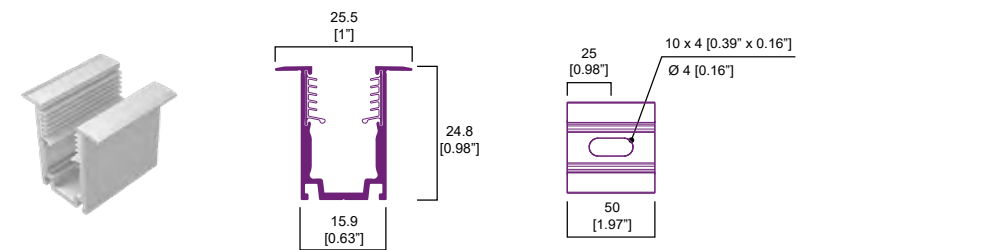
Surface Mounting Clip
Part# NVCPS



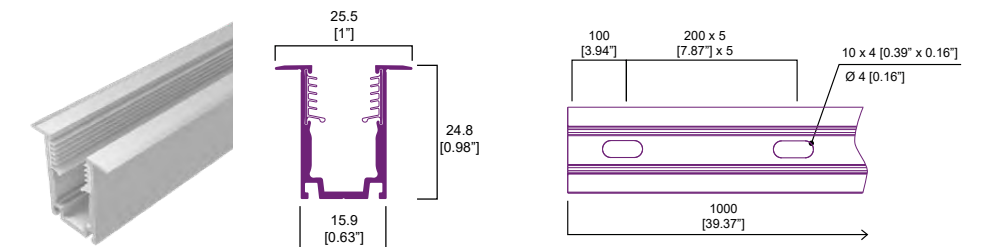
Surface Mounting Channel
Part# NVCHS



Recessed Mounting Clip
Part# NVRCS



Recessed Mounting Channel
Part# NVRCHS



BL neonVIEW MINI
FLAT SI SC

BL neonVIEW MINI FLAT SI SC MINI FLAT SILICONE
SINGLE COLOR

The flexible, perfectly flat shaped, Silicone encapsulated diffuser bends vertically and provides a dot free, vivid line of light, rendering uniform illumination up to CRI 95. The injection molded connections and minimal dimensions allow for seamless integration into even the tiniest of architectural features.

Lighting

CCT	2200K	2700K	3000K	3500K	4000K
	5700K	Custom CCT available!			
	Red	Green	Blue	Amber	
Power	1.37 W/FT				
Beam	120°				
Lumens	53 lm/FT (3000K)				
Efficacy	39 lm/W (3000K)				

Electrical

Controls	0-10V	MLV	ELV	Phase Cut
	Triac	DMX	Bluetooth	
Input Voltage	24VDC			
Connections	20AWG, Copper Conductors			
Temp. Range	-40°F to 131°F (-40°C to 55°C)			

Mechanical

Cutting Increments	3-9/32" (83.3mm)
Environmental	IP68
Length	3-9/32" (83.3mm)—59FT (18m)

Accessories

NVTK	Factory Installed, Seamless Injection Molded Termination Kit*
NVCHS	Surface Mounting Channel
NVRCHS	Recessed Mounting Channel**

* For End, Back, and Side Lead Orientation Options, see page 33

** For More Mounting Options, see page 54

Performance

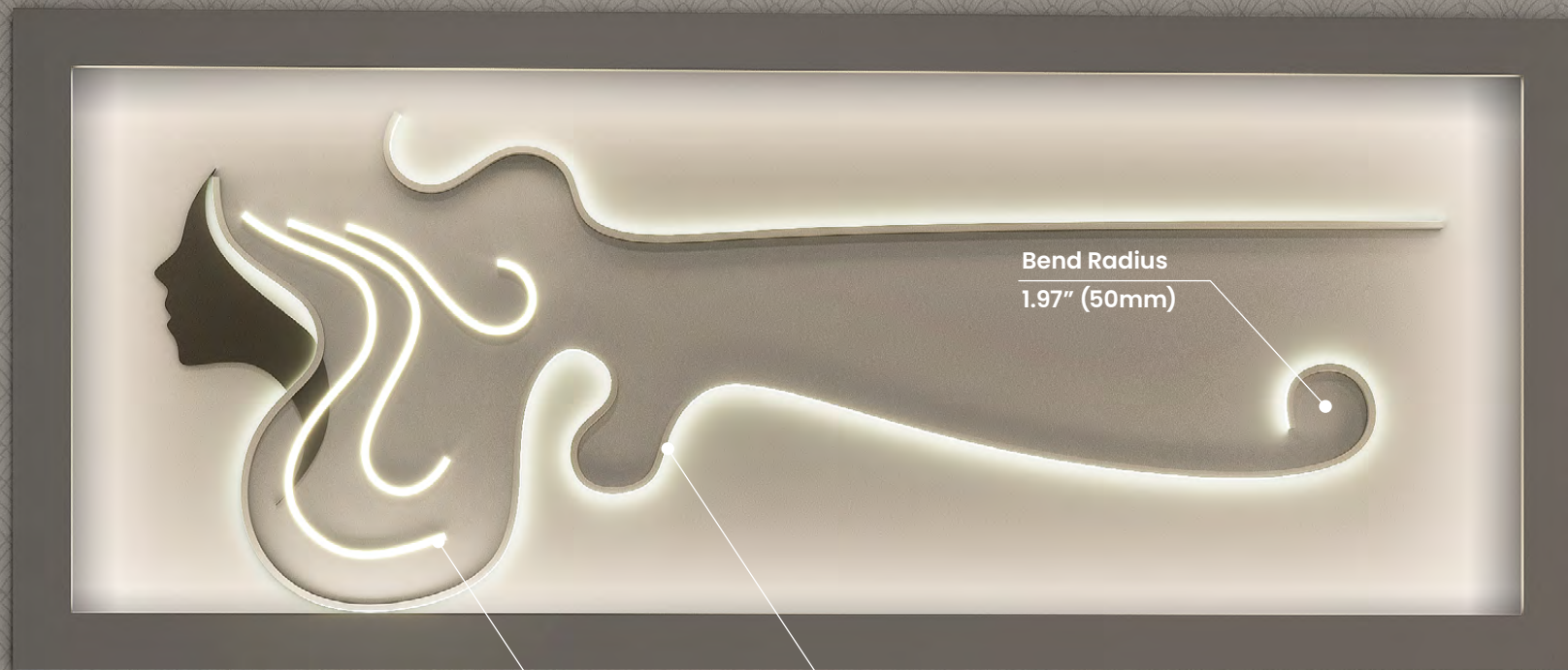
CCT/Color	Power (W/FT)	Lumens (lm/FT)
2200K	1.37	41
2700K	1.37	48
3000K	1.37	53
4000K	1.37	51
5700K	1.37	50
Red	1.07	20
Green	1.37	50
Blue	1.37	10
Amber	1.07	17

Bends horizontally



BL neonVIEW MINI FLAT SC IP68
*Right Side Lead

* Multiple Lead Orientation options are available see page 33 for more details



Bend Radius
1.97" (50mm)

BL neonVIEW MINI SIDE SI SC
Vertical Bend

BL neonVIEW MINI FLAT SI SC
Horizontal Bend



Bends Vertically



BL neonVIEW MINI SIDE SC IP68
*Right Side Lead

* Multiple Lead Orientation options are available
see page 33 for more details

Performance		
CCT/Color	Power (W/FT)	Lumens (lm/FT)
2200K	1.37	67
2700K	1.37	83
3000K	1.37	90
4000K	1.37	84
5700K	1.37	84
Red	1.37	31
Green	1.37	118
Blue	1.37	19
Amber	1.37	29

BL neonVIEW MINI SIDE SI SC MINI SIDE SILICONE SINGLE COLOR

The flexible, perfectly cube shaped, Silicone encapsulated diffuser bends vertically, and provides a dot free, vivid line of light, rendering uniform illumination up to CRI 95. The injection molded connections and minimal dimensions allow for seamless integration into even the tiniest of architectural features.

Lighting

CCT	2200K	2700K	3000K	3500K	4000K
	5700K	Custom CCT available!			
	Red	Green	Blue	Amber	
Power	1.37 W/FT				
Beam	120°				
Lumens	90 lm/FT (3000K)				
Efficacy	66 lm/W (3000K)				

Electrical

Controls	0-10V	MLV	ELV	Phase Cut
	Triac	DMX	Bluetooth	
Input Voltage	24VDC			
Connections	20AWG, Copper Conductors			
Temp. Range	-40°F to 131°F (-40°C to 55°C)			

Mechanical

Cutting Increments	3-9/32" (83.3mm)
Environmental	IP68
Length	3-9/32" (83.3mm)—59FT (18m)

Accessories

NVTK	Factory Installed, Seamless Injection Molded Termination Kit*
NVSCHS	Surface Mounting Channel
NVSRCHS	Recessed Mounting Channel**

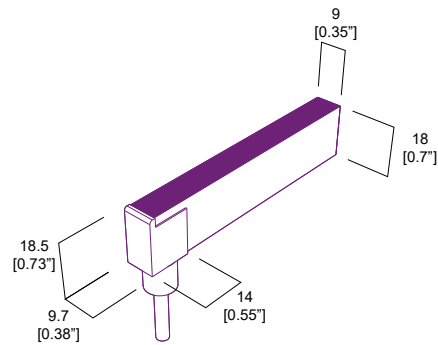
* For End, Back, and Side Lead Orientation Options, see page 33

** For More Mounting Options, see page 54

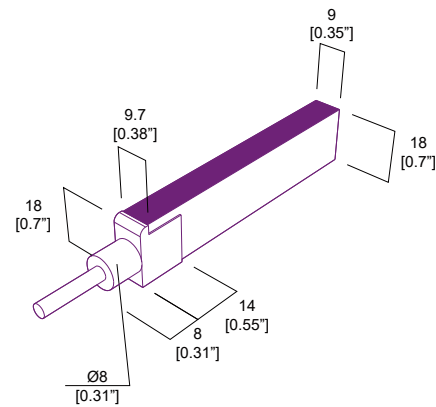
BL neonVIEW MINI FLAT SI SC Dimensions & Accessories

Achieve endless lines of uniform light even in direct-view applications with our standard IP68 Seamless BL neonVIEW Termination Kits. With a multitude of lead orientation choices, you can keep termination lead wires hidden from sight and eliminate shadows from in between individual run lengths. All custom lead orientation options are injection molded in our factory with invisible end caps to provide superior weatherability, longevity, and seamless light delivery.

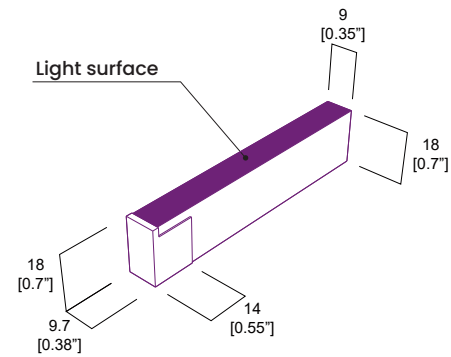
Back Lead
Part# NVTK68SMBC



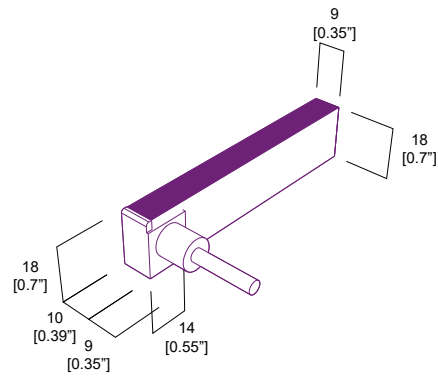
End Lead
Part# NVTK68SMEC



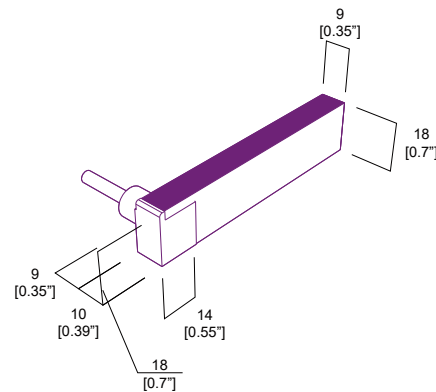
End Cap



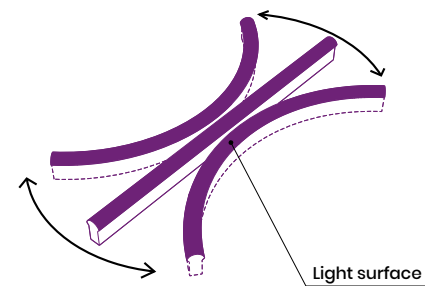
Right Side Lead
Part# NVTK68SMRSC



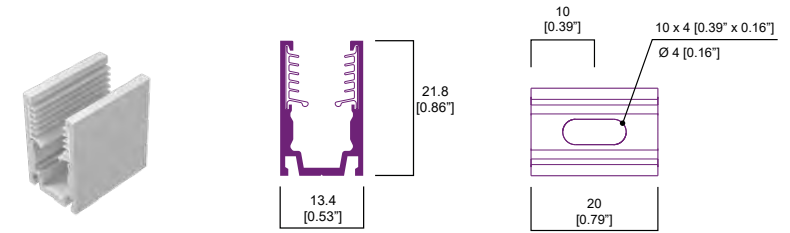
Left Side Lead
Part# NVTK68SMLSC



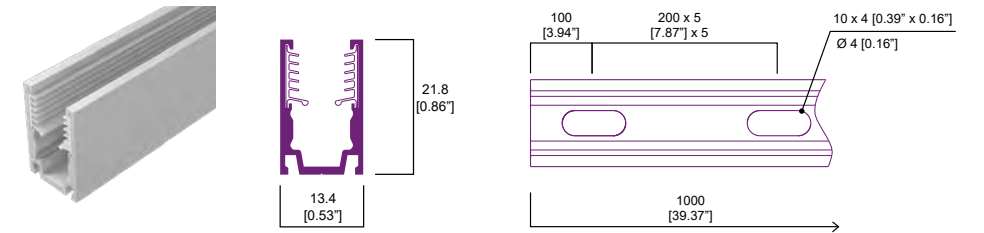
BL neonVIEW MINI FLAT bends horizontally



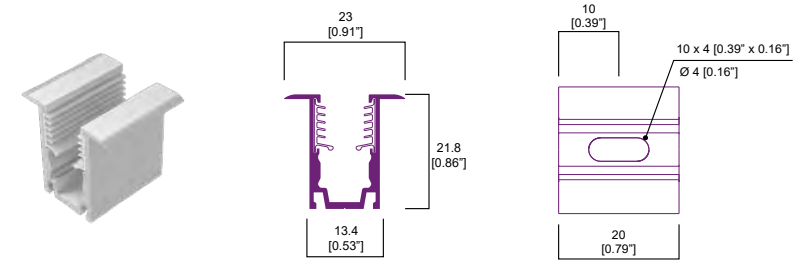
Surface Mounting Clip
Part# NVCPS



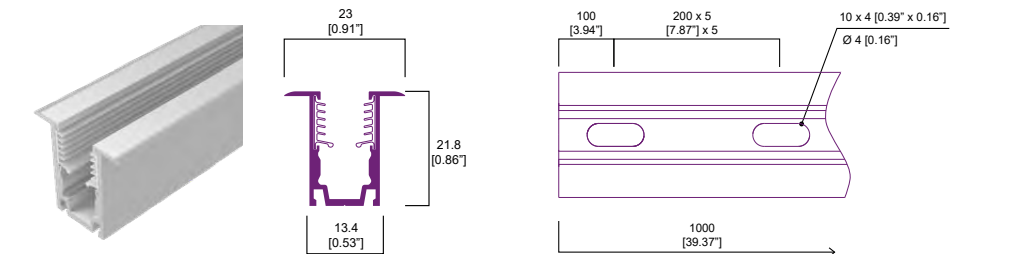
Surface Mounting Channel
Part# NVCHS



Recessed Mounting Clip
Part# NVRCS



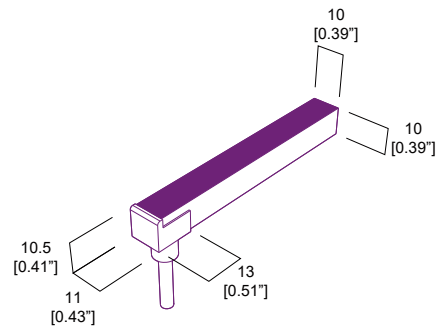
Recessed Mounting Channel
Part# NVRCHS



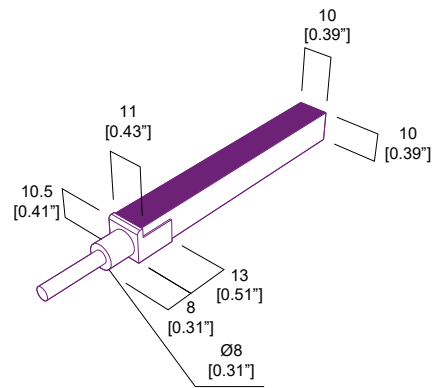
BL neonVIEW MINI SIDE SI SC Dimensions & Accessories

Achieve endless lines of uniform light even in direct-view applications with our standard IP68 Seamless BL neonVIEW Termination Kits. With a multitude of lead orientation choices, you can keep termination lead wires hidden from sight and eliminate shadows from in between individual run lengths. All custom lead orientation options are injection molded in our factory with invisible end caps to provide superior weatherability, longevity, and seamless light delivery.

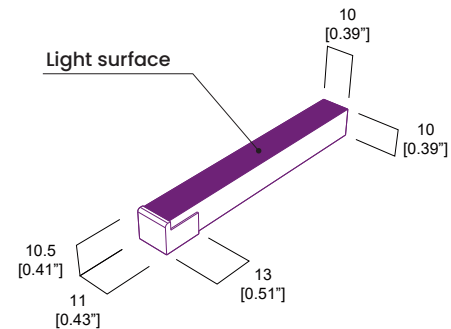
Back Lead
Part# NVTK68SMBC



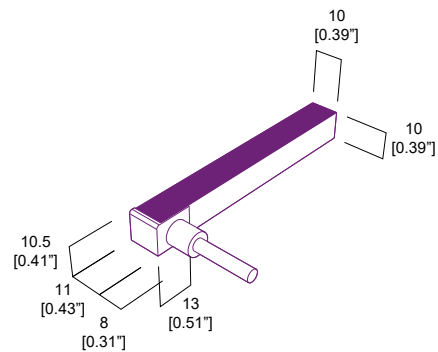
End Lead
Part# NVTK68SMEC



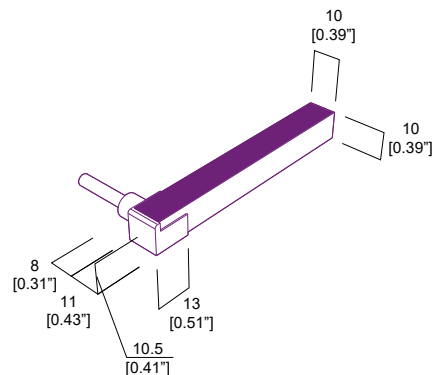
End Cap



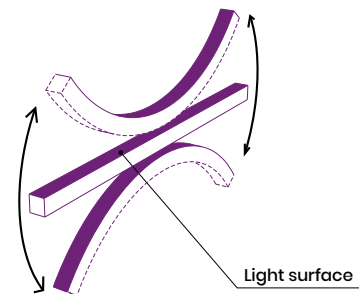
Right Side Lead
Part# NVTK68SMRSC



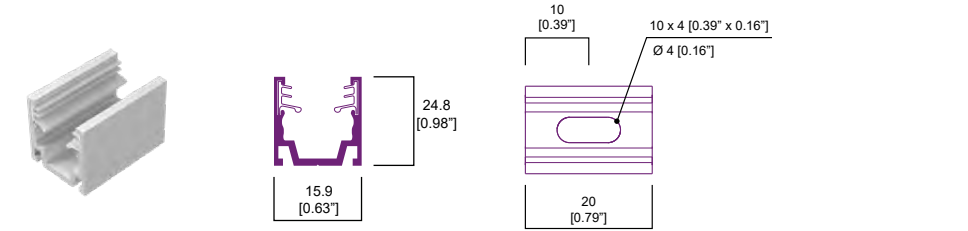
Left Side Lead
Part# NVTK68SMLSC



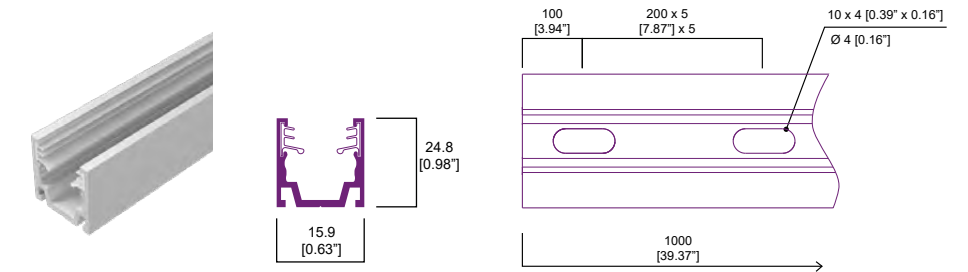
BL neonVIEW MINI SIDE bends vertically



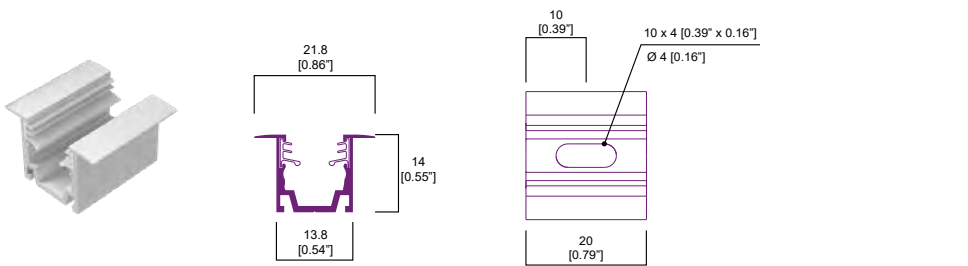
Surface Mounting Clip
Part# NVSCPS



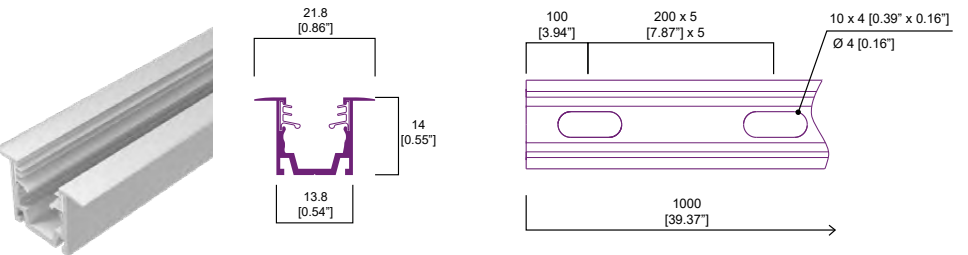
Surface Mounting Channel
Part# NVSCHS



Recessed Mounting Clip
Part# NVSRCS



Recessed Mounting Channel
Part# NVSRCHS



BL flexFORM Series

Our flexible linear LED strip provides high performance options in LED brightness, density, colors, and Kelvin temperatures, along with dynamic tunable white and RGB/RGBW, delivering stylish and uniform accent lighting solutions. Tailored lengths and different tape widths offer you options that fit everything from the smallest niche or cove, to large-scale landmark commercial lighting projects. Add BL flexFORM Channels for extra LED protection, light diffusion, and a polished finish. UL listed and available in a range of outdoor and indoor versions. Custom lengths are made to order and ready to ship in 72 hours or less!

BL flexFORM

D Series

D1, D2, D3, D4
32 lm/FT - 800 lm/FT

61-67

BL flexFORM

RGBW

Color Changing W=3000K
171 lm/FT

71

BL flexFORM

N2

Narrow 11/64" (4.5mm)
183 lm/FT

69

BL flexFORM

SIDE

Side Emitting
166 lm/FT

73

BL flexFORM

TUNABLE

Dynamic White
284 lm/FT

75

BL flexFORM

Dot-Free D2

Dot-Free
265 lm/FT

77

BL flexFORM

Dot-Free D3

Dot-Free
421 lm/FT

79

BL flexFORM

LINE D1

120V
146 lm/FT

81



Utilizing the versatility and durability of BL flexFORM RGBW, the Southpoint monument sign creates a dynamic that continuously alters its' color scheme.

BL flexFORM RGBW
Southpoint Sign, Victoria, BC, CANADA



Performance

CCT/Color	Power (W/FT)	Lumens (lm/FT)
2400K	1.45	90
3000K	1.45	120
3500K	1.45	123
4000K	1.45	132
5500K	1.45	119
Red	1.45	15
Green	1.65	56
Blue	1.65	17
Amber	1.45	27

BL flexFORM
D1 3000K

BL flexFORM D1 3000K IP65

BL flexFORM D1

Delivering up to 132 lm/FT, our flexible, dimmable, LED strip is perfect for architectural highlighting and certified for indoor and outdoor use. Add energy efficient accents to coves, under cabinets, bar shelving, and displays, in commercial, residential, and retail environments. Compatible with BL fixFORM Profiles, and UL listed, custom lengths ship within 1-2 days!

Lighting

CCT	2400K	3000K	3500K	4000K	5500K
	Red	Green	Blue	Amber	
CRI	95 (3000K)				
Power	1.45–1.65 W/FT				
Beam Angle	120°				
Lumens	132 lm/FT (4000K)				
Efficacy	90 lm/W (4000K)				

Electrical

Controls	0-10V	MLV	ELV	Triac	Phase Cut
	DMX	Bluetooth			
Input Voltage	24VDC				
Connections	20AWG, Copper Conductors				
Temp. Range	-4°F to 104°F (-20°C to 40°C)				

Mechanical

Cutting Increments	3-15/16" (100mm)		
# of LEDs	18/FT (60/m)		
Roll Length	32'-8" (10m)		
Environmental	IP20	IP65	IP68

Accessories

DSTK	Factory Installed Termination Kit
DSJC	Factory Installed Jumper Cable
FFCP	Surface Mounting Clip
SF20	Surface Mounting Channel
ADH5510	High-Tack Surface Adhesive

BL fixFORM Surface & Recessed Profiles - page 98

Specifications subject to change without notice.
Please refer to our website at blighting.com for current technical data.

BL flexFORM Series 61

BL flexFORM D2

Delivering up to 240 lm/FT, and certified for indoor and outdoor use, our flexible, dimmable, LED strip has a cutting increment of less than 2", for integration into the most detailed designs. Add architectural accents to coves, under cabinets, bar shelving and displays, in commercial, residential, and retail environments. Compatible with BL fixFORM Profiles, and UL listed, custom lengths ship within 1-2 days!

Lighting

CCT	2000K	2400K	2700K	3000K
	3500K	4000K	5500K	
	Red	Green	Blue	Amber
CRI	95 (3000K)			
Power	2.6–3.4W/FT			
Beam Angle	120°			
Lumens	240 lm/FT (3500K)			
Efficacy	82 lm/W (3500K)			

Electrical

Controls	0-10V	MLV	ELV	Triac	Phase Cut
	DMX	Bluetooth			
Input Voltage	24VDC				
Connections	20AWG, Copper Conductors				
Temp. Range	-4°F to 104°F (-20°C to 40°C)				

Mechanical

Cutting Increments	1-31/32" (50mm)
# of LEDs	36/FT (120/m)
Roll Length	29' (8.8m) to 32'-8" (10m)
Environmental	IP20 IP65

Accessories

DSTK	Factory Installed Termination Kit
DSJC	Factory Installed Jumper Cable
FFCP	Surface Mounting Clip
SF20	Surface Mounting Channel
ADH5510	High-Tack Surface Adhesive

BL fixFORM Surface & Recessed Profiles - page 98

Specifications subject to change without notice.
Please refer to our website at billighting.com for current technical data.

BL flexFORM
D2 3000K
BL fixFORM Recessed 2626

Performance

CCT/Color	Power (W/FT)	Lumens (lm/FT)
2000K	3.5	149
2400K	3	162
2700K	2.6	179
3000K	3	239
3500K	3	240
4000K	3	220
5500K	3	214
Red	3	30
Green	3.3	114
Blue	3.4	36
Amber	2.8	51

BL flexFORM D2 3000K IP65

BL flexFORM D2 3000K IP65, BL fixFORM Recessed 2626
Off-White Retail Store, Vancouver, BC, CANADA



BL flexFORM
D3 4000K

Performance

CCT	Power (W/FT)	Lumens (lm/FT)
3000K	5.50	370
4000K	5.50	411
6000K	5.50	397

BL flexFORM D3 4000K
River Rock Casino, Richmond, BC, CANADA



BL flexFORM D3 3000K IP65

BL flexFORM D3

Delivering up to 411 lm/FT, our flexible, dimmable, LED strip is perfect for architectural highlighting, and certified for indoor and outdoor use. Add energy efficient accents to coves, under cabinets, bar shelving, and displays, in commercial, residential, and retail environments. Compatible with BL fixFORM Profiles, and UL listed, custom lengths ship within 1-2 days!

Lighting

CCT	3000K	4000K	6000K
CRI	98 (3000K)		
Power	5.5W/FT		
Beam Angle	120°		
Lumens	411 lm/FT (4000K)		
Efficacy	78 lm/W (4000K)		

Electrical

Controls	0-10V	MLV	ELV	Triac	Phase Cut
	DMX	Bluetooth			
Input Voltage	24VDC				
Connections	20AWG, Copper Conductors				
Temp. Range	-4°F to 104°F (-20°C to 40°C)				

Mechanical

Cutting Increments	2-31/64" (63mm)		
# of LEDs	28/FT (94/m)		
Roll Length	16'-4" (5m)		
Environmental	IP20	IP65	IP68

Accessories

DSTK	Factory Installed Termination Kit
DSJC	Factory Installed Jumper Cable
FFCP	Surface Mounting Clip
SF20	Surface Mounting Channel
ADH5510	High-Tack Surface Adhesive

BL fixFORM Surface & Recessed Profiles - page 98

BL flexFORM
D4 3000K

Performance

CCT	Power (W/FT)	Lumens (lm/FT)
3000K	8.00	800
4000K	8.00	800



BL flexFORM D4 3000K IP65

BL flexFORM D4

Delivering 800 lm/FT, our flexible, dimmable, LED strip is vivid enough for general illumination, and certified for indoor and outdoor use. Add architectural accents to coves, under cabinets, bar shelving, and displays, in commercial, residential, and retail environments. Compatible with BL fixFORM Profiles, and UL listed, custom lengths ship within 1-2 days!

Lighting

CCT	3000K 4000K
CRI	94 (3000K)
Power	8W/FT
Beam Angle	120°
Lumens	800 lm/FT
Efficacy	100 lm/W

Electrical

Controls	0-10V MLV ELV Triac Phase Cut
	DMX Bluetooth
Input Voltage	24VDC
Connections	20AWG, Copper Conductors
Temp. Range	-4°F to 104°F (-20°C to 40°C)

Mechanical

Cutting Increments	2-3/4" (70mm)
# of LEDs	30/FT (100/m)
Roll Length	11' (3.3m)
Environmental	IP20 IP65

Accessories

DSTK	Factory Installed Termination Kit
DSJC	Factory Installed Jumper Cable
FFCP	Surface Mounting Clip
SF20	Surface Mounting Channel
ADH5510	High-Tack Surface Adhesive

BL fixFORM Surface & Recessed Profiles - page 98

Specifications subject to change without notice. Please refer to our website at billighting.com for current technical data.



BL flexFORM
N2 3000K

BL flexFORM
N2 3000K

BL flexFORM N2 3000K IP20

Performance

CCT	Power (W/FT)	Lumens (lm/FT)
3000K	1.85	180
3500K	1.85	182
4000K	1.85	183

BL flexFORM N2

Delivering up to 183 lm/FT in a narrow 11/64" (4.5mm) profile, our flexible, dimmable, LED strip seamlessly integrates into the most detailed designs. Add architectural accents to niches, coves, bar shelving and displays, in commercial, residential, and retail environments. Compatible with BL fixFORM Profiles, and UL listed, custom lengths ship within 1-2 days!

Lighting

CCT	3000K	3500K	4000K
CRI	93 (3000K)		
Power	1.85 W/FT		
Beam Angle	120°		
Lumens	183 lm/FT		
Efficacy	100 lm/W		

Electrical

Controls	0-10V	MLV	ELV	Triac	Phase Cut
	DMX	Bluetooth			
Input Voltage	24VDC				
Connections	20AWG, Copper Conductors				
Temp. Range	-4°F to 104°F (-20°C to 40°C)				

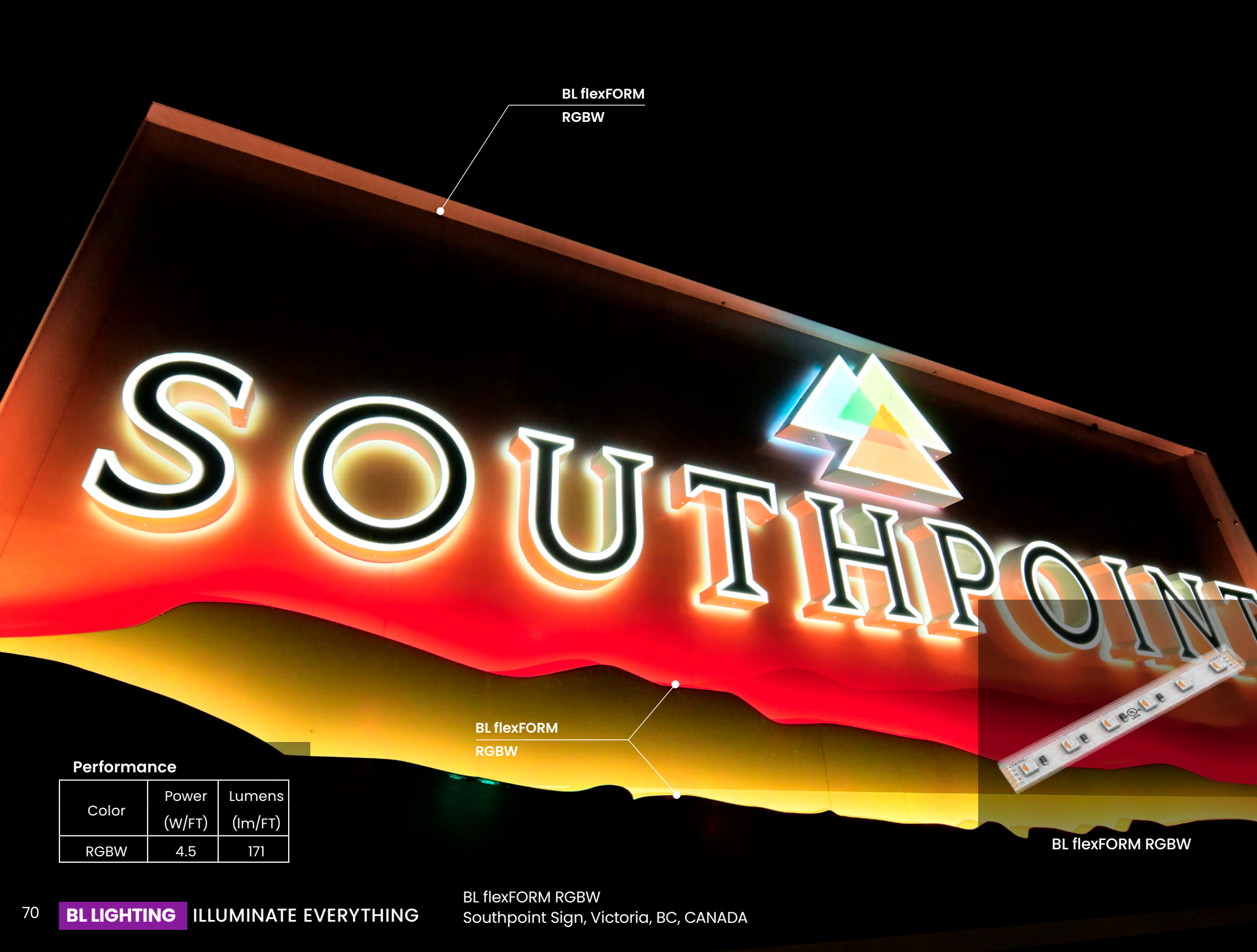
Mechanical

Cutting Increments	1-31/32" (50mm)
# of LEDs	42/FT (140/m)
Roll Length	32'-8" (10m)
Environmental	IP20 IP65

Accessories

DSTK	Factory Installed Termination Kit
DSJC	Factory Installed Jumper Cable
FFCP	Surface Mounting Clip
NSC	Surface Mount Narrow Square Channel
ADH5510	High-Tack Surface Adhesive

BL fixFORM Surface & Recessed Profiles - page 98



BL flexFORM
RGBW

BL flexFORM
RGBW

BL flexFORM RGBW

Performance

Color	Power (W/FT)	Lumens (lm/FT)
RGBW	4.5	171

BL flexFORM RGBW

Integrating highly controllable RGB and true white CCT diodes into a single, dynamic chip, our flexible RGBW LED strip is perfect for architectural accenting, and certified for indoor and outdoor use. Add color changing effects to coves, under cabinets, bar shelving, and displays, in commercial, residential, and retail environments. Compatible with BL fixFORM Profiles, and UL listed, custom lengths ship within 1-2 days!

Lighting

CCT	RGBW
CRI	95 (3000K)
Power	4.5W/FT
Beam Angle	120°
Lumens	171 lm/FT
Efficacy	36 lm/W

Electrical

Controls	DMX	Bluetooth
Input Voltage	24VDC	
Connections	20AWG, Copper Conductors	
Temp. Range	-4°F to 104°F (-20°C to 40°C)	

Mechanical

Cutting Increments	3-15/16" (100mm)	
# of LEDs	18/FT (60/m)	
Roll Length	16'-4" (5m)	
Environmental	IP20	IP65

Accessories

DSTK	Factory Installed Termination Kit
DSJC	Factory Installed Jumper Cable
FFCP	Surface Mounting Clip
SF20	Surface Mounting Channel
ADH5510	High-Tack Surface Adhesive

BL fixFORM Surface & Recessed Profiles - page 98



BL flexFORM
SIDE 3000K

Performance

CCT	Power (W/FT)	Lumens (lm/FT)
3000K	3.00	166
3500K	3.00	179
4000K	3.00	182

BL flexFORM SIDE 3000K IP65

BL flexFORM SIDE

Delivering up to 182 lm/FT, our flexible, dimmable, LED strip features side-emitting diodes that disperse light from the edge, for easy integration into complex shapes, such as circular coves, contours and height restricted spaces. Add architectural accents to niches, coves, bar shelves and displays, in commercial, residential, and retail environments. Certified for indoor and outdoor use, and UL listed, custom lengths ship within 1-2 days!

Lighting

CCT	3000K	3500K	4000K
CRI	94 (3000K)		
Power	3W/FT		
Beam Angle	120°		
Lumens	182 lm/FT (4000K)		
Efficacy	63 lm/W (4000K)		

Electrical

Controls	0-10V	MLV	ELV	Triac	Phase Cut
	DMX	Bluetooth			
Input Voltage	24VDC				
Connections	20AWG, Copper Conductors				
Temp. Range	-4°F to 104°F (-20°C to 40°C)				

Mechanical

Cutting Increments	1-31/32" (50mm)
# of LEDs	36/FT (120/m)
Roll Length	16'-4" (5m)
Environmental	IP20 IP65

Accessories

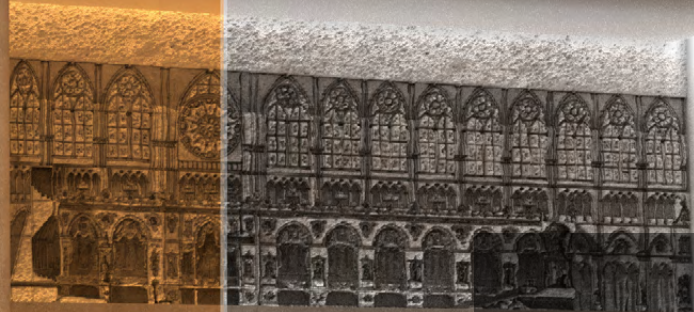
DSTK	Factory Installed Termination Kit
DSJC	Factory Installed Jumper Cable
FFCP	Surface Mounting Clip
ADH5510	High-Tack Surface Adhesive

Specifications subject to change without notice. Please refer to our website at blighting.com for current technical data.

1800K

2700K

6500K



BL flexFORM TUNABLE

Performance

CCT	Power (W/FT)	Lumens (lm/FT)
1800K	2.0	133
2700K	2.0	143
6500K	1.9	152

BL flexFORM TUNABLE

Delivering up to 428 lm/FT, our flexible, dimmable, tunable LED strip features controllable diodes that allow users to select a preferred CCT and change LED intensity, easily customizing the mood, and adapting the light to any ambiance. Certified for indoor and outdoor use, add architectural accents to coves, under cabinets, bar shelving, and displays, in commercial, residential, and retail environments. Compatible with BL fixFORM Profiles, and UL listed, custom lengths ship within 1-2 days!

Lighting

CCT	1800K–6500K
CRI	95 (3000K)
Power	5.9W/FT
Beam Angle	120°
Lumens	428 lm/FT
Efficacy	73 lm/W

Electrical

Controls	DMX	Bluetooth
Input Voltage	24VDC	
Connections	20AWG, Copper Conductors	
Temp. Range	-4°F to 104°F (-20°C to 40°C)	

Mechanical

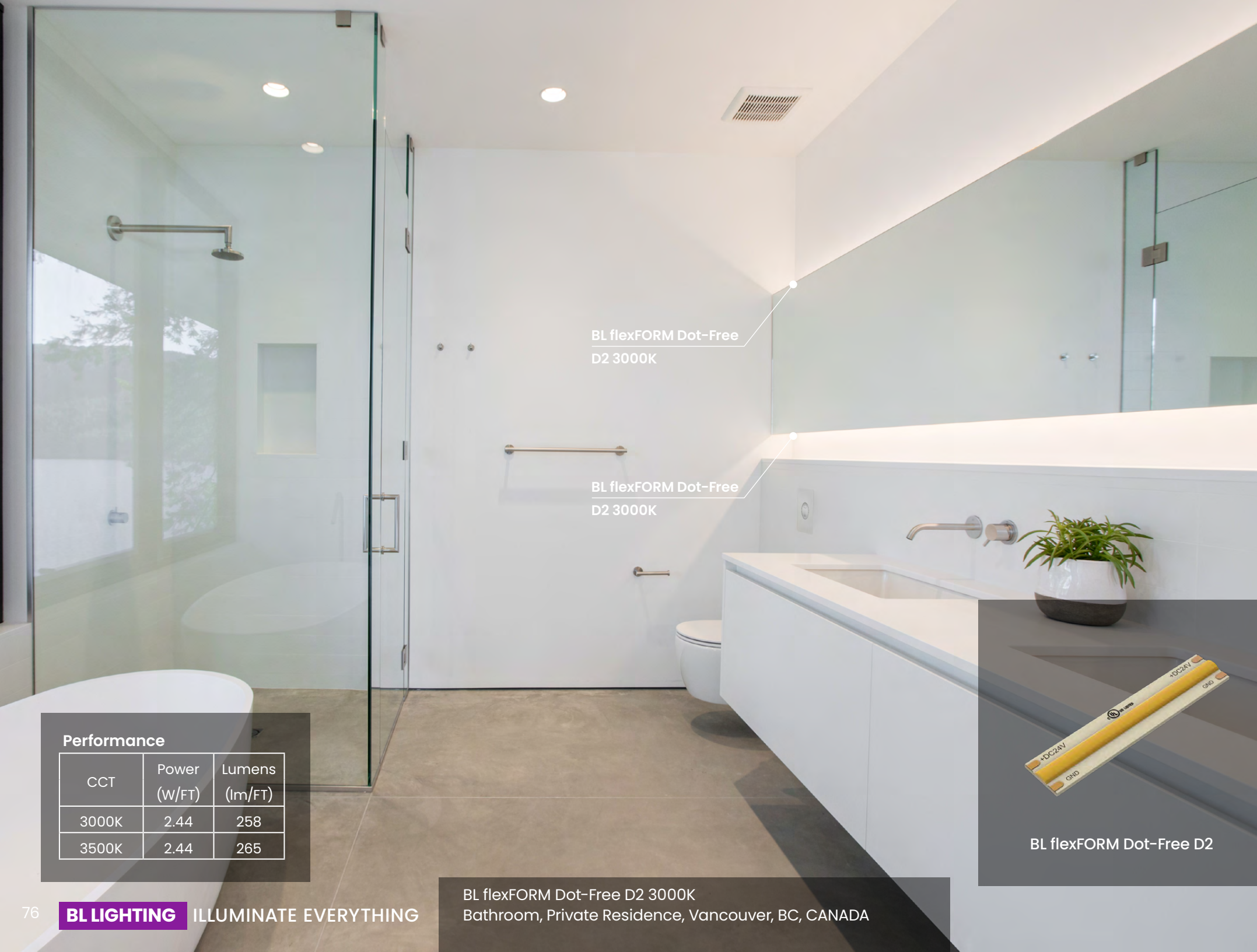
Cutting Increments	2-51/64" (71mm)	
# of LEDs	77/FT (253/m)	
Roll Length	16'-4" (5m)	
Environmental	IP20	IP65

Accessories

DSTK	Factory Installed Termination Kit
DSJC	Factory Installed Jumper Cable
FFCP	Surface Mounting Clip
SF20	Surface Mounting Channel
ADH5510	High-Tack Surface Adhesive

BL fixFORM Surface & Recessed Profiles - page 98

Specifications subject to change without notice. Please refer to our website at blighting.com for current technical data.



BL flexFORM Dot-Free
D2 3000K

BL flexFORM Dot-Free
D2 3000K

BL flexFORM Dot-Free D2

Performance

CCT	Power (W/FT)	Lumens (lm/FT)
3000K	2.44	258
3500K	2.44	265

BL flexFORM Dot-Free D2 3000K
Bathroom, Private Residence, Vancouver, BC, CANADA

BL flexFORM Dot-Free D2

Delivering up to 265 lm/FT, our flexible, dimmable LED strip shines a continuous ribbon of diffused illumination, ideal for highly reflective surfaces such as marble countertops and high gloss tiles. Easily integrate architectural accents into tight and height restricted spaces, with no additional diffuser lens required to achieve smooth, uniform illumination. UL listed for indoor and outdoor use, and custom lengths ship within 1-2 days!

Lighting

CCT	3000K	3500K
CRI	91	
Power	2.44 W/FT	
Beam Angle	120°	
Lumens	265 lm/FT (3500K)	
Efficacy	102 lm/W (3500K)	

Electrical

Control	0-10V	MLV	ELV	Triac	Phase Cut
	DMX	Bluetooth			
Input Voltage	24VDC				
Connections	20AWG, Copper Conductors				
Temp. Range	-4°F to 104°F (-20°C to 40°C)				

Mechanical

Cutting Increments	1-31/32" (50mm)	
# of LEDs	146/FT (480/m)	
Roll Length	16'-4" (5m)	
Environmental	IP20	IP65

Accessories

DSTK	Factory Installed Termination Kit
DSJC	Factory Installed Jumper Cable
ADH406	High-Tack Surface Adhesive

BL flexFORM Surface & Recessed Profiles - page 98

Specifications subject to change without notice. Please refer to our website at billighting.com for current technical data.



BL flexFORM Dot-Free
D3 3000K

BL flexFORM Dot-Free
D3 3000K



BL flexFORM Dot-Free D3

Performance

CCT	Power (W/FT)	Lumens (lm/FT)
3000K	4.4	419
3500K	4.4	421

BL flexFORM Dot-Free D3 3000K
Bathroom, Private Residence, Vancouver, BC, CANADA

BL flexFORM Dot-Free D3

Delivering up to 421 lm/FT, our flexible, dimmable LED strip shines a continuous ribbon of diffused illumination, ideal for highly reflective surfaces such as marble countertops and high gloss tiles. Easily integrate architectural accents into tight and height restricted spaces, with no additional diffuser lens required to achieve smooth, uniform illumination. UL listed for indoor and outdoor use, and custom lengths ship within 1-2 days!

Lighting

CCT	3000K	3500K
CRI	91	
Power	4.40 W/FT	
Beam Angle	120°	
Lumens	421 lm/FT (3500K)	
Efficacy	101 lm/W (3500K)	

Electrical

Control	0-10V	MLV	ELV	Triac	Phase Cut
	DMX	Bluetooth			
Input Voltage	24VDC				
Connections	20AWG, Copper Conductors				
Temp. Range	-4°F to 104°F (-20°C to 40°C)				

Mechanical

Cutting Increments	1-31/32" (50mm)	
# of LEDs	146/FT (480/m)	
Roll Length	16'-4" (5m)	
Environmental	IP20	IP65

Accessories

DSTK	Factory Installed Termination Kit
DSJC	Factory Installed Jumper Cable
ADH406	High-Tack Surface Adhesive

BL flexFORM Surface & Recessed Profiles - page 98

Specifications subject to change without notice. Please refer to our website at blighting.com for current technical data.

BL flexFORM LINE D1

Continuous run lengths up to 150FT are achievable on a single plug, with our flexible, 120V LED strip. Perfect for architectural accents and certified for indoor and outdoor use, easily add highlights to soffits, coves, under cabinets, bar shelving and displays, in commercial, residential, and retail environments. 146 lm/FT light delivery, simple to install with mounting clips or channel, and UL listed, custom lengths ship within 1-2 days!

Lighting

CCT	3000K	4000K
CRI	96 (3000K)	
Power	2.5W/FT	
Beam Angle	120°	
Lumens	146 lm/FT (4000K)	
Efficacy	58 lm/W (4000K)	

Electrical

Input Voltage	120VAC
Connections	Male Socket Plug
Temp. Range	-4°F to 104°F (-20°C to 40°C)

Mechanical

Cutting Increments	17-23/32" (450mm)
# of LEDs	20/FT (66/m)
Roll Length	150' (45.7m)
Environmental	IP65

Accessories

LNTK	Factory Installed Termination Kit
LNJC	Factory Installed Jumper Cable
LNTRK	Mounting Track
FFCP	Surface Mounting Clip

BL flexFORM
LINE D1 3000K

BL flexFORM
LINE D1 3000K

BL flexFORM LINE D1 3000K IP65

Performance

CCT	Power (W/FT)	Lumens (lm/FT)
3000K	2.50	134
4000K	2.50	146

BL flexFORM Series Dimensions and Performance

For more information, visit our product resources page.
www.bllighting.com/resources

Cuttable every **3-15/16" (100mm)**
 # of LEDs 18/FT (60/m)



IP20 : 3-15/16" x 5/16" x 1/16" (100mm x 8mm x 1.6mm)
 IP65,68 : 3-15/16" x 15/32" x 11/64" (100mm x 12mm x 4.5mm)

BL flexFORM D1
 Standard Density
132 lm/FT

Cuttable every **1-31/32" (50mm)**
 # of LEDs 36/FT (120/m)



IP20 : 1-31/32" x 5/16" x 1/16" (50mm x 8mm x 1.6mm)
 IP65 : 1-31/32" x 35/64" x 11/64" (50mm x 14mm x 4.5mm)

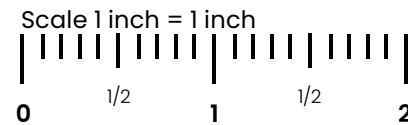
BL flexFORM D2
 High Density
240 lm/FT

Cuttable every **2-31/64" (63mm)**
 # of LEDs 28/FT (94/m)



IP65,68 : 2-31/64" x 37/64" x 15/64" (63mm x 14.5mm x 6mm)

BL flexFORM D3
 High Lumens
411 lm/FT



BL flexFORM D1

CCT	2400K	3000K	3500K	4000K	5500K	Red	Green	Blue	Amber
IP20	○	○	○	○	○	○	○	○	○
IP65	○	○		○	○	○	○	○	○
IP68		○		○					
Power W/FT	1.45	1.45	1.45	1.45	1.45	1.45	1.65	1.65	1.45
Lumens lm/FT	90	120	123	132	119	15	56	17	27
Roll Length	32'-8"	32'-8"	32'-8"	32'-8"	32'-8"	32'-8"	32'-8"	32'-8"	32'-8"

BL flexFORM D2

CCT	2000K	2400K	2700K	3000K	3500K	4000K	5500K	Red	Green	Blue	Amber
IP20	○	○	○	○	○	○	○	○	○	○	○
IP65	○	○	○	○	○	○	○	○	○	○	○
Power W/FT	3.50	3.00	2.60	3.00	3.00	3.00	3.00	3.00	3.30	3.40	2.80
Lumens lm/FT	149	162	179	239	240	220	214	30	114	36	51
Roll Length	32'-8"	32'-8"	32'-8"	32'-8"	32'-8"	32'-8"	32'-8"	32'-8"	32'-8"	32'-8"	32'-8"

BL flexFORM D3

CCT	3000K	4000K	6000K
IP20	○	○	○
IP65	○	○	○
IP68	○	○	○
Power W/FT	5.50	5.50	5.50
Lumens lm/FT	370	411	397
Roll Length	16'-4"	16'-4"	16'-4"

BL flexFORM

Input Voltage
24VDC

Connections
20AWG, Copper Conductors

Temperature Range
-4°F to 104°F (-20°C to 40°C)

Circuit
Class 2

BL flexFORM Series Dimensions and Performance

For more information, visit our product resources page.
www.bllighting.com/resources

Cuttable every **2-3/4" (70mm)**
 # of LEDs 30/FT (100/m)



IP20 : 2-3/4" x 15/32" x 3/64" (70mm x 12mm x 1.25mm)
 IP65 : 2-3/4" x 5/8" x 7/32" (70mm x 16mm x 5.5mm)

BL flexFORM D4
 Ultra Bright
 800 lm/FT

Cuttable every **1-31/32" (50mm)**
 # of LEDs 42/FT (140/m)



IP20 : 1-31/32" x 11/64" x 1/16" (50mm x 4.5mm x 1.6mm)
 IP65 : 1-31/32" x 9/32" x 11/64" (50mm x 7.0mm x 4.5mm)

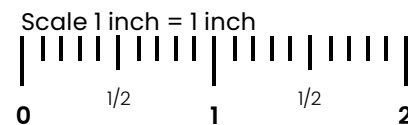
BL flexFORM N2
 Narrow
 183 lm/FT

Cuttable every **3-15/16" (100mm)**
 # of LEDs 18/FT (60/m)



IP65 : 3-15/16" x 15/32" x 5/32" (100mm x 12mm x 4mm)

BL flexFORM RGBW
 Color Changing
 W=3000K



BL flexFORM D4

CCT	3000K	4000K
IP20	○	○
IP65	○	○
Power W/FT	8.00	8.00
Lumens lm/FT	800	800
Roll Length	11'	11'

BL flexFORM N2

CCT	3000K	3500K	4000K
IP20	○	○	○
IP65	○	○	○
Power W/FT	1.85	1.85	1.85
Lumens lm/FT	180	182	183
Roll Length	32'-8"	32'-8"	32'-8"

BL flexFORM RGBW

CCT	RGBW
IP20	○
IP65	○
Power W/FT	4.5
Lumens lm/FT	171
Max. Run Length	16'-4"



BL flexFORM DI 3000K IP65
 Grayson Apt, Vancouver, BC, CANADA

BL flexFORM Series Dimensions and Performance

For more information, visit our product resources page.
www.bllighting.com/resources

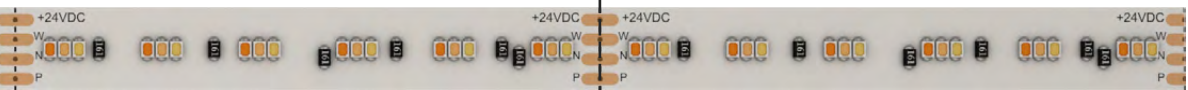
Cuttable every **1-31/32" (50mm)**
 # of LEDs 36/FT (120/m)



IP65 : 1-31/32" x 7/16" x 5/32" (50mm x 11mm x 4mm)

BL flexFORM SIDE
 Side Emitting
166 lm/FT

Cuttable every **2-51/64" (71mm)**
 # of LEDs 77/FT (253/m)



IP20 : 2-51/64" x 25/64" x 15/64" (71mm x 10mm x 6mm)

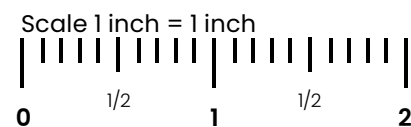
BL flexFORM TUNABLE
 Tunable White
428 lm/FT

Cuttable every **17-23/32" (450mm)**
 # of LEDs 20/FT (60/m)



IP65 : 17-23/32" x 37/64" x 21.64" (450mm x 14.7mm x 8.3mm)

BL flexFORM LINE D1
 120V
146 lm/FT



BL flexFORM SIDE

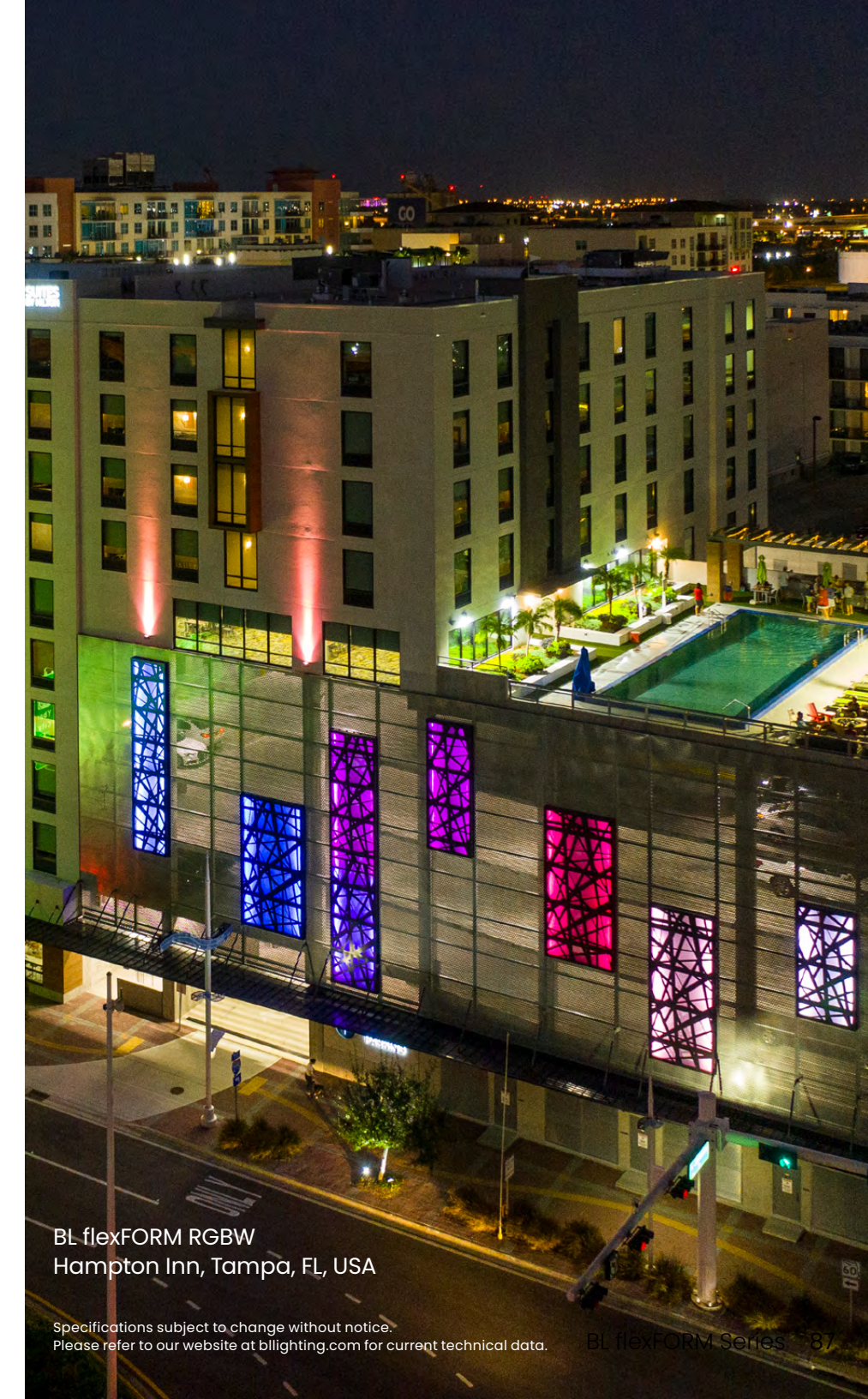
CCT	3000K	3500K	4000K
IP20	○	○	○
IP65	○	○	○
Power W/FT	3	3	3
Lumens lm/FT	166	179	182
Max. Run Length	16'-4"	16'-4"	16'-4"

BL flexFORM TUNABLE

CCT	1800K-6500K
IP20	○
IP65	○
Power W/FT	5.9
Lumens lm/FT	428
Max. Run Length	16'-4"

BL flexFORM LINE D1

CCT	3000K	4000K
IP65	○	○
Power W/FT	2.5	2.5
Lumens lm/FT	134	146
Max. Run Length	150'	150'



BL flexFORM RGBW
 Hampton Inn, Tampa, FL, USA

Specifications subject to change without notice.
 Please refer to our website at bllighting.com for current technical data.

BL flexFORM Series 387

BL flexFORM Series Dimensions and Performance

For more information, visit our product resources page.
www.bllighting.com/resources

Cuttable every **1-31/32" (50mm)** ✂
 # of LEDs 146/FT (480/m)



IP20 : 1-31/32" x 25/64" x 5/32" (50mm x 10mm x 2.5mm)
 IP65 : 1-31/32" x 15/32" x 7/32" (50mm x 12mm x 5.5mm)

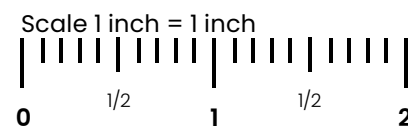
BL flexFORM
Dot-Free D2
 Dot-Free
265 lm/FT

Cuttable every **1-31/32" (50mm)** ✂
 # of LEDs 146/FT (480/m)



IP20 : 1-31/32" x 25/64" x 5/32" (50mm x 10mm x 2.5mm)
 IP65 : 1-31/32" x 15/32" x 7/32" (50mm x 12mm x 5.5mm)

BL flexFORM
Dot-Free D3
 Dot-Free
421 lm/FT

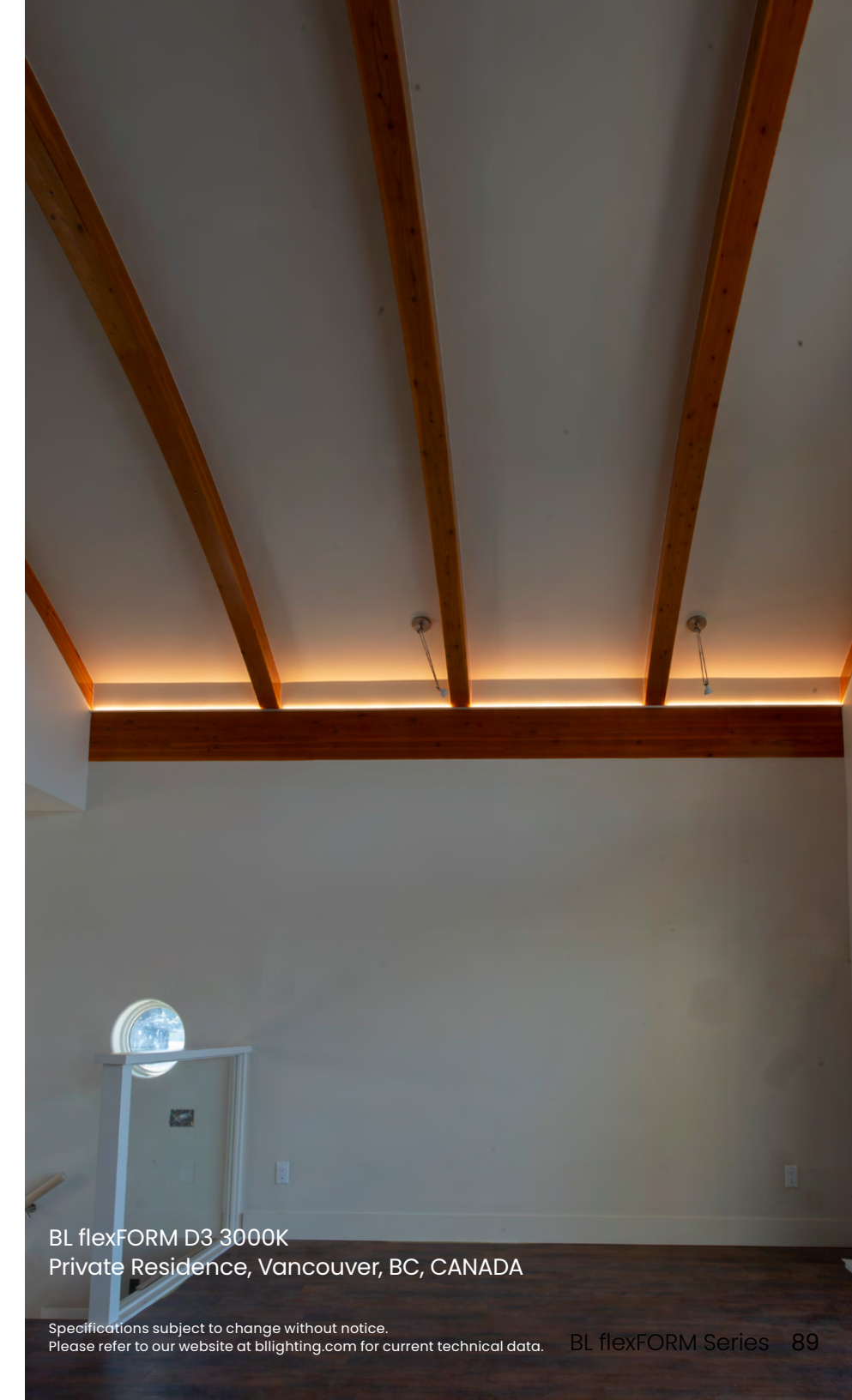


BL flexFORM Dot-Free D2

CCT	3000K	3500K
IP20	○	○
IP65	○	○
Power W/FT	2.44	2.44
Lumens lm/FT	258	265
Max. Run Length	16'-4"	16'-4"

BL flexFORM Dot-Free D3

CCT	3000K	3500K
IP20	○	○
IP65	○	○
Power W/FT	4.4	4.4
Lumens lm/FT	419	421
Max. Run Length	16'-4"	16'-4"



BL flexFORM D3 3000K
 Private Residence, Vancouver, BC, CANADA

Specifications subject to change without notice.
 Please refer to our website at bllighting.com for current technical data.

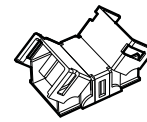
BL flexFORM Easy BL SNAP Connector

Easy BL SNAP Connectors allow for quick installation of BL flexFORM IP20 Series. With Easy BL SNAP system of solderless snap down LED connectors, it becomes easier than ever to splice two lengths, round corners and add longer leads to runs of BL flexFORM.

Available for the BL flexFORM D1, D2 IP20

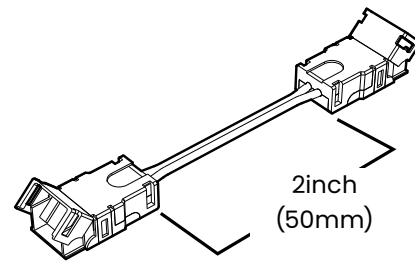
BL Splice Connector

The BL SNAP makes it easy to join two lengths of BL flexFORM. Open the connector and insert your BL flexFORM strip inside the connector, underneath the contact prongs. Make sure that the + and the - symbols are aligned before snapping the connector down. Gently pull on the wire to confirm you've secured it inside the connector.



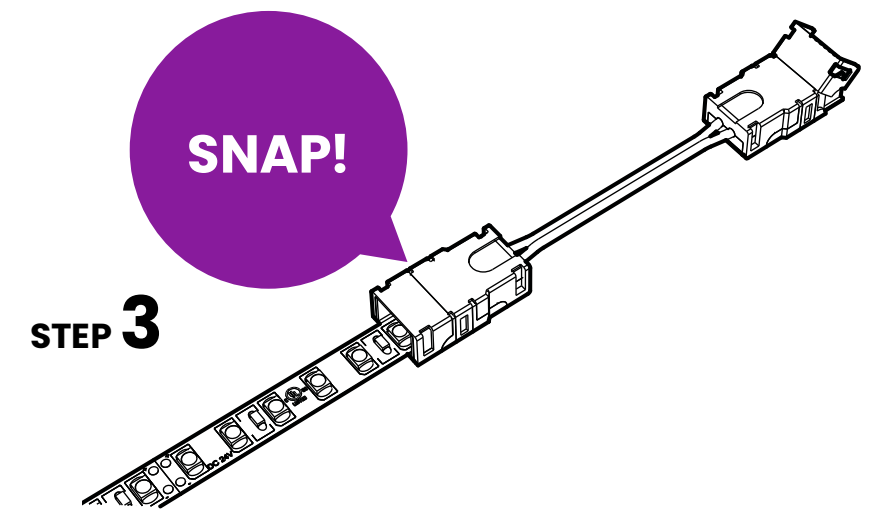
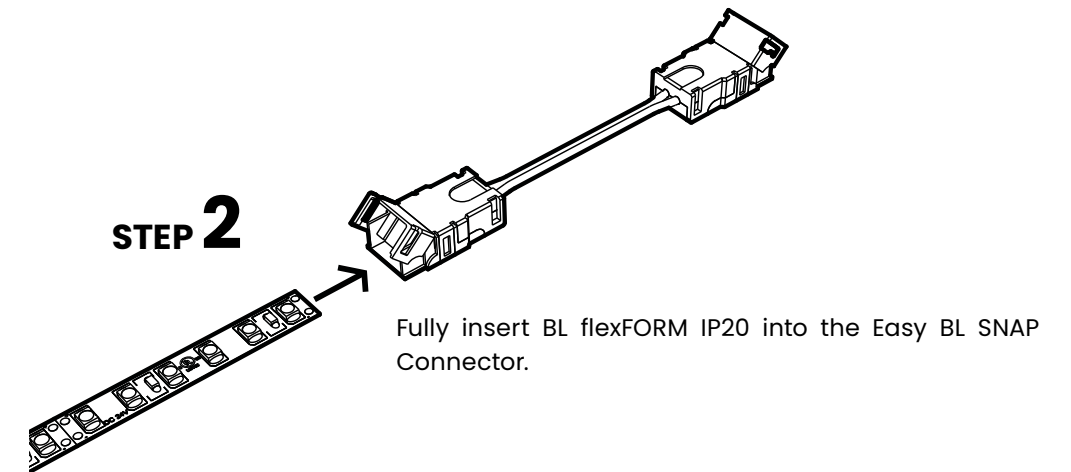
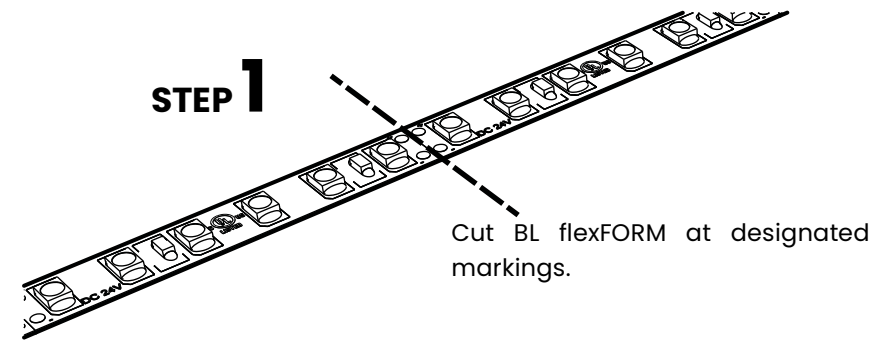
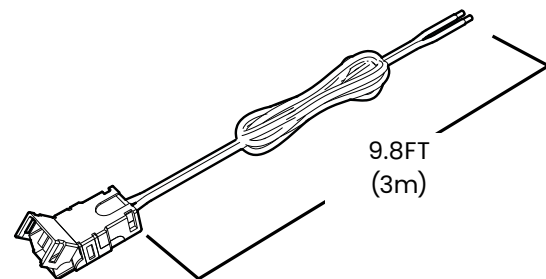
BL Jumper Connector

The 2" jumper connector allows for omnidirectional turns around a corner without having to run a separate lead from the driver.



BL Snap Lead Connector

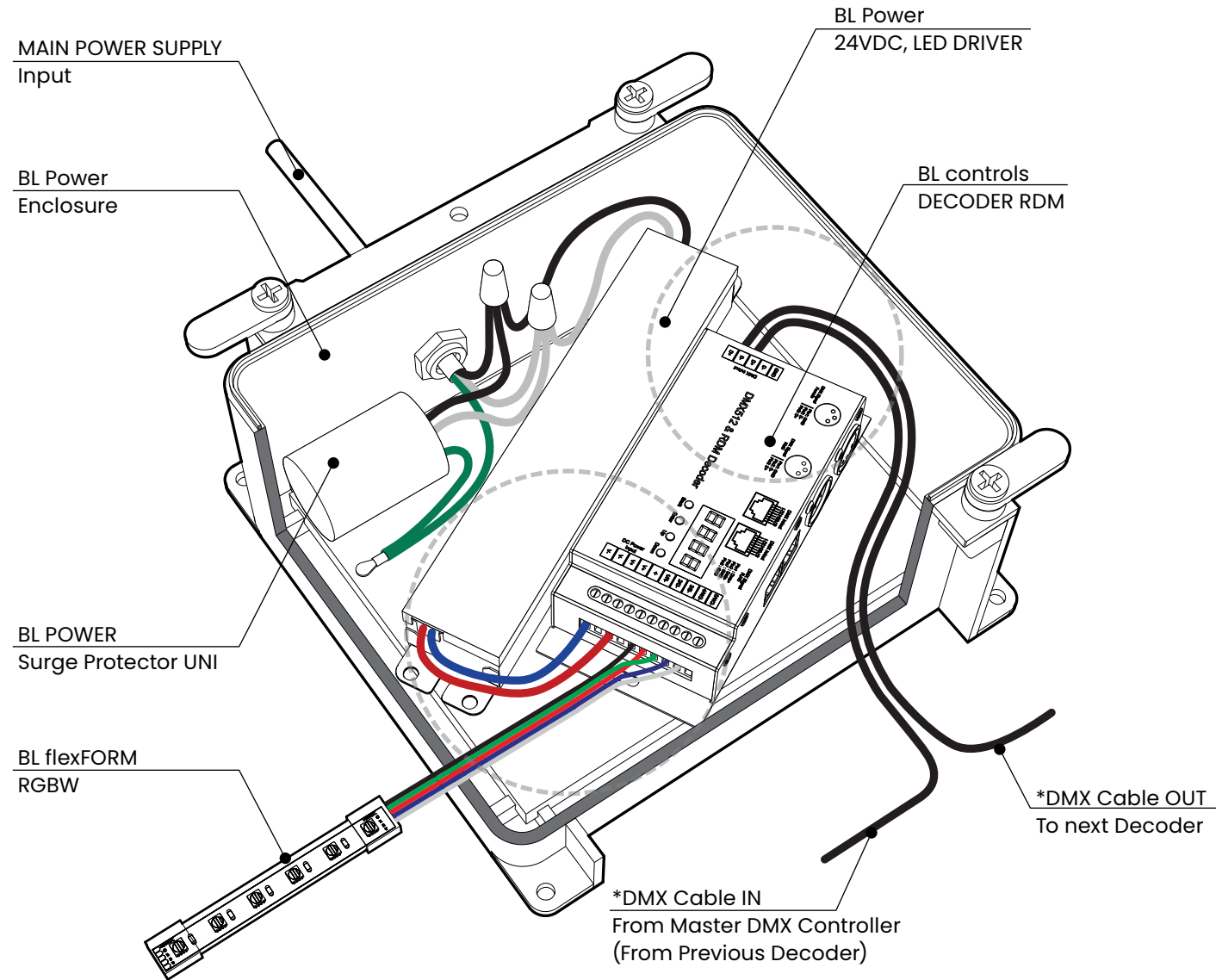
The 9.8FT lead connector makes it possible to place drivers in a convenient location as well as making it easier to connect multiple lengths of BL flexFORM to a single driver.



BL Wiring Diagram

Wiring diagrams and installation guidelines for all our products are available for download on our website. Visit www.bllighting.com where you'll find a comprehensive suite of resources, including specifications, IES files, project photos and more!

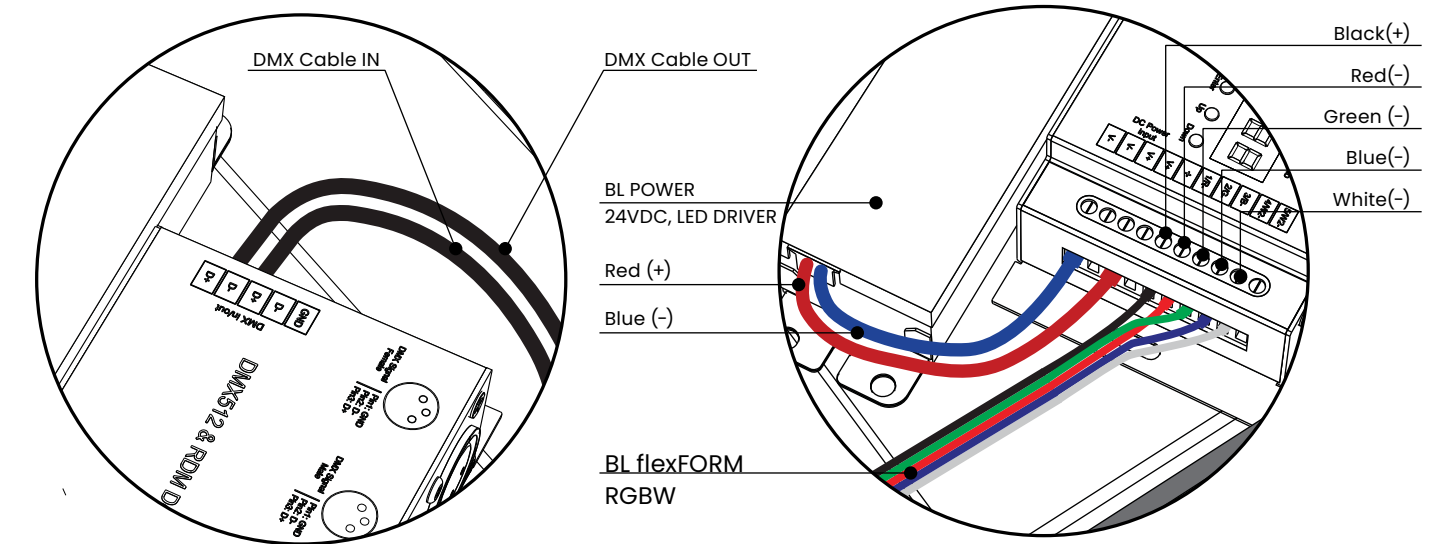
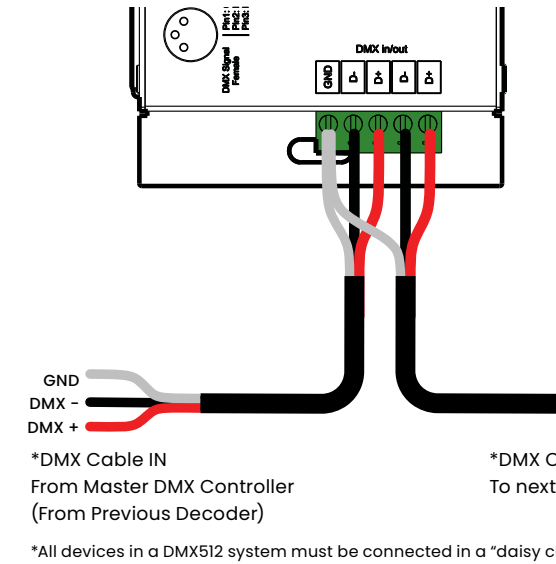
BL flexFORM RGBW wiring diagram with BL CBOX DMX



BL Lighting Resources

Visit our resource page at www.bllighting.com/resources

- Specification
- Installation
- Wiring
- IES
- Assembly
- CAD





BL spotGLOBE LED
2400K

Performance

CCT	Power (W/lamp)	Lumens (lm/lamp)
2400K	0.75	43
3000K	0.75	43
6000K	0.75	50

BL spotGLOBE LED

BL spotGLOBE LED

Flexible string lights are customizable by length and lamp spacing, and the energy efficient 0.75W LED is ideal for architectural borders, building outlines, custom signs, porte cocheres, and marquee lighting. Certified for indoor and outdoor use, add a spot of eye-catching sparkle and glitter to casinos, amusement parks, landscapes, pergolas and gazebos, and activate laneways and alleys with stylish festoons.

Lighting

CCT	2400K 3000K 6000K
Power	0.75 W/lamp
Beam Angle	270°
Lumens	50 lm/lamp (6000K)
Efficacy	67 lm/w (6000K)

Electrical

Controls	0-10V MLV ELV Triac Phase Cut
	DMX Bluetooth
Input Voltage	24VDC
Connections	16AWG, Copper Conductors
Temp. Range	-4°F to 104°F (-20°C to 40°C)

Mechanical

Environmental	IP65
Lamp Spacing	Max. Run Length
3"	32'
4"	43'
6"	65'
9"	80'
12"	93'
18"	112'
24"	130'



BL spotGLOBE
INC

BL spotGLOBE INC

Performance

CCT	Power (W/lamp)	Lumens (lm/lamp)
Incandescent	5	28

BL spotGLOBE INC
Cactus Club Cafe, Richmond, BC, CANADA

BL spotGLOBE INC

Flexible string lights are customizable by length and lamp spacing, and the classic 100 CRI, incandescent 5W lamp, is ideal for romantic restaurant patios, custom signs, porte cocheres, marquee and retro lighting. Certified for indoor and outdoor use, add a spot of eye-catching sparkle and glitter to casinos, amusement parks, landscapes, pergolas and gazebos, and activate laneways and alleys with stylish festoons.

Lighting

CCT	Incandescent
CRI	100
Power	5 W/lamp
Lumens	28 lm/lamp
Efficacy	6 lm/W

Electrical

Controls	MLV
Input Voltage	24VAC
Connections	16AWG, Copper Conductors
Temp. Range	-4°F to 104°F (-20°C to 40°C)

Mechanical

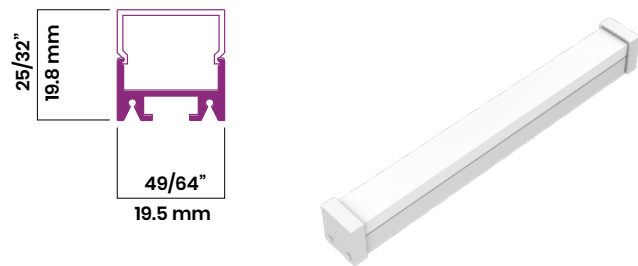
Environmental	IP65
---------------	------

Lamp Spacing	Max. Run Length
3"	6'
4"	8'
6"	12'
9"	18'
12"	24'
18"	36'
24"	48'

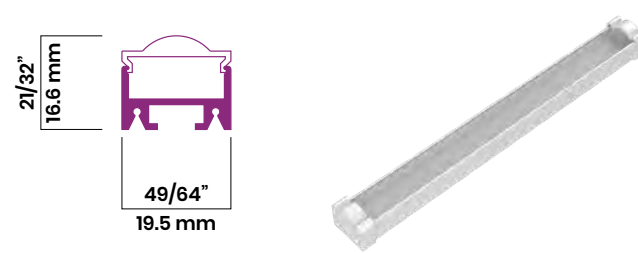
BL fixFORM Series

Customize your BL flexFORM LED with a range of channel profiles. Acrylic lenses uniformly diffuse and insulate the LED from dust and damage, and the solid aluminum base track is an excellent heat sink, protecting the LED while delivering a straight, even, line of light. Surface, recessed, suspended and step extrusions are available in standard Silver and custom Black or White Finish, with multiple lens optics providing polished and professional results.

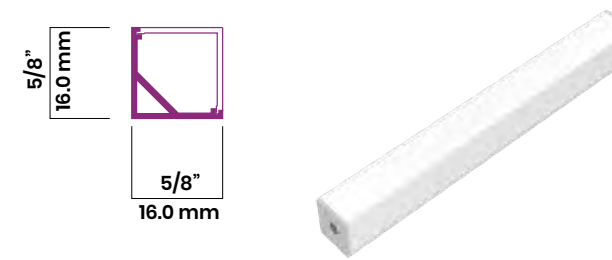




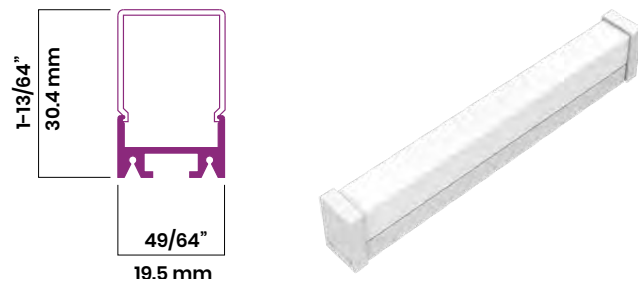
SF Square
Surface Mount
Square



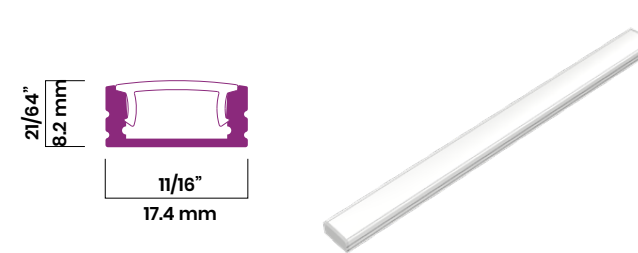
SF Focus Beam
Surface Mount Focus Beam
30°



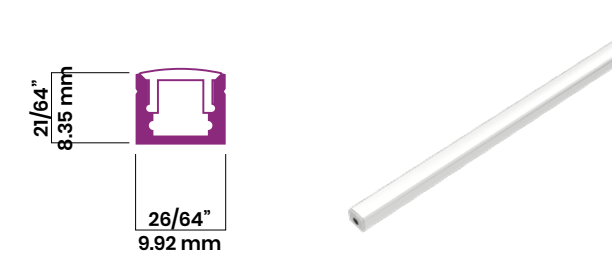
SF Double Side 45
Surface Mount Double Side
45°



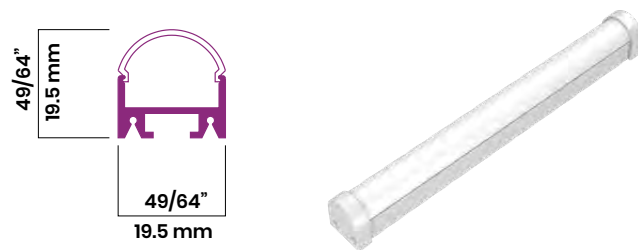
SF Rectangle
Surface Mount
Rectangle



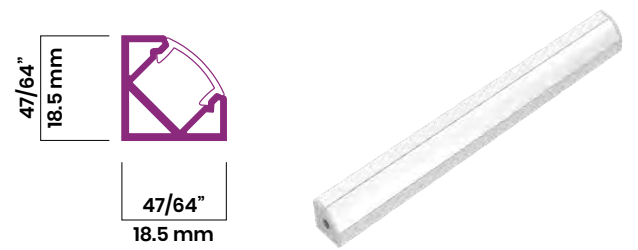
SF Shallow 1709
Surface Mount
Shallow



SF Narrow Square
Surface Mount
Narrow Square



SF Round
Surface Mount
Round



SF Single Side 45
Surface Mount Single Side
45°

BL fixFORM Surface Mount Profiles

Customize your BL flexFORM LED with one of our many channel profile options. Designed for easy integration into a wide range of applications such as coves, under cabinets, vanities, outlines, accents and display lighting, there is a BL fixFORM Surface Mount channel available to fit any space. The solid aluminum base track is an excellent heat sink, protecting the LED while delivering a straight, even, line of light. Add optional translucent lenses to uniformly diffuse and insulate the LED from dust and damage.

SF Square, SF Rectangle, SF Round Profile

Stock Length 6FT (1.83m)

Anodized Aluminum Base Track; Silver, Black or White

Polycarbonate Translucent Lens - 78% Transmission

Stainless Steel Mounting Clips

Anodized Aluminum End Caps

Stainless Steel Track Connectors (TC180 TCX90 TCF90)

SF Focus Beam 30° Profile

Stock Length 6FT (1.83m)

Anodized Aluminum Base Track; Silver, Black or White

Polycarbonate Clear 30° Focus Lens - 92% Transmission

Stainless Steel Mounting Clips

Anodized Aluminum End Caps

Stainless Steel Track Connectors (TC180 TCX90 TCF90)

SF Shallow 1709, SF Single Side 45, SF Double Side 45 Profile

Stock Length 6FT (1.83m)

Anodized Aluminum Base Track; Silver, Black or White

Polycarbonate Translucent Lens - 78% Transmission

ABS Plastic Mounting Clips

ABS Plastic End Caps

SF Narrow Square Profile

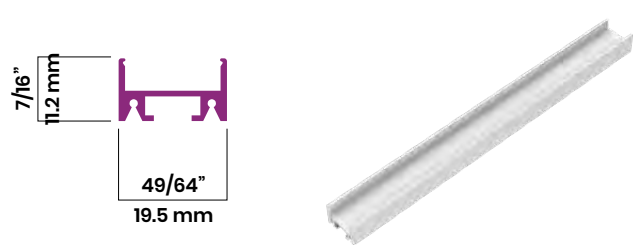
Stock Length 6FT (1.83m)

Anodized Aluminum Base Track; Silver, Black or White

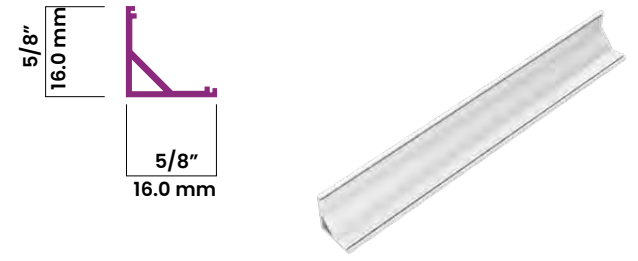
Polycarbonate Translucent Lens - 78% Transmission

ABS Plastic Mounting Clips

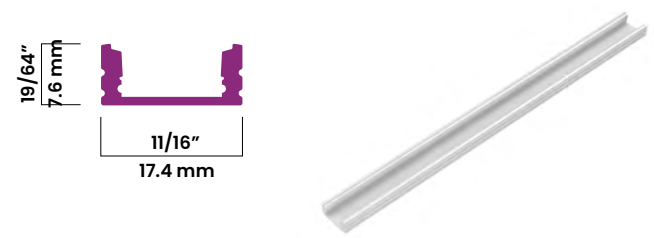
ABS Plastic End Caps



SF Channel
Surface Mount
Channel



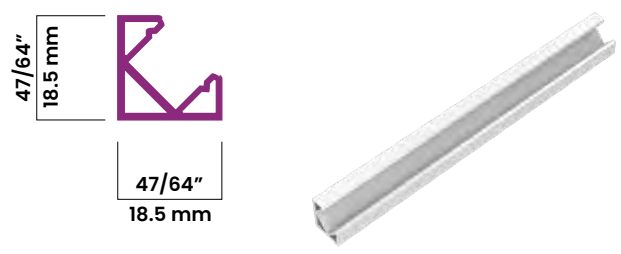
SF Double Side 45 Channel
Surface Mount Double Side
45° Channel



SF Shallow 1709 Channel
Surface Mount Shallow
1709 Channel



SF Narrow Channel
Surface Mount
Narrow Channel



SF Single Side 45 Channel
Surface Mount Single Side
45° Channel

BL fixFORM Surface Mount Channel

Customize your BL flexFORM LED with one of our many channel profile options. Designed for easy integration into a wide range of applications such as coves, under cabinets, vanities, outlines, accents and display lighting, there is a BL fixFORM Surface Mount channel available to fit any space. The solid aluminum base track is an excellent heat sink, protecting the LED while delivering a straight, even, line of light. Add optional translucent lenses to uniformly diffuse and insulate the LED from dust and damage.

SF Channel
Stock Length 6FT (1.83m)
Anodized Aluminum Base Track; Silver, Black or White
Stainless Steel Track Connectors (TC180 TCX90 TCF90)

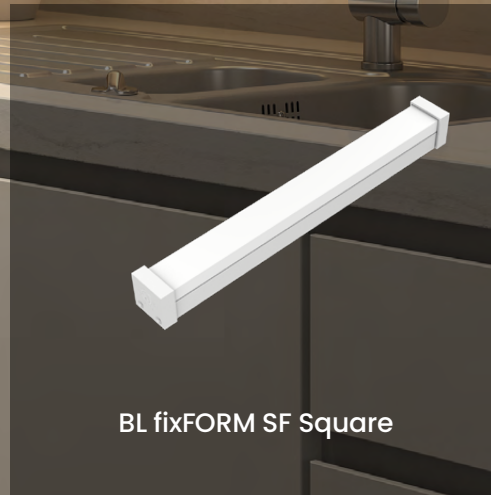
SF Shallow 1709 Channel,
SF Single Side 45 Channel
SF Double Side 45 Channel
SF Narrow Square Channel
Stock Length 6FT (1.83m)
Anodized Aluminum Base Track; Silver, Black or White

BL fixFORM
SF Single Side 45

BL fixFORM
SF Square



BL fixFORM SF Single Side 45



BL fixFORM SF Square

BL fixFORM Surface Mount

Customize your BL flexFORM LED with one of our many channel profile options. Designed for easy integration into a wide range of applications such as coves, cabinets, vanities, outlines, accents and display lighting, there is a BL fixFORM Surface Mount channel available to fit any space. The solid aluminum base track is an excellent heat sink, protecting the LED while delivering a straight, even line of light. Add optional translucent lenses, to uniformly diffuse and insulate the LED from dust and damage.

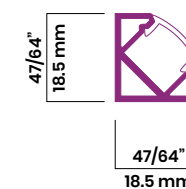
All BL fixFORM Surface Mount profiles are field cuttable and ship complete with 3 Mounting Clips and 2 End Caps for easy installation, and a clean, polished, professional finish.

SF Single Side 45 Profile

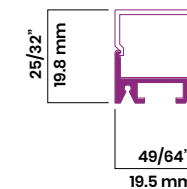
- Stock Length 6FT (1.83m)
- Anodized Aluminum Base Track; Silver, Black or White
- Polycarbonate Translucent Lens - 78% Transmission
- ABS Plastic Mounting Clips
- ABS Plastic End Caps

SF Square Profile

- Stock Length 6FT (1.83m)
- Anodized Aluminum Base Track; Silver, Black or White
- Polycarbonate Translucent Lens - 78% Transmission
- Stainless Steel Mounting Clips
- Anodized Aluminum End Caps
- Stainless Steel Track Connectors (TC180 TCX90 TCF90)



BL fixFORM
SF Single Side 45
Profile



BL fixFORM
SF Square
Profile

Specifications subject to change without notice.
Please refer to our website at billighting.com for current technical data.



BL fixFORM SF Narrow Square
BL flexFORM N2 3000K

BL fixFORM SF Narrow Square
BL flexFORM N2 3000K

BL fixFORM SF Narrow Square

BL fixFORM SF Narrow Square

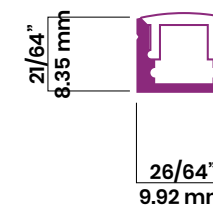
Designed exclusively to house the slim and powerful BL flexFORM N2 LED, this ultra-thin and light profile is slender enough to fit into the tightest spaces at a mere 13/32" (9.92mm) wide and just 21/64" (8.35mm) high. The shatter-resistant narrow polycarbonate diffuser lens renders a beautifully sleek, bright line of dot-free lighting and is a perfect choice for narrow surface applications where homogenous lighting is desired.

SF Narrow Square Profile

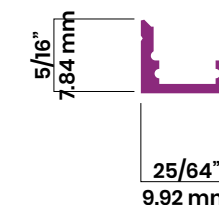
- Stock Length 6FT (1.83m)
- Anodized Aluminum Base Track; Silver, Black or White
- Polycarbonate Translucent Lens - 78% Transmission
- ABS Plastic Mounting Clips
- ABS Plastic End Caps

SF Narrow Channel

- Stock Length 6FT (1.83m)
- Anodized Aluminum Base Track; Silver, Black or White



BL fixFORM
SF Narrow Square
Profile



BL fixFORM
SF Narrow Square
Channel



BL fixFORM SF Shallow 1709
BL flexFORM D3 3000K

BL fixFORM SF Shallow 1709

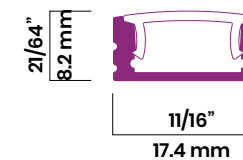
At just 11/32" (9mm) high, BL fixFORM SF Shallow 1709 is easily integrated into smaller spaces such as shelves, wardrobes, cabinets, and in coves; anywhere an inconspicuous profile is desired. This sleek, low profile, surface mount extrusion, is designed for our BL flexFORM D Series, and provides another layer of protection for the LED with excellent heat dissipation, a polished, professional finish, and a shallow silhouette.

SF Shallow 1709 Profile

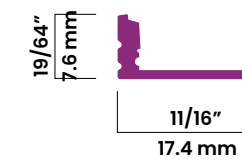
- Stock Length 6FT (1.83m)
- Anodized Aluminum Base Track; Silver, Black or White
- Polycarbonate Translucent Lens - 78% Transmission
- ABS Plastic Mounting Clips
- ABS Plastic End Caps

SF Shallow 1709 channel

- Stock Length 6FT (1.83m)
- Anodized Aluminum Base Track; Silver, Black or White



BL fixFORM
SF Shallow 1709
Profile

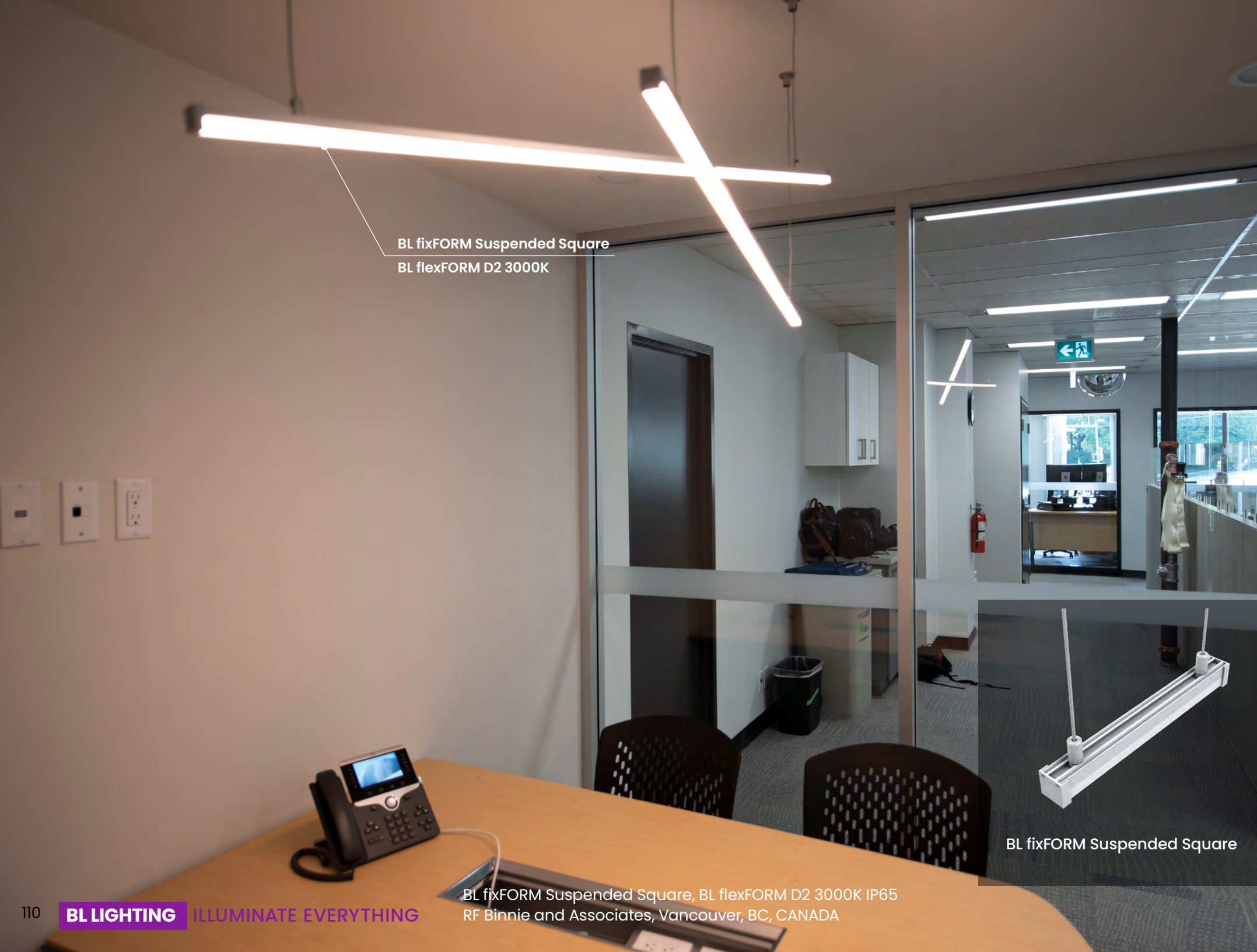


BL fixFORM
SF Shallow 1709
Channel



BL fixFORM SF Shallow 1709

BL fixFORM SF Shallow 1709, BL flexFORM D3 3000K IP20
Bathroom, Private Residence, Sunshine Coast, BC, CANADA



BL fixFORM Suspended Square
BL flexFORM D2 3000K



BL fixFORM Suspended Square

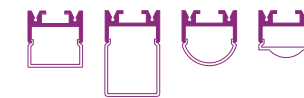
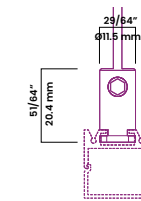
BL fixFORM Suspended

BL fixFORM SPK Suspended allows you to design your own custom pendant luminaire. The aluminum extruded channel is available with your choice of diffuser lens profiles, and integrates with BL flexFORM LED to offer a wide range of lumen packages, Kelvin temperatures, and dimming options. Conductive suspension wires combine structural with electrical to seamlessly energize the light, and are adjustable in height. Each module may be custom pre-assembled to any length from 6" to 6'-0", allowing you to uniformly illuminate your space with energy efficient light.

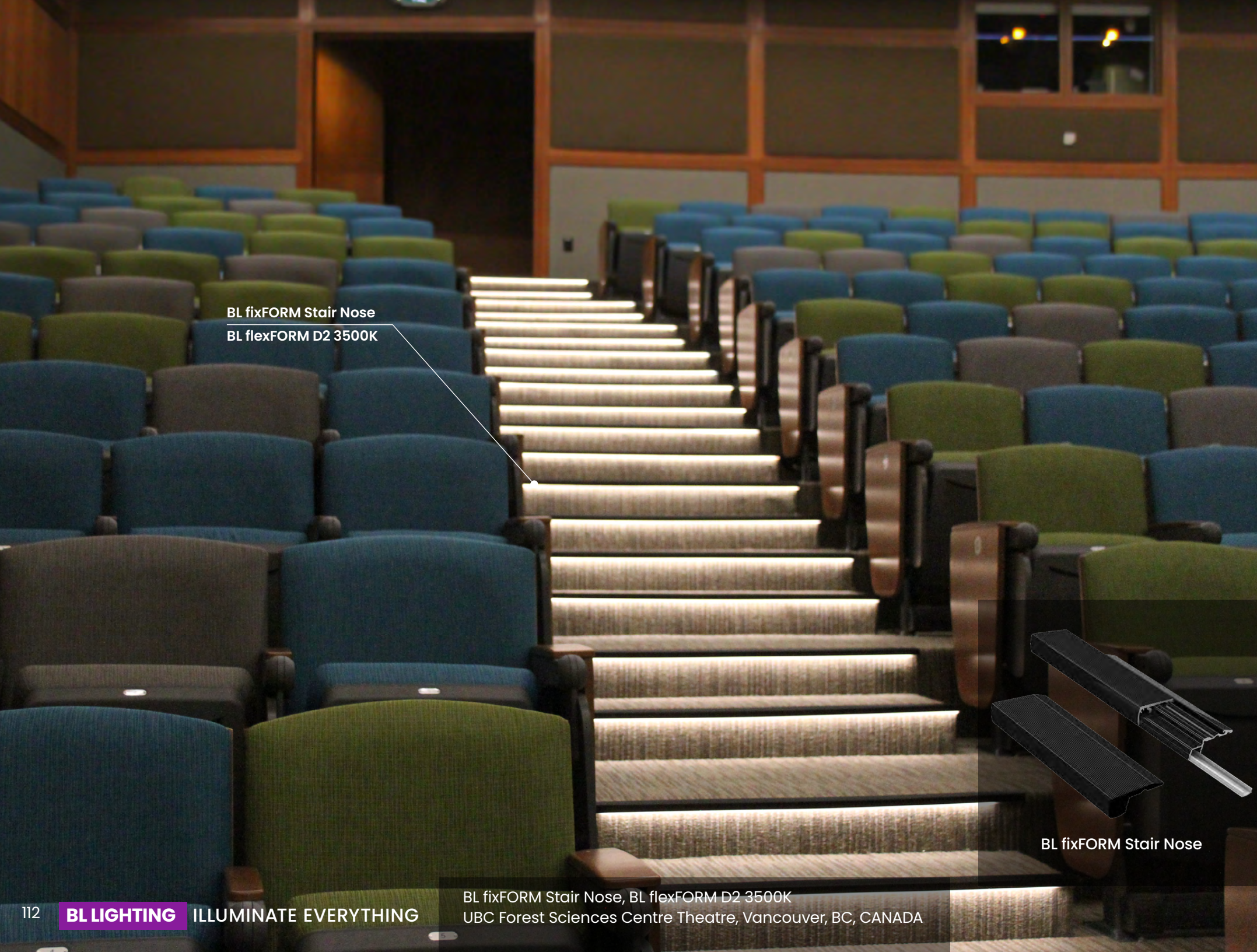
5 Profile Styles Available:

- BL fixFORM Suspended Square
- BL fixFORM Suspended Rectangle
- BL fixFORM Suspended Round
- BL fixFORM Suspended Focus Beam 30°
- BL fixFORM Suspended Channel (without lens)

- Stock Length 6FT (1.83m)
- Anodized Aluminum Base Track; Silver, Black or White
- Polycarbonate Lens
- Anodized Aluminum End Caps
- Stainless Steel Track Connectors
- Anodized Aluminum Hanger
- Stainless Steel Hex Bolt Fasteners
- Combined Connection & Suspension Cable, PVC Jacketed, 18AWG Copper Conductor, 6FT Lengths



Specifications subject to change without notice.
Please refer to our website at bllighting.com for current technical data.



BL fixFORM Stair Nose
BL flexFORM D2 3500K



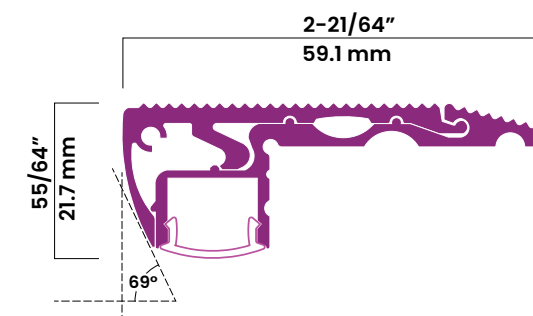
BL fixFORM Stair Nose

BL fixFORM Stair Nose

Adding wayfinding, safety, and accent lighting to steps and stairways, BL fixFORM Stair Nose is engineered to integrate with BL flexFORM Series to create highly visible step delineation in an array of lumen packages, Kelvin temperatures, and dimming options. Ideal for auditoriums and theaters, the durable step nose extrusion is field cuttable and easy to install, while the built-in step to floor reducer provides a smooth and safe transition from one surface to another, without compromising aesthetics.

Stair Nose

- Stock Length 6FT (1.83m)
- Anodized Aluminum Base Track; Silver, Black or White
- Polycarbonate Translucent Lens - 75% Transmission
- ABS Plastic End Caps





BL fixFORM Recessed 2626
BL flexFORM D2 3000K

"+ 188 cm TO THE
GROUND"



BL fixFORM Recessed 2626

BL fixFORM Recessed 2626

Designed and engineered specifically for integration with BL flexFORM architectural linear LED lighting systems, this high performance profile is sturdy, durable and available in a wide array of lumen packages, Kelvin temperatures, and dimming options. With a high load bearing capability, BL fixFORM Recessed 2626 is ideal for floors, walkways and anywhere requiring a high-traffic area lighting solution.

Recessed 2626

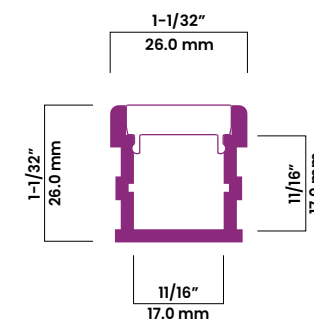
Stock Length 6FT (1.83m)

Anodized Aluminum Base Track; Silver, Black or White

Polycarbonate Translucent Lens - 78% Transmission

Anodized Aluminum End Caps

Weight Bearing - 4500 lbf (20 kN)





BL fixFORM Recessed Shallow 2811
BL flexFORM D3 4000K



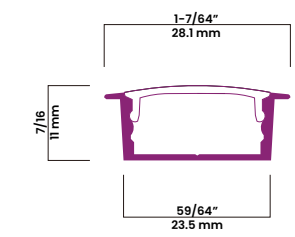
BL fixFORM RC Shallow 2811

BL fixFORM Recessed Shallow 2811

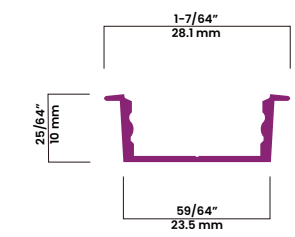
At just 7/16" (11mm) high, this compact and versatile recessed profile is easily integrated into nooks, niches and smaller spaces such as shelves, wardrobes, and cabinets; anywhere an inconspicuous profile is desired. Sleek and low profile BL fixFORM RC Shallow 2811 is designed for our BL flexFORM D Series, and provides another layer of protection for the LED along with a polished, professional finish.

- Recessed Shallow 2811 Profile
- Stock Length 6FT (1.83m)
- Anodized Aluminum Base Track
- Polycarbonate Translucent Lens - 78% Transmission
- ABS Plastic Mounting Clips
- ABS Plastic End Caps

- Recessed Shallow 2811 channel
- Stock Length 6FT (1.83m)
- Anodized Aluminum Base Track



BL fixFORM
Recessed Shallow 2811
Profile



BL fixFORM
Recessed Shallow 2811
Channel

Specifications subject to change without notice. Please refer to our website at bllighting.com for current technical data.

BL fixFORM Recessed 4435
BL flexFORM D2 3000K

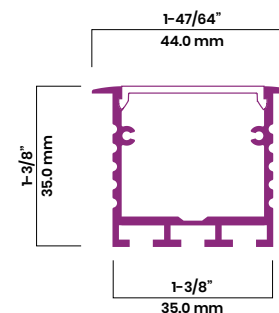


BL fixFORM Recessed 4435

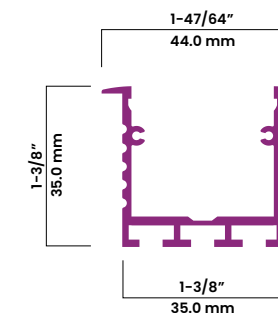
Perfect for linear accenting in walls and ceilings, the attractive and uniform trim, along with multi-directional track connectors, and spring clips, allow for easy installation, and a beautifully polished, professional, and flush finish. This stylish recessed profile is compatible with all of our BL flexFORM LED, allowing you to create homogeneous lines of light in the widest array of lumen packages.

- Recessed 4435 Profile
 - Stock Length 6FT (1.83m)
 - Anodized Aluminum Base Track
 - Polycarbonate Translucent Lens - 78% Transmission
 - Stainless Steel Mounting Clips
 - Anodized Aluminum End Caps
 - Stainless Steel Track Connectors (TC180 TCX90 TCF90)

- Recessed 4435 channel
 - Stock Length 6FT (1.83m)
 - Anodized Aluminum Base Track



BL fixFORM Recessed 4435 Profile



BL fixFORM Recessed 4435 Channel



BL fixFORM Recessed 4435

BL fixFORM Recessed 4435, BL flexFORM D2 3000K
Trevalli Mining Office, Vancouver, BC, CANADA

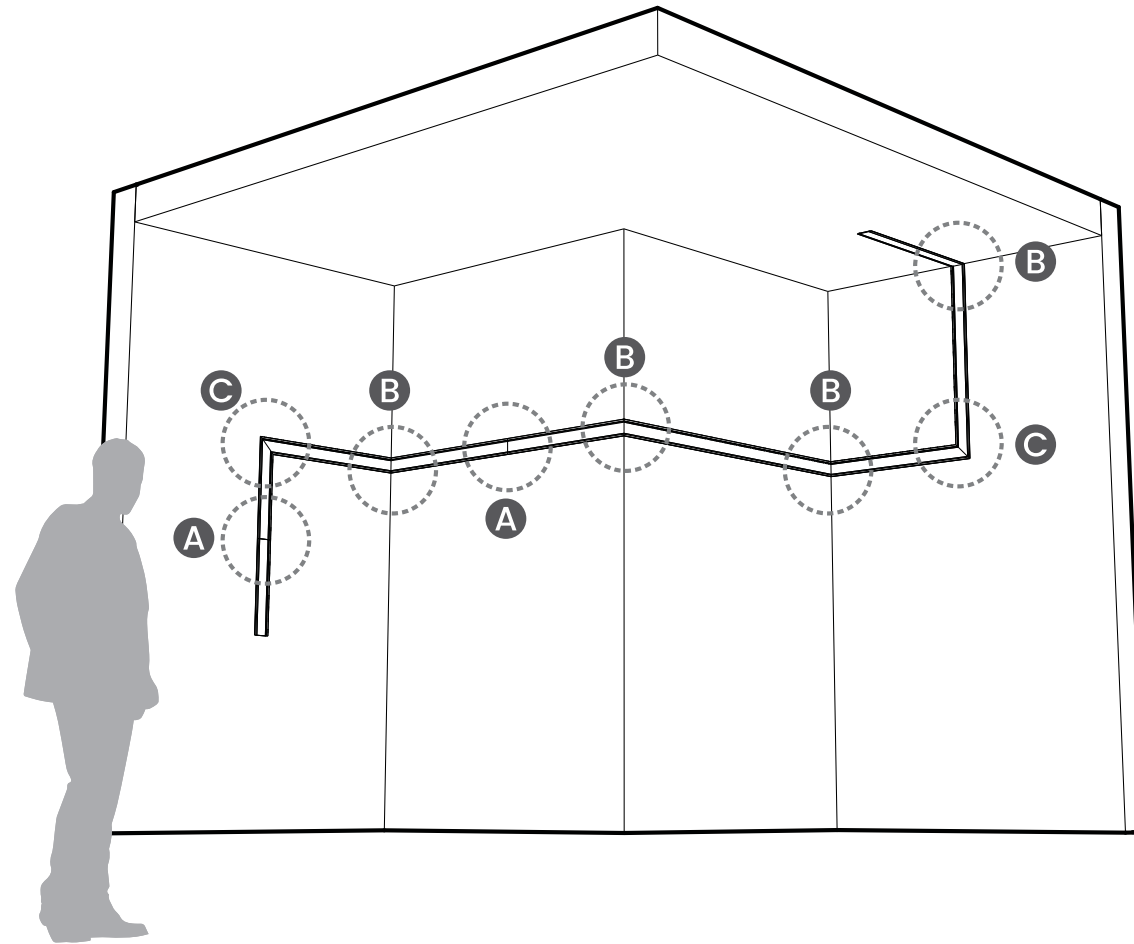
Specifications subject to change without notice. Please refer to our website at bllighting.com for current technical data.

BL fixFORM Track Connector

3 styles of Track Connectors make it easy to connect multiple lengths together to create virtually infinite lines of light that can change direction, go along or up walls, and across ceilings at any angle. Compatible with select BL fixFORM Profiles, allow your creativity to go wild!

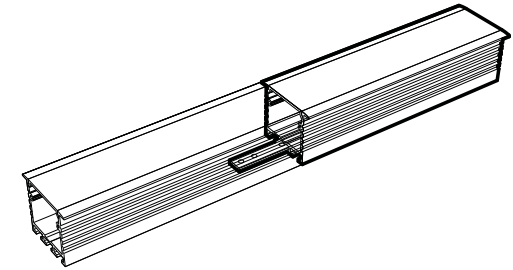
BL fixFORM Track Connectors are compatible with:

- BL fixFORM Recessed 4435
- BL fixFORM SF20 Channel
- BL fixFORM SF Square Profile
- BL fixFORM SF Rectangle Profile
- BL fixFORM SF Round Profile
- BL fixFORM SF Focus Beam 30°

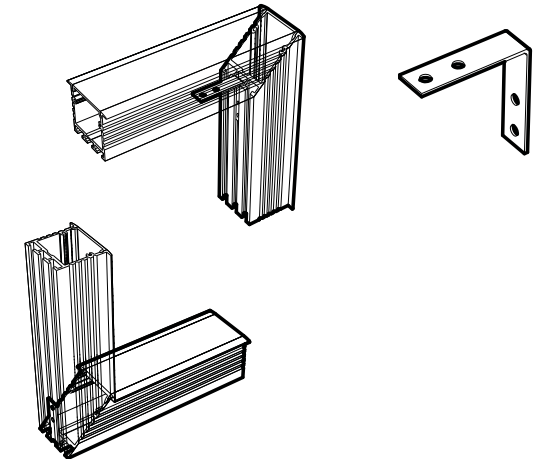


Figures show BL fixFORM Recessed 4435 Profile for illustrative purposes only. Actual product may vary.

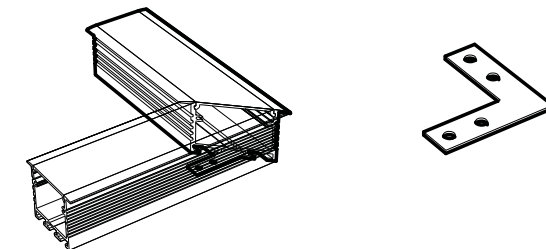
A TC180
Multi-Track Connector, Flat 180°



B TCX90
Multi-Track Connector, In/Out 90°



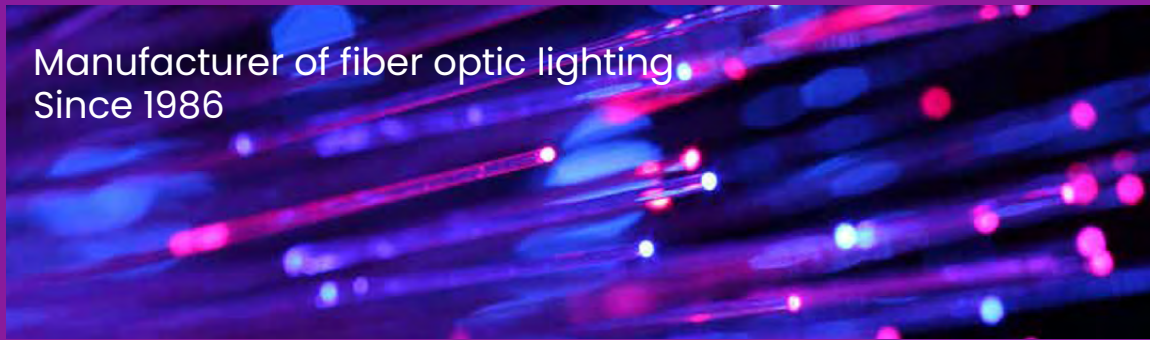
C TCF90
Multi-Track Connector, Flat 90°



Specifications subject to change without notice. Please refer to our website at blighting.com for current technical data.

BL fiberOPTIC Series

Manufactured in a range of diameters that can glow along the length of the fiber itself, as well as emit from the end points. Illumination radiates from the Optical Fiber while electricity and heat are safely contained to the light source. Optical Fiber is waterproof, resistant to vibrations and extreme temperatures, and a variety of energy efficient BL fiberSOURCE lights, end fittings and accessories are available to bring your project to life.



Manufacturer of fiber optic lighting
Since 1986

The Story of BL fiberOPTIC

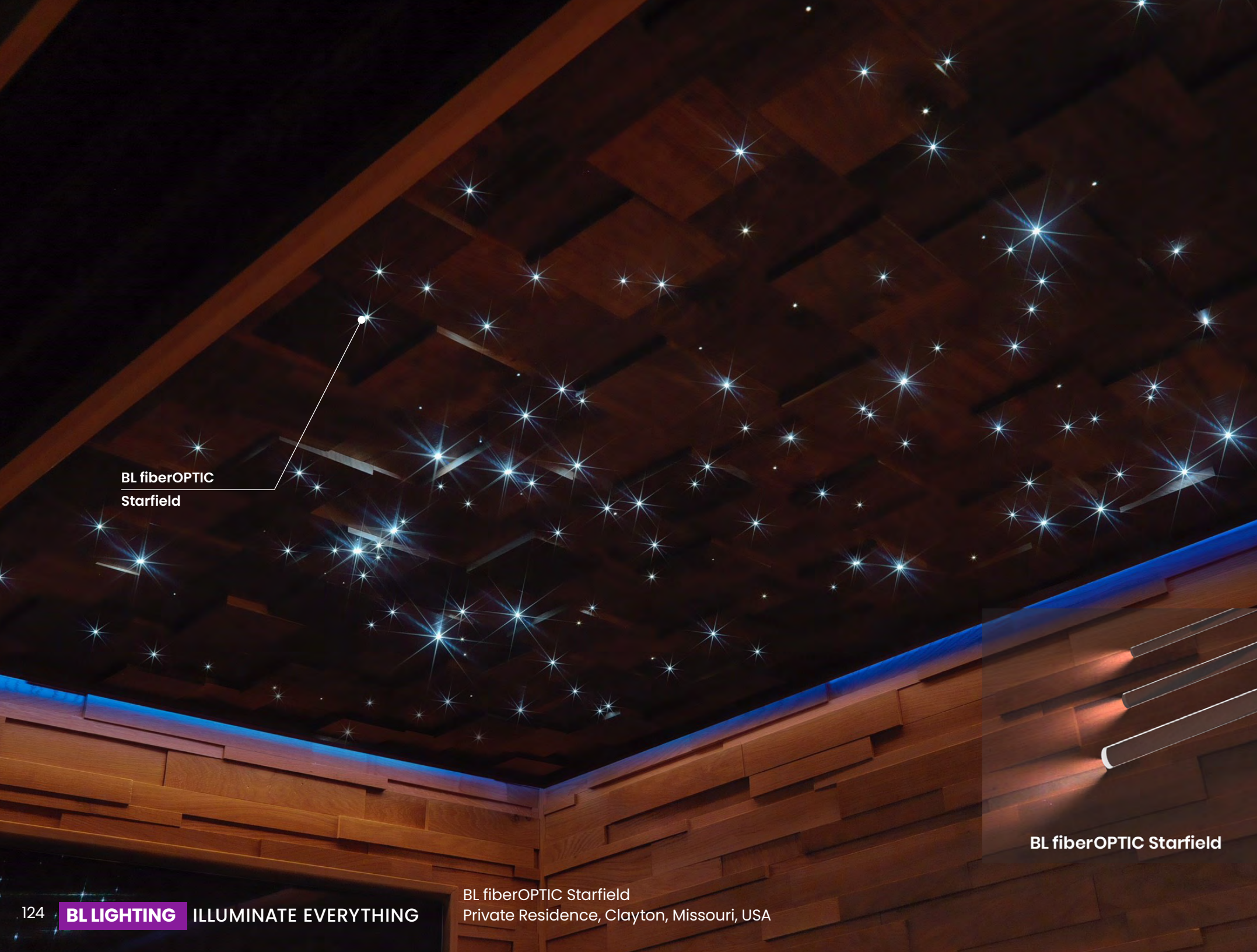
A small, multi-stranded fiber exhibit on display at a tradeshow in 1986, illuminated a spark in the founder of BL Lighting. Known to be forward thinking, Betty Lou recognized the unique and extraordinary potential of fiber optics for lighting, and almost immediately, embarked on manufacturing her own trademark Optical Fiber.

"There is no such thing as a turning point, no point in waiting for anything to happen. I just said that's it, I chose lighting... Like with most things, you begin something, it develops into a passion and you forever continue to do it....put the energy forward."

An innovative leader in LED and custom lighting for over three decades, BL Lighting keeps pace with rapid advances in the lighting industry, excited to offer solutions that bring your ideas to light. Today, BL Lighting is one of the world's largest Optical Fiber manufacturers, with our production facility located in North America.

"Lighting is the essence of life: without light, there is nothing".

BL fiberOPTIC Starfield	125
BL fiberOPTIC Sidelight	127
BL fiberOPTIC Aqua Sidelight	129
BL fiberOPTIC Endlight	131
BL fiberOPTIC End Fixtures	132
BL fiberOPTIC Museum	137
BL fiberOPTIC Showcase	139
BL fiberOPTIC Sauna Endlight	141
BL fiberOPTIC Downlight	143
BL fiberOPTIC Aqua Endlight	145
BL fiberOPTIC Suspended Endlight	147



BL fiberOPTIC
Starfield

BL fiberOPTIC Starfield

BL fiberOPTIC Starfield
Private Residence, Clayton, Missouri, USA

BL fiberOPTIC Starfield

Create a starry sky effect with BL fiberOPTIC Starfield kit! The pre-assembled star point bundles make your starscape installation easy. Completely free of heat, the light is transmitted from a BL fiberSOURCE illuminator, through the optical fiber where it is brightly emitted from just the tips of the fiber ends. The small micro diameter fiber size allows for hundreds of points of end light from a single BL fiberSOURCE illuminator, with your choice of white light, colors, or twinkle and various control options. Also available in reels as BL fiberOPTIC MC for field cutting and customization capabilities. Perfect for home theaters, spas, bedrooms, feature walls, calming patient care zones, sensory rooms, children's areas, and imaginative artistic creations. Transform any room with fantastical and realistic recreations of the night sky from a single panel focal point accent feature, up to grand galaxies across expansive spaces.

BL fiberOPTIC Starfield
BL fiberOPTIC ST 075 1/32" (0.75mm)
BL fiberOPTIC Starfield ships pre-assembled, custom sizes and lengths available

BL fiberOPTIC Micro Fiber
BL fiberOPTIC MC 075 1/32" (0.75mm)
BL fiberOPTIC MC 100 3/64" (1.0 mm)
BL fiberOPTIC MC 150 1/16" (1.5 mm)
BL fiberOPTIC MC 200 5/64" (2.0 mm)
BL fiberOPTIC Micro Fiber is available in reels, or as custom lengths

Life Expectancy 15 years
Meets ANSI/UL 94-V0
Chemical, Fungi, Algae Resistant
Temp. Range -67°F to 158°F (-55°C to 70°C)
Material PMMA Micro Fiber Strands

Acceptance Angle 45°
Output Angle 40° (Half Angle)
Attenuation 0.06 dB/FT (0.2 dB/m)
Numerical Aperture 0.54
Refractive Index 1.49
Spectral Transmission 380 nm to 750 nm (Visible Spectrum)

Specifications subject to change without notice.
Please refer to our website at blighting.com for current technical data. BL fiberOPTIC Series 125



BL fiberOPTIC
Sidelight

BL fiberOPTIC Sidelight

BL fiberOPTIC Sidelight
Shaw Tower, Vancouver, BC, CANADA

BL fiberOPTIC Sidelight

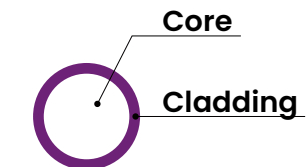
Emitting a 360° soft neon-like glow along the length, our clear, solid core BL fiberOPTIC Sidelight is protected in a clear cladding, and is highly flexible for bending in any direction. Perfect for creating custom luminaires and art installations, water, pool and fountain features, linear accents, building outlines, and architectural highlights. Free of heat or electrical components, light is transmitted into one end of the fiber from a separate BL fiberSOURCE illuminator, offering a safe solution for challenging indoor or outdoor environments.

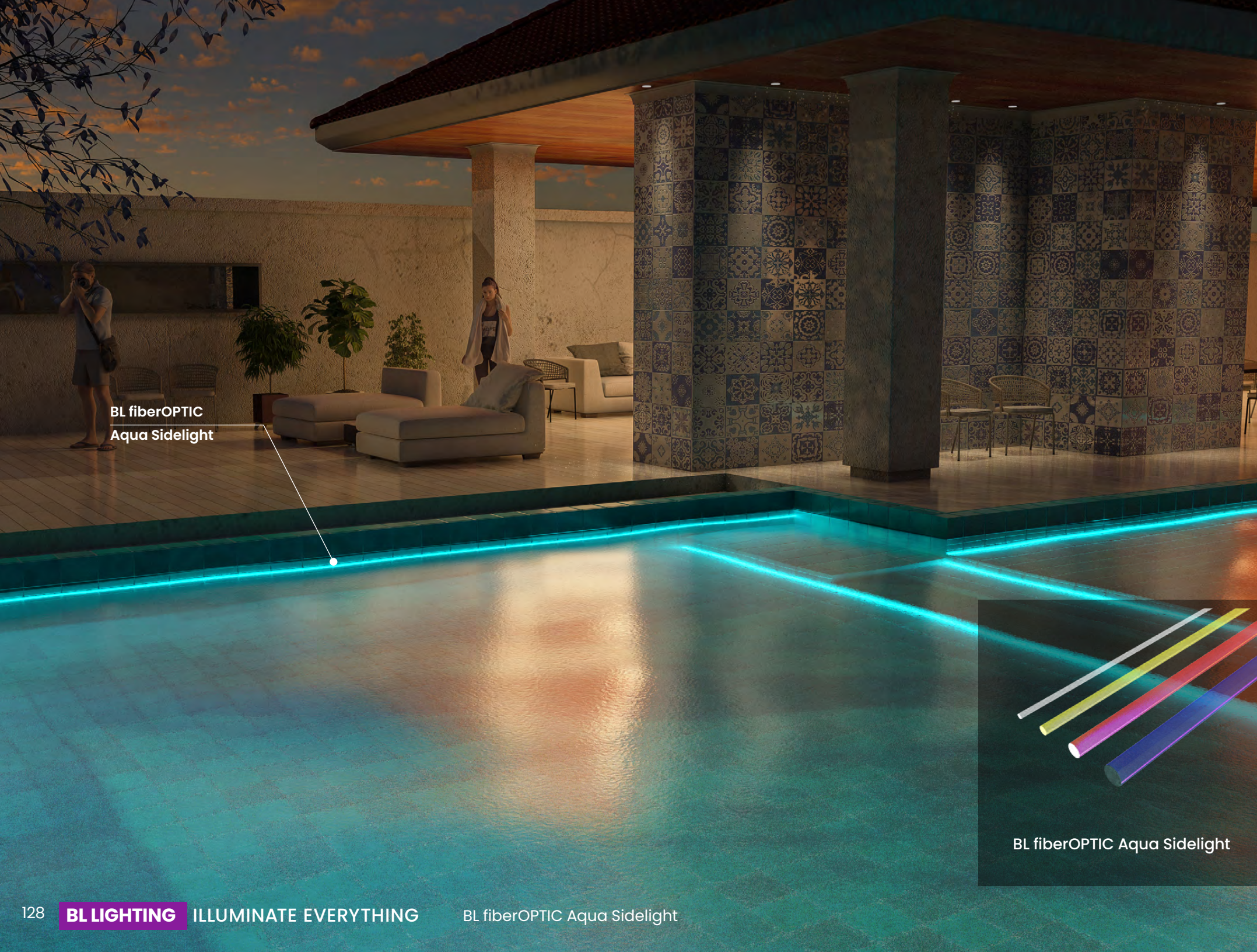
Diameters

BL fiberOPTIC SL 120	1/8"	(Ø 3mm)
BL fiberOPTIC SL 150	5/32"	(Ø 4mm)
BL fiberOPTIC SL 250	1/4"	(Ø 6.9mm)
BL fiberOPTIC SL 375	3/8"	(Ø 10mm)
BL fiberOPTIC SL 500	1/2"	(Ø 13.7mm)

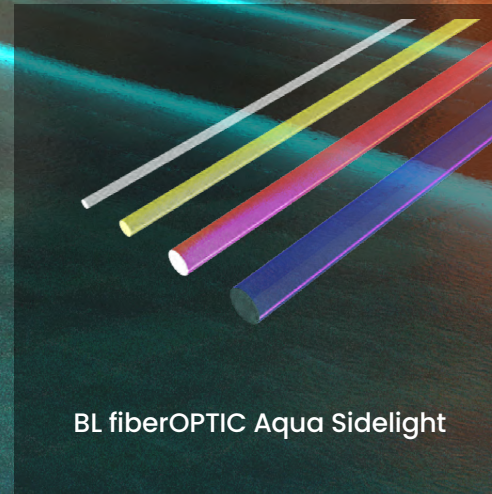
Life Expectancy 15 years
Meets ANSI/UL 94-V0
Chemical, Fungi, Algae Resistant
Operating Temperature: -40°C to 100°C (-40°C to 212°F)
Proprietary Monomer Mix, PMMA Core & PVC Cladding

Acceptance Angle 45°
Output Angle 40° (Half Angle)
Attenuation 0.24 dB/FT (0.8 dB/m)
Numerical Aperture 0.65
Refractive Index 1.49
Spectral Transmission 380 nm to 750 nm (Visible Spectrum)





BL fiberOPTIC
Aqua Sidelight



BL fiberOPTIC Aqua Sidelight

BL fiberOPTIC Aqua Sidelight

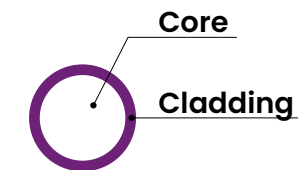
Emitting a 360° soft neon-like glow along the length, flexible BL fiberOPTIC Aqua Sidelight is perfect for pool perimeter outlines, contours, and shapes. Submersible when ends are protected, and completely free of heat or electrical components, light is transmitted into one end of the fiber from a separate BL fiberSOURCE illuminator, offering a safe solution for swimming pools, fountains and water features.

Diameters

BL fiberOPTIC SL 120	1/8"	(Ø 3mm)
BL fiberOPTIC SL 150	5/32"	(Ø 4mm)
BL fiberOPTIC SL 250	1/4"	(Ø 6.9mm)
BL fiberOPTIC SL 375	3/8"	(Ø 10mm)
BL fiberOPTIC SL 500	1/2"	(Ø 13.7mm)

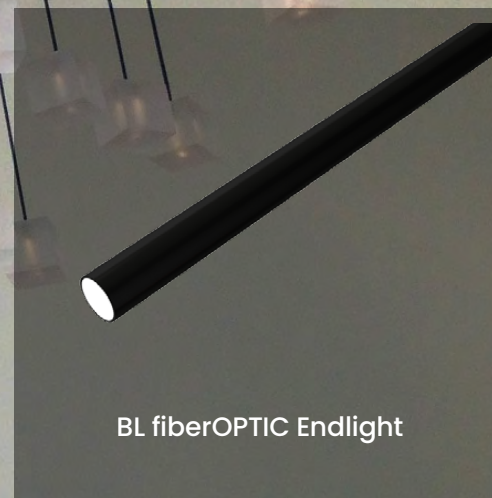
Life Expectancy 15 years
 Meets ANSI/UL 94-V0
 Chemical, Fungi, Algae Resistant
 Operating Temperature: -40°C to 100°C (-40°C to 212°F)
 Proprietary Monomer Mix, PMMA Core & PVC Cladding

Acceptance Angle 45°
 Output Angle 40° (Half Angle)
 Attenuation 0.24 dB/FT (0.8 dB/m)
 Numerical Aperture 0.65
 Refractive Index 1.49
 Spectral Transmission 380 nm to 750 nm (Visible Spectrum)





BL fiberOPTIC
Endlight



BL fiberOPTIC Endlight

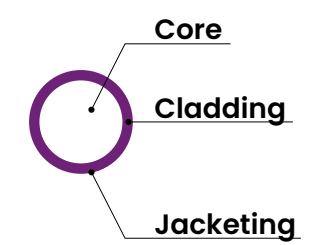
BL fiberOPTIC Endlight

Emitting a radiant illuminance at the end of the fiber strand, BL fiberOPTIC Endlight transmits light through the solid core fiber, which is protected in a flexible black PVC jacketing, and easily integrates with optional BL fiberOPTIC End Fittings for a professional, polished finish. The fiber is resistant to heat, weather, and vibration, and is perfect for creating custom luminaires, spot, display, and museum lighting. Completely free of heat and electrical components, light is transmitted into one end of the fiber from a separate BL fiberSOURCE illuminator, offering a safe solution for challenging indoor or outdoor environments

Diameters

BL fiberOPTIC EL 120	1/8"	(Ø 3.2mm)
BL fiberOPTIC EL 150	13/64"	(Ø 5.0mm)
BL fiberOPTIC EL 250	19/64"	(Ø 7.4mm)
BL fiberOPTIC EL 375	27/64"	(Ø 10.6mm)
BL fiberOPTIC EL 500	37/64"	(Ø 14.5mm)

- Life Expectancy 15 years
- Meets ANSI/UL 94-V0
- Chemical, Fungi, Algae Resistant
- Operating Temperature: -40°C to 100°C (-40°F to 212°F)
- Proprietary Monomer Mix, PMMA Core & PVC Cladding
- Black PVC Jacketing



BL fiberOPTIC End Fixtures

Our collection of BL fiberOPTIC End Fixtures add a professional and polished finish to BL fiberOPTIC Endlight in display cases, museums, under cabinets, saunas, and more. Free of heat and electrical components, light is transmitted into one end of the fiber from a separate BL fiberSOURCE illuminator, and travels along the fiber, to emit a radiant illuminance from the end point. BL fiberOPTIC End Fixtures are decorative, functional, and made from high quality materials, in stylish shapes and sizes, with different lens optics to produce a variety of lighting effects. Domed and clear lenses provide focused, heat free beams, perfect for museums, display cases, under cabinets, downlights, highlighting and pin spot illumination. Frosted and flat lenses are a good fit for low profile and small space accent lighting, and multi-faceted crystal glass fixtures produce a shine effect, perfect for creating eye-catching custom chandeliers, luminaires and displays.



SP100
End Fixture
Spotlight

SP200
End Fixture
Spotlight

SN100
End Fixture
Sauna
Dome Lens

SN200
End Fixture
Sauna
Flat Lens

DW100
End Fixture
Down Light

DW200
End Fixture
Down Light

SP Spotlight

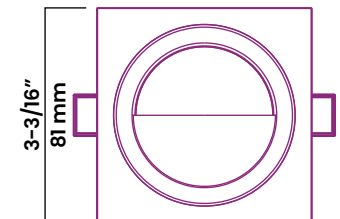
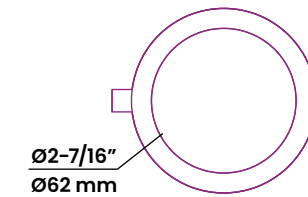
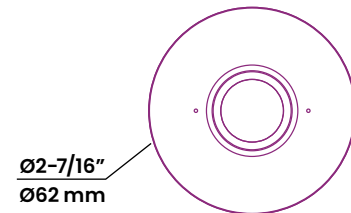
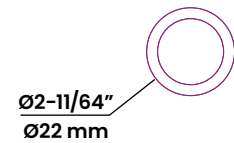
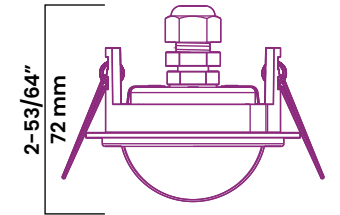
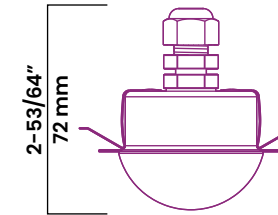
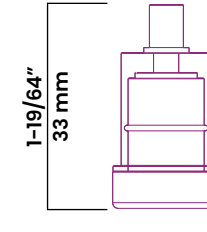
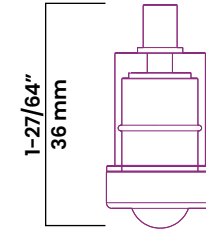
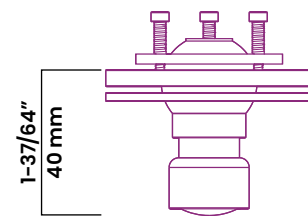
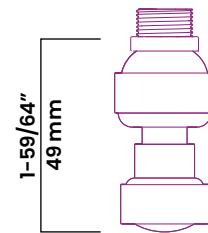
SN Sauna

DW Down Light

GR Ground Light

CH Chandelier

SK Skylight



Specifications subject to change without notice.
Please refer to our website at blighting.com for current technical data.

BL fiberOPTIC End Fixtures

Our collection of BL fiberOPTIC End Fixtures add a professional and polished finish to BL fiberOPTIC Endlight in display cases, museums, under cabinets, saunas, and more. Free of heat and electrical components, light is transmitted into one end of the fiber from a separate BL fiberSOURCE illuminator, and travels along the fiber, to emit a radiant illuminance from the end point. BL fiberOPTIC End Fixtures are decorative, functional, and made from high quality materials, in stylish shapes and sizes, with different lens optics to produce a variety of lighting effects. Domed and clear lenses provide focused, heat free beams, perfect for museums, display cases, under cabinets, downlights, highlighting and pin spot illumination. Frosted and flat lenses are a good fit for low profile and small space accent lighting, and multi-faceted crystal glass fixtures produce a shine effect, perfect for creating eye-catching custom chandeliers, luminaires and displays.



GR100
End Fixture
Ground Light



GR200
End Fixture
Ground Light



CH100
End Fixture
Chandelier



CH200
End Fixture
Chandelier



SK100
End Fixture
Skylight



SK210
End Fixture
Skylight

SP Spotlight

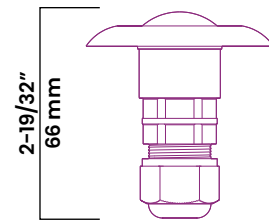
SN Sauna

DW Down Light

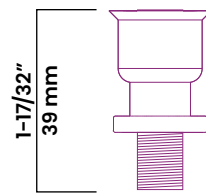
GR Ground Light

CH Chandelier

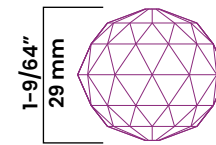
SK Skylight



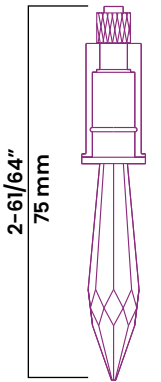
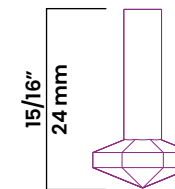
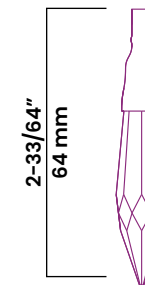
Ø2-23/64"
Ø60 mm



Ø55/64"
Ø22 mm



Ø1-17/64"
Ø32 mm





BL fiberOPTIC Museum
SP 200

BL fiberOPTIC Museum
SP100

BL fiberOPTIC Museum
SP200

BL fiberOPTIC Museum

With a small profile and black or gray trim finish options, BL fiberOPTIC Museum End Fixture is easy to install in common surfaces, adding a professional, and polished finish, to BL fiberOPTIC Endlight. The built in adjustable angle zoom lens allows for customized highlighting of objects, artifacts, pictures and art pieces, and accentuates exhibits with directional spot lighting. Free of electricity and heat output, BL fiberOPTIC is ideal for museums, galleries and precious displays.

BL fiberOPTIC Museum

End Fixture Types	BL fiberOPTIC EF SP100 BL fiberOPTIC EF SP200 BL fiberOPTIC EF SP300 BL fiberOPTIC EF SP400 BL fiberOPTIC EF SP500 BL fiberOPTIC EF SP600 BL fiberOPTIC EF SP700 *Available in Black and Silver finishes
Diameters	1/8" (3mm) 5/32" (4mm) 17/64" (6.9mm) 25/64" (10mm)
Adjustable Angle	43°–79°
Zoom Lens Angle	9°–62°

Light Engines

Illuminator Types	Orion, Mira, Aries
Color/Wheel Option	White Twinkle Wheel RGBW color changing
Power	5W 10W 20W 46W

BL fiberOPTIC Showcase SP200



BL fiberOPTIC Showcase SP100



BL fiberOPTIC Showcase SP200

BL fiberOPTIC Showcase

With a small profile and black or gray material trim finish options, BL fiberOPTIC Showcase End Fixture is easy to install in common surfaces, adding a professional, and polished finish, to BL fiberOPTIC Endlight. The built in adjustable angle zoom lens allows for customized high-lighting of objects, artifacts, pictures and art pieces, and accentuates exhibits with directional spot lighting. Free of electricity and heat output, BL fiberOPTIC is ideal for jewellery, trophy, and retail displays.

BL fiberOPTIC Showcase

End Fixture Types	BL fiberOPTIC EF SP100 BL fiberOPTIC EF SP200 BL fiberOPTIC EF SP300 BL fiberOPTIC EF SP400 BL fiberOPTIC EF SP500 BL fiberOPTIC EF SP600 BL fiberOPTIC EF SP700 *Available in Black and Silver finishes
Diameters	1/8" (3mm) 5/32" (4mm) 17/64" (6.9mm) 25/64" (10mm)
Adjustable Angle	43°–79°
Zoom Lens Angle	9°–62°

Light Engines

Illuminator Types	Orion, Mira, Aries
Color/Wheel Option	White Twinkle Wheel RGBW color changing
Power	5W 10W 20W 46W



BL fiberOPTIC Sauna Endlight
SN100

BL fiberOPTIC Sauna
SN100

BL fiberOPTIC Sauna
SN200

BL fiberOPTIC Sauna Endlight

Providing downlighting with domed or flat lens options, BL fiberOPTIC Sauna Endlight are an ideal low profile solution for accent lighting in saunas, adding a professional, and polished finish, to BL fiberOPTIC. Free of electricity and heat output, and made from high quality stainless steel, BL fiberOPTIC Sauna Endlight is the best option for safe, functional and decorative lighting in spas, saunas and steam rooms.

BL fiberOPTIC Sauna Endlight

End Fixture Types	BL fiberOPTIC EF SN100 BL fiberOPTIC EF SN200 *Available in Silver finish
Diameters	5/64" (2mm) 1/8" (3mm)

Light Engines

Illuminator Types	Orion, Mira,
Color/Wheel Option	White Twinkle Wheel RGBW color changing
Power	5W 10W 20W



BL fiberOPTIC Downlight
DW100

BL fiberOPTIC Downlight
DW100

BL fiberOPTIC Downlight
DW200

BL fiberOPTIC Downlight

Providing sophisticated downlighting with a domed lens and two mounting styles, the low profile BL fiberOPTIC Downlight End Fixtures are free of electricity and heat output, making them a good fit for accents in small spaces and areas with low ceilings. The frosted lens eliminates glare, and the rounded, elegant, low profile shape adds a professional, and polished finish, to BL fiberOPTIC. Perfect for wine cellars, walk-in closets, built-ins, cabinetry and alcoves.

BL fiberOPTIC Downlight

End Fixture Types	BL fiberOPTIC EF DW100 BL fiberOPTIC EF DW200 BL fiberOPTIC EF DW300 *Available in Black and Silver finishes
Diameters	5/32" (4mm) 13/64" (5mm)

Light Engines

Illuminator Types	Orion, Mira, Aries, Petra, Phoenix, Hercules
Color/Wheel Option	White Twinkle Wheel RGBW color changing
Power	5W 10W 20W 46W 90W 120W 150W



BL fiberOPTIC Aqua Endlight
GR100

BL fiberOPTIC Aqua Endlight
GR100

BL fiberOPTIC Aqua Endlight
GR200

BL fiberOPTIC Aqua Endlight

Engineered for underwater, in-grade and hardscape use, BL fiberOPTIC Aqua Endlight End Fixtures are built from high quality stainless steel and ready for the elements. Decorative rounded profiles and fully flat and recessed options add a professional, and polished finish, to BL fiberOPTIC. Free of electricity and heat output, BL fiberOPTIC Aqua End Fixtures are perfect for use in pools, spas, fountains, spray parks, pathways, steps and landscapes.

BL fiberOPTIC Aqua Endlight

End Fixture Types	BL fiberOPTIC EF GR100 BL fiberOPTIC EF GR200 BL fiberOPTIC EF GR300 BL fiberOPTIC EF GR400 BL fiberOPTIC EF GR500 BL fiberOPTIC EF GR600 BL fiberOPTIC EF GR700 BL fiberOPTIC EF GR800 BL fiberOPTIC EF GR900 *Available in Stainless Steel Body
Diameters	5/64" (2mm) 1/8" (3mm) 13/64" (5mm) 25/64" (10mm)

Light Engines

Illuminator Types	Orion, Mira, Aries, Petra, Phoenix, Hercules
Color/Wheel Option	White Twinkle Wheel RGBW color changing
Power	5W 10W 20W 46W 90W 120W 150W

BL fiberOPTIC
Suspended Endlight

BL fiberOPTIC Suspended Endlight
CH100

BL fiberOPTIC Suspended Endlight
CH200

BL fiberOPTIC Suspended Endlight
SK100

BL fiberOPTIC Suspended Endlight
SK210

BL fiberOPTIC Suspended Endlight

Our elegant and stylish collection of BL fiberOPTIC Suspended Endlight emit dazzling light through crystal glass tips in a range of classic shapes, sizes, and mounting base options. Free of electricity and heat output, BL fiberOPTIC Suspended Endlight End Fixtures provide a shine effect, and add bling to retail displays, jewellery cases, art pieces, and custom luminaires. A favorite for contemporary designer chandeliers.

BL fiberOPTIC Suspended End Light

End Fixture Types	CH100	CH800
	CH200	CH900
	CH300	CH000
	CH400	CH110
	CH500	CH120
	CH600	CH130
	CH700	CH140

* Available in crystal glass and gold plated housing

Diameters	5/64" (2mm)
	1/8" (3mm)
	5/32" (4mm)
	13/64" (5mm)

Light Engines

Illuminator Types	Orion, Mira, Aries, Petra, Phoenix, Hercules
Color/Wheel Option	White
	RGBW color changing
Power	5W
	10W
	20W
	46W
	90W
	120W
	150W

BL fiberSOURCE

Our energy efficient LED illuminators are a reliable, compact, quiet and cool solution for lighting BL fiberOPTIC. Options include White LED in a range of CCTs, or RGBW for a dynamic spectrum of color. A Twinkle Wheel and / or Color Wheel may be used for special effects, and models with DMX compatibility allow for highly flexible color customization and dimming control.

**BL fiberSOURCE
Orion 1** 150
5W, 270 lm/unit

**BL fiberSOURCE
Orion 2** 151
10W, 540 lm/unit

**BL fiberSOURCE
Orion 3** 152
5W, 126 lm/unit

**BL fiberSOURCE
Orion 4** 153
5W, 270 lm/unit

**BL fiberSOURCE
Mira** 154
20W, 1900 lm/unit

**BL fiberSOURCE
Aries** 155
46W, 3610 lm/unit

**BL fiberSOURCE
Petra** 156
90W, 5700 lm/unit

**BL fiberSOURCE
Phoenix** 157
120W, 4450 lm/unit

**BL fiberSOURCE
Hercules** 158
150W, 18992 lm/unit



BL fiberSOURCE Orion 1

BL fiberSOURCE Orion 1 is an efficient and compact RGBW 5W LED illuminator. Create vibrant, rich, color changing, dimming and twinkling effects, and control manually by built in switches, or with DMX protocols. Each unit is DMX enabled, and comes equipped with a built in Twinkle Wheel. Perfect for controllable color accents and starfield ceiling panels in home theaters, relaxation rooms and spas.

Lighting

CCT	RGBW
Wheel Options	Twinkle
Power	5W
Lumen	270 lm
Efficacy	54 lm/W

Electrical

Controls	DMX	Switch
Input Voltage	100V–240VAC	
PSU Output	12VDC	
Temp. Range	14°F to 113°F (-10°C to 45°C)	

Mechanical

Environmental	IP20
Aperture Diameter	1-3/16" (30mm)

Specifications subject to change without notice.
Please refer to our website at blighting.com for current technical data.



BL fiberSOURCE Orion 2

BL fiberSOURCE Orion 2 is a compact, dual port, RGBW 10W LED illuminator. With one efficient 5W RGBW LED per port, you can double up the number of fibers from a single light source. Create vibrant, rich, color changing effects, and control by switch on board, or choose from DMX and RF remote control options. Perfect for controllable color accents and starfield ceiling panels in home theaters, relaxation rooms and spas.

Lighting

CCT	RGBW
Power	10W
Lumen	540 lm
Efficacy	54 lm/W

Electrical

Controls	DMX	RF Remote	Switch
Input Voltage	100V–240VAC		
PSU Output	12VDC		
Temp. Range	14°F to 113°F (-10°C to 45°C)		

Mechanical

Environmental	IP20
Aperture Diameter	1-3/16" (30mm)* *(2 Port Apertures)

Specifications subject to change without notice.
Please refer to our website at blighting.com for current technical data. BL fiberSOURCE Series 151



BL fiberSOURCE Orion 3

BL fiberSOURCE Orion 3 is an efficient and compact 5W white LED illuminator, emitting a bright white light and available with your choice of 3000K or 4000K 5W LED. Customize your light output and create special effects with optional Twinkle, Color, or Color + Twinkle Wheel, and easily control dimming, and wheel speed by built in manual switches. Perfect for white light accents and starfield ceiling panels in home theaters, relaxation rooms and spas.

Lighting

CCT	3000K	4000K
Wheel Options	Twinkle	Color
Power	5W	
Lumen	126 lm	
Efficacy	25 lm/W	

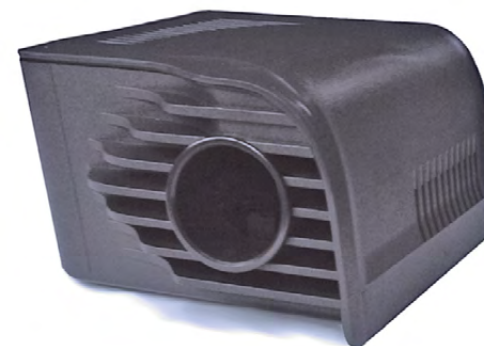
Electrical

Controls	Switch	
Input Voltage	100V–240VAC	
PSU Output	12VDC	
Temp. Range	14°F to 113°F (-10°C to 45°C)	

Mechanical

Environmental	IP20	
Aperture Diameter	1-3/16" (30mm)	

Specifications subject to change without notice. Please refer to our website at bllighting.com for current technical data.



BL fiberSOURCE Orion 4

BL fiberSOURCE Orion 4 is a compact and efficient 5W RGBW illuminator. Create vibrant, rich, color changing effects, and control manually by simple on board switches, or choose the full control option, giving you the ability to synchronize and control multiple units by RF Remote or DMX signal. Perfect for controllable color accents and starfield ceiling panels in home theaters, relaxation rooms and spas.

Lighting

CCT	RGBW
Power	5W
Lumen	270 lm
Efficacy	54 lm/W

Electrical

Controls	DMX	RF Remote	Switch
Input Voltage	100V–240VAC		
PSU Output	12VDC		
Temp. Range	14°F to 113°F (-10°C to 45°C)		

Mechanical

Environmental	IP20
Aperture Diameter	1-3/16" (30mm)

Specifications subject to change without notice. Please refer to our website at bllighting.com for current technical data. BL fiberSOURCE Series 153



BL fiberSOURCE Mira

BL fiberSOURCE Mira is an efficient 20W LED illuminator, emitting a bright 3000K or 4000K white light output of 1900 lm. With a low profile and compact body measuring just 8.75"x4.5"x3.2" BL fiberSOURCE Mira fits easily into small and narrow spaces, and can be dimmed manually or with 010V or DMX protocols. Perfect for small projects, niche accents, and BL fiberOPTIC Starfields.

Lighting

CCT	3000K	4000K
Power	20W	
Lumen	1900lm (4000K)	
Efficacy	95 lm/W	

Electrical

Controls	DMX	0-10V	Switch
Input Voltage	110V–240VAC		
PSU Output	24VDC		
Temp. Range	14°F to 113°F (-10°C to 45°C)		

Mechanical

Environmental	IP20
Aperture Diameter	1-3/16" (30mm)

Specifications subject to change without notice.
Please refer to our website at blighting.com for current technical data.



BL fiberSOURCE Aries

BL fiberSOURCE Aries is a high performance, DMX enabled, RGBW LED illuminator, designed to integrate with BL fiberOPTIC, to create vibrant, rich, color changing effects. The 46W RGBW LED has 50,000 hour lamp life, and can be ordered with a Twinkle Wheel. Take charge of your color changing, dimming or twinkling effects with DMX control, or optional RF Remote. Perfect for decorative accents, color changing starfield ceilings, and creating fun, activated illuminated displays.

Lighting

CCT	RGBW
Wheel Options	Twinkle
Power	46W
Lumen	3610lm
Efficacy	78 lm/W

Electrical

Controls	DMX	RF Remote	Switch
Input Voltage	100V–240VAC		
PSU Output	24VDC		
Temp. Range	14°F to 113°F (-10°C to 45°C)		

Mechanical

Environmental	IP20	IP65
Aperture Diameter	1-3/16" (30mm)	

Specifications subject to change without notice.
Please refer to our website at blighting.com for current technical data. BL fiberSOURCE Series 155



BL fiberSOURCE Petra

BL fiberSOURCE Petra is a powerful 90W LED illuminator, emitting up to 5700 lm, rivaling the brilliant light output of less efficient metal halide lamps, and capable of illuminating long runs of BL fiberOPTIC, perfect for architectural accenting. The white light LED has an average 50,000 hour lamp life, and can be specified in a wide range of Kelvin temperatures, from warm 3000K to a cool 5500K, and can be fitted with either a 6-Color Wheel, or Twinkle Wheel, for special effects. Options available for easy control of your dimming, color changing, or twinkling effects, include a built in manual dimmer, 010V or DMX protocols.

Lighting

CCT	3000K 4000K 5500K
Wheel Options	Twinkle Color
Power	90W
Lumen	4650–5700 lm
Efficacy	52–63 lm/W

Electrical

Controls	DMX 0-10V Switch
Input Voltage	100V–240VAC
PSU Output	24VDC
Temp. Range	14°F to 113°F (-10°C to 45°C)

Mechanical

Environmental	IP20
Aperture Diameter	1-3/16" (30mm)



BL fiberSOURCE Phoenix

BL fiberSOURCE Phoenix is a powerful LED illuminator, emitting 4450 lm of bright light, and capable of illuminating long runs of BL fiberOPTIC, perfect for architectural accenting and large starfield ceilings. The white light only LED option has an average 50,000 hour lamp life, and can be specified in a wide range of Kelvin temperatures, from warm 2800K to a cool 6500K, and is dimmable by 0-10V and DMX systems. The RGBW LED option provides color changing effects, is DMX controllable and available with an optional homogenizer for evenly distributed color and illumination intensity, desirable in BL fiberOPTIC Starfields and projects with many strands of micro fibers. Ideal for architectural highlighting, building outlines, spot lighting, and decorative accents.

Lighting

CCT	2800K 3000K 4200K 4400K	5000K 6500K RGBW RGBA
Wheel Options	Twinkle	
Power	120W	
Lumen	2770–4450 lm	
Efficacy	23–37 lm/W	

Electrical

Controls	DMX 0-10V Switch
Input Voltage	100V–240VAC
PSU Output	24VDC
Temp. Range	32°F to 104°F (0°C to 40°C)

Mechanical

Environmental	IP20
Aperture Diameter	1-3/16" (30mm), 1-5/16" (33mm)



BL fiberSOURCE Hercules

BL fiberSOURCE Hercules is our most powerful LED illuminator, emitting over 18,900 lm of bright, white light, and capable of illuminating the longest runs of BL fiberOPTIC, perfect for architectural accenting. The light source is built with dual fan cooling, includes a white LED light that can be specified in a wide range of Kelvin temperatures, from warm 3000K to a cool 6500K, and has a long 50,000 hour lamp life. Multiple units may be set to a Master / Slave configuration, and are available with 10-Color, Twinkle, or dual Color + Twinkle Wheel options. With preset programs, manual operation is easy using the on board push button controls with rear LCD display, or take control of your dimming, color changing and twinkling effects, with 0-10V or DMX systems. Ideal for building outlines, spot lighting, and decorative accents.

Lighting

CCT	3000K 4000K 5000K 5700K 6500K
Wheel Options	Twinkle Color
Power	150W
Lumen	17974–18992 lm
Efficacy	120–127 lm/W

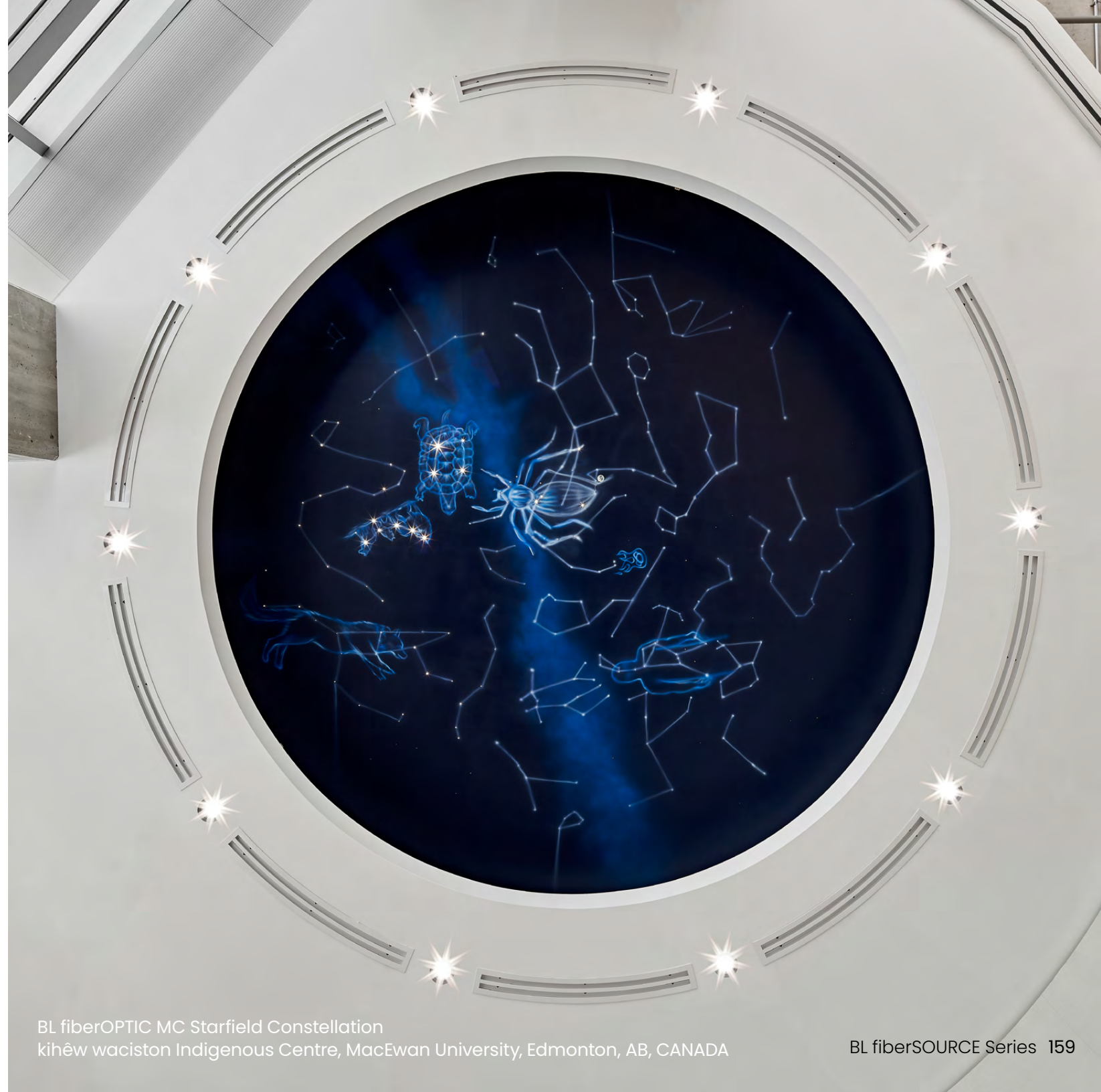
Electrical

Controls	DMX 0-10V Switch
Input Voltage	100V–240VAC
Temp. Range	14°F to 113°F (-10°C to 45°C)

Mechanical

Environmental	IP20
Aperture Diameter	1-3/16" (30mm)

Specifications subject to change without notice.
Please refer to our website at bllighting.com for current technical data.



BL fiberOPTIC MC Starfield Constellation
kihêw waciston Indigenous Centre, MacEwan University, Edmonton, AB, CANADA

BL LUMINAIRES

ILLUMINATE EVERYTHING with our robust and elegant family of luminaires. With low maintenance and high efficiency, BL LUMINAIRES provide vibrant and dynamic lighting solutions for facades, fountains, water features, signage, in-ground lights, accent lighting and offer a multitude of options to highlight architectural features, with just the right light.

BL areaFLOOD
BX2341 163
FLOOD

BL areaCIRCULAR
CR212 165
CIRCULAR

BL areaLINEAR
LN1312 167
LINEAR

BL areaLINEAR
LN8286 169
LINEAR

BL inGROUND
DISK114 171
INGROUND

BL inGROUND
LNR9939 173
RECESSED LINEAR

BL inWATER
HALO195 175
FOUNTAIN

BL puck
Square 177
UNDER CABINET

BL puck
Round 179
UNDER CABINET



BL areaFLOOD
BX2341 RGB

Performance

CCT/Color	Power (W/unit)	Lumens (lm/unit)
3000K	145	8700
4000K	145	10500
6000K	145	11400
RGB	80	3450

BL areaFLOOD BX2341

BL areaFLOOD BX2341 RGB
Cloverdale Casino, Surrey, BC, CANADA

BL areaFLOOD BX2341

BL areaFLOOD BX2341 is a high-performance box floodlight with an exceptional lumen output, and three beam angle options, making it easy to achieve uniform wall wash and floodlight effects, in addition to grazing, accenting and architectural highlighting. A 7'-6" low voltage cable brings safe 24VDC power to the luminaire, which is constructed with durable IP65 rated anodized aluminum housing, and clear tempered glass lens for impressive lighting effects, outdoors or in. Dimmable static color and RGB controllable options create dynamic illumination of landscapes, monuments, multi-tiered structures, canopies and facades.

Lighting

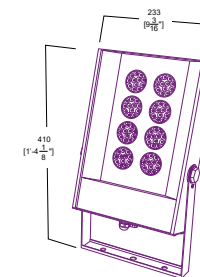
CCT	3000K	4000K	6000K	RGB
Power	80-145 W			
Beam Angle	30°, 40°, 60°			
Lumens	11400 lm/unit (6000K)			
Efficacy	43 lm/W (6000K)			

Electrical

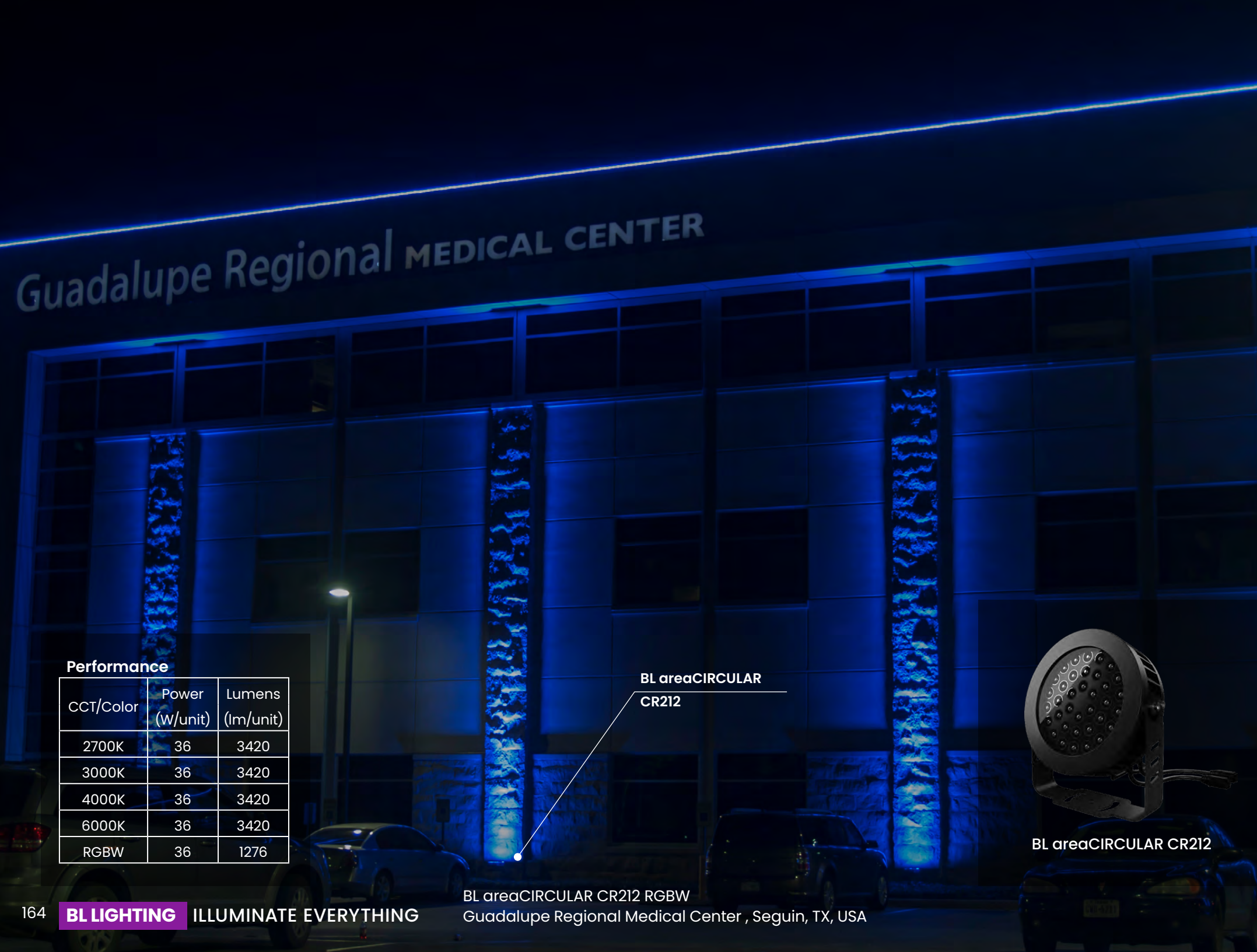
Controls	DMX	Bluetooth
Input Voltage	24VDC	
Connections	18AWG Copper Conductors	
Temp. Range	-4°F to 122°F (-20°C to 50°C)	

Mechanical

Environmental	IP65
Power Cable Length	7.5' (2.28m)
Housing	Anodized Aluminum Body, Tempered Glass Lens
Mounting	Integrated Mounting Bracket, 180° Adjustable Angle



Specifications subject to change without notice. Please refer to our website at blighting.com for current technical data. BL areaFLOOD Series 163



Performance

CCT/Color	Power (W/unit)	Lumens (lm/unit)
2700K	36	3420
3000K	36	3420
4000K	36	3420
6000K	36	3420
RGBW	36	1276

BL areaCIRCULAR CR212



BL areaCIRCULAR CR212

BL areaCIRCULAR CR212 RGBW
Guadalupe Regional Medical Center , Seguin, TX, USA

BL areaCIRCULAR CR212

BL areaCIRCULAR CR212 is a high-performance, efficient, LED flood-light, perfect for wall washing and area flood effects, in addition to grazing, accenting and architectural highlighting. Durably constructed with an internal 100–277VAC power supply, a compact 8.35" diameter black powder coated aluminum housing, clear tempered glass lens, and rated IP66 for wet locations. Static colors and DMX controllable RGBW are available in four beam angle options, perfect for creating dynamic illumination of landscapes, monuments, flag pole lighting, canopies and facades.

Lighting

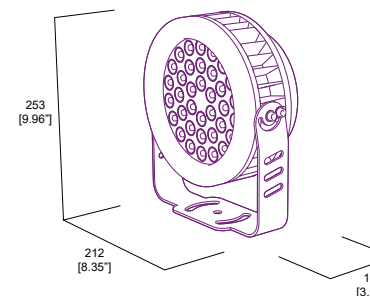
CCT	2700K	3000K	4000K	6000K	RGBW
Power	36W				
Beam Angle	15°, 30°, 45°, 60°				
Lumens	3420 lm/unit (White)				
Efficacy	95 lm/W (White)				

Electrical

Controls	DMX	Bluetooth
Input Voltage	100V–277VAC	
Connections	18AWG Copper Conductors	
Temp. Range	-22°F to 122°F (-30°C to 50°C)	

Mechanical

Environmental	IP66
Power Cable Length	16" (400mm), extendable
Housing	Black Powder Coated Aluminum Body Tempered Glass Lens
Mounting	Integrated Mounting Bracket. 180° Adjustable Angle



Specifications subject to change without notice. Please refer to our website at blighting.com for current technical data. BL areaCIRCULAR Series 165



Performance

CCT/Color	Power (W/unit)	Lumens (lm/unit)
2700K	150	9000
3000	150	9000
4000K	150	9000
6500K	150	9000
RGB30K	150	4725
RGB40K	150	4725
RGB60K	150	4725



BL areaLINEAR LN1312

BL areaLINEAR LN1312

Powerful, efficient, and engineered to deliver exceptional wall washing, grazing and architectural highlighting of exterior facades, signage, bridges and monuments. Vertically illuminate entire buildings with light projection reaching over 300ft in White, RGBW or Pixel Chasing configurations, with an impressive output of up to 9000 lumens, in five beam angle options. Durably constructed with anodized aluminum housing, shatter-resistant glass lens, weatherproof line voltage power cables, integral 100-277VAC power supply, dmx decoder, and two, 180° on board adjustable mounting brackets that allow for precise light distribution. Perfect for dynamic illumination of spatial envelopes in urban settings.

Lighting

CCT	2700K	3000K	4000K	6500K
	RGB30K	RGB40K	RGB60K	
Power	150W			
Beam Angle	3°, 8°, 15°, 25°, 10°x45°			
Lumens	9000 lm/unit (4000K)			
Efficacy	60 lm/W (4000K)			

Electrical

Controls	DMX, IC (Pixel), Bluetooth
Input Voltage	100V-277VAC
Connections	17AWG, Copper conductors
Temp. Range	-4°F to 122°F (-20°C to 50°C)

Mechanical

Environmental	IP66
Power Cable Length	1' (300mm), extendable
DMX Cable Length	1' (300mm), extendable
Housing	Aluminum Body, Tempered Glass Lens
Mounting	Integrated Mounting Bracket. 180° Adjustable Angle



BL areaLINEAR
LN8286

Performance

CCT/Color	Power (W/unit)	Lumens (lm/unit)
3000K	65	4050
4000K	65	3900
RGB-NW	65	2086
RGB-WW	65	1950

BL areaLINEAR LN8286 6000K
Marcon Sign, Burnaby, BC, CANADA

BL areaLINEAR LN8286

BL areaLINEAR LN8286 is a high-performance, low-profile, linear LED facade light, perfect for wall washing and area flood effects, in addition to grazing, accenting, backlighting, and architectural highlighting. Each 4ft luminaire is durably constructed with an internal 100-277VAC power supply, anodized aluminum housing, and tempered glass lens, is rated IP65 for wet locations, and comes with two 180° adjustable mounting brackets. Static colors and DMX controllable RGBW are available in three beam angle options, perfect for creating dynamic illumination of landscapes, signage, monuments, multi-tiered structures, canopies and facades.

Lighting

CCT	3000K	4000K	RGB30K	RGB40K
Power	65 W			
Beam Angle	15°, 30°, 40°			
Lumens	4050 lm/unit (3000K)			
Efficacy	62 lm/W (3000K)			

Electrical

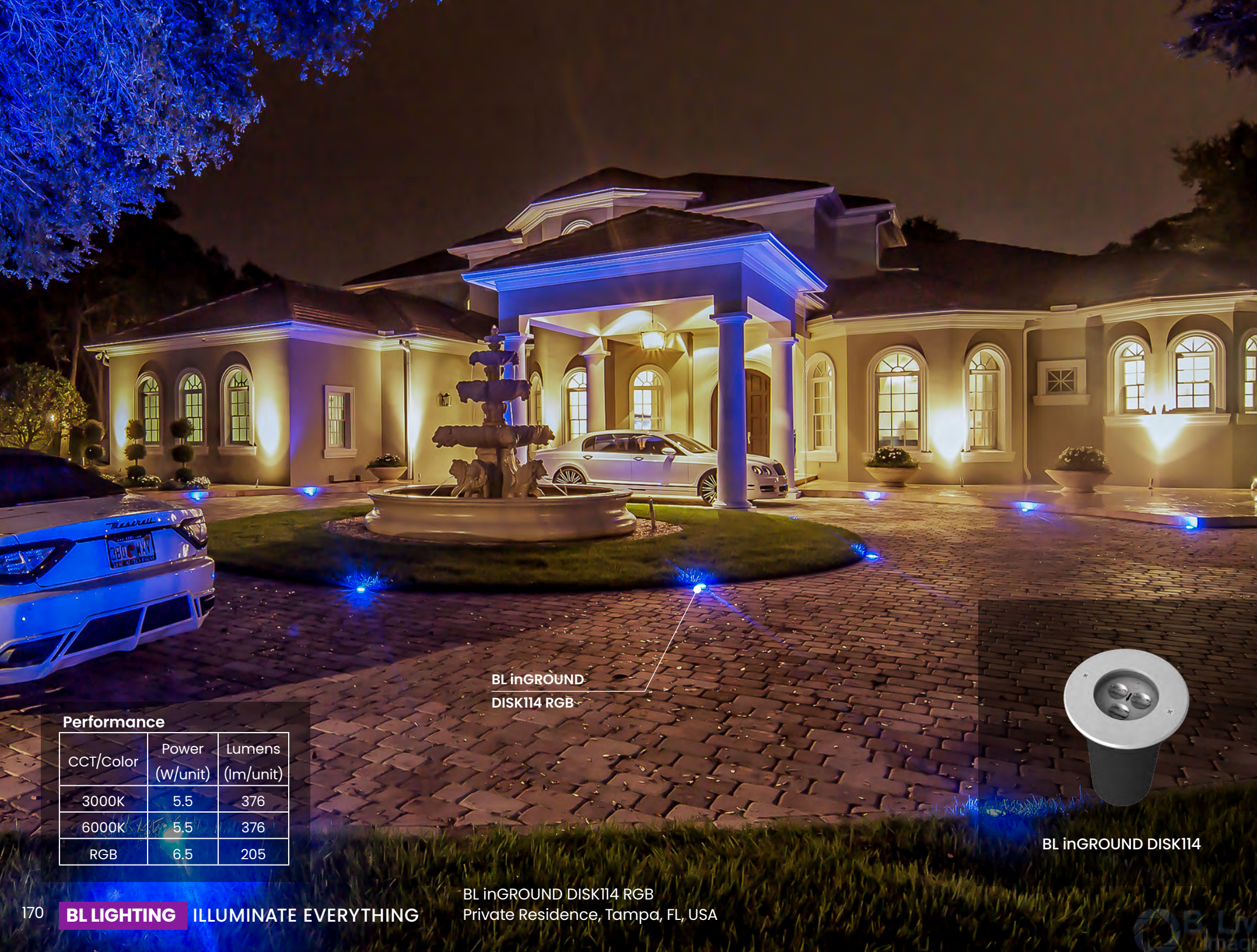
Controls	0-10V	DMX	Bluetooth
Input Voltage	100V-277VAC		
DMX In/Out	XLR 3pin		
Temp. Range	-4°F to 104°F (-20°C to 40°C)		

Mechanical

Environmental	IP65
Power Cable Length	32.8FT (10m)
DMX Cable Length	17" (430mm)
Housing	Aluminum Body, Tempered Glass Lens
Mounting	Integrated Mounting Bracket. 180° Adjustable Angle



BL areaLINEAR LN8286



Performance

CCT/Color	Power (W/unit)	Lumens (lm/unit)
3000K	5.5	376
6000K	5.5	376
RGB	6.5	205

BL inGROUND
DISK114 RGB



BL inGROUND DISK114

BL inGROUND DISK114

BL inGROUND DISK114 ground recessed uplights are built to blend seamlessly into the landscape, and ideal for vertical highlighting of features such as columns, porticoes, garden walls, and tree silhouettes. Available with your choice of 30° or 45° beam angles, in 3000K, 6000K or RGB options. The unit is durably constructed with a die-cast aluminum body, a 316 stainless steel trim and a tempered glass lens while the mounting boot allows uniform and fast installations. Low profile and efficient, these well lights are rated IP67, and are treadable, with a 2000lb weight bearing capacity, perfect for installation in pavers, on decks, patios and along paths and walkways.

Lighting

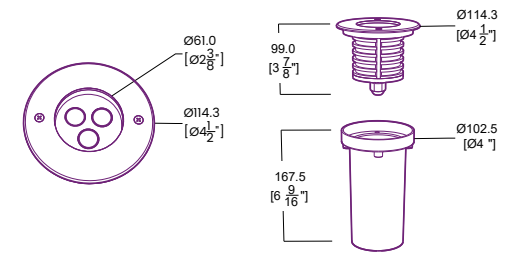
CCT	3000K	6000K	RGB
Power	5.5–6.5 W		
Beam Angle	30°, 45°		
Lumens	376 lm/unit (6000K)		
Efficacy	72 lm/W (6000K)		

Electrical

Controls	DMX	Bluetooth
Input Voltage	24VDC	
Connections	16AWG, Copper Conductors	
Temp. Range	-4°F to 104°F (-20°C to 40°C)	

Mechanical

Environmental	IP67
Power Cable Length	1.6' (0.5m)
Housing	Die-Cast Aluminum Body, 316 Stainless Steel Trim Tempered Glass Lens, PVC Mounting Boot
Weight Bearing Capacity	2000lb (907kg)



Specifications subject to change without notice. Please refer to our website at blighting.com for current technical data. BL inGROUND Series 171





BL inGROUND
LNR9939

BL inGROUND
LNR9939

BL inGROUND LNR9939

Performance – 1FT units

CCT/Color	Power (W/unit)	Lumens (lm/unit)
2400K	5	100
3000K	5	103
4000K	5	110
6000K	5	78
RGBW	5	62

BL inGROUND LNR9939

The BL inGROUND LNR 9939 recessed linear lights are built to blend seamlessly into the landscape. With a 1100lbf weight bearing capacity, the in-grade LEDs are treadable and ideal for wayfinding, safety lighting and delineation in plazas, walkways and public spaces. Each unit is IP67 rated and comes with a recessed aluminum housing that is engineered for use in any indoor or outdoor flush mount installation. A custom corrosion resistant coating is available for outdoor applications in harsh environments. Each 1ft or 3ft section includes weatherproof quick connectors, allowing for easy linking of multiple units up to 12ft. LEDs are tightly spaced and diffused to provide even illumination along the durable acrylic lens optic, and luminaires are also wall mountable, adding eye-catching accents to modern hard-scape applications.

Lighting

CCT	2400K	3000K	4000K	6000K	RGBW
CRI	88 (3000K)				
Power	5W, 15W				
Beam Angle	120°				
Lumens	110 lm/FT				
Efficacy	22 lm/W				

Electrical

Controls	0-10V	MLV	ELV	Triac	Phase Cut
	DMX	Bluetooth			
Input Voltage	24VDC				
Connections	18AWG, Copper Conductors				
Temp. Range	-4°F to 104°F (-20°C to 40°C)				

Mechanical

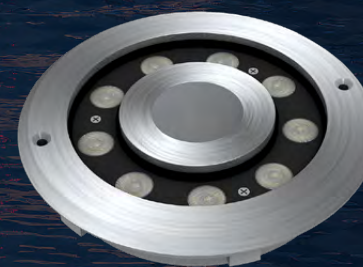
Environmental	IP67
Max. Run Length	12' per series
Housing	Aluminum Body, Acrylic Lens
Weight Bearing Capacity	1100 lb (500 kg)



BL inWATER
HALO195

Performance for 25° Beam Angle

CCT/Color	Power (W/unit)	Lumens (lm/unit)
3000K	20	890
4000K	20	920
6000K	20	950
Red	20	300
Green	20	740
Blue	20	105
RGB	32	1145



BL inWATER HALO195

BL inWATER HALO195

For fountain applications where 360° spray illumination is desired, BL inWATER HALO195 creates a brilliant ring of active uplighting. Durable construction with stainless steel housing and a tempered glass lens, the 2" (50mm) diameter center sleeve opening facilitates easy horizontal mounting, slipping onto a spray nozzle riser like a ring. IP68 rated and designed for permanent submersion up to 16ft (5m) depth, bring your water fountain feature to life with beautiful light.

Lighting

CCT	3000K	4000K	6000K	
	Red	Green	Blue	RGB
Power	20-32 W			
Beam Angle	5°, 15°, 25°, 45°, 60°			
Lumens	950 lm/unit (6000K)			
Efficacy	47 lm/W (6000K)			

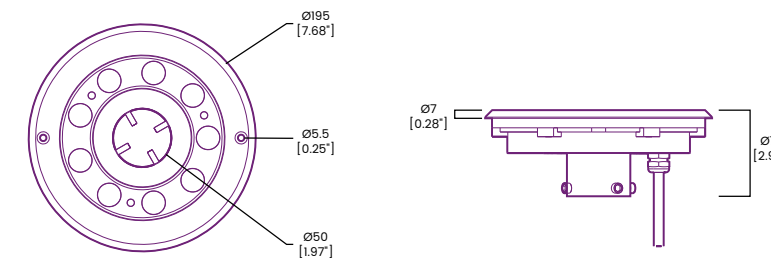
Electrical

Controls	0-10V	DMX	Bluetooth
Input Voltage	24VDC		
Connections	18AWG, Copper Conductors		
Temp. Range	-13°F to 113°F (-25°C to 45°C)		

Mechanical

Environmental	IP68
Power Cable Length	49' (15m)
Max. Submersion Depth	16'-4" (5m)

*for permanent submersion



Specifications subject to change without notice. Please refer to our website at bllighting.com for current technical data.



BL puck
Square

Performance

CCT	Power (W/unit)	Lumens (lm/unit)
2700K	3.6	235
3000K	3.6	254
4000K	3.6	276
6000K	3.6	296

BL puck Square

BL puck Square

This unique square shaped, ultra-thin puck light, has a slim, low profile and modern design that provides an elegant surface mounted lighting solution. The acrylic lens beautifully diffuses the light, making BL puck Square ideal for task lights over counters, and highlighting of decorative objects. A low operating temperature, high CRI, and dimming capability, provide a perfect lighting solution for underneath kitchen cabinetry, niches, closets, and more. Trims are available in black, white, and silver finish.

Lighting

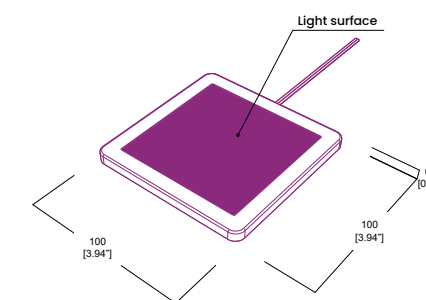
CCT	2700K	3000K	4000K	6000K
CRI	97 (3000K)			
Power	3.6 W			
Beam Angle	120°			
Lumens	296 lm/unit (6000K)			
Efficacy	82 lm/W (6000K)			

Electrical

Controls	0-10V	MLV	ELV	Triac	Phase Cut
	DMX	Bluetooth			
Input Voltage	12VDC				
Connections	24AWG, Copper Conductors				
Temp. Range	32°F to 104°F (0°C to 40°C)				

Mechanical

Housing	ABS Body, Acrylic Lens, Nickel Trim
Weight	2.8oz (79g)
Power Cable Length	23.6" (60cm)



Specifications subject to change without notice.
Please refer to our website at bllighting.com for current technical data.



BL puck
Round

Performance

CCT	Power (W/unit)	Lumens (lm/unit)
2700K	3.6	237
3000K	3.6	257
4000K	3.6	272
6000K	3.6	287

BL puck Round

Our circular shaped, ultra-thin puck light, has a slim, low profile design that provides an elegant surface mounted lighting solution. The acrylic lens beautifully diffuses the light, making BL puck Round ideal for task lights over counters, and highlighting of decorative objects. A low operating temperature, high CRI, and dimming capability, provide a perfect lighting solution for underneath kitchen cabinetry, niches, closets, and more. Trims are available in black, white, and silver finish.

Lighting

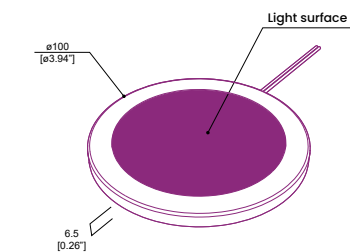
CCT	2700K	3000K	4000K	6000K
CRI	95 (3000K)			
Power	3.6 W			
Beam Angle	120°			
Lumens	287 lm/unit (6000K)			
Efficacy	80 lm/W (6000K)			

Electrical

Controls	0-10V	MLV	ELV	Triac	Phase Cut
	DMX	Bluetooth			
Input Voltage	12VDC				
Connections	24AWG, Copper Conductors				
Temp. Range	32°F to 104°F (0°C to 40°C)				

Mechanical

Housing	ABS Body, Acrylic Lens, Nickel Trim
Weight	2.4oz (68g)
Power Cable Length	23.6" (60cm)



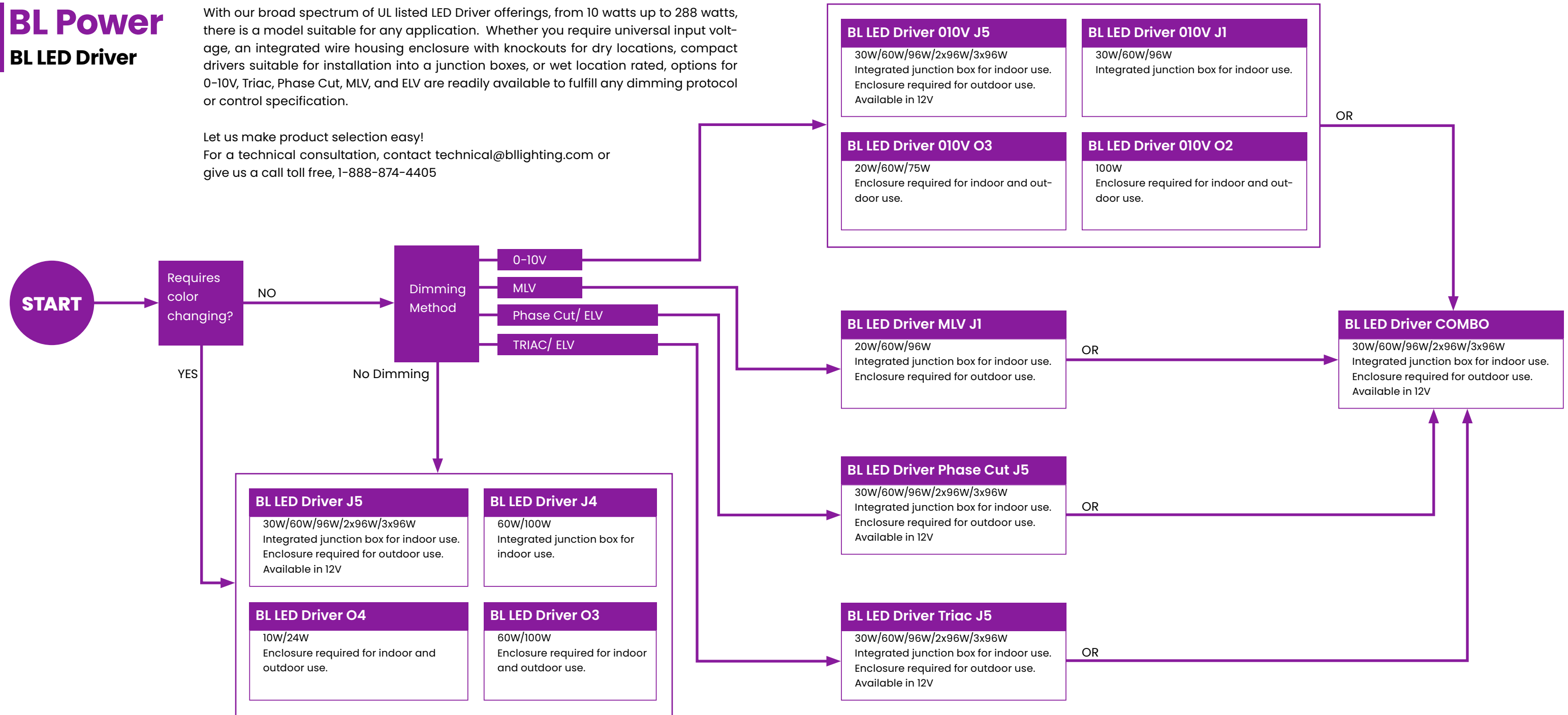
BL puck Round

BL Power

BL LED Driver

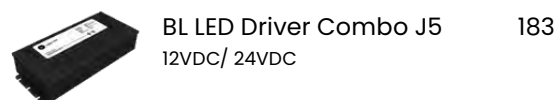
With our broad spectrum of UL listed LED Driver offerings, from 10 watts up to 288 watts, there is a model suitable for any application. Whether you require universal input voltage, an integrated wire housing enclosure with knockouts for dry locations, compact drivers suitable for installation into a junction boxes, or wet location rated, options for 0-10V, Triac, Phase Cut, MLV, and ELV are readily available to fulfill any dimming protocol or control specification.

Let us make product selection easy!
For a technical consultation, contact technical@bllighting.com or give us a call toll free, 1-888-874-4405



BL Power

The BL Power Series includes a wide selection of UL listed, constant voltage, Class 2 LED Drivers, ranging in output from 10W to 288W. Available with variable input voltage options, and suitable for wet or dry locations, there is a model fit for any application. Our versatile line includes ELV, MLV, 0-10V, Phase Cut and Triac dimmable LED drivers, all in stock and readily available to fulfill any dimming protocol or control specification.



BL LED Driver Combo J5
12VDC/ 24VDC 183



BL LED Driver 010V J5
12VDC/ 24VDC 184



BL LED Driver Phase Cut J5
12VDC/ 24VDC 185



BL LED Driver Triac J5
12VDC/ 24VDC 186



BL LED Driver J5
12VDC/ 24VDC 187



BL LED Driver MLV J1
24VDC 188



BL LED Driver 010V J1
24VDC 189



BL LED Driver 010V O2
24VDC 190



BL LED Driver 010V O3
24VDC 191



BL LED Driver O3
24VDC 192



BL LED Driver J4
24VDC 193



BL LED Driver COMBO J5 3x96W
11-27/32" x 4-21/64" x 1-49/64"
(301mm x 110mm x 45mm)

BL LED Driver COMBO J5 2x96W
10-15/16" x 4-21/64" x 1-49/64"
(278mm x 110mm x 45mm)

BL LED Driver COMBO J5 96W
8-21/32" x 3-23/32" x 1-37/64"
(220mm x 94.5mm x 40mm)

BL LED Driver COMBO J5 60W
7-13/32" x 3-23/32" x 1-37/64"
(188mm x 94.5mm x 40mm)

BL LED Driver COMBO J5 30W
6-1/2" x 3-23/32" x 1-37/64"
(165mm x 94.5mm x 40mm)

BL LED Driver COMBO J5

The BL LED COMBO J5 is our most versatile LED Driver, as it is compatible with TRIAC, ELV, 0-10V, Phase Cut and MLV dimming protocols and is available in a range of sizes that can power up to 288W over 3x96W output channels. These Class 2, UL approved, constant voltage LED drivers have a universal 100-277VAC input voltage, and are enclosed in a low profile housing with integrated wiring compartments, making installation easy.

Electrical

Input Voltage	100V–277VAC
Power	96W (available in 30W, 60W, 192W, 288W)
Output Voltage	24VDC, Constant Voltage (available in 12VDC)
Dimming	0–10V, MLV, ELV, Phase Cut, Triac
Min. Dimming Level	0%
Power Factor	0.95–0.98
Min. Load	10W
Max Output Current	4.0A
Connections	16AWG, Copper Conductors
Input Frequency	47–63 Hz
Max Input Current	1.3A
Ambient Temperature	–40°F to 140°F (–40°C to 60°C)
Max. Case Temperature	158°F (70°C)
Circuit	Class 2

Mechanical

Housing Construction	Anodized Aluminum
Weight	2.9lb (1.3kg)
Environmental	IP65

Specifications subject to change without notice.
Please refer to our website at blighting.com for current technical data.
Connections must be protected, may require UL approved enclosure



BL LED Driver 010V J5 3x96W
11-27/32" x 5-33/64" x 1-49/64"
(301mm x 140mm x 45mm)

BL LED Driver 010V J5 2x96W
10-15/16" x 5-1/8" x 1-49/64"
(278mm x 130mm x 45mm)

BL LED Driver 010V J5 96W
8-21/32" x 3-23/32" x 1-37/64"
(220mm x 94.5mm x 40mm)

BL LED Driver 010V J5 60W
7-13/32" x 3-23/32" x 1-37/64"
(188mm x 94.5mm x 40mm)

BL LED Driver 010V J5 30W
6-1/2" x 3-23/32" x 1-37/64"
(165mm x 94.5mm x 40mm)

BL LED Driver 010V J5

Featuring smooth 0-10V dimming, the BL LED Driver 010V J5 are Class 2 UL Listed and have a universal 100-277VAC input voltage. Available in a range of sizes that can power up to 288W over 3x96W output channels, these constant voltage LED Drivers are enclosed in a low profile housing with integrated wiring compartments, making installation easy.

Electrical

Input Voltage	120V-277VAC
Power	96W (available in 30W, 60W, 192W, 288W)
Output Voltage	24VDC, Constant Voltage (available in 12VDC)
Dimming	0-10V
Min. Dimming Level	0%
Power Factor	0.95-0.98
Min. Load	0W
Max Output Current	4.0A
Connections	16AWG, Copper Conductors
Input Frequency	47-63 Hz
Max Input Current	1.3A
Ambient Temperature	-40°F to 140°F (-40°C to 60°C)
Max. Case Temperature	158°F (70°C)
Circuit	Class 2

Mechanical

Housing Construction	Anodized Aluminum
Weight	3.0lb (1.37kg)
Environmental	IP65

Specifications subject to change without notice.
Please refer to our website at blighting.com for current technical data.
Connections must be protected, may require UL approved enclosure



BL LED Driver Phase Cut J5 3x96W
11-27/32" x 4-21/64" x 1-49/64"
(301mm x 110mm x 45mm)

BL LED Driver Phase Cut J5 2x96W
10-15/16" x 4-21/64" x 1-49/64"
(278mm x 110mm x 45mm)

BL LED Driver Phase Cut J5 96W
8-21/32" x 3-23/32" x 1-37/64"
(220mm x 94.5mm x 40mm)

BL LED Driver Phase Cut J5 60W
7-13/32" x 3-23/32" x 1-37/64"
(188mm x 94.5mm x 40mm)

BL LED Driver Phase Cut J5 30W
6-1/2" x 3-23/32" x 1-37/64"
(165mm x 94.5mm x 40mm)

BL LED Driver Phase Cut J5

Compatible with Phase Cut, ELV and MLV dimming protocols, the BL LED Driver Phase Cut J5 is Class 2 UL Listed and have a universal 100-277VAC input voltage. Available in a range of sizes that can power up to 288W over 3x96W output channels, these constant voltage LED Drivers are enclosed in a low profile housing with integrated wiring compartments, making installation easy.

Electrical

Input Voltage	100V-277VAC
Power	96W (available in 30W, 60W, 192W, 288W)
Output Voltage	24VDC, Constant Voltage (available in 12VDC)
Dimming	Phase cut, MLV, ELV
Min. Dimming Level	0%
Power Factor	0.96-0.98
Min. Load	10W
Max Output Current	4.0A
Connections	16AWG, Copper Conductors
Input Frequency	47-63 Hz
Max Input Current	1.3A
Ambient Temperature	-40°F to 140°F (-40°C to 60°C)
Max. Case Temperature	158°F (70°C)
Circuit	Class 2

Mechanical

Housing Construction	Anodized Aluminum
Weight	3.0lb (1.37kg)
Environmental	IP65

Specifications subject to change without notice.
Please refer to our website at blighting.com for current technical data.
Connections must be protected, may require UL approved enclosure



BL LED Driver Triac J5 3x96W
11-27/32" x 4-21/64" x 1-49/64"
(301mm x 110mm x 45mm)

BL LED Driver Triac J5 2x96W
10-15/16" x 4-21/64" x 1-49/64"
(278mm x 110mm x 45mm)

BL LED Driver Triac J5 96W
8-21/32" x 3-23/32" x 1-37/64"
(220mm x 94.5mm x 40mm)

BL LED Driver Triac J5 60W
7-13/32" x 3-23/32" x 1-37/64"
(188mm x 94.5mm x 40mm)

BL LED Driver Triac J5 30W
6-1/2" x 3-23/32" x 1-37/64"
(165mm x 94.5mm x 40mm)

BL LED Driver Triac J5

Compatible with TRIAC, ELV and MLV dimming protocols, the BL LED Driver TRIAC J5 are Class 2 UL Listed and have a universal 100–277VAC input voltage. Available in a range of sizes that can power up to 288W over 3x96W output channels, these constant voltage LED Drivers are enclosed in a low profile housing with integrated wiring compartments, making installation easy.

Electrical

Input Voltage	100V–277VAC
Power	96W (available in 30W, 60W, 192W, 288W)
Output Voltage	24VDC, Constant Voltage (available in 12VDC)
Dimming	Triac, MLV, ELV
Min. Dimming Level	0%
Power Factor	0.96–0.98
Min. Load	10W
Max Output Current	4.0A
Connections	16AWG, Copper Conductors
Input Frequency	47–63 Hz
Max Input Current	1.3A
Ambient Temperature	–40°F to 140°F (–40°C to 60°C)
Max. Case Temperature	158°F (70°C)
Circuit	Class 2

Mechanical

Housing Construction	Anodized Aluminum
Weight	3.0lb (1.37kg)
Environmental	IP65

Specifications subject to change without notice.
Please refer to our website at blighting.com for current technical data.
Connections must be protected, may require UL approved enclosure



BL LED Driver J5 3x96W
11-27/32" x 4-21/64" x 1-49/64"
(301mm x 110mm x 45mm)

BL LED Driver J5 2x96W
10-15/16" x 4-21/64" x 1-49/64"
(278mm x 110mm x 45mm)

BL LED Driver J5 96W
8-21/32" x 3-23/32" x 1-37/64"
(220mm x 94.5mm x 40mm)

BL LED Driver J5 60W
7-13/32" x 3-23/32" x 1-37/64"
(188mm x 94.5mm x 40mm)

BL LED Driver J5 30W
6-1/2" x 3-23/32" x 1-37/64"
(165mm x 94.5mm x 40mm)

BL LED Driver J5

BL LED Driver J5 are Class 2, UL Listed, constant voltage LED Drivers perfectly compatible with low-voltage, RGBW & Tunable lighting systems. With a universal 100–277VAC input voltage and available in a range of sizes that can power up to 288W over 3x96W output channels, these constant voltage LED Drivers are enclosed in a low profile housing with integrated wiring compartments, making installation easy.

Electrical

Input Voltage	100V–277VAC
Power	96W (available in 30W, 60W, 192W, 288W)
Output Voltage	24VDC, Constant Voltage (available in 12VDC)
Dimming	Non-dimmable
Power Factor	0.97–0.99
Min. Load	0W
Max Output Current	4.0A
Connections	16AWG, Copper Conductors
Input Frequency	47–63 Hz
Max Input Current	1.5A
Ambient Temperature	–40°F to 140°F (–40°C to 60°C)
Max. Case Temperature	158°F (70°C)
Circuit	Class 2

Mechanical

Housing Construction	Anodized Aluminum
Weight	2.9lb (1.3kg)
Environmental	IP65

Specifications subject to change without notice.
Please refer to our website at blighting.com for current technical data.
Connections must be protected, may require UL approved enclosure



BL LED Driver MLV J1

Featuring flicker-free dimming to 25% with any standard MLV TRIAC dimmer, the BL LED Driver MLV J1 is Class 2 UL Listed and phase dimmable. The low profile aluminum housing has a built in wiring compartment with two 1/2" knockouts, eliminating the need for a separate junction box, making installation easy.

Electrical

Input Voltage	120VAC
Power	96W (available in 20W and 60W)
Output Voltage	24VDC, Constant Voltage
Dimming	MLV
Min. Dimming Level	25%
Power Factor	0.95
Min. Load	8W
Max Output Current	4A
Connections	14AWG, Copper Conductors
Input Frequency	50/60 Hz
Max Input Current	1A
Ambient Temperature	-22°F to 122°F (-30°C to 50°C)
Max. Case Temperature	176°F (80°C)
Circuit	Class 2

Mechanical

Housing Construction	Anodized Aluminum
Weight	17oz (481g)
Environmental	NEMA 3R



BL LED Driver MLV J1 96W
BL LED Driver MLV J1 60W
BL LED Driver MLV J1 20W

6-49/64" x 2-43/64" x 1-17/64"
(171.9mm x 67.8mm x 32mm)



BL LED Driver 010V J1 96W
BL LED Driver 010V J1 60W
BL LED Driver 010V J1 30W

6-19/64" x 1-37/64" x 63/64"
(160mm x 40mm x 25mm)

BL LED Driver 010V J1

Featuring flicker-free 0-10V dimming to 1%, the BL LED Driver 010V J1 is Class 2 UL Listed and has a universal 120-277VAC input voltage. The low profile housing includes separated input and output wiring compartments, each with three 7/8" sized knockouts, making installation easy.

Electrical

Input Voltage	120V-277VAC
Power	96W (available in 30W and 60W)
Output Voltage	24VDC, Constant Voltage
Dimming	0-10V
Min. Dimming Level	1%
Power Factor	0.95
Min. Load	0%
Max Output Current	4.1A
Connections	18AWG, Copper Conductors
Input Frequency	50/60 Hz
Max Input Current	0.96A
Ambient Temperature	-4°F to 104°F (-20°C to 40°C)
Max. Case Temperature	176°F (80°C)
Circuit	Class 2

Mechanical

Housing Construction	Anodized Aluminum PVC Junctions
Weight	30.95oz (878g)
Environmental	IP65

Specifications subject to change without notice.
Please refer to our website at blighting.com for current technical data.
Connections must be protected, may require UL approved enclosure

Specifications subject to change without notice.
Please refer to our website at blighting.com for current technical data.
Connections must be protected, may require UL approved enclosure



BL LED Driver 010V O2 100W
9-31/64" x 2-13/32" x 1-29/64"
(241mm x 61mm x 37mm)

BL LED Driver 010V O2

The BL LED Driver 010V O2 is a 100 Watt, 24VDC, LED Driver that provides superior 0-10V dimming capability, and a universal 120-277VAC input voltage. The compact design is easy to fit into a compatible BL Enclosure.

Electrical

Input Voltage	120V–277VAC
Power	100W
Output Voltage	24VDC, Constant Voltage
Dimming	0-10V
Min. Dimming Level	15%
Power Factor	0.95
Min. Load	10%
Max Output Current	4.1A
Connections	18AWG, Copper Conductors
Input Frequency	50/60 Hz
Max Input Current	0.98A
Ambient Temperature	-4°F to 104°F (-20°C to 40°C)
Max. Case Temperature	194°F (90°C)
Circuit	Class 2

Mechanical

Housing Construction	Anodized Aluminum
Weight	32oz (898g)
Environmental	IP65



BL LED Driver 010V O3 75W
BL LED Driver 010V O3 60W
9-31/64" x 1-11/16" x 1-7/32"
(241mm x 43mm x 31mm)

BL LED Driver 010V O3

The BL LED Driver 010V O3 are 24VDC LED Drivers that provide superior 0-10V dimming performance up to 75 Watts, and a universal 100-277VAC input voltage. Their compact designs are easy to fit into compatible BL Enclosures.

Electrical

Input Voltage	100V–277VAC
Power	75W (available in 20W and 60W)
Output Voltage	24VDC, Constant Voltage
Dimming	0-10V
Min. Dimming Level	10%
Power Factor	0.9
Min. Load	0%
Max Output Current	3.125A
Connections	18AWG, Copper Conductors
Input Frequency	50/60 Hz
Max Input Current	0.90A
Ambient Temperature	-4°F to 127°F (-20°C to 53°C)
Max. Case Temperature	194°F (90°C)
Circuit	Class 2

Mechanical

Housing Construction	Anodized Aluminum
Weight	22.4oz (634g)
Environmental	IP64



BL LED Driver 010V O3 20W
6-19/64" x 1-37/64" x 63/64"
(160mm x 40mm x 25mm)



BL LED Driver O3 100W
 BL LED Driver O3 60W
 9-31/64" x 1-11/16" x 1-7/32"
 (241mm x 43mm x 31mm)

BL LED Driver O3

BL LED Driver O3 are Class 2, constant voltage, 24VDC LED Drivers are perfectly compatible with low-voltage, DMX or Bluetooth systems. Features include universal 100-277VAC input voltage and side mount tabs for ease of installation, with compact designs that are easy to fit into compatible BL Enclosures.

Electrical

Input Voltage	100V-277VAC
Power	100W (available in 60W)
Output Voltage	24VDC, Constant Voltage
Dimming	Non-dimmable
Power Factor	0.9
Min. Load	0%
Max Output Current	4.17A
Connections	18AWG, Copper Conductors
Input Frequency	50/60 Hz
Max Input Current	0.92A
Ambient Temperature	-4°F to 127°F (-20°C to 53°C)
Max. Case Temperature	194°F (90°C)
Circuit	Class 2

Mechanical

Housing Construction	Anodized Aluminum
Weight	22.4oz (634g)
Environmental	IP64

Specifications subject to change without notice.
 Please refer to our website at blighting.com for current technical data.
 Connections must be protected, may require UL approved enclosure



BL LED Driver J4 100W
 11-1/32" x 3" x 1-3/8" (280mm x 76.2mm x 34.8mm)

BL LED Driver J4 60W
 9-1/16" x 3" x 1-13/32" (230mm x 76.2mm x 35.6mm)

BL LED Driver J4

BL LED Driver J4 are Class 2, UL approved, constant voltage, 24VDC LED Drivers perfectly compatible with low-voltage, RGBW and Tunable systems. 100W and 60W models feature separated input and output wiring compartments with knockouts, while compact 24W and 10W models are easily installed in standard small junction boxes. 100W, 60W and 24W models have a universal 120-277VAC input voltage and side mount tabs for ease of installation

Electrical

Input Voltage	120V-277VAC
Power	100W (available in 10W, 24W and 60W)
Output Voltage	24VDC, Constant Voltage
Dimming	Non-dimmable
Power Factor	0.9
Min. Load	10%
Max Output Current	4.17A
Connections	18AWG, Copper Conductors
Input Frequency	50/60 Hz
Max Input Current	0.94A
Ambient Temperature	-22°F to 131°F (-30°C to 55°C)
Max. Case Temperature	194°F (90°C)
Circuit	Class 2

Mechanical

Housing Construction	Anodized Aluminum
Weight	39.2oz (1111g)
Environmental	IP65

Specifications subject to change without notice.
 Please refer to our website at blighting.com for current technical data.
 Connections must be protected, may require UL approved enclosure



BL Power SP PWR

Designed to protect electrical devices from voltage spikes, surge protectors provide additional support by reliably detecting and suppressing excess voltage from power surges, safely diverting the extra electricity to ground. A simple receptacle-style interface makes BL Power SP PWR adaptable to any environment that requires plug-in LED lighting products. Recommended for all LED lighting systems.

Electrical

Input Voltage	120VAC
Protection	Type 3 SPD Overload Protection (15A) Power Shutdown Protection EMI/RFI Noise Filter Wire Fault and Protection Indicator
Max. Surge Current Rating	18 000A
Max. Clamping Voltage	400V – 500V
Connections	Male/Female

Mechanical

Housing Construction	Plastic
Weight	1.69oz (48g)
Environmental	IP20
Size	2-37/64" x 2-1/32" x 1-3/16" (65.5mm x 51.4mm x 30.1mm)



BL Power SP UNI

Designed to protect electrical devices from voltage spikes, surge protectors provide additional support by reliably detecting and suppressing excess voltage from power surges, safely diverting the extra electricity to ground. Easily hardwired, BL Power SP UNI safely buffers electronic devices from the effects of transient voltage. Recommended for all LED lighting systems.

Electrical

Input Voltage	120V–277 VAC
Protection	Category C High (20KV, 1.2/50µS and 10KA, 8/20µS) Standard Combo Waves Ring Wave (6KV, 100KHz)
Max. Surge Current Rating	20 000A, 8x20 µS
Max. Clamping Voltage	1600V
Connections	16 AWG, Copper Conductors

Strikes

1	20 000A
2	15 000A
15	10 000A
120	3 000 A

Mechanical

Housing Construction	Flameproof Plastic
Weight	4.87oz (138g)
Environmental	IP65
Size	2-1/4" x 1-9/16" (57.2mm x 39.5mm)



BL Power Enclosure

Protect your drivers in our durable BL Power enclosures. Available in standard sizes, our premium quality PVC junction boxes are suitable for any BL LED Driver component requiring an additional external housing. The easy to install design saves time and money, with an integral gasket, non-metallic fasteners, molded mounting feet, embossed grid-lines and flat cover features, engineered to provide a contractor-friendly junction box.

Mechanical

Housing Construction PVC

Environmental IP67, NEMA 1, 2, 3R, 4, 4X, 6, 6P, 12, 13

Mounting Integrated Bracket

Fastener Tool #2 Phillips

Weight	BL-POWER-ENC-X-IP67	X Small	0.785lb	(356g)
	BL-POWER-ENC-S-IP67	Small	2lb	(922g)
	BL-POWER-ENC-M-IP67	Medium	3.3lb	(1.5kg)
	BL-POWER-ENC-L-IP67	Large	7.3lb	(3.3kg)

Size		L x W x H		
	BL-POWER-ENC-X-IP67	X Small	3-15/16" x 4-63/64" x 4-15/16" (100mm x 126.5mm x 125.4mm)	
	BL-POWER-ENC-S-IP67	Small	7-7/8" x 7-7/8" x 4-15/16" (200mm x 200mm x 125.4mm)	
	BL-POWER-ENC-M-IP67	Medium	9-9/16" x 9-9/16" x 4-15/16" (243mm x 243mm x 125.4mm)	
	BL-POWER-ENC-L-IP67	Large	13-37/64" x 13-37/64" x 4-15/16" (345mm x 345mm x 125.4mm)	

Make product selection easy!

For a technical consultation, contact technical@bllighting.com or give us a toll free call at **1-888-874-4405**

BL Power CBOX

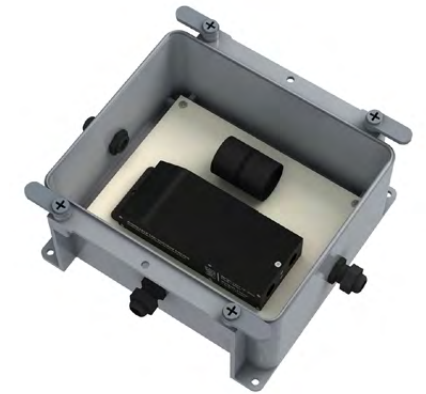
The BL Power CBOX are Class 2 UL Listed power and control boxes, rated for dry and wet location use. Custom assembled for each project, BL Power CBOX integrates LED Drivers, Surge Protectors, Decoders and more, shipping with all required components safely pre-assembled into our durable BL Power Enclosures, facilitating streamlined installations on site.



BL CBOX
BL LED Driver
BL Surge Protector UNI



BL CBOX 0-10V Dimming
BL 0-10V Dimming LED Driver
BL Surge Protector UNI



BL CBOX MLV
BL MLV Dimming LED Driver
BL Surge Protector UNI

1 Simple Installation

Simplifies installation on site, all power and control components ship pre-assembled inside the box.

2 Compatibility

Integrates all components seamlessly, ensuring compatibility and full UL system approval.

3 System

Makes configuring LED, Driver, Power & Control systems easy, with a CBOX for every BL Lighting product.

4 Protection

Provides superior protection for your Power & Control systems, approved for dry and wet locations.



BL CBOX DMX
BL LED Driver
BL controls DECODER RDM
BL Surge Protector UNI



BL CBOX PIXEL
BL LED Driver
BL controls DECODER SPI
BL Surge Protector UNI



BL CBOX BLE node
BL LED Driver
BL controls node C4
BL Surge Protector UNI

image for illustrative purposes, actual configurations may vary

Specifications subject to change without notice.
Please refer to our website at blighting.com for current technical data.



BL CBOX 03

BL CBOX 03 are cULus Listed power boxes, integrating a durable BL Power Enclosure with our non-dimmable LED Drivers and Surge Protectors. Configurable up to 200W output through multiple Class 2 circuits, BL CBOX 03 ships with all required components pre-assembled onto a carbon steel back plate, and includes accessories such as cable glands, ground and wire connectors, facilitating streamlined installations on site.

Electrical

Input Voltage	100V–277VAC
Input Frequency	50/60 Hz
Output Voltage	24VDC, Constant Voltage
Max. Power	200W (2x 100W)
Connections	18 AWG, Copper Conductors
Operating Temperature	-4°F to 131°F (-20°C to 55°C)
Circuit	Class 2
Surge Protection	Category C high (20KV, 1.2/50µs and 10KA, 8/20µs) Standard Combo Waves Ring Wave (6KV, 100KHz)

Mechanical

Housing Construction	PVC
Environmental	IP67, NEMA 6P
Enclosure Box	
24W, 10W, (x2)10W	BL power ENC Small
100W, 60W, (x2)24W	BL power ENC Medium
(x2)100W, (x2)60W	BL power ENC Large

Components

PVC Enclosure, LED Driver, Carbon Steel Back-Plate
Ground Connector, Surge Protector, Cable Glands



BL CBOX 010V

BL CBOX 010V are cULus Listed power and control boxes, integrating a durable BL Power Enclosure with 010V dimmable LED Drivers and Surge Protectors. Configurable up to 200W output through multiple Class 2 circuits, BL CBOX 010V ships with all required components pre-assembled onto a carbon steel back plate, and includes accessories such as cable glands, ground and wire connectors, facilitating streamlined installations on site.

Electrical

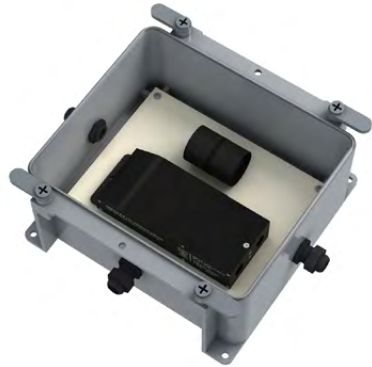
Control	0–10V
Input Voltage	100V–277VAC
Input Frequency	50/60 Hz
Output Voltage	24VDC, Constant Voltage
Max. Power	200W (2x 100W)
Connections	18 AWG, Copper Conductors
Operating Temperature	-4°F to 122°F (-20°C to 50°C)
Circuit	Class 2
Surge Protection	Category C high (20KV, 1.2/50µs and 10KA, 8/20µs) Standard Combo Waves Ring Wave (6KV, 100KHz)

Mechanical

Housing Construction	PVC
Environmental	IP67, NEMA 6P
Enclosure Box	
(x2)100W, 75W, 60W, 20W	BL power ENC Medium
(x2)100W, (x2)75W, (x2)60W	BL power ENC Large
20W	BL power ENC Small

Components

PVC Enclosure, LED Driver, Carbon Steel Back-Plate
Ground Connector, Surge Protector, Cable Glands



BL CBOX MLV

BL CBOX MLV are cULus Listed power and control boxes, integrating a durable BL Power Enclosure with MLV dimmable LED Drivers and Surge Protectors. Configurable up to 96W output through a single Class 2 circuit, BL CBOX MLV ships with all required components pre-assembled onto a carbon steel back plate, and includes accessories such as cable glands, ground and wire connectors, facilitating streamlined installations on site.

Electrical

Control	MLV
Input Voltage	120VAC
Input Frequency	50/60 Hz
Output Voltage	24VDC, Constant Voltage
Max. Power	96W
Connections	14 AWG, Copper Conductors
Operating Temperature	-22°F to 122°F (-30°C to 50°C)
Circuit	Class 2
Surge Protection	Category C high (20KV, 1.2/50µS and 10KA, 8/20µS) Standard combo waves Ring wave (6KV, 100KHz)

Mechanical

Housing Construction	PVC
Environmental	IP67, NEMA 6P
Enclosure Box	BL power ENC Medium

Components

PVC Enclosure, LED Driver, Carbon Steel Back-Plate
Ground Connector, Surge Protector, Cable Glands



BL CBOX DMX

BL CBOX DMX are cULus Listed power and control boxes, integrating a durable BL Power Enclosure with LED Drivers, Surge Protectors and DMX Decoders, and are compatible with RGBW and Tunable LED lighting systems. Configurable up to 200W output through multiple Class 2 circuits, BL CBOX DMX ships with all required components pre-assembled onto a carbon steel back plate, and includes accessories such as cable glands, ground and wire connectors, facilitating streamlined installations on site.

Electrical

Control	DMX
Input Voltage	100V–277VAC
Input Frequency	50/60 Hz
Output Voltage	24VDC, Constant Voltage
Max. Power	200W (2x 100W)
Connections	18 AWG, Copper Conductors
Operating Temperature	-4°F to 122°F (-20°C to 50°C)
Circuit	Class 2
Surge Protection	Category C high (20KV, 1.2/50µS and 10KA, 8/20µS) Standard Combo Waves Ring Wave (6KV, 100KHz)

Mechanical

Housing Construction	PVC
Environmental	IP67, NEMA 6P
Enclosure Box	
100W, 60W, 24W, 10W	BL power ENC Medium
(x2)100W, (x2)60W	BL power ENC Large

Components

PVC Enclosure, LED Driver, Carbon Steel Back-Plate, DMX Decoder
Ground Connector, Surge Protector, Cable Glands



BL CBOX PIXEL

BL CBOX PIXEL are cULus Listed power and control boxes, integrating a durable BL Power Enclosure with LED Drivers, Surge Protectors and DMX Pixel Decoders, and are compatible with low-voltage Digital Pixel LED lighting systems. Configurable up to 200W output through multiple Class 2 circuits, BL CBOX PIXEL ships with all required components pre-assembled onto a carbon steel back plate, and includes accessories such as cable glands, ground and wire connectors, facilitating streamlined installations on site.

Electrical

Control	DMX
Input Voltage	100V–277VAC
Input Frequency	50/60 Hz
Output Voltage	24VDC, Constant Voltage
Max. Power	200W (2x100W)
Connections	18 AWG, Copper Conductors
Operating Temperature	-4°F to 122°F (-20°C to 50°C)
Circuit	Class 2
Surge Protection	Category C high (20KV, 1.2/50µS and 10KA, 8/20µS) Standard Combo Waves Ring Wave (6KV, 100KHz)

Mechanical

Housing Construction	PVC
Environmental	IP67, NEMA 6P
Enclosure Box	
100W, 60W, 24W, 10W	BL power ENC Medium
(x2)100W, (x2)60W	BL power ENC Large

Components

PVC Enclosure, LED Driver, Decoder SPI,
Ground Connector, Surge Protector, Cable Glands



BL CBOX BLE node

BL CBOX BLE node are cULus Listed power and control boxes, integrating a durable BL Power Enclosure with LED Drivers, Surge Protectors and BLE node Lighting Decoders, and are compatible with RGBW, Tunable and DMX enabled LED lighting systems. Configurable up to 192W output through multiple Class 2 circuits, BL CBOX BLE node ships with all required components pre-assembled onto a carbon steel back plate, and includes accessories such as cable glands, ground and wire connectors, facilitating streamlined installations on site.

Electrical

Control	DMX
Input Voltage	100V–277VAC
Input Frequency	50/60 Hz
Output Voltage	24VDC, Constant Voltage
Max. Power	192W (2x96W)
Connections	18 AWG, Copper Conductors
Operating Temperature	-13°F to 113°F (-25°C to 45°C)
Circuit	Class 2
Surge Protection	Category C high (20KV, 1.2/50µS and 10KA, 8/20µS) Standard Combo Waves Ring Wave (6KV, 100KHz)

Mechanical

Housing Construction	PVC
Environmental	IP67, NEMA 6P
Enclosure Box	
100W, 60W, 24W, 10W	BL power ENC Medium
(x2)100W, (x2)60W	BL power ENC Large

Components

PVC Enclosure, LED Driver, BLE node,
Ground Connector, Surge Protector, Cable Glands

BL CONTROLS

Take charge of your luminaires with BL controls! Our DMX and Bluetooth systems have been designed for full system compatibility, convenience, and user experience in mind. With intuitive interfaces, easy installation, programming services, and full technical support, BL Lighting has specification grade controls solutions for any RGB, RGBW, Tunable White or Pixel lighting project.

BL CONTROL GUIDE

SELECTION GUIDE

208

BL controls DMX SYSTEM

DMX SYSTEM CHART

212

BL controls

SAGE touch screen + App. 214

Wifi

BL controls

CATO touch screen + App. 215

Ethernet

BL controls

MIMI 216

PIXEL SERIES

BL controls

PHAROS touch screen 217

CUSTOM SYSTEM

BL controls

DECODER RDM 218

5 Channel RDM Decoder

BL controls

DECODER SPI 219

DMX to SPI, Pixel Decoder

BL controls

Bluetooth Mesh Network 220

Bluetooth Mesh Network

Controller Guide

BL controls

BLE node C4 222

Bluetooth Mesh Network Controller

BL controls

BLE Switch 223

Bluetooth Wall Switch

BL controls

BLE node C8 224

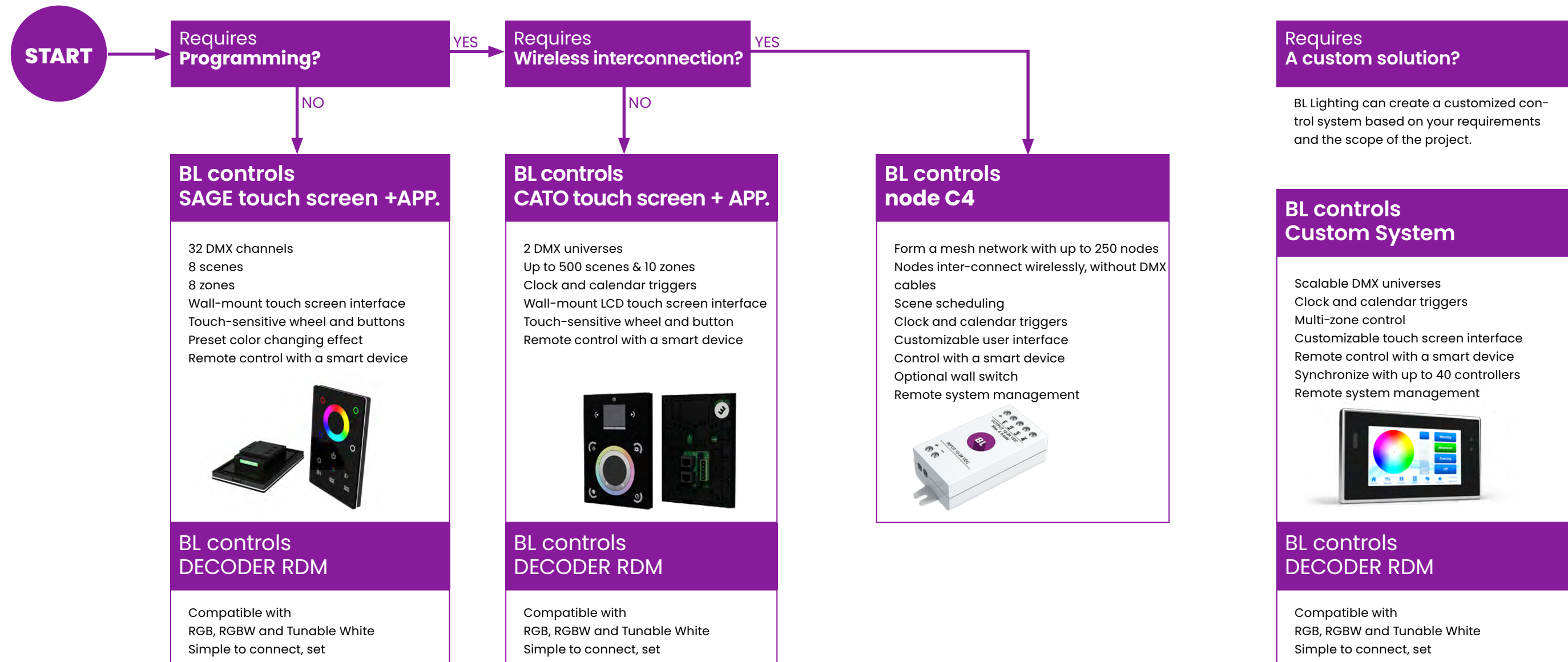
Bluetooth Mesh Network Controller

BL CONTROLS

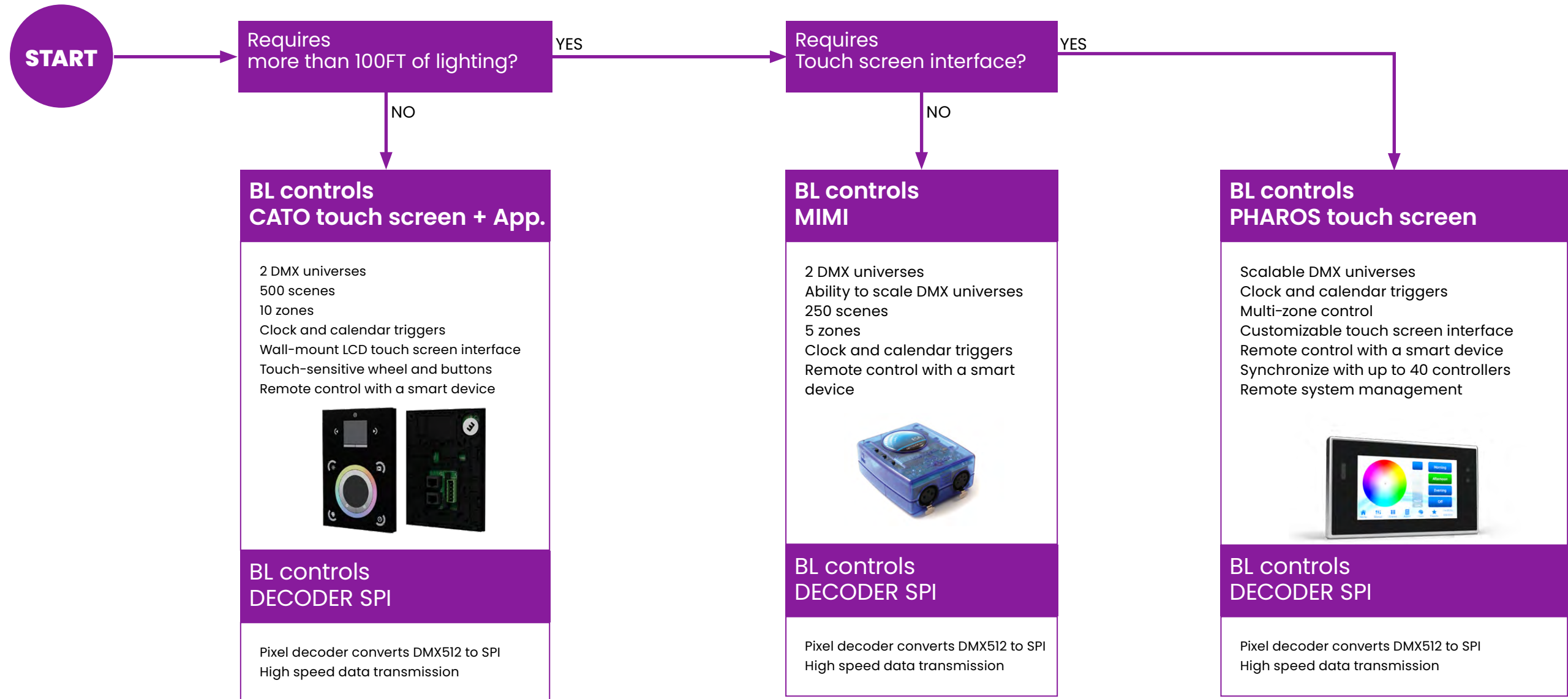
Take charge of your luminaires with BL controls! Our DMX and Bluetooth systems have been designed for full system compatibility, convenience, and user experience in mind. With intuitive interfaces, easy installation, programming services, and full technical support, BL Lighting has specification grade controls solutions for any RGB, RGBW, Tunable White or Pixel lighting project.

BL CONTROL SYSTEM GUIDE RGB, RGBW, Tunable White

Unsure of how to choose the best control system for your project? Consider this diagram before selecting your next BL controls solution. BL Lighting also offers programming services and technical support for all of our controls systems. For more information contact support@blighting.com



Unsure of how to choose the best control system for your project? Consider this diagram before selecting your next BL controls solution. BL Lighting also offers programming services and technical support for all of our controls systems. For more information contact support@blighting.com



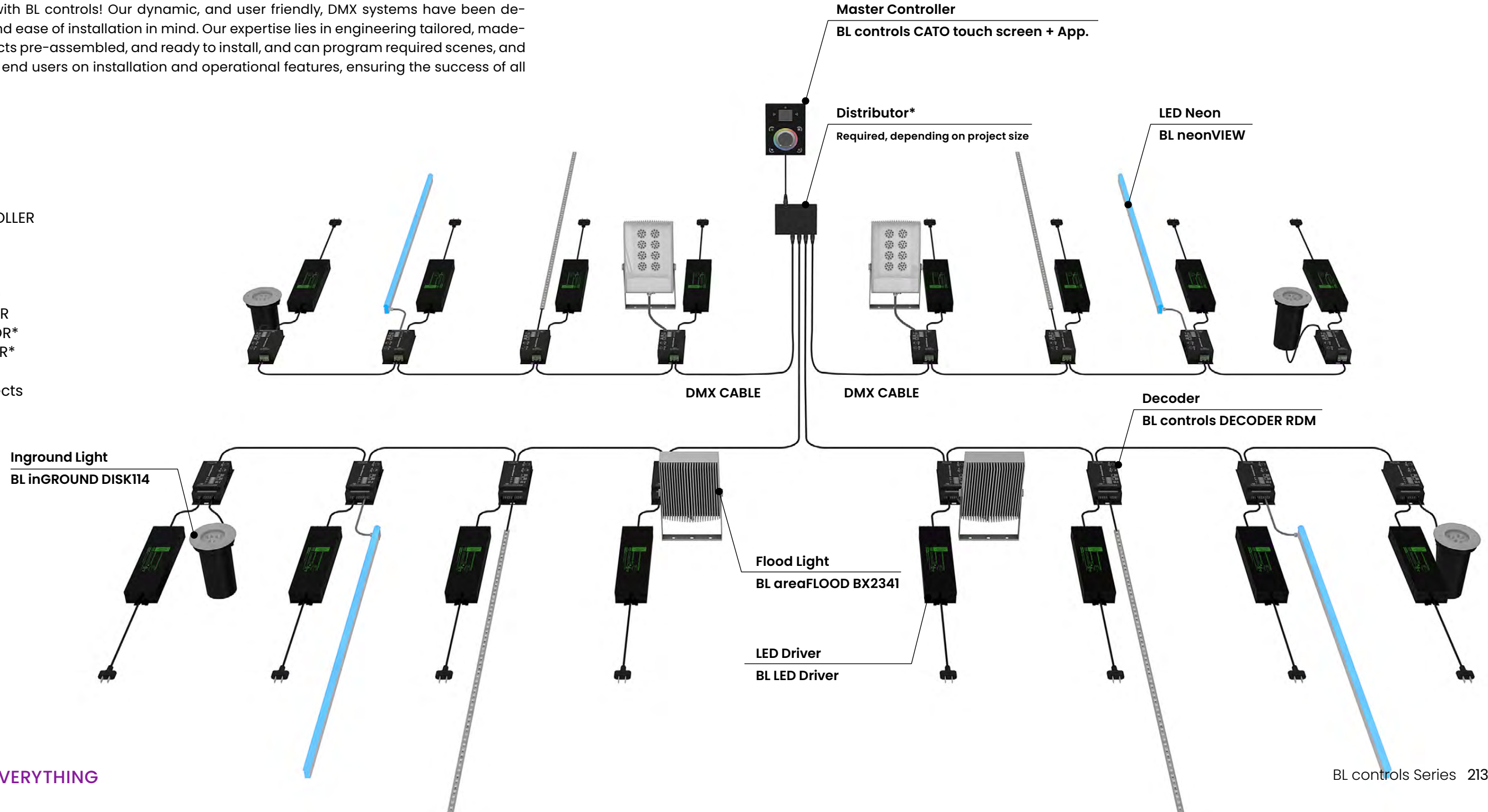
BL controls DMX SYSTEM

Take charge of your luminaires with BL controls! Our dynamic, and user friendly, DMX systems have been designed with intuitive interfaces, and ease of installation in mind. Our expertise lies in engineering tailored, made-to-order solutions. We ship products pre-assembled, and ready to install, and can program required scenes, and educate clients, contractors, and end users on installation and operational features, ensuring the success of all your lighting projects.

REQUIRES:

- MASTER CONTROLLER
- DECODER
- LED DRIVER
- DMX CABLE
- DAISY CHAINING
- DMX TERMINATOR
- DMX DISTRIBUTOR*
- SIGNAL AMPLIFIER*

*for larger projects



BL controls SAGE touch screen + App.

The BL controls SAGE touch screen + App. controller is a WIFI compatible, wall-mounted DMX controller. The glass panel with an intuitive touch-sensitive interface allows for easy selection of colors and scenes. Remote control via mobile app makes this an economical and user-friendly controls solution for residential and commercial applications.

Electrical

Input Voltage 12V–24VDC
 Max. Input Current 0.2A
 Temp. Range 32°F to 104°F (0°C to 40°C)

Mechanical

Environmental IP20
 Mounting Single or double-gang wall socket

Features

- Up to 8 static scenes
- Up to 8 programmable zones
- Wall-mount touch screen interface
- Touch-sensitive wheel and buttons
- Preset colour changing effect
- Remote control with a smart device

Connections

Screw Terminal DMX, Power



BL controls CATO touch screen + App.

The BL controls CATO touch screen + App. is a wall-mounted DMX controller designed for the most demanding projects, featuring 1024 channels, 2 universes, 500 scenes and 10 zones. The glass panel interface features an intuitive and user-friendly, touch-sensitive color display, allowing simple selection of up to 50 scenes, along with speed, dimming, saturation and RGBW color control. Connect to a computer or smart device to create your own programs or for remote control.

Electrical

Input Voltage 5V–6VDC
 Max. Input Current 0.6A
 Temp. Range 14°F to 113°F (-10°C to 45°C)

Mechanical

Environmental IP20
 Mounting Single or double gang wall socket

Features

- Up to 500 programmable scenes
- Up to 10 programmable zones
- Wall-mount LCD touch screen interface
- Touch-sensitive wheel and buttons
- 2 DMX universes
- Calendar scheduling and scene control by time and date
- Remote control with a smart device

Connections

Mini USB PC connection, Power
 Screw Terminal DMX, Power
 RJ45 2 x DMX, Power
 RJ45 Network Connection
 Extension Socket 2 x DMX, 8 Dry Contact Ports, RS232, Relay, IR



BL controls MIMI

The BL controls MIMI is a 1024 channel DMX master controller, with up to 250 scenes, 5 zones, and ethernet connectivity. Create a customized user interface with the mobile app, to fit any project requirement, and control remotely with a smart device. Fully integrated with BL neonVIEW PIXEL, and designed for complex and dynamic lighting system control.

Electrical

Input Voltage	5V–5.5VDC
Max. Input Current	0.6A
Temp. Range	32°F to 122°F (0°C to 50°C)

Mechanical

Environmental	IP20
Mounting	Double-Sided Tape

Features

- 2 DMX universes (3 when connected to a PC)
- Scalable up to hundreds of DMX universes
- Up to 250 programmable scenes
- Up to 5 programmable zones
- Clock and calendar triggers
- Digital display
- Remote control with a smart device

Connections

Micro USB	PC connection, Power
RJ45	Network Connection
XLR 3pin	DMX
XLR 5pin	DMX
HE10	8 dry contact ports



BL controls PHAROS touch screen

The BL controls PHAROS touch screen is an attractive wall-mounted DMX controller, with a capacitive touch screen interface, and customizable lighting controls. This master controller has vast interfacing capabilities and is integrable with up to 40 control devices, allowing for the creation of thousands of DMX universes, and suitable for projects of the grandest scale and complexity.

Electrical

Input Voltage	44V–57VDC
Power Consumption	4W
Power Source	PoE (Power-over-Ethernet)
Temp. Range	32°F to 122°F (0°C to 50°C)

Mechanical

Environmental	IP40
Mounting	Custom US 2.5" backbox

Features

- Customizable user interface 4.3" touch screen interface
- Clock and calendar triggers
- Multi-zone control
- Systems of thousands of DMX universes can be created
- Synchronize with up to 40 controllers
- Remote control with a smart device
- Remote system management

Connections

RJ45	RJ45 PoE, DMX interface, Network
------	----------------------------------



BL controls DECODER RDM

This 8 amp, 5 channel, RDM decoder works with our DMX controllers to provide dimming and color changing effects for RGB, RGBW and Tunable White LED packages. RDM facilitates remote device management of reading and writing DMX addresses, and supports bi-directional communication, for easier installation and commissioning. With an on board digital display, and built in hardwire, XLR and Ethernet cable connection ports, installers can simply connect, set, and play.

Electrical

Input Voltage	12V–24VDC
Max. Input Current	8A
Temp. Range	–4°F to 122°F (–20°C to 50°C)

Mechanical

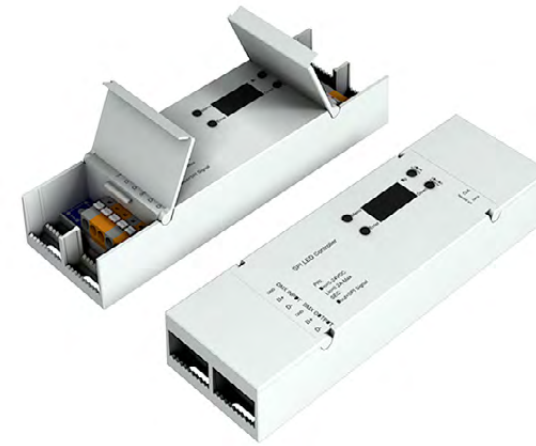
Environmental	IP20
Mounting	Screw holes

Features

- RDM enabled
- Digital display
- Four push-buttons
- Adjustable gamma value

Connections

Screw Terminal	DMX, Power, Lighting
XLR	DMX
RJ45	DMX



BL controls DECODER SPI

A DMX digital pixel decoder converts DMX signal to Serial Peripheral Interface (SPI), enabling high speed data transmission and strong signal integrity. Easy to configure via an OLED panel, works with common pixel protocols and designed for full integration with BL neonVIEW Pixel.

Electrical

Input Voltage	5VDC, 12V–24VDC
Max. Input Current	5A
Temp. Range	–4°F to 122°F (–20°C to 50°C)

Mechanical

Environmental	IP20
Mounting	Screw holes

Features

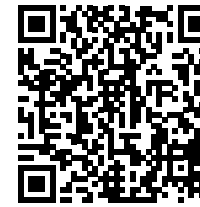
- OLED display
- Four push-buttons

Connections

Push Terminal	DMX, Power, Lighting
---------------	----------------------

BL controls Bluetooth mesh network controller

The BLE node C4 forms an intelligent, bluetooth mesh network that doesn't require any wiring to link individual units. Use our complementary mobile app to control the entire network while within range of any one unit!



VIDEO LINK

The BLE node C4 enables the creation of integrated mesh lighting networks using Bluetooth technology. It simplifies lighting installation and control as there is no need for wired connections between each unit. Control the lighting directly via an app without an internet connection or a specialized gateway!
https://youtu.be/hLD09gJ_ekc

REQUIRES:

- Android or iOS device
- BL controls BLE node C4



Bluetooth Controller

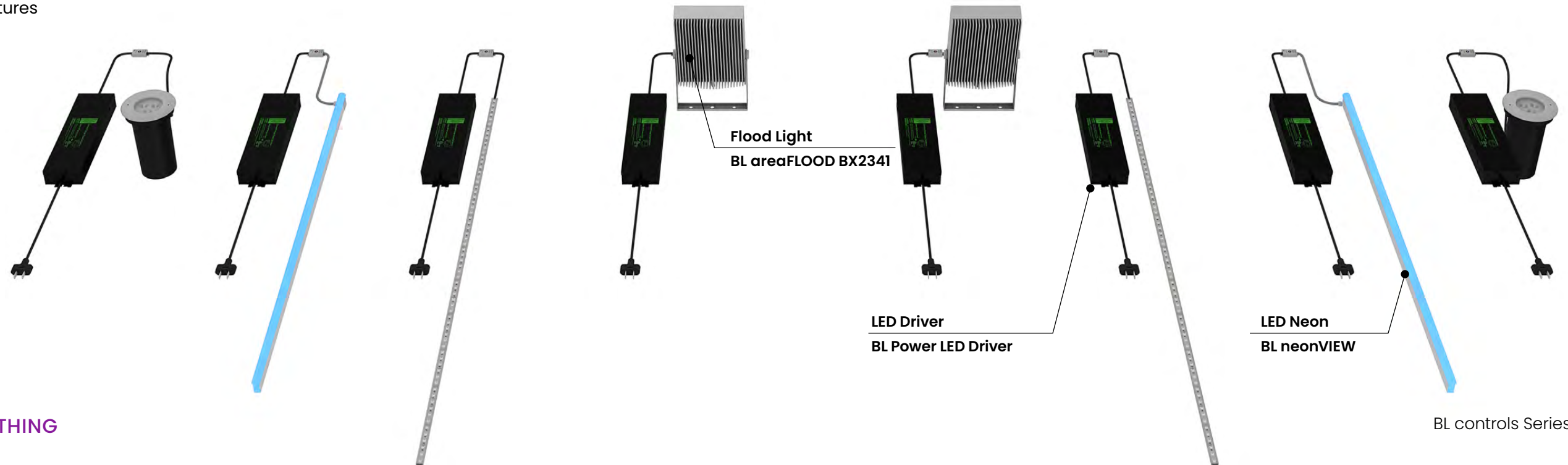
BL controls BLE node C4

BL Controls BLE node C4

- Bluetooth 4.0+ wireless control
- Control by any smart device with APP
- Connect to one to control all fixtures
- Unit max. range:
 - Indoor = 82FT (25M)
 - Outdoor = 164FT (50M)

Features

- Customizable user interface
- Color changing RGBW
- Tunable Dynamic White
- Individual or Group Dimming
- Scheduling



Flood Light
BL areaFLOOD BX2341

LED Driver
BL Power LED Driver

LED Neon
BL neonVIEW



BL controls BLE node C4

The BLE node C4 is based on Bluetooth technology and creates an intelligent mesh network. Featuring an integral lighting decoder and 4 channels of PWM control, the versatile BLE node C4 reduces wiring requirements, accelerating installation and commissioning of compatible lighting systems. A complementary mobile app presents an intuitive and interactive user experience, allowing for full network control when within range of any one node!



Electrical

Input Voltage	12V–24VDC
Power Consumption	0.75W
Max. Range Outdoors	164FT (50m)
Max. Range Indoors	82FT (25m)
Max. Signal Output Power	3 dBm
Operating Frequencies	2.4-2.483 Ghz
Max. Input Current	4A
Max. Output Current	96W
No-load Standby Power	<0.3W
Temp. Range	-13°F to 113°F (-25°C to 45°C)

Mechanical

Environmental	IP20
Mounting	Screw holes

Features

- Up to 250 units form an intelligent mesh network
- Multiple networks can be set up on a site
- No wired connections between nodes
- Control with a smart device or a physical switch (BLE Switch)
- Control by date and time
- Different profiles for RGBW, RGB, tunable white and static lighting

Connections

Screw Terminal	Power, Lighting
----------------	-----------------



BL controls BLE Switch

The BLE Switch is a self-powered wireless wall switch that harvests the energy from button presses to generate the necessary energy to function. Program custom functions for each of the four buttons to create a suitable interface for any project with Bluetooth controls. Absence of any wires or batteries makes installation of this switch easy and maintenance almost nonexistent.

Electrical

Energy Source	Kinetic energy harvester
Operating Temperature	-13°F to 149°F (-25°C to 65°C)
Operating Frequencies	2.4 Ghz
Max. Range	33FT (10m)

Mechanical

Environmental	IP20
Mounting	Screw holes

Features

- Forms an intelligent mesh network with BLU node C4 units
- Lifetime of over 50 000 actuations without any maintenance
- Wireless and batteryless switch



BL Controls BLE node C8

The BLE node C8 is based on Bluetooth technology and creates a wireless intelligent mesh network. Featuring 8 channels of DMX control, one BLE node C8 can control multiple luminaires. This reduces wiring requirements, and accelerates installation and commissioning of lighting systems, when using luminaires that are DMX enabled with integrated decoders. A complementary mobile app presents an intuitive and interactive user experience, allowing for full network control when within range of any one node!

Electrical

Input Voltage	12V–24VDC
Power Consumption	0.75W
Max. Range Outdoors	164FT (50m)
Max. Range Indoors	82FT (25m)
Max. Signal Output Power	3 dBm
Operating Frequencies	2.4-2.483 Ghz
No-load Standby Power	<0.3W
Temp. Range	-13°F to 113°F (-25°C to 45°C)

Mechanical

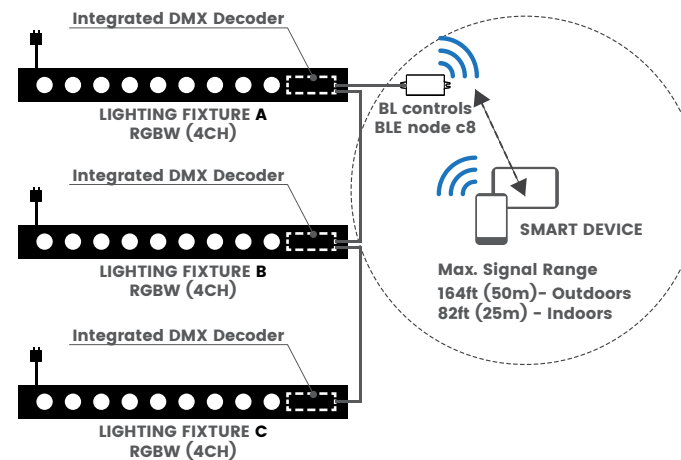
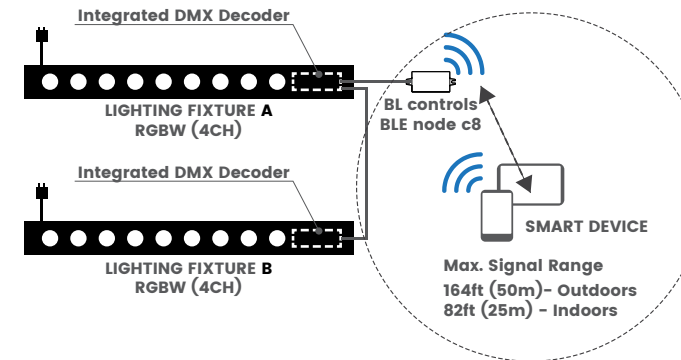
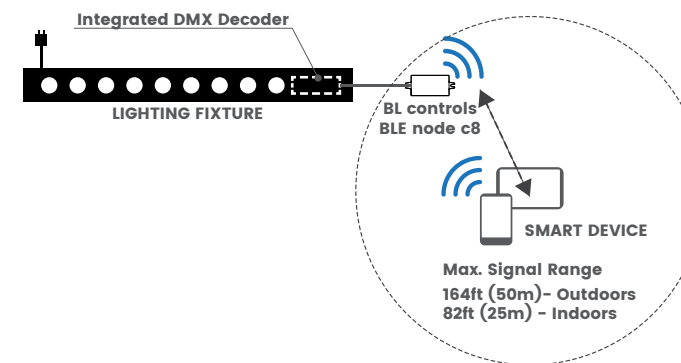
Environmental	IP20
Mounting	Screw holes

Features

- 8 channels of DMX control
- Up to 250 units form an intelligent mesh network
- Multiple networks can be set up on a site
- No wired connections between nodes
- Control with a smart device or a physical switch (BLE switch)
- Control by date and time

Connections

Screw Terminal	Power, Lighting
----------------	-----------------



GLOSSARY

CERTIFIED TESTING LABORATORIES

All test laboratories perform the North American standards of UL, NEMA, ANSI, ASTM, OSHA



Underwriters Laboratories is a certified global organization for product safety testing, certification and inspection conforming to the safety codes of the country.



Electrical Testing Laboratories - Intertek is a testing laboratory that inspects, tests and certifies product compliance to North American safety standards.



Component Recognition Mark is a quality marking by Underwriters Laboratories, intended to be a part of a UL listed product.



Conformité Européene/ European Conformity



Federal Communications Commission

AWG

U.S. standard set of non-ferrous wire conductor sizes. The “gauge” means the diameter. Non-ferrous includes copper and also aluminum and other materials.

Beam Angle

The angle between the two directions for which the intensity is 50% of the maximum intensity as measured in a plane through the nominal beam centerline.

Bend Radius

Measured to the inside curvature, is the minimum radius one can bend a pipe, tube, cable without kinking it, damaging it, or shortening its life.

Color Rendering Index (CRI)

The measure of a light source’s ability to render the color of objects “correctly”, as compared with a reference source with comparable color temperature. The higher the CRI, the better the color rendering ability.

Correlated Color Temperature (CCT)

A specification that defines the color appearance, “warmth”, or “coolness”, of a white LED, by relating it to that of a reference source heated to a particular temperature, and measured in degrees in Kelvin (K).

Digital Multiplex Signal (DMX)

Industry standard protocol for the one-way transmission of dimmer intensity or other data from a controller to a DMX compatible product. Sometimes called, DMX 512, it may be used to control up to 512 channels over a series of DMX connections. Think of each “Channel” as a “Color”, so if you have an RGB light, this would use 3 “Channels” or “Colors”.

Dimming

The ability to change the luminous flux of one or more lamps or luminaires.

0-10V Dimming

An analog lighting control protocol. Basically, a 0-10V control applies a voltage between 0 and 10 volts DC to produce a varying intensity level.

Leading Edge Dimming

Is sometimes called Forward Phase/Magnetic Low Voltage or TRIAC Dimming.

Phase Dimming

There are two types of Phase Dimming: Leading Edge Dimming and Trailing Edge Dimming.

Trailing Edge Dimming

Is sometimes called Reverse Phase or Electronic Low Voltage Dimming.

Efficacy

Efficiency of a light source expressed in lumens per watt (LPW or lm/W).

Footcandle, fc

A unit of illuminance equal to 1 lumen per square foot.

Heat Sink

A metal form whose sole purpose is to absorb heat on one surface and radiate that heat from other surfaces.

Illuminance

Light arriving at a surface, expressed in lumens per unit area; 1 lumen per square foot equals 1 footcandle, while 1 lumen per square meter equals 1 lux.

Ingress Protection Rating (IP Rating)

A two-digit code that indicates the resistance of a lighting fixture to solid particles and liquids, where higher digits indicate enhanced protection under defined conditions of pressure and time. The first digit indicates protection against solids, and the second indicates the protection degree against liquids. For example, an IP65 Rating indicates a higher degree of protection from dust and water than an IP20 rating.

First Digit – Protection against solid objects

Second Digit – Protection against water

Level Protect Against

0 No protection

1 Protection from >50 mm objects (hand contact)

2 Protection from >12.5 mm objects (finger contact)

3 Protection from >2.5 mm objects (tools)

4 Protection >1 mm objects (wires)

5 Dust protected (complete contact protection)

6 Dust tight

Level Protect Against

0 No protection

1 Protection from vertically dripping water

2 Protection from water vertically dripping when tilted at 15°

3 Protection from water falling as a spray when tilted at 60°

4 Protection from water splashing

5 Protection from water projected by a 6.3 mm nozzle

6 Protection from water jets projected by a 12.5 mm nozzle

7 Temporary immersion up to 1m

8 Immersion up to 3m under defined conditions of pressure and time

Kelvin (K)

Measurement unit for temperature, used in the lighting industry to indicate the correlated color temperature (CCT) of light sources.

LED Driver

A device composed of a power source and light emitting diode (LED) control circuitry designed to operate an LED package (component), an LED array (module), or an LED lamp.

LED Driver, Class II

A light emitting diode (LED) driver that operates within Class II limits as defined by the latest version of the United States National Electrical Code (NEC) and the Canadian Electrical Code (CEC).

LED Power Supply

An electronic device capable of providing and controlling current, voltage, or power within its design limits.

Lumen, lm

A unit of luminous flux; the overall light output of a luminous source is measured in lumens.

Luminance, L

Light reflected in a particular direction; the photometric quantity most closely associated with brightness perception, measured in units of luminous intensity (candelas) per unit area (square feet or square meters).

Lux, lx

A unit of illuminance equal to 1 lumen per square meter.

Resistance, R

A measure of resistance to flow of current, expressed in ohms. If you add a resistor in series with a circuit – the current in the circuit will be lower than without the resistor. By using resistors, you can design your circuit to have the currents and voltages that you want to have in your circuit.

Surge Protector

The main job of a surge protector is to protect electronic devices from “surges.” A power surge, or transient voltage, is an increase in voltage significantly above the designated level in a flow of electricity, whether from destructive external events like lightning strikes, or an internal dissipative event, such as disconnecting large inductive loads or switching banks of capacitors within the facility. As electronic devices, LEDs are more susceptible to electrical surge damage than other lighting types. Adequate surge protection is an important component to include in all quality LED systems.

Tunable Lighting

Also known as Dynamic Lighting, this technology enables users to adjust the correlated color temperature (CCT), luminous flux and/or spectral power distribution of the LED lamp or luminaire.

Lighting should be functional, sustainable, and always beautiful.

Lighting is our passion.

A handwritten signature in white ink, reading "B. Pacey". The signature is fluid and cursive, with the first letter "B" being particularly large and stylized.

FOUNDER
Betty Lou Pacey

BL LIGHTING

111 - 8838 Heather St., Vancouver, BC, Canada. V6P 3S8

P: 1-604-874-4405 Toll free: 1-888-874-4405

General Inquiry : info@bllighting.com

Technical Inquiry : support@bllighting.com

Sales Inquiry : sales@bllighting.com

Copyright © BL INNOVATIVE LIGHTING. All Rights Reserved.