

Kruze

boss

Kruze Collection



The Kruze Collection embodies our design ethos and our devotion to detail. We believe in immaculate product development because we understand details are not just details. They're the essence that make the product.

Kruze
boss



Kruze

Collection



The Kruze Collection is our homage to the heritage and craftsmanship of British manufacture, an exemplar of design thriving through time.

Kruze

Lounge



A model of consistency, Kruze has evolved over time, never compromising the aesthetic. High or low back lounge options complement, dining and meeting chairs, stool and tables. The design language has remained faithful to the original concept – at a glance, you can recognise Kruze.





Classic

Simplicity

Kruze is blessed with an enduring simplicity, and is proven as both unique and credible due to its impeccable design genetics. All the time, retaining a capacity to effortlessly evolve.





Plush

Upholstery

Kruze Plush, softened with a sartorial touch that is clear in every detail, the opulent folds on the inside of the backrest presents a relaxed upholstery style, delivers a softer level of luxury to the Kruze collection.



Kruze

Meeting



Kruze chairs are bonded by a single, pure design aesthetic, the family sustains the ultimate flexibility without compromise. Offered in three seating heights and five base options creating a consistent and coherent whole.





Elegant

Modernity

When Boss developed the Kruze collection, we recognised it was not the start of something, more a continuation of a timeless design ethic. Product development as custodians of a classic.



Kruze

Tables



Part of the striking and distinguished Kruze collection, the complementary table range will grace any meeting, dining or breakout area. Standing on a distinctive, polished aluminium four-star base, the table top is available as circular or square and in several finishes including glass, laminated and veneered. The three heights – coffee, meeting and poseur – complete the versatile picture.



Kruze

Stools

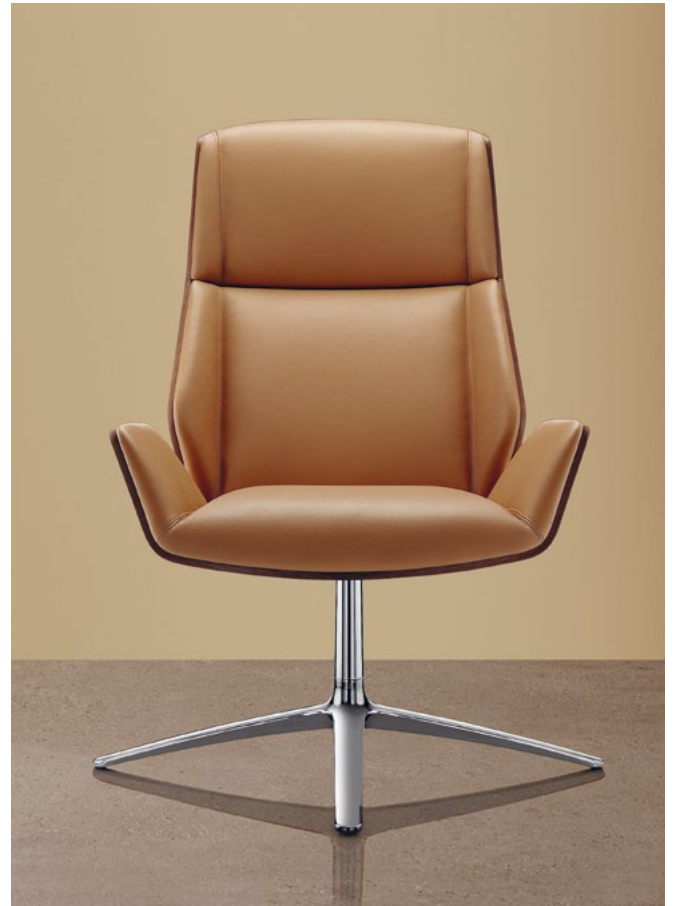


The Kruze family encompassing stools with a variety of options, from four leg to swivel, with and without back plus at bar and counter height. Available with timber or fabric shell, cultured grey or blocks of colour. Kruze's visual continues to be relevant with an innate ability to enhance any setting and harmonise any scheme.





Enduring
Quality



Kruze Collection

Kruze

Details

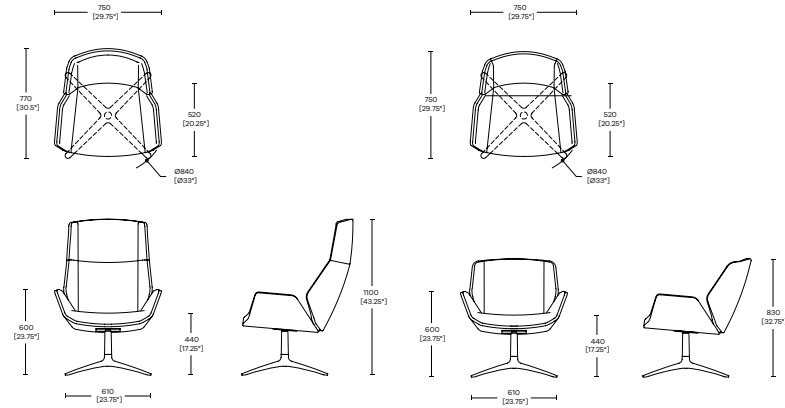
Kruze

Specifications

Lounge

The high sculpted back and gently curving contours promise outstanding sitting comfort, while its distinctive profile makes it a stand-alone statement piece.

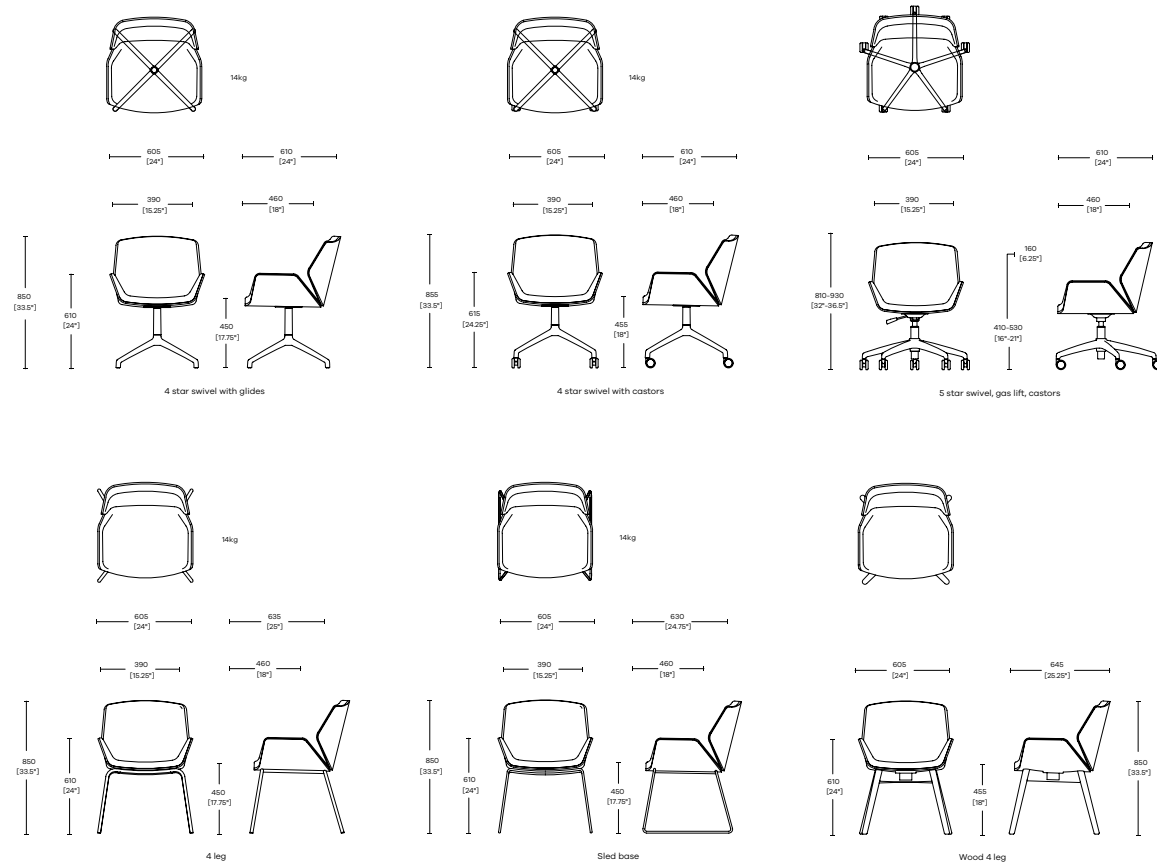
- Supported by a polished aluminium 4-star base
- Fully upholstered in fabric or leather
- Black American Walnut or Oak show-wood outer also available
- CMHR moulded seat and back foam
- Painted bases available in 8 standard Boss colours
- Non-standard frame colours available on orders over 200 pieces.
- Glides for hard or soft floors
- Alternate Veneers available – POA
- To specify a matching table with the same base, please see the Axis range.



Chair

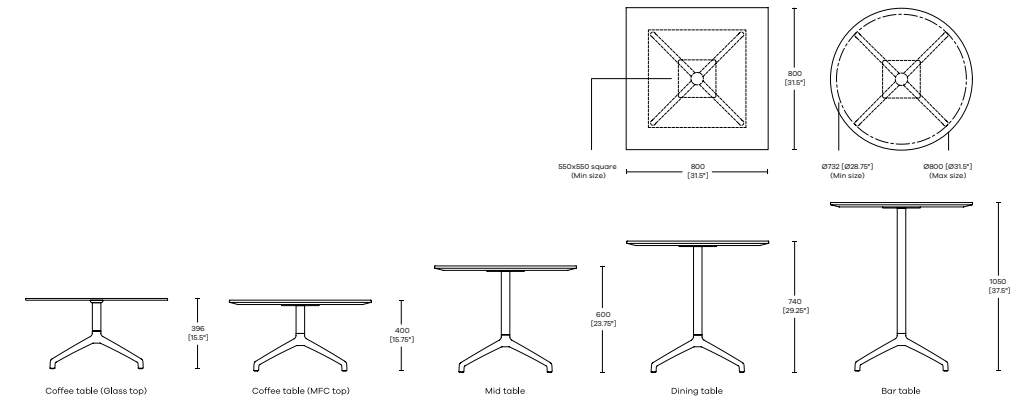
The gently sculpted contours and generous proportions, promise outstanding sitting comfort.

- Supported by a polished aluminium base
- Available in 4 leg, skid frame, 4 star base, 5 star base with castors or 4 leg oak or walnut frame configurations
- Available fully upholstered in fabric or leather Glides for hard or soft floors
- Black American Walnut or Oak show wood outer also available
- CMHR moulded seat and back foam
- Available on a cruciform wooden base, in Oak and Walnut, or painted wire frame in any standard 8 Boss RAL colours
- Non-standard RAL colours available for an MOQ of 200 pieces.



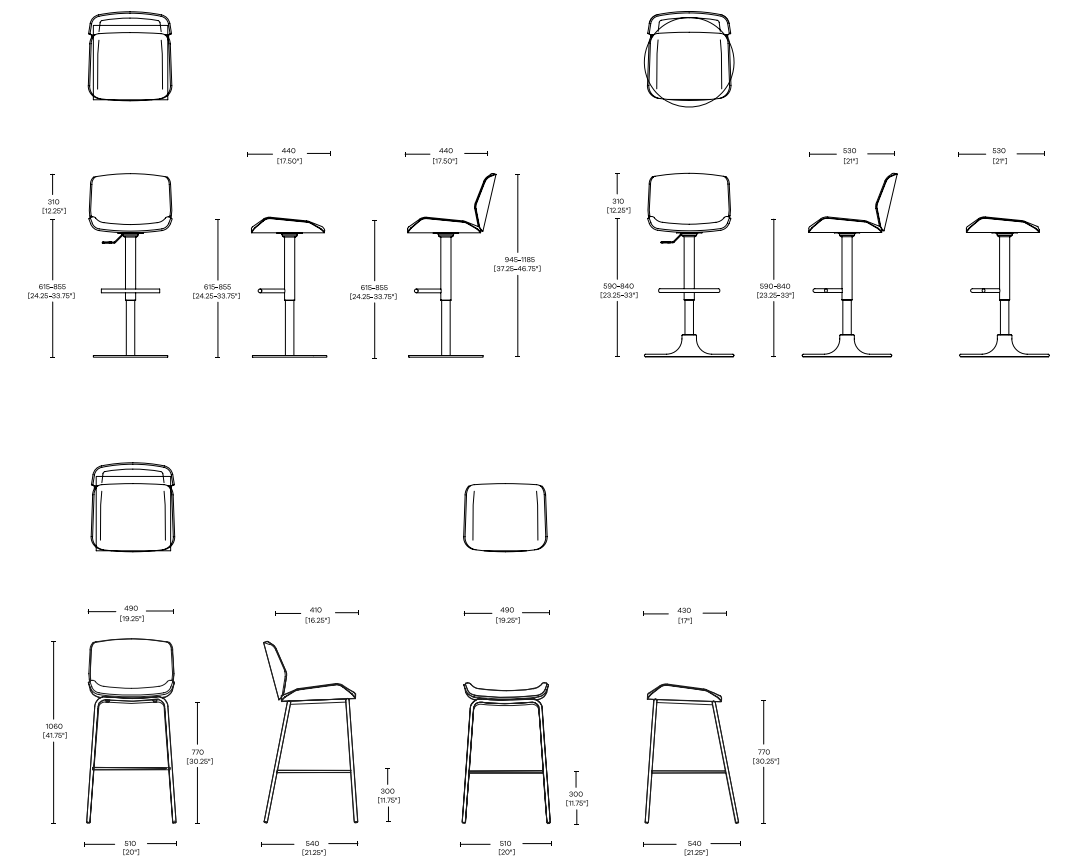
Tables

- Polished aluminium 4 star base and stem
- 3 heights available: coffee, meeting and poseur
- Available in a choice of table top finishes: MFC, MF MDF, Laminate, Veneer and Fenix
- Glass top available - only available on coffee height.



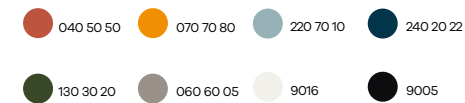
Stools

- The gently sculpted contours and generous proportions, promise outstanding sitting comfort.
- Supported by a polished aluminium frame or base
- Available in 4 leg, trumpet base or square base stool options, with or without back rest
- Available fully upholstered in fabric or leather
- CMHR moulded seat and back foam
- Glides for hard or soft floors
- Black American Walnut or Oak show wood outer also available
- Non-standard RAL colours available for an MOQ of 200 pieces.



Frame colours

8 Standard RAL colours



Custom RAL colours are also available with a minimum order quantity. (Extended lead time applies). Colours may vary slightly. Swatches should only be used as a guide.

Kruze

boss



Every detail is conceived, prototyped, tested,
deconstructed, debated and reconstructed.
Kruze, because style endures.

sales@bossdesign.com
www.bossdesign.com

Headquarters

UK
Boss Drive Dudley
West Midlands
DY2 8SZ
T: +44 (0)1384 455 570

USA
North American HQ
2014 Chestnut Street
High Point N.C. 27262
T: +1 844-353-7834

Showrooms

UK - London
7 Clerkenwell Road
London
EC1M 5PA
T: +44 (0)20 7253 0364

Manchester
The Lightwell
25-27 Booth Street
Manchester M2 4AF
T: +44 (0)161 711 0585

Germany - Frankfurt
Baseler Str. 10
60329 Frankfurt am Main,
Germany
T: +49 69 26958420

USA - Chicago
222 Merchandise Mart
Plaza, Suite 359
Chicago IL 60654
T: +1 844-353-7834

UAE - Dubai
Design House
Al Noor St. Al Sufouh 1
PO Box 117088 Dubai
T: +971 (0)443 788 99

Kruze

boss