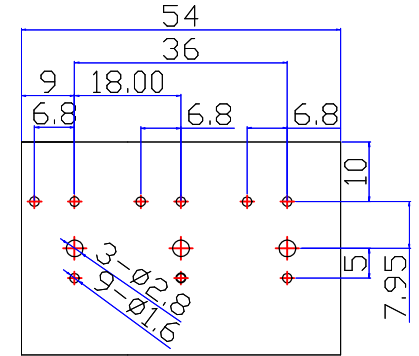
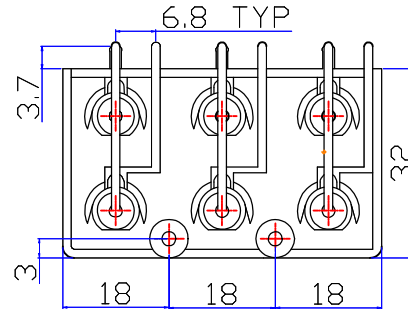
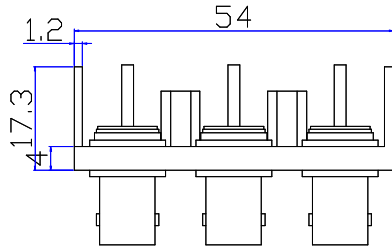
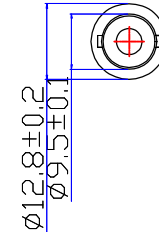
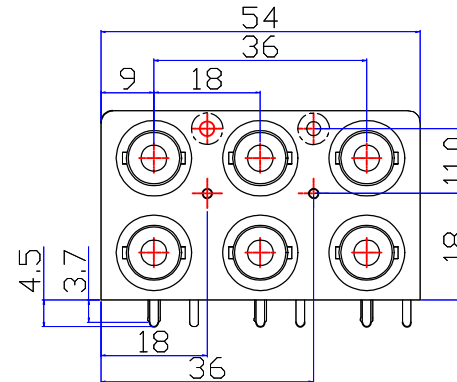
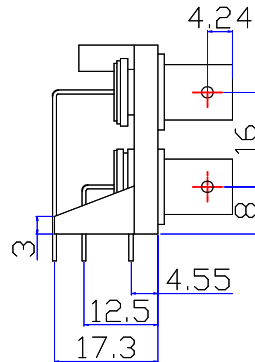




Product NO.	Renhotec-610-0014			
REV	DESCRIPTION	DWN	DATE	APPROVEN
A	First issue	Mr. Wang	2016/3/02	John kine



PCB MOUNTING HOLES



Specification:

Impedance: 50 Ohms
 VSWR:1.3MAX
 Frequency range:DC~4G
 Working Voltage:500V rms @ sea level
 Insulation resistance:5000 Ohms min
 Temperature range:-55°C TO +155°C
 Relative temperature:≤95%(40° C±2° C)
 Drawings products are in line with ROHS standards.

NOTE:

5	Solder column	Iron	NICKEL	6
4	IRON PLATES	Iron	NICKEL	1
3	PANEL	ABS	BLACK	1
2	PIN	BRASS	NICKEL	6
1	BODY	ZINC	NICKEL	6
NO	DESCRIPTION	MATERIAL	FINISH	QTY

DRAWN Zelin. Zhang 2016/03/02
 CHECKED
 APPROVALS John Kine 09.03.2016

Tolerance	0-6 ±0.10 6-30 ±0.20 30-120 ±0.30 Angular ±2°
View	
UNIT	MM
SCALE	1:1



RENHOTEC GROUP

Name: BNC 2x3 CONNECTOR DGN

SIZE A	Product NO. RENHOTEC-610-0014	REV B
DateTime	2016/3/02	CAD FILE D/company drawings/BD
SHEET: 1 OF 1		