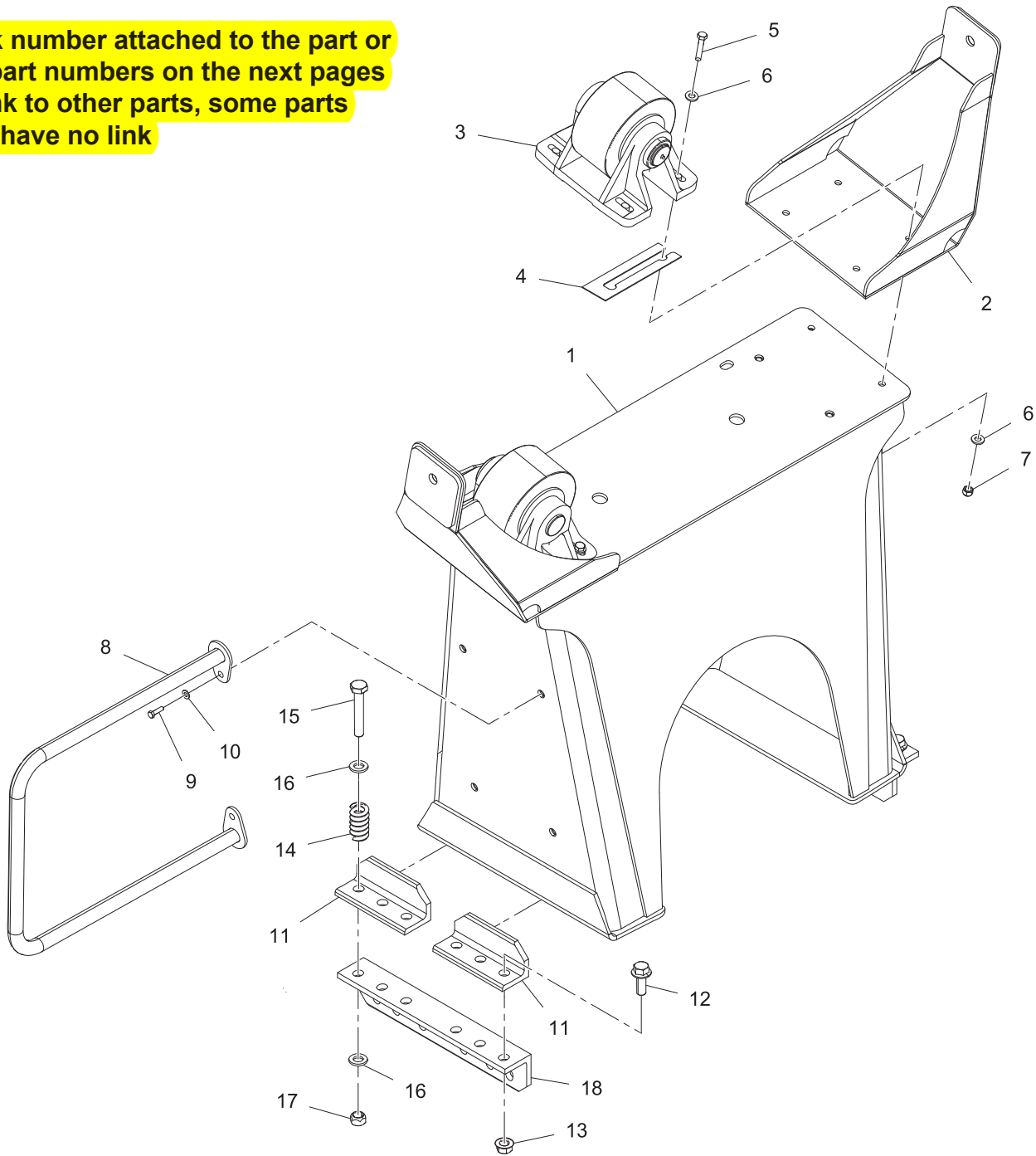


Click number attached to the part or the part numbers on the next pages to link to other parts, some parts may have no link



REF	PART NO.	DESCRIPTION	QTY	REF	PART NO.	DESCRIPTION	QTY
1	33416	WDMT, Pedestal, Roller, FD 2013.....	1	9	19114	Bolt, HHCS, 1/2-13 X 1-3/4, GR8	2
	35298	WDMT, Pedestal, Roller, FD 2015.....	1	10	19093	Washer, Flat, 1/2 A325	2
2	33425	WDMT, Upright Brace Mount, 2013....	1	11	12777	Angle, Hold Down, Pedestal, Upper ...	4
	35300	WDMT, Upright Brace Mount, 2015....	1	12	14469	Bolt, FLNG, 3/4"-16 X 2", PO, GR8.....	6
3	150440	ASSY, 8" Roller, MTM	2	13	14460	Nut, Flange, 3/4"-16, BLK	6
4	33789	Shim, 14GA Trunnion Roller	AR	14	14595	Spring, Hold-Down, Pedestal	6
	35294	Shim, Trunnion Roller, 14GA.....	AR	15	19211	Bolt, HHCS, 3/4"-10 X 4-1 /2"	6
5	19152	Bolt, HHCS, 1/2-13 X 2-1/2, GR8.....	8	16	19039	Washer, Flat, 3/4", USS, ZP.....	12
6	19093	Washer, Flat, 1/2 A325.....	12	17	19343	Nut, Lock, Top, 3/4"-10, GRC.....	6
7	19354	Nut, Auto Style, 1/2-13, GRC (Lock) ..	4	18	18291	Angle, Front PED Hold Down, Lower..	2
8	33445	WDMT, Handrail, Pedestal, 2013	1				

WHEN ORDERING PARTS, SPECIFY MODEL NUMBER, SERIAL NUMBER AND DESCRIPTION OF PARTS REQUIRED



ROLLER PEDESTAL

DATE: Released 01-2016

MODEL: FD

PAGE: 10.2

GROUP

10