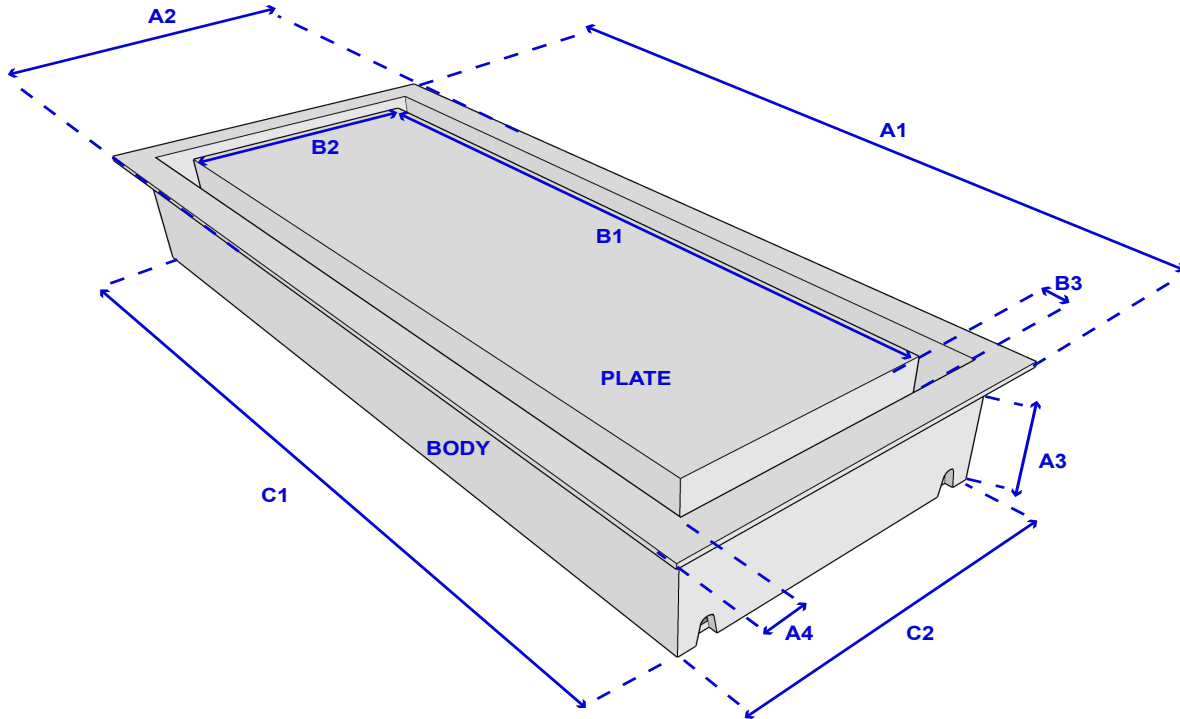




## Drywall Lite - Frame Model Specification Sheet

Perspective View



### Component Dimensions

Imperial

Metric

	4"X10"		4"X10"
A1	10 <sup>9</sup> / <sub>16</sub> "	A1	268mm
A2	4 <sup>1</sup> / <sub>2</sub> "	A2	114mm
A3	2"	A3	51mm
A4	1 <sup>1</sup> / <sub>2</sub> "	A4	13mm
B1	8 <sup>5</sup> / <sub>8</sub> "	B1	219mm
B2	2 <sup>9</sup> / <sub>16</sub> "	B2	65mm
B3	1 <sup>1</sup> / <sub>2</sub> "	B3	13mm
C1	9 <sup>3</sup> / <sub>4</sub> "	C1	248mm
C2	3 <sup>3</sup> / <sub>4</sub> "	C2	95mm

Side View



### Components

Plate: Lightly textured flat plate to be finished with paint or wallpaper.

Body: Slim frame to be fastened to substrate.

### Air Flow Control

No air flow control on this model

Size & Colour	4"x10"
White	✓