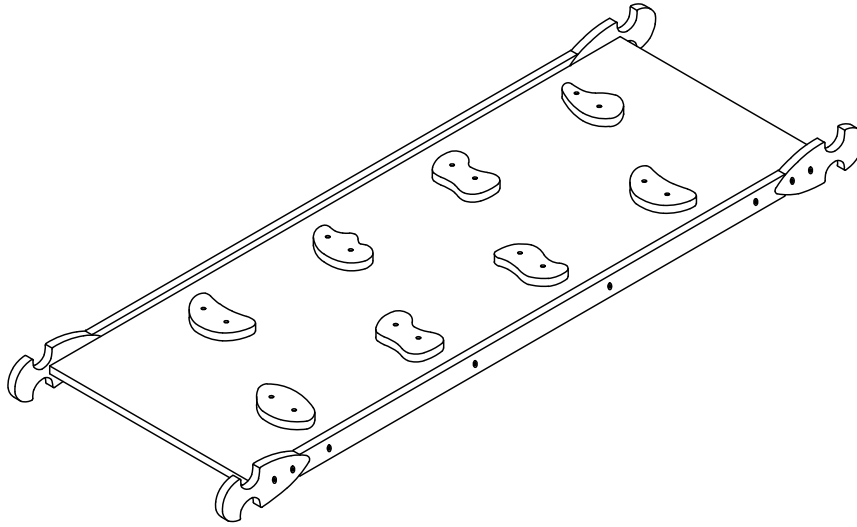
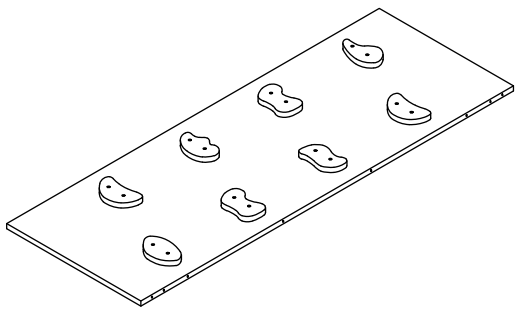
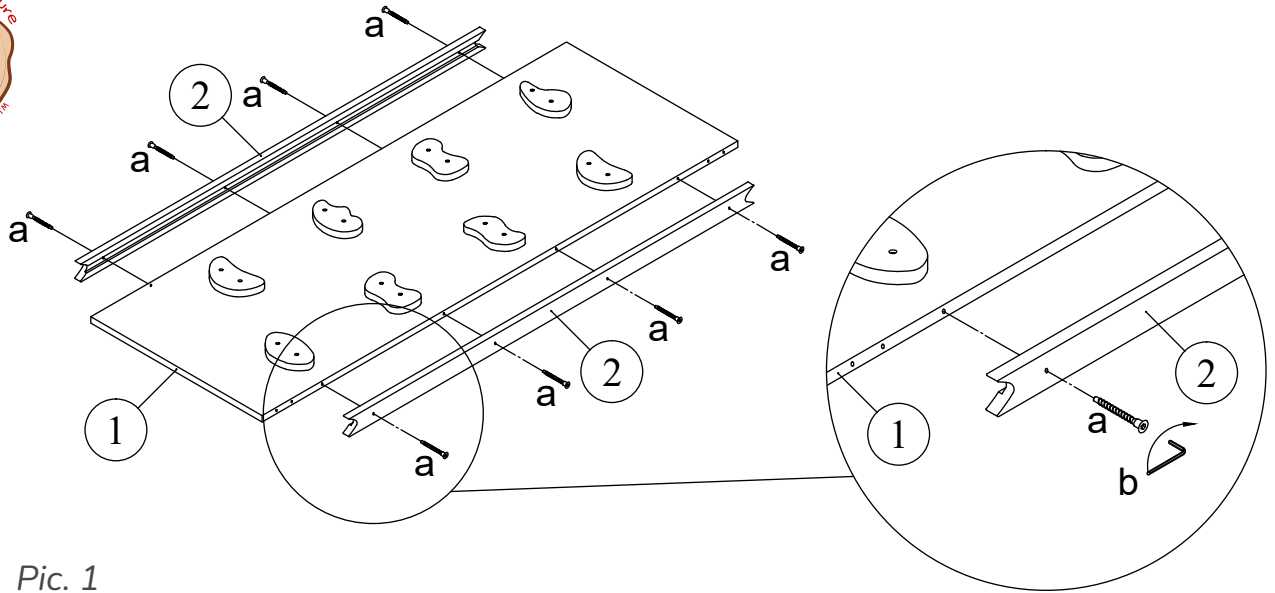


Ramp



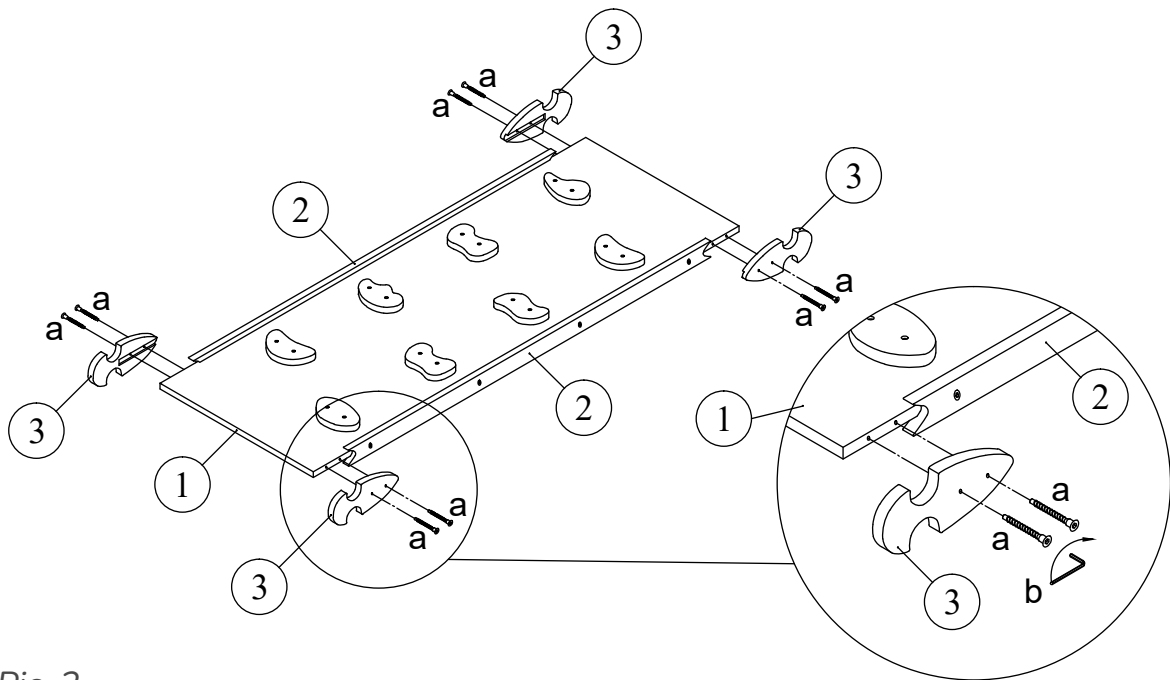
ASSEMBLY DETAILS

<p>1 - 1000*360*24 Ramp</p> <p>1 pc</p>	
<p>2 - 840*33*12 Side base</p> <p>2 pcs</p>	<p>3 - 170*70*12 Hooks</p> <p>4 pcs</p>
<p>a - Confirmat screw</p> <p>16pcs - 2pcs spare</p>	<p>b - 3mm hex key</p> <p>2 pcs</p>



Pic. 1

Assemble Ramp (1) with Side bases (2) using confirmat screws a and hex key b as shown in the Pic. 1.



Pic. 2

Assemble Ramp (1) with Hooks (3) using confirmat screws a and hex key b as shown in the Pic. 2



To be used for its intended purpose only and under the direct supervision of an adult!
All the responsibility for children's injuries received during games on the furniture lies on adults watching after them.

Always be vigilant during children's games!