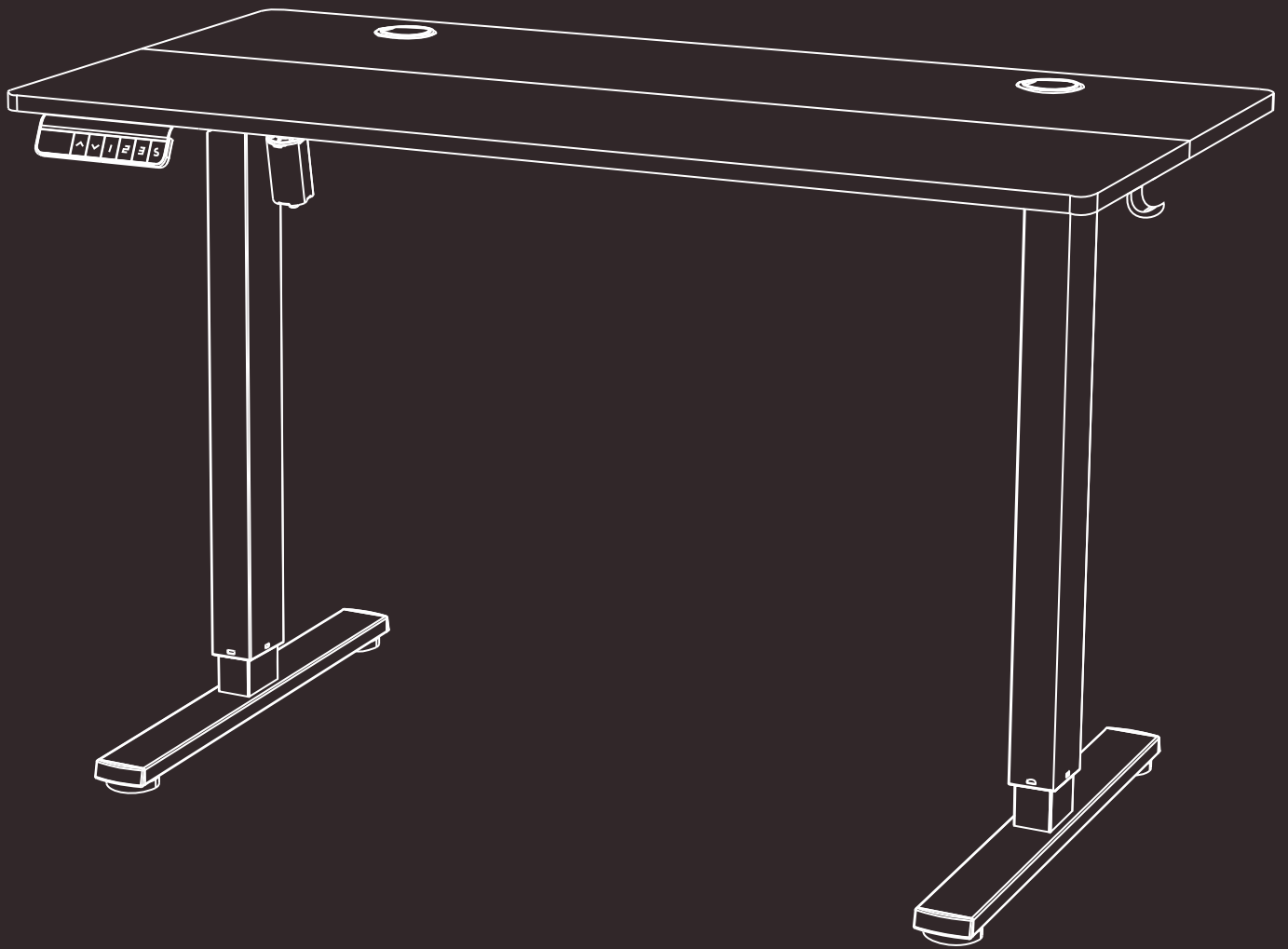


Electric Standing Desk

Instruction Manual

D-ELT001-4024

D-ELT001-4824



✉ HJ-Customer-Service@outlook.com

☎ (909)637-7665 | (909)637-7593

EST 9:00AM--17:00PM

• Specifications

Height Adjustment Range
28.7"–48" (73–122cm)



Power Input
100V–240V



Max. Speed
24mm/s



Operating Noise
<55dB



Max. Load
176 lbs / 80kg

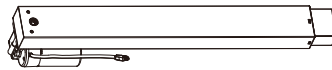
Step 1 Supplied Parts and Hardware

01 X1



Crossbar

02 X1



Left Desk Leg

03 X1



Right Desk Leg

04 X1



Transmission Rod

M-A X1



Set Screw

M-B X6



Bolt

M-E X1



Small Allen Wrench
3/32" (2.5mm)

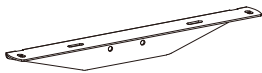
M-F X1



Large Allen Wrench
3/16" (5mm)

Step 2 Supplied Parts and Hardware

05 X2



Side Plate

M-B X4



Bolt

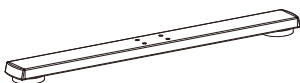
M-F X1



Large Allen Wrench
3/16" (5mm)

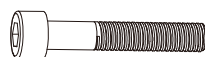
Step 3 Supplied Parts and Hardware

06 X2



Leg Base

M-C X8



Bolt

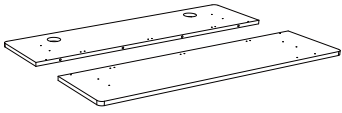
M-F X1



Large Allen Wrench
3/16" (5mm)

Step 4 Supplied Parts and Hardware

07 X1



Desktop

A X4



Wood Dowel Pin

B X3



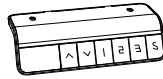
Desktop Panel Connector

08 X2



Headset Hook

09 X1



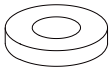
Controller

M-D X12



Screw

C X10



Rubber Pad

M-G X8



Screw

Step 5 Supplied Parts and Hardware

10 X1



AC Adapter

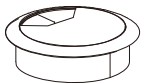
11 X2



Cable Clip

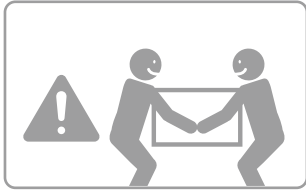
Step 6 Supplied Parts and Hardware

12 X2

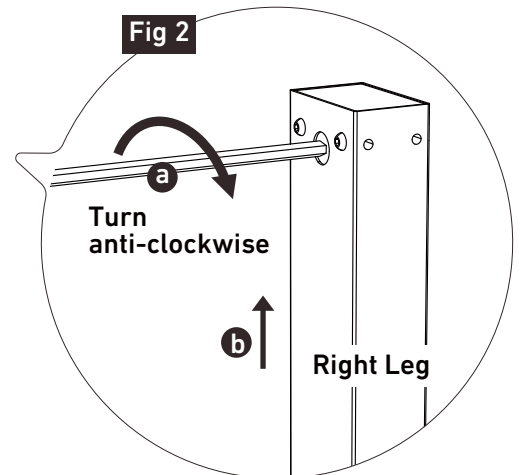
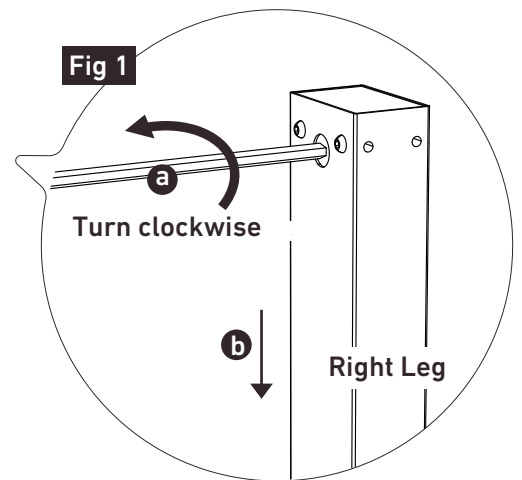
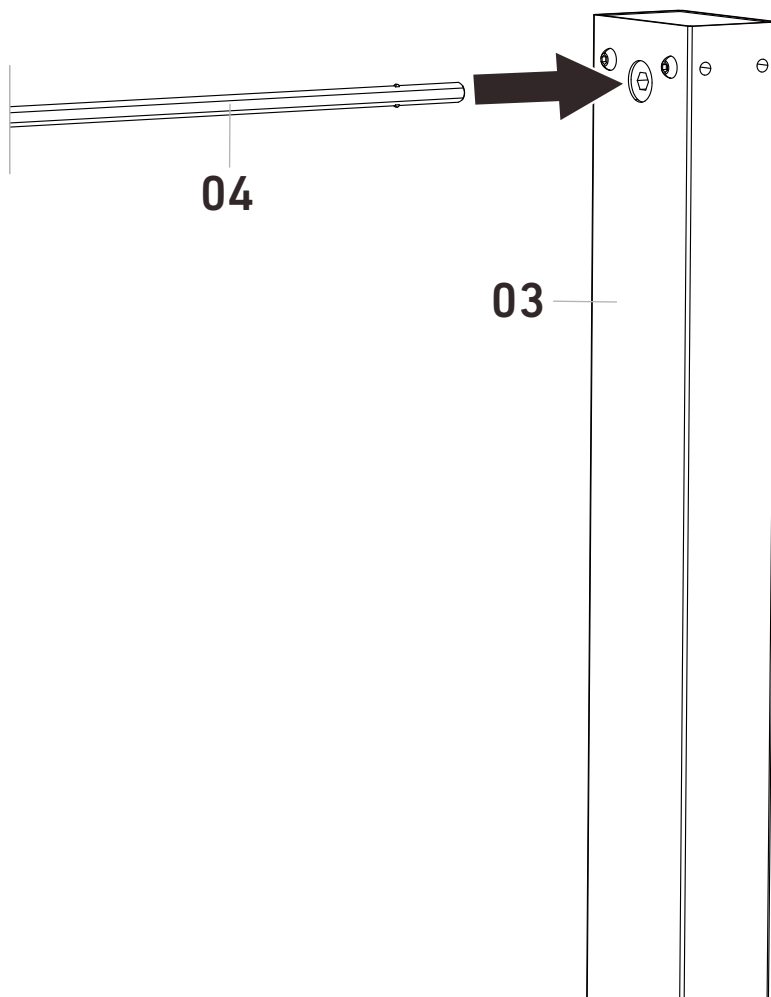


Cable Hole Cover

Setting the Desk Legs to the Same Height



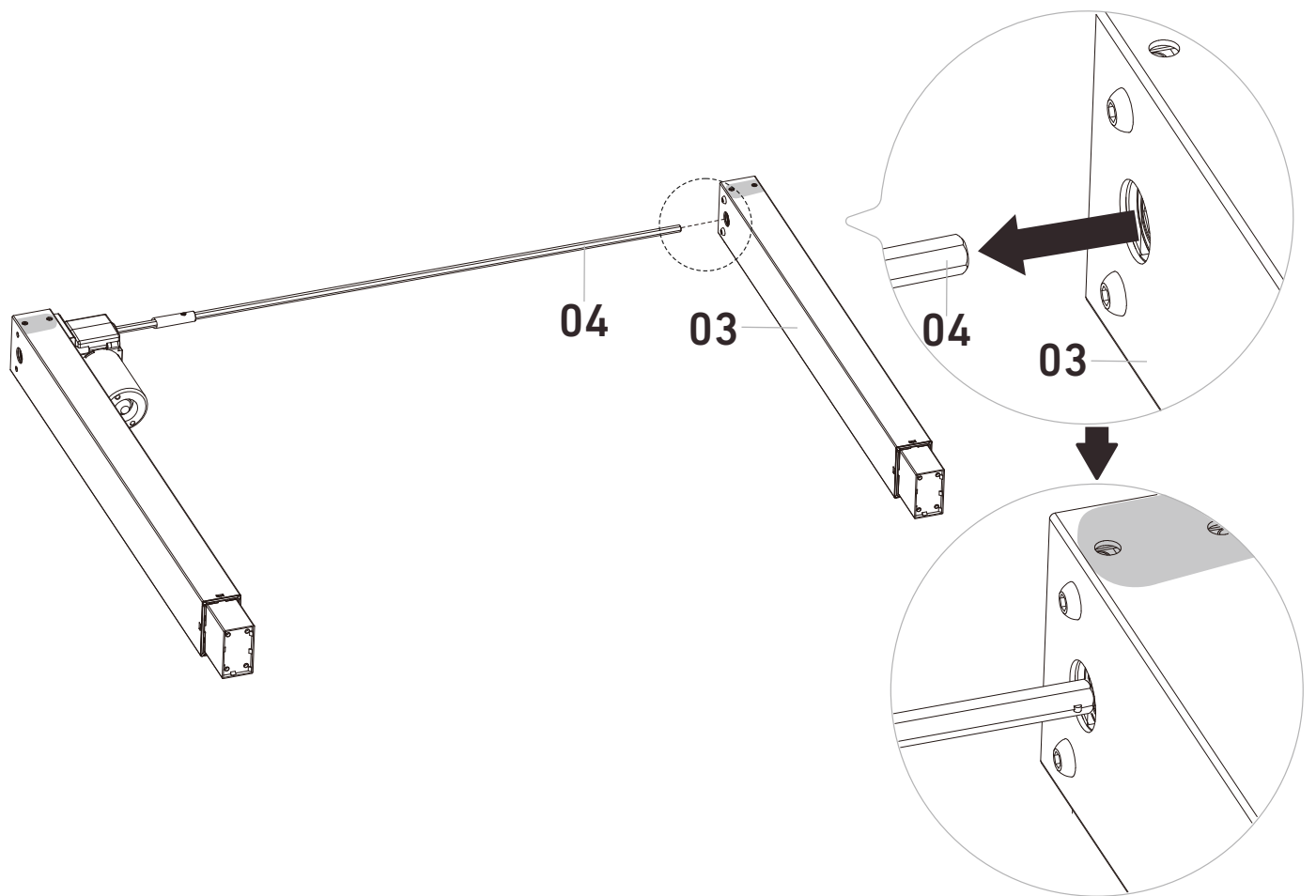
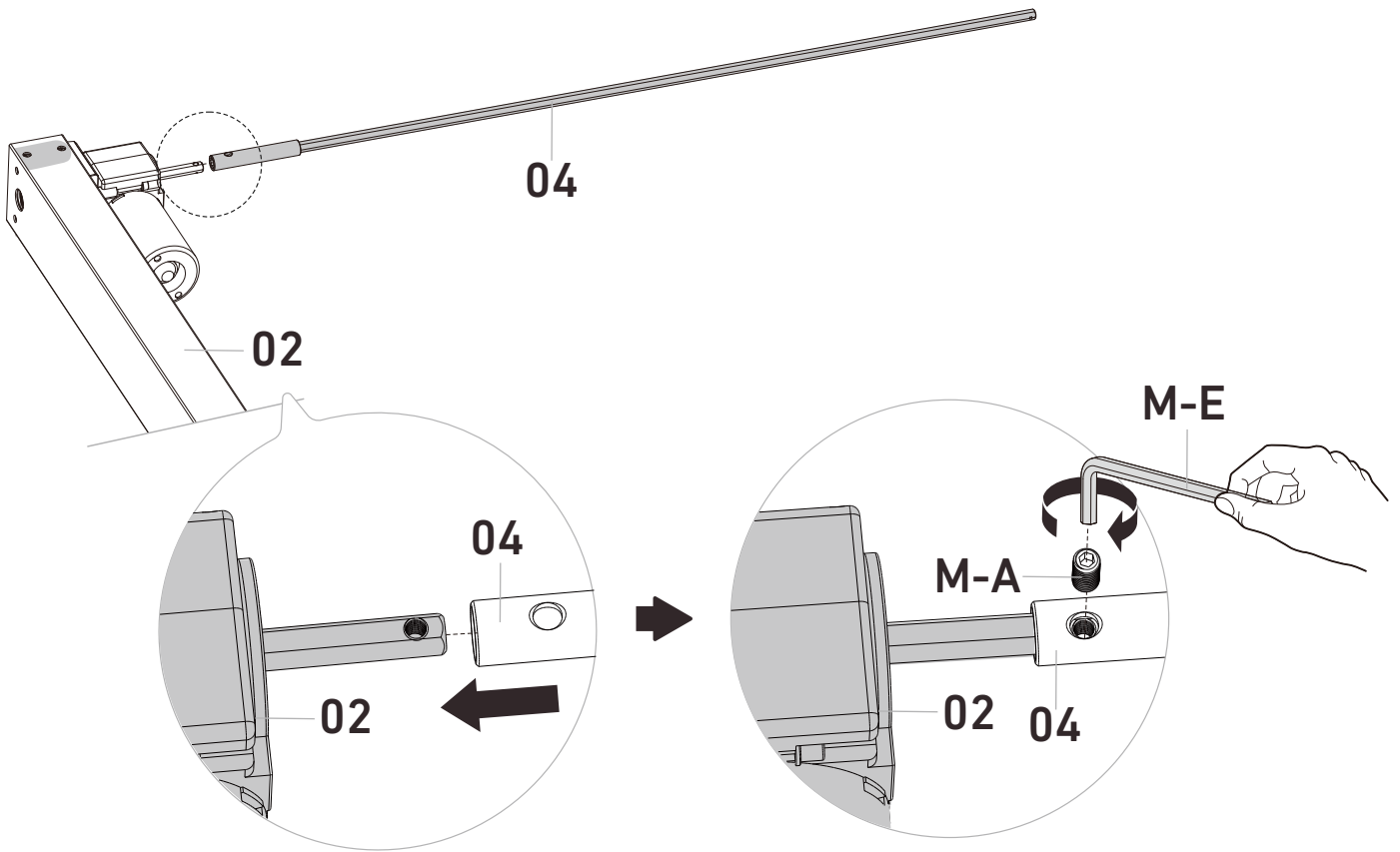
HEAVY! You may need assistance with this step.

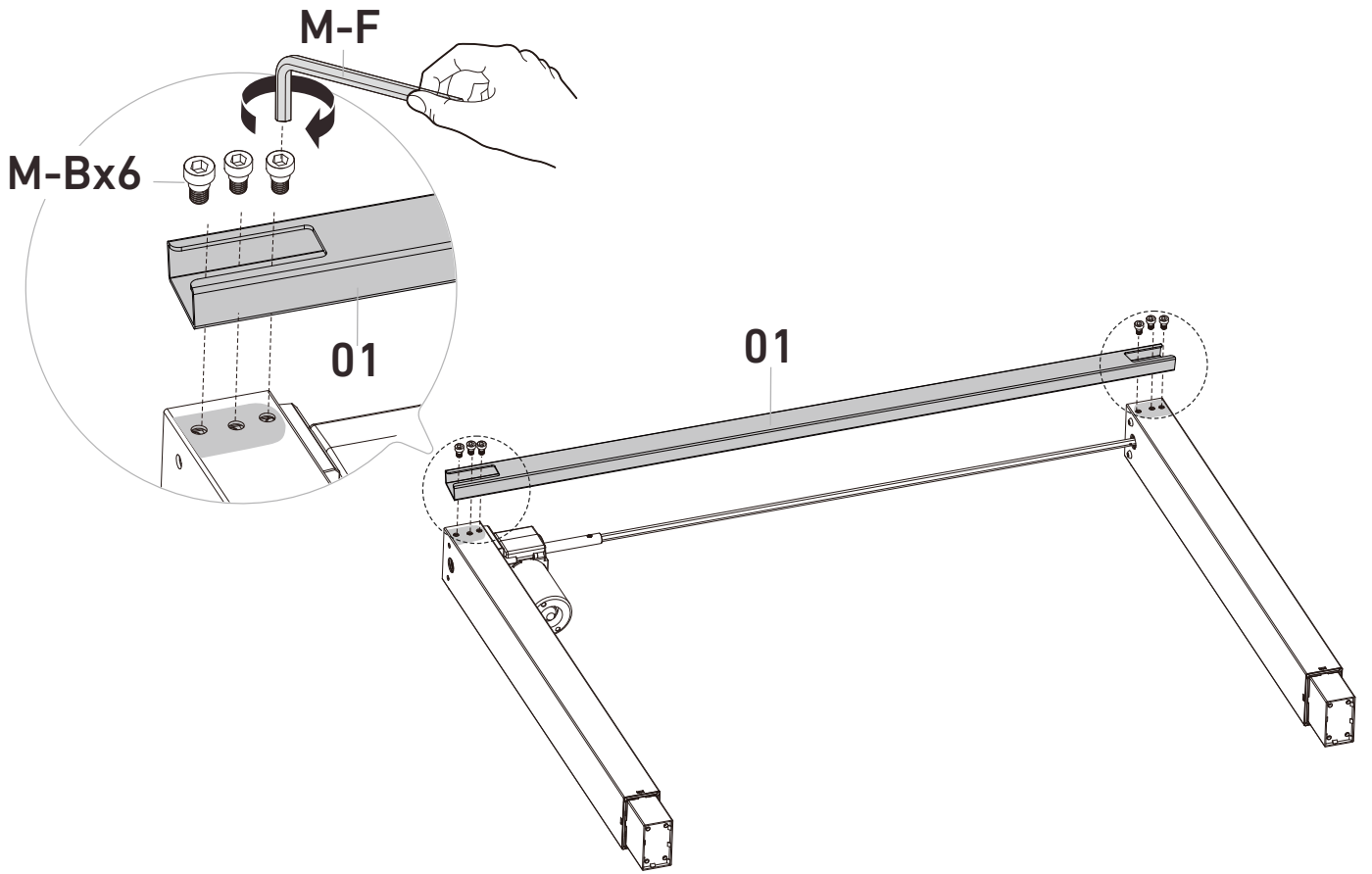


Before attaching the transmission rod, measure the heights of the two desk legs to see if they are set at the same level. If not, insert the transmission rod into the hole in the right leg. Turn the rod to adjust the right leg so it's level with the left leg. Turn the rod clockwise to lower the right leg or anti-clockwise to raise it.

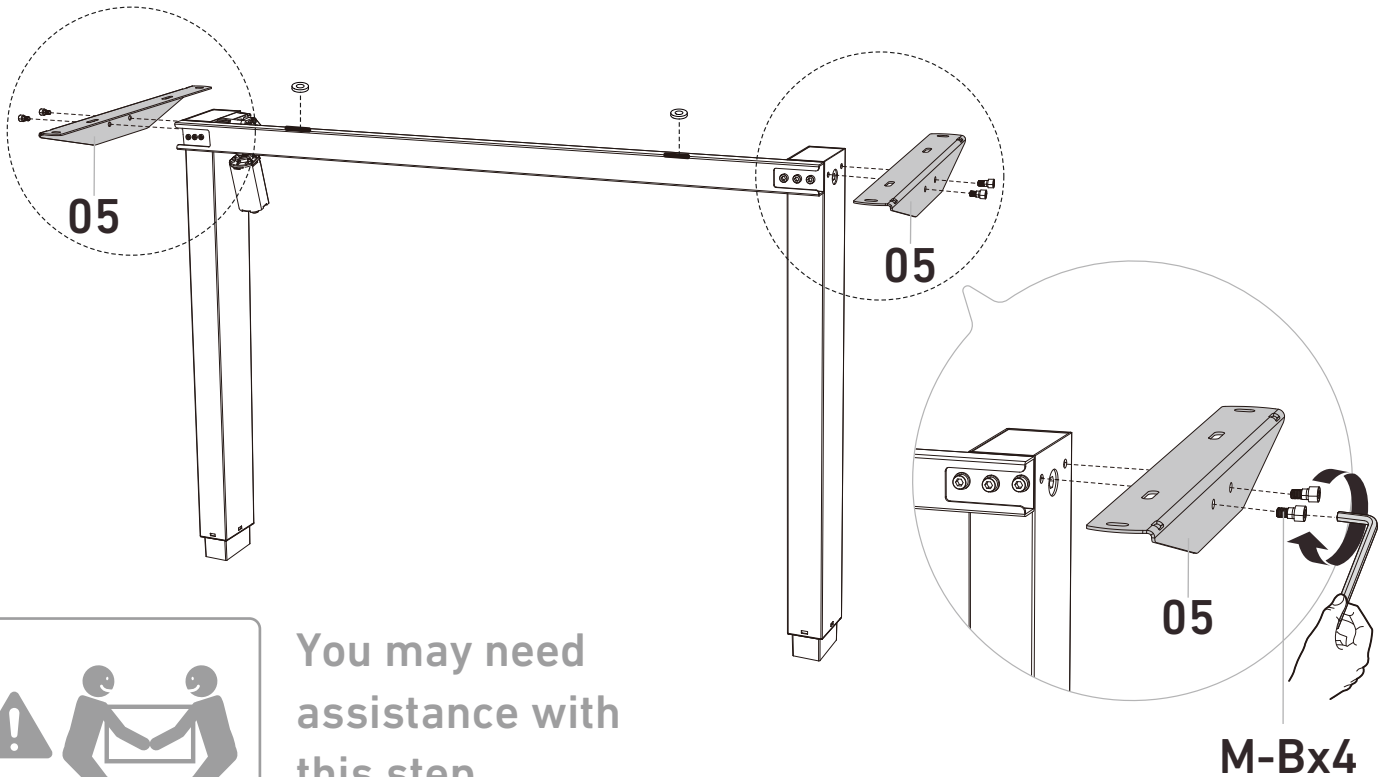
Step 1

Setting the Desk Legs to the Same Height



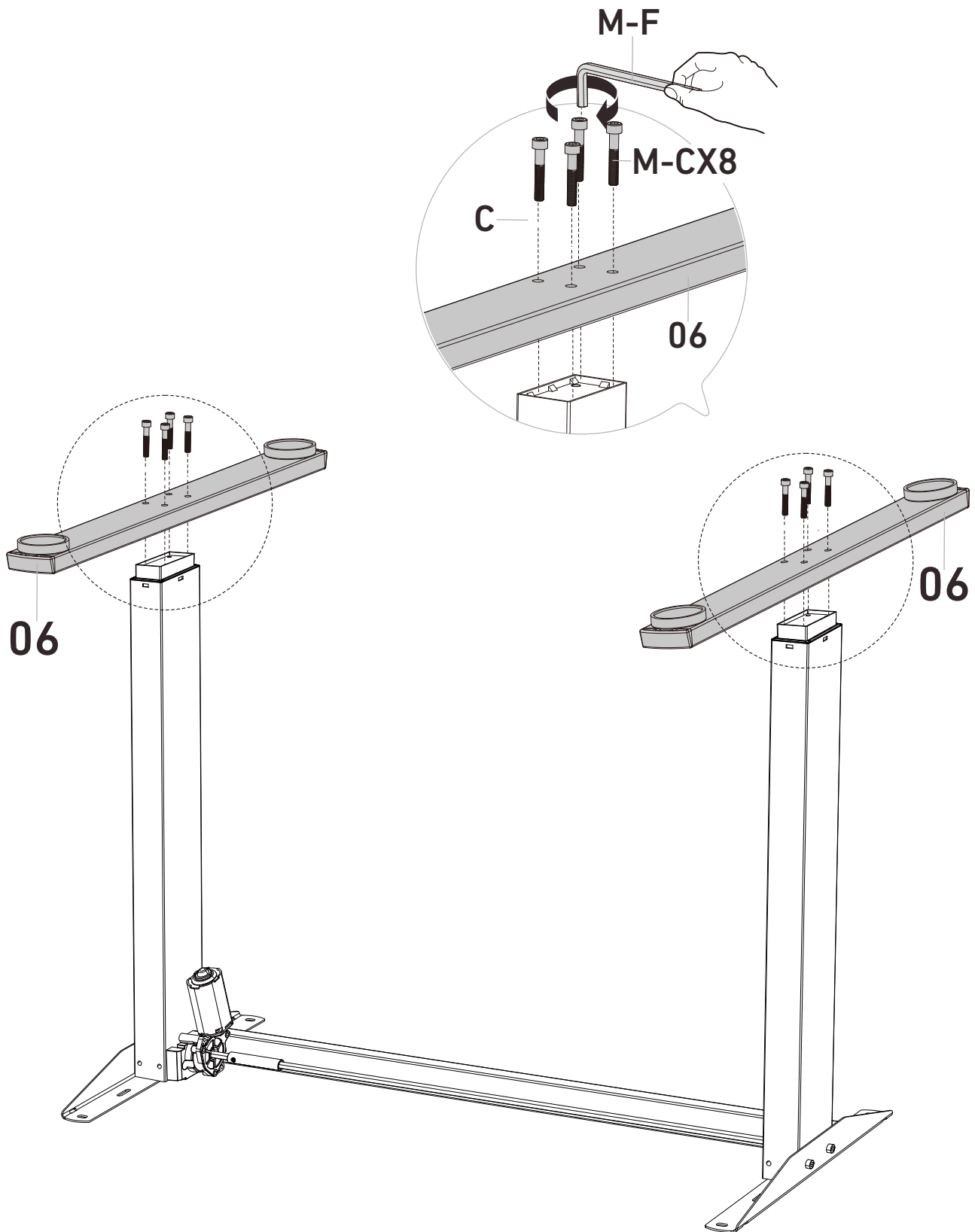


Step 2 Setting the Desk Legs to the Same Height

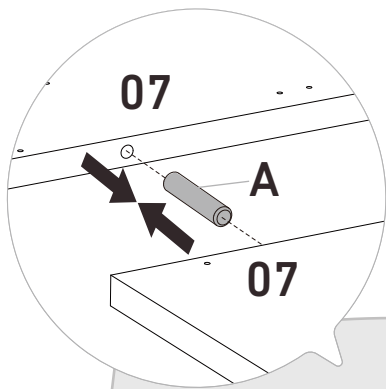


Step 3

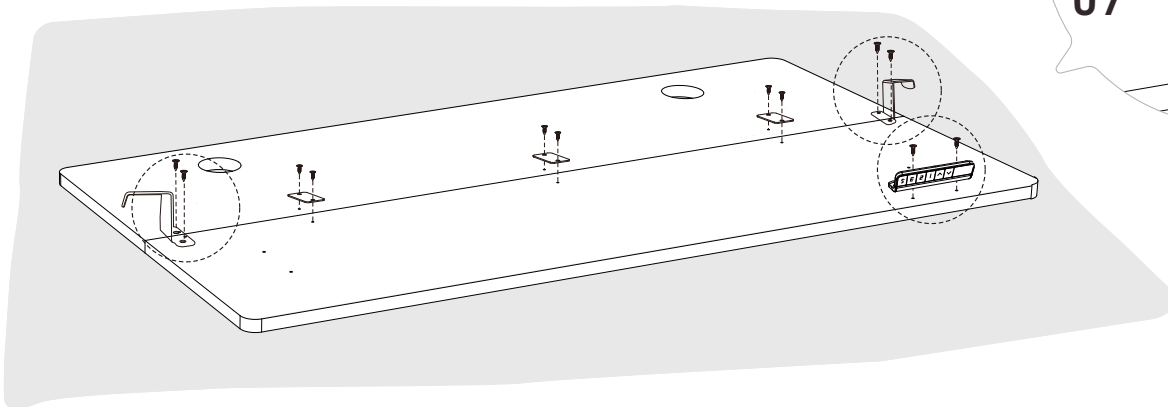
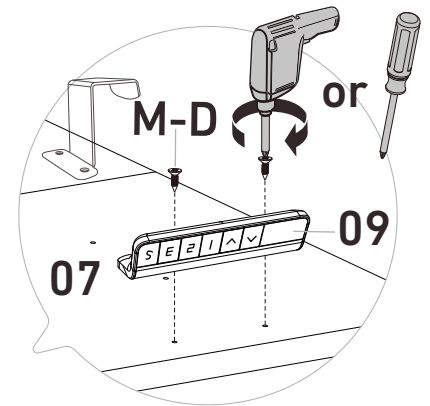
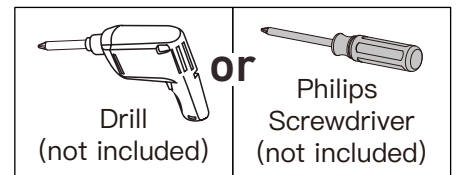
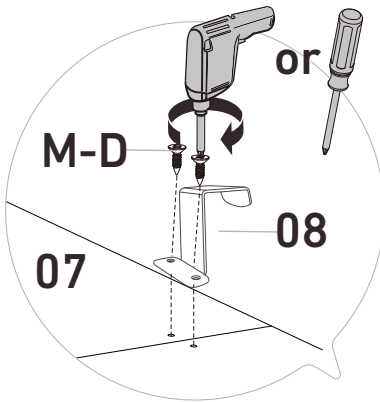
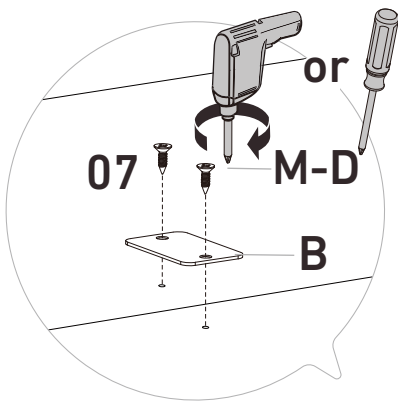
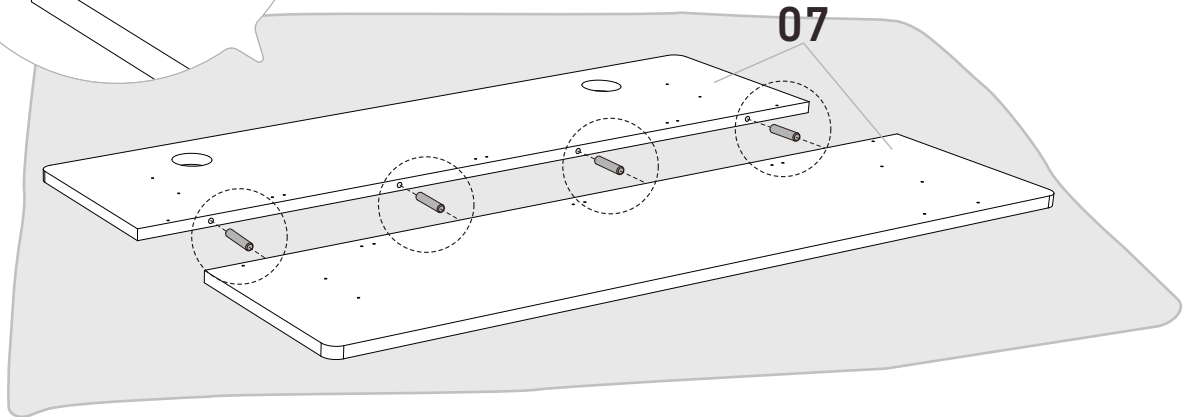
Attaching the Leg Bases



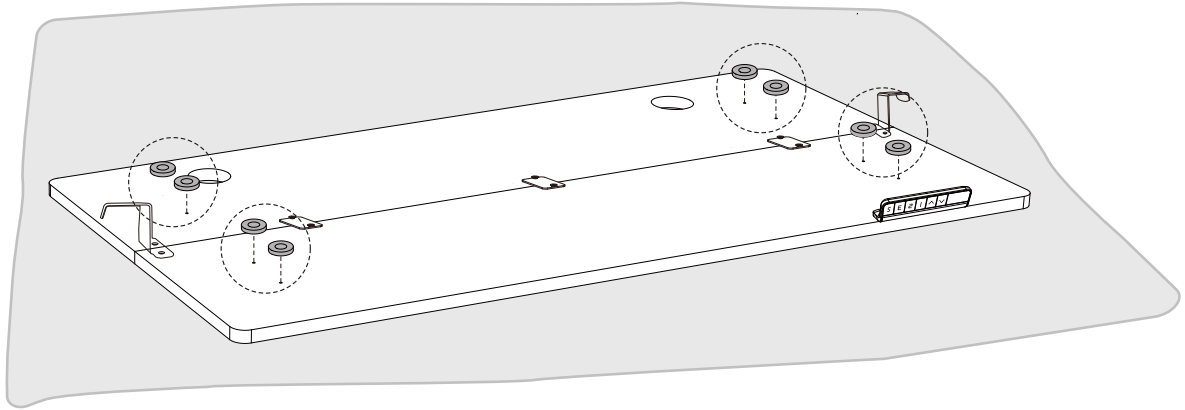
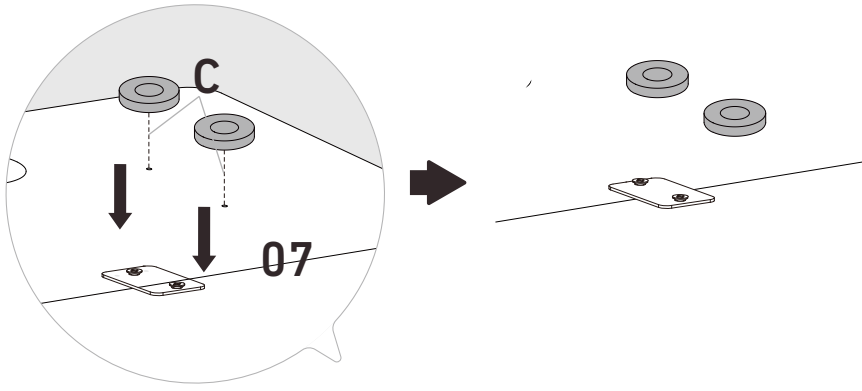
Step 4 Assembling and Attaching the Desktop



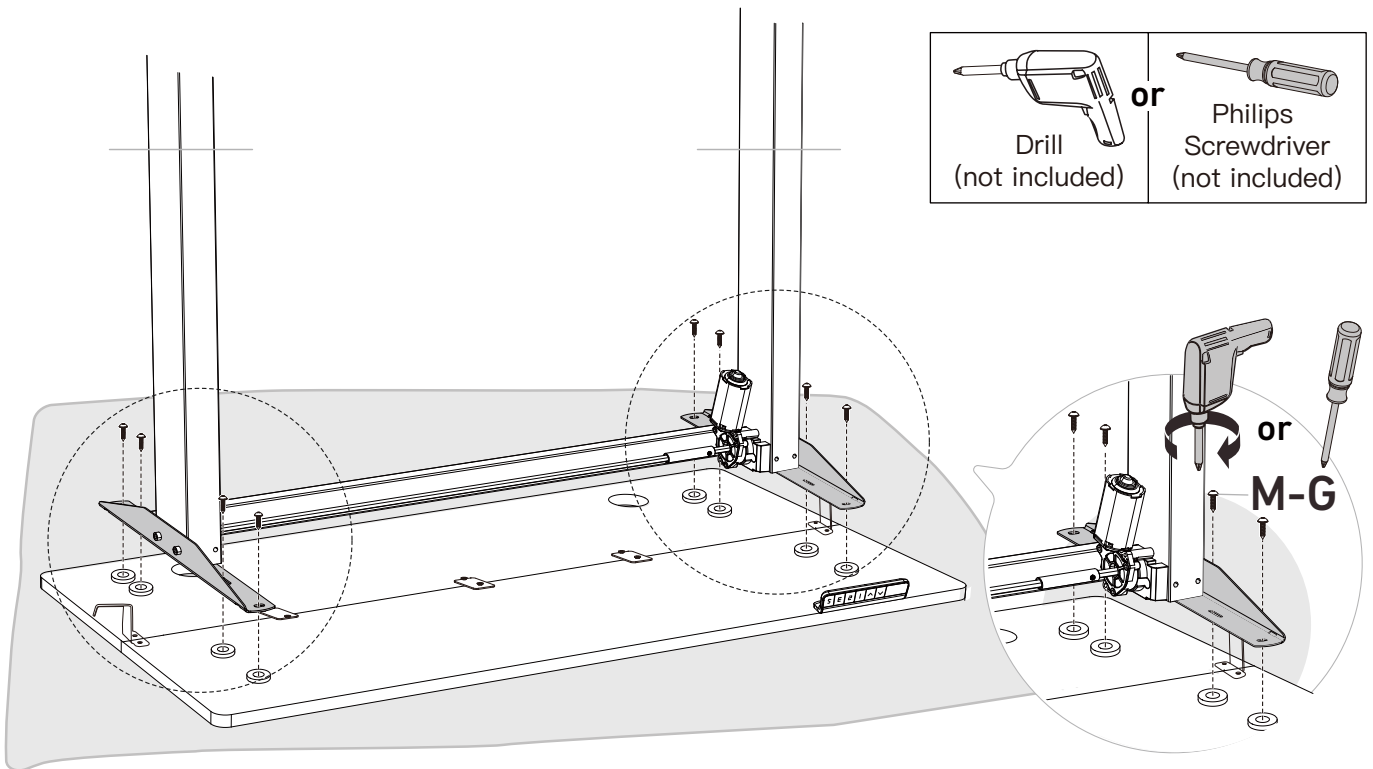
Assemble the desktop.



Secure the desktop panels with the connectors. Then attach the hooks and controller to the desktop.



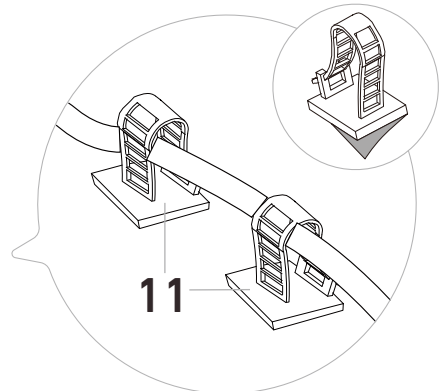
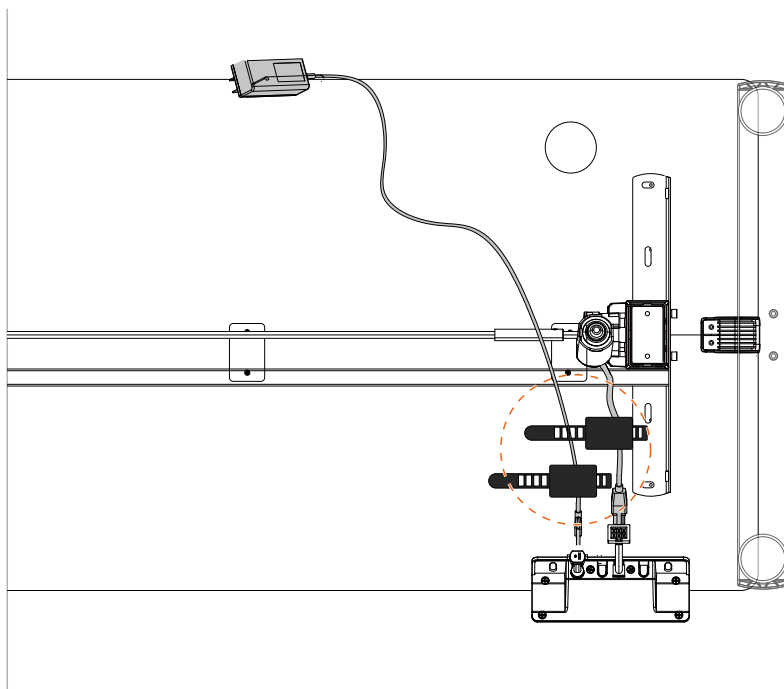
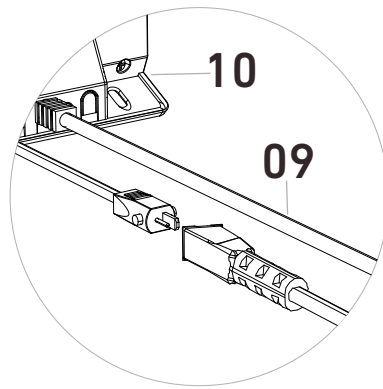
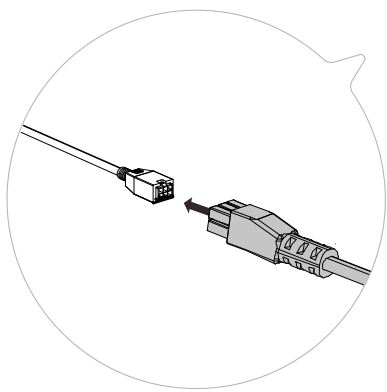
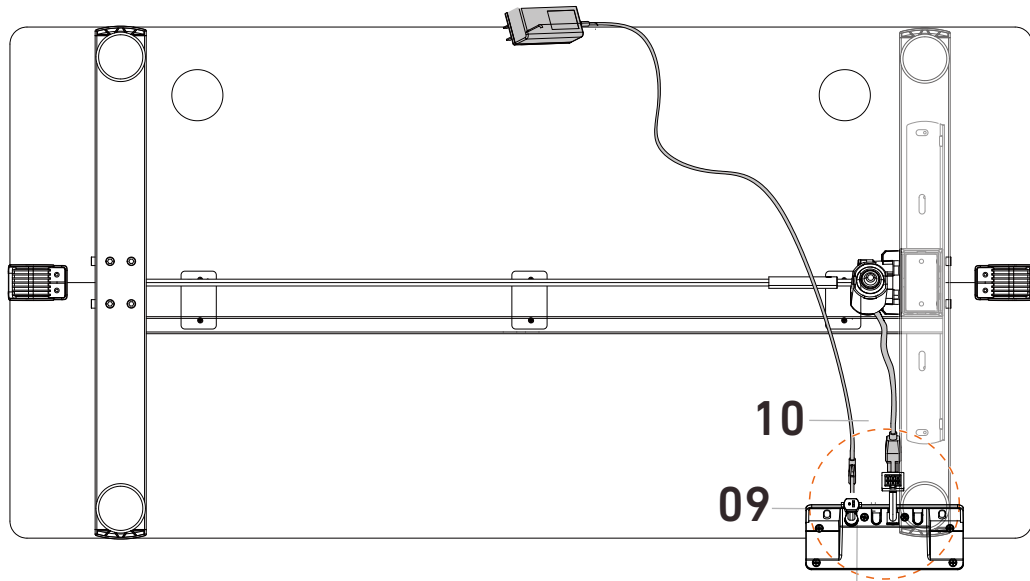
Place rubber pads on the desktop screw holes.



Attach the frame to the desktop.

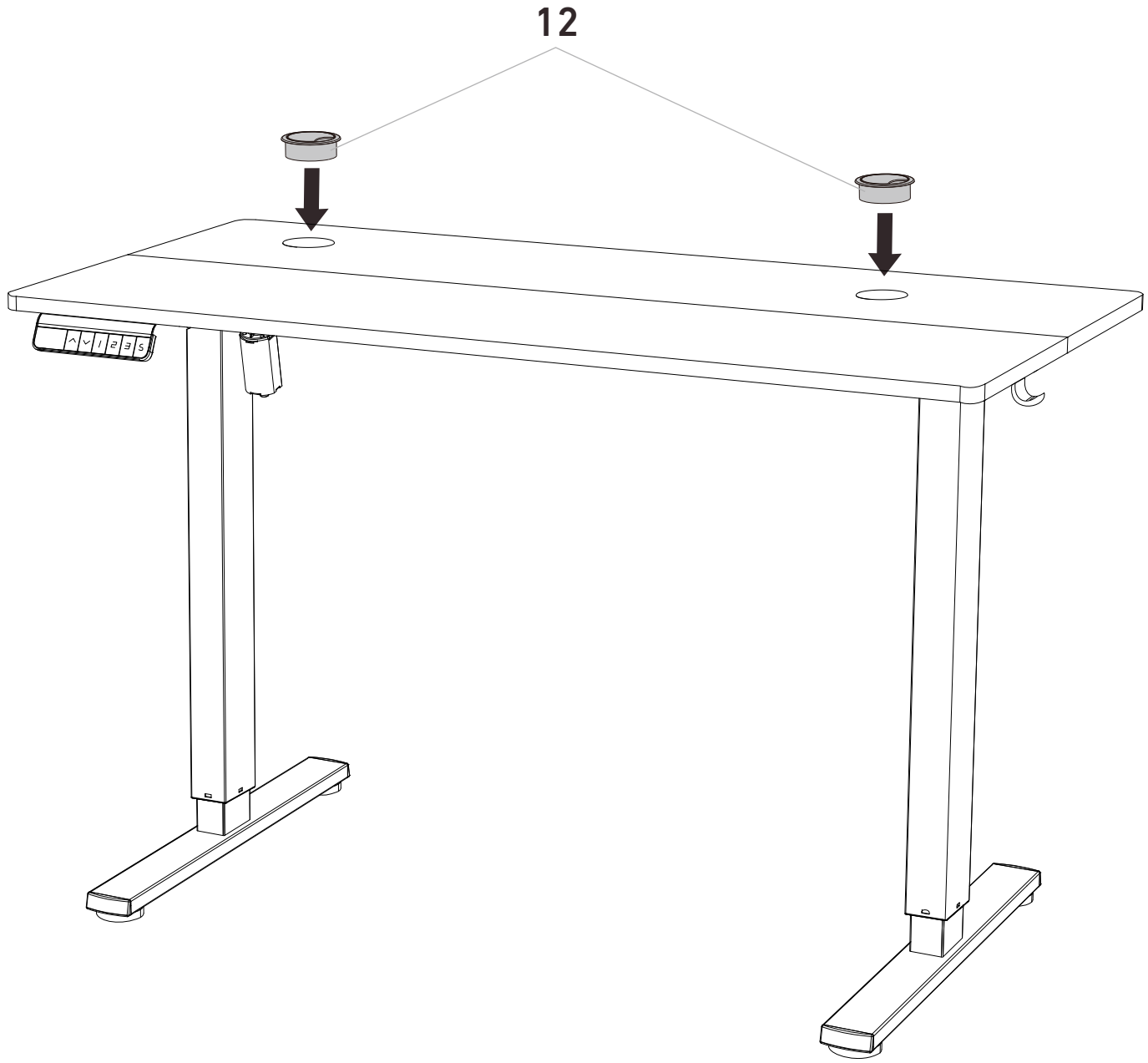
Step 5

Connecting the Cables

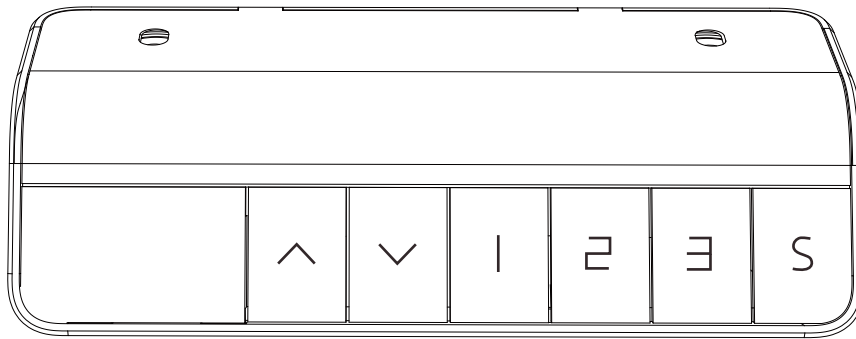


Step 6

Installing the Cable Hole Covers




Using the Controller




- **Raise the Desk**

Press the  button to raise the desk continuously until it reaches the highest position or the button is released.


- **Lower the Desk**

Press the  button to lower the desk continuously until it reaches the lowest position or the button is released.


- **Select Height Setting 1**

Press the  button, and the desk will move to the height that was previously set for that button.








- **Select Height Setting 2**

Press the  button, and the desk will move to the height that was previously set for that button.

- **Select Height Setting 3**


Press the  button, and the desk will move to the height that was previously set for that button.

Save Current Height Setting



Short-press the  button, and the screen will show 'S-'. Press the , , or  button to save the current height setting to that button. When you press the , , or  button, the desk will move to the height that was previously set for that button. Any button-press will stop the desk.

Settings



• **Reset**

Press and hold the  button until 'rst' is displayed. Continue holding until the desk goes down to its lowest level and comes back up slightly. Release the button, and reset is complete. If the button is released during the reset procedure, reset will stop. The desk won't work until reset is done correctly.

• **Child Lock**

Press and hold the  and  buttons together for 5 seconds to turn child lock on. The screen will show 'LOC' and the buttons will be disabled. Turn child lock off the same way.

• **Settings Menu**

Press and hold the S button for 3 seconds, "S--" will be displayed. Then short-press the S button to enter setup mode. Short-press the  or  button to navigate through the menu or adjust the settings. Short-press the S button to enter next menu or save the changes. Short-press the 1 button to return to the previous menu. If there is no button-press for 20 seconds, it will exit setting mode.

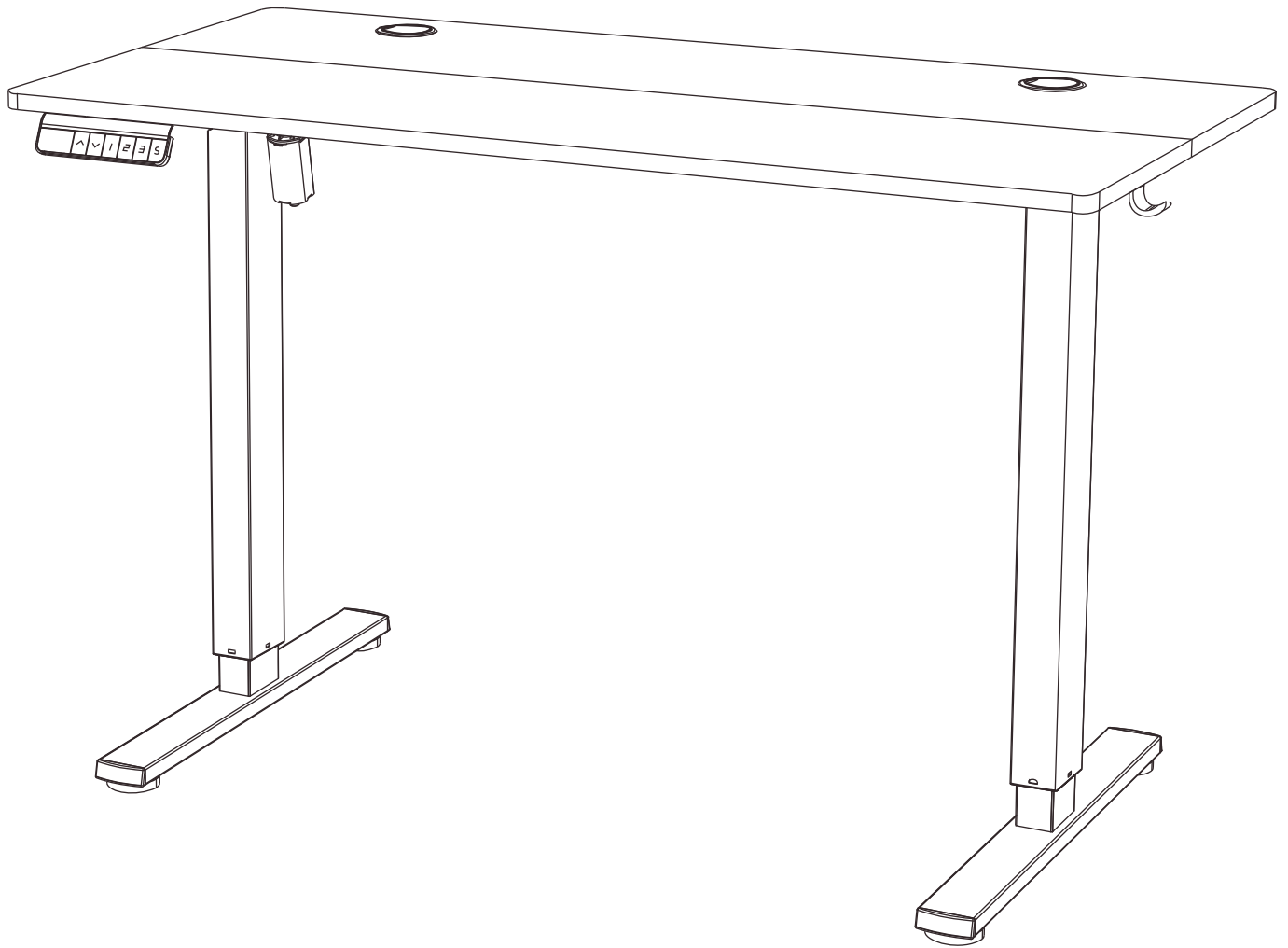
• **Power-Saving Mode**

The screen will turn off if there is no button-press for a minute. Any button-press will turn the screen on again.

Protection Mode Error Codes

SC0	Standby Overvoltage Protection: Standby voltage too high. Power off the desk, check the connection between power and the controller, and power on again. If error code persists, please contact technical support.
SC1	Power Supply Overvoltage Protection: Input voltage too high. If the correct AC adapter is being used, power off the desk, check the connection between power and the controller, and power on again. If error code persists, please contact technical support.
SC4	Operating Overvoltage Protection: Operating voltage too high. Power off the desk, check the connection between power and the controller, and power on again. If error code persists, please contact technical support.
hot	Overheating Protection: When the motor has been working continuously for too long, it will stop operating to prevent overheating. Wait for at least 18 minutes (until error code disappears) before making any further height adjustment.
r-6	Power Supply Overvoltage Protection (during use): Input voltage too high. Error clears when power supply voltage returns to normal. If error code persists, please contact technical support.
rst	Reset Warning: Continue to complete reset.
E10	Short Circuit Protection: Power off, check the cable connections, and power back on again. If error persists, please contact technical support.

E11	Overloading Protection: Max load exceeded. Error code will persist for 20 seconds (DO NOT operate). Take the things off the desk and confirm there is no mechanical damage before trying again.
E12	Motor Phase Error Protection: Power off, check the cable connection between the motor and the controller, and power back on again. Then follow the reset instructions. If error code persists, please contact technical support.
E13	Sensor Malfunction Warning: Motor sensor can't be detected. Power off, check the cable connection between the motor and the controller, and power back on again. Then follow the reset instructions. If error code persists, please contact technical support.
E14	Anti-Collision System Warning: Impact detected. The desk will move 2" (50mm) in the opposite direction and stop.
E16	Cable Disconnection Warning: Check motor and controller cable connections. Normal operation should return once all connectors are properly connected. If error code persists, please contact technical support.
E17	Mechanical Failure Warning: Check if there is any structural damage or motor fault.



Technical Support

(909)637-7665 | (909)637-7593

Other Info

HJ-Customer-Service@outlook.com

Thank you for choosing this product. We strive to provide you with the best quality products and service in the industry. Should you have any issues, please don't hesitate to contact us.