

Synthetic Portnet Generation with Controllable Complexity for Testing and Benchmarking

Madiou Diallo^{1,2}, Benny Akesson^{1,2}, Debjyoti Bera¹, and Ronald Begeer¹

¹ ESI (TNO), Eindhoven, the Netherlands

² University of Amsterdam, Amsterdam, the Netherlands

Abstract. There are many classes of Petri nets for describing communicating systems. Some of these guarantee important properties, such as termination in the case of portnets. There are also many methods and tools available for their analysis and synthesis. However, when developing new methods, or benchmarking against existing ones, it is often helpful to quickly generate large sets of random models satisfying certain properties and user-defined rules.

This paper presents a heuristic-driven method for synthetic generation of random portnets based on refinement rules. The method considers three user-specified complexity parameters: the expected number input and output places, and the prevalence of non-determinism in the skeleton of the generated net. An implementation of this method is available as an open-source Python tool. Experiments demonstrate the relations between the three complexity parameters and investigate the boundaries of the proposed method.

1 Introduction

The theory of communicating systems have been extensively studied over the past few decades [1, 9]. A lot of the results on their modeling and analysis are being increasingly applied in context of component-based software development in industry, such as in the development of medical devices [11], radars [2], and lithography machines [18]. Such systems usually consist of many asynchronously communicating components that cooperate to realize a set of functionality. It is essential for safe and reliable operation that such systems are designed correctly and that the interactions between components, specified by their interfaces, are guaranteed to be free from problems, such as deadlocks, livelocks, or buffer overflows.

Petri nets [15] are a popular formalism for modeling and analysis of asynchronous communicating systems. In the context of service-oriented architectures and distributed control systems, there exist a lot of work [1] around architectural frameworks, interaction patterns, and classes of Petri nets guaranteeing some

Copyright © 2021 for this paper by its authors. Use permitted under Creative Commons License Attribution 4.0 International (CC BY 4.0).

sort of termination property [3,4]. Next to that, there are also a lot of methods and tools available for their analysis (structural or behavioral) and synthesis, e.g. adapter generation [1, 8, 13]. Development of new methods and tools, as well as benchmarking of existing ones, benefit from the ability to synthetically generate large sets of random input models satisfying certain properties and constraints [17], e.g. the size and complexity of the generated net. Such synthetically generated models reduce or even eliminate the time-consuming process of manually creating large sets of input models to identify bugs or for benchmarking against existing methods and their implementations.

The need for synthetic generation of models with controllable characteristics is recognized in the modelling community, and tools already exists for generating task graphs [7], synchronous data-flow graphs [16], as well as Petri nets [17]. Simple place transition nets are not suitable for modeling component-based systems. The class of open nets [10] is more appropriate, as it explicitly models communication aspects. Components communicate with each other over interfaces modeled as portnets [4], which are a class of open nets with various structural constraints, guaranteeing the freedom of deadlocks, livelocks and unbounded behaviour, even in the presence of multiple clients. However, there is currently no method to synthetically generate random portnets with controllable parameters, limiting efficient development and benchmarking of methods and tools applicable to this class of nets, e.g. [8, 12, 13] and the software interfaces they model [2, 11].

This paper addresses this problem through four main contributions:

1. Three complexity metrics for portnets are defined, the number of input and output places in net, as well as the prevalence of non-determinism within its skeleton (i.e. the net obtained after discarding the input and output places), and we discuss their inherent relation for nets generated from refinement rules.
2. A heuristic method based on refinement rules for quick synthetic generation of random portnets that considers the three complexity metrics as input parameters is proposed.
3. An implementation of the proposed method in an open-source Python tool.
4. An experimental demonstration of the relations between the complexity parameters, and an evaluation of how well the proposed method and tool satisfy them.

The rest of this paper is organized as follows. Section 2 presents the necessary preliminaries. Section 3 then introduces the three complexity parameters and discuss their inherent relation, before Section 4 introduces the proposed method for synthetic port net generation. Section 5 discusses the implementation of the proposed method in a tool, which is then experimentally evaluated in Section 6. Section 7 concludes the paper.

2 Preliminaries

This section introduces the preliminaries that our proposed method for synthetic generation of random portnets builds on. Section 2.1 introduces relevant Petri Net concepts after which Section 2.2 presents a set of refinement rules.

2.1 Petri Nets

A Petri net is a tuple $N = (P, T, F)$, where P is the set of *places*; T is the set of *transitions* such that $P \cap T = \emptyset$ and F is the *flow relation* $F \subseteq (P \times T) \cup (T \times P)$. We refer to elements from $P \cup T$ as *nodes* and elements from F as *arcs*. We define the *preset* of a node n as $\bullet n = \{m \mid (m, n) \in F\}$ and the *postset* as $m \bullet = \{n \mid (m, n) \in F\}$. A path ν in a Petri net N of length $n \in \mathbb{N}$ is a function $\nu : 1, \dots, n \rightarrow (P \cup T)$ such that $(\nu(i), \nu(i+1)) \in F$ for all $1 \leq i < n$. We denote a path of length n by $\nu = \langle x_1, \dots, x_{n_i} \rangle$, where $x_i = \nu(i)$ for all $1 \leq i \leq n$.

A Petri net is a *state machine* (S-Net) if and only if the preset and postset of all of its transitions are never greater than one. In a state machine, a place is called a *split* if its postset is greater than one. Likewise, it is a *join* if its preset is greater than one. A Petri net is a *workflow net* (WFN) if there exists exactly one place with an empty preset, called the *initial place*, exactly one place with an empty postset, called the *final place*, and all nodes are on a path from the initial to the final place. A *workflow net* (WFN) that is also an *S-Net* is called a *state machine workflow net* (S-WFN).

An *open Petri net* (OPN) is an extension of classical Petri nets, ideal for modeling asynchronous communicating systems. OPNs have a distinguished set of interface places partitioned into a subset of *input places*, I , and *output places*, O , representing the interfaces of the net. All places (including inputs and outputs) and transitions are pairwise disjoint. The net obtained by discarding the interface places and their associated arcs of an OPN is called its *skeleton*. The skeleton of an OPN defines its internal behavior. If the skeleton of an OPN is a WFN then the OPN is called an *open workflow net* (OWN). If the skeleton of an OPN is an S-WFN then the OPN is called a *state machine open workflow net* (S-OWN). Two OPNs can be composed by fusing their shared interface places. We say two OPNs are *composable* if and only if the set of input places of one net is equal to the set of output places of the other net, and vice versa. Two examples of server and client S-OWNs that have been composed are shown in Figure 1. The interface places are visually distinguished by putting them inside a black rectangle. Tokens in these places represent messages being communicated between the server and the client.

A *portnet* is an S-OWN with four constraints on the relation between transitions and interface places and the paths through it.

1. A transition is connected to exactly one input place or output place. As a consequence, a transition is either representing a *send* or a *receive* operation.
2. Each interface place is connected to exactly one transition.

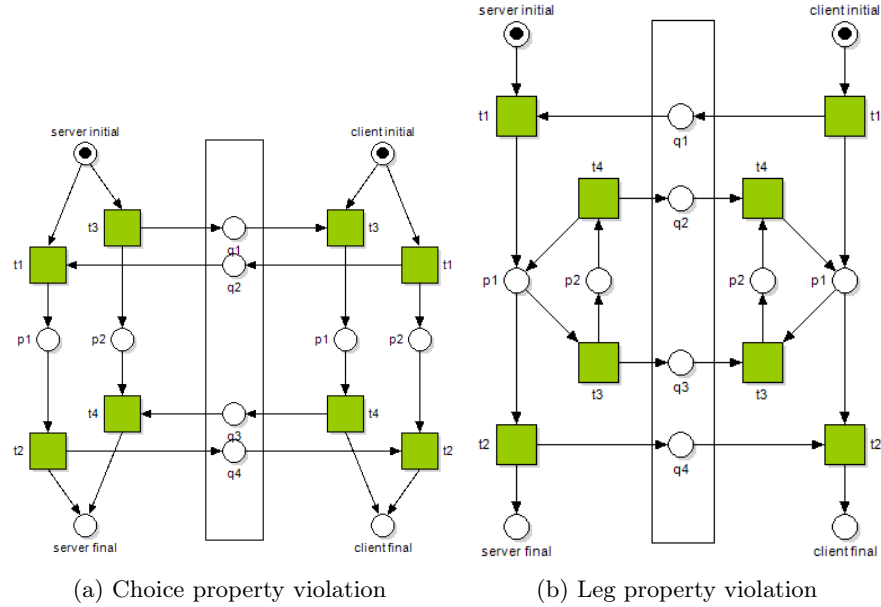


Fig. 1: Two examples of server and client open nets that have been composed to form closed nets. These nets are not portnets because of property violations.

3. A portnet must satisfy the *choice property*, which requires all transitions belonging to the postset of a place to communicate in the same direction, i.e. they must all either send or receive.
4. A portnet must satisfy the *leg property*. A path in a portnet is called a *leg* if it is a path from a *split* to a *join*. The initial place is considered as a split and the final place as a join. The *leg property* requires every leg in a portnet to have at least one send transition and one receive transition.

The two servers (and clients) in Figure 1 are S-OWN, but not portnets. While they both satisfy the first two constraints, the initial place in Figure 1a violates the choice property. This causes a deadlock with tokens in interface places q_1 and q_2 if the server and client follow different paths. In contrast, the net in Figure 1b satisfies the choice property, but the path $\langle p_1, t_3, p_2, t_4, p_1 \rangle$ violates the leg property since it only has communication in one direction. This allows the server to execute this path without synchronizing with the client, possibly resulting in an unbounded number of tokens in interface places q_2 and q_3 .

For a formal definition of all these concepts, please refer to [4]. The four portnet constraints guarantee the *weak termination* property, which promises freedom of deadlocks, livelocks and unbounded behavior. A portnet is called a client (server) portnet if all transitions in the postset of the initial place are of type send (receive). A server portnet can be composed with one or more client portnets if and only if they are composable and their skeletons are isomorphic.

2.2 Refinement Rules

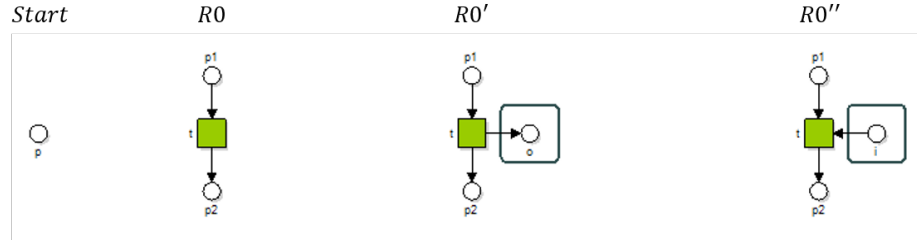
The work in [4] presents refinement rules to construct portnets starting from a single place. The four refinement rules guarantee that the resulting net is always a portnet. For each of the four refinement rules, we distinguish two categories: *base rules* and *modified rules*. Base rules form the starting point for refinement. They are applied to a transition or place and generate a new structure within the portnet. In conjunction with a modified rule, the structure is altered in a way such that it adheres to the four portnet constraints. Specifically, the modified rules determine the direction of communication and ensure the leg and choice properties are satisfied. In the remainder of this paper, we denote a base rule as Rx and the corresponding modified rules as Rx'/Rx'' . We continue by briefly describing each of the four refinement rules. A graphical representation of each rule can be seen in Figure 2.

R0: Default Place Refinement The default rule, $R0$, forms the base of the refinement rules. It refines a place p by expanding it into two new places, $p1$ and $p2$ connected by a transition, t . The modified rules $R0'$ and $R0''$ connect the added transition to an input place, i , or output place, o , to ensure that the portnet constraints are satisfied. Rule $R0$ is visualized in Figure 2a.

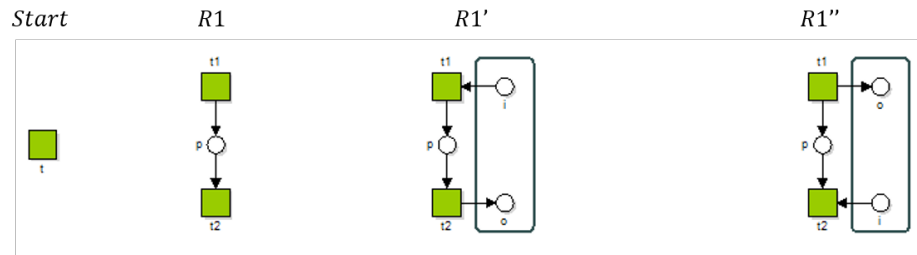
R1: Transition Refinement Rule $R1$ is similar to $R0$, but refines a transition rather than a place. It refines a transition t by expanding it into $t1$ and $t2$ and connecting them through a place, p . The modified rules connect each transition to an input place, i , or an output place, o , to satisfy the structural constraints. Note that both transitions cannot connect to input places or output places, since this would violate the leg property. This rule is shown in Figure 2b.

R2: Non-deterministic Transition Refinement The non-deterministic transition refinement rule $R2$ expands a transition, $t1$ by duplicating it. The newly created transition $t2$ has the same preset and postset, $p1$ and $p2$, as shown in Figure 2c. Like with the previous rules, the modified rules ensure that the four portnet constraints are satisfied. This means ensuring that $t1$ and $t2$ communicate in the same direction to satisfy the choice property and that each of the two legs contains communication in both directions to satisfy the leg property.

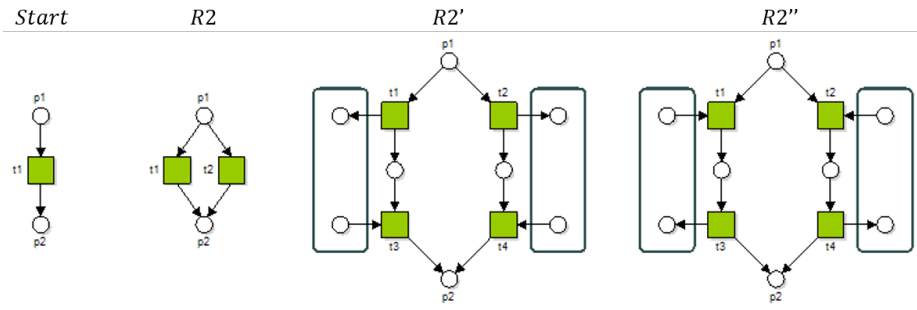
R3: Cyclic Place Refinement When refining a place, p , $R3$ introduces a cyclic structure with a transition, t , as shown in Figure 2d. Note that the base rule of $R3$ violates the leg property. Consequently, the modified rules further expand the resulting structures and satisfy the leg property by ensuring communication in both directions. Note that $R3$ introduces a split in the net when applied to a place that already has an outgoing arc. This is always the case in this paper, since the only place without an outgoing arc in a workflow net is the final place, and applying this rule to that place violates its definition.



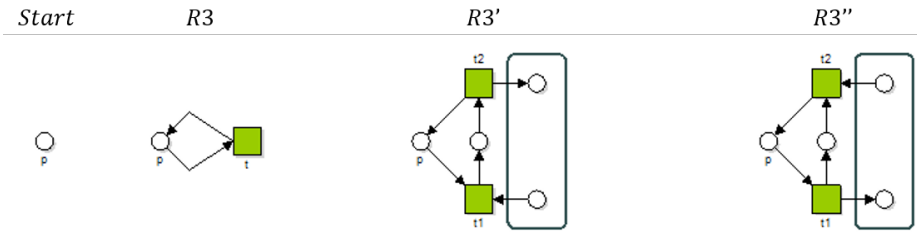
(a) Default Place Refinement



(b) Transition Refinement



(c) Non-deterministic Transition Refinement



(d) Cyclic Place Refinement

Fig. 2: The four refinement rules from [4], each with two modified versions that ensure portnet constraints are satisfied.

3 Complexity Parameters

This section introduces the three user-specified complexity parameters and discusses their inherent relation in portnets generated using the refinement rules. Note that this relation is independent from our proposed generation method.

3.1 Definition of Complexity Parameters

First, we introduce a measure of non-determinism present in a portnet. Given a portnet $N = (P, I, O, T, F)$, we define *prevalence of non-determinism*, or just *prevalence* for short, as

$$\rho(N) = \frac{|\{(p, t) \in F \mid p \in P \wedge |p^\bullet| > 1\}|}{|\{(p, t) \in F \mid p \in P\}|} \quad (1)$$

We will refer to the set of arcs defined in the numerator as *non-deterministic arcs*, i.e., the set of all outgoing arcs from split places of the net. The remaining set of outgoing arcs from places that are not included in this set are referred to as *deterministic arcs*.

This work considers three *complexity parameters*, $(I_{exp}, O_{exp}, Pr_{exp})$ as input, where $I_{exp} > 0$ is the expected number of input places, $O_{exp} > 0$, is the expected number of output places, and, $Pr_{exp} \in [0.0, 1.0]$ is the expected prevalence of non-determinism in the generated net. The number of input places and the number of output places are simple and intuitive complexity parameters for open nets. Prevalence captures the complexity of the control flow and can be used as an alternative to cyclomatic complexity [14] or the more elaborate Control-Flow Complexity (CFC) metric [6].

By the definition of a portnet (see Section 2.1), there must be at least one input place and one output place to satisfy the leg property. Furthermore, each transition in a portnet is connected to exactly one input or output place and vice versa. The parameters I_{exp} and O_{exp} hence directly determine the number of transitions in the synthesized net.

Figure 3 shows an example portnet with four input places and four output places. Observe the three *split* places *initial*, *p2*, and *p3*. The sum of outgoing arcs from these places is six. Since the total number of arcs from places to transitions is eight, the prevalence in the net is $\frac{6}{8} = 0.75$.

3.2 Influence of Refinement Rules on Complexity

We proceed by discussing the relation between the defined complexity parameters in portnets generated using refinement rules. Note that all refinement rules add nodes and arcs to the net being refined. Table 1 summarizes the number of nodes and arcs added by each rule.

From the table, we make three observations. First, $R0$ is the only rule that can add a single interface place (i.e., either an input place or an output place). All other rules add an equal number of input and output places. Consequently,

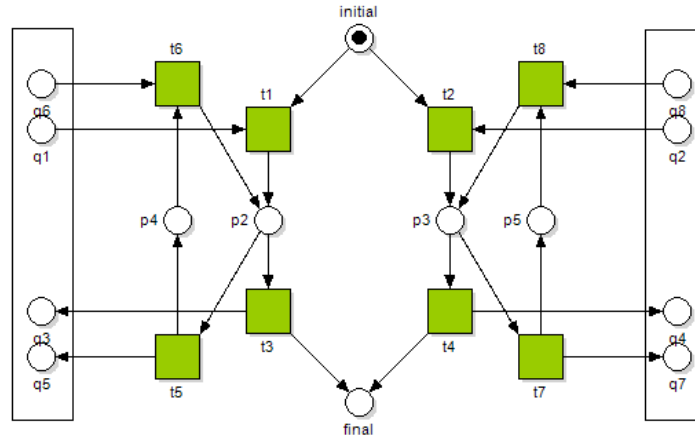


Fig. 3: Example portnet with characteristics ($I_{exp} = 4, O_{exp} = 4, Pr_{exp} = 0.75$)

Table 1: Elements added to the generated portnet through the application of each refinement rule.

Rule	Inputs	Outputs	Transitions	Places	Deterministic Arcs	Non-Deterministic Arcs
R0	$0/1^a$	1/0	1	1	1	0
R1	1	1	1	1	1	0
R2	2	2	3	2	1	2
R3	1	1	2	1	$1/0^b$	1/2

^a For $R0'$ / $R0''$, respectively

^b When applied to non-deterministic (split) / deterministic places, respectively

one or more applications of a modified rule of $R0$ must be applied when the number of expected input places and output places are different. We also see in Table 1 that this rule only adds a deterministic arc. Unless the current net (under construction) is already fully deterministic, $Pr_{cur} = 0$, it follows from Equation (1) that the overall prevalence of non-determinism of the generated net is reduced when the rule is applied. An implication of this is that the prevalence of non-determinism is generally lower in random nets where the number of input places and output places are not equal. We later demonstrate this experimentally in Section 6.

Secondly, we note that only rules $R2$ and $R3$ introduce non-determinism, as they introduce a split from the original path. For this reason, we refer to these rules as the set of *non-deterministic rules*, while $R0$ and $R1$ comprise the set of *deterministic rules*.

Thirdly, as previously mentioned in Section 2.2, a place is always a split place after rule $R3$ has been applied to it. Figure 3 illustrates this. In this net, $R3$ has just been applied on $p2$ and $p3$. Consequently, as there are then two outgoing

arcs from both of those places they both become split places. Each application of $R3$ has hence added one deterministic arc and two non-deterministic arcs, one of which was previously deterministic. In total, the number of deterministic arcs is hence unchanged, while the number of non-deterministic arcs increased by two. When $R3$ is applied to a place that is already non-deterministic (split), e.g. to $p2$ again, one deterministic and one non-deterministic arc is added. It follows from Table 1 and Equation (1) that the prevalence of non-determinism in a net is maximally increased when applying rule $R3$ to deterministic place.

4 Portnet Generation Method

This section presents our proposed heuristic method for generation of random portnets. First, we discuss the order in which the refinement rules can be applied in Section 4.1, before presenting our algorithm for selecting and applying them to satisfy the user-specified complexity parameters in Section 4.2.

4.1 Allowed Ruleset

After introducing the refinement rules, the complexity parameters and their relations, we proceed by presenting the *allowed ruleset*. This ruleset determines how the refinement rules from Section 2.2 can be applied in sequence on structures within the portnet, starting from a single place. The output of one rule becomes the input for the next. The applied ruleset hence ensures basic compatibility between the rules, i.e. that a transition refinement cannot be applied to a net comprising only a single place.

Figure 4 illustrates the allowed ruleset. Nodes in the figure represent applications of rules and the edges determine the rules that may subsequently be applied. Any sequence of rules, starting from a single place p_{start} and ending at any modified rule Rx' is referred to as a *refinement iteration*. As seen in Figure 4, the single place p_{start} that serves as a starting point for the iteration can be refined using either $R0$ or $R3$, since these are the only rules applicable to a single place. This process then continues on the resultant of the refinement until a modified rule causes termination. The resulting structure is the output of one refinement iteration. As can be observed from the state machine, all refinement iterations consist of one or more base-rules. However, each refinement iteration comprises only one modified rule after which the iteration is complete.

4.2 Generation Algorithm

We now present our portnet generation algorithm. Given the three user-specified complexity parameters as input, the algorithm generates a random portnet that attempts to adhere to these parameters. The pseudo code of the algorithm is shown in Algorithm 1. We continue by discussing this algorithm in more detail.

The algorithm starts from a portnet N comprising a single initial place (Line 1). It then initializes three variables I_{cur} , O_{cur} , and Pr_{cur} , which represent the remaining number of input places and output places to add to the

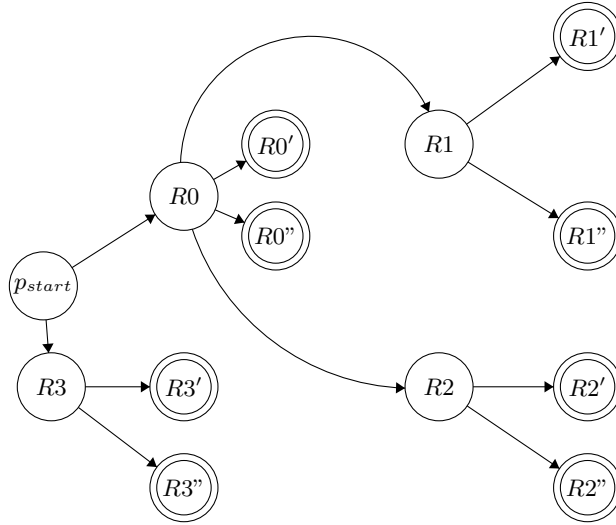


Fig. 4: Valid sequences of rules within a refinement iteration.

portnet N , as well as its current prevalence (Line 2). For convenience, we encode the set of deterministic and non-deterministic rules, respectively, as refinement iterations. The refinement iterations in the set of deterministic rules contain all sequences of refinement rules in the allowed ruleset that start from a single place and terminate with the modified rules of $R0$ and $R1$, respectively (Line 3). Conversely, the refinement iterations in the set of non-deterministic rules contain the sequences that terminate with the modified rules of $R2$ and $R3$, respectively (Line 5).

While there are still more input or output places to add to the current net (Line 8), new refinement iterations are selected and applied. Selection of a refinement iteration starts by first computing the prevalence of the current portnet, Pr_{cur} , using Equation (1) (Line 9). If the current prevalence is less than the expected value provided by the user, the set of non-deterministic refinement iterations is used to increase it. However, this is only possible if there is at least one input place and one output place left to add to ensure that at least one rule ($R3$) in the set can be applied without exceeding the expected number of inputs and outputs (Line 10). Otherwise, if the current prevalence is greater than or equal to the expected value, or if there is not enough remaining inputs and outputs, the set of deterministic iterations is used instead (Line 11). This contains rule $R0$, which can be applied for any number of remaining input and output places. This simple mechanism steers the prevalence towards the expected value, while being mindful of the expected number of inputs and outputs.

Once the appropriate set of refinement iterations has been chosen, a refinement iteration is selected from the set along with a place to which it should be applied (Line 12). This selection is random, but subject to the constraint

that a refinement iteration that contains $R3$ cannot be selected together with the initial or final place. This is because such a refinement would violate the definitions of those places, as an initial place must have an empty preset and a final place an empty postset. The selected refinement iteration may also not exceed the remaining number of input and output places. The number of added input and output places is inferred by looking at the last rule in the sequence, which is always a modified rule, for which the number of added input and output places are shown in Table 1. Next, we subtract the number of input and output places that the selected refinement iteration adds to the generated net (Lines 13 and 14).

Lastly, the refinement rules in the selected refinement iteration is applied, one at a time (Lines 15-21). In case the refinement iteration contains a modified $R3$ rule that causes a choice property violation, the other modified rule is selected instead to resolve the violation.

Algorithm 1 Synthetic Portnet Generation

Inputs: Expected number of inputs I_{exp} , outputs O_{exp} , and prevalence Pr_{exp}

Output: Portnet N approximating the inputs.

- 1: Let portnet N with exactly one place and this is the *initial* place.
 - 2: Let $I_{cur} \leftarrow I_{exp}$, $O_{cur} \leftarrow I_{exp}$, $Pr_{cur} \leftarrow 0$
 - 3: Let $detrules = \{\langle R0, R0' \rangle, \langle R0, R0'' \rangle, \langle R0, R1, R1' \rangle, \langle R0, R1, R1'' \rangle\}$
 - 4: ▷ set of sequences of deterministic refinement rules
 - 5: Let $nondetRules = \{\langle R0, R2, R2' \rangle, \langle R0, R2, R2'' \rangle, \langle R3, R3' \rangle, \langle R3, R3'' \rangle\}$
 - 6: ▷ set of sequences of non-deterministic refinement rules
 - 7: Let $ruleset$ be an empty *sequence* of refinement rules
 - 8: **while** I_{cur} and O_{cur} are not equal to zero **do**
 - 9: $Pr_{cur} \leftarrow \rho(N)$
 - 10: **if** $Pr_{cur} < Pr_{exp}$ and $I_{cur} \geq 1$ and $O_{cur} \geq 1$ **then** $ruleset \leftarrow nondetrules$
 - 11: **else** $ruleset \leftarrow detrules$
 - 12: Pick $r \in ruleset$ and $p \in P_N$, such that (p is not *initial* or *final* and $r(0) \neq R3$) and (I_{cur} and O_{cur} are greater than or equal to the inputs and outputs added to the net introduced by r)
 - 13: Subtract the number of inputs introduced by rule r from I_{cur}
 - 14: Subtract the number of outputs introduced by rule r from O_{cur}
 - 15: **while** r is not empty sequence **do**
 - 16: **if** $r(0) = R3'$ or $r(0) = R3''$ **then**
 - 17: **if** refining place p with $R3'$ causes a choice property violation **then**
 - 18: $r(0) \leftarrow R3''$
 - 19: **else** $r(0) \leftarrow R3'$
 - 20: Refine place p of portnet N with rule $r(0)$.
 - 21: Remove rule $r(0)$
-

5 Tool Implementation

The proposed method has been implemented in an open-source Python tool. The source code of the project can be found on GitHub³. The prototype tool was built with modularity in mind and is therefore easily extendable. The addition of new refinement rules or adding weights to the probabilities of rule selection is hence straight-forward.

The tool is invoked on the command line along with the expected complexity parameters, as shown in Figure 5. The basic format for invoking the tool is shown below. For reproducibility, it is also possible to provide a seed for the random number generator. If this is not provided, it is chosen at random.

`python3 (inputs) (outputs) (prevalence of non-determinism)`

The generated portnet is output in PNML⁴ format [5]. Since this work was done in the context of software interfaces in cyber-physical systems [2], it is also possible to generate a ComMA⁵ interface specification [11] with the same structure as the generated portnet. A manually made visualization of the generated net is shown in Figure 6a. To give an intuitive feeling for the prevalence parameter, a second example with the same number of expected input and output places, but a higher expected prevalence of non-determinism is shown in Figure 6b. Both generated nets contain the expected number of inputs and outputs. The actual prevalence, Pr , is closely approximated for the former net, while it is exact for the latter.

```

root@desktop:generator$ python3 generator.py --help
usage: generator.py [-h] [--f OUTPUTFILE] [--g] [--s SEED] I O P

Generate a PortNet / ComMA interface.

positional arguments:
  I          Number of Inputs
  O          Number of Outputs
  P          Prevalence of Non-Determinism

optional arguments:
  -h, --help      show this help message and exit
  --f OUTPUTFILE  Enter Name of Output File
  --g             Should a graphical representation be given?
  --s SEED        random seed
root@desktop:generator$ python3 generator.py 5 5 0.3 --f example --g --s 5592

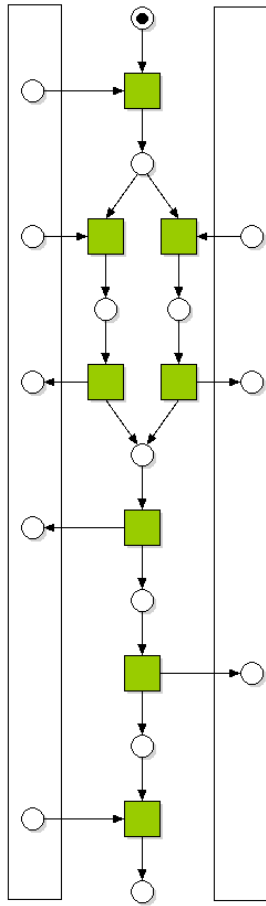
```

Fig. 5: Command Line Portnet Generation ($I_{exp} = 5, O_{exp} = 5, Pr_{exp} = 0.3$)

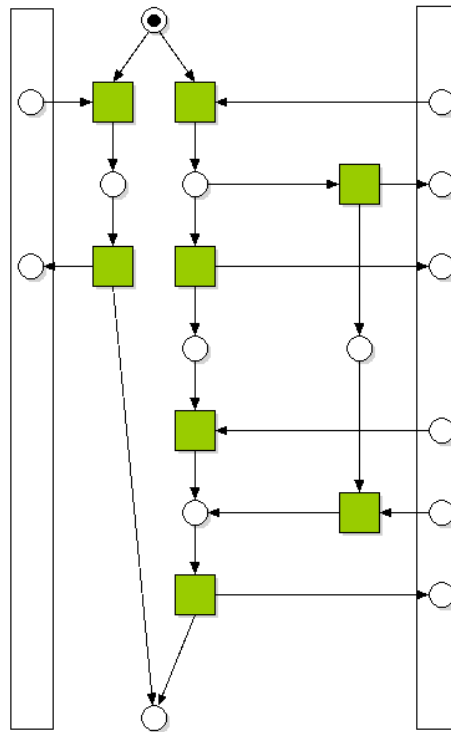
³ github.com/Diallo/Synthetic-Interface-Generator

⁴ <http://www.pnml.org/>

⁵ <https://esi.nl/research/output/tools/comma>



(a) Generated portnet with parameters $(I_{exp} = 4, O_{exp} = 4, Pr_{exp} = 0.3 | Pr = 0.25)$



(b) Generated portnet with $(I_{exp} = 4, O_{exp} = 4, Pr_{exp} = 0.5 | Pr = 0.5)$

6 Experiments

This section experimentally demonstrates the inherent relation between the user-specified complexity parameters, and evaluates the extent to which the proposed method manages to satisfy them.

For this experiment, portnets were generated by the tool for different combinations of user-specified complexity parameters. The required number of input and output places were taken from the set $\{2, 15, 20, 30, 50, 80\}$ and the expected prevalence of non-determinism from the set $\{0.2, 0.4, 0.6, 0.8\}$. In total, 40 portnets were generated for each combination of these parameters. The results of the experiments are shown in Figure 7, where each subfigure corresponds to a different value of expected prevalence of non-determinism. The six curves within each subfigure denote the number of input places. Each subfigure hence shows the average prevalence of non-determinism of the generated nets as a function of the required number of output places, the other two parameters are fixed.

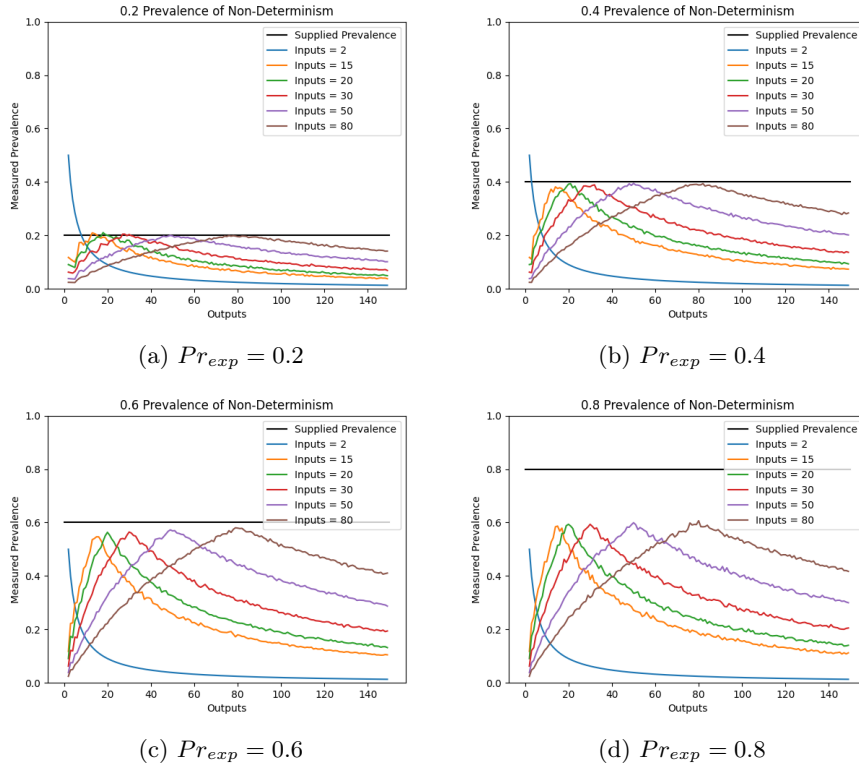


Fig. 7: Average observed prevalence of non-determinism as a function of the user-specified complexity parameters for 40 generated portnets.

Four remarks can be made about the results. Firstly, we have verified that the generated net always contains the expected number of input and output places.

Secondly, in all subfigures, we see that when fixing the number of input and output places to two, the generator tries to satisfy the expected prevalence of non-determinism by selecting a non-deterministic rule. The generator tries to match the parameter and creates a refinement iteration concluding with a modified rule $R2$. The only alternative non-deterministic rule is $R3$, which may not be applied to the initial or final place, as it would violate their definitions. The application of rule $R2$ provides all required input and output places, immediately causing the generation to stop no matter what the expected prevalence of non-determinism was. The generated net has a prevalence of non-determinism of $Pr=0.5$.

Thirdly, we see in Figures 7a and 7b that the expected prevalence of non-determinism is closely approximated when the number of input and output places are equal. This is the essence of what the proposed generation method is trying to achieve. We also see that the prevalence of non-determinism monotonically reduces as the absolute difference between the number of input places and output places increases. This experimentally demonstrates the inherent relation between the complexity parameters when randomly using the refinement rules. As previously mentioned in Section 2.2, this happens because the only way to account for the difference between the number of input and output places is to apply the deterministic rule $R0$, which only adds a deterministic arcs and hence generally reduces the prevalence of non-determinism.

Our fourth and final observation can be seen within Figures 7c and 7d. The figures show that the average prevalence of non-determinism in the generated nets does not quite reach 0.6 on average, no matter if the expected prevalence is 0.6 or 0.8. This stems from the random rule selection strategy used by our method. For high values of expected prevalence, the method tries to match the parameter value by randomly selecting among the non-deterministic rules, i.e. between $R2$ and $R3$, which impact the prevalence of the generated net differently. Note that the prevalence may be higher than the observed average for individual nets, but that it converges towards the average for an increasing number of input and output places, since the probability that only rule $R3$ is selected and applied to deterministic places becomes increasingly improbable when construction is done randomly.

7 Conclusions

Synthetic generation of models with user-controllable characteristics helps reducing development time of new analysis and synthesis methods through extensive testing with large sets of inputs, allowing bugs to be discovered. It is also useful for systematic benchmarking of existing methods and tools, e.g. to determine their performance for a particular application. Methods and tools for generation

of a variety of formalisms exist, but not for portnets, a variant of Petri nets, that are useful for modelling interfaces of software components.

This paper presents a method for synthetic generation of random portnets with three user-controlled complexity parameters, the number of input and output places and the prevalence of non-determinism in the skeleton of the net. It also presents the implementation of the proposed method in an open-source tool. The tool outputs the generated net as a PNML file, and as an interface specification in the ComMA language with the same structure as the generated net.

Experiments demonstrate the relation between the complexity parameters in portnets generated by refinement rules. Experimental evaluation also shows that the proposed method always generates portnets with the expected number and input and output ports, and that an expected prevalence of non-determinism of up to around 0.6 can be satisfied on average, although higher prevalence is possible for individual nets. The limit on prevalence of non-determinism stems from the random rule selection and application approach used by the method. Relaxing this limitation at cost of increased computation time, e.g. by formulating the generation algorithm as an optimization problem, is left as future work.

Acknowledgement

The research is carried out as part of the DYNAMICS project under the responsibility of ESI (TNO) with Thales Nederland B.V. as the carrying industrial partner. The DYNAMICS research is supported by the Netherlands Organisation for Applied Scientific Research TNO.

References

1. van der Aalst, W.M., Mooij, A.J., Stahl, C., Wolf, K.: Service interaction: Patterns, formalization, and analysis. In: International School on Formal Methods for the Design of Computer, Communication and Software Systems. pp. 42–88. Springer (2009)
2. Akesson, B., Sleuters, J., Weiss, S., Begeer, R.: Towards continuous evolution through automatic detection and correction of service incompatibilities. ModComp (2019)
3. Bera, D., van Hee, K.M., van der Werf, J.M.: Designing weakly terminating ROS systems. In: International Conference on Application and Theory of Petri Nets and Concurrency. pp. 328–347. Springer (2012)
4. Bera, D., Van Hee, K.M., Van Osch, M., van der Werf, J.M.E., et al.: A component framework where port compatibility implies weak termination. In: PNSE. pp. 152–166 (2011)
5. Billington, J., Christensen, S., Van Hee, K., Kindler, E., Kummer, O., Petrucci, L., Post, R., Stehno, C., Weber, M.: The petri net markup language: concepts, technology, and tools. In: International Conference on Application and Theory of Petri Nets. pp. 483–505. Springer (2003)

6. Cardoso, J.: Process control-flow complexity metric: An empirical validation. In: 2006 IEEE International Conference on Services Computing (SCC'06). pp. 167–173. IEEE (2006)
7. Dick, R.P., Rhodes, D.L., Wolf, W.: TGFF: task graphs for free. In: Proceedings of the Sixth International Workshop on Hardware/Software Code-sign.(CODES/CASHE'98). pp. 97–101. IEEE (1998)
8. Gierds, C., Mooij, A.J., Wolf, K.: Reducing adapter synthesis to controller synthesis. *IEEE Transactions on Services Computing* **5**(1), 72–85 (2010)
9. Hoare, C.A.R.: Communicating sequential processes. *Communications of the ACM* **21**(8), 666–677 (1978)
10. Kindler, E.: A compositional partial order semantics for petri net components. In: International Conference on Application and Theory of Petri Nets. pp. 235–252. Springer (1997)
11. Kurtev, I., Schuts, M., Hooman, J., Swagerman, D.J.: Integrating interface modeling and analysis in an industrial setting. In: MODELSWARD. pp. 345–352 (2017)
12. Lohmann, N., Weinberg, D.: Wendy: A tool to synthesize partners for services. *Fundamenta Informaticae* **113**(3-4), 295–311 (2011)
13. Massuthe, P., Weinberg, D.: Fiona a tool to analyze interacting open nets (2008)
14. McCabe, T.J.: A complexity measure. *IEEE Transactions on software Engineering* (4), 308–320 (1976)
15. Murata, T.: Petri nets: Properties, analysis and applications. *Proceedings of the IEEE* **77**(4), 541–580 (1989)
16. Stuijk, S., Geilen, M., Basten, T.: SDF3: SDF For Free. In: Sixth International Conference on Application of Concurrency to System Design (ACSD'06). pp. 276–278 (2006). <https://doi.org/10.1109/ACSD.2006.23>
17. Van Hee, K.M., Liu, Z.: Generating benchmarks by random stepwise refinement of petri nets. In: Recent Advances in Petri Nets and Concurrency, RAPNeC 2010-Workshops of the 31st International Conference on Application and Theory of Petri Nets and Other Models of Concurrency, PETRI NETS 2010 and the 10th int. conf. ACSD 2010. pp. 403–417. CEUR-WS. org (2012)
18. Yang, N., Aslam, K., Schiffelers, R., Lensink, L., Hendriks, D., Cleophas, L., Serebrenik, A.: Improving model inference in industry by combining active and passive learning. In: 2019 IEEE 26th International Conference on Software Analysis, Evolution and Reengineering (SANER). pp. 253–263. IEEE (2019)

