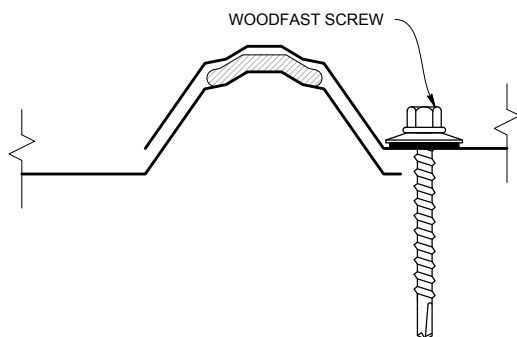


Ultra-Panel's positive side lap keeps panels square and acts as an excellent anti-siphon that prevents leakage at the seams - eliminating the need for side lap tape and stitch screws. Because the side lap is virtually invisible, the Ultra-Panel has a clean, attractive appearance.



KEY FEATURES

- 29 gauge
- ASTM 653 and 792
- 36" roof and wall coverage
- Polycarbonate skylight panels available to match profile
- Panel is available in a wide variety of "Cool" baked on ARMORTECH™ colors
- Easy-to-order standard and custom made trim and accessory packages available for specific project needs
- Color matched neoprene washered screws available
- Custom Cuts 3' to 33'

| 29 GAUGE | 24" | 30" | 36" | 48" | 60" |
|-----------|-----|-----|-----|-----|-----|
| Live Load | 158 | 101 | 70 | 36 | 19 |
| Wind Load | 205 | 131 | 91 | 47 | 25 |

Notes:

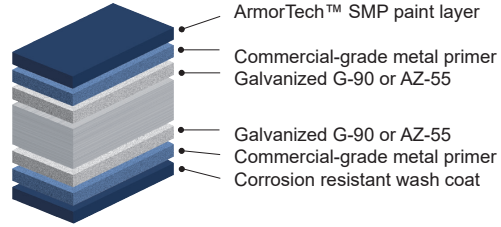
1. Continuous over three spans
2. Structural design analysis per AISI Specification of the Design of Cold-Formed Steel Structural Members, 1968
3. For wind loads, a 1/3 increase in loads is allowed

MATERIAL SPECIFICATIONS

- 29 gauge ARMORTECH™ Painted Steel
G-90 Galvanized or AZ-50 Zincalume®
- 29 gauge bare Zincalume® Plus, AZ-55
(No finish warranty – 25 yr. perforation warranty)
- 29 gauge bare G-90 Galvanized
(No finish warranty – no perforation warranty)

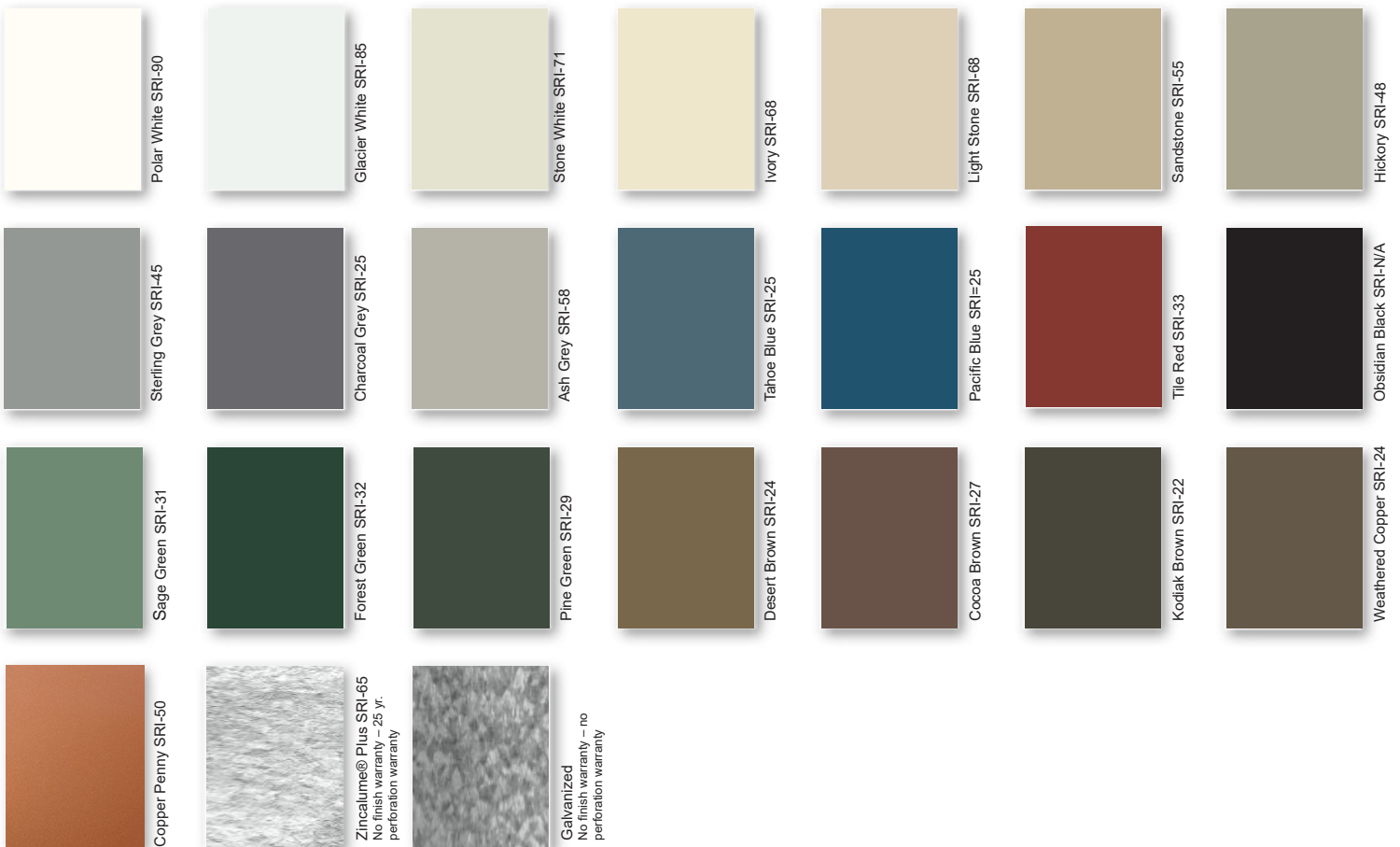
KEY FEATURES

- 21 Standard Colors, Zincalume® Plus and Galvanized
- ArmorTech™ Paint System - excellent in exterior durability
- “Cool” color pigments are specially designed to reflect infrared light, reducing heat gain to dwelling, and conform with ENERGY STAR® criteria
- Superior Quality, two coat SMP resin system at 1 mil. thickness



40-Year Residential Manufacturer's Limited Warranty

STANDARD COOL ARMORTECH™ SMP COLORS



These printed chips provide a close representation of the colors.

Metal samples are available upon request. Coatings are low gloss 10-15% sheen. SRI = Solar Reflective Index. SRI values listed above are in accordance with ASTM E 1980 and are based on actual testing.***Oil canning is not a cause for material rejection***



Rev. Date 08-24