



Treatment and Traction Tables



Introduction

Chattanooga® is a leading manufacturer of rehabilitation equipment for treating musculoskeletal, neurological, and soft tissue disorders. For over seven decades, Chattanooga products have helped contribute to positive treatment outcomes in hospitals, clinics, and home settings worldwide. We strive to lead the rehabilitation industry by example, and through continuous innovation, provide real world solutions for clinicians and their patients.

As one of the leading brands in rehabilitation, Chattanooga is sold in over 80 countries worldwide. Chattanooga dealers, distributors and customers are supported by a seasoned team of personnel who oversee product development, product training and education, order placement, product delivery, after sales service, and provide dedicated sales and marketing support.

Chattanooga is a brand of DJO Global. DJO Global provides solutions for musculoskeletal health, vascular health, and pain management. Our products help prevent injuries, rehabilitate after surgery, injury or from degenerative disease, helping to enable patients to regain or maintain natural motion.

Please read complete instructions for use for all products prior to use.

Visit www.DJGlobal.com/chattanooga



AIRCAST

 chattanooga

 CMF

 Compex

 djosurgical

 DONJOY

 Dr.
Comfort

 PROCARE

Contents

| | | | |
|-----------------------------------|---|--|----|
| Montane™ Alps 5 Section Table | 3 | TTET-200 Electric Hi-Lo Traction Table | 10 |
| Montane™ Atlas 3 Section Table | 4 | TX™ Traction Unit | 11 |
| Montane™ Tatra 2 Section Table | 5 | Traction Accessories | 12 |
| Montane™ Taurus Bobath Table | 6 | Saunders® Cervical Traction | 14 |
| Montane™ Colombia 2 Section Table | 7 | Saunders® Lumbar Traction | 15 |
| ADP 300 Treatment Table | 8 | | |
| ADP 400 Traction Table | 9 | | |



Treatment and Traction Tables

The foundation for any musculoskeletal assessment and treatment is the treatment table. It is also one of the most significant and long standing investments the practitioner will make. The treatment table is one of the foundations of the clinic's style and helps define the atmosphere of the practice. With more than 60 years experience in the rehabilitation arena, Chattanooga remains the practitioner's partner in design and equipment. Chattanooga is proud to present our new and expanded line of treatment tables, offering a broader range of products and price options. From multi-section tables, Bobath treatment tables, to a solid fixed table and offers the practitioner real table solutions. Please read all Instructions For Use (IFU) and all other materials prior to using products.

Montane™ Treatment Tables

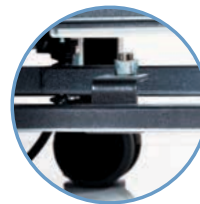


The Pinnacle of Quality, Craftsmanship and Innovation.

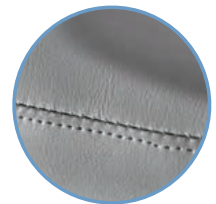


Step up to the Montane difference.

Your table is the core of your practice, and with Montane, you have a trusted partner. Every detail has been designed, engineered and crafted to elegant, exacting standards, delivering a refined experience that helps with patient comfort while providing practitioner access and ease of operation.



Proprietary Hallotronic® technology offers enhanced reliability.



Premium upholstery in tasteful colors. Quality workmanship down to the detailed stitching.



Generous height adjustment range from 19-40 inches.



Steel is laser cut, coated with a high quality powder coating and features extra-strong, precision robotic welds.



Electric Safety Box offers added security; allows practitioner to disable the mechanics of the table.

Montane™ Alps 5 Section Table

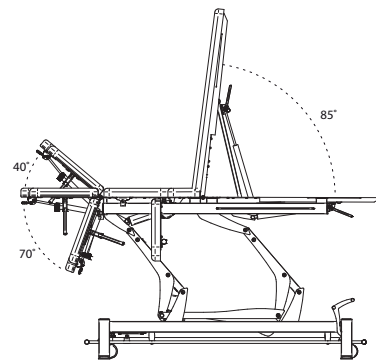
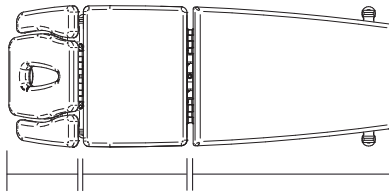


Features

Montane™ Alps 5 Section Table

- 5 section treatment table includes fold down segments in head section
- Electric high/low height adjustment from 19" to 40" (49 to 101 cm) for easy and safe patient transfer and adjustment to the ideal working height for treatment
- Easy access foot switch, accessible from any position around the table 360°, for simple height adjustment
- Features smooth vertical lift with a capacity up to 330 lbs (150 kg)
- Adjustable head support - Positive/Negative inclinations
- Face hole on head section with removable cushion
- Side brackets for stabilizing belts are standard equipment
- Gas springs assist in the adjustment of head and foot sections

Table Articulations



Ordering Information

| Item# | Description |
|-------------------------------|------------------------------|
| Montane™ Alps 5 Section Table | |
| 3551102US | Alps Blue 5 Section |
| 3551106US | Alps Gray 5 Section |
| 3551107US | Alps Graphite Gray 5 Section |

Technical Specifications

| Montane™ Alps 5 Section Table | |
|-------------------------------|---|
| Mains Power: | 120 V / 60 Hz |
| Standby Consumption: | 3.5 W |
| Input: | 120 V / 1.9 A / 60 Hz |
| Weight: | 242 lbs (110 kg) plus 66 lb pallet when shipping |
| Dimensions*: | 79" X 27" x 19-40" (201 x 69 x 49 - 101 cm) |
| Shipping Dimensions*: | 86" x 33" x 30" (219 x 84 x 75 cm) |
| Lifting Capacity: | 330 lbs (150 kg) |
| Electrical Safety Class: | Class II, Type B |
| Safety Tests: | Meets Directive 93 / 42 / EEC, Certified to CAN CSA Standard C22.2 No. 6011-M90x/A2 |

* Dimensions are listed as L x W x H

Color Options

Montane® Alps 5 Section Table

| | | |
|------|------|----------|
| BLUE | GRAY | GRAPHITE |
|------|------|----------|

This color chart is produced within the limitations of lithographic color printing and is intended as a general guide only.

Montane™ Atlas 3 Section Table



Ordering Information

| Item# | Description |
|-------------------------------|-------------------------------|
| Montane Atlas 3 Section Table | |
| 3531102US | Atlas Blue 3 Section |
| 3531106US | Atlas Gray 3 Section |
| 3531107US | Atlas Graphite Gray 3 Section |

Technical Specifications

| Montane Atlas 3 Section Table | |
|--------------------------------------|---|
| Mains Power: | 120 V / 60 Hz |
| Standby Consumption: | 3.5 W |
| Input: | 120 V / 1.9 A / 60 Hz |
| Weight: | 242 lbs (110 kg) plus 66 lb pallet when shipping |
| Dimensions*: | 79" x 27" x 19"-40" (201 x 69 x 49 – 101 cm) |
| Shipping Dimensions*: | 86" x 33" x 30" (219 x 84 x 75 cm) |
| Lifting Capacity: | 330 lbs (150 kg) |
| Electrical Safety Class | Class II, Type B |
| Safety Tests: | Meets Directive 93 / 42 / EEC, Certified to CAN CSA Standard C22.2 No. 6011-M90x/A2 |
| * Dimensions are listed as L x W x H | |

Color Options

| Montane Atlas 3 Section Table | | |
|-------------------------------|------|----------|
| BLUE | GRAY | GRAPHITE |

This color chart is produced within the limitations of lithographic color printing and is intended as a general guide only.

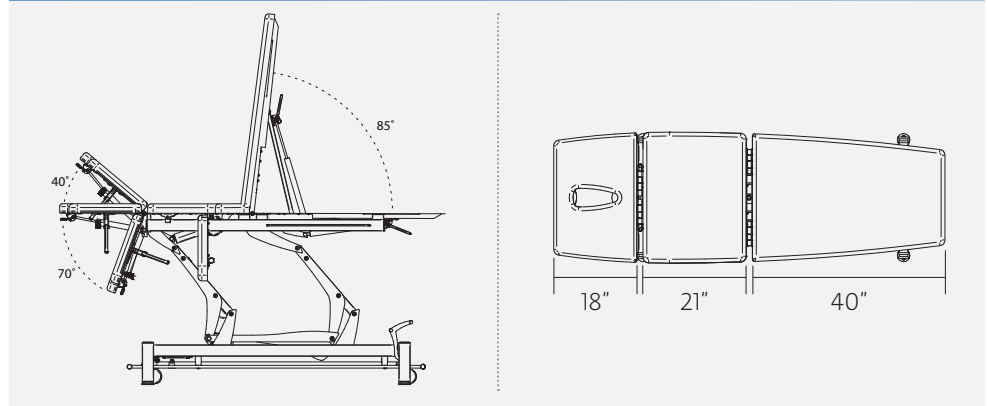


Features

Montane Atlas 3 Section Table

- 3 section treatment table
- Electric high/low height adjustment from 19" to 40" (49 to 101 cm) for easy and safe patient transfer and adjustment to the ideal working height for treatment
- Easy access foot switch, accessible from any position around the table 360°, for simple height adjustment
- Features smooth vertical lift with a capacity up to 330 lbs (150 kg)
- Adjustable head support - positive and negative inclinations
- Face hole on head section with removable cushion
- Side brackets for stabilizing belts are standard equipment
- Gas Springs assist in the adjustment of head and foot sections

Table Articulations



Montane™ Tatras 2 Section Table

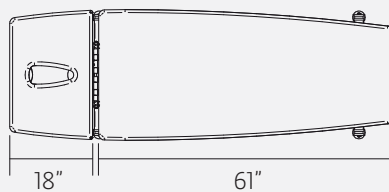
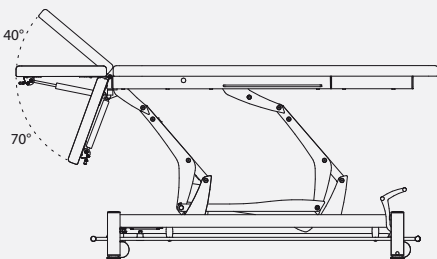


Features

Montane Tatra 2 Section Table

- 18" (46cm) head section
- Electric high/low height adjustment from 19" to 40" (49 to 101 cm) for easy and safe patient transfer and adjustment to the ideal working height for treatment
- Easy access foot switch, accessible from any position around the table 360°, for simple height adjustment
- Features smooth vertical lift with a capacity up to 330 lbs (150 kg)
- Gas springs assist in the adjustment of the head section
- Adjustable head support - positive and negative inclinations
- Face hole on head section with removable cushion
- Side brackets for stabilizing belts are standard equipment

Table Articulations



Ordering Information

| Item# | Description |
|-------------------------------|--------------------------------|
| Montane Tatra 2 Section Table | |
| 3521102US | Tatras Blue 2 Section |
| 3521106US | Tatras Gray 2 Section |
| 3521107US | Tatras Graphite Gray 2 Section |

Technical Specifications

| Montane Tatra 2 Section Table | |
|-------------------------------|---|
| Mains Power: | 120 V / 60 Hz |
| Standby Consumption: | 3.5 W |
| Input: | 120 V / 1.9 A / 60 Hz |
| Weight: | 242 lbs (110 kg) plus 66 lb pallet when shipping |
| Dimensions*: | 78" x 27" x 19"-40" (198 x 69 x 49 - 101 cm) |
| Shipping Dimensions*: | 86" x 33" x 30" (219 x 84 x 75 cm) |
| Lifting Capacity: | 330 lbs (150 kg) |
| Electrical Safety Class | Class II, Type B |
| Safety Tests: | Meets Directive 93 / 42 / EEC, Certified to CAN CSA Standard C22.2 No. 6011-M90x/A2 |

* Dimensions are listed as L x W x H

Color Options

Montane Tatra 2 Section Table

| | | |
|------|------|----------|
| BLUE | GRAY | GRAPHITE |
|------|------|----------|

This color chart is produced within the limitations of lithographic color printing and is intended as a general guide only.

Montane™ Taurus Bobath Table



Ordering Information

| Item# | Description |
|-----------------------------|--------------------------------|
| Montane Taurus Bobath Table | |
| 3581102US | Taurus Blue 2 Section |
| 3581106US | Taurus Gray 2 Section |
| 3581107US | Taurus Graphite Gray 2 Section |

Technical Specifications

| | |
|--------------------------------------|---|
| Montane Taurus Bobath Table | |
| Mains Power: | 120 V / 60 Hz |
| Standby Consumption: | 3.5 W |
| Input: | 120 V / 1.9 A / 60 Hz |
| Weight: | 319 lbs (145 kg) plus 110 lb pallet when shipping |
| Dimensions*: | 79" x 47" x 19"-40" (201 x 119 x 49 - 101 cm) |
| Shipping Dimensions*: | 86" x 53" x 30" (219 x 134 x 75 cm) |
| Lifting Capacity: | 330 lbs (150 kg) |
| Electrical Safety Class | Class II, Type B |
| Safety Tests: | Meets Directive 93 / 42 / EEC, Certified to CAN CSA Standard C22.2 No. 6011-M90x/A2 |
| * Dimensions are listed as L x W x H | |

Color Options

Montane Taurus Bobath Table

| | | |
|------|------|----------|
| BLUE | GRAY | GRAPHITE |
|------|------|----------|

This color chart is produced within the limitations of lithographic color printing and is intended as a general guide only.

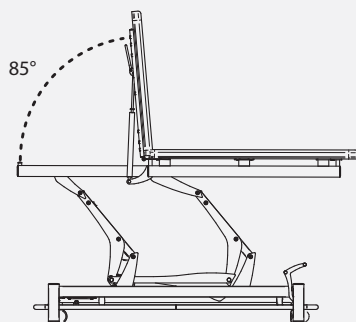


Features

Montane Taurus Bobath Table

- 2 section Bobath treatment table
- Extra wide patient surface and undercarriage
- Electric high/low height adjustment from 19" to 40" (49 to 101 cm) for easy and safe patient transfer and adjustment to the ideal working height for treatment
- Easy access foot switch, accessible from any position around the table 360°, for simple height adjustment
- Features smooth vertical lift with a capacity up to 330 lbs (150 kg)
- 2 section head support adjusts to 85° positive inclination for treatment
- Gas springs assist in the adjustment of head section

Table Articulations



Montane™ Colombia 2 Section Table



Shown with optional paper roll holder

Features

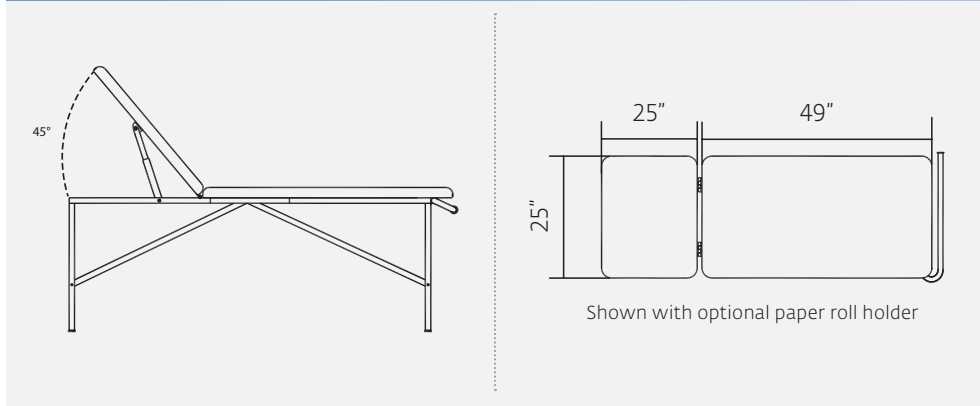
Montane Colombia 2 Section Table

- 2 section fixed table for examination and treatment
- Head section manually adjusts up to a 45° positive inclination
- Solid high-quality fixed table constructed to ensure maximum stability
- Paper roll holder (optional equipment)

Accessories



Table Articulations



| Ordering Information | |
|----------------------------------|--|
| Item# | Description |
| Montane Colombia 2 Section Table | |
| 3595100 | Colombia Cream 2 Section Fixed Table |
| 3595101 | Colombia Beige 2 Section Fixed Table |
| 3595108 | Colombia Black 2 Section Fixed Table |
| Optional Accessories | |
| A 371107 | Paper Roll Holder - Fixed Height Tables |
| A 371108 | Paper Roll Holder- 2, 3, and 5 Section Electric Tables |
| B 371102 | Manual Traction Supports - Blue |
| B 371106 | Manual Traction Supports - Gray |
| B 371107 | Manual Traction Supports - Graphite |
| Replacement Part | |
| C 15-0127 | Magnetic Lock Key |

| Technical Specifications | |
|--|------------------------------------|
| Montane Colombia 2 Section Table | |
| Head Angle Adjustment: | 0-45° |
| Maximum Weight Capacity: | 330 lbs (150 kg) |
| Weight: | 68 lbs (31 kg) |
| Dimensions*: | 74" x 25" (189 x 64 cm) |
| Shipping Dimensions*: | 75" x 26" x 10" (190 x 65 x 15 cm) |
| Capacity: | 150 kg (330 lbs) |
| Paper Roll Holder for use with paper of a maximum width of 23" (60 cm) | |
| * Dimensions are listed as L x W x H | |

| Color Options | | |
|----------------------------------|-------|-------|
| Montane Colombia 2 Section Table | | |
| CREAM | BEIGE | BLACK |

This color chart is produced within the limitations of lithographic color printing and is intended as a general guide only.

ADP 300 Treatment Table



Ordering Information

Item# Description

ADP 300 Treatment Table 28" x 75" (71 cm x 191 cm)

ADP300001I2 Imperial Blue

ADP300002I2 Black

ADP300004I2 Burgundy

ADP300007I2 Dove

ADP300033I2 Midnight

ADP300061I2 Stone Blue

Switch Style (Suffix Table Item # with below Code)

F Foot Switch

FC Foot Switch & Retractable Castors

H Hand Switch

HC Hand Switch & Retractable Castors

Optional Accessories

60000 Table Paper Holder 20"
(51 cm) Wide (TRT & ADP)

Technical Specifications

ADP 400 Traction Table

Mains Power: 120 V, 60 Hz

Current: 15 A

Power Input: 200 W

Weight: 140 lbs (64 kg),

Shipping Weight: 285 lbs (129 kg)

Lifting capacity: 400 lbs (181 kg)

Dimensions: 75"L x 28"W x 17.5" to 38"H
(191 cm x 71 cm x 45 cm to 97 cm)Electrical
Safety Class: Class I, Type B

Color Options

ADP 300 Treatment Table

| | | |
|-------|---------------|---------------|
| BLACK | BURGUNDY | MIDNIGHT GRAY |
| DOVE | IMPERIAL BLUE | STONE BLUE |

This color chart is produced within the limitations of lithographic color printing and is intended as a general guide only.



Features

ADP 300 Treatment Tables

ADP 300 Treatment Tables practical design helps practitioners do their best work.

- Two (2) fully adjustable sections:
 - Head section: 30° to -90° (one finger control)
 - Foot section: 0° to 75°
- 400 lb (181 kg) maximum lift capacity
- Standard hand control for elevation
- Adjustable height range between 17½" to 38" (45 cm to 97 cm)
- Integrated rear casters
- Optional foot control
- Optional retractable front caster
- One-year warranty

Table Options

- Hand Switch or Foot Switch
- Retractable 3rd (front) Casters

ADDITIONAL ORDERING INFORMATION

Important: When placing an order, be sure to include the switch style to your table selection.

Example: To order a ADP300 Treatment Table your Item# will suffix the selected code from the Switch Style List in the ordering information listed on this page.

ADP300002I2E = ADP 300 TREATMENT TABLE, BLACK, WITH FOOT SWITCH

For downloadable forms go to www.DJGlobal.com/chattanooga and click on the Service link.

NOTE: SEE PRICE LIST FOR FULL LIST OF PRODUCTS.

ADP 400 Traction Table



INCLUDED WITH THE TX ADP 400 TRACTION ACCESSORY PACKAGE



4759
TX Traction Unit



7050
TX-1 Flexion Stool



1410
Deluxe Universal
Belt System



7040
Saunders Cervical
Traction Device

Features

ADP 400 Traction Table

- Four sections
- Friction-free gliding lumbar section
- Turret mounted traction pedestal
- Head and foot sections incline up to 90°
- Head section lowers to 25°
- 400 lb (181 kg) lifting capacity
- Standard hand control
- Adjustable height range between 21.5" to 41.5" (55 cm to 105 cm)
- Optional foot control
- Optional retractable caster
- Available in six colors
- Traction unit sold separately
- One-year warranty

Table Options

- Hand Switch or Foot Switch
- Retractable 3rd (front) Casters

ADDITIONAL ORDERING INFORMATION

Important: When placing an order, be sure to include the switch style to your table selection.

Example: To order a ADP300 Treatment Table your Item# will suffix the selected code from the Switch Style List in the ordering information listed on this page.

ADP40000212E = ADP 400 TRACTION TABLE, BLACK, WITH FOOT SWITCH

For downloadable forms go to www.DJGlobal.com/chattanooga and click on the Service link.

NOTE: SEE PRICE LIST FOR FULL LIST OF PRODUCTS.

Ordering Information

| Item# | Description |
|------------------------|---------------|
| ADP 400 Traction Table | |
| ADP40000112 | Imperial Blue |
| ADP40000212 | Black |
| ADP40000412 | Burgundy |
| ADP40000712 | Dove |
| ADP40003312 | Midnight Gray |
| ADP40006112 | Stone Blue |

Switch Style (Suffix Table Item # with below Code)

| | |
|----|-----------------------------------|
| F | Foot Switch |
| FC | Foot Switch & Retractable Castors |
| H | Hand Switch |
| HC | Hand Switch & Retractable Castors |

TX ADP 400 Traction Accessory Package

| | |
|--------|--------------------|
| 6874-1 | Imperial Blue |
| 6874-2 | Black |
| 6874-3 | Burgundy |
| 6874-4 | Dove |
| 6874-5 | Midnight Gray |
| 6874-6 | Stone Blue |
| 7050 | TX-1 Flexion Stool |

Optional Accessories

| | |
|-------|---|
| 60000 | Table Paper Holder 20" (51 cm) Wide (TRT & ADP) |
|-------|---|

Technical Specifications

| | |
|------------------------|--|
| ADP 400 Traction Table | |
| Mains Power: | 120 V, 50 Hz |
| Current: | 1.6 A |
| Power Input: | 200 W |
| Weight: | 200 lbs (91 kg) |
| Shipping Weight: | 320 lbs (145 kg) |
| Dimensions: | 77"L x 27"W x 21.5" to 41.5"H (196cm x 69cm x 55cm to 105cm) |
| Electrical Class: | Class 1, Type B |

Color Options

| | | |
|------------------------|---------------|---------------|
| ADP 400 Traction Table | | |
| BLACK | BURGUNDY | MIDNIGHT GRAY |
| DOVE | IMPERIAL BLUE | STONE BLUE |

This color chart is produced within the limitations of lithographic color printing and is intended as a general guide only.

Ordering Information

| Item# | Description |
|--|---------------|
| TTET-200 Electric Hi-Lo Traction Table | |
| 68700012 | Imperial Blue |
| 687000212 | Black |
| 687000412 | Burgundy |
| 687000712 | Dove |
| 687003312 | Midnight Gray |
| 687006112 | Stone Blue |

Switch Style (Suffix Table Item # with below Code)

| | |
|----|-----------------------------------|
| F | Foot Switch |
| FC | Foot Switch & Retractable Castors |
| H | Hand Switch |
| HC | Hand Switch & Retractable Castors |

TTET-200 Traction Accessory Package

| | |
|--------|---------------|
| 6876-1 | Imperial Blue |
| 6876-2 | Black |
| 6876-3 | Burgundy |
| 6876-4 | Dove |
| 6876-5 | Midnight Gray |
| 6876-6 | Stone Blue |

Optional Accessories

| | |
|-------|---|
| 60000 | Table Paper Holder 20" (51 cm) Wide (TRT & ADP) |
|-------|---|

Technical Specifications

| | |
|--|--|
| TTET-200 Electric Hi-Lo Traction Table | |
| Mains Power: | 120 V, 50 Hz |
| Current: | 1.6 A |
| Power Input: | 200 W |
| Weight: | 230 lbs (104.5 kg) |
| Shipping Weight: | 230 lbs (134 kg) |
| Dimensions: | 77"L x 28"W x 19" to 38"H (196 cm x 71 cm x 48 cm to 97 cm) |
| Electrical Class: | Class 1, Type B |

Color Options

| | | |
|--|---------------|---------------|
| TTET-200 Electric Hi-Lo Traction Table | | |
| BLACK | BURGUNDY | MIDNIGHT GRAY |
| DOVE | IMPERIAL BLUE | STONE BLUE |

This color chart is produced within the limitations of lithographic color printing and is intended as a general guide only.

TTET-200 Electric Hi-Lo Traction Table



INCLUDED WITH THE TTET-200 TRACTION ACCESSORY PACKAGE

| | | | |
|--|---|--|--|
|  |  |  |  |
| 4759 TX Traction Unit | 7050 TX-1 Flexion Stool | 1410 Deluxe Universal Belt System | 7040 Saunders Cervical Traction Device |

Features

TTET-200 Electric Hi-Lo Traction Table

- Two sections
- Friction-free gliding lumbar section
- Traction unit pedestal
- 400 lb (181 kg) lifting capacity
- Adjustable height range between 19" to 38" (48 cm to 97 cm)
- Standard hand control
- Optional foot control
- Available in six colors
- Traction unit sold separately
- One-year warranty

Table Options

- Hand Switch or Foot Switch
- Retractable 3rd (front) Casters

ADDITIONAL ORDERING INFORMATION

Important: When placing an order, be sure to include the switch style to your table selection.

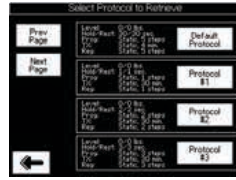
Example: To order a TTET-200 Traction Table your Item# will suffix the selected code from the Switch Style List in the ordering information listed on this page.

687000212E = TTET-200 TRACTION TABLE, BLACK, WITH FOOT SWITCH

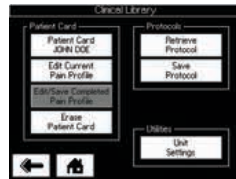
For downloadable forms go to www.DJGlobal.com/chattanooga and click on the Service link.

NOTE: SEE PRICE LIST FOR FULL LIST OF PRODUCTS.

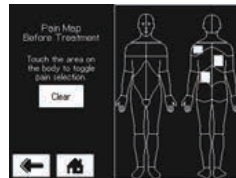
TX™ Traction Unit



User Protocols



Clinical Library



Pain Map

Features

TX™ Traction

- Easy to operate
- 270° pivoting user interface
- Digital monochromatic touch screen interface
- Patient Data Cards record up to 14 treatment sessions
- Store up to 10 user defined protocols
- Intermittent, static and cyclic traction
- Progressive and regressive steps
- User-defined hold, rest and treatment times
- Traction tension parameters: 0-200 lbs
- Built-in safety features:
 - Patient Interrupt Switch
 - Cervical maximum poundage warning
 - Audible signal at the end of treatment and if Patient Interrupt Switch activates
- Two-year warranty

Ordering Information

| Item# | Description |
|-------|-------------|
|-------|-------------|

TX™ Traction Unit

4759 TX Traction Unit

Standard Accessories

48082 Patient Interrupt Switch

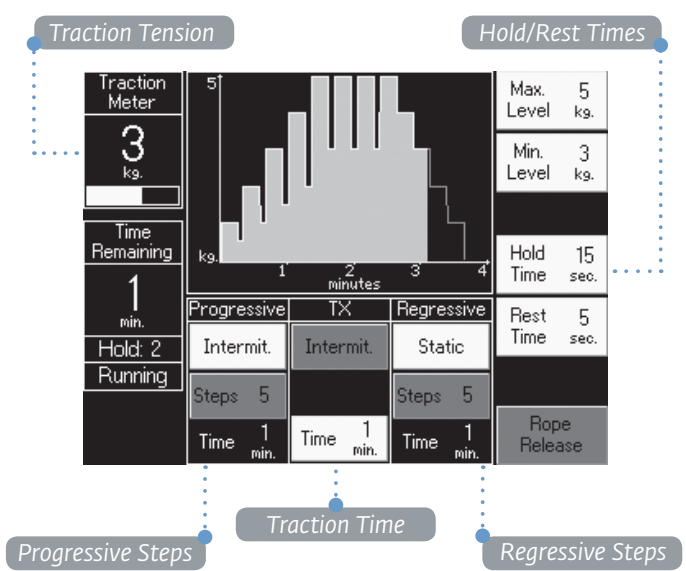
27465 Patient Data Cards (Pack of 5 cards)

Traction Tension Parameters

| Parameters | Min - Max | Increments |
|-------------------|--|--------------------|
| Traction Period | 1 - 99 Minutes | 1 Minute |
| Hold Period | 0 - 99 Seconds | 1 Second |
| Rest Period | 0 - 99 Seconds | 1 Second |
| Traction Tension | 0-200 lb (0 kg/0 N) - (90kg/890 N) | 1 lb (1 kg/5 N) |
| Progressive Steps | 1 Step - 9 Steps | 1 Step |
| Regressive Steps | 1 Step - 9 Steps | 1 Step |

Technical Specifications

| TTET-200 Electric Hi-Lo Traction Table | |
|--|--|
| Mains Power: | 100 - 240 V, 50/60 Hz |
| Power Consumption: | 75 V |
| Current Consumption: | 3.2 Amps Max |
| Weight: | 30 lbs (14 kg) |
| Dimensions: | 175"L x 9.5"W x 17.5"H (45 cm x 24 cm x 45 cm) |
| Safety Tests: | IEC/UL/EN: 60661-1, 60601-1-2; CAN C22.2 No. 601.1-M90 w/A2; cETLus Listed |



Ordering Information

| Item# | Description |
|-------------------------|---------------------------|
| A Mobile Traction Stand | |
| 3600 | Mobile Traction Stand |
| B Pron Pillo® | |
| 4206 | Pron Pillo |
| C TX Pillow and Cover | |
| 1301 | TX Pillow (without cover) |
| D Horseshoe Pillow | |
| 83519 | Horseshoe Pillow |
| E Traction Bolster Set | |
| 42901 | Traction Bolster Set |

A Mobile Traction Stand

3600 Mobile Traction Stand

B Pron Pillo®

4206 Pron Pillo

C TX Pillow and Cover

1301 TX Pillow (without cover)

D Horseshoe Pillow

83519 Horseshoe Pillow

E Traction Bolster Set

42901 Traction Bolster Set

Technical Specifications

Mobile Traction Stand

Length: 34" (86 cm)

Width: 27" - 40" (69 cm - 102 cm)

Height: 26" - 39.5" (66 cm - 100 cm)

Weight: 45 lb (20 kg)

Mounting Board: 12.75" x 10.5" (32 cm x 27 cm)

Traction Accessories



Features

A Mobile Traction Stand

- Fully adjustable
- Allows the TX Traction device to be used with most tables
- Traction unit sold separately

B Pron Pillo®

Elevates the head and shoulders for added comfort.

C TX Pillow™

- Cervical pillow helps keep neck aligned naturally during traction or sleep
- Helps reduce strain on neck muscles

D Horseshoe Pillow

- Provides support for head and neck

E Traction Bolster Set

- Includes two knee bolsters and one ankle bolster
- Lightweight, eliminating the need for flexion stool
- Provides independent leg support

Traction Accessories



Features

Saunders® Cervical Traction

This clinical unit pulls at the base of the occiput for cervical traction. It adapts easily to all Chattanooga traction devices. One size fits most patients. One-year warranty.

Note: Clevis included to mount to traction device.



Ordering Information

| Item# | Description |
|-------------------------------------|---|
| Saunders® Cervical Traction | |
| 7040 | Saunders Cervical Traction Device: includes clevis for attachment to TX Traction Device |
| TXS-1 Flexion Stool | |
| 7050001 | Imperial Blue |
| 7050002 | Black |
| 7050004 | Burgundy |
| 7050007 | Dove |
| 7050033 | Midnight Gray |
| 7050061 | Stone Blue |
| Deluxe Universal Belt System | |
| 1410 | Deluxe Universal Belt System |

Features

TXS-1 Flexion Stool

Adjustable height from 13" to 20" (33 cm to 51 cm) feature allows you to place the patient's lumbar spine into neutral or flexed position for increased comfort. 90-day warranty.

| Color Options | | |
|--|---------------|---------------|
| TTET-200 Electric Hi-Lo Traction Table | | |
| BLACK | BURGUNDY | MIDNIGHT GRAY |
| DOVE | IMPERIAL BLUE | STONE BLUE |

This color chart is produced within the limitations of lithographic color printing and is intended as a general guide only.



Upholstery can be color-coordinated to match traction table.

Features

Deluxe Universal Belt System

- Designed with simplicity and quick setup in mind
- Universal fit wrap design with hook and loop closures
- Non-slip design allows for evenly distributed anterior/posterior pull force
- Allows you to wrap, set and start treatment in as little as 2 minutes
- 90-day warranty.



Ordering Information

| Item# | Description |
|-----------------------------|----------------------------|
| Saunders® Cervical Traction | |
| 199594 | Saunders Cervical Traction |
| Saunders® Lumbar Traction | |
| 199603 | Saunders Lumbar Traction |

Saunders® Cervical Traction



Features

- Traction forces are directed to the back of the head to help alleviate compression of the TMJ
- Easy-to-read pressure gauge provides control of the force
- Blow-off valve limits the amount of force that can be applied
- A cost effective option to continuous clinical care
- Design replicates clinical traction and promotes consistency of treatment
- Positioning alternatives allow varying treatment options for the clinician
- Patented pneumatic system ensures reliable force accuracy and leak-free performance
- Easy to use
- A portable treatment solution
- Patented self-adjusting neck wedges help to ensure a perfect fit
- Patented pump design incorporates a simple "click in place" mechanism
- Quick and simple patient set-up enables home traction without assistance



Saunders® Lumbar Traction



Features

- Friction-free surface ensures smooth motion
- Easy-to-read pressure gauge provides control of the force
- Blow-off valve limits the amount of force that can be applied
- A cost effective option to continuous clinical care
- Split table design replicates clinical traction and promotes consistency of treatment
- Actively moving treatment surface ensures application of traction
- Patented pneumatic system ensures reliable force accuracy and leak-free performance
- Easy to use
- A portable treatment solution
- Comes complete — no assembly required
- Non-slip harnesses incorporate belt-organizers for quick set-up
- Patented pump design incorporates a simple "click in place" mechanism



Ordering Information

| Item# | Description |
|-------|-------------|
|-------|-------------|

| | |
|-----------------------------|--|
| Saunders® Cervical Traction | |
|-----------------------------|--|

| | |
|--------|----------------------------|
| 199594 | Saunders Cervical Traction |
|--------|----------------------------|

| | |
|---------------------------|--|
| Saunders® Lumbar Traction | |
|---------------------------|--|

| | |
|--------|--------------------------|
| 199603 | Saunders Lumbar Traction |
|--------|--------------------------|



DJO, LLC | A DJO Global Company
T 800.592.7329 **D** 760.727.1280 **F** 800.242.8329
1430 Decision Street | Vista, CA 92081-8553 | U.S.A.
DJOglobal.com/chattanooga