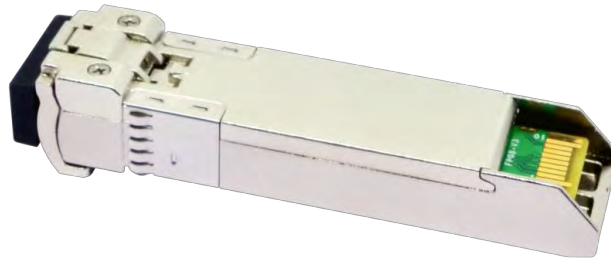


# Product Specification Sheet

## MP-S851X3-NCLM

RoHS Compliant 10Gb/s SFP+ 850nm 300m Optical Transceiver



### Product Features

- Supports up to 11.3Gb/s bit rates
- Duplex LC connector
- Hot pluggable SFP+ footprint
- 850nm VCSEL transmitter, PIN photo-detector
- Up to 300m on 50/125um MMF(2000MHZ.KM)
- Low power consumption, < 1W
- Digital Diagnostic Monitor Interface
- Optical interface compliant to IEEE 802.3ae
- Electrical interface compliant to SFF-8431
- Operating case temperature:  
Industrial: 0 to 70 °C

### Applications

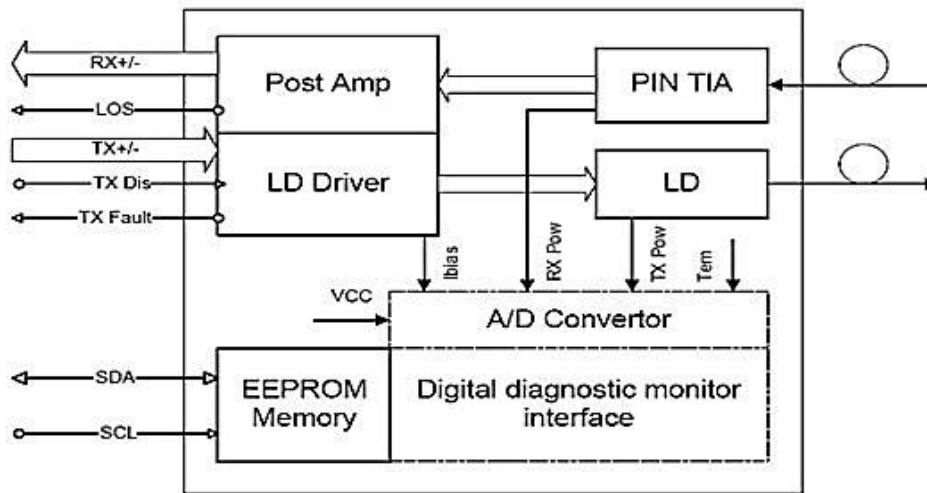
- 10G Base-SR/SW at 10.3125G
- 10G Fiber Channel
- Other optical links

### Product Descriptions

MP-S851X3-NCLM Enhanced Small Form Factor Pluggable SFP+ transceivers are designed for use in 10-Gigabit Ethernet over Multi-Mode fiber. They are compliant with SFF-8431, SFF-8432 and IEEE 802.3ae 10GBASE-SR/SW.

The transceiver designs are optimized for high performance and cost effective to supply customers the best solutions for telecommunication and datacom.

## Functional Diagram



## Absolute Maximum Ratings

Parameter	Symbol	Min.	Max.	Unit	Note
Supply Voltage	V <sub>cc</sub>	-0.5	4.0	V	
Storage Temperature	T <sub>s</sub>	-40	85	°C	
Relative Humidity	RH	0	85	%	

**Note:** Stress in excess of the maximum absolute ratings can cause permanent damage to the transceiver.

## General Operating Characteristics

Parameter	Symbol	Min.	Typ	Max.	Unit	Note
Data Rate	DR	9.953	10.3125	11.3	Gb/s	
Supply Voltage	V <sub>cc</sub>	3.13	3.3	3.47	V	
Supply Current	I <sub>ccs</sub>			300	mA	
	T <sub>i</sub>	-40		85		

## Electrical Characteristics (V<sub>cc</sub> = 3.13 to 3.47 V)

Parameter	Symbol	Min.	Typ	Max.	Unit	Note
<b>Transmitter</b>						
Differential data input swing	V <sub>INPP</sub>	180		700	mV <sub>pp</sub>	1
Transmit Disable Voltage	V <sub>D</sub>	V <sub>cc</sub> -0.8		V <sub>cc</sub>	V	

Transmit Enable Voltage	V <sub>EN</sub>	V <sub>ee</sub>		V <sub>ee</sub> +0.8		
Input differential impedance	R <sub>in</sub>		100		Ω	
<b>Receiver</b>						
Differential data output swing	V <sub>out,pp</sub>	300		850	mV <sub>pp</sub>	2
Output rise time and fall time	T <sub>r</sub> , T <sub>f</sub>	28			P <sub>s</sub>	3
LOS asserted	V <sub>LOS_F</sub>	2		V <sub>cc_HOST</sub>	V	4
LOS de-asserted	V <sub>LOS_N</sub>	V <sub>ee</sub>		V <sub>ee</sub> +0.8	V	4

Note:

1. Connected directly to TX data input pins. AC coupling from pins into laser driver IC.
2. Into 100Ω differential termination.
3. 20 – 80%. Measured with Module Compliance Test Board and OMA test pattern. Use of four 1's and four 0's sequence in the PRBS 9 is an acceptable alternative.
4. LOS is an open collector output. Should be pulled up with 4.7kΩ – 10kΩ on the host board. Normal operation is logic 0; loss of signal is logic 1.

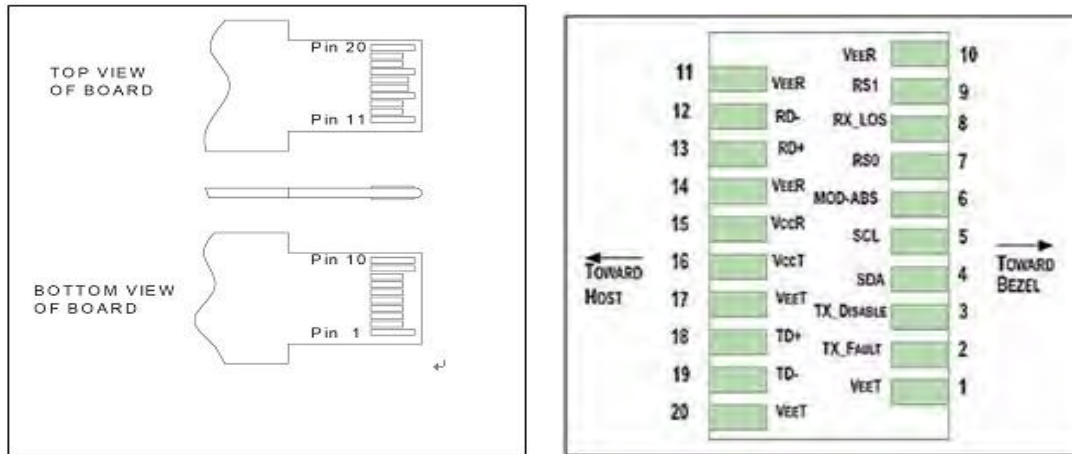
## Optical Characteristics (V<sub>CC</sub> = 3.13 to 3.47 V)

Parameter	Symbol	Min.	Typ	Max.	Unit	Note
<b>Transmitter</b>						
Operating Wavelength	λ	810	850	880	nm	
Ave. output power (Enabled)	P <sub>AVE</sub>	-6		0	dBm	1
Extinction Ratio	ER	3.5			dB	
RMS spectral width	Δλ			0.85	nm	
Rise/Fall time (20%~80%)	T <sub>r</sub> /T <sub>f</sub>			50	ps	2
Dispersion penalty	T <sub>DP</sub>			2	dB	
Output Optical Eye	Compliant with IEEE 0802.3ae					
<b>Receiver</b>						
Operating Wavelength		840	850	860	nm	
Receiver Sensitivity (ER=4.5)	P <sub>SEN1</sub>			-11.1	dBm	3
Overload	P <sub>AVE</sub>			0.5	dBm	
LOS Assert	P <sub>a</sub>	-30			dBm	
LOS De-assert	P <sub>d</sub>			-12	dBm	
LOS Hysteresis	P <sub>d</sub> -P <sub>a</sub>	0.5			dB	

Notes:

1. Measured at 10.3125b/s with PRBS 2<sup>31-1</sup> NRZ test pattern.
2. 20%~80%
3. Under the ER worst case=4.5@ 10.3125 Gb/s with PRBS 2<sup>31-1</sup> NRZ test pattern for BER < 1x10<sup>-12</sup>

## Pin Definition and Functions



Pin	Symbol	Name/Description
1	VEET [1]	Transmitter Ground
2	Tx_FAULT [2]	Transmitter Fault
3	Tx_DIS [3]	Transmitter Disable. Laser output disabled on high or open
4	SDA [2]	2-wire Serial Interface Data Line
5	SCL [2]	2-wire Serial Interface Clock Line
6	MOD_ABS [4]	Module Absent. Grounded within the module
7	RS0 [5]	Rate Select 0
8	RX_LOS [2]	Loss of Signal indication. Logic 0 indicates normal operation
9	RS1 [5]	Rate Select 1
10	VEER [1]	Receiver Ground
11	VEER [1]	Receiver Ground
12	RD-	Receiver Inverted DATA out. AC Coupled
13	RD+	Receiver DATA out. AC Coupled
14	VEER [1]	Receiver Ground
15	VCCR	Receiver Power Supply
16	VCCT	Transmitter Power Supply
17	VEET [1]	Transmitter Ground
18	TD+	Transmitter DATA in. AC Coupled
19	TD-	Transmitter Inverted DATA in. AC Coupled
20	VEET [1]	Transmitter Ground

### Notes:

1. Module circuit ground is isolated from module chassis ground within the module.
2. should be pulled up with 4.7k – 10k ohms on host board to a voltage between 3.15V and 3.6V.
3. Tx\_Disable is an input contact with a 4.7 kΩ to 10 kΩ pullup to VccT inside the module.

4. Mod\_ABS is connected to VeeT or VeeR in the SFP+ module. The host may pull this contact up to Vcc\_Host with a resistor in the range 4.7 kΩ to 10 kΩ. Mod\_ABS is asserted “High” when the SFP+ module is physically absent from a host slot.
5. RS0 and RS1 are module inputs and are pulled low to VeeT with > 30 kΩ resistors in the module.

## Serial Interface for ID and Digital Diagnostic Monitor

The MP-S851X3-NCLM transceiver support the 2-wire serial communication protocol as defined in the SFP+ MSA. The standard SFP+ serial ID provides access to identification information that describes the transceiver’s capabilities, standard interfaces, manufacturer, and other information. Additionally, This SFP+ transceivers provide an enhanced digital diagnostic monitoring interface, which allows real-time access to device operating parameters such as transceiver temperature, laser bias current, transmitted optical power, received optical power and transceiver supply voltage. It also defines a sophisticated system of alarm and warning flags, which alerts end-users when particular operating parameters are outside of a factory set normal range.

The SFP MSA defines a 256-byte memory map in EEPROM that is accessible over a 2-wire serial interface at the 8 bit address 1010000X(A0h), so the originally monitoring interface makes use of the 8 bit address(A2h), so the originally defined serial ID memory map remains unchanged. The structure of the memory map is shown in Table1.

2 wire address 1010000X (A0h)		2 wire address 1010001X (A2h)	
Address	Information	Address	Information
0-95	Serial ID Defined by SFP MSA (96 bytes)	0-55	Alarm and Warning Thresholds (56 bytes)
96-127	Vendor Specific (32 bytes)	56-95	Calibration Constants (40 bytes)
128-255	Reserved,SFF8079 (128 bytes)	96-119	Real Time Diagnostic Interface (24 bytes)
		120-127	Vender Specific (8 bytes)
		128-247	User Writable EEPROM (120 bytes)
		248-255	Vender Specific (8 bytes)

Table 1. Digital Diagnostic Memory Map (Specific Data Field Descriptions)

## Digital Diagnostic Specifications

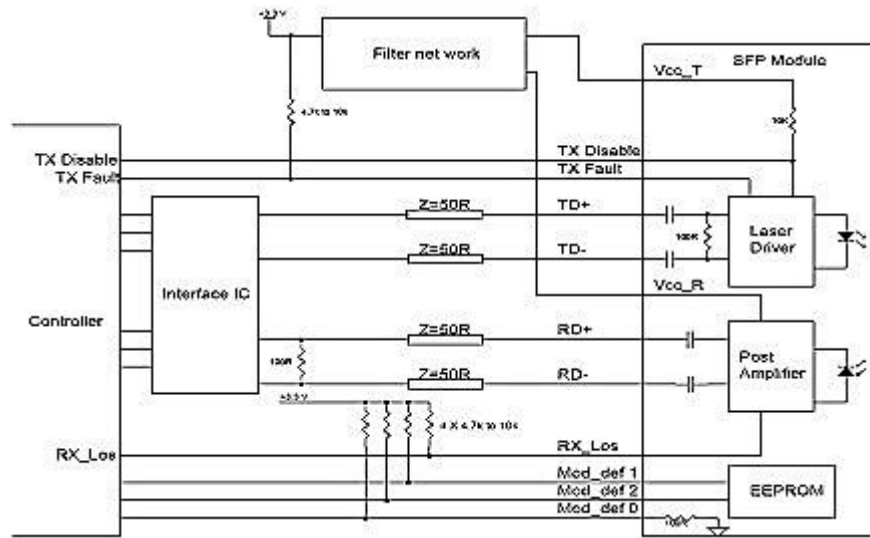
The MP-S851X3-NCLM transceivers can be used in host systems that require either internally or externally calibrated digital diagnostics.

Parameter	Symbol	Units	Min.	Max.	Accuracy	Note
<b>Transceiver temperature</b>	DTemp-E	°C	-45	+90	±5°C	1
<b>Transceiver supply voltage</b>	DVoltage	V	2.8	4.0	±3%	
<b>Transmitter bias current</b>	DBias	mA	0	80	±10%	2
<b>Transmitter output power</b>	DTx-Power	dBm	-7	+1	±2dB	
<b>Receiver average input power</b>	DRx-Power	dBm	-13	0	±2dB	

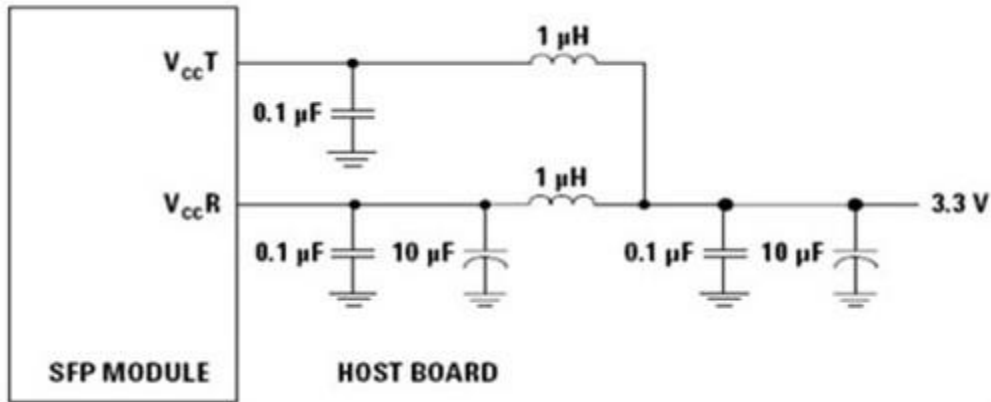
Notes:

- Internally measured
- The accuracy of the Tx bias current is 10% of the actual current from the laser driver to the laser

# Typical Interface Circuit



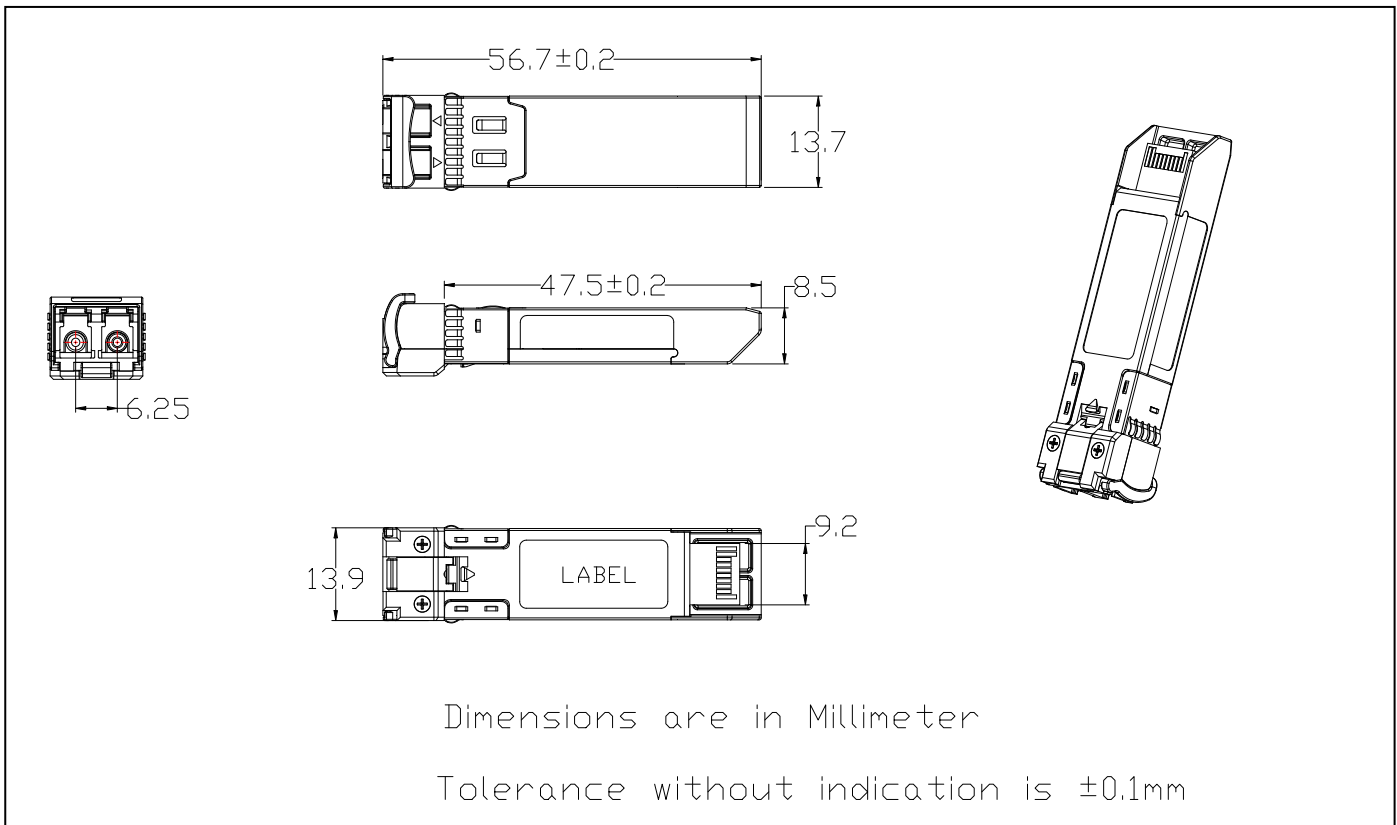
## Recommended power supply filter



Note:

Inductors with DC resistance of less than 1Ω should be used in order to maintain the required voltage at the SFP input pin with 3.3V supply voltage. When the recommended supply filtering network is used, hot plugging of the SFP transceiver module will result in an inrush current of no more than 30 mA greater than the steady state value

## Package Dimensions



## Ordering Information

Part Number	Description
MP-S851X3-NCLM	SFP+, up to 10.3125Gb/s, 850nm, 300m, 0~70°C, with Digital Diagnostic Monitor