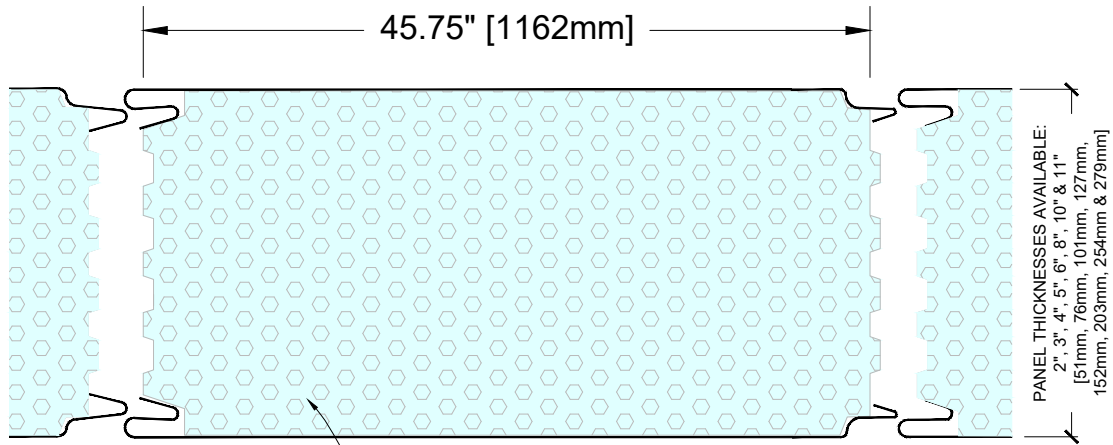


KOROLITE INSULATED METAL PANELS CUT TO CUSTOM LENGTHS PER APPROVED DESIGNS. PANELS' FACINGS ARE PRE-PAINTED, AZ50 ALUMINUM-ZINC COATED OR G90 GALVANIZED STEEL IN 26 GA. [0.55mm] BONDED TO THE CLOSED CELL EPS INSULATION CORE WITH A SPECIALLY FORMULATED ADHESIVE.

1 INSULATED METAL PANEL

OPTION 1



KOROLITE INSULATED METAL PANELS CUT TO CUSTOM LENGTHS PER APPROVED DESIGNS. PANELS' FACINGS ARE PRE-PAINTED, AZ50 ALUMINUM-ZINC COATED OR G90 GALVANIZED STEEL IN 26 GA. [0.55mm] OR 24 GA. [0.70mm] BONDED TO THE CLOSED CELL EPS INSULATION CORE WITH A SPECIALLY FORMULATED ADHESIVE.

2 INSULATED METAL PANEL

OPTION 2



Airfoam Industries Ltd.
 19402 56 Ave, Surrey, BC V3S 6K4
 Phone: (604) 590-2876
 Fax: (604) 590-8412
 www.airfoam.com

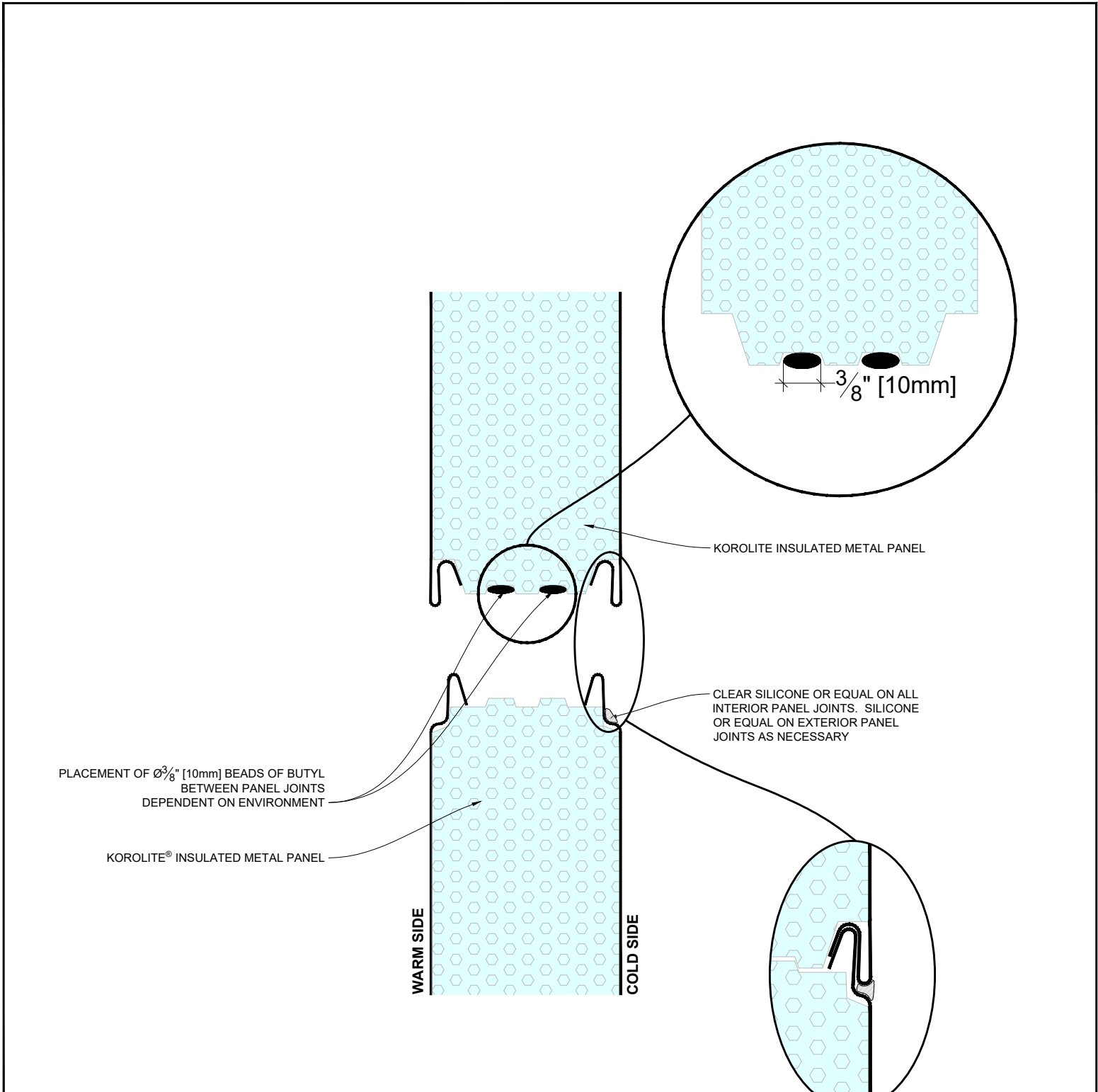
KOROLITE® INSULATED METAL PANELS

Standard Details

PANEL PROFILES

DATE PUBLISHED	2021-06-08	DESIGNED BY	DC
APPROVED BY	ZP	APPROVED DATE	2021-06-09
DRAWN BY	NTS	SCALE	8.5" x 11"
REVISIONS	01 YYYY-MM-DD Revisions	02 YYYY-MM-DD Revisions	03 YYYY-MM-DD Revisions
PROJECT NO.	K101	PROJECT TITLE	KIMP Typical Details
			K101

© Copyright 2021 Airfoam Industries Ltd.
 IT IS THE RESPONSIBILITY OF THE USER TO COMPLY WITH ALL APPLICABLE REGULATIONS AND BUILDING CODE REQUIREMENTS CONCERNING THE USE OF THESE PRODUCTS. IT IS FURTHER THE RESPONSIBILITY OF THE USER TO RESEARCH AND UNDERSTAND SAFE METHODS OF USE AND HANDLING OF THESE PRODUCTS.



1 CAULKING AT PANEL JOINT

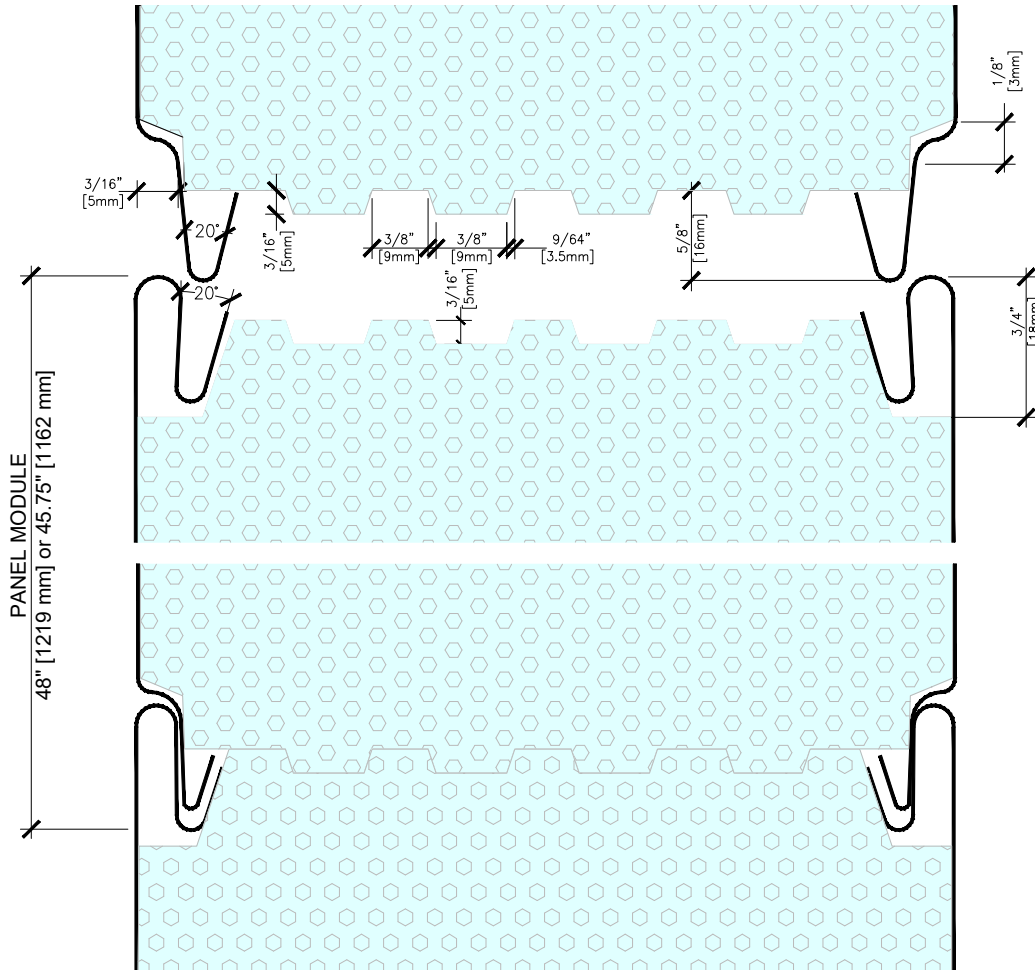
airfoam
 © Copyright 2021 Airfoam Industries Ltd.
 IT IS THE RESPONSIBILITY OF THE USER TO COMPLY WITH ALL APPLICABLE REGULATIONS AND BUILDING CODE REQUIREMENTS CONCERNING THE USE OF THESE PRODUCTS. IT IS FURTHER THE RESPONSIBILITY OF THE USER TO RESEARCH AND UNDERSTAND SAFE METHODS OF USE AND HANDLING OF THESE PRODUCTS.

Airfoam Industries Ltd.
 19402 56 Ave, Surrey, BC V3S 6K4
 Phone: (604) 590-2876
 Fax: (604) 590-8412
 www.airfoam.com

KOROLITE[®] INSULATED METAL PANELS
 Standard Details

CAULKING AT PANEL JOINT

DATE PUBLISHED	2021-06-08	DESIGNED BY	DC
APPROVED BY	ZP	APPROVED DATE	2021-06-09
DRAWN BY	NTS	SHEET SIZE	8.5" x 11"
REVISIONS	01 YYYY-MM-DD	Revisions	
	02 YYYY-MM-DD	Revisions	
	03 YYYY-MM-DD	Revisions	
	04 YYYY-MM-DD	Revisions	
PROJECT NO.	K102	PROJECT TITLE	K102
	KIMP Typical Details		



1 PANEL TO PANEL JOINT



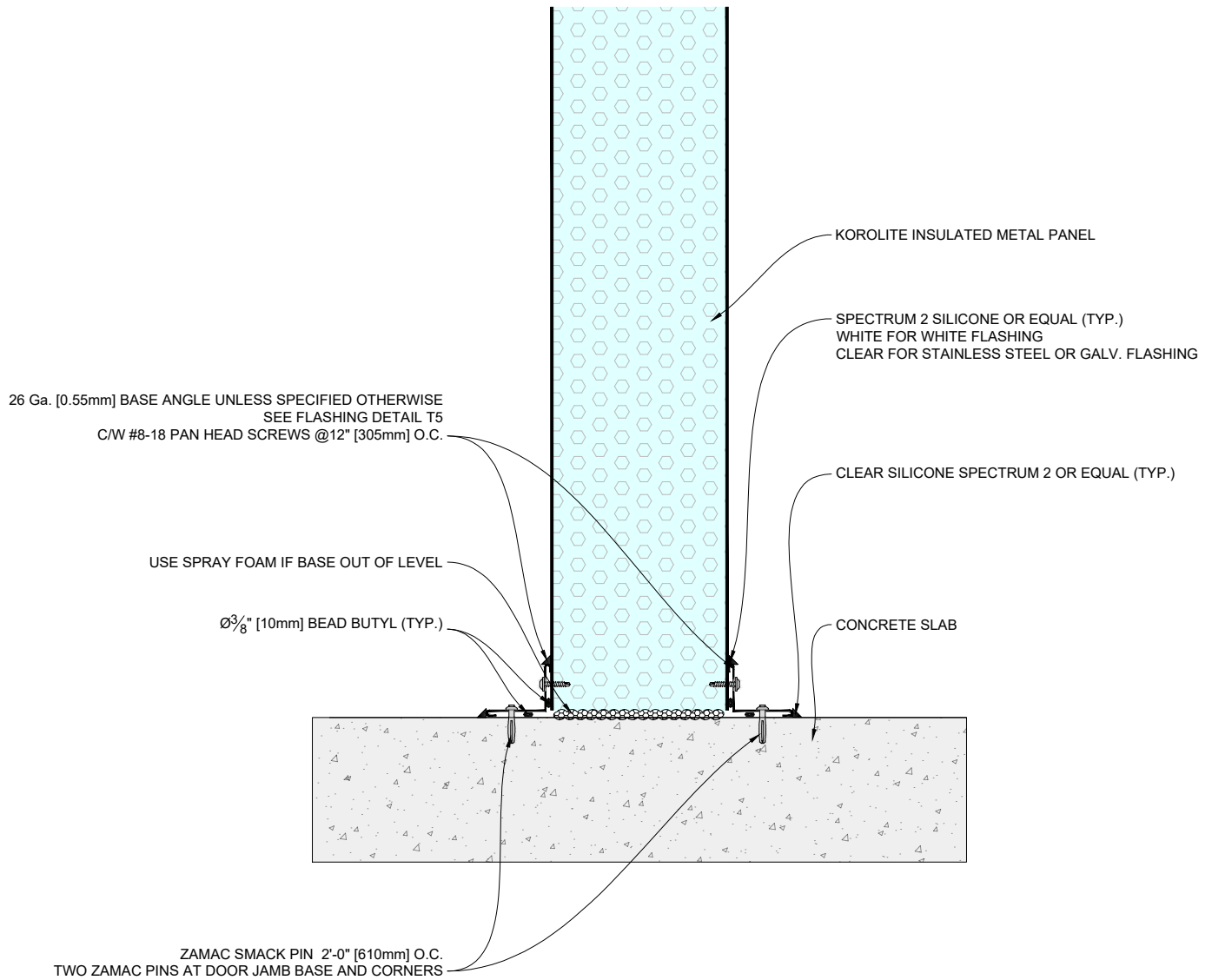
Airfoam Industries Ltd.
 19402 56 Ave, Surrey, BC V3S 6K4
 Phone: (604) 590-2876
 Fax: (604) 590-8412
 www.airfoam.com

KOROLITE® INSULATED METAL PANELS
 Standard Details

PANEL TO PANEL JOINT

DATE PUBLISHED	2021-06-08	DRAWN BY	DC
APPROVED BY	ZP	APPROVED DATE	2021-06-09
SCALE	NTS	SHEET SIZE	8.5" x 11"
REVISIONS	01 YYYY-MM-DD	Revisions	
	02 YYYY-MM-DD	Revisions	
	03 YYYY-MM-DD	Revisions	
	04 YYYY-MM-DD	Revisions	
PROJECT NO.	K103	PROJECT TITLE	K103
PROJECT NAME	KIMP Typical Details		

© Copyright 2021 Airfoam Industries Ltd.
 IT IS THE RESPONSIBILITY OF THE USER TO COMPLY WITH ALL APPLICABLE REGULATIONS AND BUILDING CODE REQUIREMENTS CONCERNING THE USE OF THESE PRODUCTS. IT IS FURTHER THE RESPONSIBILITY OF THE USER TO RESEARCH AND UNDERSTAND SAFE METHODS OF USE AND HANDLING OF THESE PRODUCTS.



1

PANEL TO FLOOR CONNECTION

BASE ANGLE OPTION



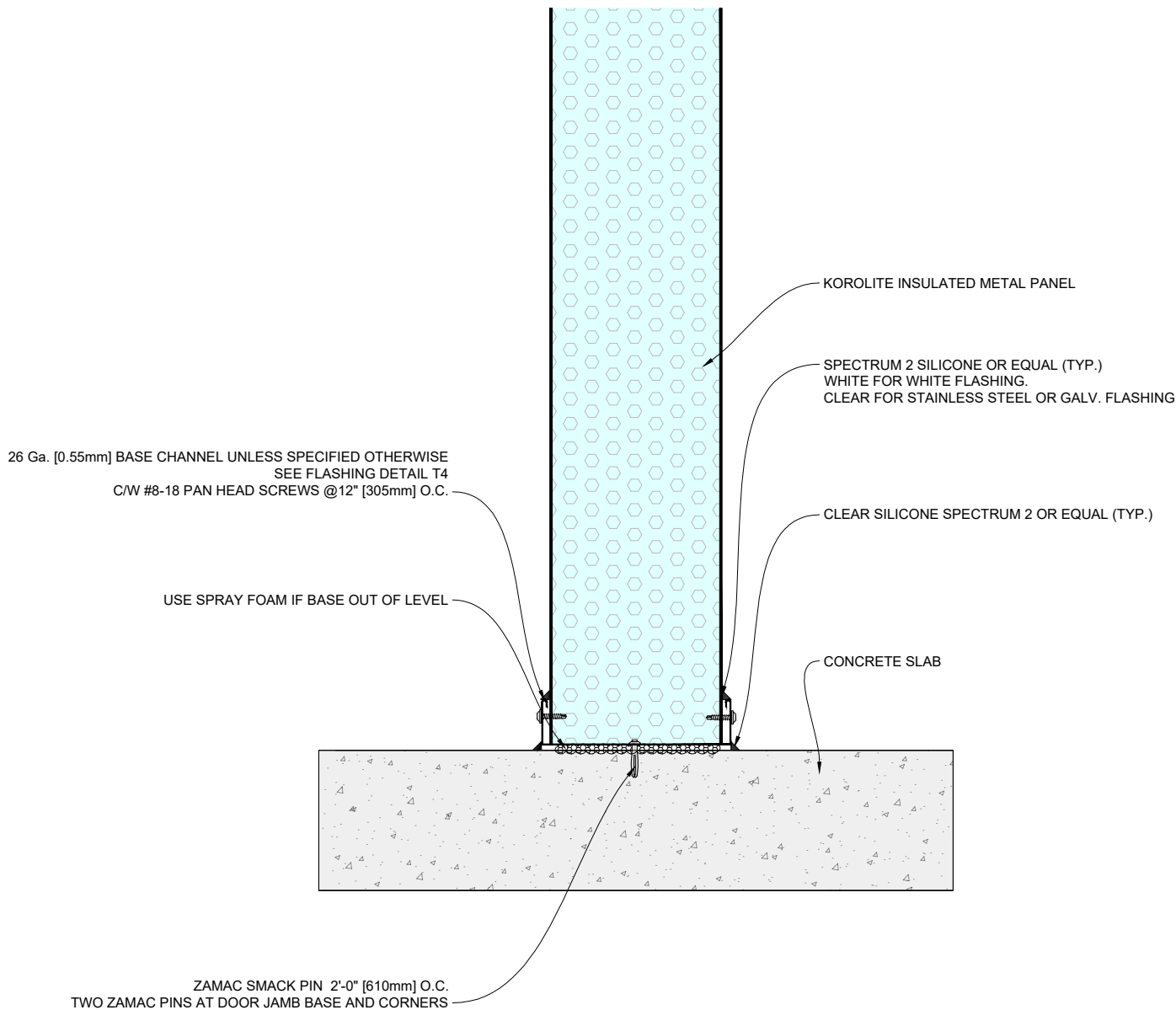
Airfoam Industries Ltd.
 19402 56 Ave, Surrey, BC V3S 6K4
 Phone: (604) 590-2876
 Fax: (604) 590-8412
 www.airfoam.com

KOROLITE® INSULATED METAL PANELS
 Standard Details

PANEL TO FLOOR CONNECTION
 BASE ANGLE OPTION

DATE PREPARED	2021-06-08	DRAWN BY	DC
APPROVED BY	ZP	APPROVED DATE	2021-06-09
SCALE	NTS	SHEET SIZE	8.5" x 11"
REVISIONS	01 YYYY-MM-DD	Revisions	
	02 YYYY-MM-DD	Revisions	
	03 YYYY-MM-DD	Revisions	
	04 YYYY-MM-DD	Revisions	
PROJECT NO.	K201	DETAIL	K201
PROJECT NAME	KIMP Typical Details		

IT IS THE RESPONSIBILITY OF THE USER TO COMPLY WITH ALL APPLICABLE REGULATIONS AND BUILDING CODE REQUIREMENTS CONCERNING THE USE OF THESE PRODUCTS. IT IS FURTHER THE RESPONSIBILITY OF THE USER TO RESEARCH AND UNDERSTAND SAFE METHODS OF USE AND HANDLING OF THESE PRODUCTS.



1

PANEL TO FLOOR CONNECTION

U CHANNEL OPTION



Airfoam Industries Ltd.

19402 56 Ave, Surrey, BC V3S 6K4

Phone: (604) 590-2876

Fax: (604) 590-8412

www.airfoam.com

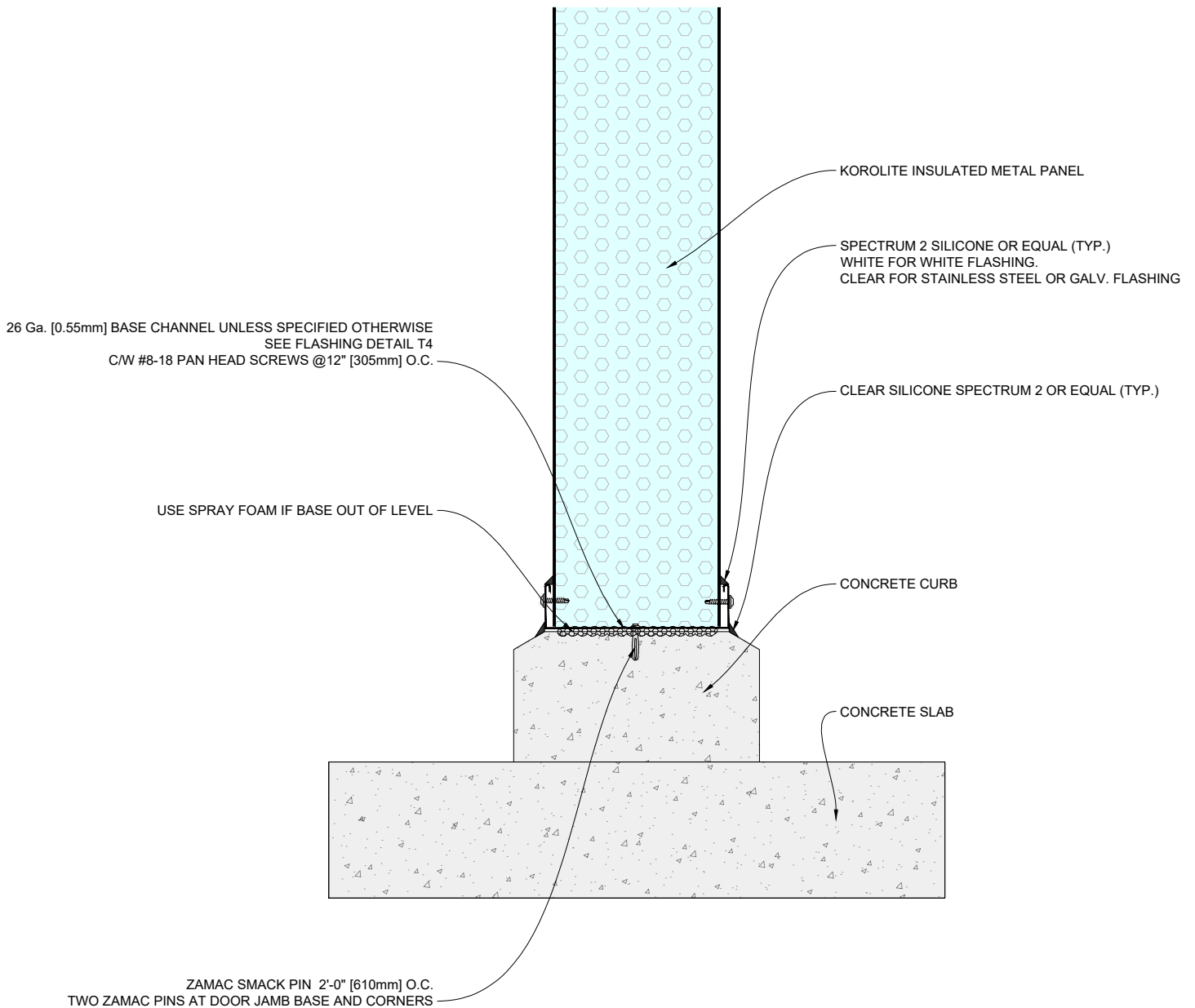
© Copyright 2021 Airfoam Industries Ltd.

IT IS THE RESPONSIBILITY OF THE USER TO COMPLY WITH ALL APPLICABLE REGULATIONS AND BUILDING CODE REQUIREMENTS CONCERNING THE USE OF THESE PRODUCTS. IT IS FURTHER THE RESPONSIBILITY OF THE USER TO RESEARCH AND UNDERSTAND SAFE METHODS OF USE AND HANDLING OF THESE PRODUCTS.

KOROLITE® INSULATED METAL PANELS
Standard Details

PANEL TO FLOOR CONNECTION
U CHANNEL OPTION

DATE PUBLISHED	2021-06-08	DESIGNED BY	DC
APPROVED BY	ZP	APPROVED DATE	2021-06-09
DRAWN BY	NTS	DRAWN DATE	8.5" x 11"
REVISIONS	01 YYYY-MM-DD	Revisions	
	02 YYYY-MM-DD	Revisions	
	03 YYYY-MM-DD	Revisions	
	04 YYYY-MM-DD	Revisions	
PROJECT NO.	K202	DETAIL	K202
PROJECT TITLE	KIMP Typical Details		



1

PANEL TO CURB CONNECTION

U-CHANNEL OPTION



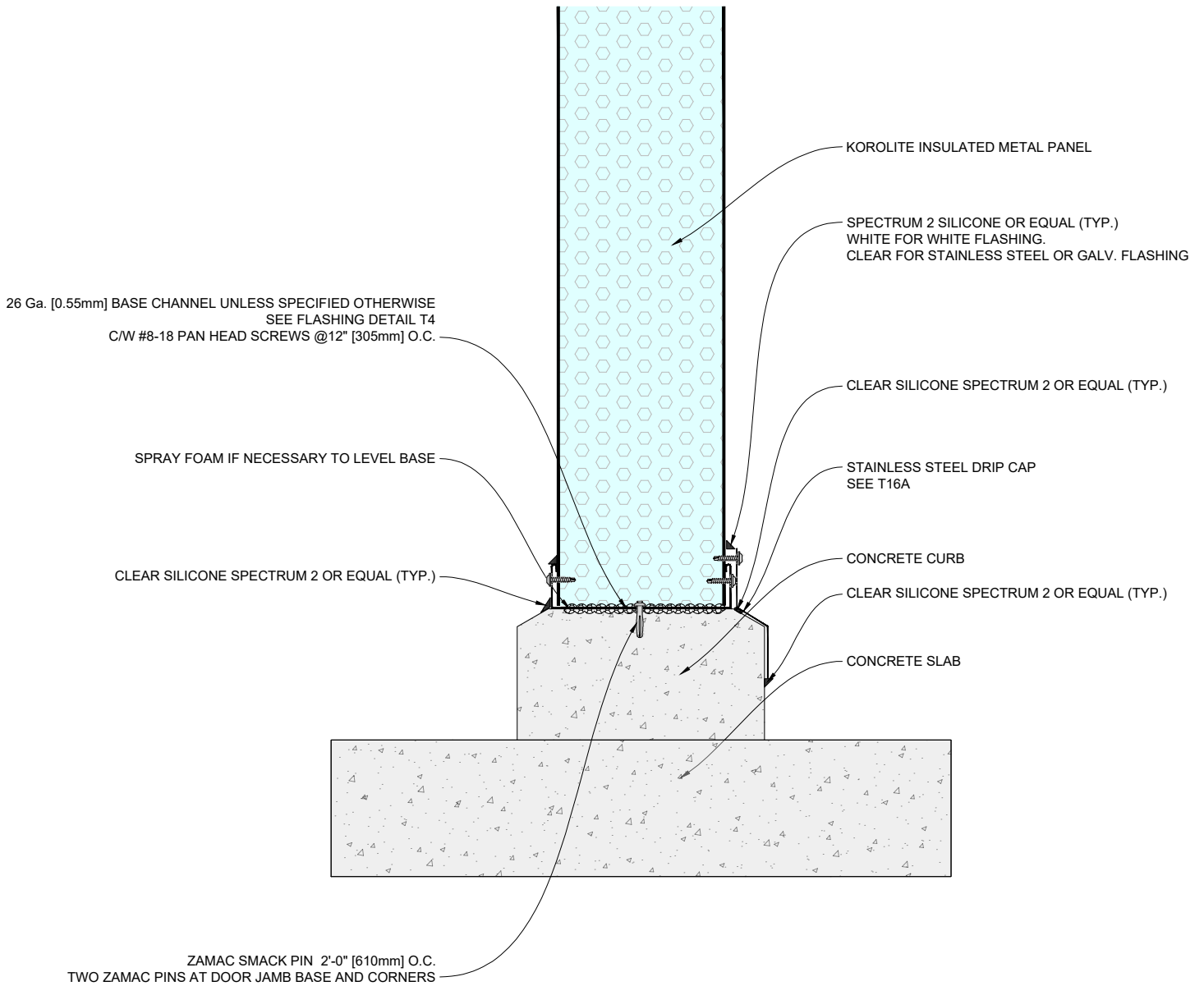
Airfoam Industries Ltd.
19402 56 Ave, Surrey, BC V3S 6K4
Phone: (604) 590-2876
Fax: (604) 590-8412
www.airfoam.com

KOROLITE® INSULATED METAL PANELS
Standard Details

PANEL TO CURB CONNECTION

DATE PUBLISHED	2021-06-08	DRAWN BY	DC
APPROVED BY	ZP	APPROVED DATE	2021-06-09
SCALE	NTS	SHEET SIZE	8.5" x 11"
REVISIONS	01 YYYY-MM-DD	Revisions	
	02 YYYY-MM-DD	Revisions	
	03 YYYY-MM-DD	Revisions	
	04 YYYY-MM-DD	Revisions	
PROJECT No.	K203	DETAIL	K203
PROJECT Title	KIMP Typical Details		

© Copyright 2021 Airfoam Industries Ltd.
IT IS THE RESPONSIBILITY OF THE USER TO COMPLY WITH ALL APPLICABLE REGULATIONS AND BUILDING CODE REQUIREMENTS CONCERNING THE USE OF THESE PRODUCTS. IT IS FURTHER THE RESPONSIBILITY OF THE USER TO RESEARCH AND UNDERSTAND SAFE METHODS OF USE AND HANDLING OF THESE PRODUCTS.



1

PANEL TO CURB CONNECTION

U CHANNEL - WITH STAINLESS STEEL DRIP CAP



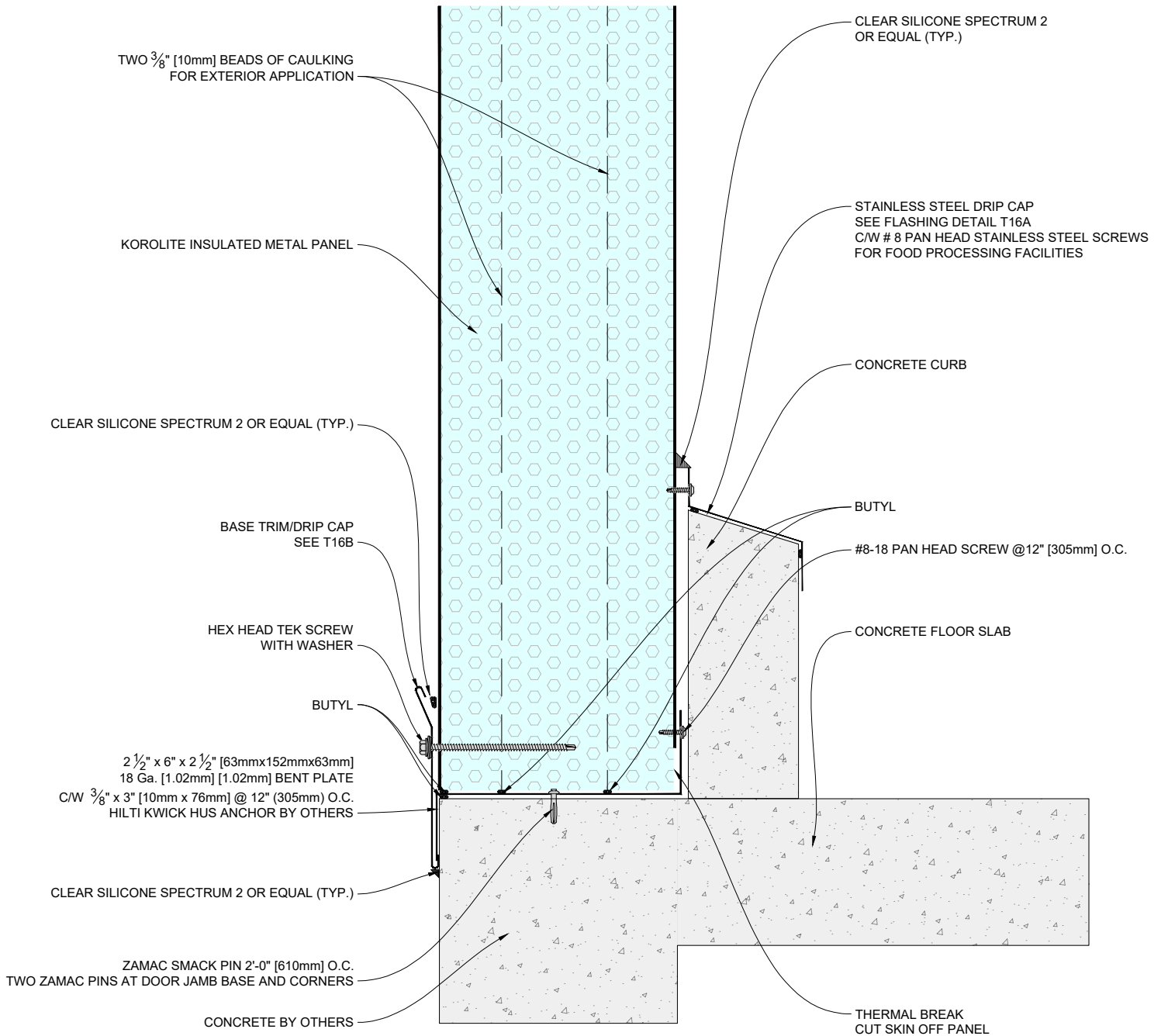
Airfoam Industries Ltd.
19402 56 Ave, Surrey, BC V3S 6K4
Phone: (604) 590-2876
Fax: (604) 590-8412
www.airfoam.com

KOROLITE® INSULATED METAL PANELS
Standard Details

PANEL TO CURB CONNECTION
U CHANNEL - WITH STAINLESS STEEL DRIP CAP

DATE PUBLISHED	2021-06-08	DRAWN BY	DC
APPROVED BY	ZP	APPROVED DATE	2021-06-09
SCALE	NTS	SHEET SIZE	8.5" x 11"
REVISIONS	01 YYYY-MM-DD	Revisions	
	02 YYYY-MM-DD	Revisions	
	03 YYYY-MM-DD	Revisions	
	04 YYYY-MM-DD	Revisions	
PROJECT No.	K204	DETAIL	K204
PROJECT Title	KIMP Typical Details		

© Copyright 2021 Airfoam Industries Ltd.
IT IS THE RESPONSIBILITY OF THE USER TO COMPLY WITH ALL APPLICABLE REGULATIONS AND BUILDING CODE REQUIREMENTS CONCERNING THE USE OF THESE PRODUCTS. IT IS FURTHER THE RESPONSIBILITY OF THE USER TO RESEARCH AND UNDERSTAND SAFE METHODS OF USE AND HANDLING OF THESE PRODUCTS.



1 EXTERIOR COOLER WALL PANEL BASE



Airfoam Industries Ltd.

19402 56 Ave, Surrey, BC V3S 6K4

Phone: (604) 590-2876

Fax: (604) 590-8412

www.airfoam.com

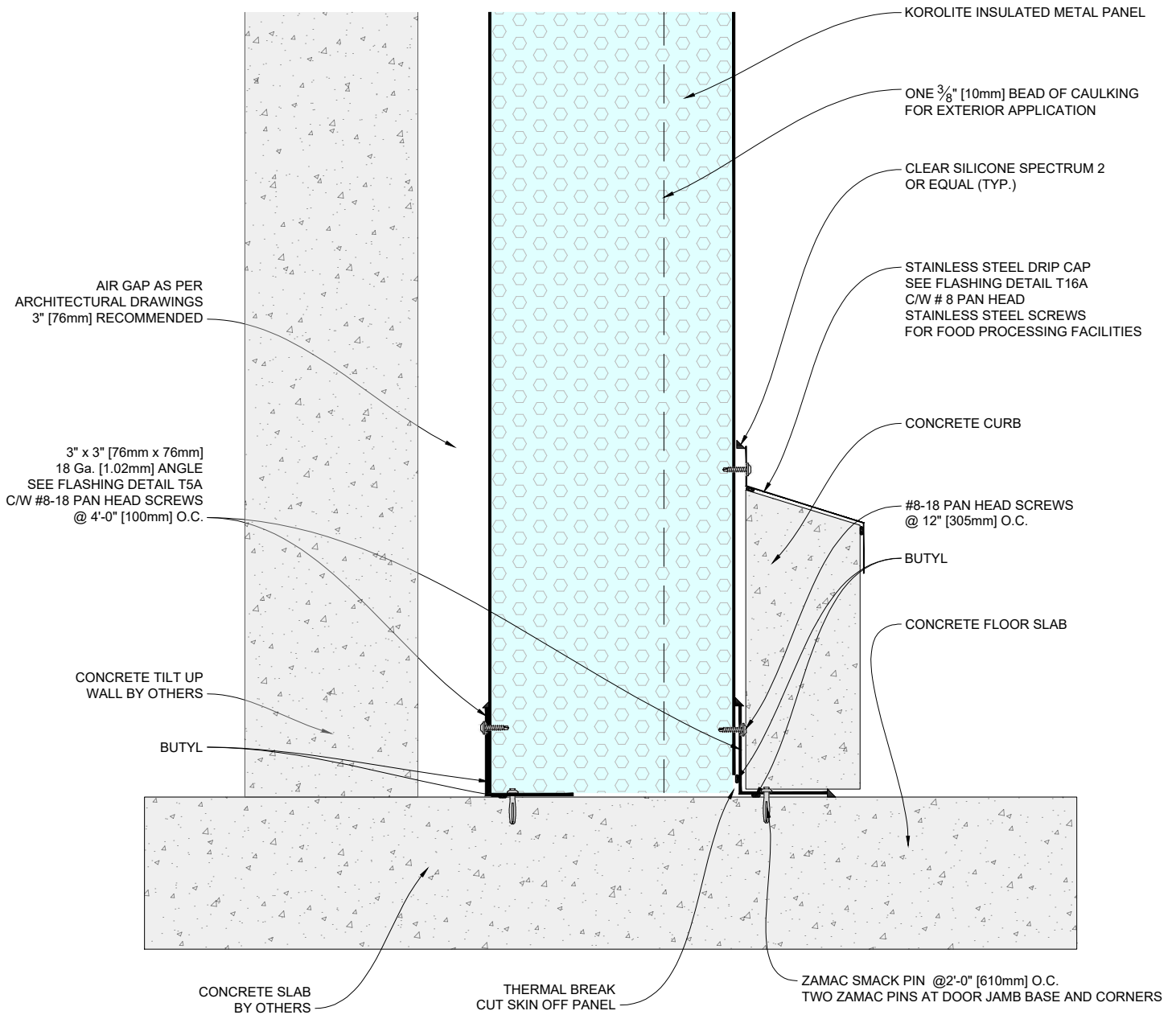
© Copyright 2021 Airfoam Industries Ltd.

IT IS THE RESPONSIBILITY OF THE USER TO COMPLY WITH ALL APPLICABLE REGULATIONS AND BUILDING CODE REQUIREMENTS CONCERNING THE USE OF THESE PRODUCTS. IT IS FURTHER THE RESPONSIBILITY OF THE USER TO RESEARCH AND UNDERSTAND SAFE METHODS OF USE AND HANDLING OF THESE PRODUCTS.

KOROLITE® INSULATED METAL PANELS
Standard Details

EXTERIOR COOLER WALL PANEL BASE

DATE PUBLISHED	2021-06-08	DRAWN BY	DC
APPROVED BY	ZP	APPROVED DATE	2021-06-09
SCALE	NTS	SHEET SIZE	8.5" x 11"
REVISIONS	01 YYYY-MM-DD	Revisions	
	02 YYYY-MM-DD	Revisions	
	03 YYYY-MM-DD	Revisions	
	04 YYYY-MM-DD	Revisions	
PROJECT NO.	K205	PROJECT NAME	K205
PROJECT TITLE	KIMP Typical Details		



1 LINER WALL PANEL BASE
 OPTION B - FOR WALLS UNDER 20' [6.1m] TALL



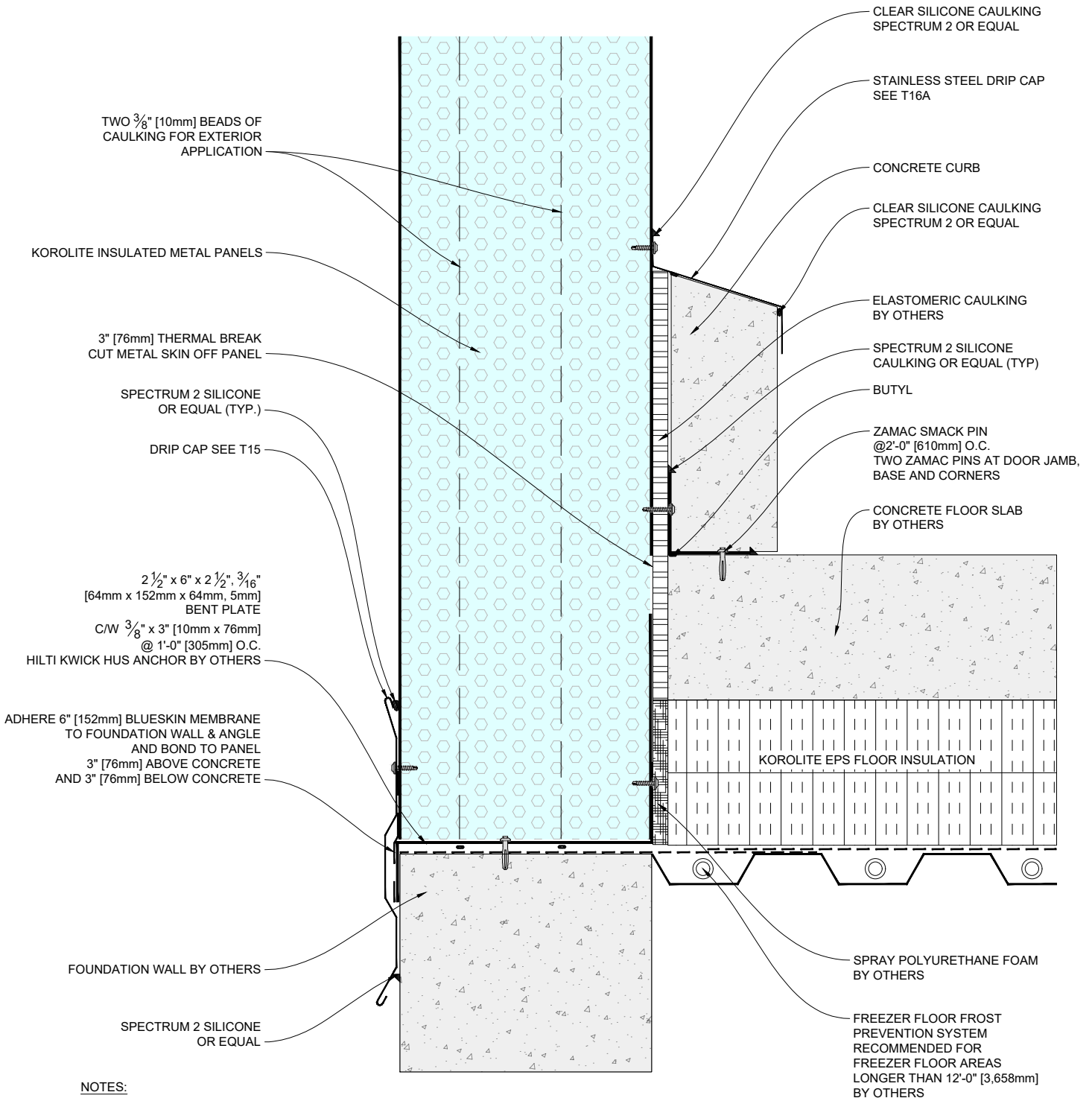
Airfoam Industries Ltd.
 19402 56 Ave, Surrey, BC V3S 6K4
 Phone: (604) 590-2876
 Fax: (604) 590-8412
 www.airfoam.com

KOROLITE® INSULATED METAL PANELS
 Standard Details

LINER WALL PANEL BASE
 OPTION A - FOR WALLS OVER 20'[6.1m] TALL

DATE PUBLISHED	2021-06-08	DRAWN BY	DC
APPROVED BY	ZP	APPROVED DATE	2021-06-09
SCALE	NTS	SHEET SIZE	8.5" x 11"
REVISIONS	01 YYYY-MM-DD Revisions		
	02 YYYY-MM-DD Revisions		
	03 YYYY-MM-DD Revisions		
	04 YYYY-MM-DD Revisions		
PROJECT NO.	K206	PROJECT TITLE	KIMP Typical Details
			K206

© Copyright 2021 Airfoam Industries Ltd.
 IT IS THE RESPONSIBILITY OF THE USER TO COMPLY WITH ALL APPLICABLE REGULATIONS AND BUILDING CODE REQUIREMENTS CONCERNING THE USE OF THESE PRODUCTS. IT IS FURTHER THE RESPONSIBILITY OF THE USER TO RESEARCH AND UNDERSTAND SAFE METHODS OF USE AND HANDLING OF THESE PRODUCTS.



1

EXTERIOR FREEZER WALL PANEL BASE



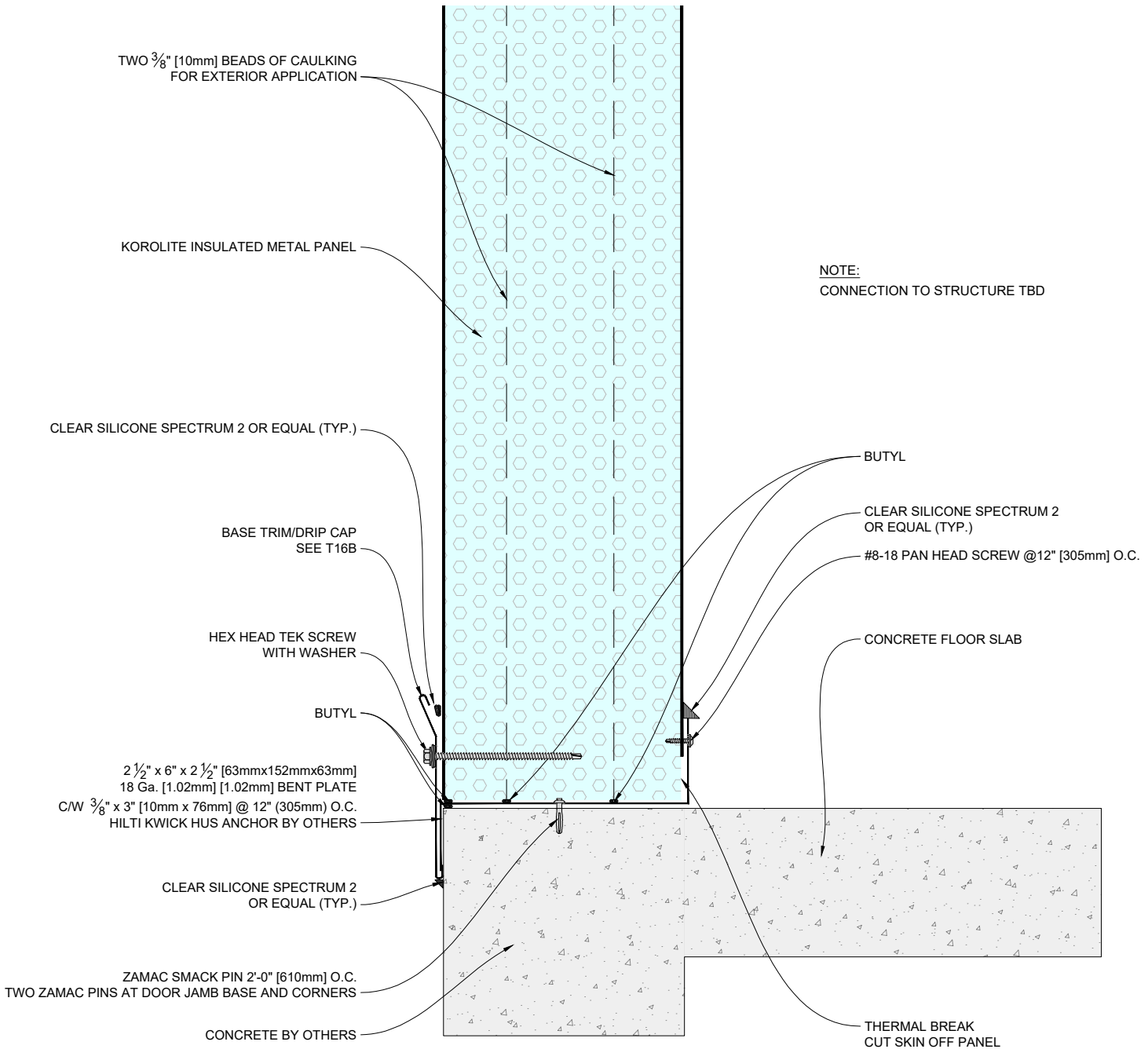
Airfoam Industries Ltd.
19402 56 Ave, Surrey, BC V3S 6K4
Phone: (604) 590-2876
Fax: (604) 590-8412
www.airfoam.com

KOROLITE® INSULATED METAL PANELS
Standard Details

LINER WALL PANEL BASE
OPTION B FOR WALLS UNDER 20 [6.1m] FT TALL

DATE PUBLISHED	2021-06-08	DRAWN BY	DC
APPROVED BY	ZP	APPROVED DATE	2021-06-09
SCALE	NTS	SHEET SIZE	8.5" x 11"
REVISIONS	01 YYYY-MM-DD	Revisions	
	02 YYYY-MM-DD	Revisions	
	03 YYYY-MM-DD	Revisions	
	04 YYYY-MM-DD	Revisions	
PROJECT NO.	K207	PROJECT TITLE	KIMP Typical Details
			K207

© Copyright 2021 Airfoam Industries Ltd.
IT IS THE RESPONSIBILITY OF THE USER TO COMPLY WITH ALL APPLICABLE REGULATIONS AND BUILDING CODE REQUIREMENTS CONCERNING THE USE OF THESE PRODUCTS. IT IS FURTHER THE RESPONSIBILITY OF THE USER TO RESEARCH AND UNDERSTAND SAFE METHODS OF USE AND HANDLING OF THESE PRODUCTS.



NOTE:
CONNECTION TO STRUCTURE TBD

1

EXTERIOR WALL PANEL BASE - NO CURBS

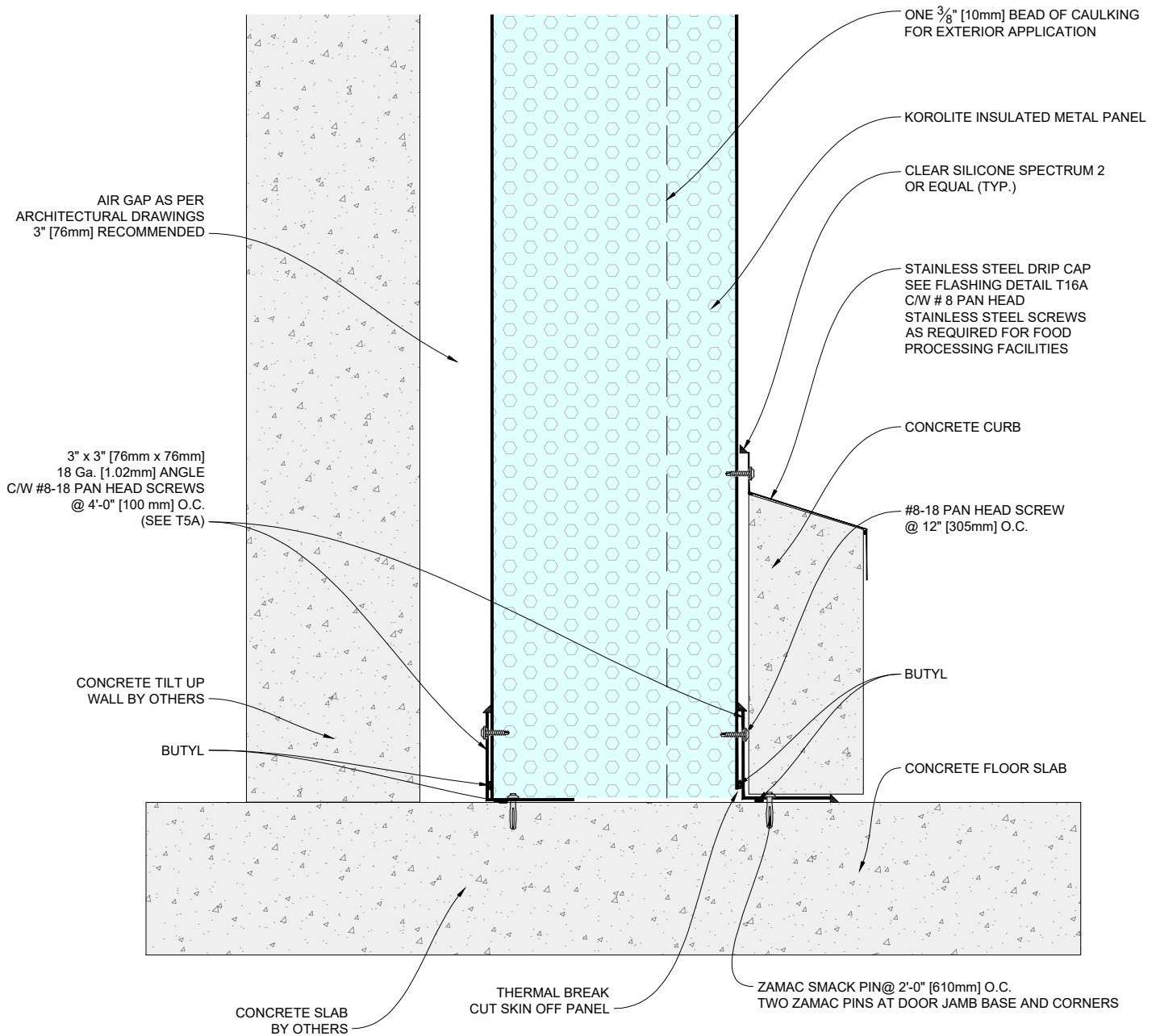
Airfoam Industries Ltd.
 19402 56 Ave, Surrey, BC V3S 6K4
 Phone: (604) 590-2876
 Fax: (604) 590-8412
 www.airfoam.com

KOROLITE® INSULATED METAL PANELS
 Standard Details

© Copyright 2021 Airfoam Industries Ltd.
 IT IS THE RESPONSIBILITY OF THE USER TO COMPLY WITH ALL APPLICABLE REGULATIONS AND BUILDING CODE REQUIREMENTS CONCERNING THE USE OF THESE PRODUCTS. IT IS FURTHER THE RESPONSIBILITY OF THE USER TO RESEARCH AND UNDERSTAND SAFE METHODS OF USE AND HANDLING OF THESE PRODUCTS.

EXTERIOR FREEZER WALL PANEL BASE

DATE PUBLISHED	2021-06-08	DESIGNED BY	DC
APPROVED BY	ZP	APPROVED DATE	2021-06-09
DRAWN BY	NTS	DRAWN DATE	8.5" x 11"
REVISIONS	01 YYYY-MM-DD	Revisions	
	02 YYYY-MM-DD	Revisions	
	03 YYYY-MM-DD	Revisions	
	04 YYYY-MM-DD	Revisions	
PROJECT NO.	K208	PROJECT NAME	
PROJECT TITLE	KIMP Typical Details		
			K208



1 LINER WALL PANEL BASE

OPTION A - FOR WALLS OVER 20' [6.1m] TALL



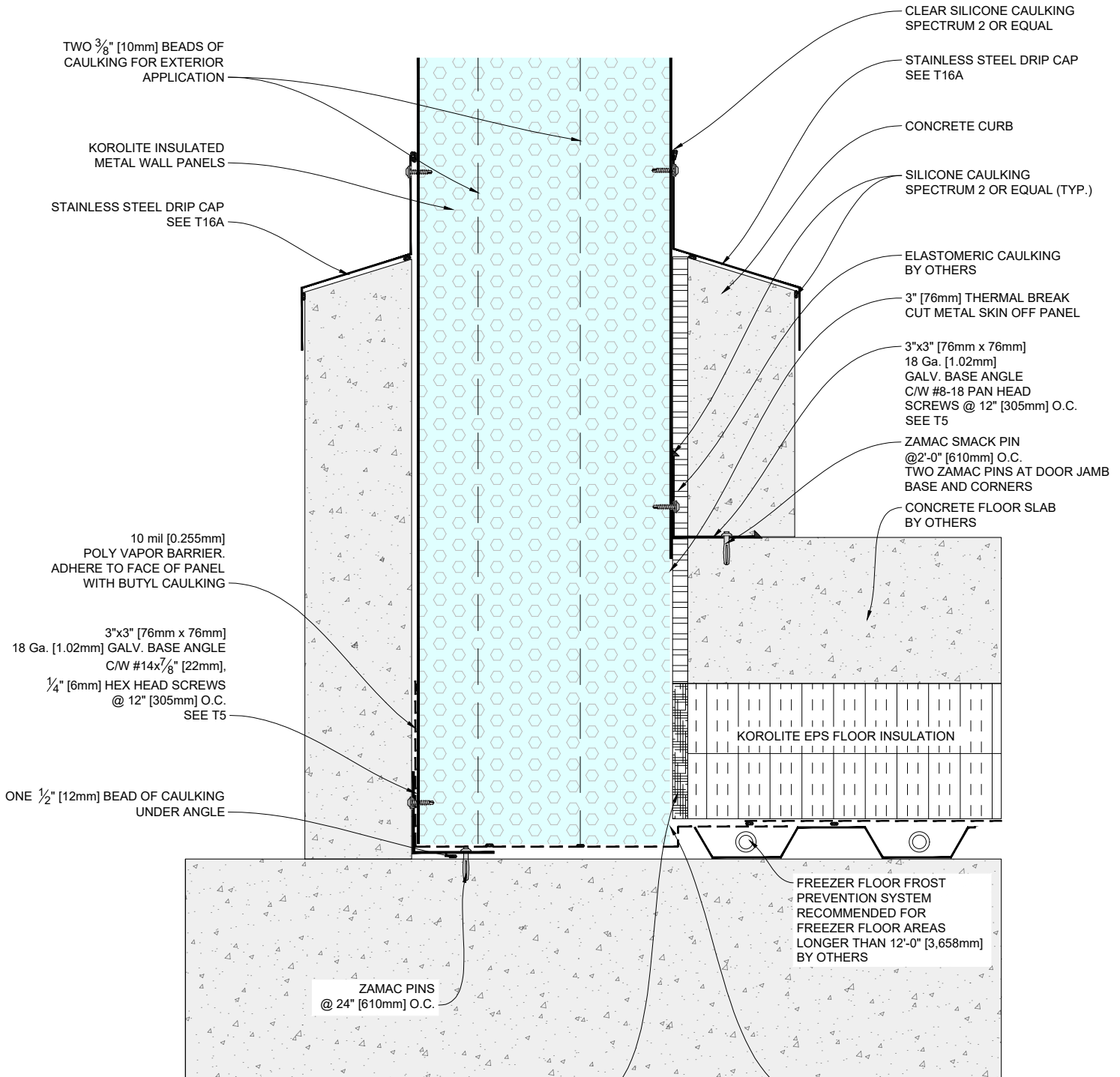
Airfoam Industries Ltd.
 19402 56 Ave, Surrey, BC V3S 6K4
 Phone: (604) 590-2876
 Fax: (604) 590-8412
 www.airfoam.com

KOROLITE® INSULATED METAL PANELS Standard Details

EXTERIOR WALL PANEL BASE - NO CURBS

DATE PUBLISHED	2021-06-08	DRAWN BY	DC
APPROVED BY	ZP	APPROVED DATE	2021-06-09
SCALE	NTS	SHEET SIZE	8.5" x 11"
REVISIONS	01 YYYY-MM-DD Revisions		
	02 YYYY-MM-DD Revisions		
	03 YYYY-MM-DD Revisions		
	04 YYYY-MM-DD Revisions		
PROJECT NO.	K208	PROJECT NAME	K208A
	KIMP Typical Details		

© Copyright 2021 Airfoam Industries Ltd.
 IT IS THE RESPONSIBILITY OF THE USER TO COMPLY WITH ALL APPLICABLE REGULATIONS AND BUILDING CODE REQUIREMENTS CONCERNING THE USE OF THESE PRODUCTS. IT IS FURTHER THE RESPONSIBILITY OF THE USER TO RESEARCH AND UNDERSTAND SAFE METHODS OF USE AND HANDLING OF THESE PRODUCTS.



NOTES:
 1. BRACE EXTERIOR WALL PRIOR TO POURING CONCRETE FLOORS AND CURBS.
 2. SPECTRUM 2 SILICONE OR APPROVED EQUAL 6" [152mm] UP PANEL JOINT FROM TOP OF BASE FLASHING

1

RAISED FREEZER FLOOR WITH CURBS



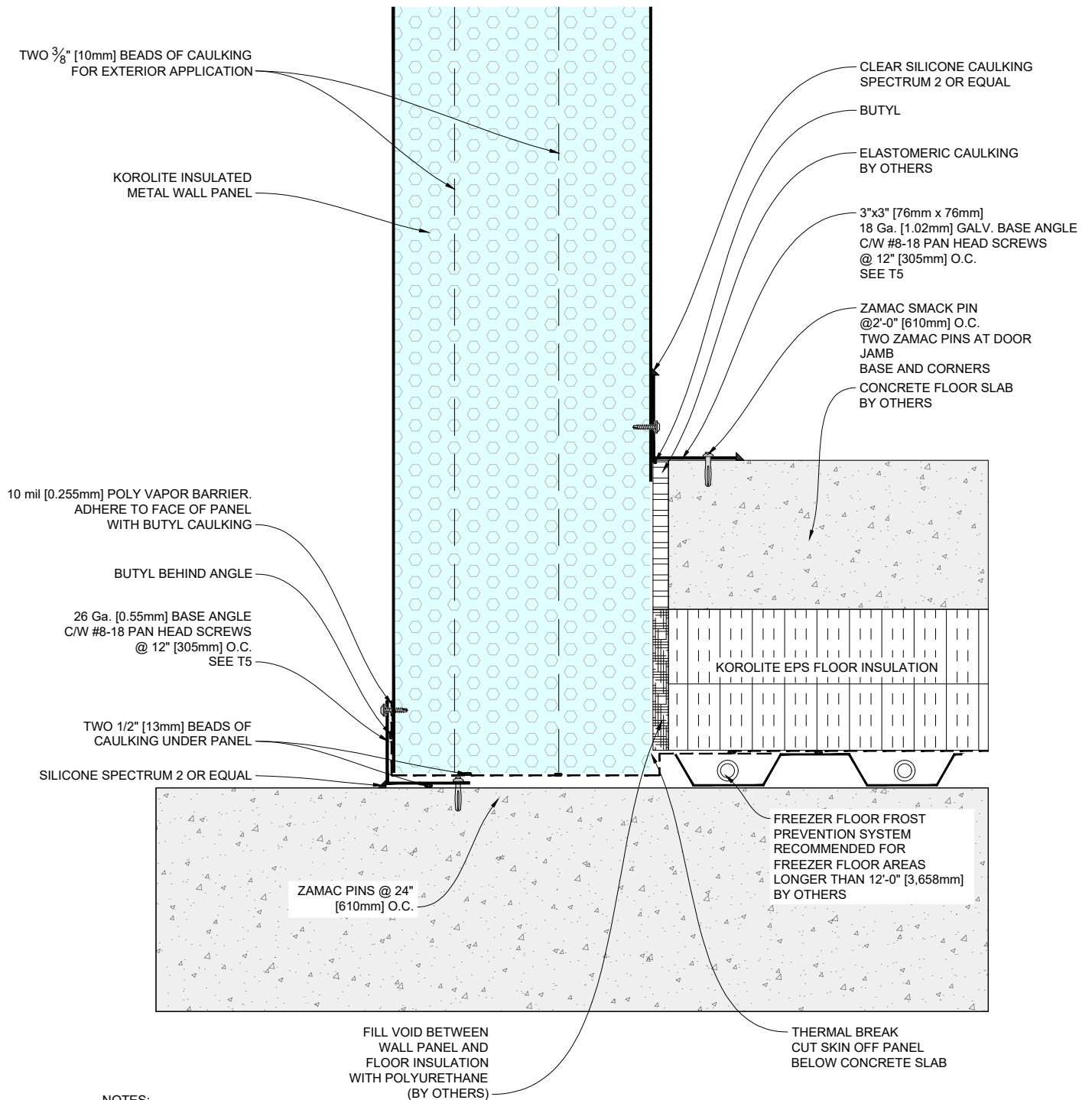
Airfoam Industries Ltd.
 19402 56 Ave, Surrey, BC V3S 6K4
 Phone: (604) 590-2876
 Fax: (604) 590-8412
 www.airfoam.com

KOROLITE® INSULATED METAL PANELS
 Standard Details

RAISED FREEZER FLOOR WITH CURBS

DATE PUBLISHED	2021-06-08	DESIGNED BY	DC
APPROVED BY	ZP	APPROVED DATE	2021-06-09
DRAWN BY	NTS	DEPT CODE	8.5" x 11"
REVISIONS	01 YYYY-MM-DD	Revisions	
	02 YYYY-MM-DD	Revisions	
	03 YYYY-MM-DD	Revisions	
	04 YYYY-MM-DD	Revisions	
PROJECT NO.	K209		
PROJECT BY	KIMP Typical Details		
			K209

© Copyright 2021 Airfoam Industries Ltd.
 IT IS THE RESPONSIBILITY OF THE USER TO COMPLY WITH ALL APPLICABLE REGULATIONS AND BUILDING CODE REQUIREMENTS CONCERNING THE USE OF THESE PRODUCTS. IT IS FURTHER THE RESPONSIBILITY OF THE USER TO RESEARCH AND UNDERSTAND SAFE METHODS OF USE AND HANDLING OF THESE PRODUCTS.



NOTES:

1. BRACE EXTERIOR WALL PRIOR TO POURING CONCRETE FLOORS AND CURBS.
2. SPECTRUM 2 SILICONE OR APPROVED EQUAL 6" [152mm] UP PANEL JOINT FROM TOP OF BASE FLASHING

1 RAISED FREEZER FLOOR WITHOUT CURBS



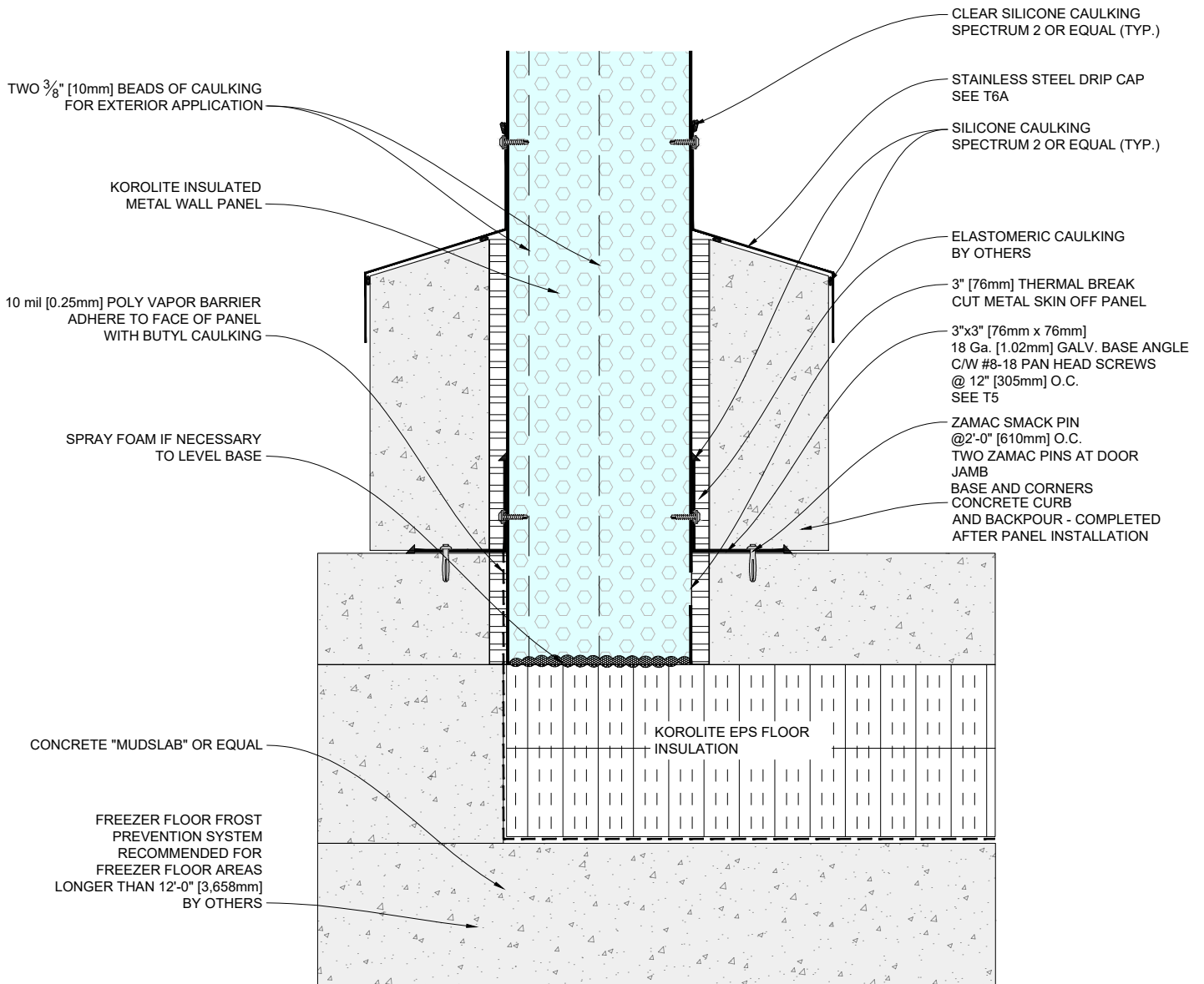
Airfoam Industries Ltd.
 19402 56 Ave, Surrey, BC V3S 6K4
 Phone: (604) 590-2876
 Fax: (604) 590-8412
 www.airfoam.com

KOROLITE® INSULATED METAL PANELS Standard Details

RAISED FREEZER FLOOR WITHOUT CURBS

DATE PUBLISHED	2021-06-08	DRAWN BY	DC
APPROVED BY	ZP	APPROVED DATE	2021-06-09
SCALE	NTS	DESKTOP SIZE	8.5" x 11"
REVISIONS	01 YYYY-MM-DD	Revisions	
	02 YYYY-MM-DD	Revisions	
	03 YYYY-MM-DD	Revisions	
	04 YYYY-MM-DD	Revisions	
PROJECT NO.	K210	PROJECT TITLE	
PROJECT BY	KIMP Typical Details		
			K210

© Copyright 2021 Airfoam Industries Ltd.
 IT IS THE RESPONSIBILITY OF THE USER TO COMPLY WITH ALL APPLICABLE REGULATIONS AND BUILDING CODE REQUIREMENTS CONCERNING THE USE OF THESE PRODUCTS. IT IS FURTHER THE RESPONSIBILITY OF THE USER TO RESEARCH AND UNDERSTAND SAFE METHODS OF USE AND HANDLING OF THESE PRODUCTS.



NOTES:

1. BRACE EXTERIOR WALL PRIOR TO POURING CONCRETE FLOORS AND CURBS.
2. BLOCK OUT OPENING IN FLOOR 1" [25mm] LARGER THAN THICKNESS OF PANEL.

1

PRECONSTRUCTED FREEZER FLOOR WITH CURBS



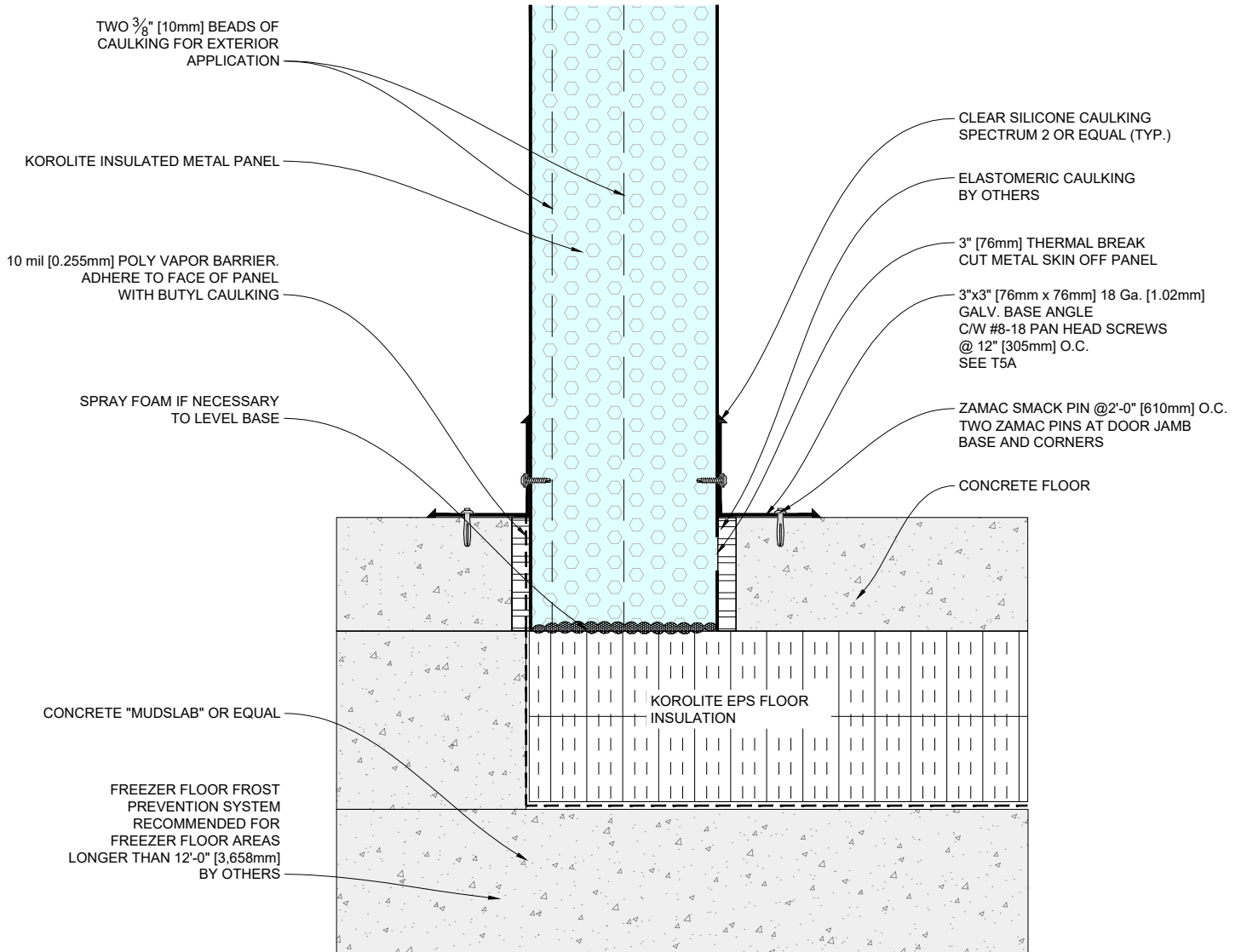
Airfoam Industries Ltd.
 19402 56 Ave, Surrey, BC V3S 6K4
 Phone: (604) 590-2876
 Fax: (604) 590-8412
 www.airfoam.com

KOROLITE® INSULATED METAL PANELS Standard Details

PRECONSTRUCTED FREEZER FLOOR

DATE PREPARED	2021-06-08	DRAWN BY	DC
APPROVED BY	ZP	APPROVED DATE	2021-06-09
SCALE	NTS	SHEET SIZE	8.5" x 11"
REVISIONS	01 YYYY-MM-DD	Revisions	
	02 YYYY-MM-DD	Revisions	
	03 YYYY-MM-DD	Revisions	
	04 YYYY-MM-DD	Revisions	
PROJECT NO.	K211	SHEET	
PROJECT TITLE	KIMP Typical Details		K211

© Copyright 2021 Airfoam Industries Ltd.
 IT IS THE RESPONSIBILITY OF THE USER TO COMPLY WITH ALL APPLICABLE REGULATIONS AND BUILDING CODE REQUIREMENTS CONCERNING THE USE OF THESE PRODUCTS. IT IS FURTHER THE RESPONSIBILITY OF THE USER TO RESEARCH AND UNDERSTAND SAFE METHODS OF USE AND HANDLING OF THESE PRODUCTS.



NOTES:

1. BRACE EXTERIOR WALL PRIOR TO POURING CONCRETE FLOORS AND CURBS.
2. BLOCK OUT OPENING IN FLOOR 1" [25 mm] LARGER THAN THICKNESS OF PANEL.

1

PRECONSTRUCTED FREEZER FLOOR WITHOUT CURBS



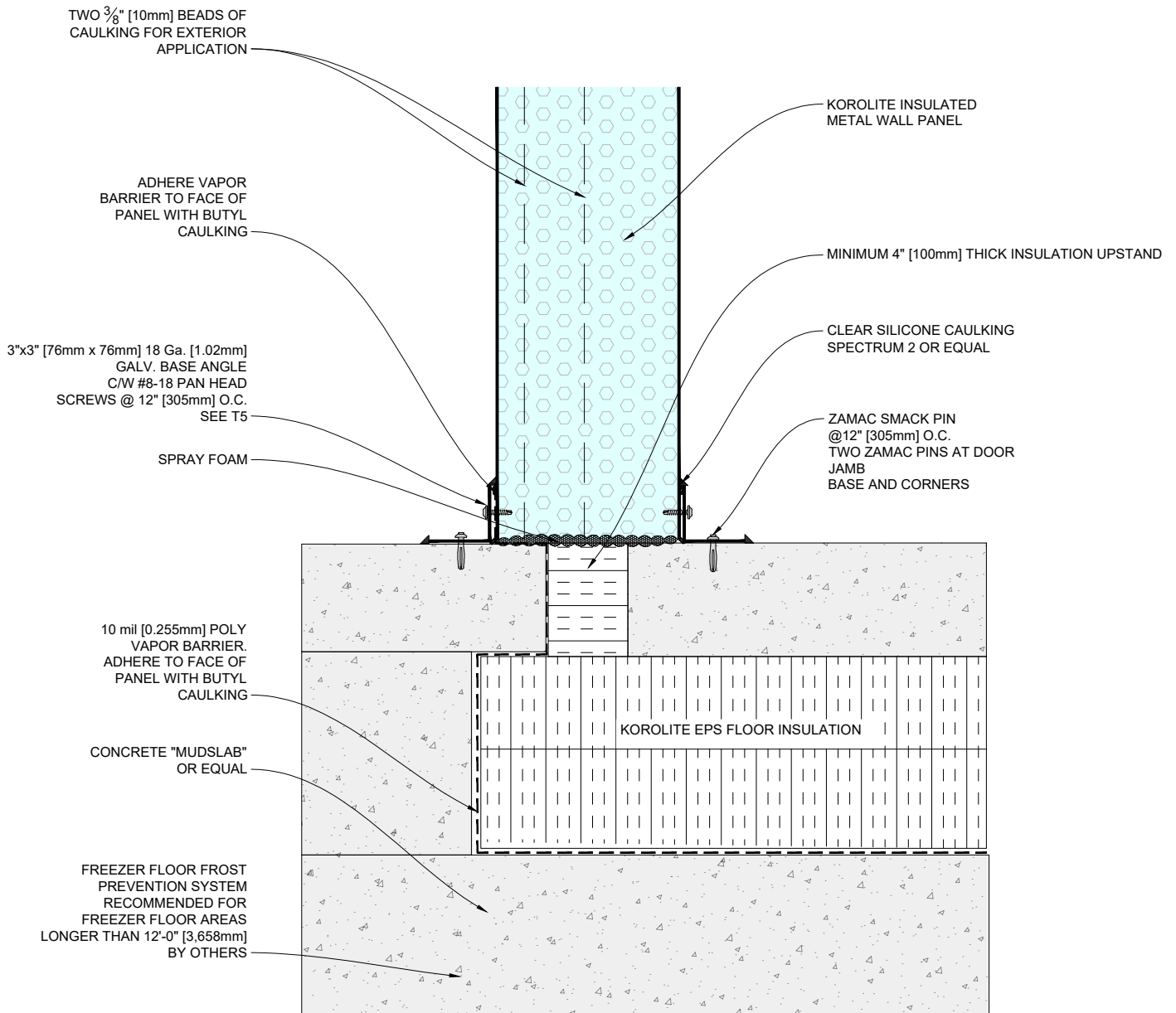
Airfoam Industries Ltd.
 19402 56 Ave, Surrey, BC V3S 6K4
 Phone: (604) 590-2876
 Fax: (604) 590-8412
 www.airfoam.com

KOROLITE® INSULATED METAL PANELS Standard Details

PRE-CONSTRUCTED FREEZER FLOOR WITHOUT CURBS

DATE PUBLISHED	2021-06-08	DRAWN BY	DC
APPROVED BY	ZP	APPROVED DATE	2021-06-09
SCALE	NTS	SHEET SIZE	8.5" x 11"
REVISIONS	01 YYYY-MM-DD	Revisions	
	02 YYYY-MM-DD	Revisions	
	03 YYYY-MM-DD	Revisions	
	04 YYYY-MM-DD	Revisions	
PROJECT NO.	K212	DETAIL	K212
PROJECT TITLE	KIMP Typical Details		

© Copyright 2021 Airfoam Industries Ltd.
 IT IS THE RESPONSIBILITY OF THE USER TO COMPLY WITH ALL APPLICABLE REGULATIONS AND BUILDING CODE REQUIREMENTS CONCERNING THE USE OF THESE PRODUCTS. IT IS FURTHER THE RESPONSIBILITY OF THE USER TO RESEARCH AND UNDERSTAND SAFE METHODS OF USE AND HANDLING OF THESE PRODUCTS.



NOTES:

1. BRACE EXTERIOR WALL PRIOR TO POURING CONCRETE FLOORS AND CURBS.
2. BLOCK OUT OPENING IN FLOOR 1" [25 mm] LARGER THAN THICKNESS OF PANEL.

1 PRECONSTRUCTED FREEZER FLOOR



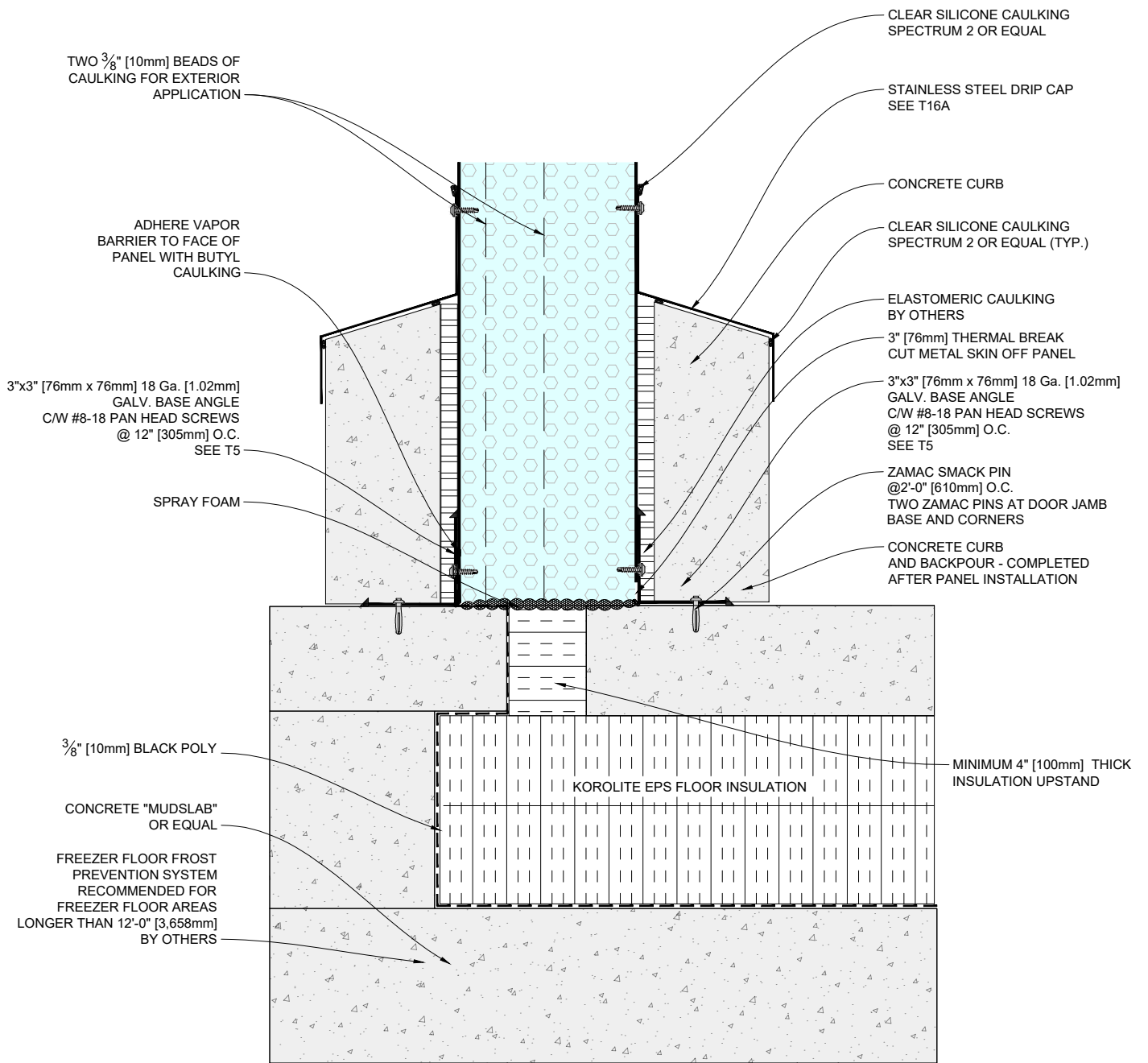
Airfoam Industries Ltd.
 19402 56 Ave, Surrey, BC V3S 6K4
 Phone: (604) 590-2876
 Fax: (604) 590-8412
 www.airfoam.com

KOROLITE® INSULATED METAL PANELS Standard Details

PRECONSTRUCTED FREEZER FLOOR WITH UPSTAND - NO CURBS

DATE PUBLISHED	2021-06-08	DESIGNED BY	DC
APPROVED BY	ZP	APPROVED DATE	2021-06-09
DRAWN BY	NTS	SHEET SIZE	8.5" x 11"
REVISIONS	01 YYYY-MM-DD	Revisions	
	02 YYYY-MM-DD	Revisions	
	03 YYYY-MM-DD	Revisions	
	04 YYYY-MM-DD	Revisions	
PROJECT NO.	K213	PROJECT TITLE	
PROJECT NAME	KIMP Typical Details		
			K213

© Copyright 2021 Airfoam Industries Ltd.
 IT IS THE RESPONSIBILITY OF THE USER TO COMPLY WITH ALL APPLICABLE REGULATIONS AND BUILDING CODE REQUIREMENTS CONCERNING THE USE OF THESE PRODUCTS. IT IS FURTHER THE RESPONSIBILITY OF THE USER TO RESEARCH AND UNDERSTAND SAFE METHODS OF USE AND HANDLING OF THESE PRODUCTS.



NOTES:

1. BRACE EXTERIOR WALL PRIOR TO POURING CONCRETE FLOORS AND CURBS.
2. BLOCK OUT OPENING IN FLOOR 1" [25mm] LARGER THAN THICKNESS OF PANEL.

1 PRECONSTRUCTED FREEZER FLOOR



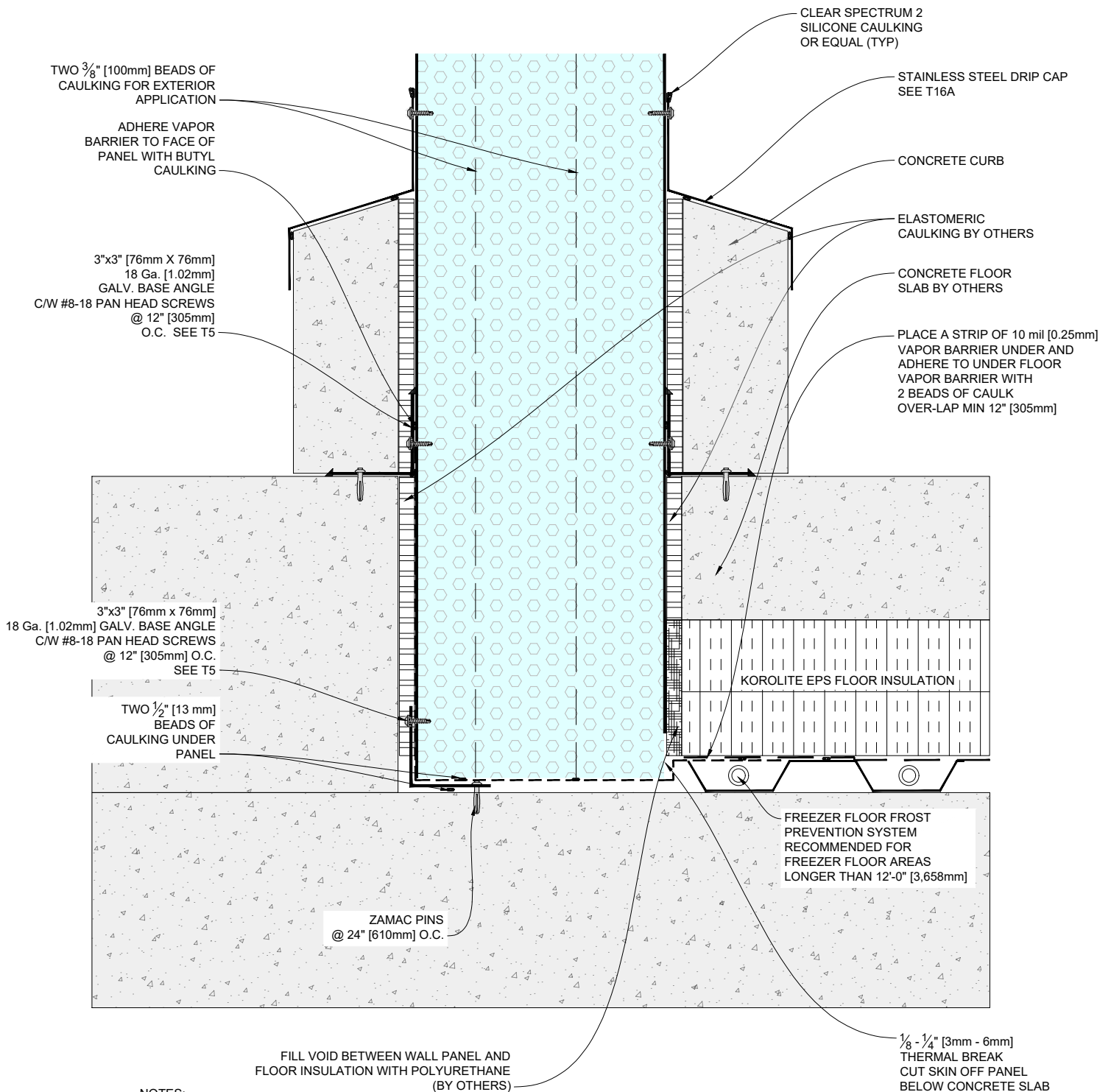
Airfoam Industries Ltd.
 19402 56 Ave, Surrey, BC V3S 6K4
 Phone: (604) 590-2876
 Fax: (604) 590-8412
 www.airfoam.com

KOROLITE® INSULATED METAL PANELS Standard Details

PRECONSTRUCTED FREEZER FLOOR WITH UPSTAND - WITH CURBS

DATE PUBLISHED	2021-06-08	DRAWN BY	DC
APPROVED BY	ZP	APPROVED DATE	2021-06-09
SCALE	NTS	DRAWING CODE	8.5" x 11"
REVISIONS	01 YYYY-MM-DD	Revisions	
	02 YYYY-MM-DD	Revisions	
	03 YYYY-MM-DD	Revisions	
	04 YYYY-MM-DD	Revisions	
PROJECT NO.	K214	PROJECT TITLE	
	KIMP Typical Details		
			K214

© Copyright 2021 Airfoam Industries Ltd.
 IT IS THE RESPONSIBILITY OF THE USER TO COMPLY WITH ALL APPLICABLE REGULATIONS AND BUILDING CODE REQUIREMENTS CONCERNING THE USE OF THESE PRODUCTS. IT IS FURTHER THE RESPONSIBILITY OF THE USER TO RESEARCH AND UNDERSTAND SAFE METHODS OF USE AND HANDLING OF THESE PRODUCTS.



NOTES:

1. BRACE EXTERIOR WALL PRIOR TO POURING CONCRETE FLOORS AND CURBS.
2. SPECTRUM 2 SILICONE OR APPROVED EQUAL 6" (152mm) UP PANEL JOINT FROM TOP OF BASE FLASHING

1 STANDARD FREEZER FLOOR



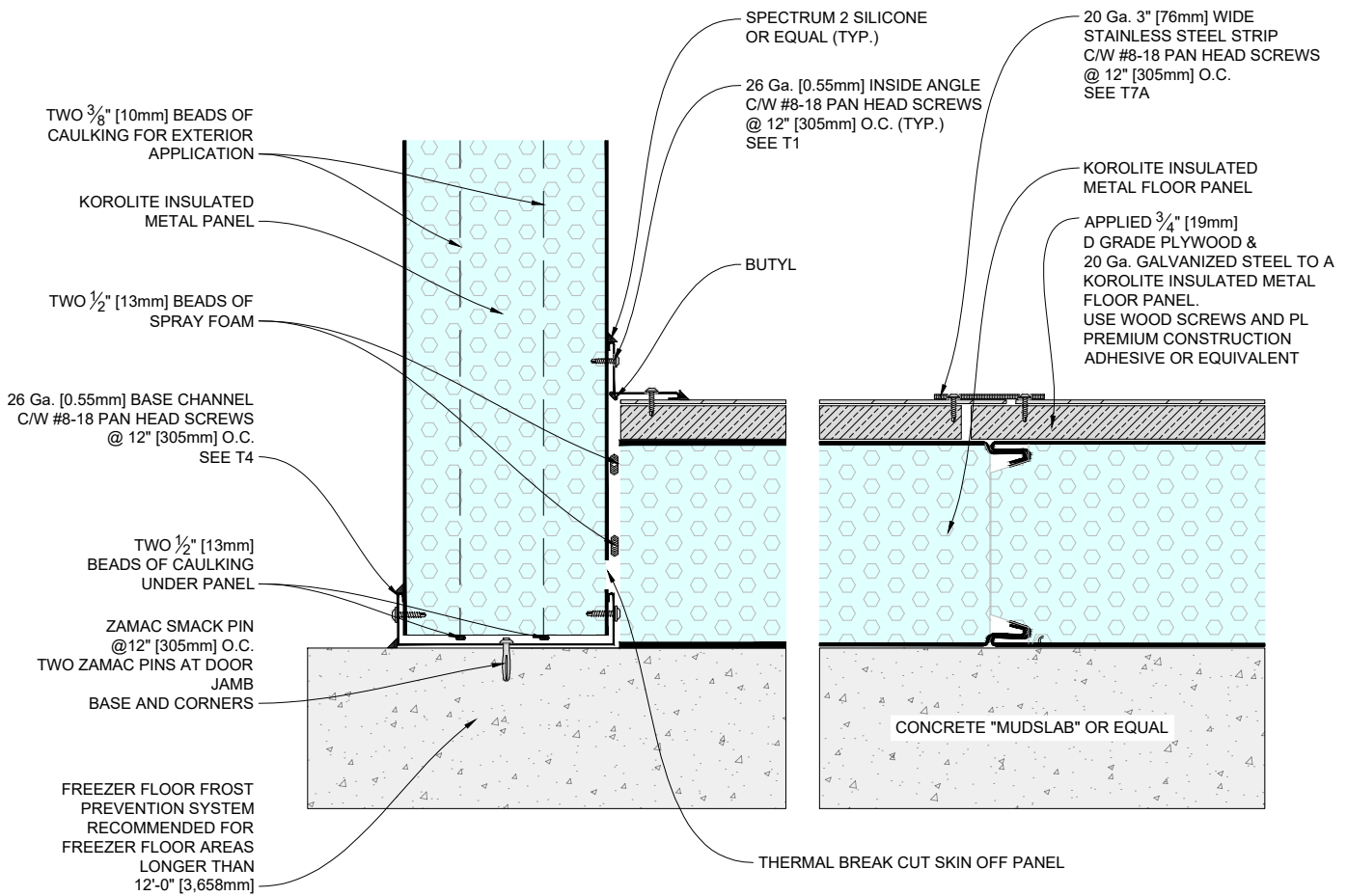
Airfoam Industries Ltd.
 19402 56 Ave, Surrey, BC V3S 6K4
 Phone: (604) 590-2876
 Fax: (604) 590-8412
 www.airfoam.com

KOROLITE® INSULATED METAL PANELS Standard Details

STANDARD FREEZER FLOOR WITH CURBS

DATE PUBLISHED	2021-06-08	DESIGNED BY	DC
APPROVED BY	ZP	APPROVED DATE	2021-06-09
DRAWN BY	NTS	DESK TOP	8.5" x 11"
REVISIONS	01 YYYY-MM-DD	Revisions	
	02 YYYY-MM-DD	Revisions	
	03 YYYY-MM-DD	Revisions	
	04 YYYY-MM-DD	Revisions	
PROJECT NO.	K215	PROJECT TITLE	KIMP Typical Details
			K215

© Copyright 2021 Airfoam Industries Ltd.
 IT IS THE RESPONSIBILITY OF THE USER TO COMPLY WITH ALL APPLICABLE REGULATIONS AND BUILDING CODE REQUIREMENTS CONCERNING THE USE OF THESE PRODUCTS. IT IS FURTHER THE RESPONSIBILITY OF THE USER TO RESEARCH AND UNDERSTAND SAFE METHODS OF USE AND HANDLING OF THESE PRODUCTS.



NOTES:

1. WHEN APPLYING PLYWOOD AND GALVANIZED STEEL, ENSURE THAT EACH LAYER IS INSTALLED PERPENDICULAR TO ONE ANOTHER.
2. FASTEN PLYWOOD TO PANEL USING #14 x $1\frac{3}{4}$ " [44mm] STAINLESS STEEL FLATHEAD SCREWS @ 16" [406mm] IN EACH DIRECTION AND ALONG SEAMS, AND APPLY GALVANIZED STEEL TO GLUE LAMINATED PLYWOOD.

1 BUILT UP FREEZER FLOOR



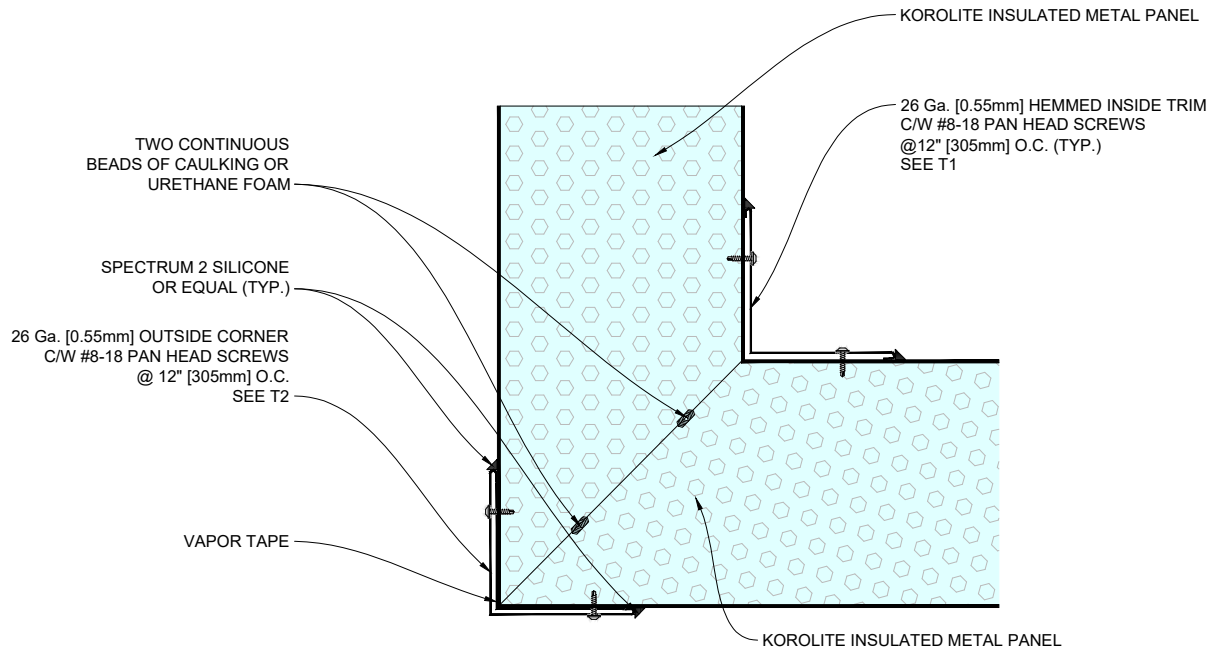
Airfoam Industries Ltd.
 19402 56 Ave, Surrey, BC V3S 6K4
 Phone: (604) 590-2876
 Fax: (604) 590-8412
 www.airfoam.com

KOROLITE® INSULATED METAL PANELS Standard Details

BUILT UP FREEZER FLOOR WITH PANEL, PLYWOOD AND GALVANIZED STEEL

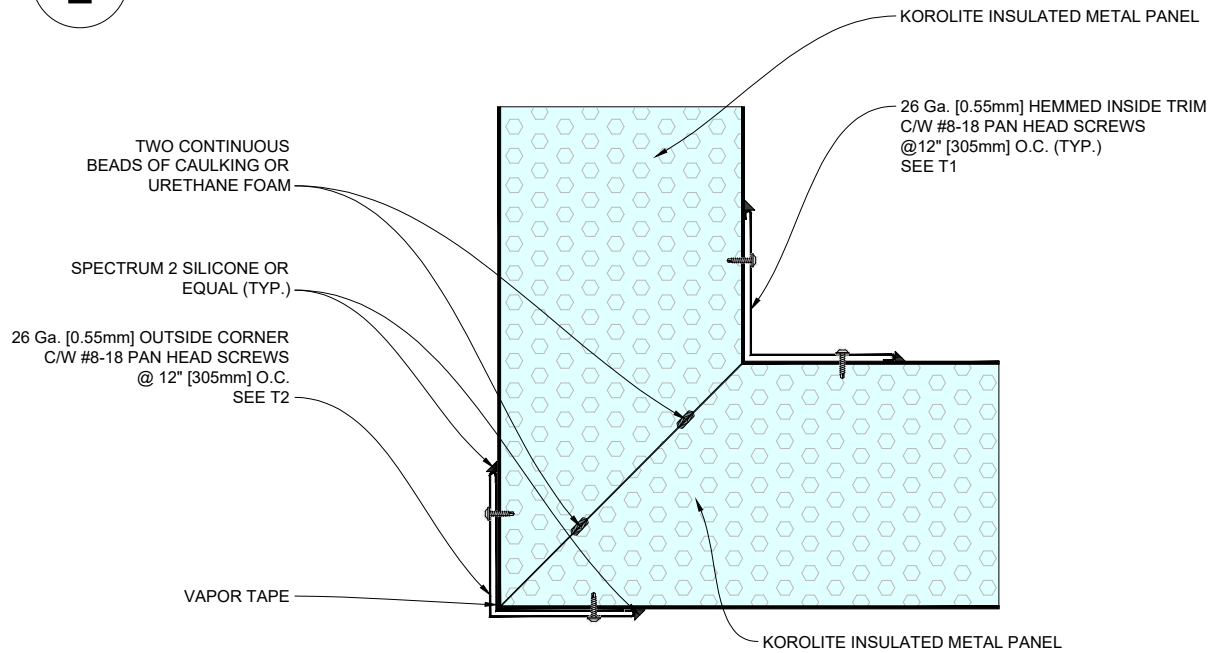
DATE PUBLISHED	2021-06-08	DESIGNED BY	DC
APPROVED BY	ZP	APPROVED DATE	2021-06-09
DRAWN BY	NTS	DRAWN DATE	8.5" x 11"
REVISIONS	01 YYYY-MM-DD Revisions		
	02 YYYY-MM-DD Revisions		
	03 YYYY-MM-DD Revisions		
	04 YYYY-MM-DD Revisions		
PROJECT NO.	K216	PROJECT NAME	KIMP Typical Details
			K216

© Copyright 2021 Airfoam Industries Ltd.
 IT IS THE RESPONSIBILITY OF THE USER TO COMPLY WITH ALL APPLICABLE REGULATIONS AND BUILDING CODE REQUIREMENTS CONCERNING THE USE OF THESE PRODUCTS. IT IS FURTHER THE RESPONSIBILITY OF THE USER TO RESEARCH AND UNDERSTAND SAFE METHODS OF USE AND HANDLING OF THESE PRODUCTS.



NOTE: ALL JOINTS ARE TO BE SEALED WITH CAULKING (INSIDE AND OUTSIDE CORNERS)

1 MITRE JOINT - FREEZER - PLAN VIEW



NOTE: ALL JOINTS ARE TO BE SEALED WITH CAULKING (INSIDE AND OUTSIDE CORNERS)

2 MITRE JOINT - COOLER - PLAN VIEW



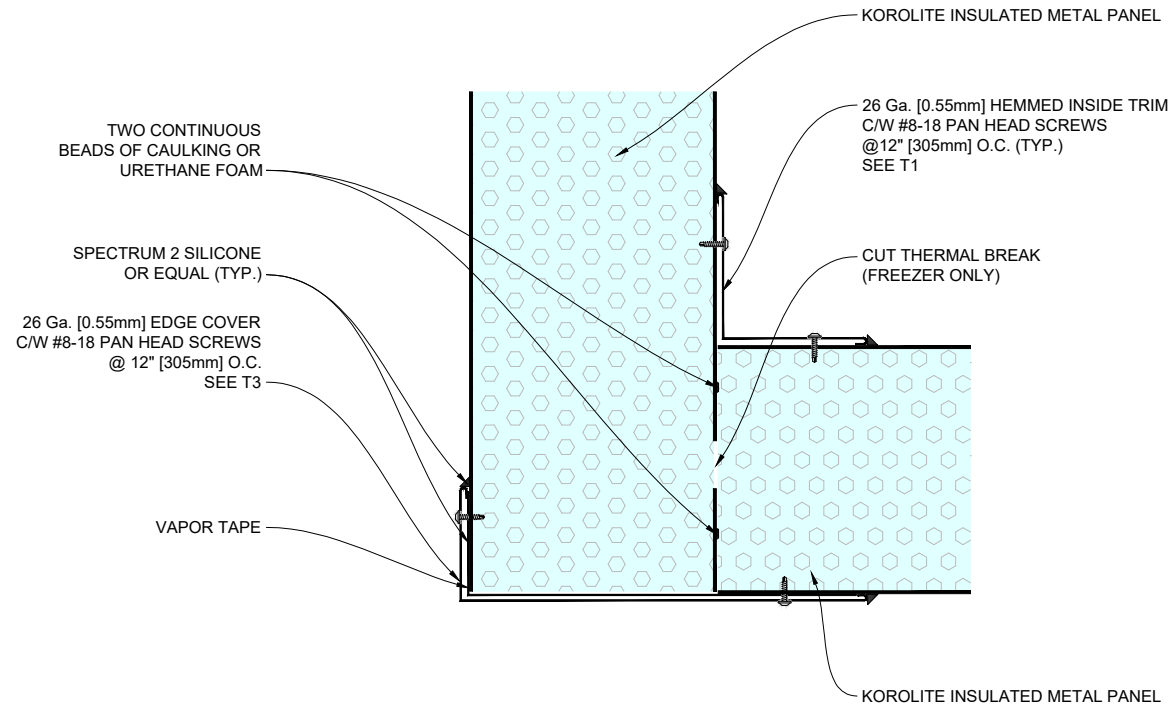
Airfoam Industries Ltd.
 19402 56 Ave, Surrey, BC V3S 6K4
 Phone: (604) 590-2876
 Fax: (604) 590-8412
 www.airfoam.com

KOROLITE® INSULATED METAL PANELS Standard Details

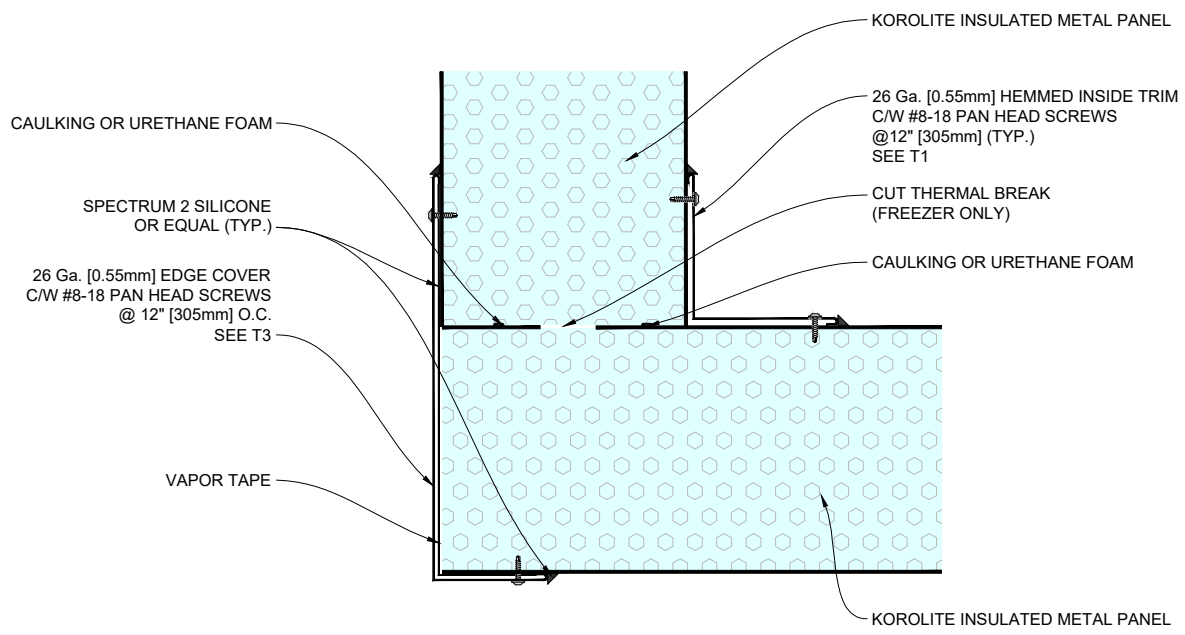
**COOLER WALL CONNECTION - MITRE JOINT
 FREEZER WALL CONNECTION - MITRE JOINT**

DATE PUBLISHED	2021-06-08	DRAWN BY	DC
APPROVED BY	ZP	APPROVED DATE	2021-06-09
SCALE	NTS	SHEET SIZE	8.5" x 11"
REVISIONS	01 YYYY-MM-DD	Revisions	
	02 YYYY-MM-DD	Revisions	
	03 YYYY-MM-DD	Revisions	
	04 YYYY-MM-DD	Revisions	
PROJECT NO.	K301	DETAIL	K301
PROJECT TITLE	KIMP Typical Details		

© Copyright 2021 Airfoam Industries Ltd.
 IT IS THE RESPONSIBILITY OF THE USER TO COMPLY WITH ALL APPLICABLE REGULATIONS AND BUILDING CODE REQUIREMENTS CONCERNING THE USE OF THESE PRODUCTS. IT IS FURTHER THE RESPONSIBILITY OF THE USER TO RESEARCH AND UNDERSTAND SAFE METHODS OF USE AND HANDLING OF THESE PRODUCTS.



1 CORNER BUTT JOINT
OPTION 1



2 CORNER BUTT JOINT
OPTION 2



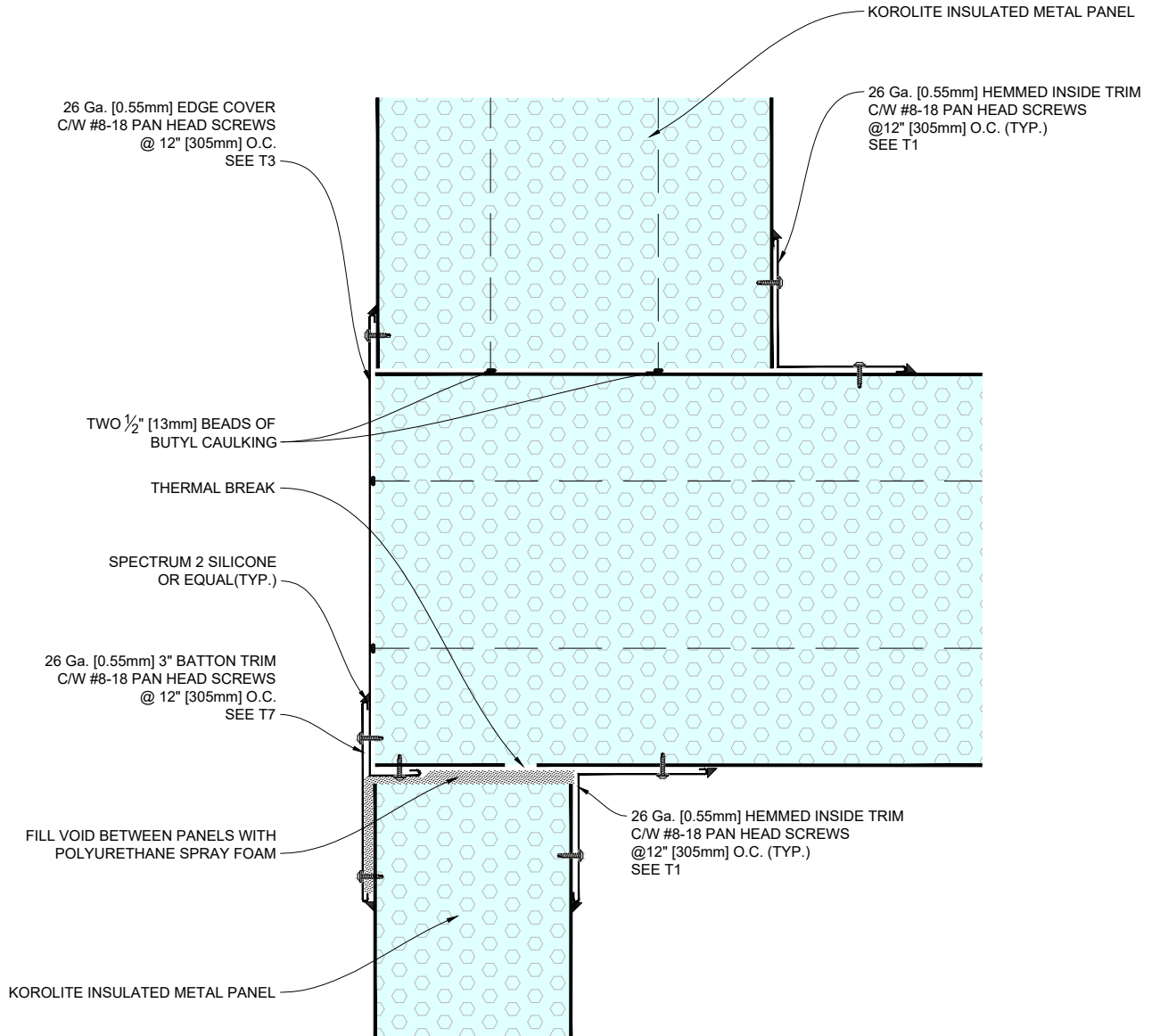
Airfoam Industries Ltd.
19402 56 Ave, Surrey, BC V3S 6K4
Phone: (604) 590-2876
Fax: (604) 590-8412
www.airfoam.com

KOROLITE® INSULATED METAL PANELS
Standard Details

COOLER WALL CONNECTION - CORNER BUTT JOINT
OPTIONS 1 & 2

DATE PUBLISHED	2021-06-08	DRAWN BY	DC
APPROVED BY	ZP	APPROVED DATE	2021-06-09
SCALE	NTS	SHEET SIZE	8.5" x 11"
REVISIONS	01 YYYY-MM-DD	Revisions	
	02 YYYY-MM-DD	Revisions	
	03 YYYY-MM-DD	Revisions	
	04 YYYY-MM-DD	Revisions	
PROJECT NO.	K302	PROJECT TITLE	KIMP Typical Details
			K302

© Copyright 2021 Airfoam Industries Ltd.
IT IS THE RESPONSIBILITY OF THE USER TO COMPLY WITH ALL APPLICABLE REGULATIONS AND BUILDING CODE REQUIREMENTS CONCERNING THE USE OF THESE PRODUCTS. IT IS FURTHER THE RESPONSIBILITY OF THE USER TO RESEARCH AND UNDERSTAND SAFE METHODS OF USE AND HANDLING OF THESE PRODUCTS.



NOTES:

1. EDGE COVER SIZE VARIES DEPENDING ON FREEZER PANEL THICKNESS. THIS DETAIL IS BASED ON USING 8" [203mm] FREEZER PANELS & 4" [100mm] COOLER PANELS.

1

COOLER TO FREEZER CORNER CONNECTION

OPTION 1



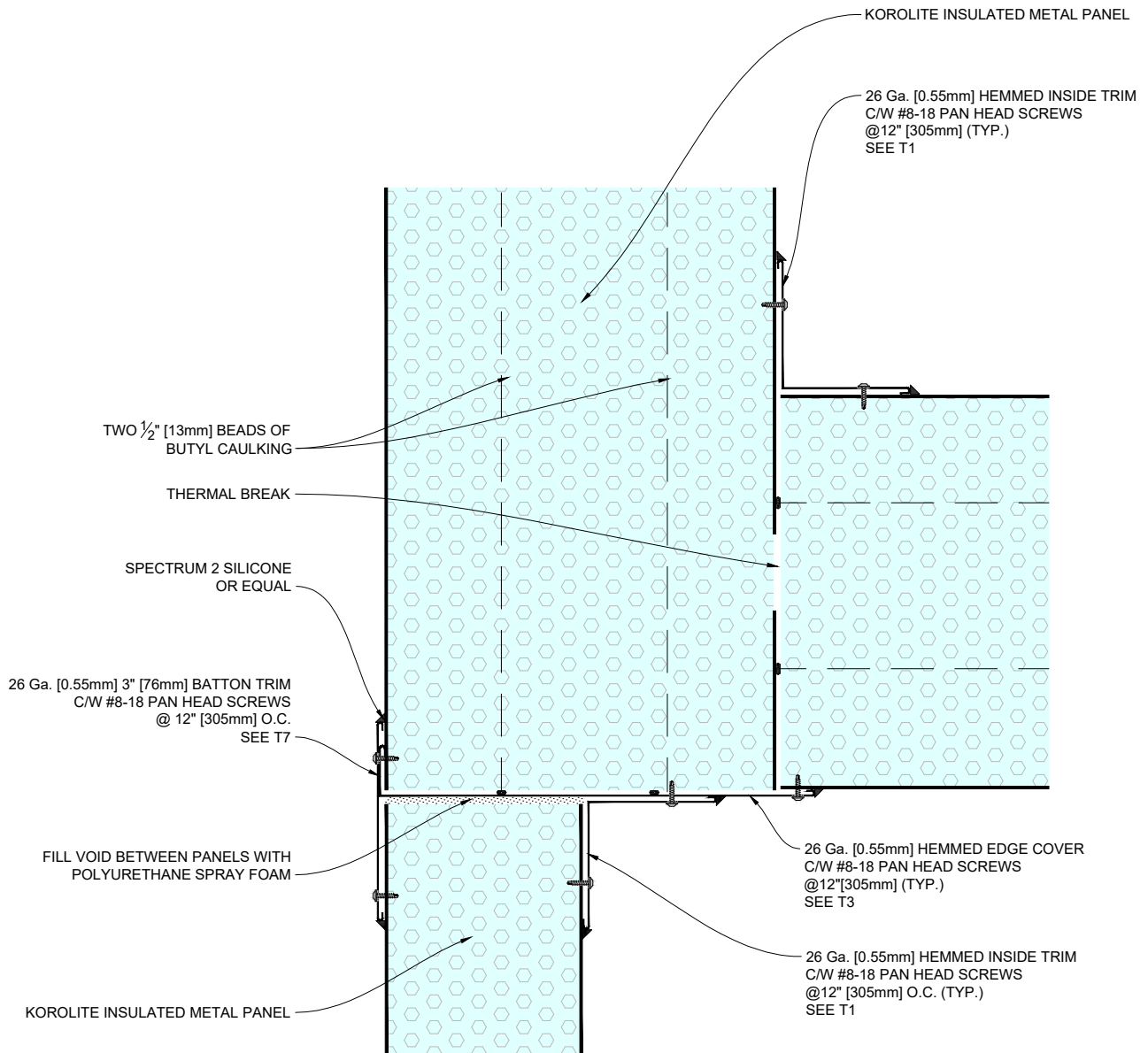
Airfoam Industries Ltd.
 19402 56 Ave, Surrey, BC V3S 6K4
 Phone: (604) 590-2876
 Fax: (604) 590-8412
 www.airfoam.com

KOROLITE® INSULATED METAL PANELS Standard Details

COOLER WALL TO FREEZER WALL CORNER CONNECTION OPTION 1

DATE PUBLISHED	2021-06-08	DESIGNED BY	DC
APPROVED BY	ZP	APPROVED DATE	2021-06-09
DRAWN BY	NTS	SHEET SIZE	8.5" x 11"
REVISIONS	01 YYYY-MM-DD	Revisions	
	02 YYYY-MM-DD	Revisions	
	03 YYYY-MM-DD	Revisions	
	04 YYYY-MM-DD	Revisions	
PROJECT NO.	K303	PROJECT TITLE	KIMP Typical Details
		PROJECT CODE	K303

© Copyright 2021 Airfoam Industries Ltd.
 IT IS THE RESPONSIBILITY OF THE USER TO COMPLY WITH ALL APPLICABLE REGULATIONS AND BUILDING CODE REQUIREMENTS CONCERNING THE USE OF THESE PRODUCTS. IT IS FURTHER THE RESPONSIBILITY OF THE USER TO RESEARCH AND UNDERSTAND SAFE METHODS OF USE AND HANDLING OF THESE PRODUCTS.



NOTES:

1. EDGE COVER SIZE VARIES DEPENDING ON FREEZER PANEL THICKNESS. THIS DETAIL IS BASED ON USING 8" [203] FREEZER PANELS & 4" [100mm] COOLER PANELS.

1

COOLER TO FREEZER CORNER CONNECTION

OPTION 2



Airfoam Industries Ltd.

19402 56 Ave, Surrey, BC V3S 6K4

Phone: (604) 590-2876

Fax: (604) 590-8412

www.airfoam.com

© Copyright 2021 Airfoam Industries Ltd.

IT IS THE RESPONSIBILITY OF THE USER TO COMPLY WITH ALL APPLICABLE REGULATIONS AND BUILDING CODE REQUIREMENTS CONCERNING THE USE OF THESE PRODUCTS. IT IS FURTHER THE RESPONSIBILITY OF THE USER TO RESEARCH AND UNDERSTAND SAFE METHODS OF USE AND HANDLING OF THESE PRODUCTS.

KOROLITE® INSULATED METAL PANELS

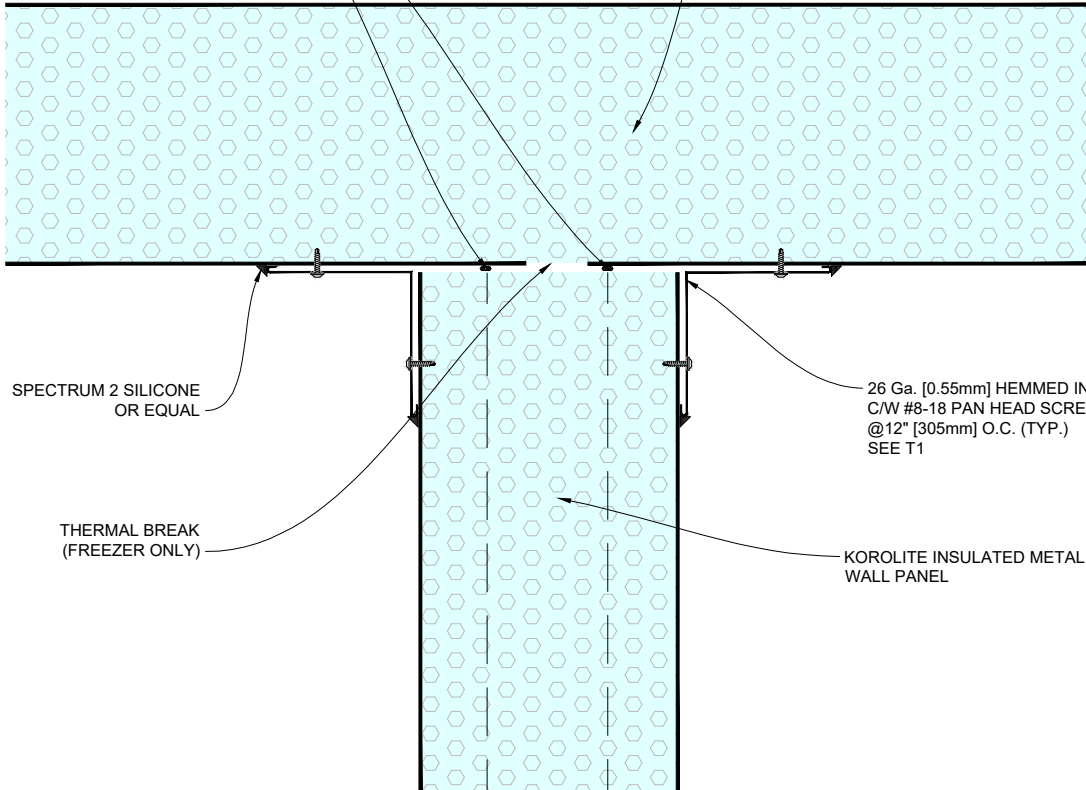
Standard Details

COOLER WALL TO FREEZER WALL CORNER CONNECTION OPTION 2

DATE PUBLISHED	2021-06-08	DRAWN BY	DC
APPROVED BY	ZP	APPROVED DATE	2021-06-09
SCALE	NTS	DRAWING SIZE	8.5" x 11"
REVISIONS	01 YYYY-MM-DD	Revisions	
	02 YYYY-MM-DD	Revisions	
	03 YYYY-MM-DD	Revisions	
	04 YYYY-MM-DD	Revisions	
PROJECT NO.	K304	PROJECT TITLE	KIMP Typical Details
			K304

ONE 1/2" [10mm] BEAD OF BUTYL CAULKING (TWO BEADS FOR FREEZER)

KOROLITE INSULATED METAL CEILING PANEL



SPECTRUM 2 SILICONE OR EQUAL

26 Ga. [0.55mm] HEMMED INSIDE TRIM C/W #8-18 PAN HEAD SCREWS @12" [305mm] O.C. (TYP.) SEE T1

THERMAL BREAK (FREEZER ONLY)

KOROLITE INSULATED METAL WALL PANEL

1

INTERIOR WALL T CONNECTION

PLAN VIEW



Airfoam Industries Ltd.

19402 56 Ave, Surrey, BC V3S 6K4

Phone: (604) 590-2876

Fax: (604) 590-8412

www.airfoam.com

KOROLITE® INSULATED METAL PANELS Standard Details

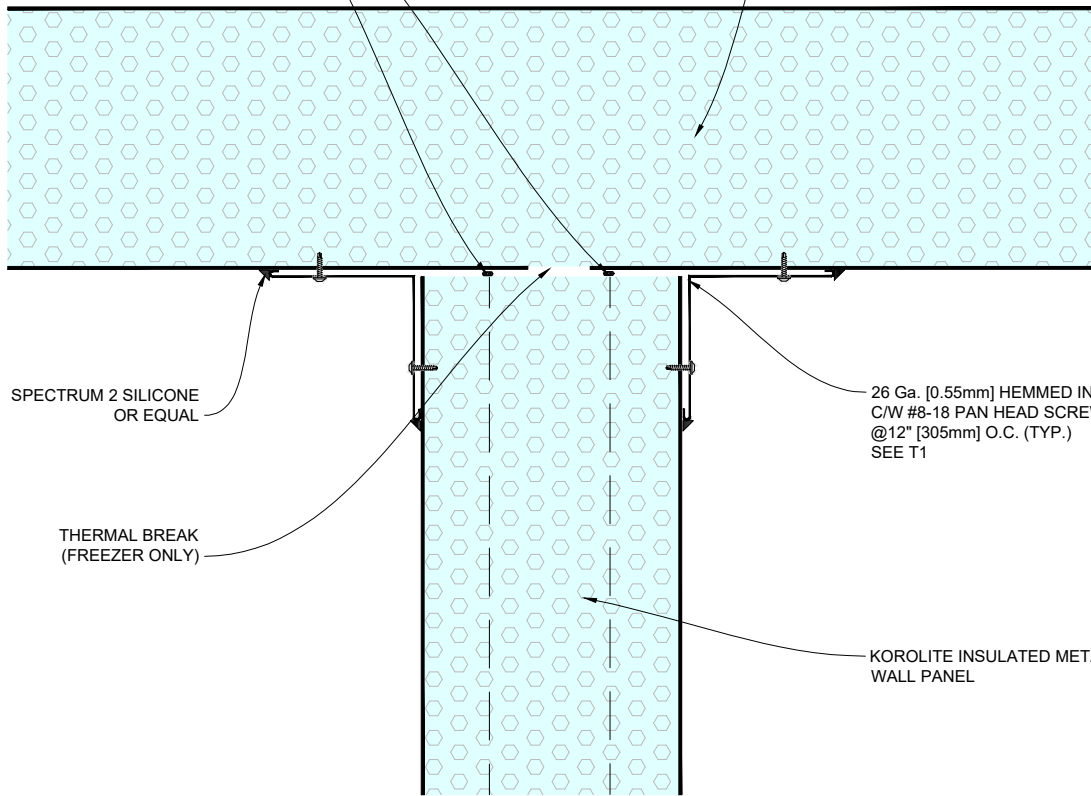
INTERIOR WALL T CONNECTION PLAN VIEW

DATE PUBLISHED	2021-06-08	DRAWN BY	DC
APPROVED BY	ZP	APPROVED DATE	2021-06-09
SCALE	NTS	SHEET SIZE	8.5" x 11"
REVISIONS	01 YYYY-MM-DD	Revisions	
	02 YYYY-MM-DD	Revisions	
	03 YYYY-MM-DD	Revisions	
	04 YYYY-MM-DD	Revisions	
PROJECT NO.	D305	PROJECT TITLE	KIMP Typical Details
			K305

© Copyright 2021 Airfoam Industries Ltd.
IT IS THE RESPONSIBILITY OF THE USER TO COMPLY WITH ALL APPLICABLE REGULATIONS AND BUILDING CODE REQUIREMENTS CONCERNING THE USE OF THESE PRODUCTS. IT IS FURTHER THE RESPONSIBILITY OF THE USER TO RESEARCH AND UNDERSTAND SAFE METHODS OF USE AND HANDLING OF THESE PRODUCTS.

ONE 1/2" [10mm] BEAD OF BUTYL CAULKING
(TWO BEADS FOR FREEZER)

KOROLITE INSULATED METAL
CEILING PANEL



SPECTRUM 2 SILICONE
OR EQUAL

THERMAL BREAK
(FREEZER ONLY)

26 Ga. [0.55mm] HEMMED INSIDE TRIM
C/W #8-18 PAN HEAD SCREWS
@12" [305mm] O.C. (TYP.)
SEE T1

KOROLITE INSULATED METAL
WALL PANEL

1

PARTITION WALL TO UNDERSIDE OF CEILING

ELEVATION



Airfoam Industries Ltd.

19402 56 Ave, Surrey, BC V3S 6K4

Phone: (604) 590-2876

Fax: (604) 590-8412

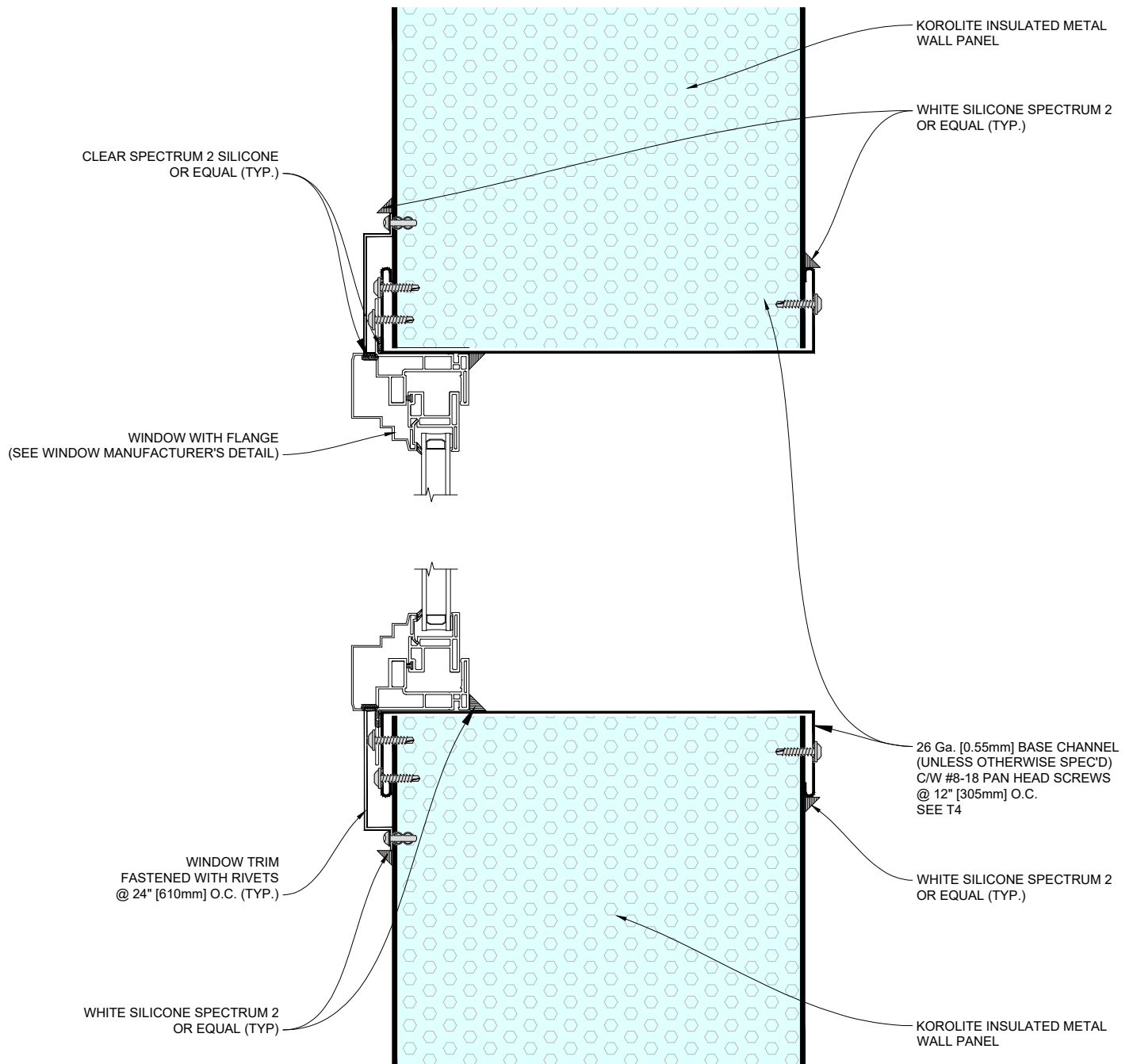
www.airfoam.com

KOROLITE® INSULATED METAL PANELS Standard Details

PARTITION WALL TO UNDERSIDE OF CEILING ELEVATION

DATE PUBLISHED	2021-06-08	DESIGNED BY	DC
APPROVED BY	ZP	APPROVED DATE	2021-06-09
DRAWN BY	NTS	DRAWING SIZE	8.5" x 11"
REVISIONS	01 YYYY-MM-DD	Revisions	
	02 YYYY-MM-DD	Revisions	
	03 YYYY-MM-DD	Revisions	
	04 YYYY-MM-DD	Revisions	
PROJECT NO.	K306	DETAIL	K306
PROJECT TITLE	KIMP Typical Details		

© Copyright 2021 Airfoam Industries Ltd.
IT IS THE RESPONSIBILITY OF THE USER TO COMPLY WITH ALL APPLICABLE REGULATIONS AND BUILDING CODE REQUIREMENTS CONCERNING THE USE OF THESE PRODUCTS. IT IS FURTHER THE RESPONSIBILITY OF THE USER TO RESEARCH AND UNDERSTAND SAFE METHODS OF USE AND HANDLING OF THESE PRODUCTS.



1 WINDOW HEAD AND SILL IN PANEL WALL



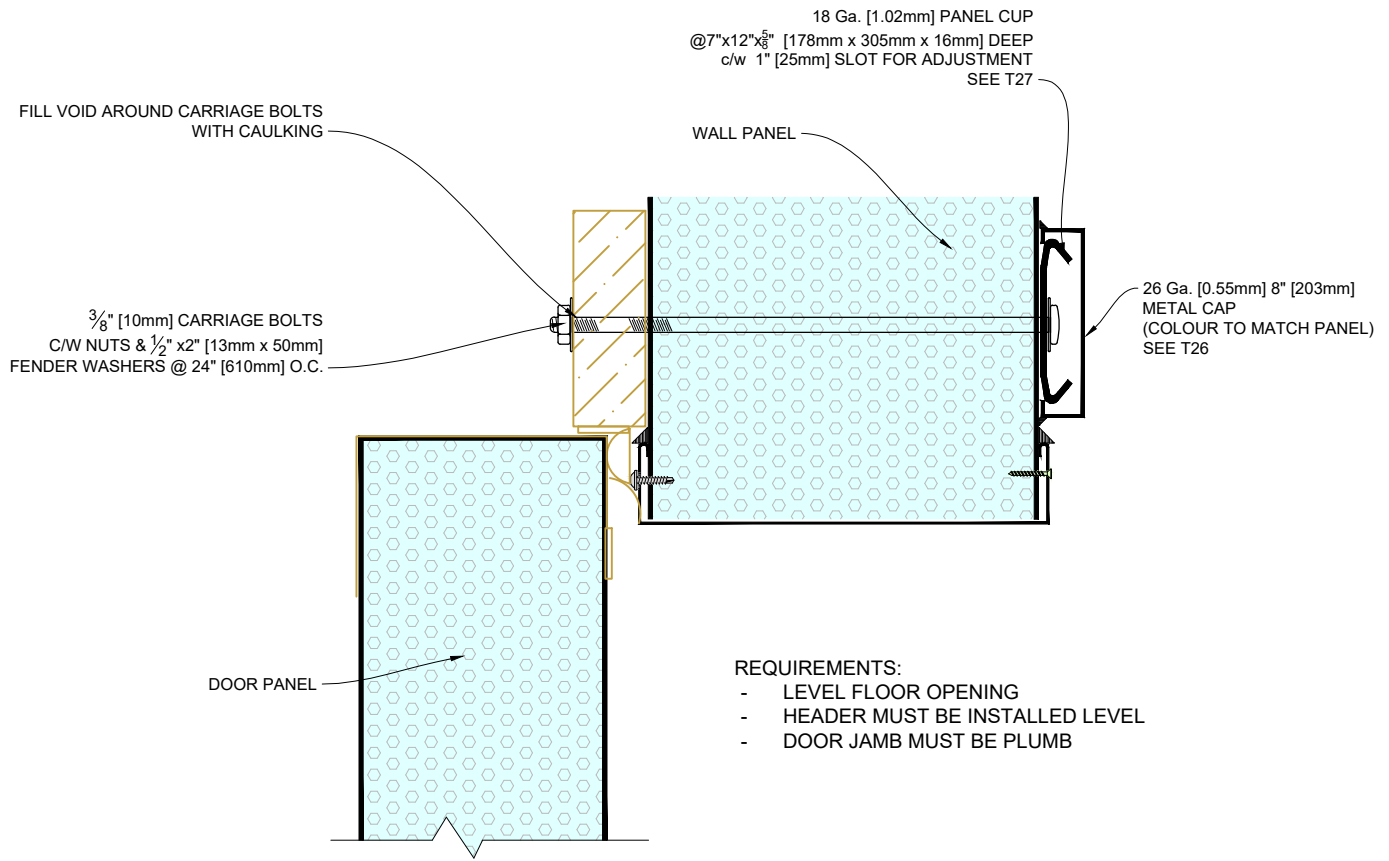
Airfoam Industries Ltd.
 19402 56 Ave, Surrey, BC V3S 6K4
 Phone: (604) 590-2876
 Fax: (604) 590-8412
 www.airfoam.com

KOROLITE® INSULATED METAL PANELS
 Standard Details

WINDOW HEAD AND SILL IN PANEL WALL

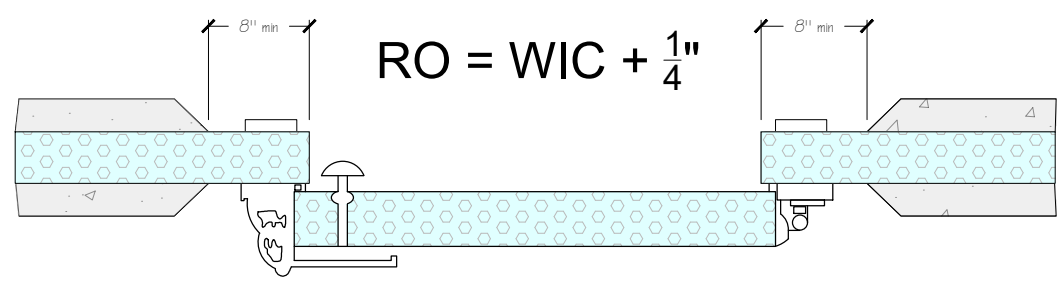
DATE PUBLISHED	2021-06-08	DESIGNED BY	DC
APPROVED BY	ZP	APPROVED DATE	2021-06-09
DRAWN BY	NTS	DRAWING SIZE	8.5" x 11"
REVISIONS	01 YYYY-MM-DD Revisions		
	02 YYYY-MM-DD Revisions		
	03 YYYY-MM-DD Revisions		
	04 YYYY-MM-DD Revisions		
PROJECT NO.	K401	DETAIL	K401
PROJECT TITLE	KIMP Typical Details		

© Copyright 2021 Airfoam Industries Ltd.
 IT IS THE RESPONSIBILITY OF THE USER TO COMPLY WITH ALL APPLICABLE REGULATIONS AND BUILDING CODE REQUIREMENTS CONCERNING THE USE OF THESE PRODUCTS. IT IS FURTHER THE RESPONSIBILITY OF THE USER TO RESEARCH AND UNDERSTAND SAFE METHODS OF USE AND HANDLING OF THESE PRODUCTS.



VERTICAL SECTION

- REQUIREMENTS:**
- LEVEL FLOOR OPENING
 - HEADER MUST BE INSTALLED LEVEL
 - DOOR JAMB MUST BE PLUMB



HORIZONTAL SECTION

1 HINGED DOOR IN INSULATED METAL PANEL WALL



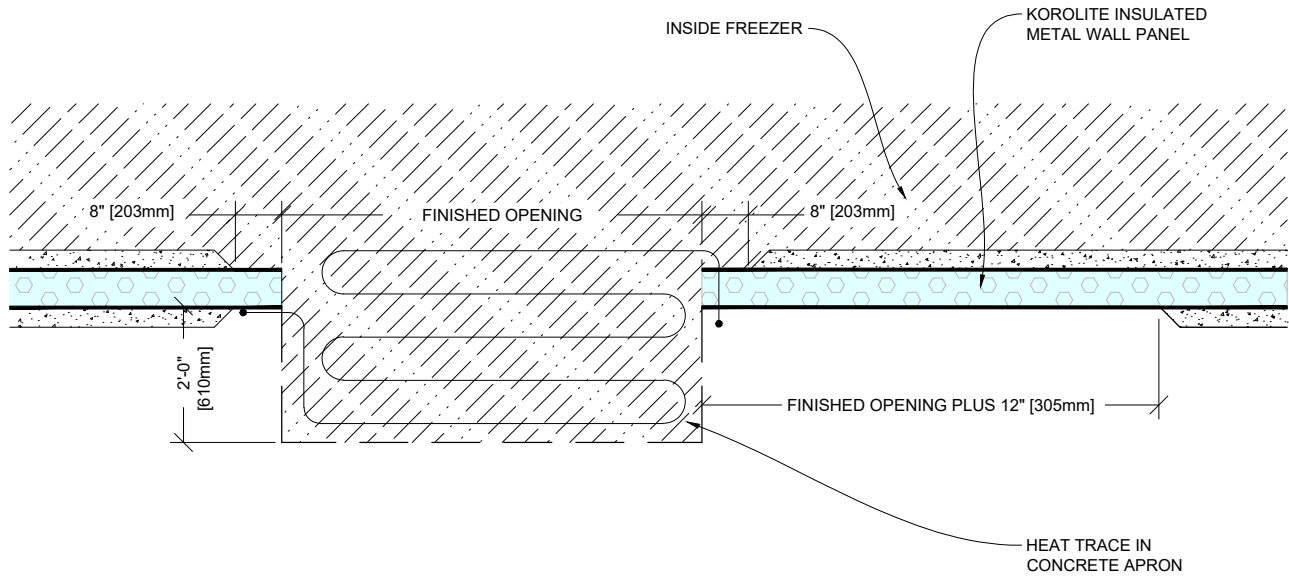
Airfoam Industries Ltd.
 19402 56 Ave, Surrey, BC V3S 6K4
 Phone: (604) 590-2876
 Fax: (604) 590-8412
 www.airfoam.com

KOROLITE® INSULATED METAL PANELS
 Standard Details

HINGED DOOR IN INSULATED METAL PANEL WALL

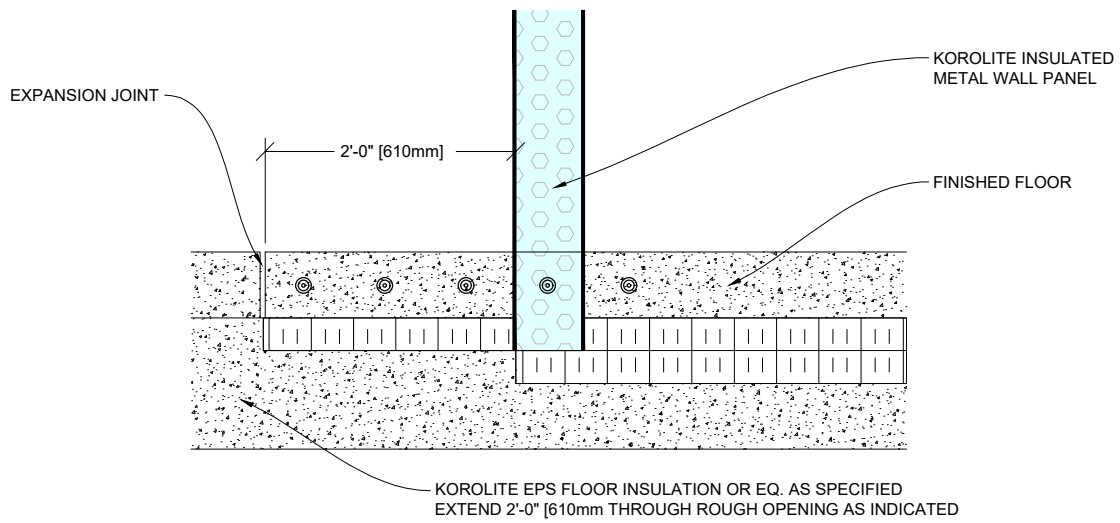
DATE PUBLISHED	2021-06-08	DESIGNED BY	DC
APPROVED BY	ZP	APPROVED DATE	2021-06-09
DRAWN BY	NTS	DRAWING SIZE	8.5" x 11"
REVISIONS	01 YYYY-MM-DD Revisions		
	02 YYYY-MM-DD Revisions		
	03 YYYY-MM-DD Revisions		
	04 YYYY-MM-DD Revisions		
PROJECT NO.	K-407	PROJECT TITLE	K402
	KIMP Typical Details		

© Copyright 2021 Airfoam Industries Ltd.
 IT IS THE RESPONSIBILITY OF THE USER TO COMPLY WITH ALL APPLICABLE REGULATIONS AND BUILDING CODE REQUIREMENTS CONCERNING THE USE OF THESE PRODUCTS. IT IS FURTHER THE RESPONSIBILITY OF THE USER TO RESEARCH AND UNDERSTAND SAFE METHODS OF USE AND HANDLING OF THESE PRODUCTS.



PLAN VIEW

NTS



SECTION 'A'

NTS

1

CURB AND FLOOR RELIEF AT FREEZER DOORS



Airfoam Industries Ltd.

19402 56 Ave, Surrey, BC V3S 6K4

Phone: (604) 590-2876

Fax: (604) 590-8412

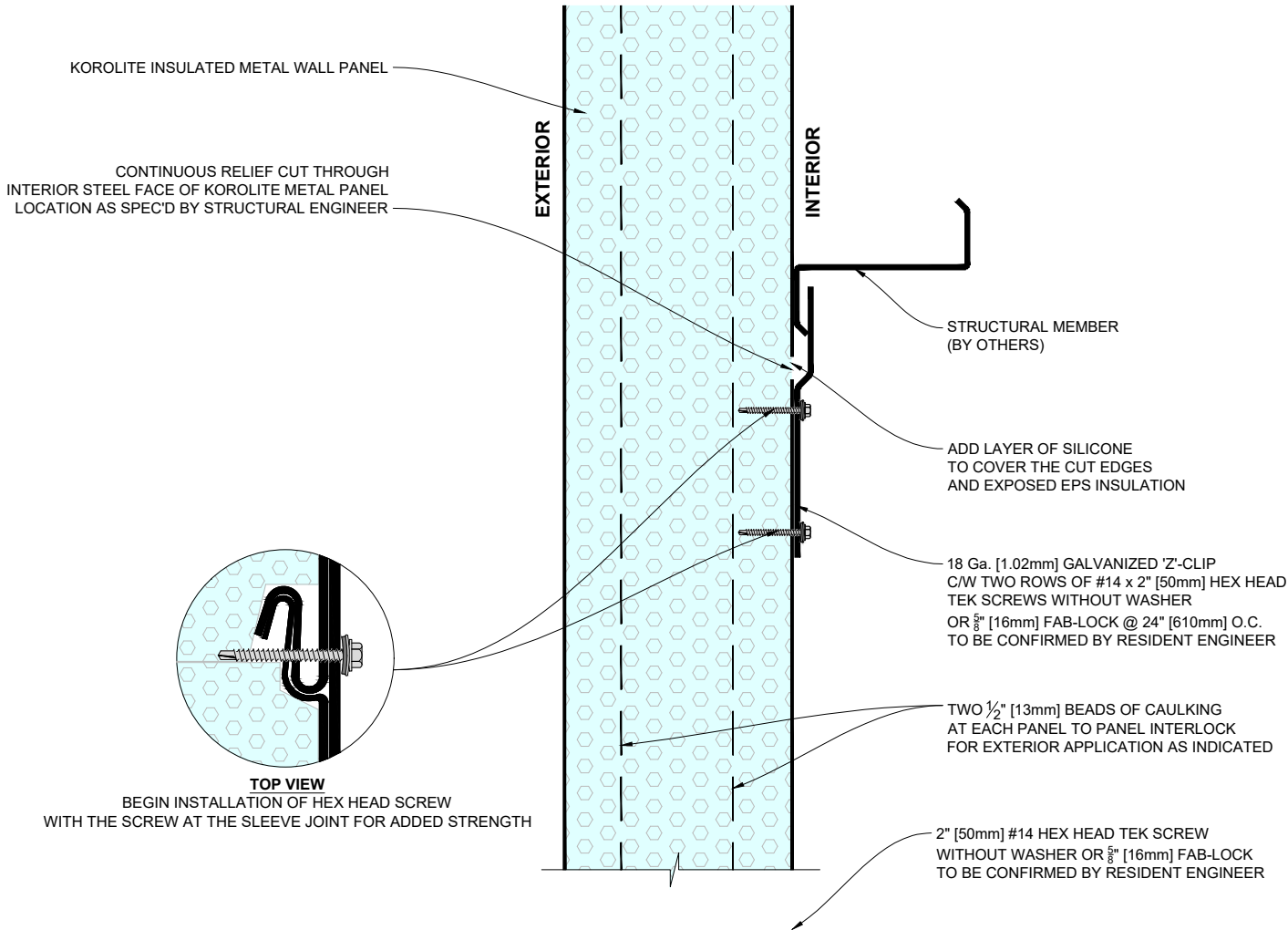
www.airfoam.com

KOROLITE® INSULATED METAL PANELS
Standard Details

CURB AND FLOOR RELIEF AT FREEZER DOORS

DATE PUBLISHED	2021-06-08	DRAWN BY	DC
APPROVED BY	ZP	APPROVED DATE	2021-06-09
SCALE	NTS	SHEET SIZE	8.5" x 11"
REVISIONS	01 YYYY-MM-DD Revisions		
	02 YYYY-MM-DD Revisions		
	03 YYYY-MM-DD Revisions		
	04 YYYY-MM-DD Revisions		
PROJECT NO.	K403		
PROJECT TITLE	KIMP Typical Details		
			K403

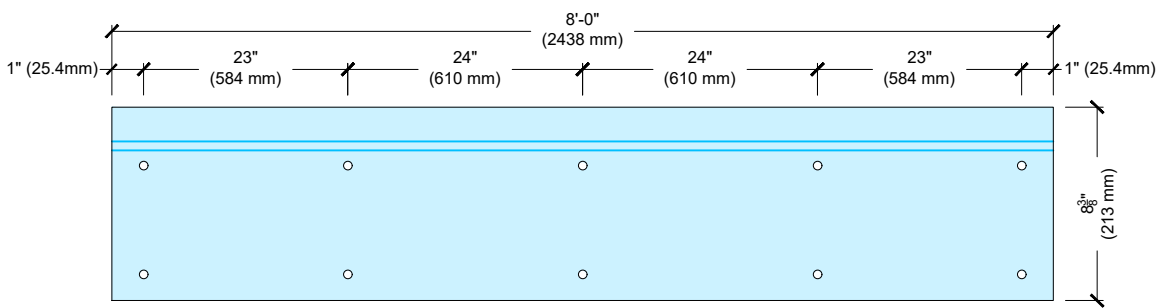
© Copyright 2021 Airfoam Industries Ltd.
IT IS THE RESPONSIBILITY OF THE USER TO COMPLY WITH ALL APPLICABLE REGULATIONS AND BUILDING CODE REQUIREMENTS CONCERNING THE USE OF THESE PRODUCTS. IT IS FURTHER THE RESPONSIBILITY OF THE USER TO RESEARCH AND UNDERSTAND SAFE METHODS OF USE AND HANDLING OF THESE PRODUCTS.



TOP VIEW
 BEGIN INSTALLATION OF HEX HEAD SCREW
 WITH THE SCREW AT THE SLEEVE JOINT FOR ADDED STRENGTH

1 MID-GIRT DETAIL

NOTE:
 'Z'-CLIPS MUST BE INSTALLED AT TIME OF PANEL INSTALLATION



2 ELEVATION OF 'Z' - CLIP

**TO BE APPROVED
 BY A LICENSED STRUCTURAL ENGINEER**



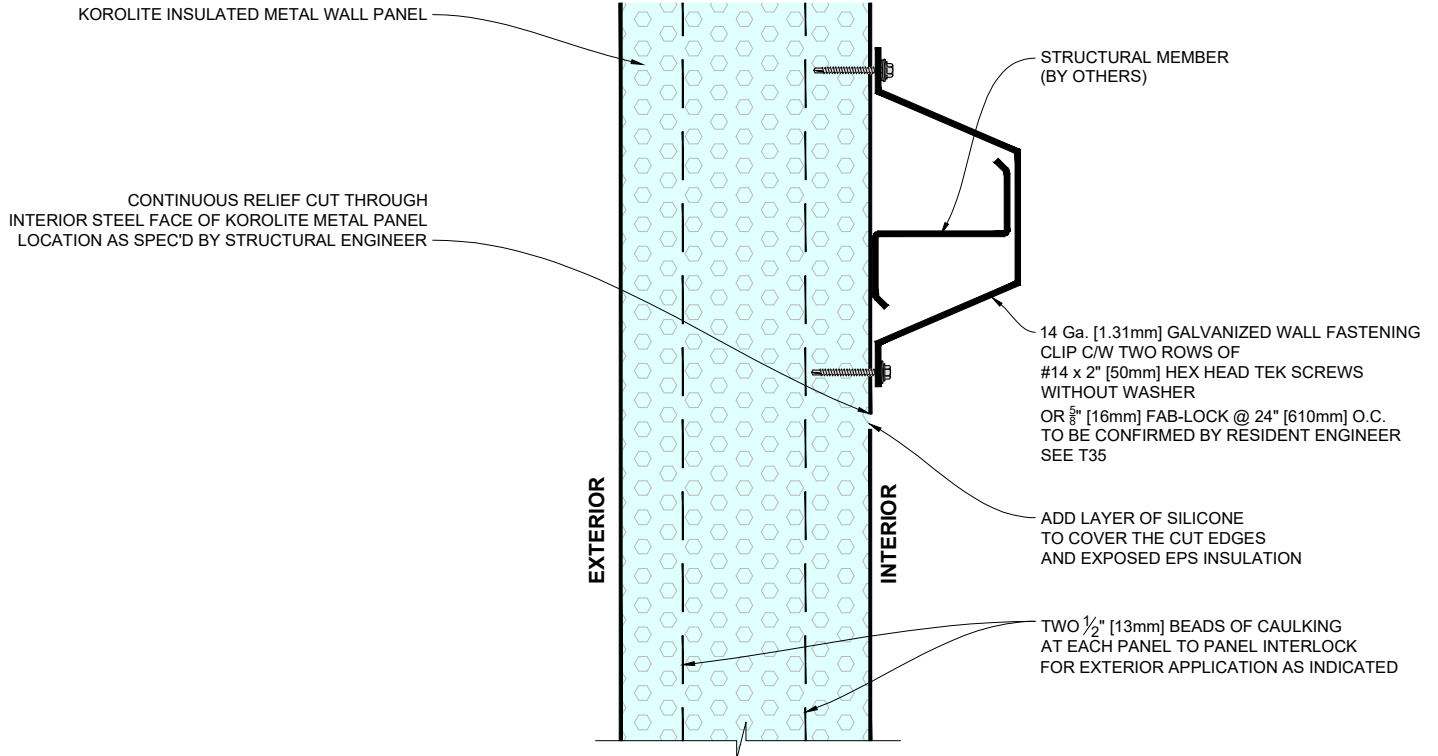
Airfoam Industries Ltd.
 19402 56 Ave, Surrey, BC V3S 6K4
 Phone: (604) 590-2876
 Fax: (604) 590-8412
 www.airfoam.com

KOROLITE® INSULATED METAL PANELS Standard Details

STANDARD MID GIRT DETAIL WITH 'Z' CLIP

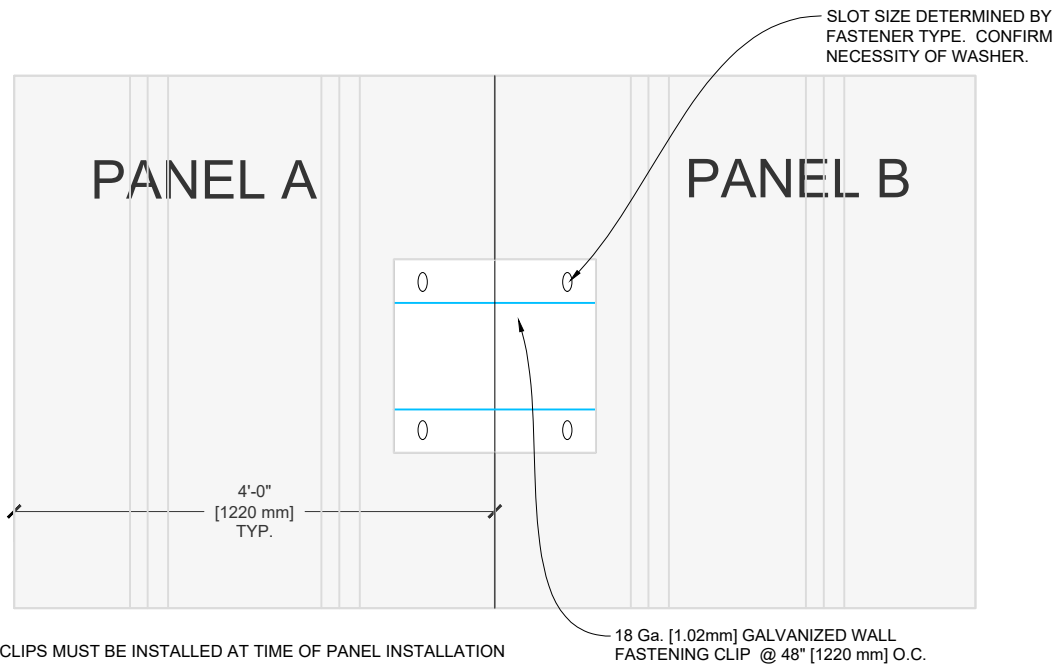
DATE: 2021-06-08	DESIGN BY: DC
APPROVED BY: ZP	APPROVED DATE: 2021-06-09
SCALE: NTS	DEPT. CODE: 8.5" x 11"
REVISIONS:	
01 YYYY-MM-DD	Revisions
02 YYYY-MM-DD	Revisions
03 YYYY-MM-DD	Revisions
04 YYYY-MM-DD	Revisions
PROJECT NO: K501	DETAIL: K501
PREPARED BY: KIMP Typical Details	

© Copyright 2021 Airfoam Industries Ltd.
 IT IS THE RESPONSIBILITY OF THE USER TO COMPLY WITH ALL APPLICABLE REGULATIONS AND BUILDING CODE REQUIREMENTS CONCERNING THE USE OF THESE PRODUCTS. IT IS FURTHER THE RESPONSIBILITY OF THE USER TO RESEARCH AND UNDERSTAND SAFE METHODS OF USE AND HANDLING OF THESE PRODUCTS.



1

MID GIRT DETAIL - WALL FASTENING CLIP



2

ELEVATION WALL FASTENING CLIP

**TO BE APPROVED
BY A LICENSED STRUCTURAL ENGINEER**



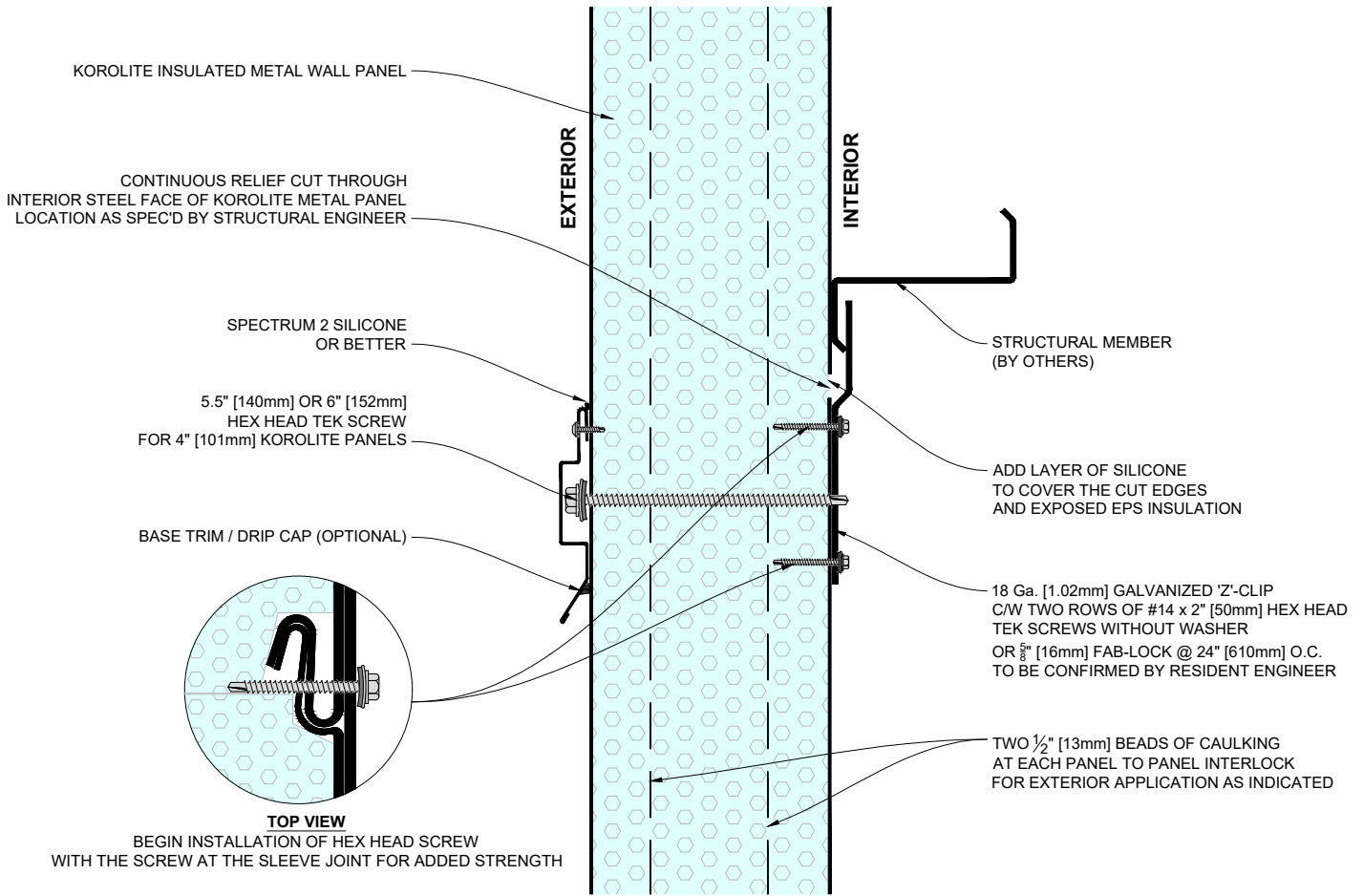
Airfoam Industries Ltd.
19402 56 Ave, Surrey, BC V3S 6K4
Phone: (604) 590-2876
Fax: (604) 590-8412
www.airfoam.com

KOROLITE® INSULATED METAL PANELS
Standard Details

**MID GIRT DETAIL
WITH WALL FASTENING CLIP**

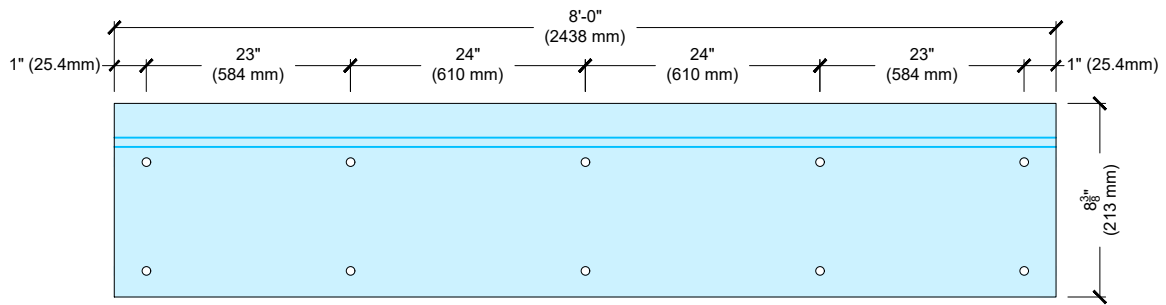
DATE PUBLISHED	2021-06-08	DRAWN BY	DC
APPROVED BY	ZP	APPROVED DATE	2021-06-09
SCALE	NTS	SHEET SIZE	8.5" x 11"
REVISIONS	01 YYYY-MM-DD Revisions		
	02 YYYY-MM-DD Revisions		
	03 YYYY-MM-DD Revisions		
	04 YYYY-MM-DD Revisions		
PROJECT NO.	K502	PROJECT NAME	KIMP Typical Details
			K502

© Copyright 2021 Airfoam Industries Ltd.
IT IS THE RESPONSIBILITY OF THE USER TO COMPLY WITH ALL APPLICABLE REGULATIONS AND BUILDING CODE REQUIREMENTS CONCERNING THE USE OF THESE PRODUCTS. IT IS FURTHER THE RESPONSIBILITY OF THE USER TO RESEARCH AND UNDERSTAND SAFE METHODS OF USE AND HANDLING OF THESE PRODUCTS.



1 MID-GIRT DETAIL

NOTE:
'Z'-CLIPS MUST BE INSTALLED AT TIME OF PANEL INSTALLATION



2 ELEVATION OF 'Z' - CLIP

THIS DETAIL MAY BE USED IN SPECIFIC CIRCUMSTANCES AT MID-HEIGHT WHEN WALL EXCEEDS 30ft [9.1m] IN HEIGHT
TO BE APPROVED BY A LICENSED STRUCTURAL ENGINEER



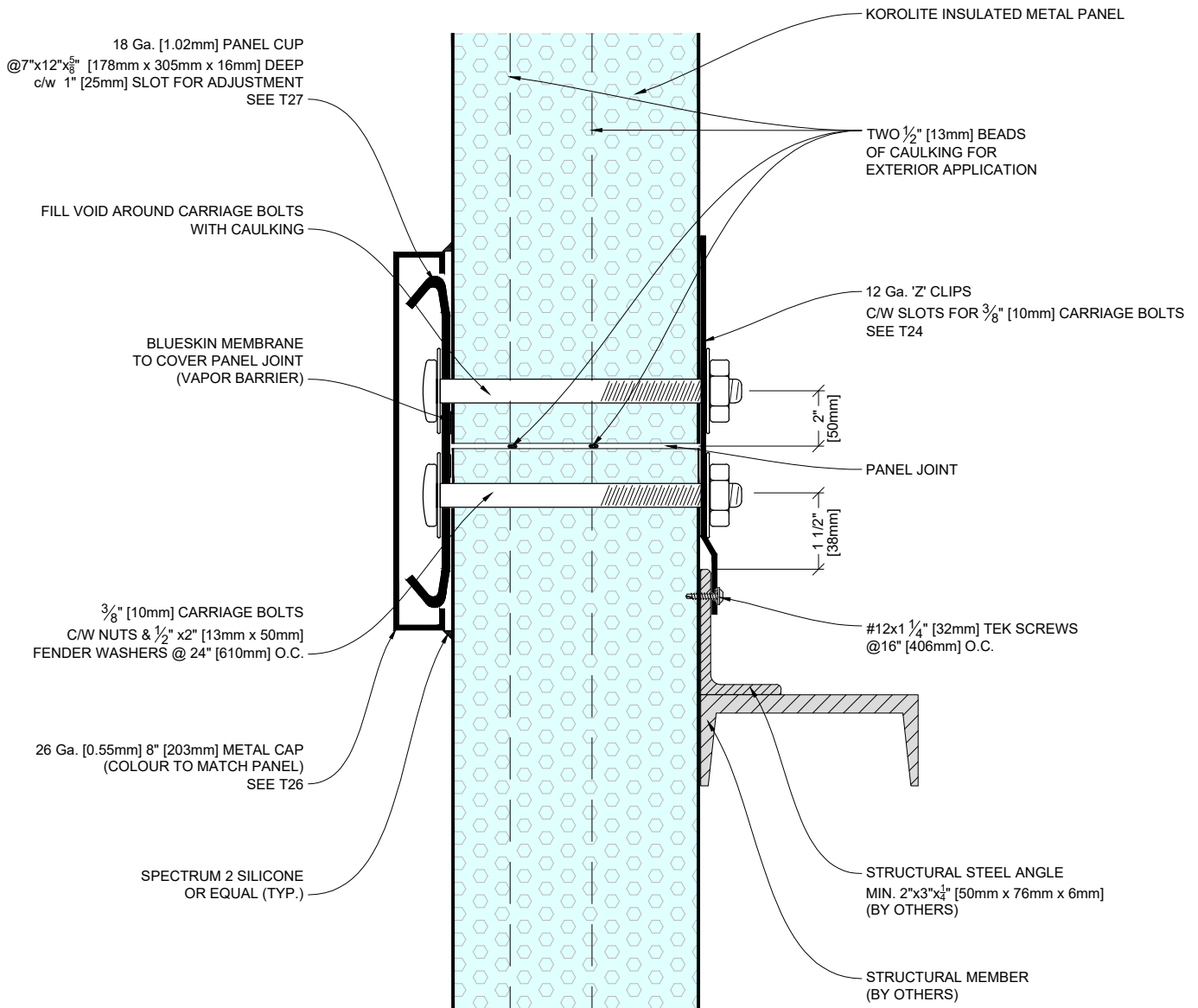
Airfoam Industries Ltd.
19402 56 Ave, Surrey, BC V3S 6K4
Phone: (604) 590-2876
Fax: (604) 590-8412
www.airfoam.com

KOROLITE® INSULATED METAL PANELS Standard Details

**STANDARD MID GIRT DETAIL
THROUGH BOLT WITH 'Z' CLIP**

DATE PUBLISHED	2021-06-08	DESIGNED BY	DC
APPROVED BY	ZP	APPROVED DATE	2021-06-09
DRAWN BY	NTS	SHEET SIZE	8.5" x 11"
REVISIONS	01 YYYY-MM-DD Revisions		
	02 YYYY-MM-DD Revisions		
	03 YYYY-MM-DD Revisions		
	04 YYYY-MM-DD Revisions		
PROJECT NO.	K503	PROJECT TITLE	KIMP Typical Details
			K503

© Copyright 2021 Airfoam Industries Ltd.
IT IS THE RESPONSIBILITY OF THE USER TO COMPLY WITH ALL APPLICABLE REGULATIONS AND BUILDING CODE REQUIREMENTS CONCERNING THE USE OF THESE PRODUCTS. IT IS FURTHER THE RESPONSIBILITY OF THE USER TO RESEARCH AND UNDERSTAND SAFE METHODS OF USE AND HANDLING OF THESE PRODUCTS.



NOTE:
 'Z'-CLIPS MUST BE INSTALLED AT TIME OF PANEL INSTALLATION

1 STACKED PANEL CONNECTION

**TO BE APPROVED
 BY A LICENSED STRUCTURAL ENGINEER**



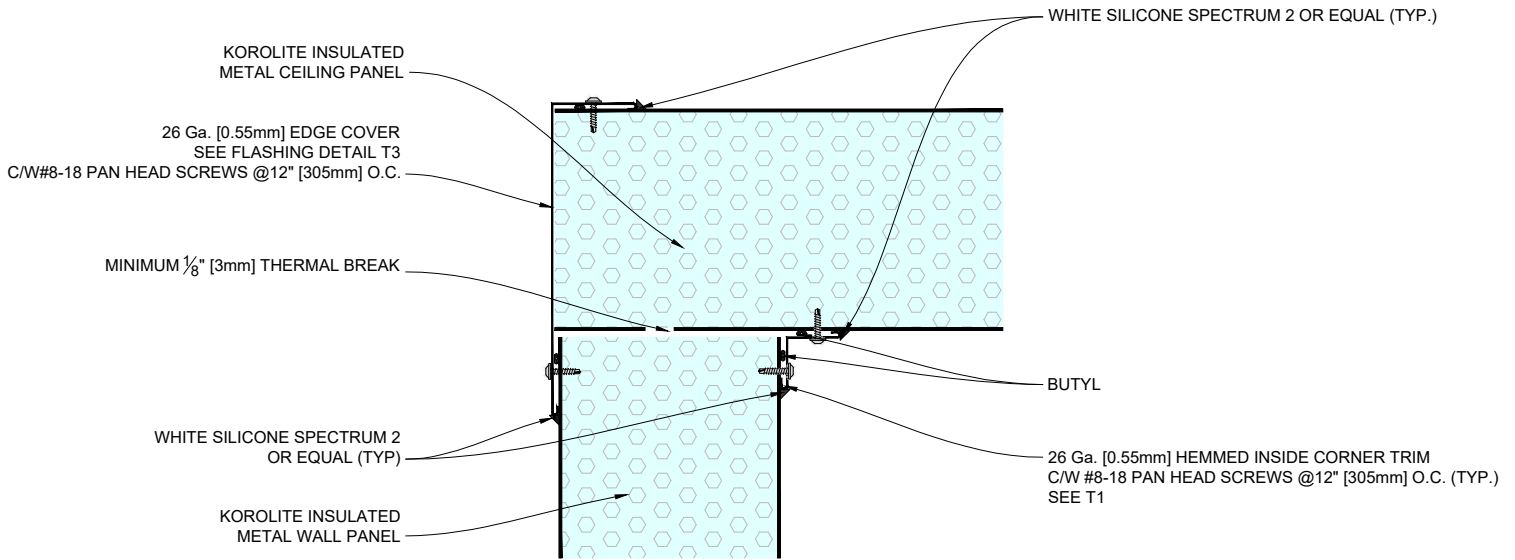
Airfoam Industries Ltd.
 19402 56 Ave, Surrey, BC V3S 6K4
 Phone: (604) 590-2876
 Fax: (604) 590-8412
 www.airfoam.com

KOROLITE® INSULATED METAL PANELS Standard Details

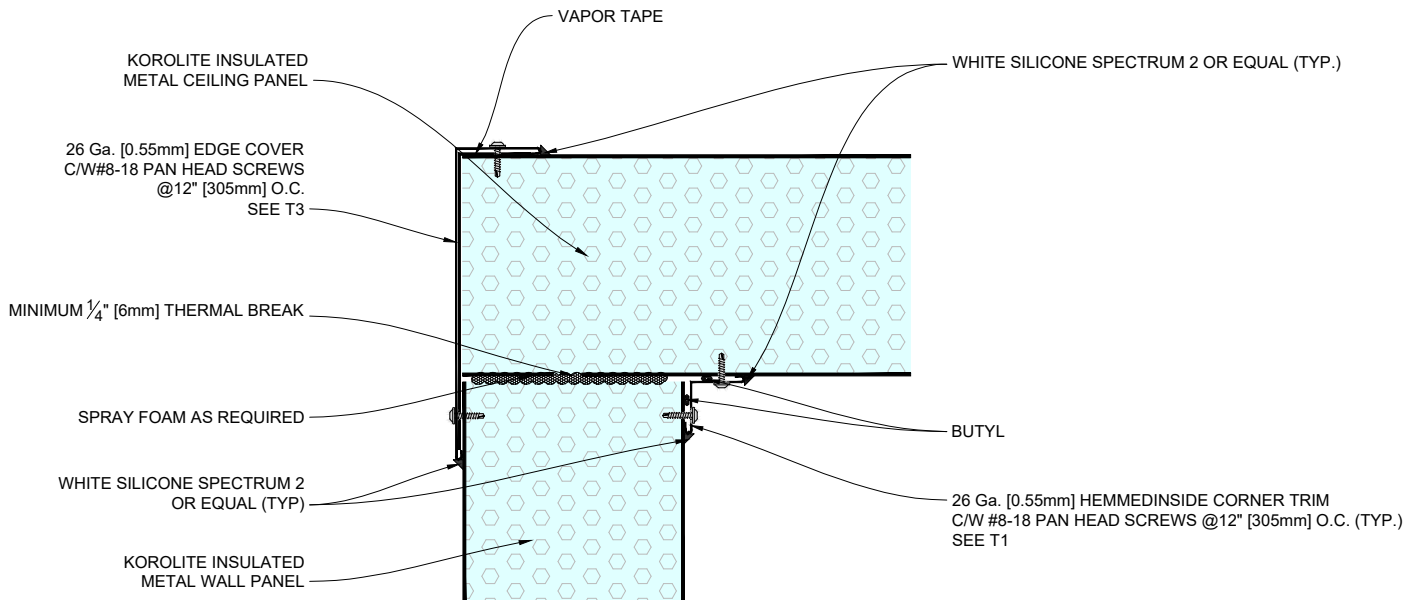
STACKED PANEL DETAIL

DATE PUBLISHED	2021-06-08	DRAWN BY	DC
APPROVED BY	ZP	APPROVED DATE	2021-06-09
SCALE	NTS	SHEET SIZE	8.5" x 11"
REVISIONS	01 YYYY-MM-DD Revisions		
	02 YYYY-MM-DD Revisions		
	03 YYYY-MM-DD Revisions		
	04 YYYY-MM-DD Revisions		
PROJECT NO.	K504	PROJECT NAME	KIMP Typical Details
			K504

© Copyright 2021 Airfoam Industries Ltd.
 IT IS THE RESPONSIBILITY OF THE USER TO COMPLY WITH ALL APPLICABLE REGULATIONS AND BUILDING CODE REQUIREMENTS CONCERNING THE USE OF THESE PRODUCTS. IT IS FURTHER THE RESPONSIBILITY OF THE USER TO RESEARCH AND UNDERSTAND SAFE METHODS OF USE AND HANDLING OF THESE PRODUCTS.



1 FREEZER WALL TO CEILING PANEL CONNECTION



2 COOLER WALL TO CEILING PANEL CONNECTION



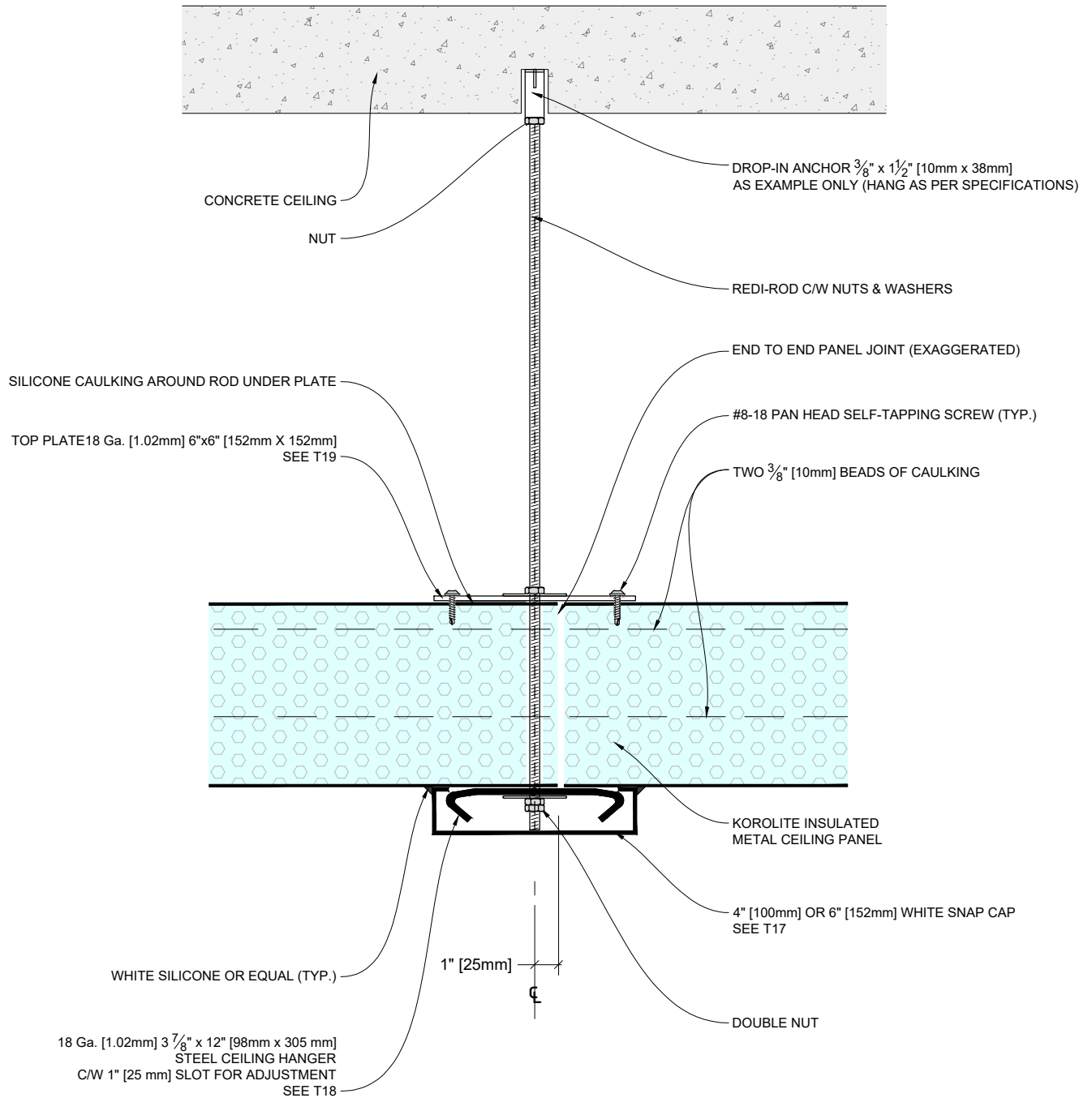
Airfoam Industries Ltd.
19402 56 Ave, Surrey, BC V3S 6K4
Phone: (604) 590-2876
Fax: (604) 590-8412
www.airfoam.com

KOROLITE® INSULATED METAL PANELS Standard Details

FREEZER AND COOLER WALL TO CEILING PANEL CONNECTION

DATE PUBLISHED	2021-06-08	DESIGNED BY	DC
APPROVED BY	ZP	APPROVED DATE	2021-06-09
DRAWN BY	NTS	DRAWN DATE	8.5" x 11"
REVISIONS	01 YYYY-MM-DD Revisions	02 YYYY-MM-DD Revisions	03 YYYY-MM-DD Revisions
		04 YYYY-MM-DD Revisions	
PROJECT NO.	K601	PROJECT NAME	K601
	KIMP Typical Details		

© Copyright 2021 Airfoam Industries Ltd.
IT IS THE RESPONSIBILITY OF THE USER TO COMPLY WITH ALL APPLICABLE REGULATIONS AND BUILDING CODE REQUIREMENTS CONCERNING THE USE OF THESE PRODUCTS. IT IS FURTHER THE RESPONSIBILITY OF THE USER TO RESEARCH AND UNDERSTAND SAFE METHODS OF USE AND HANDLING OF THESE PRODUCTS.



1

COOLER CEILING HANGER IN CONCRETE DECK



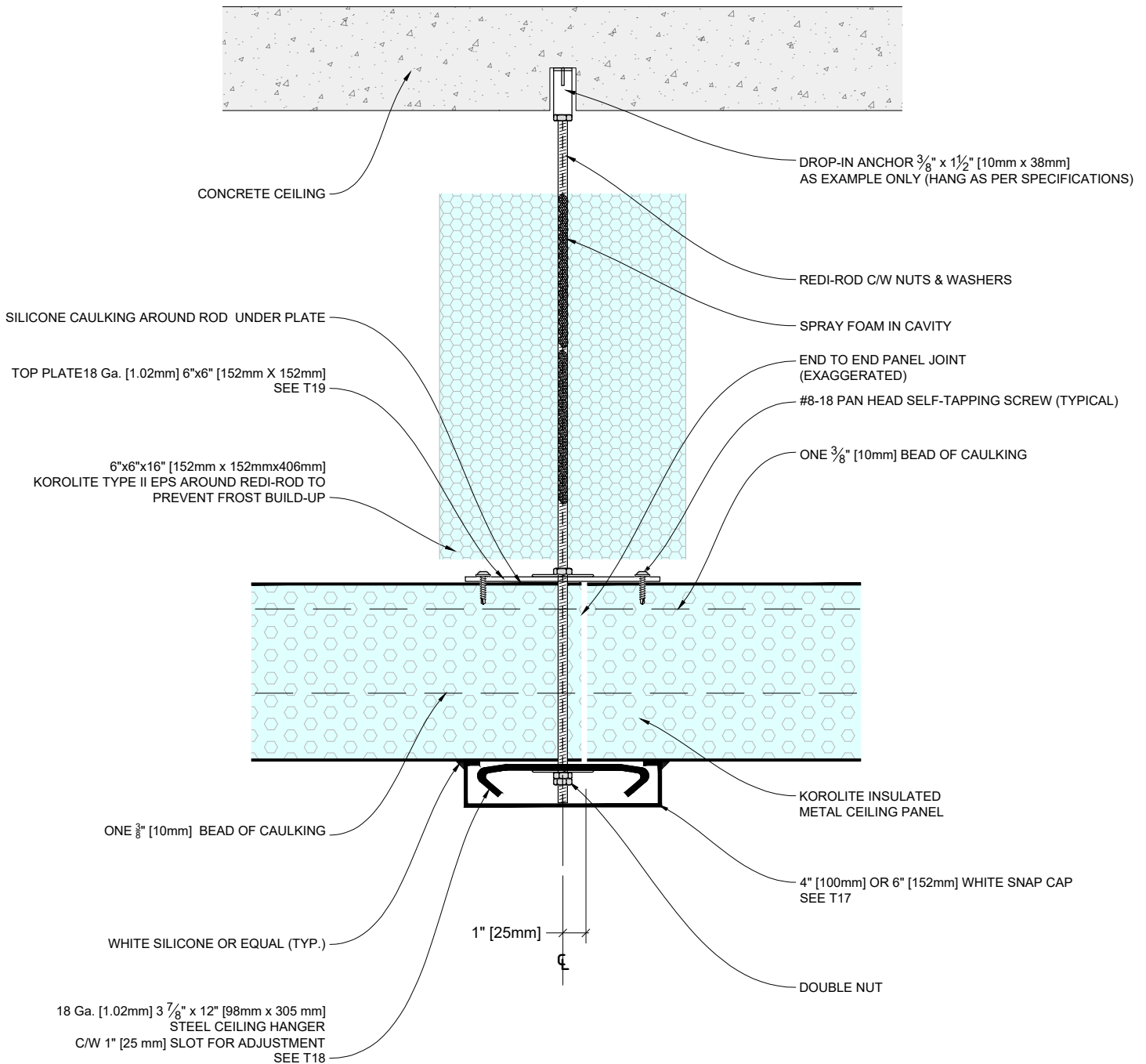
Airfoam Industries Ltd.
19402 56 Ave, Surrey, BC V3S 6K4
Phone: (604) 590-2876
Fax: (604) 590-8412
www.airfoam.com

KOROLITE® INSULATED METAL PANELS
Standard Details

COOLER CEILING HANGER IN CONCRETE DECK

DATE PUBLISHED	2021-06-08	DRAWN BY	DC
APPROVED BY	ZP	APPROVED DATE	2021-06-09
SCALE	NTS	DRAWING SIZE	8.5" x 11"
REVISIONS	01 YYYY-MM-DD	Revisions	
	02 YYYY-MM-DD	Revisions	
	03 YYYY-MM-DD	Revisions	
	04 YYYY-MM-DD	Revisions	
PROJECT NO.	K602	PROJECT NAME	K602
PROJECT TITLE	KIMP Typical Details		

© Copyright 2021 Airfoam Industries Ltd.
IT IS THE RESPONSIBILITY OF THE USER TO COMPLY WITH ALL APPLICABLE REGULATIONS AND BUILDING CODE REQUIREMENTS CONCERNING THE USE OF THESE PRODUCTS. IT IS FURTHER THE RESPONSIBILITY OF THE USER TO RESEARCH AND UNDERSTAND SAFE METHODS OF USE AND HANDLING OF THESE PRODUCTS.



1

FREEZER CEILING HANGER IN CONCRETE DECK



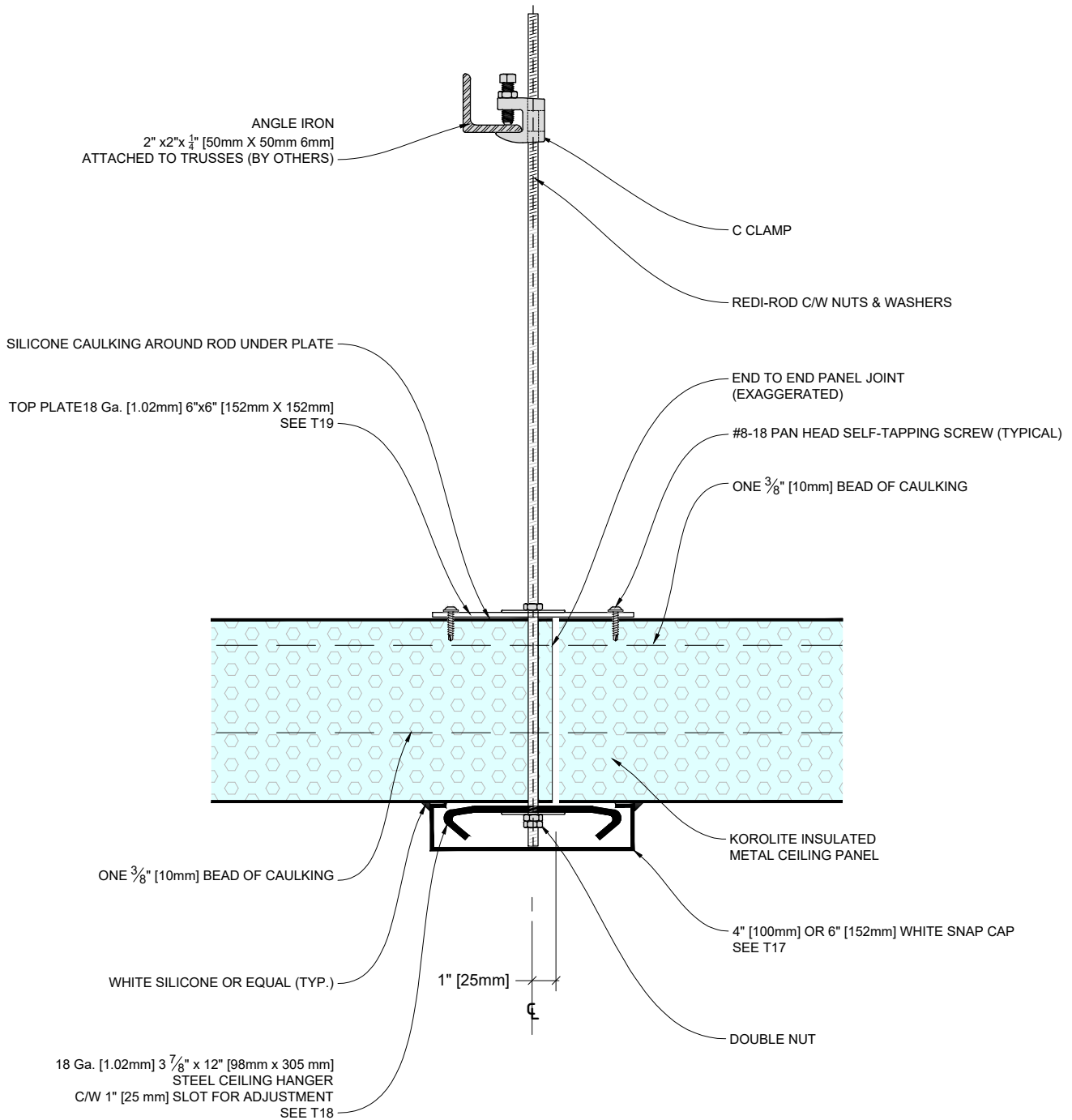
Airfoam Industries Ltd.
 19402 56 Ave, Surrey, BC V3S 6K4
 Phone: (604) 590-2876
 Fax: (604) 590-8412
 www.airfoam.com

KOROLITE® INSULATED METAL PANELS Standard Details

FREEZER CEILING HANGER IN CONCRETE DECK

DATE PUBLISHED	2021-06-08	DESIGNED BY	DC
APPROVED BY	ZP	APPROVED DATE	2021-06-09
DRAWN BY	NTS	DRAWING SIZE	8.5" x 11"
REVISIONS	01 YYYY-MM-DD	Revisions	
	02 YYYY-MM-DD	Revisions	
	03 YYYY-MM-DD	Revisions	
	04 YYYY-MM-DD	Revisions	
PROJECT NO.	K603	PROJECT NAME	KIMP Typical Details
		DETAIL NO.	K603

© Copyright 2021 Airfoam Industries Ltd.
 IT IS THE RESPONSIBILITY OF THE USER TO COMPLY WITH ALL APPLICABLE REGULATIONS AND BUILDING CODE REQUIREMENTS CONCERNING THE USE OF THESE PRODUCTS. IT IS FURTHER THE RESPONSIBILITY OF THE USER TO RESEARCH AND UNDERSTAND SAFE METHODS OF USE AND HANDLING OF THESE PRODUCTS.



1

COOLER CEILING HANGER - ANGLE IRON C CLAMP



Airfoam Industries Ltd.

19402 56 Ave, Surrey, BC V3S 6K4

Phone: (604) 590-2876

Fax: (604) 590-8412

www.airfoam.com

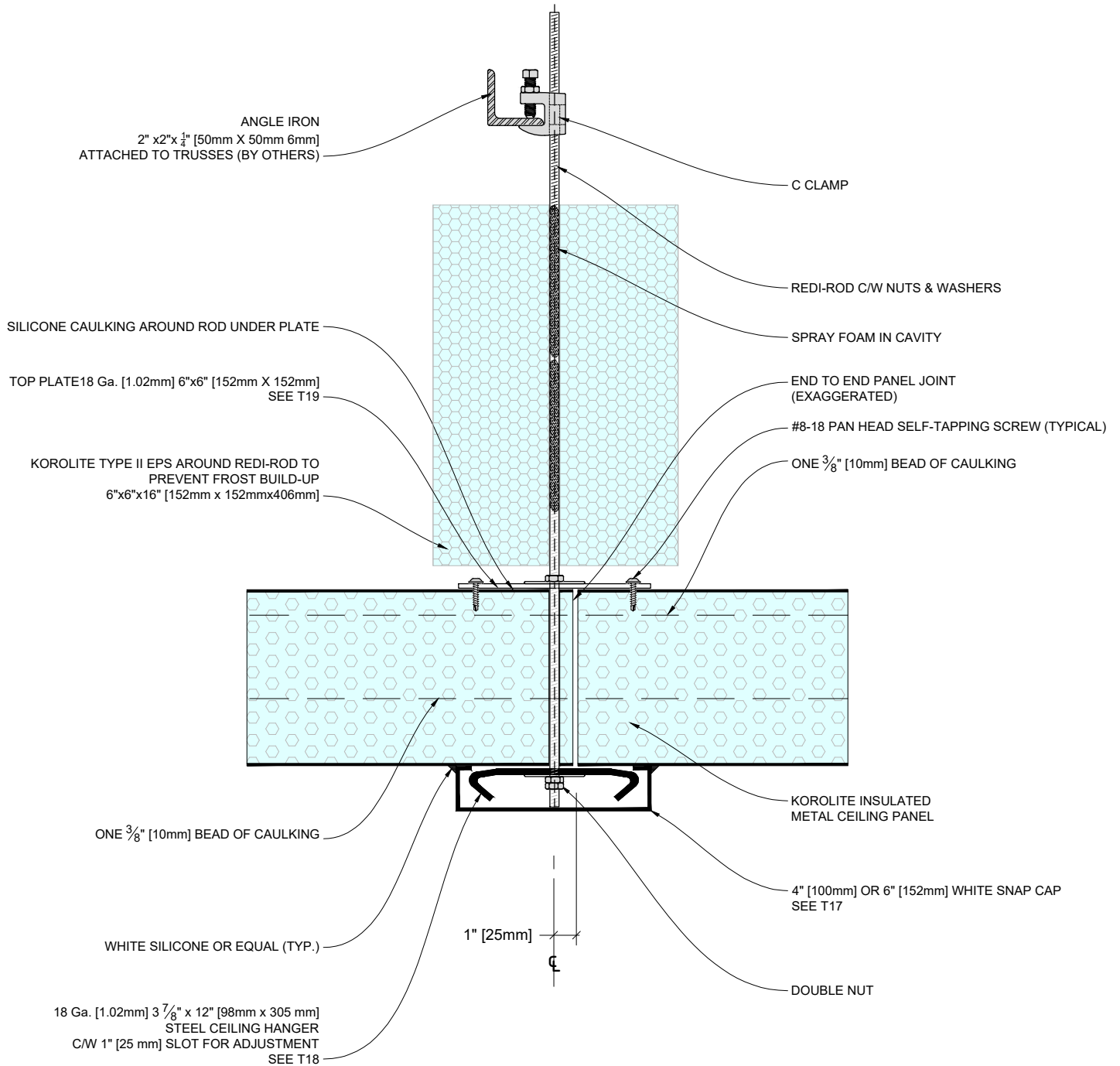
© Copyright 2021 Airfoam Industries Ltd.

IT IS THE RESPONSIBILITY OF THE USER TO COMPLY WITH ALL APPLICABLE REGULATIONS AND BUILDING CODE REQUIREMENTS CONCERNING THE USE OF THESE PRODUCTS. IT IS FURTHER THE RESPONSIBILITY OF THE USER TO RESEARCH AND UNDERSTAND SAFE METHODS OF USE AND HANDLING OF THESE PRODUCTS.

KOROLITE® INSULATED METAL PANELS
Standard Details

COOLER CEILING HANGER
ANGLE IRON C CLAMP

DATE PUBLISHED	2021-06-08	DESIGNED BY	DC
APPROVED BY	ZP	APPROVED DATE	2021-06-09
DRAWN BY	NTS	SHEET SIZE	8.5" x 11"
REVISIONS	01 YYYY-MM-DD	Revisions	
	02 YYYY-MM-DD	Revisions	
	03 YYYY-MM-DD	Revisions	
	04 YYYY-MM-DD	Revisions	
PROJECT NO.	K604	SCALE	
PROJECT TITLE	KIMP Typical Details		K604



1 FREEZER CEILING HANGER - ANGLE IRON C CLAMP



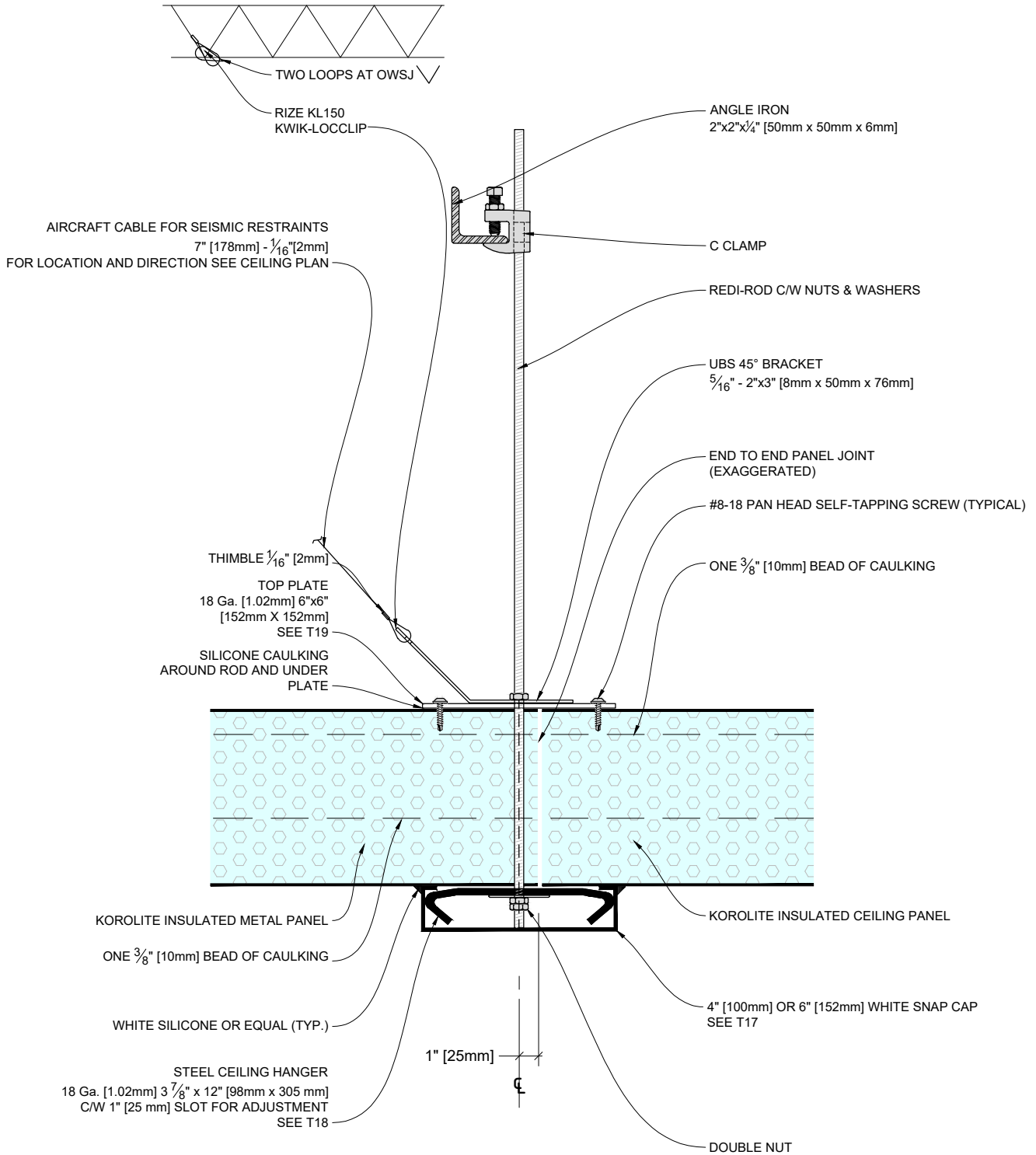
Airfoam Industries Ltd.
19402 56 Ave, Surrey, BC V3S 6K4
Phone: (604) 590-2876
Fax: (604) 590-8412
www.airfoam.com

KOROLITE® INSULATED METAL PANELS Standard Details

FREEZER CEILING HANGER ANGLE IRON C CLAMP

DATE PUBLISHED	2021-06-08	DESIGNED BY	DC
APPROVED BY	ZP	APPROVED DATE	2021-06-09
DRAWN BY	NTS	SHEET SIZE	8.5" x 11"
REVISIONS	01 YYYY-MM-DD	Revisions	
	02 YYYY-MM-DD	Revisions	
	03 YYYY-MM-DD	Revisions	
	04 YYYY-MM-DD	Revisions	
PROJECT NO.	K605	PROJECT NAME	KIMP Typical Details
			K605

© Copyright 2021 Airfoam Industries Ltd.
IT IS THE RESPONSIBILITY OF THE USER TO COMPLY WITH ALL APPLICABLE REGULATIONS AND BUILDING CODE REQUIREMENTS CONCERNING THE USE OF THESE PRODUCTS. IT IS FURTHER THE RESPONSIBILITY OF THE USER TO RESEARCH AND UNDERSTAND SAFE METHODS OF USE AND HANDLING OF THESE PRODUCTS.



1 COOLER CEILING HANGER - ANGLE IRON C CLAMP SEISMIC



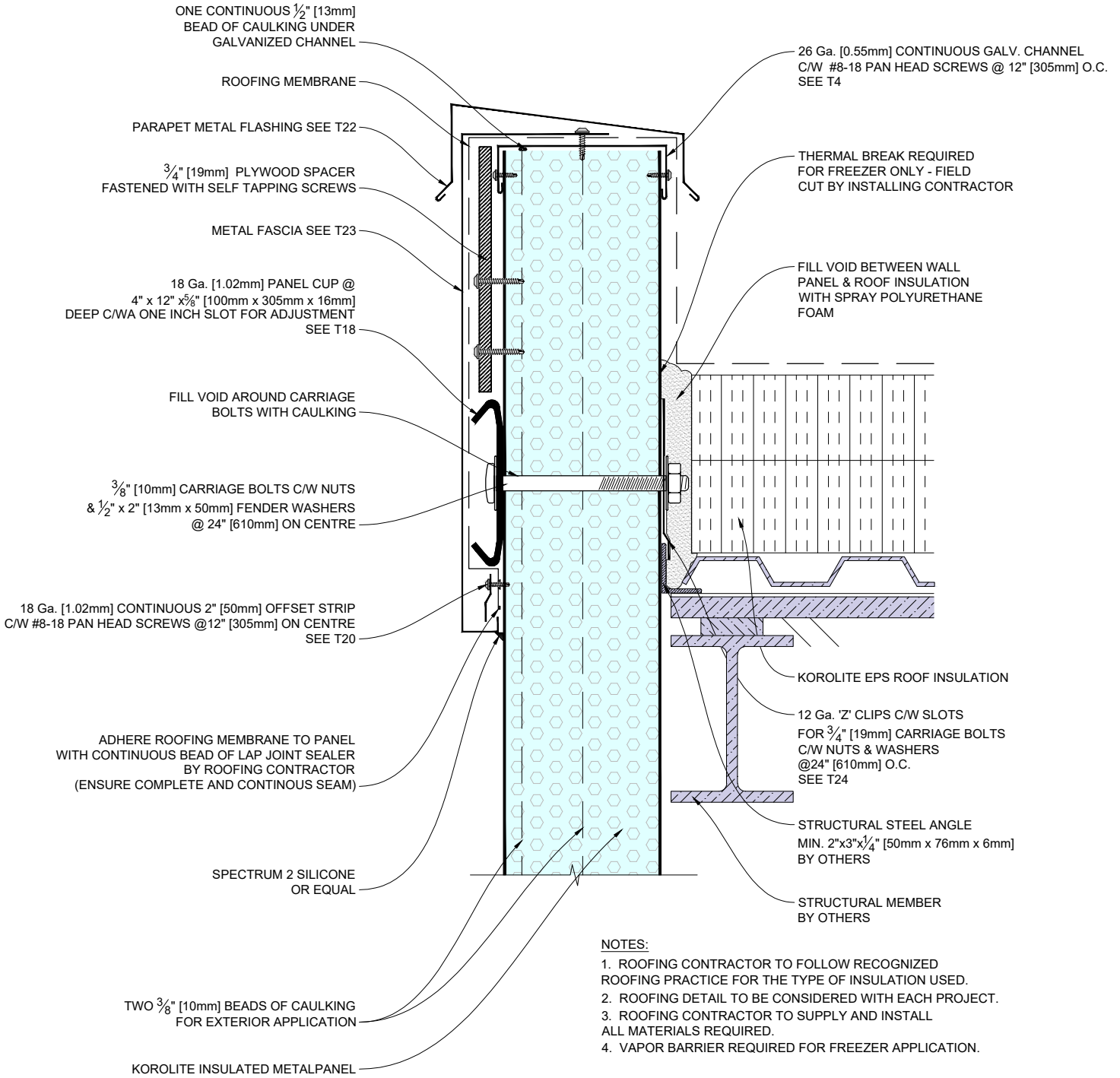
Airfoam Industries Ltd.
 19402 56 Ave, Surrey, BC V3S 6K4
 Phone: (604) 590-2876
 Fax: (604) 590-8412
 www.airfoam.com

KOROLITE® INSULATED METAL PANELS
 Standard Details

COOLER CEILING HANGER
ANGLE IRON C CLAMP - SEISMIC

DATE PUBLISHED	2021-06-08	DESIGNED BY	DC
APPROVED BY	ZP	APPROVED DATE	2021-06-09
DRAWN BY	NTS	DESK TOP	8.5" x 11"
REVISIONS	01 YYYY-MM-DD	Revisions	
	02 YYYY-MM-DD	Revisions	
	03 YYYY-MM-DD	Revisions	
	04 YYYY-MM-DD	Revisions	
PROJECT NO.	K606	PROJECT NAME	KIMP Typical Details
		MODEL	K606

© Copyright 2021 Airfoam Industries Ltd.
 IT IS THE RESPONSIBILITY OF THE USER TO COMPLY WITH ALL APPLICABLE REGULATIONS AND BUILDING CODE REQUIREMENTS CONCERNING THE USE OF THESE PRODUCTS. IT IS FURTHER THE RESPONSIBILITY OF THE USER TO RESEARCH AND UNDERSTAND SAFE METHODS OF USE AND HANDLING OF THESE PRODUCTS.



1

EXTERIOR WALL PARAPET CONNECTION

OPTION 1



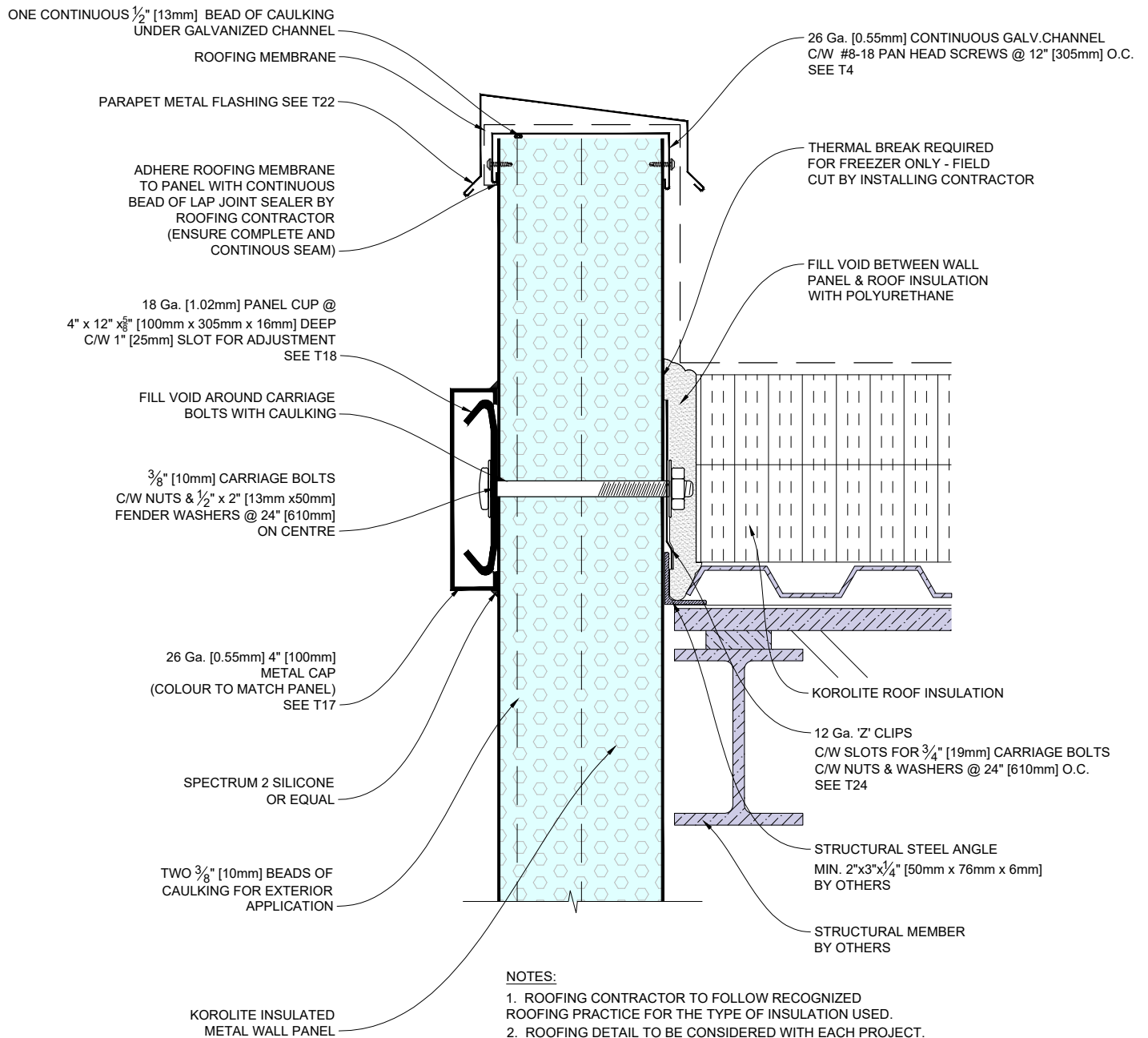
Airfoam Industries Ltd.
 19402 56 Ave, Surrey, BC V3S 6K4
 Phone: (604) 590-2876
 Fax: (604) 590-8412
 www.airfoam.com

KOROLITE® INSULATED METAL PANELS
 Standard Details

EXTERIOR WALL PARAPET CONNECTION
 OPTION 1

DATE PUBLISHED	2021-06-08	DESIGNED BY	DC
APPROVED BY	ZP	APPROVED DATE	2021-06-09
DRAWN BY	NTS	DRAWING SIZE	8.5" x 11"
REVISIONS	01 YYYY-MM-DD	Revisions	
	02 YYYY-MM-DD	Revisions	
	03 YYYY-MM-DD	Revisions	
	04 YYYY-MM-DD	Revisions	
PROJECT NO.	K701	PROJECT TITLE	KIMP Typical Details
		DETAIL NO.	K701

© Copyright 2021 Airfoam Industries Ltd.
 IT IS THE RESPONSIBILITY OF THE USER TO COMPLY WITH ALL APPLICABLE REGULATIONS AND BUILDING CODE REQUIREMENTS CONCERNING THE USE OF THESE PRODUCTS. IT IS FURTHER THE RESPONSIBILITY OF THE USER TO RESEARCH AND UNDERSTAND SAFE METHODS OF USE AND HANDLING OF THESE PRODUCTS.



NOTES:

1. ROOFING CONTRACTOR TO FOLLOW RECOGNIZED ROOFING PRACTICE FOR THE TYPE OF INSULATION USED.
2. ROOFING DETAIL TO BE CONSIDERED WITH EACH PROJECT.
3. ROOFING CONTRACTOR TO SUPPLY AND INSTALL ALL MATERIALS REQUIRED.
4. VAPOR BARRIER REQUIRED FOR FREEZER APPLICATION.

1

EXTERIOR WALL PARAPET CONNECTION

OPTION 2



Airfoam Industries Ltd.
 19402 56 Ave, Surrey, BC V3S 6K4
 Phone: (604) 590-2876
 Fax: (604) 590-8412
 www.airfoam.com

KOROLITE® INSULATED METAL PANELS
 Standard Details

EXTERIOR WALL PARAPET CONNECTION
OPTION 2

DATE PUBLISHED	2021-06-08	DESIGNED BY	DC
APPROVED BY	ZP	APPROVED DATE	2021-06-09
DRAWN BY	NTS	DRAWN DATE	8.5" x 11"
REVISIONS	01 YYYY-MM-DD	Revisions	
	02 YYYY-MM-DD	Revisions	
	03 YYYY-MM-DD	Revisions	
	04 YYYY-MM-DD	Revisions	
PROJECT NO.	K702	PROJECT TITLE	K702
PROJECT BY	KIMP Typical Details		

© Copyright 2021 Airfoam Industries Ltd.
 IT IS THE RESPONSIBILITY OF THE USER TO COMPLY WITH ALL APPLICABLE REGULATIONS AND BUILDING CODE REQUIREMENTS CONCERNING THE USE OF THESE PRODUCTS. IT IS FURTHER THE RESPONSIBILITY OF THE USER TO RESEARCH AND UNDERSTAND SAFE METHODS OF USE AND HANDLING OF THESE PRODUCTS.

ONE CONTINUOUS 1/2" [13mm] BEAD OF CAULKING UNDER VAPOR BARRIER AND ON TOP OF PLYWOOD SPACER

ONE CONTINUOUS 1/2" [13mm] BEAD OF CAULKING UNDER GALVANIZED CHANNEL

METAL FASCIA SEE T23

ROOFING MEMBRANE

FILL VOID AROUND CARRIAGE BOLTS WITH CAULKING

TOP OF WALL METAL DRIP EDGE SEE T21

3/8" [10mm] CARRIAGE BOLTS C/W NUTS & 1/2" [13mm] FENDER WASHERS @ 24" [610mm] ON CENTRE

3/4" [19mm] PLYWOOD SPACER FASTENED WITH SELF TAPPING SCREWS

18 Ga. [1.02mm] CONTINUOUS 2" [50mm] OFFSET STRIP C/W #8 PAN HEAD SCREWS @ 12" [305mm] O.C. SEE T20

ADHERE ROOFING MEMBRANE TO PANEL WITH CONTINUOUS BEAD OF LAP JOINT SEALER BY ROOFING CONTRACTOR (ENSURE COMPLETE AND CONTINUOUS SEAM)

SPECTRUM 2 SILICONE OR EQUAL

TWO 3/8" [10mm] BEADS OF CAULKING FOR EXTERIOR APPLICATION

KOROLITE INSULATED METAL WALL PANEL

26 Ga. [0.55mm] CONTINUOUS GALV. CHANNEL C/W #8-18 PAN HEAD SCREWS @ 12" [305mm] O.C. SEE T4

FILL VOID BETWEEN WALL PANEL & ROOF INSULATION WITH POLYURETHANE (BY OTHERS)

KOROLITE EPS ROOF INSULATION

DRILL THROUGH ANGLE @ 24" [610mm] O.C. THEN THROUGH BOLT PANEL (BY OTHERS)

STRUCTURAL STEEL ANGLE MIN. 2"x3"x1/4" [50mm x 76mm x 6mm] (BY OTHERS)

STRUCTURAL MEMBER BY OTHERS

NOTES:

1. ROOFING CONTRACTOR TO FOLLOW RECOGNIZED ROOFING PRACTICE FOR THE TYPE OF INSULATION USED.
2. ROOFING DETAIL TO BE CONSIDERED WITH EACH PROJECT.
3. ROOFING CONTRACTOR TO SUPPLY AND INSTALL ALL MATERIALS REQUIRED.
4. VAPOR BARRIER REQUIRED FOR FREEZER APPLICATION.

1

EXTERIOR WALL PARAPET CONNECTION

NO PARAPET



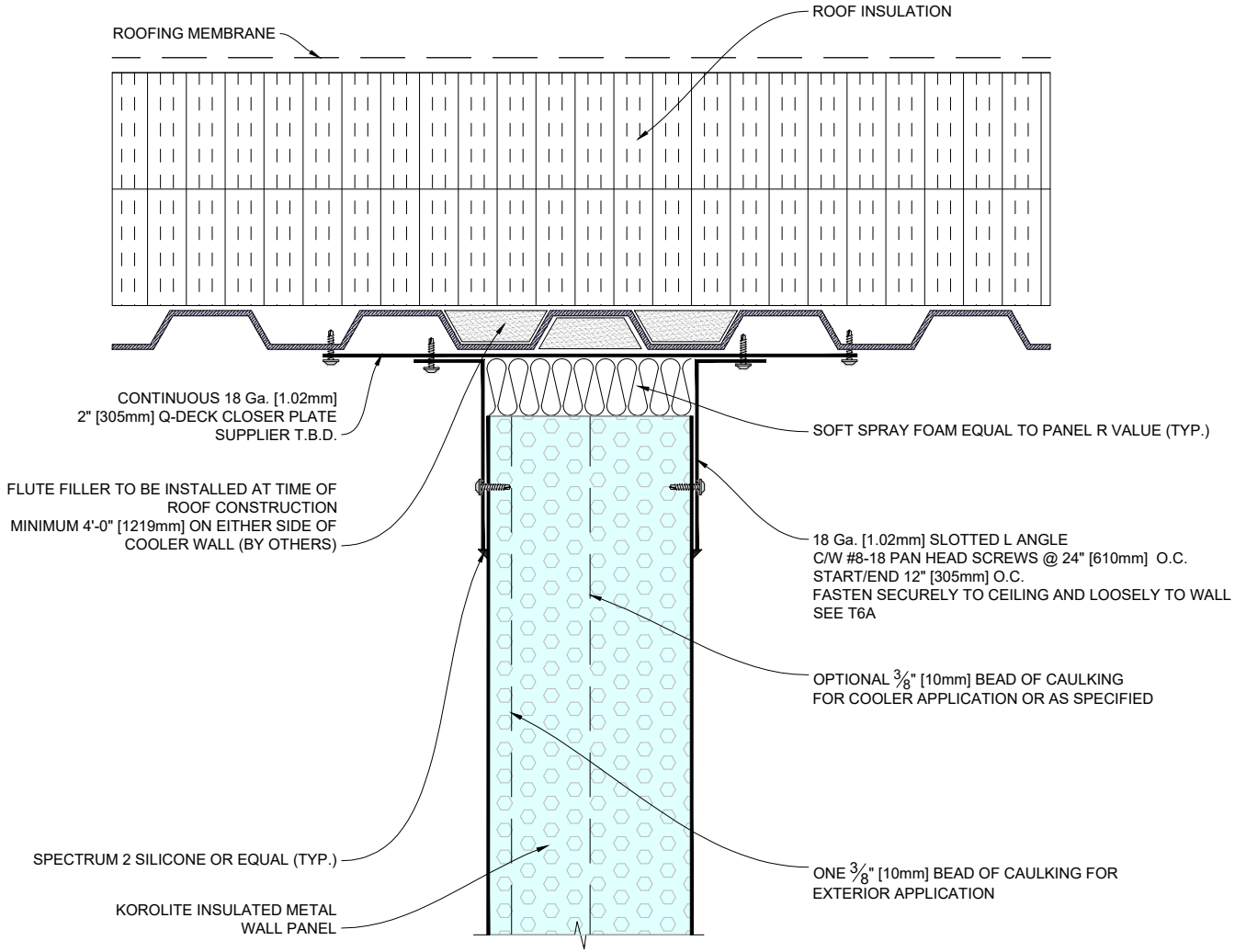
Airfoam Industries Ltd.
 19402 56 Ave, Surrey, BC V3S 6K4
 Phone: (604) 590-2876
 Fax: (604) 590-8412
 www.airfoam.com

KOROLITE® INSULATED METAL PANELS Standard Details

EXTERIOR TOP OF WALL CONNECTION NO PARAPET

DATE PUBLISHED	2021-06-08	DESIGNED BY	DC
APPROVED BY	ZP	APPROVED DATE	2021-06-09
DRAWN BY	NTS	DESK SET	8.5" x 11"
REVISIONS	01 YYYY-MM-DD	Revisions	
	02 YYYY-MM-DD	Revisions	
	03 YYYY-MM-DD	Revisions	
	04 YYYY-MM-DD	Revisions	
PROJECT NO.	K703	DETAIL	K703
PROJECT TITLE	KIMP Typical Details		

© Copyright 2021 Airfoam Industries Ltd.
 IT IS THE RESPONSIBILITY OF THE USER TO COMPLY WITH ALL APPLICABLE REGULATIONS AND BUILDING CODE REQUIREMENTS CONCERNING THE USE OF THESE PRODUCTS. IT IS FURTHER THE RESPONSIBILITY OF THE USER TO RESEARCH AND UNDERSTAND SAFE METHODS OF USE AND HANDLING OF THESE PRODUCTS.



- NOTES:**
1. ROOFING CONTRACTOR TO FOLLOW RECOGNIZED ROOFING PRACTICE FOR THE TYPE OF INSULATION USED.
 2. ROOFING DETAIL TO BE CONSIDERED WITH EACH PROJECT.
 3. ROOFING CONTRACTOR TO SUPPLY AND INSTALL ALL MATERIALS REQUIRED.
 4. VAPOR BARRIER REQUIRED FOR FREEZER APPLICATION.

1 TOP OF WALL AT ROOF Q-DECK (COOLER)
PARALLEL TO Q-DECK

Airfoam Industries Ltd.
19402 56 Ave, Surrey, BC V3S 6K4
Phone: (604) 590-2876
Fax: (604) 590-8412
www.airfoam.com

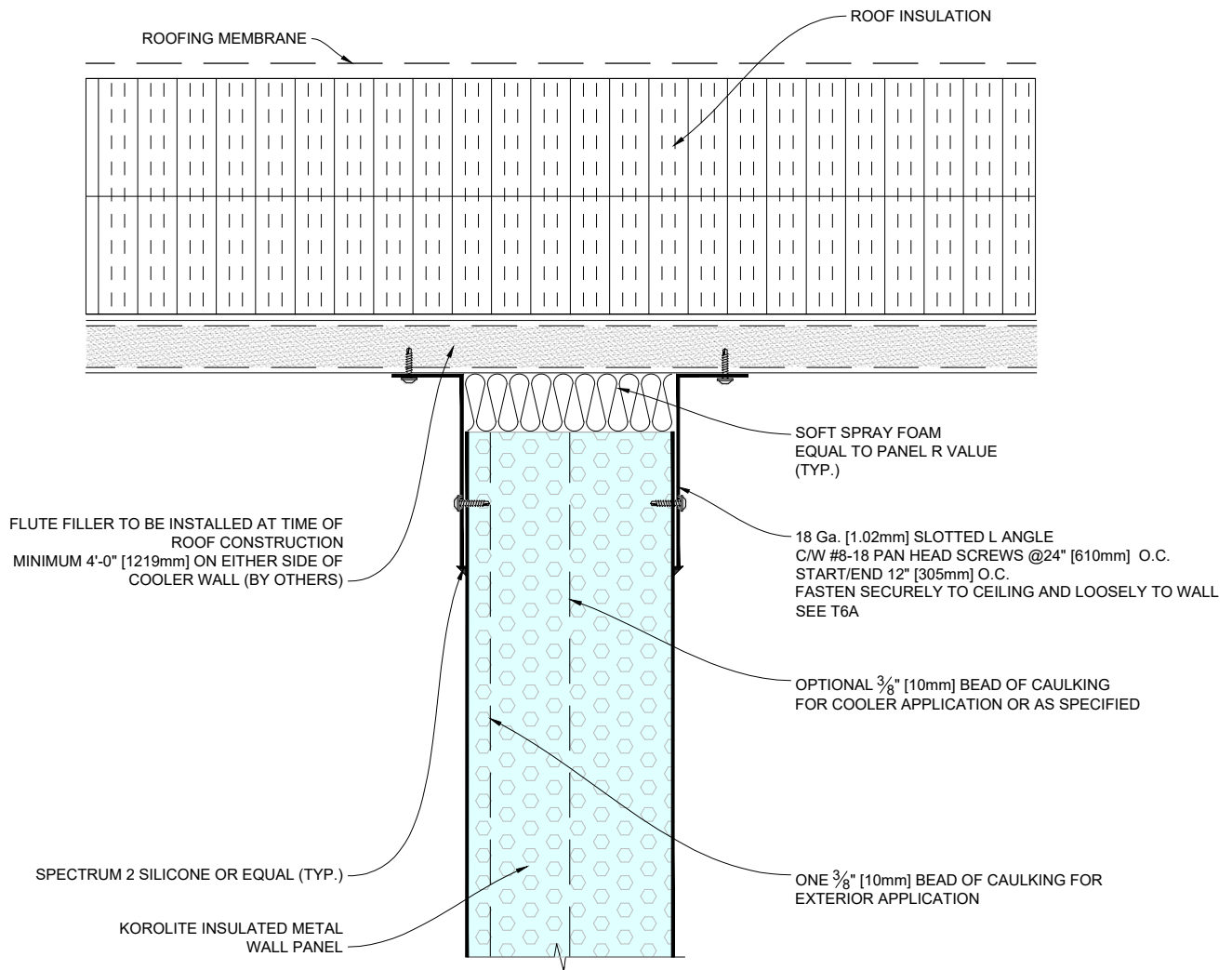
airfoam

© Copyright 2021 Airfoam Industries Ltd.
IT IS THE RESPONSIBILITY OF THE USER TO COMPLY WITH ALL APPLICABLE REGULATIONS AND BUILDING CODE REQUIREMENTS CONCERNING THE USE OF THESE PRODUCTS. IT IS FURTHER THE RESPONSIBILITY OF THE USER TO RESEARCH AND UNDERSTAND SAFE METHODS OF USE AND HANDLING OF THESE PRODUCTS.

KOROLITE® INSULATED METAL PANELS
Standard Details

**TOP OF WALL AT ROOF (COOLER)
PARALLEL TO CORRUGATED METAL DECKING**

DATE PUBLISHED	2021-06-08	DRAWN BY	DC
APPROVED BY	ZP	APPROVED DATE	2021-06-09
SCALE	NTS	SHEET SIZE	8.5" x 11"
REVISIONS	01 YYYY-MM-DD	Revisions	
	02 YYYY-MM-DD	Revisions	
	03 YYYY-MM-DD	Revisions	
	04 YYYY-MM-DD	Revisions	
PROJECT NO.	K704	PROJECT TITLE	KIMP Typical Details
			K704



NOTES:

1. ROOFING CONTRACTOR TO FOLLOW RECOGNIZED ROOFING PRACTICE FOR THE TYPE OF INSULATION USED.
2. ROOFING DETAIL TO BE CONSIDERED WITH EACH PROJECT.
3. ROOFING CONTRACTOR TO SUPPLY AND INSTALL ALL MATERIALS REQUIRED.
4. VAPOR BARRIER REQUIRED FOR FREEZER APPLICATION.

1

TOP OF WALL AT ROOF Q-DECK (COOLER)

PERPENDICULAR TO Q-DECK



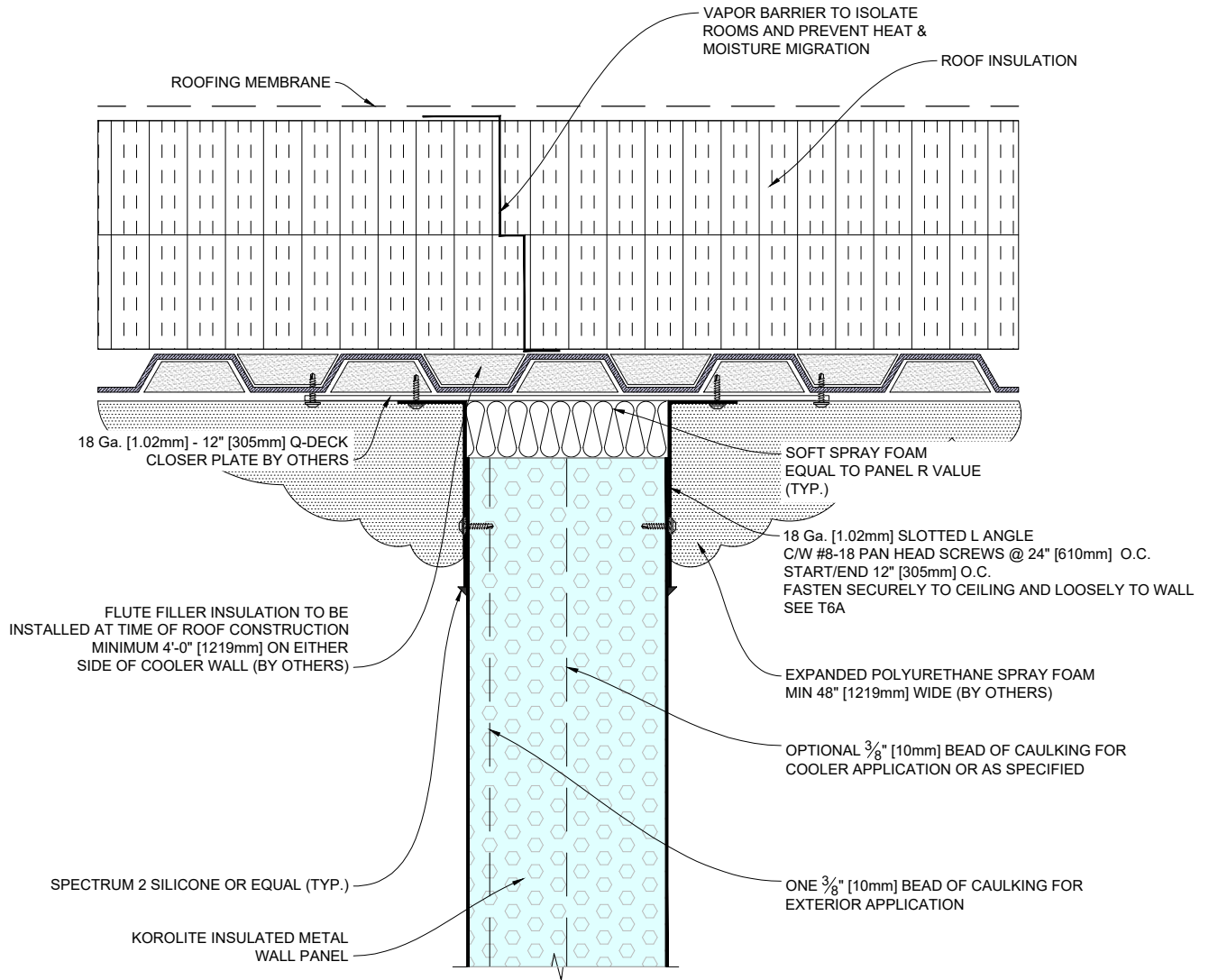
Airfoam Industries Ltd.
 19402 56 Ave, Surrey, BC V3S 6K4
 Phone: (604) 590-2876
 Fax: (604) 590-8412
 www.airfoam.com

KOROLITE® INSULATED METAL PANELS
 Standard Details

TOP OF WALL AT ROOF (COOLER)
PERPEN. TO CORRUGATED METAL DECKING

DATE PUBLISHED	2021-06-08	DRAWN BY	DC
APPROVED BY	ZP	APPROVED DATE	2021-06-09
SCALE	NTS	SHEET SIZE	8.5" x 11"
REVISIONS	01 YYYY-MM-DD	Revisions	
	02 YYYY-MM-DD	Revisions	
	03 YYYY-MM-DD	Revisions	
	04 YYYY-MM-DD	Revisions	
PROJECT NO.	K705	DRAWN	K705
PROJECT TITLE	KIMP Typical Details		

© Copyright 2021 Airfoam Industries Ltd.
 IT IS THE RESPONSIBILITY OF THE USER TO COMPLY WITH ALL APPLICABLE REGULATIONS AND BUILDING CODE REQUIREMENTS CONCERNING THE USE OF THESE PRODUCTS. IT IS FURTHER THE RESPONSIBILITY OF THE USER TO RESEARCH AND UNDERSTAND SAFE METHODS OF USE AND HANDLING OF THESE PRODUCTS.



NOTES:

1. ROOFING CONTRACTOR TO FOLLOW RECOGNIZED ROOFING PRACTICE FOR THE TYPE OF INSULATION USED.
2. ROOFING DETAIL TO BE CONSIDERED WITH EACH PROJECT.
3. ROOFING CONTRACTOR TO SUPPLY AND INSTALL ALL MATERIALS REQUIRED.
4. VAPOR BARRIER REQUIRED FOR FREEZER APPLICATION.

1

TOP OF WALL AT ROOF Q-DECK (FREEZER)

PARALLEL TO Q-DECK



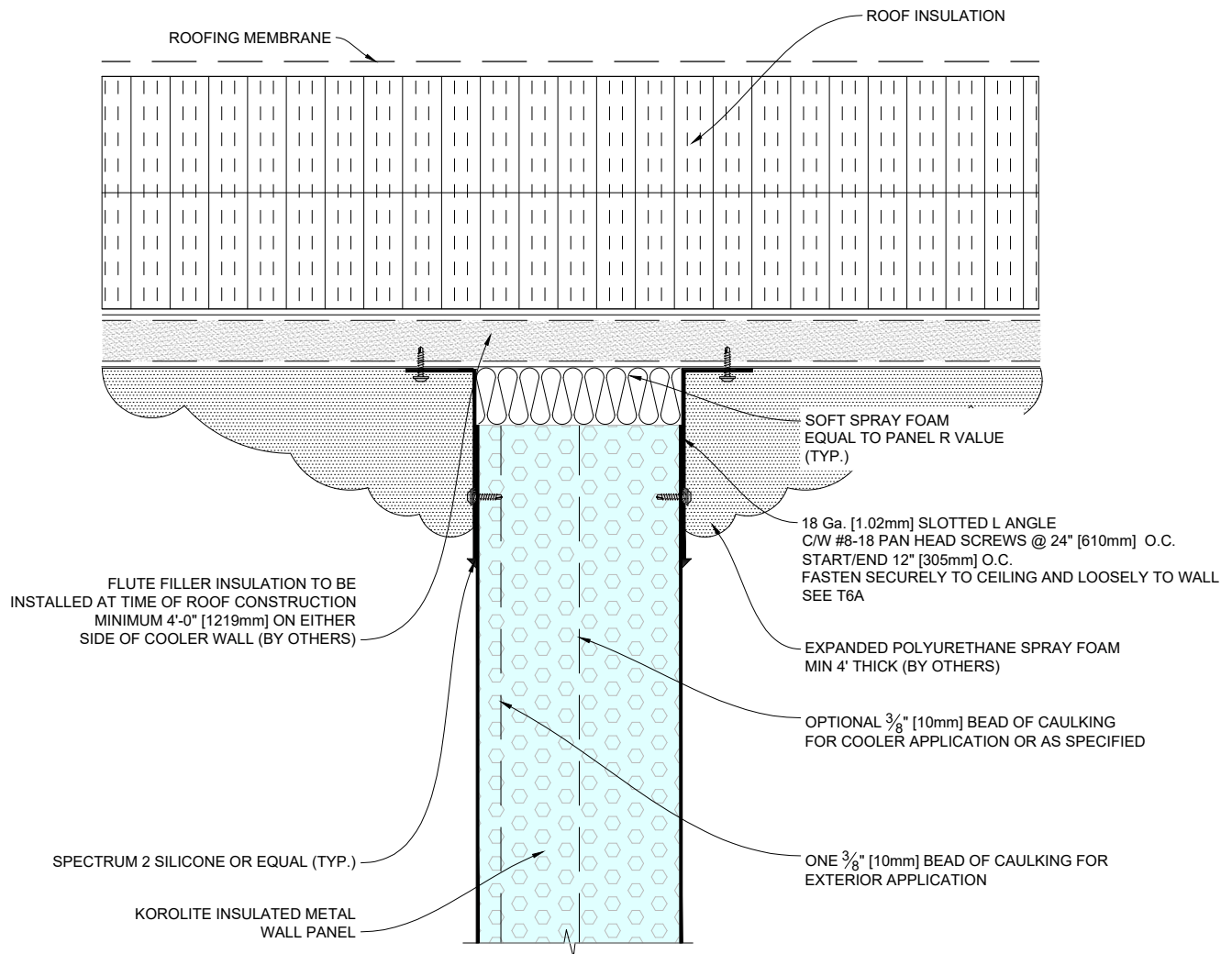
Airfoam Industries Ltd.
 19402 56 Ave, Surrey, BC V3S 6K4
 Phone: (604) 590-2876
 Fax: (604) 590-8412
 www.airfoam.com

KOROLITE® INSULATED METAL PANELS
 Standard Details

TOP OF WALL AT ROOF (FREEZER)
PARALLEL TO CORRUGATED METAL DECKING

DATE PUBLISHED	2021-06-08	DRAWN BY	DC
APPROVED BY	ZP	APPROVED DATE	2021-06-09
SCALE	NTS	SHEET SIZE	8.5" x 11"
REVISIONS	01 YYYY-MM-DD	Revisions	
	02 YYYY-MM-DD	Revisions	
	03 YYYY-MM-DD	Revisions	
	04 YYYY-MM-DD	Revisions	
PROJECT NO.	K706	PROJECT NAME	KIMP Typical Details
			K706

© Copyright 2021 Airfoam Industries Ltd.
 IT IS THE RESPONSIBILITY OF THE USER TO COMPLY WITH ALL APPLICABLE REGULATIONS AND BUILDING CODE REQUIREMENTS CONCERNING THE USE OF THESE PRODUCTS. IT IS FURTHER THE RESPONSIBILITY OF THE USER TO RESEARCH AND UNDERSTAND SAFE METHODS OF USE AND HANDLING OF THESE PRODUCTS.



NOTES:

1. ROOFING CONTRACTOR TO FOLLOW RECOGNIZED ROOFING PRACTICE FOR THE TYPE OF INSULATION USED.
2. ROOFING DETAIL TO BE CONSIDERED WITH EACH PROJECT.
3. ROOFING CONTRACTOR TO SUPPLY AND INSTALL ALL MATERIALS REQUIRED.
4. VAPOR BARRIER REQUIRED FOR FREEZER APPLICATION.

1

TOP OF WALL AT ROOF Q-DECK (FREEZER)

PERPENDICULAR TO Q-DECK



Airfoam Industries Ltd.
 19402 56 Ave, Surrey, BC V3S 6K4
 Phone: (604) 590-2876
 Fax: (604) 590-8412
 www.airfoam.com

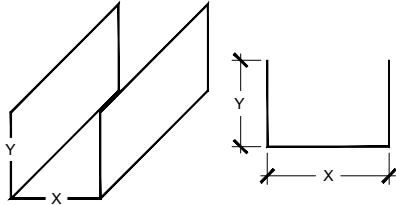
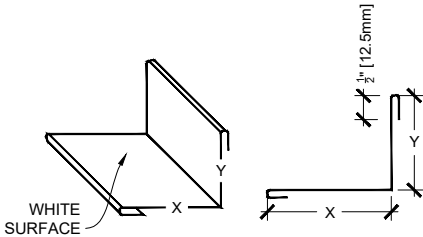
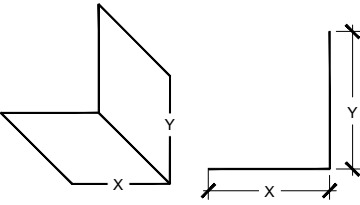
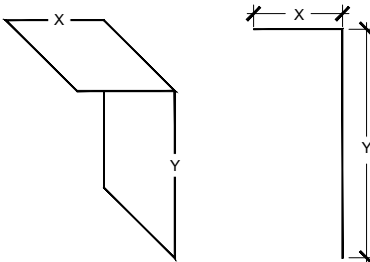
KOROLITE® INSULATED METAL PANELS
 Standard Details

**TOP OF WALL AT ROOF (FREEZER)
 PERPEN. TO CORRUGATED METAL DECKING**

DATE PUBLISHED	2021-06-08	DRAWN BY	DC
APPROVED BY	ZP	APPROVED DATE	2021-06-09
SCALE	NTS	SHEET SIZE	8.5" x 11"
REVISIONS	01 YYYY-MM-DD	Revisions	
	02 YYYY-MM-DD	Revisions	
	03 YYYY-MM-DD	Revisions	
	04 YYYY-MM-DD	Revisions	
PROJECT NO.	K707	DETAIL	K707
PROJECT TITLE	KIMP Typical Details		

© Copyright 2021 Airfoam Industries Ltd.
 IT IS THE RESPONSIBILITY OF THE USER TO COMPLY WITH ALL APPLICABLE REGULATIONS AND BUILDING CODE REQUIREMENTS CONCERNING THE USE OF THESE PRODUCTS. IT IS FURTHER THE RESPONSIBILITY OF THE USER TO RESEARCH AND UNDERSTAND SAFE METHODS OF USE AND HANDLING OF THESE PRODUCTS.

TRIM LABEL	PRODUCT	PRODUCT DESCRIPTION	GAUGE	WHERE USED	COLOUR	FASTENERS
T1		INSIDE CORNER TRIM	26 ga. [0.55mm] HEMMED	FOR ALL INSIDE HORIZONTAL & VERTICAL CORNERS 1 FASTENER SCREW PER FOOT ON EACH LEG	WHITE	#8-18 PAN HEAD SCREW
T2		OUTSIDE CORNER TRIM	26 ga. [0.55mm] HEMMED	FOR OUTSIDE VERTICAL CORNERS 1 FASTENER SCREW PER FOOT ON EACH LEG	WHITE	#8-18 PAN HEAD SCREW
T3		EDGE COVER	26 ga. [0.55mm] HEMMED	FOR OUTSIDE HORIZONTAL & VERTICAL CORNERS 1 FASTENER SCREW PER FOOT ON EACH LEG	WHITE	#8-18 PAN HEAD SCREW
T4		U CHANNEL	26 ga. [0.55mm] HEMMED	PERIMETER WALLS - COOLERS OPENINGS FOR DOOR CAPS 1 FASTENER SCREW PER FOOT ON EACH LEG ANCHORS TO CONCRETE @24" O.C.	WHITE	#8-18 PAN HEAD SCREW

TRIM LABEL	PRODUCT	PRODUCT DESCRIPTION	GAUGE	WHERE USED	COLOUR	FASTENERS
T4A		U CHANNEL	AS SPECIFIED	PERIMETER WALLS - COOLERS OPENINGS FOR DOOR CAPS 1 FASTENER SCREW PER FOOT ON EACH LEG ANCHORS TO CONCRETE @24" O.C.	WHITE	#8-18 PAN HEAD SCREW
T5		BASE ANGLE	26 ga. [0.55mm] HEMMED	1 FASTENER SCREW PER FOOT ON EACH VERTICAL LEG ANCHORS TO CONCRETE @24" O.C.	WHITE	#8-18 PAN HEAD SCREW
T5A		BASE ANGLE	18 ga. [1.31mm]	1 FASTENER SCREW PER FOOT ON EACH VERTICAL LEG ANCHORS TO CONCRETE @24" O.C.	UNPAINTED GALV.	#8-18 PAN HEAD SCREW
T6		L ANGLE	18 ga. [1.31mm]	1 FASTENER SCREW PER FOOT ON EACH LEG	UNPAINTED GALV.	#8-18 PAN HEAD SCREW

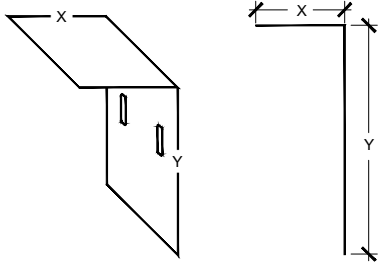
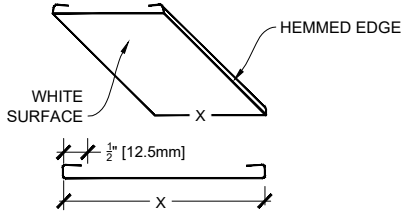
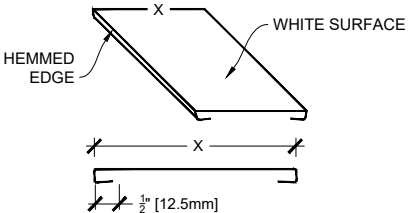
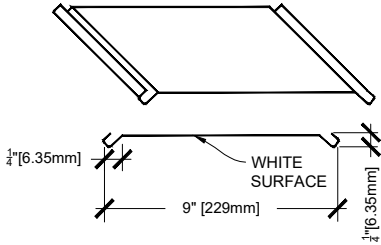
Airfoam Industries Ltd.
 19402 56 Ave, Surrey, BC V3S 6K4
 Phone: (604) 590-2876
 Fax: (604) 590-8412
 www.airfoam.com

© Copyright 2021 Airfoam Industries Ltd.
 IT IS THE RESPONSIBILITY OF THE USER TO COMPLY WITH ALL APPLICABLE REGULATIONS AND BUILDING CODE REQUIREMENTS CONCERNING THE USE OF THESE PRODUCTS. IT IS FURTHER THE RESPONSIBILITY OF THE USER TO RESEARCH AND UNDERSTAND SAFE METHODS OF USE AND HANDLING OF THESE PRODUCTS.

KOROLITE® INSULATED METAL PANELS
 Standard Details

TRIM AND FLASHING

DATE REVISION	2021-06-08	DESIGNED BY	DC
APPROVED BY	ZP	APPROVED DATE	2021-06-09
SCALE	NTS	SHEET SIZE	8.5" x 11"
REVISIONS	01 YYYY-MM-DD	Revisions	
	02 YYYY-MM-DD	Revisions	
	03 YYYY-MM-DD	Revisions	
	04 YYYY-MM-DD	Revisions	
PROJECT NO.	K802		
PROJECT NAME	KIMP Typical Details		
			K802

TRIM LABEL	PRODUCT	PRODUCT DESCRIPTION	GAUGE	WHERE USED	COLOUR	FASTENERS
T6A		SLOTTED L ANGLE	18 ga. [1.31mm]	1 FASTENER SCREW PER FOOT ON EACH LEG	WHITE	#8-18 PAN HEAD SCREW
T7		BATTON TRIM	26 ga. [0.55mm] HEMMED	CEILING PANEL JOINTS 1 FASTENER SCREW PER FOOT ON EACH VERTICAL LEG	WHITE	#8-18 PAN HEAD SCREW
T7A		BATTON TRIM	20 ga. [1.00mm] HEMMED	FREEZER FLOOR PANEL JOINTS 1 FASTENER SCREW PER FOOT ON EACH LEG	WHITE	#8-18 PAN HEAD SCREW
T7B		9" [229mm] WIDE CONTINUOUS JOINING BATTON	26 ga. [0.55mm] HEMMED	CEILING PANEL JOINTS REVERSE ANGLE HEMMED BATTON 1 FASTENER SCREW PER FOOT ON EACH LEG	WHITE	#8-18 PAN HEAD SCREW

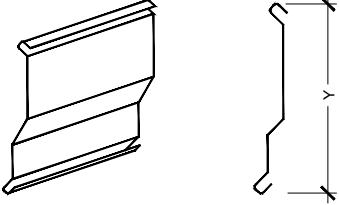
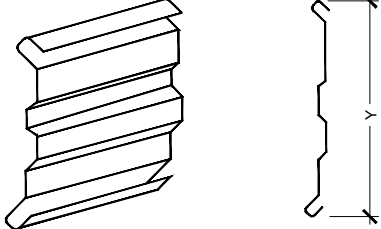
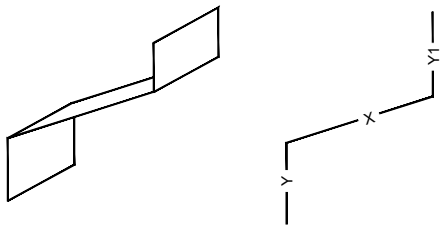
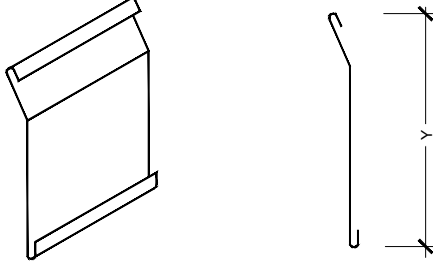
Airfoam Industries Ltd.
 19402 56 Ave, Surrey, BC V3S 6K4
 Phone: (604) 590-2876
 Fax: (604) 590-8412
 www.airfoam.com

© Copyright 2021 Airfoam Industries Ltd.
 IT IS THE RESPONSIBILITY OF THE USER TO COMPLY WITH ALL APPLICABLE REGULATIONS AND BUILDING CODE REQUIREMENTS CONCERNING THE USE OF THESE PRODUCTS. IT IS FURTHER THE RESPONSIBILITY OF THE USER TO RESEARCH AND UNDERSTAND SAFE METHODS OF USE AND HANDLING OF THESE PRODUCTS.

KOROLITE® INSULATED METAL PANELS
 Standard Details

TRIM AND FLASHING

DATE PREPARED 2021-06-08	DESIGNED BY DC
APPROVED BY ZP	APPROVED DATE 2021-06-09
SCALE NTS	SHEET SIZE 8.5" x 11"
REVISIONS 01 YYYY-MM-DD Revisions 02 YYYY-MM-DD Revisions 03 YYYY-MM-DD Revisions 04 YYYY-MM-DD Revisions	PROJECT NO. K803
PROJECT TITLE KIMP Typical Details	K803

TRIM LABEL	PRODUCT	PRODUCT DESCRIPTION	GAUGE	WHERE USED	COLOUR	FASTENERS
T15		BASE TRIM DRIP CAP	26 ga. [0.55mm] HEMMED	EXTERIOR BASE TRIM AT EXTERIOR WALLS 1 FASTENER SCREW PER FOOT ON EACH LEG	WHITE	#8-18 PAN HEAD SCREW
T16		COUNTER FLASHING	26 ga. [0.55mm] HEMMED	AT BASE OF EXTERIOR WALLS 1 FASTENER SCREW @6" O.C.	WHITE	#8-18 PAN HEAD SCREW
T16A		DRIP FLASHING	26 ga. [0.55mm] STAINLESS STEEL	AT BASE OF INTERIOR PANEL WALLS WHERE PANEL SITS ON BEVELED CURB 1 FASTENER SCREW @12" O.C. FOOD PROCESSING FACILITIES AND WET ENVIRONMENTS	S.S.	#8-18 PAN HEAD SCREW
T16B		BASE TRIM DRIP CAP	26 ga. [0.55mm] HEMMED			

Airfoam Industries Ltd.
 19402 56 Ave, Surrey, BC V3S 6K4
 Phone: (604) 590-2876
 Fax: (604) 590-8412
 www.airfoam.com

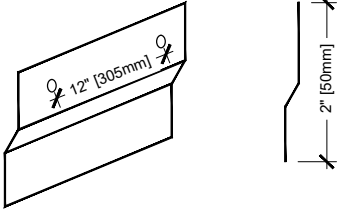
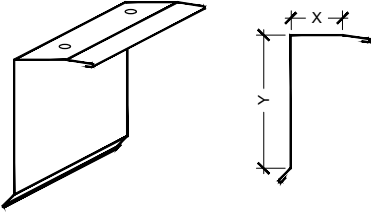
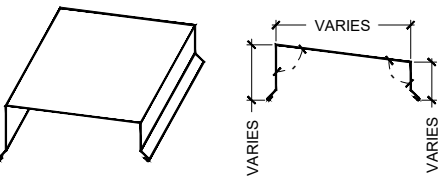
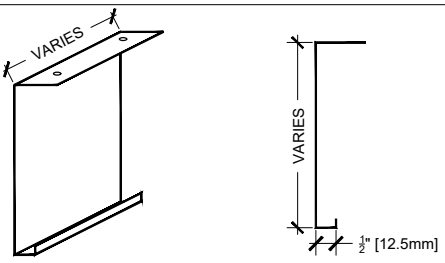
© Copyright 2021 Airfoam Industries Ltd.
 IT IS THE RESPONSIBILITY OF THE USER TO COMPLY WITH ALL APPLICABLE REGULATIONS AND BUILDING CODE REQUIREMENTS CONCERNING THE USE OF THESE PRODUCTS. IT IS FURTHER THE RESPONSIBILITY OF THE USER TO RESEARCH AND UNDERSTAND SAFE METHODS OF USE AND HANDLING OF THESE PRODUCTS.

KOROLITE® INSULATED METAL PANELS
 Standard Details

TRIM AND FLASHING

DATE: 2021-06-08	DESIGN BY: DC
APPROVED BY: ZP	APPROVED DATE: 2021-06-09
SCALE: NTS	HEET SIZE: 8.5" x 11"
REVISIONS:	
01 YYYY-MM-DD	Revisions
02 YYYY-MM-DD	Revisions
03 YYYY-MM-DD	Revisions
04 YYYY-MM-DD	Revisions
PROJECT No: K804	
PROJECT Title: KIMP Typical Details	
	K804

TRIM LABEL	PRODUCT	PRODUCT DESCRIPTION	GAUGE	WHERE USED	COLOUR	FASTENERS
T17 & T18 & T19		C CHANNEL & SNAP CAP ASSEMBLY - ILLUSTRATION				
T17		SNAP CAP	26 ga. [0.55mm] HEMMED	CONTINUOUS SNAPS OVER C CHANNEL	WHITE	#8-18 PAN HEAD SCREW
T18		C CHANNEL BLOCK	18 ga. [1.31mm] GALV.	4'-0" ON CENTRE FOUR FASTENERS PER CHANNEL SEGMENT	GALV.	#8-18 PAN HEAD SCREW
T19		TOP PLATE	18 ga. [1.31mm] GALV.	PART OF CEILING HANGER ASSEMBLY	GALV.	#8-18 PAN HEAD SCREW

TRIM LABEL	PRODUCT	PRODUCT DESCRIPTION	GAUGE	WHERE USED	COLOUR	FASTENERS
T20		2" [50mm] CONTINUOUS OFFSET STRIP	18 ga. [1.31mm] GALV.	AT EXTERIOR FACE OF WALL PANELS AT BASE AND OR TOP OF PANEL	GALV	#8-18 PAN HEAD SCREW
T21		TOP OF WALL METAL DRIP EDGE	26 ga. [0.55mm] HEMMED	AT TOP OF EXTERIOR WALL - WHERE PANEL MEETS BUILT UP ROOF - NO PARAPET REFERENCE KEPS DETAIL #2.05	WHITE	#8-18 PAN HEAD SCREW
T22		TOP OF WALL METAL DRIP EDGE AT PARAPET	26 ga. [0.55mm] HEMMED	AT TOP OF EXTERIOR WALL WHERE PANEL MEETS BUILT UP ROOF WITH PARAPET REFERENCE KIMP DETAIL #2.03 & 2.04	WHITE	#8-18 PAN HEAD SCREW
T23		TOP OF WALL METAL FASCIA AT PARAPET	26 ga. [0.55mm] HEMMED	AT TOP OF EXTERIOR WALL WHERE PANEL MEETS BUILT UP ROOF WITH PARAPET REFERENCE KIMP DETAIL #2.03	WHITE	#8-18 PAN HEAD SCREW

Airfoam Industries Ltd.
 19402 56 Ave, Surrey, BC V3S 6K4
 Phone: (604) 590-2876
 Fax: (604) 590-8412
 www.airfoam.com

© Copyright 2021 Airfoam Industries Ltd.
 IT IS THE RESPONSIBILITY OF THE USER TO COMPLY WITH ALL APPLICABLE REGULATIONS AND BUILDING CODE REQUIREMENTS CONCERNING THE USE OF THESE PRODUCTS. IT IS FURTHER THE RESPONSIBILITY OF THE USER TO RESEARCH AND UNDERSTAND SAFE METHODS OF USE AND HANDLING OF THESE PRODUCTS.

KOROLITE® INSULATED METAL PANELS
 Standard Details

TRIM AND FLASHING

DATE: 2021-06-08	DESIGNED BY: DC
APPROVED BY: ZP	APPROVED DATE: 2021-06-09
SCALE: NTS	SHEET SIZE: 8.5" x 11"
REVISIONS:	REVISIONS:
01 YYYY-MM-DD	Revisions
02 YYYY-MM-DD	Revisions
03 YYYY-MM-DD	Revisions
04 YYYY-MM-DD	Revisions
PROJECT NO: K806	PROJECT NAME: KIMP Typical Details
	K806

TRIM LABEL	PRODUCT	PRODUCT DESCRIPTION	GAUGE	WHERE USED	COLOUR	FASTENERS
T24		Z CLIP	12 ga. [2.75mm] GALV	AT INSIDE TOP OF EXTERIOR WALL WHERE PANEL MEETS BUILT UP ROOF WITH PARAPET ALSO AT STACKED PANEL JOINT REFERENCE DETAIL #2.03 & DETAIL 4.07 SLOTS FOR CARRIAGE BOLTS	GALV.	CARRIAGE BOLTS TEK SCREWS
T25		Z CLIP	18 ga. [1.31mm] GALV	AT TOP OF EXTERIOR WALL BEHIND METAL FASCIA REFERENCE DETAIL #2.03	GALV.	FAB-LOK #8-18 PAN HEAD SCREW
T26		METAL CAP	26 ga. [0.55mm] HEMMED	TO COVER PANEL CONNECTOR (PANEL CUP) AT STACKED PANEL JOINT REFERENCE DETAIL #4.07	TO MATCH PANEL	#8-18 PAN HEAD SCREW
T27		PANEL CUP	18 ga. [1.31mm] GALV	PANEL CONNECTOR (PANEL CUP) WITH TWO 1" SLOTS FOR ADJUSTMENT AT STACKED PANEL JOINT REFERENCE DETAIL #4.07	GALV.	$\frac{3}{8}$ " CARRIAGE BOLTS c/w NUTS & $\frac{1}{2}$ "x2" FENDER WASHERS @ 24" ON CENTER

Airfoam Industries Ltd.
19402 56 Ave, Surrey, BC V3S 6K4
Phone: (604) 590-2876
Fax: (604) 590-8412
www.airfoam.com

© Copyright 2021 Airfoam Industries Ltd.
IT IS THE RESPONSIBILITY OF THE USER TO COMPLY WITH ALL APPLICABLE REGULATIONS AND BUILDING CODE REQUIREMENTS CONCERNING
THE USE OF THESE PRODUCTS. IT IS FURTHER THE RESPONSIBILITY OF THE USER TO RESEARCH AND UNDERSTAND SAFE METHODS OF USE
AND HANDLING OF THESE PRODUCTS.

KOROLITE® INSULATED METAL PANELS
Standard Details

TRIM AND FLASHING

DATE: 2021-06-08	DESIGN BY: DC
APPROVED BY: ZP	APPROVED DATE: 2021-06-09
SCALE: NTS	DETAIL SIZE: 8.5" x 11"
REVISIONS:	REVISIONS:
01 YYYY-MM-DD	01 YYYY-MM-DD
02 YYYY-MM-DD	02 YYYY-MM-DD
03 YYYY-MM-DD	03 YYYY-MM-DD
04 YYYY-MM-DD	04 YYYY-MM-DD
PROJECT NO: K807	PROJECT NAME: KIMP Typical Details
	K807

TRIM LABEL	PRODUCT	PRODUCT DESCRIPTION	GAUGE	WHERE USED	COLOUR	FASTENERS
T28		J SUPPORT	18 ga. [1.31mm] GALV	TO CONNECT PANEL TO HEADER	GALV.	#8-18 PAN HEAD SCREW
T34		REVERSE CHANNEL	26 ga. [0.55mm] HEMMED	AT TOP OF EXTERIOR WALL BEHIND METAL FASCIA REFERENCE DETAIL #2.03	TO MATCH PANEL	#8-18 PAN HEAD SCREW
T35		WALL FASTENING CLIP	14 ga. [2.00mm] GALV.	WALL FASTENING CLIP PRE-DRILL $\frac{3}{8}$ " DIA. HOLES FOR FAB-LOCK FASTENERS	GALV.	$\frac{5}{16}$ " DIA. FAB-LOCK
	<p>NOTES:</p> <ul style="list-style-type: none"> - Tolerances: +/- 0.02 [0.5mm] for XY dimensions and +/- 0.12" [3mm] for length. - Where specified, all hems are $\frac{1}{2}$" [12.5mm] - All galvanized steel complies with ASTM A653 					



Airfoam Industries Ltd.

19402 56 Ave, Surrey, BC V3S 6K4

Phone: (604) 590-2876

Fax: (604) 590-8412

www.airfoam.com

© Copyright 2021 Airfoam Industries Ltd.

IT IS THE RESPONSIBILITY OF THE USER TO COMPLY WITH ALL APPLICABLE REGULATIONS AND BUILDING CODE REQUIREMENTS CONCERNING THE USE OF THESE PRODUCTS. IT IS FURTHER THE RESPONSIBILITY OF THE USER TO RESEARCH AND UNDERSTAND SAFE METHODS OF USE AND HANDLING OF THESE PRODUCTS.

KOROLITE® INSULATED METAL PANELS

Standard Details

TRIM AND FLASHING

DATE: 2021-06-08	DESIGNED BY: DC
APPROVED BY: ZP	APPROVED DATE: 2021-06-09
SCALE: NTS	SHEET SIZE: 8.5" x 11"
REVISIONS:	REVISIONS:
01 YYYY-MM-DD	Revisions
02 YYYY-MM-DD	Revisions
03 YYYY-MM-DD	Revisions
04 YYYY-MM-DD	Revisions
PROJECT No: K808	PROJECT Name: KIMP Typical Details
	K808