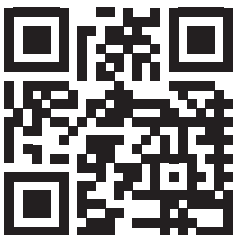




JD6M MY20 TWIN ROTARY W/ ZERO SPOOL OPTION

Current as of 07/06/2021

PARTS LISTING WITH
MOUNTING AND OPERATING
INSTRUCTIONS



Tiger Corporation
3301 N. Louise Ave.
Sioux Falls, SD 57107
1-800-843-6849
1-605-336-7900
www.tigermowers.com

06011052

TO THE OWNER / OPERATOR / DEALER

All implements with moving parts are potentially hazardous. There is no substitute for a cautious, safe-minded operator who recognizes the potential hazards and follows reasonable safety practices. The manufacturer has designed this implement to be used with all its safety equipment properly attached to minimize the chance of accidents.

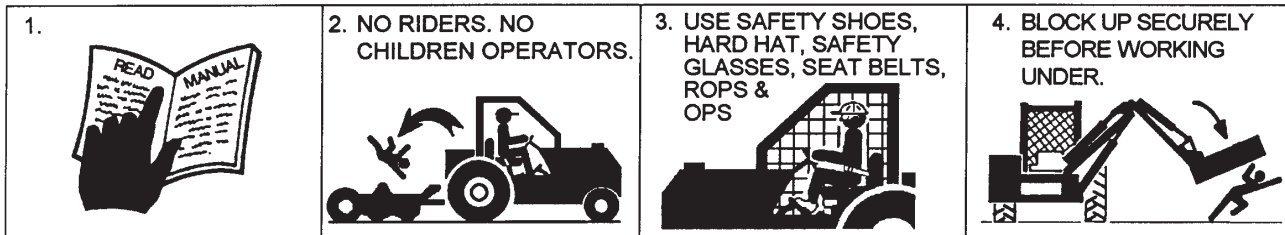
BEFORE YOU START!! Read the safety messages on the implement and shown in this manual. Observe the rules of safety and use common sense!

READ AND UNDERSTAND THIS MANUAL! Non-English speaking operators will need to GET THE MANUAL TRANSLATED as needed!



DANGER

FAILING TO FOLLOW SAFETY MESSAGES AND OPERATING INSTRUCTIONS CAN CAUSE SERIOUS BODILY INJURY OR EVEN DEATH TO OPERATOR AND OTHERS IN THE AREA.



1. Study and understand Operator's Manuals, Safety Decals, and Instructional Decals for tractor and implement to prevent misuse, abuse, and accidents. Practice before operating in a confined area or near passersby.
● Learn how to stop engine suddenly in an emergency. Be alert for passersby and especially children

2. Allow no children on or near folding mower or tractor. Allow no riders on tractor or implement. Falling off may cause serious injury or death from being run over by tractor or mower or contact with rotating blades.

3. Operate only with tractor having Roll-Over Protective Structure (ROPS) and with seat belt securely fastened to prevent injury and possible death from falling off or tractor overturn.
● Personal Protective Equipment such as Hard Hat, Safety Glasses, Safety Shoes, & Ear Plugs are recommended.

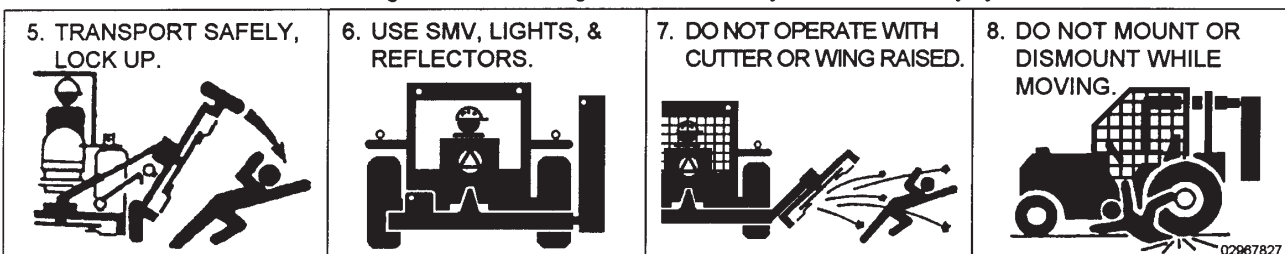
4. Block up or support raised machine and all lifted components securely before putting hands or feet under or working underneath any lifted component to prevent crushing injury or death from sudden dropping or inadvertent operation of controls. Make certain area is clear before lowering or folding

5. Before transporting, put Lift Lever in detent or full-lift position. Install Transport Safety Devices securely on folding mowers. Put Booms securely in Transport Rest.
● Folding and Boom Mowers have raised center of gravity. Slow down when turning and on hillsides.

6. Make certain that SMV sign, warning lights, and reflectors are clearly visible. Follow local traffic codes.

7. Never operate with Cutting Head or Folding Section raised if passersby, bystanders, or traffic are in the area to reduce possibility of injury or death from objects thrown by Blades under Guards or mower structure.

8. Before dismounting, secure implement in transport position or lower to ground.
● Put tractor in park or set brake, disengage PTO, stop engine, remove key, and wait until noise of rotation has ceased to prevent crushing by entanglement in rotating parts which could cause injury or death.
● Never mount or dismount a moving vehicle. Crushing from runover may cause serious injury or death.



Warranty Information: Read and understand the complete Warranty Statement found in this manual. Fill out the Warranty Registration form in full and return it within 90 days. Make certain the Serial Number of the machine is recorded on the Warranty Card, and form that you retain.

FORWARD

This manual contains information about many features of the Tiger mowing and roadside maintenance equipment. Some of these include: Safety precautions, Assembly instructions, Operations, Maintenance and Parts. This manual will also assist you in the proper break-in, daily care, and troubleshooting of your new mower.

We recommend that you read carefully the entire manual before operating the unit. Also, time spent in becoming fully acquainted with its performance features, adjustments, and maintenance schedules will be repaid in a long and satisfactory life of the equipment.

Troubleshooting - Please, before you call, help us to help you!

Please look at the equipment to observe what is happening, then:

- Classify the problem
 - Hydraulic, electrical or mechanical - Read the trouble shooting section
 - Tractor or Truck chassis - Contact vehicle dealer

- If unable to correct the problem yourself, contact your local Tiger Dealer after gathering:
 - Machine model _____
 - Serial number _____
 - Dealer name _____
 - Detailed information about the problem including results of troubleshooting

Attention Owner / Operator / Dealer: It is your obligation to read, and understand, the warranty information section located at the back of this manual denoting that the purchaser understands the safety issues relating to this machine and has received and will read a copy of this manual.

If at any time, you have a service problem with your Tiger mower, Contact your local dealer for service and parts needed.

MANUFACTURED BY:

Tiger Corporation

3301 N. Louise Ave.

Sioux Falls, SD 57107

1-800-843-6849

1-605-336-7900

www.tigermowers.com

DISTRIBUTED BY:

1- _____ - _____ - _____

1- _____ - _____ - _____

TABLE OF CONTENTS

SAFETY SECTION_____	1
ASSEMBLY / MOUNTING SECTION_____	2
OPERATION SECTION_____	3
MAINTENANCE SECTION_____	4
PARTS SECTION_____	5
COMMON PARTS SECTION_____	6
WARRANTY INFORMATION_____	7



1012

This symbol means:

CAUTION – YOUR SAFETY IS AT RISK!

When you see this symbol, read and follow the associated instructions carefully or personal injury or damage may result.

Tiger is a registered trademark.



SAFETY

SAFETY SECTION

SAFETY

General Safety Instructions and Practices

A safe and careful operator is the best operator. Safety is of primary importance to the manufacturer and should be to the owner / operator. Most accidents can be avoided by being aware of your equipment, your surroundings, and observing certain precautions. The first section of this manual includes a list of Safety Messages that, if followed, will help protect the operator and bystanders from injury or death. Read and understand these Safety Messages before assembling, operating or servicing this mower. This equipment should only be operated by those persons who have read the Manual, who are responsible and trained, and who know how to do so safely and responsibly.



1000

The Safety Alert Symbol combined with a Signal Word, as seen below, is used throughout this manual and on decals which are attached to the equipment. The Safety Alert Symbol means: “**ATTENTION! BECOME ALERT! YOUR SAFETY IS INVOLVED!**” The symbol and signal word are intended to warn the owner / operator of impending hazards and the degree of possible injury when operating this equipment.

Practice all usual and customary safe working precautions and above all -- remember safety is up to YOU! Only YOU can prevent serious injury or death from unsafe practices.

DANGER!



Indicates an imminently hazardous situation that, if not avoided, WILL result in DEATH OR VERY SERIOUS INJURY.

WARNING!



Indicates an imminently hazardous situation that, if not avoided, COULD result in DEATH OR SERIOUS INJURY.

CAUTION!



Indicates an imminently hazardous situation that, if not avoided, MAY result in MINOR INJURY.

IMPORTANT!

Identifies special instructions or procedures that, if not strictly observed, could result in damage to, or destruction of the machine, attachments or the environment.

NOTE: *Identifies points of particular interest for more efficient or convenient operation or repair.* (SG-1)

READ, UNDERSTAND, and FOLLOW the following Safety Messages. Serious injury or death may occur unless care is taken to follow the warnings and instructions stated in the Safety Messages. Always use good common sense to avoid hazards. (SG-2)

SAFETY INSTRUCTIONS



SAFETY

PELIGRO!



Si no lee Ingles, pida ayuda a alguien que si lo lea para que le traduzca las medidas de seguridad. (SG-3)

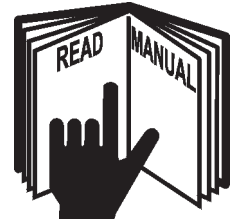


¡ LEA EL INSTRUCTIVO!

DANGER!



Never operate the Tractor or Implement until you have read and completely understand this Manual, the Tractor Operator's Manual, and each of the Safety Messages found in the Manual or on the Tractor and Implement. Learn how to stop the tractor engine suddenly in an emergency. Never allow inexperienced or untrained personnel to operate the Tractor and Implement without supervision. Make sure the operator has fully read and understands the manuals prior to operation. (SG-4)



WARNING!



Always maintain the safety decals in good readable condition. If the decals are missing, damaged, or unreadable, obtain and install replacement decals immediately. (SG-5)

WARNING!



Make certain that the "Slow Moving Vehicle" (SMV) sign is installed in such a way as to be clearly visible and legible. When transporting the Equipment use the Tractor flashing warning lights and follow all local traffic regulations. (SG-6)



WARNING!



Operate this Equipment only with a Tractor equipped with an approved roll-over-protective system (ROPS). Always wear seat belts. Serious injury or even death could result from falling off the tractor--particularly during a turnover when the operator could be pinned under the ROPS. (SG-7)



WARNING!

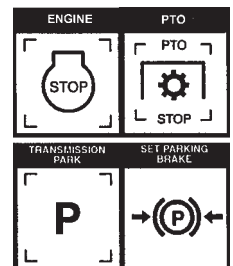


Do not modify or alter this Implement. Do not permit anyone to modify or alter this Implement, any of its components or any Implement function. (SG-8)

DANGER!



BEFORE leaving the tractor seat, always engage the brake and/or set the tractor transmission in parking gear, disengage the PTO, stop the engine, remove the key, and wait for all moving parts to stop. Place the tractor shift lever into a low range or parking gear to prevent the tractor from rolling. Never dismount a Tractor that is moving or while the engine is running. Operate the Tractor controls from the tractor seat only. (SG-9)



SAFETY

DANGER!



Never allow children or other persons to ride on the Tractor or Implement. Falling off can result in serious injury or death.

(SG-10)



DANGER!



Never allow children to operate or ride on the Tractor or Implement.

(SG-11)



WARNING!



Do not mount the tractor while the tractor is moving. Mount the tractor only when the tractor and all moving parts are completely stopped.

(SG-12)



DANGER!



Start tractor only when properly seated in the tractor seat. Starting a tractor in gear can result in injury or death. Read the tractor operators manual for proper starting instructions. (SG-13)



DANGER!



Never work under the Implement, the framework, or any lifted component unless the Implement is securely supported or blocked up to prevent sudden or inadvertent falling which could cause serious injury or even death. (SG-14)



DANGER!



Do not operate this Equipment with hydraulic oil leaking. Oil is expensive and its presence could present a hazard. Do not check for leaks with your hand! Use a piece of heavy paper or cardboard. High-pressure oil streams from breaks in the line could penetrate the skin and cause tissue damage including gangrene. If oil does penetrate the skin, have the injury treated immediately by a physician knowledgeable and skilled in this procedure. (SG-15)

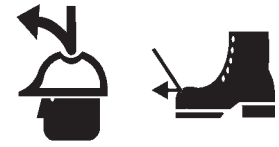


SAFETY

WARNING!



The operator and all support personnel should wear hard hats, safety shoes, safety glasses, and proper hearing protection at all times for protection from injury including injury from items thrown by the equipment. (SG-16)



CAUTION!



PROLONGED EXPOSURE TO LOUD NOISE MAY CAUSE PERMANENT HEARING LOSS! Tractors with or without an Implement attached can often be noisy enough to cause permanent hearing loss. We recommend that you always wear hearing protection if the noise in the operator's position exceeds 80db. Noise over 85db over an extended period of time will cause severe hearing loss. Noise over 90db adjacent to the operator over an extended period of time will cause permanent or total hearing loss. *Note:* Hearing loss from loud noise [from tractors, chain saws, radios, and other such sources close to the ear] is cumulative over a lifetime without hope of natural recovery. (SG-17)



WARNING!



Transport only at safe speeds. Serious accidents and injuries can result from operating this equipment at unsafe speeds. Understand the Tractor and Implement and how it handles before transporting on streets and highways. Make sure the Tractor steering and brakes are in good condition and operate properly.



Before transporting the Tractor and Implement, determine the safe transport speeds for you and the equipment. Make sure you abide by the following rules:

1. Test the tractor at a slow speed and increase the speed slowly. Apply the brakes smoothly to determine the stopping characteristics of the Tractor and Implement. As you increase the speed of the Tractor the stopping distance increases. Determine the maximum safe transport speed for you and this equipment.
2. Test the equipment at a slow speed in turns. Increase the speed through the turn only after you determine that it is safe to operate at a higher speed. Use extreme care and reduce your speed when turning sharply to prevent the tractor and implement from turning over. Determine the maximum safe turning speed for you and this equipment before operating on roads or uneven ground.
3. Only transport the Tractor and Implement at the speeds that you have determined are safe and which allow you to properly control the equipment.



Be aware of the operating conditions. Do not operate the Tractor with weak or faulty brakes. When operating down a hill or on wet or rain slick roads, the braking distance increases: use extreme care and reduce your speed. When operating in traffic always use the Tractor's flashing warning lights and reduce your speed. Be aware of traffic around you and watch out for the other guy. (SG-19)

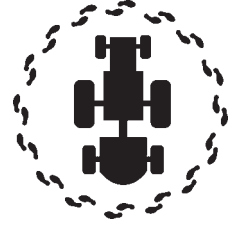
SAFETY

WARNING!



Never attempt to lubricate, adjust, or remove material from the Implement while it is in motion or while tractor engine is running. Make sure the tractor engine is **OFF** before working on the Implement.

(SG-20)



WARNING!



Periodically inspect all moving parts for wear and replace when necessary with authorized service parts. Look for loose fasteners, worn or broken parts, and leaky or loose fittings. Make sure all pins are properly secured. Serious injury may occur from not maintaining this machine in good working order. (SG-21)



WARNING!



Always read carefully and comply fully with the manufacturers instructions when handling oil, solvents, cleansers, and any other chemical agent. (SG-22)



DANGER!



Never run the tractor engine in a closed building or without adequate ventilation. The exhaust fumes can be hazardous to your health.

(SG-23)

DANGER!



KEEP AWAY FROM ROTATING ELEMENTS to prevent entanglement and possible serious injury or death. (SG-24)



DANGER!



Never allow children to play on or around Tractor or Implement. Children can slip or fall off the Equipment and be injured or killed. Children can cause the Implement to shift or fall crushing themselves or others. (SG-25)

SAFETY

DANGER!



NEVER use drugs or alcohol immediately before or while operating the Tractor and Implement. Drugs and alcohol will affect an operator's alertness and coordination and therefore affect the operator's ability to operate the equipment safely. Before operating the Tractor or Implement, an operator on prescription or over-the-counter medication must consult a medical professional regarding any side effects of the medication that would hinder their ability to operate the Equipment safely. **NEVER** knowingly allow anyone to operate this equipment when their alertness or coordination is impaired. Serious injury or death to the operator or others could result if the operator is under the influence of drugs or alcohol. (SG-27)



DANGER!



Operate the Tractor and/or Implement controls only while properly seated in the Tractor seat with the seat belt securely fastened around you. Inadvertent movement of the Tractor or Implement may cause serious injury or death. (SG-29)

WARNING!



Mow only in conditions where you have clear visibility in daylight or with adequate artificial lighting. Never mow in darkness or foggy conditions where you cannot clearly see at least 100 yards in front and to the sides of the tractor and mower. Make sure that you can clearly see and identify passersby, steep slopes, ditches, drop-offs, overhead obstructions, power lines, debris and foreign objects. If you are unable to clearly see this type of items discontinue mowing. (SGM-1)

DANGER!



There are obvious and hidden potential hazards in the operation of this Mower. **REMEMBER!** This machine is often operated in heavy brush and in heavy weeds. The Blades of this Mower can throw objects if shields are not properly installed and maintained. Serious injury or even death may occur unless care is taken to insure the safety of the operator, bystanders, or passersby in the area. Do not operate this machine with anyone in the immediate area. Stop mowing if anyone is within 100 yards of mower. (SGM-2)



DANGER!



All Safety Shields, Guards and Safety devices including (but not limited to) - the Deflectors, Steel Guards, Gearbox Shields, PTO integral shields, and Retractable Door Shields should be used and maintained in good working condition. All safety devices should be inspected carefully at least daily for missing or broken components. Missing, broken, or worn items must be replaced at once to reduce the possibility of injury or death from thrown objects, entanglement, or blade contact. (SGM-3)

SAFETY

DANGER!



The rotating parts of this machine have been designed and tested for rugged use. However, the blades could fail upon impact with heavy, solid objects such as metal guard rails and concrete structures. Such impact could cause the broken objects to be thrown outward at very high velocities. To reduce the possibility of property damage, serious injury, or even death, never allow the cutting blades to contact such obstacles. (SGM-4)

WARNING!



Extreme care should be taken when operating near loose objects such as gravel, rocks, wire, and other debris. Inspect the area before mowing. Foreign objects should be removed from the site to prevent machine damage and/or bodily injury or even death. Any objects that cannot be removed must be clearly marked and carefully avoided by the operator. Stop mowing immediately if blades strike a foreign object. Repair all damage and make certain rotor or blade carrier is balanced before resuming mowing. (SGM-5)



WARNING!



Many varied objects, such as wire, cable, rope, or chains, can become entangled in the operating parts of the mower head. These items could then swing outside the housing at greater velocities than the blades. Such a situation is extremely hazardous and could result in serious injury or even death. Inspect the cutting area for such objects before mowing. Remove any like object from the site. Never allow the cutting blades to contact such items. (SGM-6)

WARNING!



Mow at the speed that you can safely operate and control the tractor and mower. Safe mowing speed depends on terrain condition and grass type, density, and height of cut. Normal ground speed range is from 0 to 5 mph. Use slow mowing speeds when operating on or near steep slopes, ditches, drop-offs, overhead obstructions, power lines, or when debris and foreign objects are to be avoided. (SGM-7)

WARNING!



Avoid mowing in reverse direction when possible. Check to make sure there are no persons behind the mower and use extreme care when mowing in reverse. Mow only at a slow ground speed where you can safely operate and control the tractor and mower. Never mow an area that you have not inspected and removed debris or foreign material. (SGM-8)

WARNING!



Do not put hands or feet under mower decks. Blade Contact can result serious injury or even death. Stay away until all motion has stopped and the decks are securely blocked up. (SGM-9)



DANGER!



Replace bent or broken blade with new blades. NEVER ATTEMPT TO STRAIGHTEN OR WELD ON BLADES SINCE THIS WILL LIKELY CRACK OR OTHERWISE DAMAGE THE BLADE WITH SUBSEQUENT FAILURE AND POSSIBLE SERIOUS INJURY FROM THROWN BLADES. (SGM-10)

WARNING!



Do not mow with two machines in the same area except with Cab tractors with the windows closed. (SGM-11)

SAFETY

DANGER!



Rotary Mowers are capable under adverse conditions of throwing objects for great distances (100 yards or more) and causing serious injury or death. Follow safety messages carefully.

STOP MOWING IF PASSERSBY ARE WITHIN 100 YARDS UNLESS:

- Front and Rear Deflectors are installed and in good, working condition;
- Mower Head is running close to and parallel to the ground without exposed Blades;
- Passersby are outside the existing thrown-object zone;
- All areas have been thoroughly inspected and all foreign material such as rocks, cans, glass, and general debris has been removed.



NOTE: Where there are grass and weeds high enough to hide debris that could be struck by the blades, the area should be: inspected and large debris removed, mowed at an intermediate height, inspected closely with any remaining debris being removed, and mowed again at desired final height. (SFM-6)

WARNING!



Each Rear Wheel must have a minimum of 1,000 pounds contact with the surface to prevent lateral instability and possible tip-over which could result in serious bodily injury or even death. Widen the wheel tread and add weights if needed. Refer to the mounting instructions or call Customer Service if you need assistance with Counterweight Procedure. (SFL-3)



WARNING!



Do not operate Mower if excessive vibration exists. Shut down PTO and the Tractor engine. Inspect the Mower to determine the source of the vibration. If Mower blades are missing or damaged replace them immediately. Do not operate the mower until the blades have been replaced and the Mower operates smoothly. Operating the Mower with excessive vibration can result in component failure and broken objects to be thrown outward at very high velocities. To reduce the possibility of property damage, serious injury, or even death, never allow the Mower to be operated with blades missing. (SFL-4)

WARNING!



Do not let the Blades turn when the Mower Deck is raised for any reason, including clearance or for turning. Raising the Mower deck exposes the Cutting Blades which creates a potentially serious hazard and could cause serious injury or even death from objects thrown from the Blades. (SRM-7)



WARNING!



Never leave Tractor and Implement unattended while the implement is in the lifted position. Accidental operation of lifting lever or a hydraulic failure may cause sudden drop of unit with injury or death by crushing. To properly park the implement when disconnecting it from the tractor, lower the stand and put the retaining pin securely in place, or put a secure support under the A-Frame. Lower the implement carefully to the ground. Do not put hands or feet under lifted components. (SPT-1)

SAFETY

WARNING!



Be particularly careful when transporting the Implement with the Tractor. Turn curves or go up hills only at a low speed and using a gradual steering angle. Rear mounted implements move the center of gravity to the rear and remove weight from the front wheels. Make certain, by adding front ballast, that at least 20% of the tractor's weight is on the front wheels to prevent rearing up, loss of steering control or Tractor tip-over. Slow down on rough or uneven surfaces to prevent loss of steering control which could result in property damage or possible injury. Do not transport unless 3-Point lift lever is fully raised and in the latched transport position. Dropping implement in transport can cause serious damage to the tractor and/or Implement and possibly cause the operator or others to be injured or killed. (S3PT-2)

WARNING!



The rotating parts of this machine continue to rotate even after the Tractor has been turned off. The operator should remain in his seat for 60 seconds after the brake has been set, the PTO disengaged, the tractor turned off, and all evidence of rotation has ceased. (SBM-5)

“Wait a minute...Save a life!”

DANGER!



There are obvious and hidden potential hazards in the operation of this Implement as in all power-driven or pulled equipment. REMEMBER! This machine is often operated in rough terrain conditions that include tall grass, weeds, gullies, holes, slopes, hidden obstructions and the like. Serious injury or even death may occur unless care is taken to assure the safety of the operator and bystanders in the area. Do not operate this machine with anyone in the immediate area. (S3PT-7)

WARNING!



Relieve hydraulic pressure prior to doing any maintenance or repair work on the Implement. Place the Implement on the ground or securely blocked up, disengage the PTO, and turn off the tractor engine. Push and pull the Remote Cylinder lever in and out several times prior to starting any maintenance or repair work. (S3PT-9)



DANGER!



This Implement is wider than the Tractor. Be careful when operating or transporting this equipment to prevent the Implement from running into or striking sign posts, guard rails, concrete abutments or other solid objects. Such an impact could cause the Implement and Tractor to pivot violently resulting in loss of steering control, serious injury, or even death. Never allow the Implement to contact obstacles. (S3PT-12)

DANGER!



The flail cutter shaft is designed for standard rotation (same rotation as the tractor wheels during forward travel). **Never operate the cutter shaft in the reverse rotation.** Operating this mower in reverse rotation may cause objects to be thrown out the front of the mower head.



SAFETY

WARNING!



Engine Exhaust, some of its constituents, and certain components contain or emit chemicals known to the state of California to cause cancer and birth or other reproductive harm.

WARNING!



Battery posts, terminals and related accessories contain lead and lead compounds, chemicals known to the state of California to cause cancer and birth or other reproductive harm. **Wash hands after handling!**

Tiger mowers use balanced and matched system components for blade carriers, blades, cutter-shafts, knives, knife hangers, rollers, drive-train components and bearings. These parts are made and tested to Tiger specifications. Non-genuine “will fit” parts do not consistently meet these specifications. The use of “will fit” parts may reduce mower performance, void mower warranties and present a safety hazard. Use genuine Tiger mower parts for economy and safety.

SEE YOUR  DEALER

In addition to the design and configuration of this Implement, including Safety Signs and Safety Equipment, hazard control and accident prevention are dependent upon the awareness, concern, prudence, and proper training of personnel involved in the operation, transport, maintenance, and storage of the machine. Refer also to Safety Messages and operation instruction in each of the appropriate sections of the Tractor and Equipment Manuals. Pay close attention to the Safety Signs affixed to the Tractor and Equipment. (SG-18)

SAFETY

DO NOT LUBRICATE WITH AUTOMATIC GREASE GUN. GREASE WITH HAND GREASE GUN ONLY.

P/N22839

PART NO.
LOCATION

22839
MOWER DECK



22840
INSIDE OF CAB



24028

24028
MOWER DECK



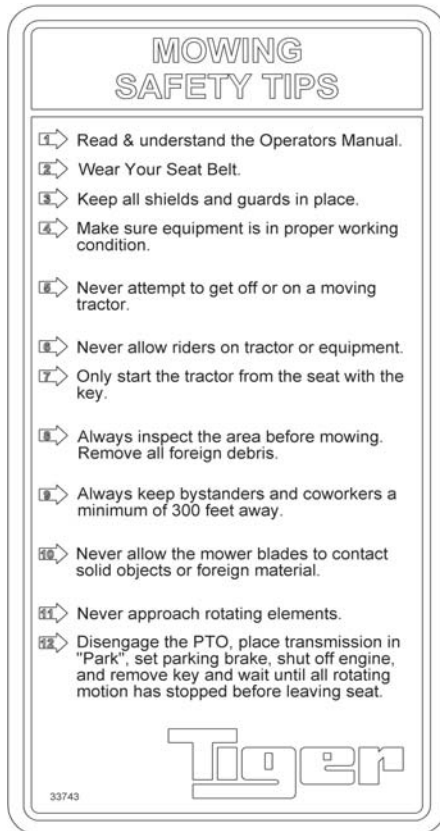
10" x 5.5" 31522
MOWER DECK
18.25" x 10" 31523
HYDRAULIC TANK

SAFETY

PART NO.
LOCATION



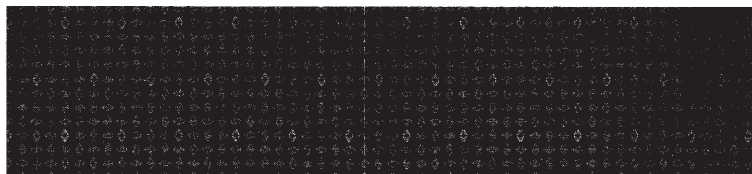
42350
MOWER DECK



33743
INSIDE OF CAB



42399
MOWER DECK



42400
MOWER DECK

SAFETY



PART NO.
LOCATION

6T3217
MOWER DECK



6T3219
INSIDE OF CAB

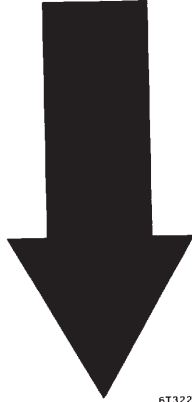
6T3220
FRONT PUMP MOUNT



6T3221
INSIDE OF CAB

SAFETY

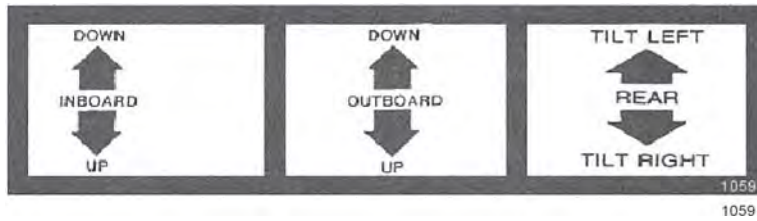
NOTICE:
Engine will not start when mower is engaged.



6T3222

PART NO.
LOCATION

6T3222
INSIDE OF CAB



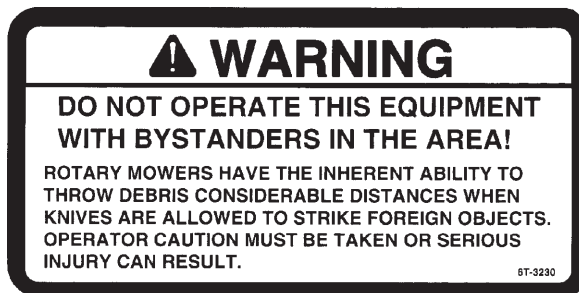
1059
1059

INSIDE OF CAB



6T3224

6T3224
MOWER DECK



6T-3230

6T3230
INSIDE OF CAB

SAFETY

PART NO.
LOCATION



6T3233
HYDRAULIC TANK



6T3234
INSIDE OF CAB



6T3236
MOWER DECK
HYDRAULIC TANK



6T3243
INSIDE OF CAB

SAFETY

PART NO.
LOCATION



6T3249A
MOWER DECK



6T3261
MOWER DECK



TB1011
MOWER DECK

SAFETY



Tiger Corporation

800-843-6849

www.tiger-mowers.com

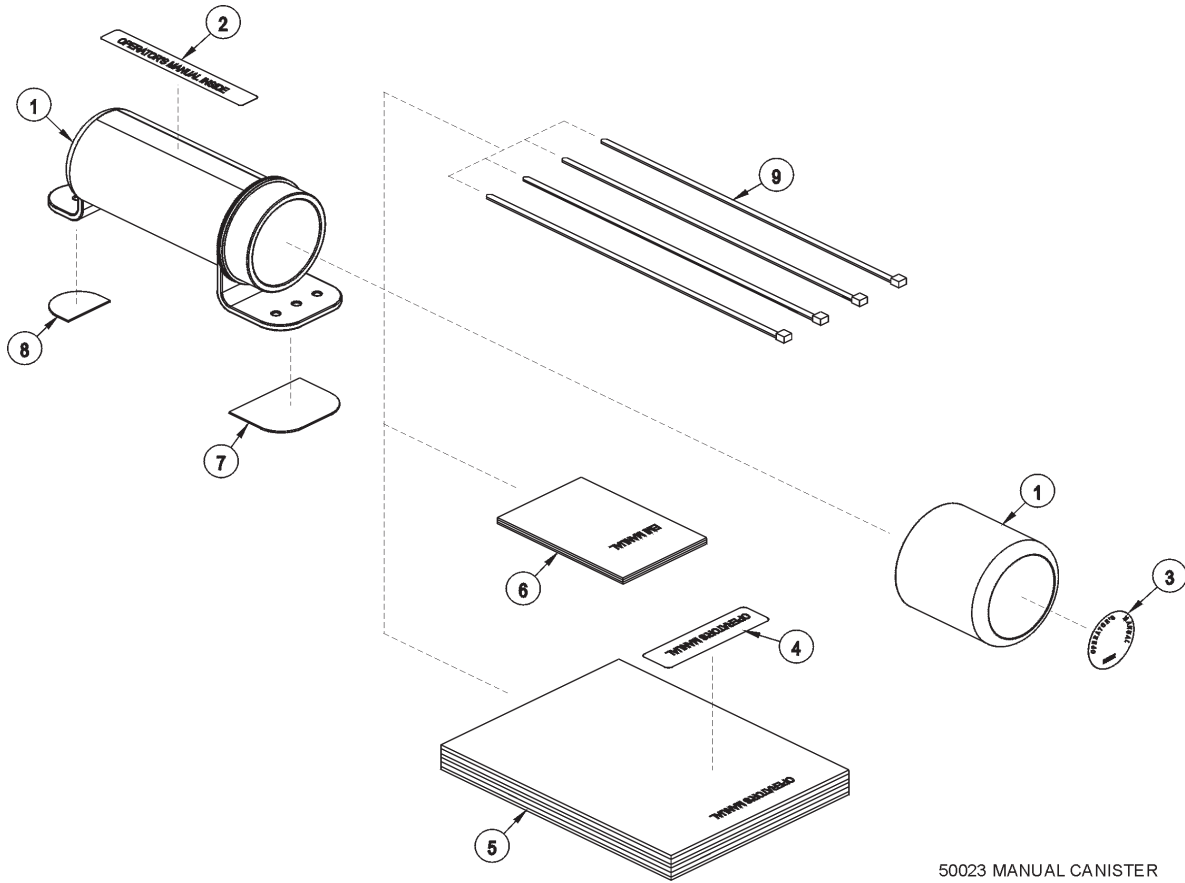
Description	Application	General Specification	Recommended Lubricant
Tractor Hydraulics	Reservoir	JD-20C	Mobilfluid® 424
Mower Hydraulics Cold Temperatures 0°F Start-up Normal Temperatures 10°F Start-up Normal Temperatures 15°F Start-up High Operating Temperatures Above 90°F Ambient	Reservoir	ISO 46 Anti-Wear/ Low Temp JD-20C ISO 46 Anti-Wear ISO 100 Anti-Wear	Mobil DTE® 15M Mobilfluid® 424 Mobil DTE® 25 Mobil DTE® 18M
Flail Rear Gearbox	Reservoir	PAO Synthetic Extreme Pressure Gear Lube	Mobilube SHC® 75W-90, Mobil 1 Synthetic Gear Lubricant
Cutter Shaft and Ground Roller Shaft (Flail)	Grease Gun	Lithium Complex, NLGI 2 ISO 320	Mobilgrease® CM-S
Drive Shaft Coupler (Rotary and Flail)	Grease Gun	Lithium Complex, NLGI 2 ISO 320	Mobilgrease® CM-S
Boom Swivel, Boom Cylinder Pivots (Rotary and Flail Boom Type)	Grease Gun	Lithium Complex, NLGI 2 ISO 320	Mobilgrease® CM-S
Deck Boom Pivot & Deck Stop Adjustment (Rotary and Flail)	Grease Gun	Lithium Complex, NLGI 2 ISO 320	Mobilgrease® CM-S
Deck Spindle (Rotary)	Grease Gun	Tiger Spindle Lubricant	Mobilith SHC 220

For Mobil product information, availability, or technical information, call 1-800-662-4525.

Tiger PN 34852

34852
HYDRAULIC TANK

SAFETY



50023 MANUAL CANISTER

ITEM	PART NO.	QTY.	DESCRIPTION
	50023	AVAIL	MANUAL CANISTER COMPLETE
1	00776031	1	ROUND MANUAL CANISTER
2	33997	1	DECAL, SHEET, MANUAL CANISTER
3		*	DECAL
4		*	DECAL
5	*	AVAIL	SPECIFIC PRODUCT MANUAL
6	33753	1	E M I SAFETY MANUAL
7	34296	1	FRONT ADHESIVE PAD
8	34297	1	REAR ADHESIVE PAD
9	6T1823	4	ZIPTIE 14" LONG

NOTE:

The manual canister can be bolted, zip tied or adhered to a variety of surfaces. Locate a protected area within the view of the operator. Then select an installation method and attach the canister. **CAUTION - AVOID DRILLING HOLES INTO UNKNOWN AREAS**, wires and other parts may be located behind these areas. When adhering the canister to a surface, thoroughly clean that surface before installing the canister.

SAFETY

FEDERAL LAWS AND REGULATIONS

This section is intended to explain in broad terms the concept and effect of federal laws and regulations concerning employer and employee equipment operators. This section is not intended as a legal interpretation of the law and should not be considered as such.

Employer-Employee Operator Regulations

U.S. Public Law 91-596 (The Williams-Steiger Occupational and Health Act of 1970) OSHA

This Act Seeks:

“...to assure so far as possible every working man and woman in the nation safe and healthful working conditions and to preserve our human resources...”

DUTIES

Sec. 5 (a) Each employer-

(1) shall furnish to each of his employees employment and a place of employment which are free from recognized hazards that are causing or are likely to cause death or serious physical harm to his employees;

(2) shall comply with occupational safety and health standards promulgated under this Act.

(b) Each employee shall comply with occupational safety and health standards and all rules, regulations and orders issued pursuant to this Act which are applicable to his own actions and conduct.

OSHA Regulations

OSHA regulations state in part: “At the time of initial assignment and at least annually thereafter, the employer shall instruct every employee in the safe operation and servicing of all equipment with which the employee is, or will be involved.”

Employer Responsibilities:

To ensure employee safety during Tractor and Implement operation, it is the employer's responsibility to:

1. Train the employee in the proper and safe operation of the Tractor and Implement.
2. Require that the employee read and fully understand the Tractor and Implement Operator's manual.
3. Permit only qualified and properly trained employees to operate the Tractor and Implement.
4. Maintain the Tractor and Implement in a safe operational condition and maintain all shields and guards on the equipment.
5. Ensure the Tractor is equipped with a functional ROPS and seat belt and require that the employee operator securely fasten the safety belt and operate with the ROPS in the raised position at all times.
6. Forbid the employee operator to carry additional riders on the Tractor or Implement.
7. Provide the required tools to maintain the Tractor and Implement in a good safe working condition and provide the necessary support devices to secure the equipment safely while performing repairs and service.

Child Labor Under 16 Years of Age

Some regulations specify that no one under the age of 16 may operate power machinery. It is your responsibility to know what these regulations are in your own area or situation. (Refer to U.S. Dept. of Labor, Employment Standard Administration, Wage & Home Division, Child Labor Bulletin #102.)

ASSEMBLY SECTION

ASSEMBLY

Before attempting to mount your Tiger mower, it is important to read and understand all of the safety messages in the Safety Section of this manual.

Check complete shipment list against the packing list to make sure there are no shortages. Make certain the tractor model is the appropriate one for the mower received!



Always use a floor jack, hoist or fork lift to lift and raise heavy parts.

Read and understand the entire Assembly Section instructions before attempting to mount your Tiger mower. Refer to the Parts Section of this manual for detailed illustrations to locate all parts. (ASM-C-0001)

TRACTOR PREPARATION

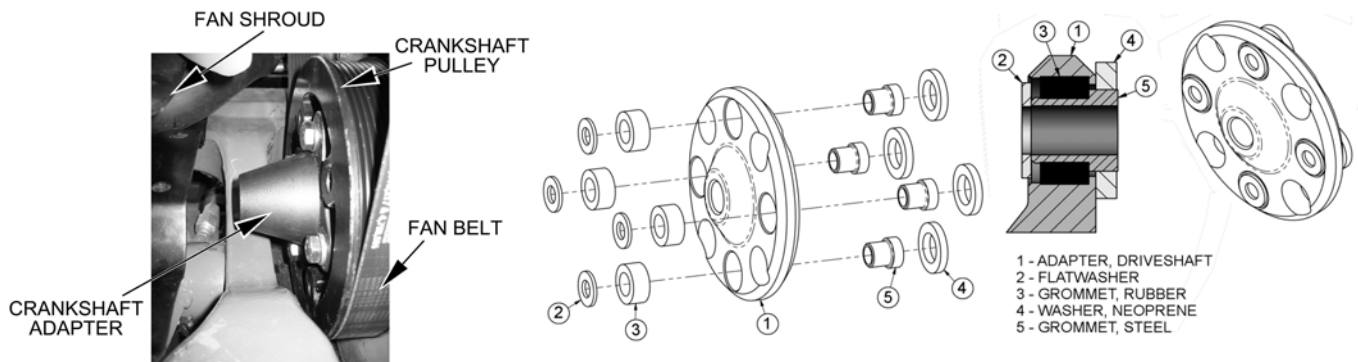
- A. Remove right and left hand steps.
- B. Disconnect battery cables from both batteries.
- C. Remove engine side panels, or raise hood to access front pulley.
- D. Remove plugs from tractor casting where mainframe and pump mount will be attached.
- E. Remove any front weights and weight supports.
- F. Raise the tractor onto jack-stands and remove the right and left rear wheels.

(ASM-JD-0001)

CRANKSHAFT ADAPTER

If necessary, remove the four capscrews from the crankshaft pulley. Then install the crankshaft adapter to the pulley with capscrews and lockwashers as shown in the Parts Section.

(ASM-JD-0051)



ASSEMBLY

FRONT CRANKSHAFT PULLEY

Tiger has found that the front crankshaft pulley used by John Deere will not allow for the installation of a front drive system. You will need to order a different pulley, washer and bolt from John Deere to allow for a front drive to be installed on your tractor.

Inspect the front pulley on your tractor to verify you have the correct pulley needed to mount the spacer plate. If your pulley has the (4) four holes needed to mount the spacer, your pulley is the correct one needed. If your pulley does not have the (4) four holes in the pulley, you will need to order the correct pulley, washer and bolt from John Deere.

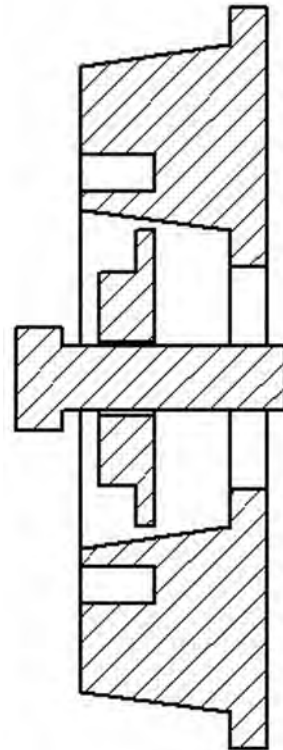
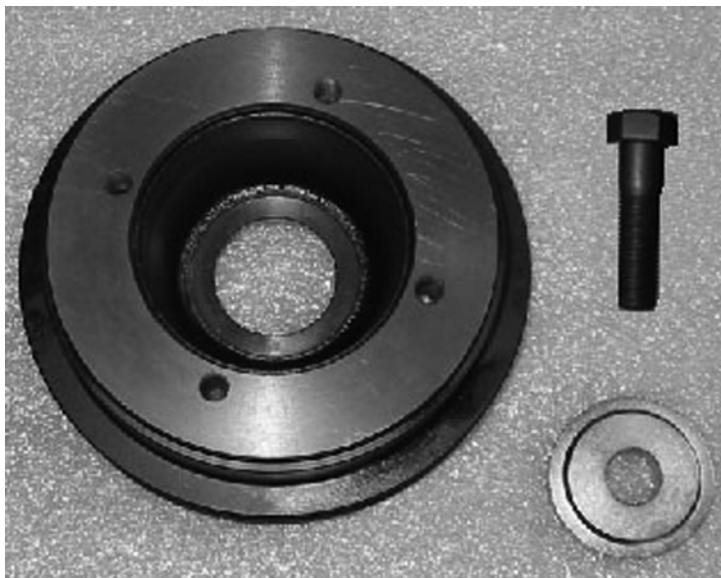
PARTS REQUIRED TO PURCHASE FROM JOHN DEERE:

Pulley from JD - R516320

Washer from JD - R517237

Bolt from JD - R516648

Torque on the pulley bolt with Loctite is 369 lb-ft.



Solution:

1. Clean nose of crankshaft using TY16285 clean and cure primer.
2. Apply a light 2-3mm bead of TY15969 retaining compound around the leading edge of the crankshaft nose.
3. Dip damper mounting capscrew in clean SAE30 engine oil (Always use a new capscrew).
4. Position damper/pulley on the crankshaft and thread capscrew up tight (do not rely on the capscrew to pull the pulley straight onto the taper).
5. Tighten capscrew to specification 500Nm (369lb-ft) (the engine will most likely have to be pinned).
6. Measure run-out on the pulley, spec is 0.003" or less.

(ASM-JD-0080)



ASSEMBLY

DRIVESHAFT AND FRONT PUMP MOUNTING

Install spacer plate on tractor engine using bolts and lockwashers as shown in Parts Section. Grease sleeve section of the driveshaft and install from the side of the engine compartment. Once you have the sleeve section in place, bolt to spacer plate using bolts and lockwashers as shown in Parts Section. Install shaft end of driveshaft through opening and into driveshaft sleeve. Shaft and sleeve yokes should be aligned, if shaft does not insert easily in sleeve, turn shaft 180°, and then install. Align the notches on the shaft and yoke tube as shown in picture below. **Shaft end must be installed in correct orientation, failure to do so may result in damage to tractor and/or driveshaft.** After installation of shaft end, install pump mount. Next, install pump. After pump is secured, install driveshaft in to pump shaft. The end of driveshaft should be no more than 1/2" away from contact with pump housing. Tighten crimping bolt on driveshaft. Lube driveshaft and check all hoses, flanges, the pump, pump mount, driveshaft and mounting plate to ensure all fasteners are tightened before operation.

CAUTION: DO NOT START THE TRACTOR UNTIL ALL HOSES ARE ATTACHED, TANK IS FILLED WITH PROPER OIL AND BALL VALVES ARE OPEN! STARTING AT THIS TIME WILL CAUSE SERIOUS DAMAGE TO THE PUMP. (ASM-JD-0007a)

ADJUSTING REAR WHEELS

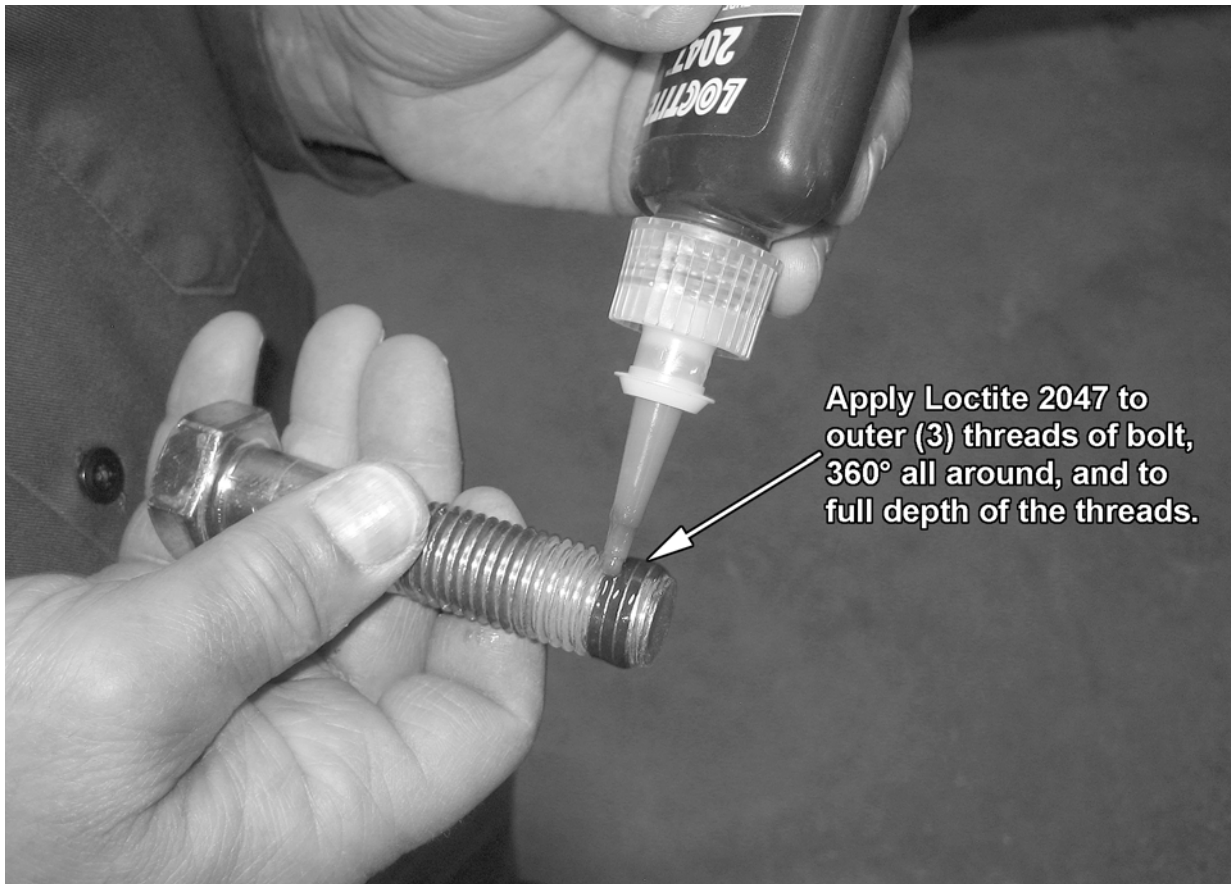
Raise rear of tractor onto jack-stands. **Follow the instructions in the tractor owner's manual for adjusting tires and rims.** The back wheels **MUST** be adjusted to the widest setting. NOTE: This may require switching the wheels to opposite sides of tractor. Also take note of any width restrictions when transporting by trailer. (For ease of installation, it is best to leave the rear wheels removed during installation of the mower.) (ASM-B-0001)



ASSEMBLY

APPLICATION OF LOCTITE 2047 MOWER MAINFRAME MOUNTING BOLTS

All mower mainframe mounting bolts shall be secured utilizing Loctite 2047 and torqued per the Torque Chart in the maintenance section. Shake bottle for 60 seconds before use. To prevent clogging of nozzle, do not allow tip to touch metal surfaces during application. If tip of nozzle becomes clogged, cut off tip as required. If female threads are contaminated or rusty, clean threads by using a thread chaser prior to installation of bolts. Apply thread locker to threads of bolts as shown below. The allowable fixture time is (1) hour maximum. Therefore bolts must be torqued within this time limit. The cure time is 72 hours at room temperature, therefore machine is not to be used in actual application, except for function testing, until the Loctite is allowed to cure.



Apply Loctite 2047 to
outer (3) threads of bolt,
360° all around, and to
full depth of the threads.

(ASM-C-LOCTITE MNT BOLTS)



ASSEMBLY

MAINFRAME INSTALLATION

With an overhead hoist and / or jack-stands, raise one side of the frame up to the correctly matching mounting holes. Install capscrews and other hardware to secure the sides of the mainframe to the tractor casting, as shown on the tractor mount kit page in the Parts Section. DO NOT tighten at this time. Remove the capscrews one at a time and apply a thread locking agent. Reinsert the capscrews and tighten / torque to values noted in the torque chart located in the Maintenance Section of this manual. (ASM-C-0003)

SWITCHBOX WIRING

Power for the switchbox is accessed through the port located on the right rear of the cab. A John Deere plug is used, part number RE67651. DO NOT connect the plug to the cab port until the wiring is completed. The wires in the plug are colored RED, BLACK and ORANGE. **IMPORTANT: The hot wire will be the RED wire or the ORANGE wire.** ALWAYS test these wires to determine which is which. The hot wire needs to be capped. Attach connector 34538 to end of hot wire and tape wire back on itself. The BLACK and other non-hot wire become hot when tractor key is turned to "on." Connect the BLACK wire of the plug to the BLACK wire from the switchbox. Then connect the other non-hot wire of the plug to the hot wire from the switchbox. .

The two GREEN wires must be connected to the neutral safety wire by cutting the neutral safety wire and connecting one GREEN wire to one end and the second GREEN wire to the other. Refer to the switchbox schematic and wiring diagram for additional information.

The Neutral Safety wire is a brown wire located under steering column. Cut a slot in the right side of column to access, WATCH OUT for existing wires.

After connecting the power to the switchbox, route the white wire along the cables or wires to the solenoid valve. (ASM-JD-0245)

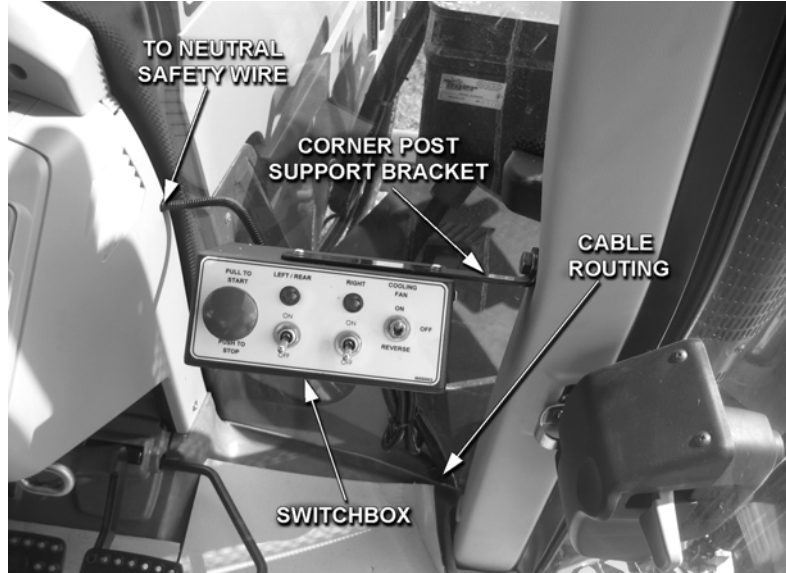


ASSEMBLY

SWITCHBOX MOUNTING

On the right corner cab post, mark a point at 1-3/8" from the windshield and 22-1/2" from the floor, then cut a 3/4" diameter hole through the outer plastic shell. This will expose a threaded steel boss to attach the control box support bracket.

Route cables under the floor of the cab. Secure cables with zip ties and wrap with 6" split hose as needed. Refer to the Parts Section for assembly and components needed. (ASM-C-0053c)

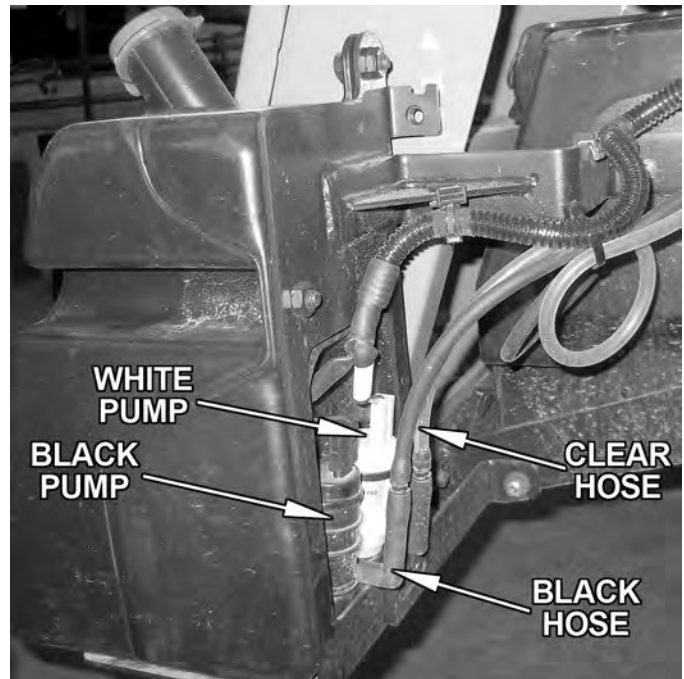


ASSEMBLY

WINDSHIELD WASHER TANK RELOCATION

Installing the main frame requires the relocation of the tractor's windshield washer reservoir.

- Disconnect the electrical connectors and hoses from the pumps on the tank. Note the white connector and the clear hose are on the white pump, while the black connector and the black hose are on the black pump.
- Remove the two bolts securing the tank to the stock mounting bracket. Discard the bolts.
- Remove the three nuts that are securing the stock mounting bracket. Retain this hardware.
- Install the new Tiger windshield washer bracket #06370365 using the hardware from the previous step.
- Reinstall the stock windshield washer reservoir using two 3/8" x 1" capscrews and 3/8" flatwashers.
- Reconnect the electrical connectors and hoses to the pumps.



**WINDSHIELD WASHER BRACKET
#06370365**

ASSEMBLY

INSTALLING BATTERY SUPPORT

- Remove and retain the hardware securing the right hand steps.
- Remove and discard steps.
- Install the battery support #06370366 and secure with the original hardware.



**BATTERY
SUPPORT
BRACKET**

**RELOCATED
WINDSHIELD
WASHER
TANK**

ASSEMBLY

COOLER LOCATION

The cooler mount and cooler are located on the left side of the tractor, and attached to the left hand cab framework. Remove the fuel tank support tube to install the mainframe, axle braces and left riser. Re-attach the fuel tank support tube to the left riser. See the Parts Section for details of cooler installation. *(ASM-JD6M MY20 NEW SIDE COOLER)*



ASSEMBLY

3-POINT DECK TILT CYLINDER

Remove the lift rod from the left rear 3-point arm and replace with the cylinder, clevis ends, and pin furnished in the kit. See Parts Section for parts and assembly.

(ASM-3-PT DECK CYL-0001a JD6M MY20 0 spl)



ASSEMBLY

TWIN ROTARY MOWER INSTRUCTIONS

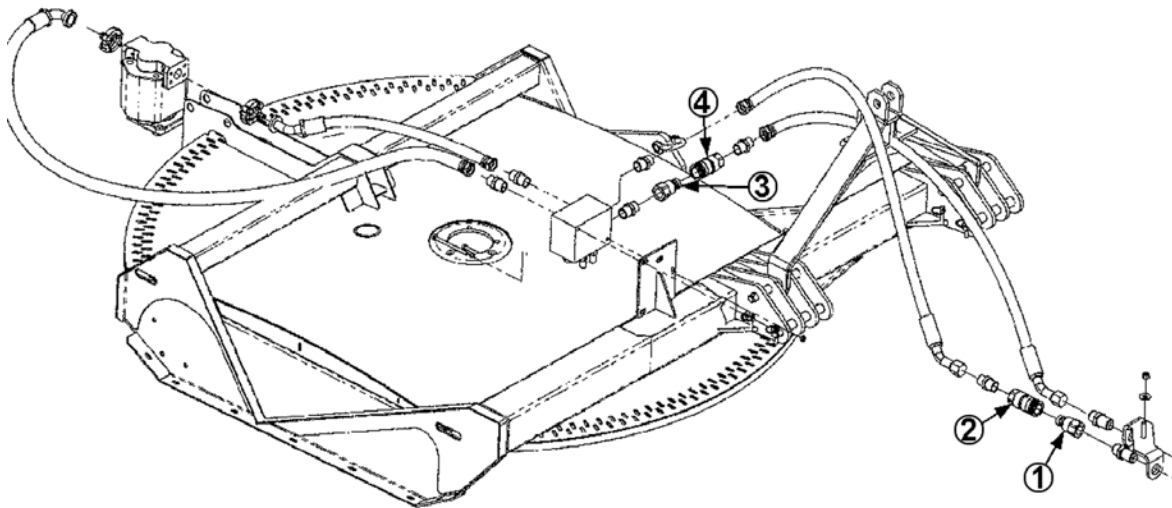
HOW TO REMOVE REAR MOWER

1. Rest rear mower so ground supports it front and rear.
2. Turn tractor off. There should be no hydraulic pressure in hoses at locations 1,2,3 and 4.
3. Disconnect 2 from 1.
4. Disconnect 3 from 4.
5. Connect 4 into 1.
6. Connect 2 into 3.

CAUTION: DO NOT START THE TRACTOR UNTIL ALL HOSES ARE ATTACHED, TANK IS FILLED WITH PROPER OIL AND BALL VALVES ARE OPEN! STARTING AT THIS TIME WILL CAUSE SERIOUS DAMAGE TO THE PUMP.

CAUTION: NEVER DISCONNECT ONLY 2 FROM 1 WITHOUT CONNECTING 4 INTO 1. CATCH AND CONTAIN ANY HYDRAULIC OIL WHEN DISCONNECTING FITTINGS.

(ASM-C-0033)



ASSEMBLY

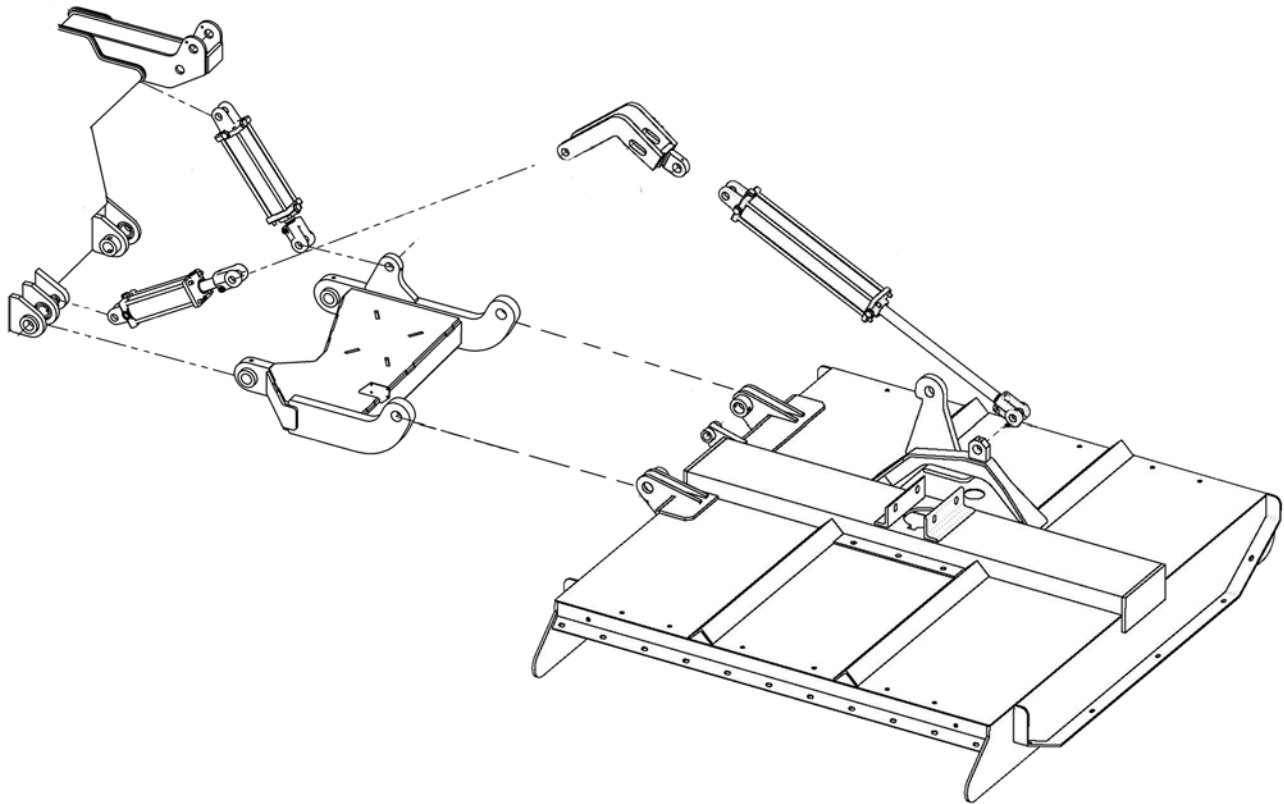
DRAFT BEAM INSTALLATION

Install ½" O-ring breather into butt port of inboard cylinder. Install fittings in the rod end of the cylinder according to the diagram in the Common Parts section. These fittings should be positioned to face the butt end of the cylinder.

Next turn the clevis onto the rod of the cylinder until it is tight against the shoulder and lock into place with locking bolt on clevis.

The inboard cylinder can now be installed into the main frame mast with the pin, flatwasher and R-clip as shown below.

Install all fittings in the outboard cylinder and adjust to point towards the butt end of the cylinder. Attach the hoses as specified in the Parts Section. Slide the cylinder into the draft beam from the outside of the draft beam and attach cylinder to the draft beam with clevis pin and rollpins. (ASM-C-0076 Berm Draft Beam rotary)



DRAFT BEAM MOUNTING

Pull the inboard cylinder piston rod down to the extreme extended position. Slide the draft beam under the cylinder

Using the inboard cylinder as a pivot point, slide the draft beam under the tractor and install draft beam pin. Align hole in draft beam pin with holes in mainframe boss and install capscrew and nylock nut. (ASM-C-0078)



ASSEMBLY

MOWER MOUNTING

Check that all grease zerks have been installed in the draft beams pivot arm, left linkage arm, right linkage arm, and cylinder mounting ears.

Using a clevis pin and roll pins, connect the pivot arm to clevis on draft beam. NOTE: Make sure the longer distance between the cutout and the end of the pivot arm is closest to the draft beam pivot ears on the center tube as shown in the diagram below. Also make sure the cutout on the pivot arm faces into tube of draft beam. (*ASM-C-0077Berm Draft Beam*)

Slide other end of pivot arm with short distance between the cutout and the end of the pivot arm, into the cylinder clevis. Next, line up the holes of the left and right lift linkage arms outside of the cylinder clevis holes. Connect with linkage pin, shims (as required), boss, capscrew, lockwasher and hex nut as shown.

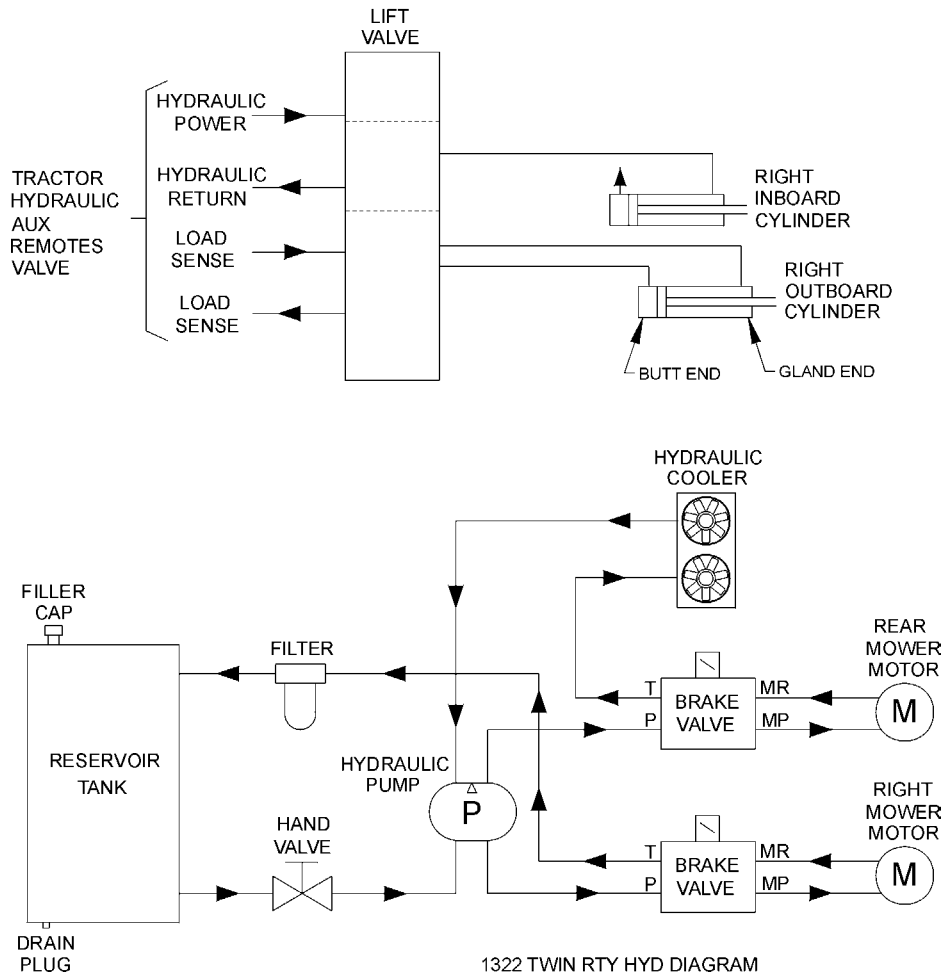
To connect the bonnet to the draft beam, slide the extension arms of the draft beam between the mounting ears on the inner end of the bonnet. Line up the holes and secure with swivel pin, capscrew, lockwasher, and hex nut (both sides). See Parts Section illustration.

Next, slide the left and right linkage arms up to the slotted ear on the side of the deck. Secure with linkage pin, shims, boss, capscrew, lockwasher and hex nut. See illustration in Parts Section.



ASSEMBLY

TWIN MOWER HYDRAULIC DIAGRAM



1322 TWIN RTY HYD DIAGRAM

(ASM-C-0095)

WHEEL WELL HYDRAULIC TANK INSTALLATION

Install all fittings and tubes into tank and tank filter as shown in the Parts Section illustration. Insert tank sight glass onto the tractor side of the tank.

Place the tank in the mounting bracket on the axle brace as shown in the Parts Section. Secure the tank with the hardware provided.

Install the filter gauge into the filter housing so that it points to the rear of the tractor and is clearly visible to the operator. The tank breather cap is ready for use as the tank is filled. Some of these items may already be installed. (ASM-C-0103)

WHEEL SPACERS

When mounting a boom mower, a spacer kit is needed for both rear wheels (part # 06200637). After removing the wheels attach the spacer to the wheel portion of the axle with the hardware provided. When you are ready to re-attach the wheel, the wheel goes on first then the reinforcement ring and finally the hardware provided. (ASM-JD-0099)



ASSEMBLY

FILLING HYDRAULIC RESERVOIR

Refer to the Maintenance Section for filling specifications and hydraulic oil requirements.

NOTE: Starting or running your Tiger mower before filling reservoir will cause serious damage to the hydraulic pump.

(ASM-C-0004hydro resrv)

INSTALLING O-RING FITTINGS

Installing straight, 45° and 90° O-rings requires that the O-ring and washer be up against the swivel body. Insert the swivel and turn in until the swivel is pointed in the desired direction and O-ring contact is made. Hold swivel in set direction with a wrench and turn the O-ring nut away from the swivel body and carefully tighten. *(ASM-C-0056)*

GENERAL HOSE INSTALLATION

Refer to the Parts Section for detailed information about hoses and fittings for this application. *(ASM-C-0011)*

HOSE COVERING

Secure hoses together with zip ties wherever loose. Wrap the hoses between the swivel and main boom with the hose cover provided. Wrap the hoses between the main boom and secondary boom with the hose cover provided. Where hoses may contact the frame or other edges, wrap with split hose and secure with hose clamps or zip ties.

On non-cab units, the pressure and return hoses from the control valve will also need to be routed inside the protective hose wrap. Cover the valve and valve fittings with the hose cover and secure with the string provided. *(ASM-C-0058)*

SOLENOID BRAKE VALVE

Install a solenoid valve on the mounting bracket with the supplied hardware as shown in the Parts Section in this manual. While installing the fittings to the brake valve, the electrical coil on the spool may have to be removed to make room. When reinstalling the coil, it is important to use no more than 5 ft. lbs. (or 60in. lbs.) torque. **WARNING: OVER TORQUE TO THE COIL WILL RESULT IN HYDRAULIC FAILURE OF SPOOL.** *(ASM-C-0025)*

WHEEL WEIGHT MOUNTING

For all tractors using a boom mower, a wheel weight will be required for the rear left side wheel. It will be necessary to mount the weight in the wheel using the long capscrews, lockwashers, flatwashers, spacers (if applicable), and hex nuts per the diagram in the Parts Section.

Installation is most easily done with a fork lift, inserting a fork in the center slot of the wheel weight. The head of the capscrews is to be toward the OUTSIDE of the weight, with flatwashers on both the inside and outside of the assembly.

The left rear tire may also be filled with a mixture of water and calcium chloride at about five pounds per gallon. Tire air pressure should be maintained according to the Maintenance Section. *(ASM-C-0055)*



ASSEMBLY

FINAL PREPARATION FOR OPERATION

Place operator's safety and operation decals on the steering column and side console where they are clearly visible to the operator. These decals should be understood by each operator of the machine in conjunction with the Safety and Operation Sections of this book. The decals are to be maintained in good condition as a reminder to the operator, and should be replaced if damaged.

All bosses, pins and pivot points will need to be greased as instructed in the Maintenance Section of this manual. The hydraulic reservoir can also be filled with the recommended fluid (see Maintenance Section) and the filter installed in the top of the tank. Double check all fittings and fasteners BEFORE starting tractor. Also secure any loose hoses together with zip ties and wrap with split hoses where friction may occur on the hoses.



BEFORE starting or operating the tractor you must read and understand the Safety and Operation Sections of this manual completely.

BE SURE THE BALL VALVES ARE OPEN! Start tractor and allow instruments to stabilize. Using a piece of paper or cardboard as noted in the Safety and Maintenance Sections, check all fittings and connections for hydraulic leaks.

If a leak is found, you must shut down the tractor and set the cutter on the ground. Before attempting to fix the leak, you must actuate the lift valve handles several times to relieve any pressure in the lines.

Before operating the mower, the cutter head and boom should be slowly moved throughout the full range of motion. Watch for any condition that would cause pinching or excess stress on the hoses. The steering and front axle travel should also be carefully moved through their full range of motion. If any condition occurs in which the hoses contact the tires, the steering and / or front axle travel may need to be limited as described in the tractor operator's manual. This should also be done if the tires rub, or are extremely close to any other part of the mower, such as the hydraulic tank or draft beam. This may include adding shims or adjusting stop bolts in the tractor front to solve the problem. While checking motion, you should also check that the control circuits are connected according to the operator's decal for the valve handles.

MOWER TESTING

Take the tractor to a place free of loose objects on the ground. Operate the cylinders through their full range of motion again, to clear the lines of air. Follow the instructions in the Operation Section to operate the mower. Vibration of the mower should be minimal at all times. After a 5 minute test run, the knife bolts should be retorqued, and retorqued once again after the first few hours of operation.

If any parts of this Assembly Section, or any other section of this manual are not clearly understood you must contact your dealer or the address on the front of this manual for assistance! (ASM-C-0010)



ASSEMBLY



CD9 F5 HCB'G97 HCB

UJ ^!aa } A^&a } AÆ

CD9F5HCB

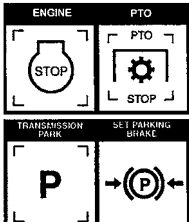
["&8 lga ci bhjb] 'h YHfUwcf

Ó-+|^Áã{ [] } ǵ * Éǵ æ Á@Áíæǵ | Áǵ áÁǵ]|^ (^) ǵ } ÁæÁæ [] æǵ | Á^ǵ^Á~ | æǵ Éǵǵ]|^ Á@Á æǵǵ * Áíæ^É æǵ | Á@Á } * á^Áǵ [] } Áǵ áÁǵ , ^| Á@Áǵ]|^ (^) ǵ } Á@Áí [] } áÉÁ@ ǵǵ [] } Á@Áíæǵ | Á } * á^Áæǵ | áǵ * Áí Á@ []|^ æǵ | ǵǵ æǵ ~ æǵ Éǵ^ ([ǵ^ Á@Á^ Éǵǵ áǵ æǵ Áí | Áǵ | Á [ǵǵ] } Áí Áǵ []|^ ǵ | Áǵ]|^ Éǵ^ Á^ Áæ^ Á@Á^ æǵ } ǵ Á@ dæǵ | Éǵ Á } * á^ Áǵ áÁǵ | Á [ǵǵ * Á æ@ Á@æ^ Áǵ { ^ Áí Áǵ {]|^ ǵǵ]|^ É

W^ Á@ǵ áÁæǵ Áǵ áÁǵ } • Á @ } Á ǵǵǵ * Á@ Áíæǵ | Éǵ^ Áæǵ ~ | Á - Á []|^ Áǵ } Áǵ áÁ^ Á dæǵ æǵ } Á @ } Á ~ áÉ æǵ Éǵ [] , Á | Á ǵ@ | Á æǵ | Á@æ Áæǵ { ~ | æǵ áÁ } Á@ Áǵ } • Á | Á@ǵ áÁæǵ Éǵ W^ Áæǵ | Á@ǵ áíæǵ Áǵ áÁǵ } • Áí | Á } []|^ ǵ } áÁ^ ǵ^ Áí • @ | Á {]|^ Á - Á@ Áíæǵ | Éǵ OPS-U-0009_A



000U00Aæǵ * Á@ Áíæǵ | Á^ æǵ, æ • Á^ Á@ Á æǵǵ * Áíæ^ Áǵ áÁǵ | Á^ ǵ @ Áíæǵ | Áí æǵ • { á • á } Áǵ Á æǵǵ * Á^ áÉǵ á^ } * æ^ Á@ ÁUVU Éǵ]|^ Á@ ^ } * á^ Áǵ [ǵ^ Á@ Á^ Éǵǵ áǵ æǵ Áí | Áǵ | Á [ǵǵ * Á æ@ Áí Áǵ]|^ ÁUVU Á@ dæǵ | Á @ Á^ ǵ^ Áǵ d Áæǵ , Áæǵ * Á | Á æǵǵ * Á^ áÉ Áí^ ǵ } ǵ@ Áíæǵ | - [{ Áí | áǵ * Éǵ^ ǵ^ Áí { [] } ǵ@ Áíæǵ | Á@æ^ Áí [ǵǵ * Á | Á @ Á@Á } * á^ á Á } } á * ÉÁ]|^ Áæ^ Á@ Áíæǵ | Áǵ]|^ d [| • Á { Á@ Áíæǵ | Á^ æǵ }|^ Éǵ 00ÉD



CD9F5HCB

["GH5 FHb; 'H<9 HF57HCF

V@Á ||^ æǵ | Á ~ • Á@æ^ Áæǵ {]|^ Á } á^ • æǵ áǵ * Á - Á@ Á | æǵ { ^ } ǵǵ } ǵǵ } Éǵ áÁ ||^ æǵ } æǵ • Á^ Á - Áǵ dæǵ | Áǵ]|^ d [| • Á - | Á^ æǵǵ * Á@ Áíæǵ | Éǵ^ Á@ , Á@ Áíæǵ | Á ||^ æǵ | ǵǵ æǵ ~ æǵ áÁ } • | ǵǵ Áæ ǵ | á^ á á^ æǵ | Áí | Áíæǵ | Á ||^ æǵ } Á • d } ǵǵ } • Á^ Á^ á^ á^ É

9ggYbhjU HFUwcf 7 cbf c'g.

- ~ Sǵ ǵæ Á@ Áí @ Áǵ } d [| Á , áæ ǵǵ
- ~ Sǵ ǵæ Á@ Á } * á^ Á @ ǵ - Áǵ } d [| É
- ~ Sǵ ǵæ Á@ Áíæ^ Á^ áæǵ Áǵ áÁ@ Áǵ ~ ǵ @ É
- ~ Sǵ ǵæ Á@ ÁUVU Áǵ } d [| É
- ~ Sǵ ǵæ Á@ Áí [á ǵ @ áæ ǵǵ } d [| Á^ ǵ^ É
- ~ Sǵ ǵæ Á@ Á@ áíæ | á^ Á { [ǵǵ]|^ d [| Á^ ǵ^ É

6 YzfYghfjb] 'h YHfUwcf Ybgi fYH YZ`ck] b[."

- ~ Ó [] á^ ǵ @ Á | Á^ É æǵǵ ||^ æǵǵ } Á •]^ ǵǵ } Áǵ áÁ^ ǵ @ Áæǵǵ | áǵ * Áí Á@ Áíæǵ | Á ||^ æǵ | ǵǵ æǵ ~ æǵ É
- ~ T æ^ Á^ | Á^ Á^ æǵ • Éǵ @ | á • Éǵ áÁ @ | Á æǵ ǵ^ Á^ ǵ @ Á^ Á^ & | Á^ | Á^ Áæ É
- ~ V@Á æǵǵ * Áíæ^ Áí } É
- ~ V@ÁUVU Áǵ]|^ d [| Á^ ǵ^ Áí Áí^ } * æ^ á^ á^
- ~ V@Áí [á ǵ @ áæ ǵǵ]|^ d [| Á^ ǵ^ Áí Áí^ Á@ Áí , ^ | á^ Á [• áǵ]|^ É
- ~ V@Á@ áíæ | á^ Á { [ǵǵ]|^ d [| Á^ ǵ^ Áí Áí^ Á@ Áí^ d æǵ [• áǵ]|^ É
- ~ V@Áíæǵ | Áí æǵ • { á • á } Á^ ǵ^ Áí • Áí Áí æǵǵ | Áí^ d æǵ É

Ü^ Áí Á@ Áíæǵ | Á ,]|^ ǵǵ æǵ ~ æǵ Áí | Áíæǵ | Áíæǵ * Áí [& á^ | Á • ÉÁ]|^ Á æǵ @ Áíæǵ | Á @ Á^ Áæ^ áÁǵ á á^ ǵ áÁ Á@ Áíæǵ | Á ||^ æǵ | ǵǵ Á^ Áí^ æ • Á@ Áí } áǵ } Á , áæ ǵ^ Á @ | ǵ @ áæ áǵ * Á@ Áíæǵ | Á []|^ [áÉ ǵ @ Áíæǵ | Á } * á^ Áí^ Á } } á * Éǵ [áí áæ áí^]|^ æǵǵ } æǵǵ á@ Áíæǵ | Áí æǵ • { á • á } Áí Áí^ ǵ^ ǵ^ áá^ } æǵ áÁ } ^ ǵ^ Áíæǵ | Á [ǵ^ (^) Éǵ OPS-U-0028

CD9F5HCB

CD9F5HCB

V@Á] ^|æ[i q Á æ ~ æÁæ áÁæ^c Áá } • Áæ-á^áÁ }
c@Á } áá } æÁ } [[i æ] o q • d ~ & q } • Á } Á@Áæ
æ áÁ : [] ^|Á • ^ Á Á@Á ~ q { ^ } d Á æ æ æ Á@ • ^
á] [i æ] o q æ^c Áæ i ^ Á } Á@Á } [] { ^ } o q Á [i á
& } áá } Á Á } • ^ Á@Á } [i æ } Á Áæ æÁ^ ÁÁ
c@Á] ^|æ[i Áæ ÁÁ Á ^ • É

" Ö) • ^ ÁÁæ^c Áá } • Áæ ÁÁ } æ ÁÁ } áÁ* á | É
Ü] |æ Á Á { á • á * É áæ æ^áÉ æ áÁ | ^ á |
á^æ æ É OPS-U- 0011_A



Op-14

NOTE: The mower Operator's Manual and affixed Decals contain important instructions on the safe and proper use of the mower. Maintain these important safety features on the mower in good condition to ensure the information is available to the operator at all times.

ÖUÖF ÖÄÖUÖT ÖSY

" Ö) • ^ Áæ } áá } Á Á [~] q * Áæ ^ Á ^|á { ^ } d
" Ö) • ^ Áæ } áá } Á Áæ ^ ÁÖ • ^ { á | É
" Ö) • ^ ÁÁ | Á | Ö Áæ áÁ & ^ , • Áæ ÁÁ Á [• áá } Áæ á
æ^Á | [] ^| Á Á | ^ ÁÉ
" Ö) • ^ ÁÁ á • Áæ ÁÁ Á |æ Á Áæ áÁæ c^ áÁ æ@
• & ^ • É
" Ö) • ^ ÁÁæ ^ ÁÁ Á | [] ^| Á Á [~] c áÁ q Á d æ d |
æ áÁ c áá , æ^Á áÁ : [] ^| Á á • æ^ áÁ æ á
d @ ^ áá OPS-R-0099



Ops-1250



Ü | æ ç^ Á@ á | æ | æ Á | ^ • • ^ Á Á | Á Á Á | q * Áæ ^ Á æ c } æ & Á Á ^ | æ Á [i Á } Á@ÁQ] [^ } ^ } d
Ü | æ Á@ Á [, ^| Á ^ æ Á } Á@Á | ~] áÁ | Á ^ & ^ | ^ Á ~] [i c áÁ } Á [& • Á | Á æ á • É á ^ } * æ^
c@ ÁÜVU Éæ áÁ } Á Á@Á } * á ^ É Á • @æ áÁ ~ | Á@Á } d [i Á ç^ Á • Á Á ^ • æ Á ç^ Á æ Á ^ •
d Á | æ ç^ Á | ^ • • ^ Á Á | Á Á Á æ c } æ & Á Á ^ | æ Á [i Á ÜÖT É D



Ö ^ ç^ Á Áæ [] c Á Á á | æ É æ b • d Á | Á [ç^ Á æ | æ Á [{ Á@ÁQ] [^ } ^ } c @ Á Á Á Á
[{ c } Á | Á @ Á Á æ d | Á } * á ^ Á Á } } á * É ÜÖT É D

VY Ö ÄÜVÖEÜ

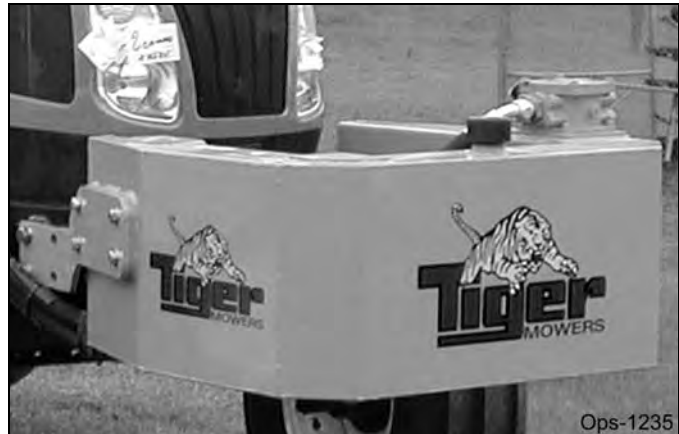
U] ^|æ[Á ^ & q } Á É F

CD9F5HCB

CD9F5HCB

YOU OWNERS MUST READ

- Read and understand the safety instructions before operating the machine.
- Do not drink alcohol or use drugs before operating the machine.
- Do not operate the machine if you are tired or if you have been drinking alcohol or using drugs.
- Do not operate the machine if you are under the influence of alcohol or drugs.
- Do not operate the machine if you are wearing medication that affects your vision or reaction time.



Ops-1235

Read and understand the safety instructions before operating the machine. Do not drink alcohol or use drugs before operating the machine. Do not operate the machine if you are tired or if you have been drinking alcohol or using drugs. Do not operate the machine if you are under the influence of alcohol or drugs. Do not operate the machine if you are wearing medication that affects your vision or reaction time.

OPS-R-215

WARNING

Read and understand the safety instructions before operating the machine.

Do not drink alcohol or use drugs before operating the machine. Do not operate the machine if you are tired or if you have been drinking alcohol or using drugs. Do not operate the machine if you are under the influence of alcohol or drugs. Do not operate the machine if you are wearing medication that affects your vision or reaction time.

WARNING

Read and understand the safety instructions before operating the machine. Do not drink alcohol or use drugs before operating the machine. Do not operate the machine if you are tired or if you have been drinking alcohol or using drugs. Do not operate the machine if you are under the influence of alcohol or drugs. Do not operate the machine if you are wearing medication that affects your vision or reaction time.

CD9F5HCB

CD9F5HCB

ÜUVÖÿÁÒÖÖÁÐÙÚÒÖVQÞ

- " Q•] ^&0À|ææ^•Áæ} àÀ|ææ^Áæ| |ø ÁÏ !Á| [•^) ^•• æ} àÁç&•• ã^Á^ æÈÚ| æè ÁÏ €»ÁÏ Á æ^ÁÏ ! &@& ã * Á^æ æÈÚ^| æè Áææ æ^áÈÁ, [!] È æ} àÁ{ ã•ã * Áà|ææ^•Áæ Á& [] |ø Á^•ø Áç { æ} æ} Á| æè Áææ} &È
- " Ö)~ !^Áà|ææ^Á&æ| æ| Á)~ ø Áæ^Áç !~^ áÁç]! [] ^!Á^ ^&æææ} •È
- " Ö)~ !^Á^ àà^! Á^ ^&ç !• Áæ^ Áç Á [•æ} Áæ} à } [Áææ æ^áÈÚ^| æè Á, [!] È à! [\ ^] È æ} à { ã•ã * Á^&ç} •Á { ^áæ^ È
- " Ö)~ !^Á@ á!æ |æÁ^• Áæ^ Á! [] ^! | Á [] ^&ç á ç Á@ Á@ á!æ |æÁ [ç | È Ö @ & Á! Á@ á!æ |æ |æ • Áç [] * Áç • Áæ} àÁææ * È Ö Ú Á Ú V Á • ^ [^! Áæ} à ÁÏ &@ & ÁÏ ! Á ç æ • È V • Áæ} æ & [Á@æ^ Á] æ^! Á! Á&ææà| æáÁç Á@ & Á! | @ á!æ |æÁ ç^æ • È
- " Q•] ^&0ø ÁÏ } áææ} Á Á^ & Á | æÁ ç Á^• Áæ} àÁææ, æ^ È OPS-R-216



WARNING

Ö! Á [ç] ø Áæ} à ÁÏ Á^ Á } á! Á [, ^! Á^ & • È Ö | æè^ Á Ö [] æè & ç Á^ ~ | ç ã Á^! ç • Á ç | ^ Á! Á ç^} Á^æè È Ú çè Áæ} æ Á } ç Á ç | Á [ç] Á ç Á ç [] ^ á æ} à Á@ Á^ & • Áæ^ Á^ & ! ^ | Á [& ^ á Á] È Á



VY Ö Æ ÜUVÖÿ

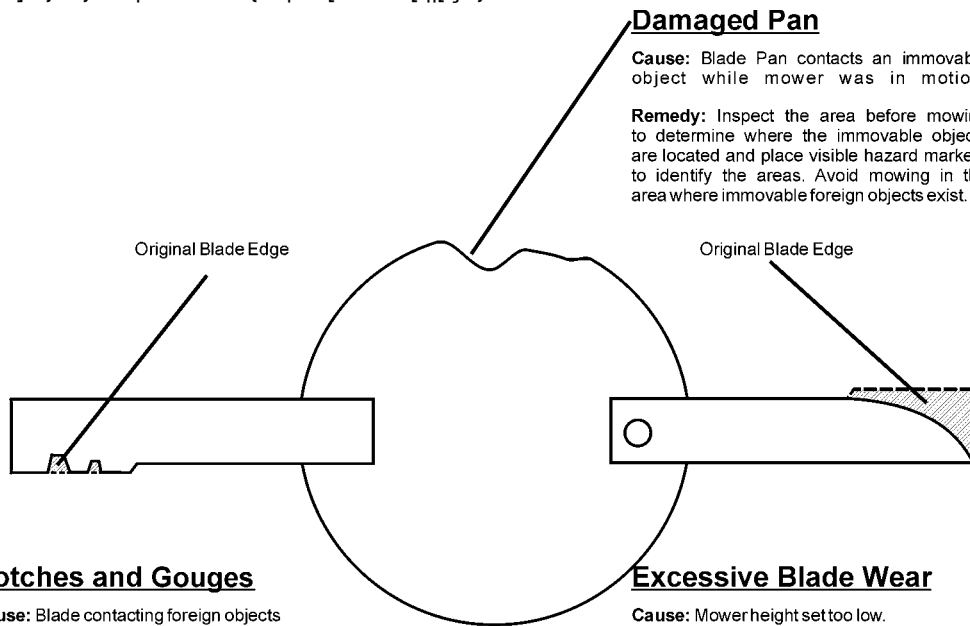
U] ^! ææ} Á^ & ç } Á È |

CD9F5HCB

CD9F5HCB

Blade Damage

OPS-U-0031



Damaged Pan

Cause: Blade Pan contacts an immovable object while mower was in motion.

Remedy: Inspect the area before mowing to determine where the immovable objects are located and place visible hazard markers to identify the areas. Avoid mowing in the area where immovable foreign objects exist.

Original Blade Edge

Original Blade Edge

Notches and Gouges

Cause: Blade contacting foreign objects

Remedy: Inspect the area to be mowed and remove foreign objects that could cause damage to the blades

Excessive Blade Wear

Cause: Mower height set too low. Blade used past intended life.

Remedy: Replace blades more often. Adjust mower height for mowing conditions to eliminate blade-to-ground contact

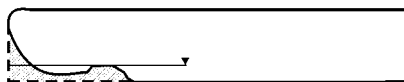
Op-22



Replace blades in pairs after no more than 1/2" (12.7mm) wear

- " 1. Inspect blades for damage before mowing.
- " 2. Replace blades in pairs after no more than 1/2" (12.7mm) wear.
- " 3. Adjust mower height for mowing conditions to eliminate blade-to-ground contact.
- " 4. Avoid mowing in areas with immovable foreign objects.
- " 5. Place visible hazard markers to identify areas with immovable foreign objects.

Replace blades in pairs after no more than 1/2" (12.7mm) wear



1/2" MAXIMUM
(12.7mm)

Original Blade Edge

NOTE:
Replace Blades in pairs after no more than 1/2" (12.7mm) wear
Op-23

CD9F5HCB

CD9F5HCB

Excessive Blade Bolt Wear

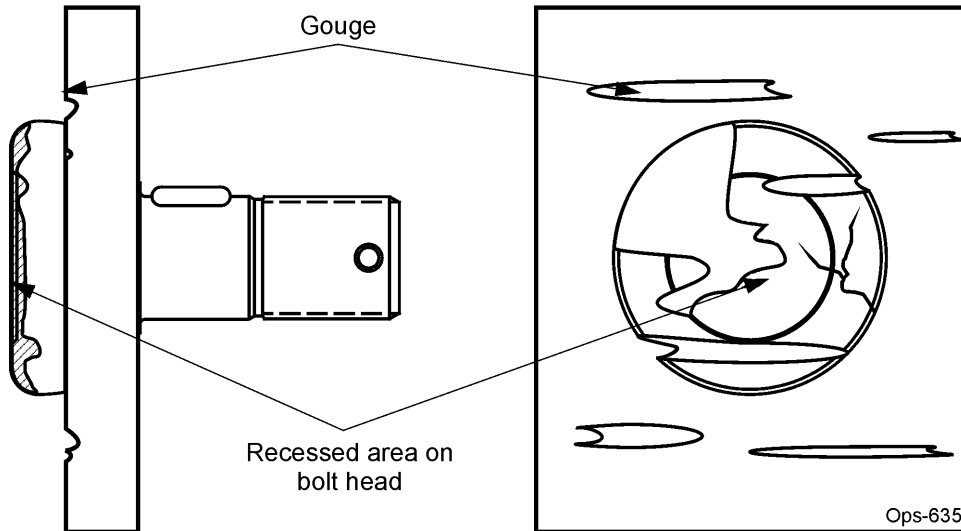
Cause: Blade Bolt contacts a foreign or solid object while Blade is in motion.

Remedy: Inspect the area before mowing to determine where the foreign objects are located and place visible hazard markers to identify the areas where immovable foreign objects exist, and avoid hitting the objects.

Notches and Gouges

Cause: Blade Bolt contacting foreign objects.

Remedy: Inspect area to be mowed and remove foreign objects that could cause damage to the blade bolt.



⚠ DANGER

Q.] ^ & o @ A O | a a ^ A O [| o P ^ a a . A a a A | A a } [: { a A ^ a E U O U S O E O A O U V P A O S O E O A O U S V U A }
 o @ A O | a a ^ . A T O O O V O S Y A a o : A | a a ^ A [| o A o K

- ~ X a a | ^ A a a . A | A
 - ~ Q a @ A ^ & . . ^ a a a a a } A | a a ^ A [| o A A [:] A - A | A
 - ~ Q O | a a ^ A O [| o @ A ^ ~ * ^ . A | A & Q] ^ a a a a e E
- O a a ~ | ^ A | A ^ | a a ^ A a } [: { a | A [:] A | a a ^ A a [| o A a e A a a A | A e a e d [] @ A a a ~ | ^ A - A o A | a a ^ . A a a A a b & a } A ~
 o @ A a [\ ^) A a a A a a a a e A a e . ^ A a a ~ . A [a a A b | ^ A | A a a e E

5 ' k U n g ' f Y d ' U W ' 6 ' U X Y 6 c ' l g ' k] H ' b Y k ' V c ' l g ' k \ Y b Y j Y f ' f Y d ' U W] b [' H Y 6 ' U X Y g ' A O P S - U - 0 0 3 7

VY O A U V O E Y U] ^ | a a } A ^ & a } A E I

CD9F5HCB

Tractor PRE-OPERATION Inspection



Mower ID# _____ Make _____

Date: _____ Shift _____



WARNING 6 YZ:fY Wc bXi W]b['H Y]bgdYW]cbžā U_Ygi fY'H Y'fUWcf`Yb[]bY]g'cZZU`fchU]cb \ Ug'gfcddYX'UbX'H Y'fUWcf`]g]b'dUf_`k]H 'H Y'dUf_]b[`VfU_YYb[U] YX" AU_Ygi fY H Y'a ck Yf`]g'fYgh]b[`cb'H Y[fci bX'cf`gYW fYmV'cW_YX'i d'UbX'U` \ mXfUi `]W dfYggi fY\ Ug`VYYb`fY]Yj YX"

Item	Condition at Start of Shift	Specific Comments if not O.K.
The flashing lights function properly		
The SMV Sign is clean and visible		
The tires are in good condition with proper pressure		
The wheel lug bolts are tight		
The tractor brakes are in good condition		
The steering linkage is in good condition		
There are no visible oil leaks		
The hydraulic controls function properly		
The ROPS or ROBS Cab is in good condition		
The seatbelt is in place and in good condition		
The 3-point hitch is in good condition		
The drawbar pins are securely in place		
The PTO master shield is in place		
The engine oil level is full		
The brake fluid level is full		
The power steering fluid level is full		
The fuel level is adequate		
The engine coolant fluid level is full		
The radiator is free of debris		
The air filter is in good condition		

Operator's Signature: _____

DO NOT OPERATE an UNSAFE TRACTOR or MOWER

V@AQ·^&ā } A] ;{ Á æ Á^Á^Λ^ Á~]|Bæ^áÁ!Áccā&] | ā•È

VY @ÄÜVÖËÿ U] ^!æā } Á^&ā } ÁÈï

CD9F5HCB

CD9F5HCB

Rotary Mower PRE-OPERATION Inspection



Mower ID# _____ Make _____

Date: _____ Shift _____



WARNING Read the operator's manual before operating the tractor. The tractor is designed for use only as a tractor. Do not use the tractor for any other purpose. The tractor is not to be used for transport. The tractor is not to be used for any other purpose. The tractor is not to be used for any other purpose.

Table 1:

Item	Condition at Start of Shift	Specific Comments if not O.K.
The Operator's Manual is in the canister on the mower		
All safety decals are in place and legible		
The hitch connection bolts & pins are tight		
There are no cracks in hitch		
The hydraulic cylinders pins are tight		
There are no leaking or damaged hoses		
The mower deck is clear of cut grass and debris		
Chain guards/deflectors are in place & in good condition		
Blade carrier retaining nut is tight		
Blades are not chipped, cracked or bent		
Blade bolts are tight		
Wheel lug nuts are tight		
Transport locks are in good condition		

Operator's Signature: _____

DO NOT OPERATE an UNSAFE TRACTOR or MOWER

CD9F5HCB

CD9F5HCB

CD9F5HCB

+ " F Uqlbl 'h YAck Yf

W a * A @ A a d i A H [a A @ A] d [l A ^ c ^ i E a a ^
 c @ A [, ^ i A ~ A @ A i [~ } a A a [~ o A H i A o . A @ @
 ^ } [~ * @ A A ^ a a } ^ A i [~ } a A a . a a ^ . E

OPS-R-0042_A



+ " '8 f i j l b l 'h YHfUWcf 'UbX' a d `Ya Ybh

U c a d o f ~ A i a q a * A a a A [, A] ^ a a A a A i a a ~ a f A a & a e ^ A [~ i A] ^ a A @ A a a a a * A [{] l c ^ A [} d [l A ~ A @
 d a e d [A a } a A } a A [c a * A [, l A a A . o A a l a e [A i ^ c ^] o A @ A a d i A [{ A a a * A] A a a [. . A ~ A c ^ i a * A [} d [l E
 V @ A i a d i A @ ~ l a A ^ c ^ i A a A [] l i a e a A a A] ^ a . A @ a A a [] o A ^ A a e ^ i A a a l a A i A @ @ A a l A i ^ c ^] o c @
 [] l i a e i A [{ A d [] a * A ~ a l A i a * A a { ^ i ^ } & E A @ A [, l i A c ^ i a * A i A] * a ^ A a e ^ . A] l i a e a * E d []
 c @ A i a d i A [{ ^ a a e ^ l A a A o A i a d i A a l A ^ A a a ~ l o A A [} d [l E

U l i [{ A c }] . A a o A @ A i a d i A a a } a A a [, A] ^ a . A i A a c ^ i { a ^ A @ , A o A i a d i A a o A a A a a a @ a A [, ^ i
 @ a l . A a c }] E A ^ c ^ i { a ^ A @ A a e ^ A] ^ a A i A a a a A i [] l i A [} d [l A ~ A @ A i a d i A @ } A a a * A c }] . E A a [,
 a a a a } a A ^ a a a & A i A @ A } a A @ } A c }] a * E

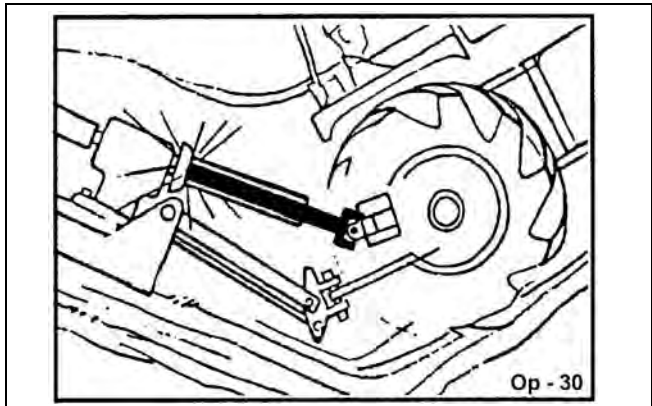
V l A e [a A c ^ i c }] . E a i a ^ A o A i a d i A a o A a a A a a a a e ^ A] ^ a . E A . ^ a a f A @ } A [] l i a e a * A c ^ i A [~ * @
 * i [~ } a E [. . a * A a a @ . A i A [] ^ . E a a a c }] a * A [] l i . E A i a d i A @ ^ l A ^ a a A] a a a * A @ ~ l a A ^ A a & a e ^ a
 , @ } A [l i a * A] A a & a ^ . A i A [~ * @ A i [~ } a A A a ^ & A o A [. . a a a A A a] a * E

W ^ A c d ^ { ^ A e e c } A @ } A [] l i a e a * A } A c ^ i A [] ^ . E A ^ A] A o A i a d i A a A a [, A a a A @ } A [a * A [, } @ l E A O U
 P U V A [a e o f i A ^ A E } @ ^ l A [, } @ l E A OPS-U-0014_A

+ " '7 f c g l b l '8 l H W Y g ' U b X ' G h Y d ' b W l b Y g

Y @ } A [. . a * A a a @ . A a o A c ^ i A a a \ . A i A [a * A]
 . @ a } A a & a ^ . E A A [. . a ^ A c a a @ A i a d i A H [a c
 a e { . A a a [c f { A ~ E A V @ A } ^ A a a ~ . a ^ A] l i a e a }
 a a A e e ^ A i a ~ . A a a a e ^ A A o A i a d i A a a A [, ^ i E

OPS-R-0020_A



Op - 30

VY @ A U V O E Y

U] l i a e a } A ^ a c } A E F

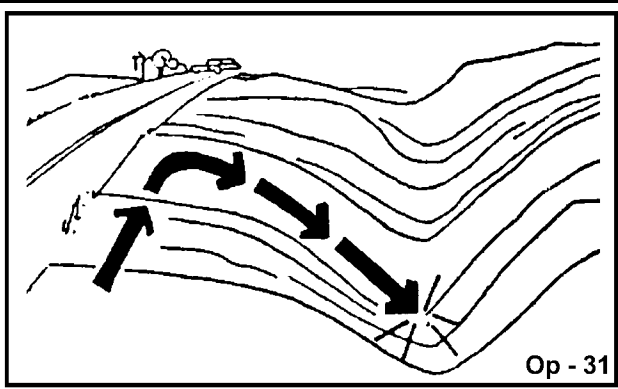
CD9F5HCB

CD9F5HCB

+06

Y @ } A [] - [] c a A a c A e A e & j a A A a e c A [A [c a e] [] e c A [{ A e A e * ^ A c c A A ^ [] a e | e A | • d a e c A } A e A e e a A e A e & i E

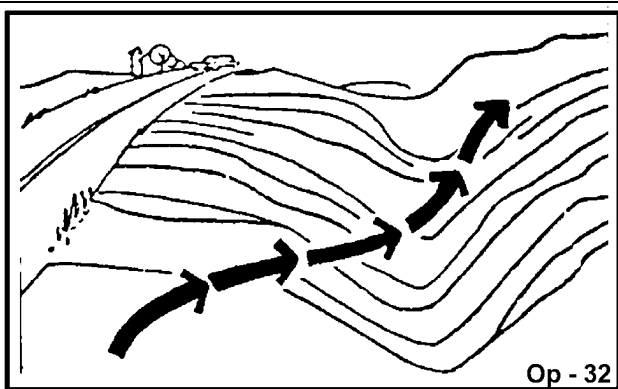
Y @ } A [] •• a * A ~ & c A [] e c A [] [] ^ [] a c A [] a a A ~ [] A [] ^ a A [] A e [] ^ A e c A [] A i a e c A e a a a A e a e c A OPS-R-0021_A



INCORRECT: DO NOT approach ditch straight on

Q & j a ^ • A e a A a e c • A c ~ [a A A e] [] e c a A e [] * A e [a j a A c c A A e A e * ^ A e A c , } E A c A c ^ A ~] e c A [] A a ~ & A c A [] •• a e c A A e e a A e c A c * i e a e } c A A [A c ^] A c e c A ~ & c A e A e [] [] e c a j & ^ e a ^ A c A [] •• a e c A A e a e c d i A [] e c A i E A i ^ & c e A e c i } e A [] •• a j a e c A

Y @ } A [] ^ i e a * A c A i e c d i A e a A [] ^ i A e [] •• [] ^ • A e a a e & j a ^ e c [] ~ c A a e c • E e a a A c e [] ^ c ^ } A e [] e c A [] a a e } • E e A e [] [] e c a e A e e e e • ~ e a } c A e A A [] [] a A ^ e e e & E A c e a A e } e e c , e c a c A [] [] a A e A e e • A [] e A [] & A e a A c e i a a i a A A A c [] } A ~ c A [{ A } a A A c A [] ^ i ^ • [] a * A [] •• a i A e b i A e a p i A [] [] ^ i c A e e a e O i [] a A [] e c A e [] A [] a ~ & A e A c ^ i A c A e A [] e a [] A c A [] ^ i A i c A e a A A c A [] ^ i A i e a ^ i ^ • [] a * A [] •• a i A e e a A e a A [] { e i A A e E OPS-R-0022_A



CORRECT: Approach ditch at an angle

CD9F5HCB

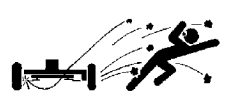
CD9F5HCB

WARNING

T æ ^ A ç æ ã ä Å à b & ð È ~ & @ Æ Å ä Æ Æ æ Æ È Æ [] ^ È Æ ; Å & @ æ • È & æ Æ Å & Æ { ^ Å } æ * | ä Å Å @ [] ^ Å æ æ * Å æ ð Å Å @ Å [, ^ Å @ æ Æ Å / @ • ^ Å Æ { • Å Æ | ä Å @ } Å , æ * Å ~ ð æ Å @ Å @ ~ • æ * Å æ * | ^ æ Æ Å Æ | & æ Æ Å @ Æ Å @ Æ | æ æ Å ~ È Å ~ & @ Æ Å æ æ æ Æ Å ç Æ { ^ | Å æ æ ã | ~ Å æ ä Å | | ä Å ~ | ç ä Å | ~ Å Æ b | ^ Å | Å ç ^ } Å ^ æ @ È Å •] ^ & Å @ Å & æ * Å æ æ Å | Å ~ & @ Å à b & ð Å Å ^ | ^ Å [, æ * È Û { | ç ^ Å } ^ Å Å à b & Å [{ Å @ Å æ È Å ^ ç ^ Å | , Å @ Å & æ * Å | æ Å • Å | Å Æ { æ Æ Å ~ & @ Æ { • È ð Ö T È Æ D

DANGER

Û | æ ^ Å [, ^ Å | Å æ Å & æ æ | Å } å | Å æ ç ^ | ^ Å Æ | ä æ } • Å Å @ [, æ * [à b & ð Å | Å | ^ æ Å æ æ & • Å ç È Å ^ ç Å | Å [| ^ D æ ä æ æ * Å Å | ä ~ • Å Æ b | ^ | Å ^ æ @ È Å || , Å æ ç Å ^ • • æ Å • Å æ ~ | È



GHCD'ACK-B; ' = 'D5 GG9F G6 M5 F9 'K # < -B" \$\$: YhI B @ GG.

È [] ç æ ä Å ^ æ Å ^ - Å & ð | • È Ö @ æ Å ~ æ ä • È | Å ç æ ä • Å æ Å Æ • ç | Å Å æ ä Å Å Å [| ä È [| | æ Å Æ] ä æ } L

È [, ^ Å æ Å ~ } } æ * Å Æ | ^ Å | Å æ ä Å æ æ | Å | Å @ Å | [~ } ä Å æ ç ~ Å ç [• ^ Å Å | æ Å • L

È Û æ • ^ | • à Å æ Å ^ ~ ð æ Å @ Å ç ä ç * Å @ [,] È à b & Å [] ^ Å

È | Å æ æ Å @ æ Å Å ^ } Å ç | [~ * ç Å •] ^ & ç ä Å æ ä Å æ | Å | ^ ä } Å æ | æ Å ~ & @ Å Å [& | È & æ • È * | æ • È æ ä Å ^ } ^ | ç Å à | ä Å @ Å ^ } Å { | ç Å È

NOTE: Where there are grass and weeds high enough to hide debris that could be struck by the blades, the area should be: inspected and large debris removed, mowed at an intermediate height, inspected, closely with any remaining debris being removed, and mowed again at desired final height. (This will also reduce power required to mow, reduce wear and tear on the Mower drivetrain, spread cut material better, reduce streaking, and make the final cut more uniform). Å ð Ö T È Æ D

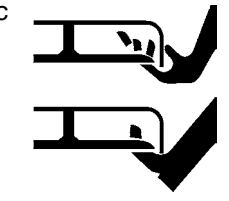
WARNING

Ö | Å [ç Å @ Å Å | æ Å • Å ~ } Å @ } Å @ Å [, ^ Å Å & Å Å Å æ Å Å | Å æ ^ | ^ æ [] È æ & | ä æ * Å | ^ æ æ æ & Å | Å | Å ç } } æ * È Å æ æ * Å @ Å [, ^ Å Å & Å ç [• ^ Å @ Å ~ ç * Å | æ Å • Å @ Å Å ^ æ • Å æ | ç } ç æ | Å Å | ä ~ • Å @ æ æ ä ç ä Å | | ä Å æ • Å Å | ä ~ • Å Æ b | ^ Å | Å ç ^ } Å ^ æ @ Å { Å à b & ð Å @ [, } Å | { ç Å | æ Å • È Å ð Ö T È Æ D



WARNING

Ö | Å [ç Å ~ ç æ ä • Å | Å ^ ç } å | Å [, ^ Å Å & Å Å | æ Å Å | } æ & ç æ Å ^ | ç æ Å Å | ä ~ • Å Æ b | ^ Å | Å ç ^ } Å ^ æ @ È Å ç æ æ Å } ç Å | Å [ç] Å ç Å ç [] ^ ä ç ä Å @ Å Å & Å æ Å Å & | ^ | Å [& | ä Å] È Å ð Ö T È Æ D



VY @ Å Û U V Ç È ÿ

U | ^ æ æ } Å Û & ç } Å È Ç

CD9F5HCB

CD9F5HCB

ACK9F H

V@Á@ a|Á^æ^Á@Á) c|Á Á@Áæd |Éæc æ^Á@Ááo^ |á á^É

Ú ||á * Á@Á@ a|Á^æ^Á@Á) æáÁ@Á) |æ |Éæ æ^Á@Ááo^ |á á^É Áæ^Á@Á@) •á } Á@É { É
 G@Á@ a|Á^æ^Á@Á) æáÁ@Á) |æ |Éæ c { æáÁ@Á@) |Á Á@Á) c|Á@ a|Á@Á@) •á } Á@É { Á |Á^Á@ & Á^Á@
]æ^É

Ú • @ * Á@Á@ a|Á^æ^Á@Á) a|Á^æ^Á@Á) |æ |Éæ æ^Á@Ááo^ |á á^É Á@Á) |Á^Á@Á@) •á } Á@É { É

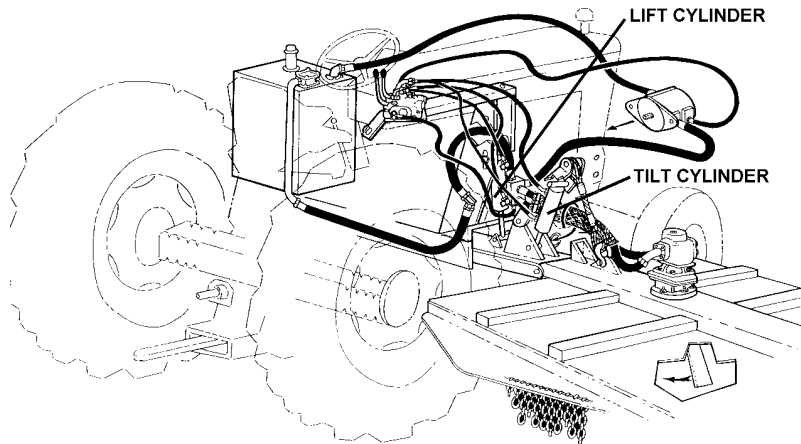
Ú ||á * Á@Á@ a|Á^æ^Á@Á) æáÁ@Á) |æ |Éæ æ^Á@Ááo^ |á á^É Á@Á) |Á^Á@Á@) •á } Á@É { Á |Á^Á@ & Á^Á@
 æáÁ@Á@) |æ |Éæ æ^Á@Ááo^ |á á^É Á@Á) |Á^Á@Á@) •á } Á@É { Á |Á^Á@ & Á^Á@

ACK9F H-Q

V@Á@ a|Á^æ^Á@Á) c|Á Á@Áæd |Éæc æ^Á@Ááo^ |á á^É

Ú ||á * Á@Á@ a|Á^æ^Á@Á) æáÁ@Á) |æ |Éæ æ^Á@Ááo^ |á á^É Áæ^Á@Á@) |Á^Á@Á@) •á } Á@É { É
 G@Á@ a|Á^æ^Á@Á) æáÁ@Á) |æ |Éæ c { æáÁ@Á@) |Á Á@Á) c|Á@ a|Á@Á@) •á } Á@É { Á |Á^Á@ & Á^Á@
]æ^É

Ú • @ * Á@Á@ a|Á^æ^Á@Á) a|Á^æ^Á@Á) |æ |Éæ æ^Á@Ááo^ |á á^É Á@Á) |Á^Á@Á@) •á } Á@É { É



Op-206

<958 D-H7 <

Q& |Á^Á@Á@) æáÁ@Á@) |æ |Éæ æ^Á@Ááo^ |á á^É Á@Á) |Á^Á@Á@) •á } Á@É { É
 P^æÁ@Á@) æáÁ@Á@) |æ |Éæ æ^Á@Ááo^ |á á^É Á@Á) |Á^Á@Á@) •á } Á@É { É
 G@Á@ a|Á^æ^Á@Á) æáÁ@Á) |æ |Éæ c { æáÁ@Á@) |Á Á@Á) c|Á@ a|Á@Á@) •á } Á@É { Á |Á^Á@ & Á^Á@
]æ^É

VY @ ÁÜVVOËÿ U] |æ |Éæ æ^Á@Ááo^ |á á^É Á@Á) |Á^Á@Á@) •á } Á@É { É

CD9F5HCB

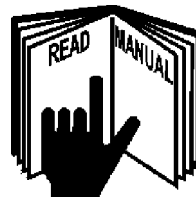
CD9F5HCB

Read the operator's manual before operating the machine. Failure to do so may result in injury or death.

Read the operator's manual before operating the machine. Failure to do so may result in injury or death.

⚠ DANGER

Read the operator's manual before operating the machine. Failure to do so may result in injury or death.

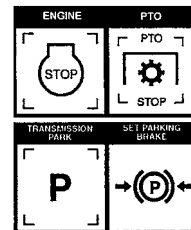


⚠ WARNING

Read the operator's manual before operating the machine. Failure to do so may result in injury or death.

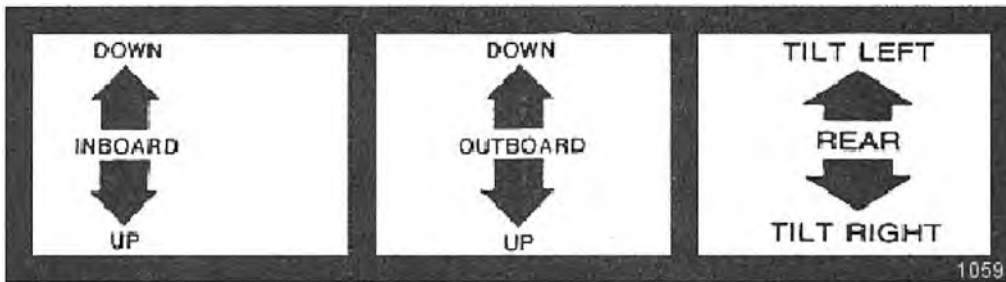
⚠ DANGER

Read the operator's manual before operating the machine. Failure to do so may result in injury or death.



- "7 cblfc" @WUjcb'UbX: i bWjcbg

Read the operator's manual before operating the machine. Failure to do so may result in injury or death.



1059

1059

Read the operator's manual before operating the machine. Failure to do so may result in injury or death.

Read the operator's manual before operating the machine. Failure to do so may result in injury or death.

VY @ÄUVOCÿ

U] !ææ } Ä^&ç } ÄEG

CD9F5HCB

CD9F5HCB

Šas*^Ea^}•^Ei:Á^o^*^caē}Á sÁ^aÁi Á^
 { [, ^aÁ Á [ÁiÁ [i^Á sē••Ái Ás@ç^ÁÁ}āi: {
 &^EÁQÁ~&@Á}áāā}•Eāā^Áo@Á~ cā *Á@a @Ái
 FGiÁiÁ [i^Á}ÁoÁā•oÁ sē•EÁOPS-R-0043



Op - 139

V@}Ái, ^iÁoÁ [, ^iÁi ÁoÁÁ•a^aÁoā @Áā ā
 { [, ÁoÁç^*^caē}Ás^Á& }āÁā ^EÁQÁ [••āi^E
 •^i^&o^Á [, ā *Á sēi^}Áo^Á ÁsÁÁEÁ^i^ÁÁs *i^
 d ÁoÁā•oÁ sē•Ái Á^ā~&^Ád^ā ā *ÁiÁiÁ [i^
 ~}āi: { Á: EÁOPS-R-0044



Op - 146

Ucē Ás^i^Ás āÁ sē&@ÁiÁi^•Ei, Áo} *ā *Áā ā•E
 [[, ^iÁā ^•Eā āÁ c@iÁç^i^@sāÁ ā•cēi^•Ás āÁ [iā
 *i^}āÁ āb&oÁ @iÁ [^Ás^Ái^}Ái sē *EÁM^Ásē^
 d Ás [āÁcā *Áo^ÁÁi { •ÁOPS-R-0028_A



Op - 147

ÖiÁ [oÁ [, ÁiÁiā^ÁoÁÁsēd iÁ d Á sēiāÁo^ÁÁi^} ā *ÁiÁsēÁo^ÁÁ& } d^ Ái^}i^ÁÁs āÁ sēÁi} cā ÁQ c
 • [[•EÖ^i} ā *Á sēiāÁi] sē•Ás āÁÁi sē Ái^}iÁÁÁo@ [, }Ái [{ ÁoÁ [[, ^iÁi Ás^Ás Á-ç^*^caē} Áo^Á ā @
 ā} sēEÁv^ÁÁsē sē^Ásē Á && iÁ @ }Áiāā *Áç^i^ÁQ oÁ sēiāÁiÁs āÁi^Ás^Á} ÁoÁÁsēd iÁs āÁ [, ^iÁi^}iÁ
 ā} sēÁ^•^}cā *Áā Á~}ā { ^}oÁ^•d^ &cā }EÖsēi^ ÁsÁÁÁ^cā *~ ā @iÁ} ÁoÁÁsēd iÁsÁsÁcā ^•Ái Á^cā *~ ā @
 [[••āi^ÁÁ^Á} &~} c^i^āE

VY @ÄÜVOCËÿ

U] ^i^sē}Ái^&cā}ÁEiH

CD9F5 HCB



Положите ноги на платформу, убедитесь, что вы стоите на устойчивой поверхности. Не пользуйтесь лестницей, если она не закреплена должным образом. Не перемещайте машину, пока вы находитесь на ней.



Не используйте машину на скользких или неровных поверхностях. Не используйте машину на склонах. Не используйте машину вблизи зданий или других объектов. Не используйте машину вблизи электрических проводов или других источников энергии. Не используйте машину вблизи движущихся частей машины.

CD9F5 HCB

9F5HCB : 9

При работе с машиной необходимо соблюдать следующие меры безопасности: Не используйте машину на скользких или неровных поверхностях. Не используйте машину на склонах. Не используйте машину вблизи зданий или других объектов. Не используйте машину вблизи электрических проводов или других источников энергии. Не используйте машину вблизи движущихся частей машины.

Убедитесь, что вы стоите на устойчивой поверхности. Не перемещайте машину, пока вы находитесь на ней. Не используйте машину на склонах. Не используйте машину вблизи зданий или других объектов. Не используйте машину вблизи электрических проводов или других источников энергии. Не используйте машину вблизи движущихся частей машины.

- Встаньте на платформу, убедитесь, что вы стоите на устойчивой поверхности.
- Не пользуйтесь лестницей, если она не закреплена должным образом.
- Не перемещайте машину, пока вы находитесь на ней.
- Не используйте машину на скользких или неровных поверхностях.
- Не используйте машину на склонах.
- Не используйте машину вблизи зданий или других объектов.
- Не используйте машину вблизи электрических проводов или других источников энергии.
- Не используйте машину вблизи движущихся частей машины.



OPS-R-214



Не используйте машину на скользких или неровных поверхностях. Не используйте машину на склонах. Не используйте машину вблизи зданий или других объектов. Не используйте машину вблизи электрических проводов или других источников энергии. Не используйте машину вблизи движущихся частей машины.



CD9F5HCB

HF5BGDCFHB; H<9 HF57HCF 5B8 AD@A9BH

Q @!^} Oe adã·Á Á] ^!ææ * Á@Á!ææq |Áæ áÁ]|^ ^} oæ áÁ@Á [··æææ Á -Áæ&æ^} o Áæ^Á [oÁ -oÁ^ @ á
 , @} Á [~ Áæ æ @Á [|!á * Áæ Áæ Áæ^æææ@!^!Á!Á@Á] ^!ææ |Á ~·oÁ {]|| ^Á [[áÁ á^ ^} ^} oæ áÁæ^Á] ^!ææ
]!æææ·Á @} Á!ææ·] |!á * Á@Á!ææq |Áæ áÁ]|^ ^} oÁ^c ^} Á [&ææ } ·ÉÁÓ Á·á * Á [[áÁ á^ ^} ^} oæ á
 -]|| , á * Áæ^Á!ææ·] |!á [&á^!·ÉÁ@Á [··æææ Á -Áæ&æ^} o Á @!Á [çá * Á^c ^} Á [&ææ } ·Áææ Áæ
 ·^·ææææ |Á á á á^áÉÁOPS-U-0017

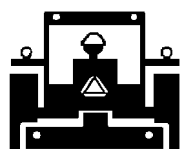
O-!^Á!ææ·] |!á * Á@Á!ææq |Áæ áÁ [, ^!ÉÁ|Á@
 dææq |Á} * á^Áæ áÁ ææÁ |Áæ |Á [, ^!Á [çá * Áæ o
 q |Á { ^Á Áæ { } |^oÁq |ÉÁ] &Áæ |Á [, ^!Áæ o
 æ^Áæ { } |^oÁq |Áq] ^áÉÁæ^Á@Á [, ^!Áq
 dææ·] |!oÁ á @ÉÁOPS-R-0033_A



Op-37



T æ^Á!ææ Á@Á@Á] , Á [çá * Á^c ^} Áæ Áæ·ææ^áÁ
 ·^·æææ æ Áæ Áæ Áæ^Áæ |Áæ ææ^Áæ áÁ * æ^ÉÁ @} Á!ææ·] |!á * Á@
 Ó~ á { ^} oÁ^Á@Á!ææq |Áæ @} * Áæ á * Áæ @ Áæ áÁ]|| , Áæ |Á &
 dææÁæ^ |ææ } ·ÉÁææ



HF5BGDCFHB; B89F H<9 I BHBCK B'DCK 9F

Y @} Á!ææ·] |!á * Á^c ^} Áæ áÁæ·Á |Áæ^c ^} Áæ æá * Áæ·^·ÉÁ@Á]|| , á * Á [&á^!·Á @~ |áÁ^Á]|| , ^áK
 FÈ Ù@ oÁ -Á@Á [, ^!Á Á@Áæ æá * Á@ææq |Áæ áÁ]|| , Áæ |Á [çá * Áæ |Á { ^Á Áæ { } |^oÁq |ÉÁ
 GÈ Ùææ^Á@Á!ææææ Áæ Áæ @·oÁ [·ææ] È
 HÈ Ùææ^Á@Áæ^Á [, ^!Á] çá@Áæ&Áq]·Áæ ææ·oÁ@Á!ææææ È
 I È Ùææ^Á@Áæ^Á [, ^!Á ææ@ÁÉ [á oÁæææ } d |Áç!ÉÁ@Á} ææ Á [, Á [·ææ] Á |Á^Éææ·] |!ææ È

HF5BGDCFHB; B+6M: H698 HF5 @F

T [·oÁææq |Áæ·Á ææÁæ^Á [~} oÁÁ [, ^!Á@ææææ@áÁ áÁÁç!Á^æææ·] |!á * Áæ oÁçÉÁæ^Áæ^Á
 oÁÁææ [] É} ^Á Á@Á]|| , á * Á [&á^!·Á ~·oÁ^Á]|| , ^áK
 FÈ V!ææ·] |!á * Áæ ææ^Á [, ^!Áææ@áÁ^Áæ |Áæ æá * Áæ |Á Áæ] Áæ |Á ææææq |Á} q |Áæ |ÉÁ} oÁ@
 dææq |Áæ ææ [, ^!Áææ@áÁ^c ^} Á@Áæ^Á -Á@Á!ææ |ÉÁ æá^Á^!Á@Á!ææææ Áæ áÁ@ææ^Á]||
 !ææ^áÁæ áÁ^&^áÉÁ , ^!Á@Á!ææ [, ^!Á] q Á@Á!ææ |ÉÁ &^!Á@Á!ææq |Áæ áÁæ^Á [, ^!Á Á@Á!ææ!
 , ææææ·ÉÁææ Á [] ^!Áç!Éæ ææÁ |{ ææ áÁ æ Á@Áç!Áæ^Áæ áÁ [, ^!Áæ Áç!Éæ ææÁæ^Áæ^Áæ
 á^Áæ ÉÁ@&Á@Á!ææq |Á] ^!ææ |q Áæ æá |Áæ ^Áææq |Áæ^á^ ^} oÁ Áæ ææ·] |!oÁ Áææ^Á!ææ È

VY @ÁUVÖÿ

U] ^!ææ } Á^ææ } ÁÉÈ

CD9F5HCB

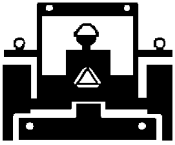
CD9F5HCB

Ukrainian text: %&'HfUbgdcfjhb['cb`Di V`Wf cUXk Ung

Òc d^ { ^ / s e e c a } A @ | a A A ^ . a A A @ | s e a } [| c a * A c A s e d | A e a A] | ^ { ^ } o k } A ~ a | B A [a e , a e • E A V @ A s e d | { ~ . o A A ^ ~ a } | a A A ~ a | A A ^ ~ a a A a e c A s e } a * A a e | ^ . A e & | a a * A A U T X A { a | ^ { A e a A e e @ * A s e } a * | a @ A | A e | o A i q u ^ . A ~ A ~ A c A s e d | q A | ^ . ^ } & E A U ^ { a | A c e A [a e , a e • A e A A | a e a A ^ . a } ^ a A | a e d { [c a A i q u ^ . A e a A [. o A i q u ^ . A e A | A [o A A [| a * A ~ o A | A [~ E c o | ^ f | ^ E A [^ A ~ . o A [| A ~ o A | A c { E O @ & A [~ | A a A q a , A e a | | . A ^ ~ ^ } d A e a A ^ { a | A c e A ~ A ~ A e A } | | e e A ~ A | ^ A e e • A A A c d a e d | q A [| , ^ | A | ^ a E A O A c d ^ | ^ | A e e c a ~ . A s @ | A c A e A A ~ a } ^ } A c e A [~ A e A A , a * A A a i A c e c @ A s e d | A e A A a c o a e a p | A c e } a • A ^ [] a A [~ | A e a A ~ A c A | a e E A O P S - R - 2 1 7



T a e ^ A s i c a A c e a @ A U [| , A [c a * A ^ e A + A U T X A a } A e A • e a i a A • & e e a e A e A | A ^ A e a | A e a e | A e a A ^ a A * a i E A V @ } A e a } [| c a * A c O ~ a { ^ } o k • A c A / a e d | A e e e } a * A a @ A e A e A [| | , A e A | e e d a e A A ^ ~ | a e } • E A o e a



V @ A U T X A U [| , E T [c a * A ^ e A + A D ^ { a | ^ { A e ~ } a u ^ . a e A ~ { a | A ^ . a A A | A e a | o A i q u ^ . A ~ A c [] ^ . ^ } & A A ~ a } { ^ } o k e a | a * A } A [a e , a e • A e e e • [| , A | ^ a E A U T X A a } • A e ^ A e e e a e * | a e A i a @ [| a e * A A a c A ^ + A e a A a A i a A | A e | o A e ~ A e e e a A a @ A e a a e e E A a e A A ~ | A c A U T X A a } A e & ^ e a e a a A e a | A e [{ A c A a e A A c A } a e A f | ^ d a e } [| c a * A c A s e d | A e a A] | ^ { ^ } o k } A e a ~ a | a e [| a e , a e E A U ^ | a e A c A U T X A { a | ^ { A e a a a E a e a e a e i A [A] * ^ i A ^ + & e A E O P S - U - 0 0 2 0



Op-43

T a e A ~ | A c e A e A | A s e d | A e e e } a * A a @ E @ a i a @ E e a a A | a e E e a A a @ A e A A ~ } & e a } a * [| | ^ | A e a f | A e | | & ^ a a * A } d A ~ a | B A [a e • E A V @ } ^ , ^ i A [a | A c A s e d | . A c e A A | ^ } c A A e e @ a * A [| | c a A A s e } a * A a } a e A e a A | A e e a * A a e a E A [. c [| a i A [a | . A e A A] ^ A ~ a } | a A A ~ o A | A e e a * A a @ E O [] • ~ | o e a e c | a ^ a A s e d | A e a e | A e | A e e a * A a e e a A [a a e e e } • A e e e a | A e A } * | a e A c A e a * A } [| a i A s e d | A e [a | . E O P S - U - 0 0 2 1



Op-595

VY @ A U V O E Y

U | A e a } A ^ & e a } A e U

CD9F5HCB

CD9F5HCB

CD9F5HCB

Y @ } A] ^ | a a c j * A } A } ^ a | a & A | a a • E A @ a c ^
 & } • a a ^ | a a c j } A f | A c | A | a a A • ^ | • E U ~ | | A f A c | A a a ^
 [- A c | A | a a A & a a a } a f ^ A f A a | | , A a | A f | | | , a * A i a e - a
 d A a e • E O [A | o ^ c & ^ a a c | A * a f A] ^ a a A a a ^ a a
 ^ [^ | A a | ^ } d ^ A f | A e | a e | c | a f A i a a d | • E O f , a e • A a e
 a f | o j @ } A i a e •] [| c j * A c | A i a a d | A a a a |] | ^ { ^ } c
 [] A ^ a | a & A | a a • E A ^ a a e e c j } A a a A a ^ & A] ^ a a a
 [c | A ^ c | A ^ a • A | A | A a ^ d a a • A a a A a c | A a a e E O P S -
 U - 0022



⚠ DANGER

U a ^ & A | a a | , A c | a i ^ } A | A c | A ^ | • [] • A f A a a ^ A } A c | A i a a d | A | A Q] | ^ { ^ } E
 O a | a * A - A a a A ^ ~ | o a A i a a ~ • A b i ^ A | A a a c | A a a a a a



⚠ WARNING

T a a ^ & A | a a | A c | a a c | A a | | , A | [c a * A ^ c | A ^ a c | T X D a a } A a a • a a | a a
 • & c | a a a e a e A f A a ^ A | a a | ^ a a a | A a a A ^ a | ^ E A Y @ } A i a e •] [| c j * A c |
 O ~ a { ^ } o ^ a ^ c | A i a a d | A i a e c j * A a e } a * A a c | A a a A f | | | , A a | A | a e
 d a e - a A ^ ~ | a a } • E a a a a



U a a ^ & A | a a a a ^ | | ^ a | } a * A | A a |] | a * A c | A i a e a ^ E
 O } • ^ | A c | a a | c | a i a a ^ A a a d • A a ^ A | & a a A f * ^ c |
 , @ } A | A i a a c j * A } A ^ a | a & A | a a • E O P S - U - 0023



VY O A U V O E Y

U] ^ | a a c j } A ^ & c j } A E E

MAINTENANCE SECTION

Maintenance Section 4-1

MAINTENANCE

GENERAL INSTRUCTIONS

Tiger Mowers are designed for high performance and rugged durability, yet with simplified maintenance. The purpose of this section of the manual is to help the operator in the regular servicing of the mower. Regular maintenance at the intervals mentioned will result in the maximum efficiency and long life of the Tiger Mower.

When you purchase a Tiger Mower you also acquire another valuable asset, Tiger's parts organization. Our rapid and efficient service has guaranteed the customer satisfaction for many years. Tiger parts keep up with the demands for efficiency, safety and endurance expected of the Tiger Mower.

MAINTENANCE PRECAUTIONS

- Be sure end of grease gun and zerks are clean before using. Debris injected into bearings, etc. with grease will cause immediate damage.
- DO NOT use a power grease gun to lubricate bearings. These require very small and exact amounts of lubrication. Refer to the detailed maintenance section for specific lubrication instructions. DO NOT over-grease bearings.
- Lexan windows should be washed with mild soap or detergent and lukewarm water, using a soft clean sponge or soft cloth. DO NOT use abrasive or alkaline cleaners or metal scrapers on lexan windows!
- Be alert to maintenance indicators such as the in-tank filter pressure gauge, hydraulic reservoir sight gauge, etc. Take the required action to correct any problems immediately.
- Release of energy from pressurized systems may cause inadvertent actuation of cylinders, or sudden release of compressed springs. Before disconnecting any hoses relieve pressure by shutting tractor off, setting cutter on ground and actuating lift valve handles.

WARNING

DO NOT use hands to check for suspected leaks in hydraulic hoses! Hydraulic fluid escaping under pressure can have sufficient force to penetrate skin and cause serious injury. If fluid is injected into skin, it must be surgically removed within a few hours or gangrene may result. Use a small piece of wood or cardboard, not hands, to search for pin hose leaks. Be sure all connections are tight and hoses and lines are not damaged before applying pressure.

BREAK IN PERIOD

In addition to following the break-in instructions for your particular tractor, the in-tank hydraulic fluid filter should be replaced after the first 50 hours of service. Thereafter the filter should be replaced every 500 hours, or yearly, whichever comes first.

Re-torque wheel lugs after first five hours of operation and periodically thereafter. See torque specifications listed in the tractor's service manual for your particular model. **Wheel lugs must always be re-torqued whenever a wheel is removed and reinstalled.**

DANGER

Never work under the Implement, the framework, or any lifted component unless the Implement is securely supported or blocked up to prevent sudden or inadvertent falling which could cause serious injury or even death. (SG-14)



MAINTENANCE



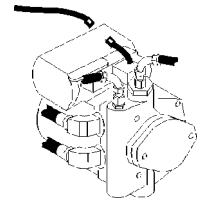
Do not modify or alter this Implement. Do not permit anyone to modify or alter this Implement, any of its components or any Implement function. (SG-8)



Relieve hydraulic pressure prior to doing any maintenance or repair work on the Implement. Place the Mower Head on the ground or securely supported on blocks or stands, disengage the PTO, and turn off the engine. Push and pull the control Levers or Joystick several times to relieve pressure prior to starting any maintenance or repair work. (SBM-6)



Always disconnect the wire leads from the mower pump solenoid before performing service on the Tractor or Mower. Use caution when working on the Tractor or Mower. Tractor engine must be stopped before working on Mower or Tractor. The Mower Blades could inadvertently be turned on without warning and cause immediate dismemberment, injury or death. (SBM-12a)



MAINTENANCE

REGULAR MAINTENANCE

The intervals at which regular servicing should be done are based on hours of operation. Use the tractors hour meter to determine when regular servicing is required.

Daily or Every 8 Hours

ITEM	SERVICE	COMMENTS
Drive Shaft Yoke, U-Joint & Stub Shaft	Grease	Grease as instructed in detailed Maintenance Section
Pump Drive Shaft	Check and Lube	Insure drive shaft end play
Crankshaft Adapter	Check rubber grommets	Replace grommets if damaged or missing
Pivot Points	Lubricate	Inject grease until it appears at end
Hydraulic Fittings	Check for leaks	Tighten when needed. Do Not use hands to che ck for leaks. See Maintenance Precautions
Spindle mounting bolts (spindle to deck)	Check	3/4" x 2" torque to 331ft. lbs.

TWIN ROTARY

Maintenance Section 4-3

MAINTENANCE

MAINTENANCE

ITEM	SERVICE	COMMENTS
Disk mounting bolts (disk to spindle)	Check	5/8" X 1-3/4" bolt torque to 204 dry or 184 oiled ft. lbs.
Main Frame and Deck	Check	Retorque bolts to torque specifications in this section
Hydraulic Fluid Level	Check	Add if required per fluid recommendations

WEEKLY OR EVERY 40 HOURS

ITEM	SERVICE	COMMENTS
Rotary Spindle	Lubricate	Grease as instructed in detailed Maintenance Section

WEEKLY OR EVERY 50 HOURS

ITEM	SERVICE	COMMENTS
In Tank Hydraulic Fluid Filter (10 micron filter)	Change	Change after first 50 hours only then every 500 hours or yearly
In-Line High Pressure Filter (10 micron filter)	Change	Change after first 50 hours only then every 500 hours or yearly

MAINTENANCE

MONTHLY OR EVERY 150 HOURS

ITEM	SERVICE	COMMENTS
Hydraulic Fluid Level	Check	Add as needed
Hydraulic Tank Breather	Clean/Check/Replace	Clean or replace Element as required
Rear Tire Type	Max P.S.I.	
480/80R38	29	
18.4-34	26	
18.4-38	26	

YEARLY OR EVERY 500 HOURS

ITEM	SERVICE	COMMENTS
Spindle Grease	Change	
Motor to Spindle Spline Grease	Change	
Hydraulic Tank Fluid	Change	
In Tank Hydraulic Fluid Filter (10 micron filter)	Change	
In-Line HP Filter (10 micron filter)	Change	or Change when indicated by restriction indicator.
Hydraulic Tank Breather	Change	

MAINTENANCE

MAINTENANCE

TROUBLESHOOTING

SYMPTOMS	CAUSE	REMEDY
Vibration	Loose Bolts	Check all bolts and tighten to recommended torque specifications in this section
	Cutter assembly	<p>a. Check for damaged blades, disc, unbalanced or cutter shaft.</p> <p>b. Replace if needed.</p> <p>c. Check for wire, rope, etc. entangled in the cutter assembly</p>
Mower will not lift	Hydraulic Fluid Low Leaks in line Faulty relief valve	<p>Check and refill Hyd Fluid</p> <p>Tighten or replace fittings and hoses</p> <p>Check pressure in line. Line pressure in Control Valve should be at least 2500 P.S.I.</p>
	Kinked or blocked	Clean or replace lines
	Faulty cylinder	Inspect, repair or replace cylinder
Oil Temperature rises	Low oil level above 200°F Kinked/blocked hoses Worn pump/motor	<p>Bring oil to proper level.</p> <p>Inspect / Repair / Replace</p> <p>Disable and Repair</p>
Mower will not start or run	Blown fuse	Check fuse between mower switch and ignition / replace
	Ball valves closed Low oil level Line leak	<p>Make sure valves are open</p> <p>Check Hyd. tank and fill</p> <p>Check all fittings and lines, re-tighten or replace</p>
	Electronic solenoid faulty	<p>a. Without the tractor running, turn the mower switch to on. A low audible click is not heard if the solenoid is engaging the solenoid spool. If click is not heard, leave switch in on position and with a screwdriver or other steel object, touch the small nut on the end of the solenoid. If the metallic object is not attracted to the nut, check the fuse and wiring for an open circuit. If the object is attracted but no "click" is heard, replace the solenoid.</p>

MAINTENANCE

- b. Remove the four bolts holding the small block to the main block. Lift and remove small block being careful not to damage O-rings/filter.
- c. Clean filter and re-install.
- d. Remove large nut on side of large valve block. Remove spring, and use needle nose vise grip to pull spool from block. Check block and spool for contaminants and scratches. Clean parts or replace if scratched.

Mower turns slowly or not at all

Contaminants restricting spool movement in valve body

Remove large nut on side of large valve block. Remove spring, and use needle nose vise grip to pull spool from block. Check block and spool for contaminants and scratches.

Clean parts or replace if scratched.

Suction lines obstructed

Check for kinks or obstruction in suction hose.

Low oil level

Check Hyd. tank level and fill.

Pump will not work

Excessive wear on internal parts

Disassemble and repair.

Motor will not work

Excessive wear on internal parts

Disassemble and repair

NOTE: *If flow meter is available, check pressure and flow volume for all suspected hydraulic problems.*

If the solution to your problem cannot be found in this section, call the Technical Service representative at the number shown on the front cover of this manual.

MAINTENANCE

MAINTENANCE

TORQUE SPECIFICATIONS

Torque for Standard Fasteners													
Nominal Dia. (in.)	threads per inch	Grade 2			Grade 5			Grade 8			Grade 9		
		Tightening Torque			Tightening Torque			Tightening Torque			Tightening Torque		
		Lubed K = 0.15	Dry Plated K = 0.17	Dry plain K = 0.20	Lubed K = 0.15	Dry Plated K = 0.17	Dry plain K = 0.20	Lubed K = 0.15	Dry Plated K = 0.17	Dry plain K = 0.20	Lubed K = 0.15	Dry Plated K = 0.17	Dry plain K = 0.20
Unified Coarse Thread Series													
1/4	20	49 in-lbs	59 in-lbs	66 in-lbs	76 in-lbs	86 in-lbs	101 in-lbs	107 in-lbs	122 in-lbs	143 in-lbs	126 in-lbs	143 in-lbs	168 in-lbs
5/16	18	101	122	135	157	178	209	221	251	295	259	294	346
3/8	16	15 ft-lbs	18 ft-lbs	20 ft-lbs	23 ft-lbs	26 ft-lbs	31 ft-lbs	33 ft-lbs	37 ft-lbs	44 ft-lbs	38 ft-lbs	43 ft-lbs	51 ft-lbs
7/16	14	24	29	32	37	42	49	52	59	70	61	70	82
1/2	13	37	44	49	57	64	75	80	90	106	94	106	125
9/16	12	53	63	70	82	92	109	115	130	154	135	153	180
5/8	11	73	87	97	113	128	150	159	180	212	186	211	248
3/4	10	129	155	172	200	227	267	282	320	376	331	375	441
7/8	9	125	150	167	322	365	429	455	515	606	533	604	710
1	8	187	225	250	483	547	644	681	772	909	799	905	1065
1 1/8	7	266	319	354	596	675	794	836	966	1132	988	1132	1341
1 1/4	7	375	450	500	840	952	1121	1163	1333	1545	1341	1537	1810
1 1/2	6	652	783	869	1462	1657	1950	2011	2311	2688	2311	2688	3170
Fine Thread Series													
1/4	28	56 in-lbs	68 in-lbs	75 in-lbs	87 in-lbs	99 in-lbs	116 in-lbs	123 in-lbs	139 in-lbs	164 in-lbs	144 in-lbs	163 in-lbs	192 in-lbs
5/16	24	112	135	150	174	197	231	245	278	327	287	325	383
3/8	24	17 ft-lbs	20 ft-lbs	23 ft-lbs	26 ft-lbs	30 ft-lbs	35 ft-lbs	37 ft-lbs	42 ft-lbs	49 ft-lbs	43 ft-lbs	49 ft-lbs	58 ft-lbs
7/16	20	27	32	36	41	47	55	58	66	78	68	78	91
1/2	20	41	49	55	64	72	85	90	102	120	105	120	141
9/16	18	59	71	78	91	103	121	128	146	171	151	171	201
5/8	18	82	99	110	127	144	170	180	204	240	211	239	281
3/4	16	144	173	192	223	253	297	315	357	420	369	418	492
7/8	14	138	165	184	365	403	474	502	568	669	588	666	784
1	14	210	252	280	542	614	722	765	867	1020	896	1016	1195
1 1/8	12	298	357	397	668	757	890	1083	1227	1444	1269	1439	1693
1 1/4	12	415	498	553	930	1055	1241	1509	1710	2012	1768	2004	2358
1 1/2	12	734	880	978	1645	1865	2194	2668	3024	3557	3127	3544	4169

Torque values for 1/4 and 5/16-in series are in inch-pounds. All other torque values are in foot-pounds. K = 0.15 for "lubricated" conditions; D = Nominal Diameter
 Torque values calculated from formula T=KDF, where K = 0.17 for zinc plated and dry conditions; F = Clamp Load
 K = 0.20 for plain and dry conditions

Torque-Tension Relationship for Metric Fasteners													
Nominal Dia. (mm)	Pitch	Class 4.6			Class 8.8			Class 10.9			Class 12.9		
		Tightening Torque			Tightening Torque			Tightening Torque			Tightening Torque		
		Lubed K = 0.15	Dry Plated K = 0.17	Dry plain K = 0.20	Lubed K = 0.15	Dry Plated K = 0.17	Dry plain K = 0.20	Lubed K = 0.15	Dry Plated K = 0.17	Dry plain K = 0.20	Lubed K = 0.15	Dry Plated K = 0.17	Dry plain K = 0.20
3	0.5	0.28	0.32	0.38	0.73	0.82	0.97	1.0	1.2	1.4	1.2	1.8	
3.5	0.6	0.44	0.50	0.59	1.1	1.3	1.5	1.6	1.9	2.2	1.9	2.5	
4	0.7	0.66	0.74	0.87	1.7	1.9	2.3	2.4	2.7	3.2	2.8	3.8	
5	0.8	1.3	1.5	1.8	3.4	3.9	4.5	4.8	5.5	6.5	5.7	7.6	
6	1	2.3	2.6	3.0	5.8	6.6	7.7	8.3	9.4	11	9.7	13	
6	1.25	2.1	2.3	2.7	5.3	6.0	7.0	7.6	8.6	10	8.6	12	
7	1	3.8	4.3	5.0	9.7	11	13	14	16	19	16	22	
8	1	5.8	6.6	7.8	15	17	20	22	24	29	25	34	
8	1.25	5.5	6.2	7.3	14	16	19	20	23	27	24	31	
10	1.25	11	13	15	29	33	39	42	48	56	49	66	
10	1.5	11	12	14	28	32	37	40	45	53	47	62	
12	1.25	21	23	28	53	60	71	76	86	101	89	119	
12	1.5	20	22	26	51	58	68	73	82	97	85	113	
12	1.75	19	21	25	49	55	65	70	79	93	81	108	
14	1.25	26	29	34	66	75	89	95	108	127	111	148	
14	1.5	28	32	37	72	82	96	103	117	138	121	161	
14	2	30	34	40	78	88	104	111	126	148	130	173	
16	1.5	50	57	67	129	146	171	184	208	245	215	287	
16	2	47	53	62	121	137	161	173	196	230	202	269	
18	1.5	73	82	97	187	212	249	268	303	357	313	417	
18	2.5	65	73	86	167	189	222	239	270	318	279	372	
20	1.5	101	115	135	270	306	360	374	424	498	437	583	
20	2.5	91	104	122	238	267	314	337	382	449	394	525	

Clamp load calculated as 75% of the proof load for specified bolts. K = 0.15 for "lubricated" conditions; D = Nominal Diameter
 All torque values are listed in foot-pounds; K = 0.17 for zinc plated, dry conditions; F = Clamp Load
 Torque values calculated from formula T=KDF, where K = 0.20 for plain and dry conditions

MAINTENANCE

MAINTENANCE

LUBRICATION RECOMMENDATIONS

DESCRIPTION	APPLICATION	GENERAL SPECIFICATION	RECOMMENDED MOBIL LUBRICANT
Tractor Hydraulics	Reservoir	JD-20C MF M1135, M1141 FNHM2C134D (FNH201)	Mobilfluid® 424
Mower Hydraulics	Reservoir		
	Cold Temperatures 0°F Start-Up	ISO 46 Anti-Wear-Low Temp	Mobil DTE 15M
	Normal Temperatures 10°F Start-Up	JD-20C MF M1135, M1141 FNH M2C134D (FNH201)	Mobilfluid 424
	Normal Temperatures 15°F Start-Up	ISO 46 Anti-Wear	Mobil DTE 25
	High Operating Temp. Above 90°F	ISO 100 Anti-Wear	Mobil DTE 18M
Drive Shaft Coupler	Grease Gun	Lithium-Complex Extreme Pressure NLGI 2 - ISO 320	Mobilgrease CM-S
Drive Shaft Yoke, U-joint & Stub Shaft	Grease Gun	Lithium-Complex Extreme Pressure NLGI 2 - ISO 320	Mobilgrease CM-S
Deck Spindle (Rotary)	Grease Gun	Tiger Part Spindle Lubricant Part Number 06540000	Mobilith SHC 220
Motor Spline			Moly 52

MAINTENANCE

POLYCARBONATE CARE & MAINTENANCE

The proprietary UV and Abrasion Resistant surface coating on SHIELDS SUPERCOATED polycarbonate significantly improves performance. Periodic cleaning using proper procedures and compatible cleaners are recommended to prolong service life. Tiger Corp. polycarbonate is SUPERCOATED on both sides.

CLEANING THE SUPERCOAT HARD-COAT

1. Wash with a mild solution of soap or detergent and lukewarm water.
2. Using a soft cloth or sponge, gently wash the sheet to loosen dirt and grime and rinse well with clean water.
3. To prevent water spotting, thoroughly dry with chamois or cellulose sponge.
4. Avoid the use of abrasive cleaners, squeegees and/or other cleaning implements that may mar or gouge the coating.

CLEANING AGENTS WHICH HAVE BEEN FOUND TO BE COMPATIBLE UNDER LABORATORY CONDITIONS:

- Aqueous Solutions of Soaps and Detergents

Windex	Top Job	Joy	Mr. Clean
Fantastik	Formula 409	Sumalight D12	Brucodecid

- Organic Solvents

Butyl Cellosolve	Kerosene	Hexel, F.O. 554	Naphtha (VM&P Grade)
Neleco-Placer	Turco 5042		

- Alcohols

Methanol	Isopropyl
----------	-----------

All residual organic solvents should be removed with a secondary rinse.

GRAFFITI REMOVAL

Butyl cellosolve (for removal of paints, marking pen inks, lipstick, etc.) The use of masking tape, adhesive tape or link removal tools work well for lifting off old weathered paints.

To remove labels, stickers, etc., the use of kerosene or VM&P naphtha are generally effective. When the solvent will not penetrate sticker material, apply heat (hair dryer) to soften the adhesive and promote removal.

If a material is found to be incompatible in a short-term test, it will usually be found to be incompatible in the field. The converse, however, is not always true. Favorable performance is no guarantee that actual end-use conditions have been duplicated. Therefore, these results should be used as a guide only and it is recommended that the user test the products under actual end-use conditions.

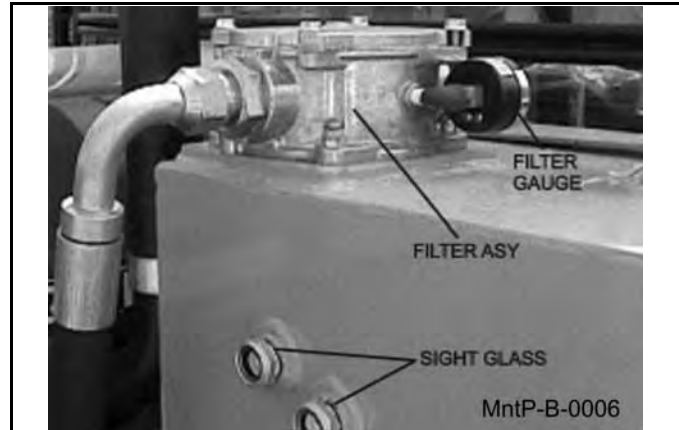
MAINTENANCE

MAINTENANCE

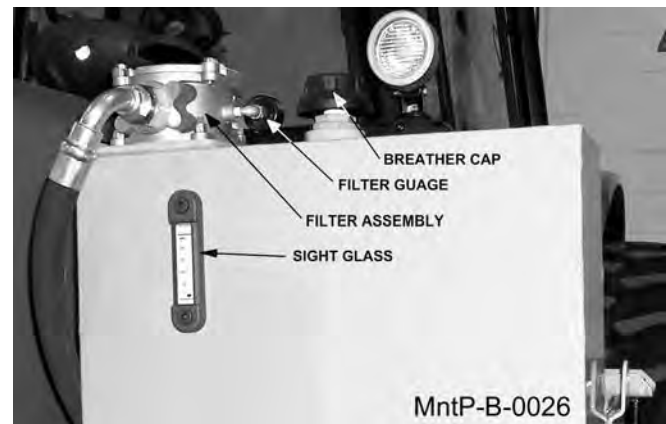
RECOMMENDED FILLING INSTRUCTIONS FOR HYDRAULIC RESERVOIRS

When filling or checking the oil level, the unit should be parked on a level surface., shut **OFF**, and allow sufficient time to cool to ambient temperature. Use caution when removing the pressurized breather. Do not place face over opening when removing breather.

If your reservoir has two sight glasses: The reservoir should be filled to the top of the lower sight glass on the side of the tank. Do not over-fill. The reservoir has been over-filled when oil is visible in the upper sight glass. If tank has too much oil, the excess may be expelled through the pressurized breather.



If your reservoir has one sight glass/temperature gage: The reservoir should be filled to the center of the sight glass on the side of the tank. Do not over-fill. If the tank has too much oil, the excess may be expelled through the pressurized breather.



REPLACING IN-TANK HYDRAULIC FILTER

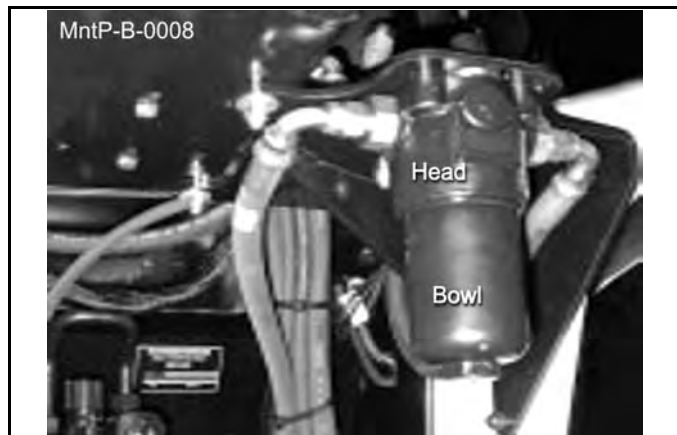
Loosen the four bolts on the top cover of the filter housing. Turn cover counter-clockwise until cover is free. Remove and replace filter. Replace top cover and cover bolts in opposite order as removed.



MAINTENANCE

REPLACING HIGH PRESSURE HYDRAULIC FILTER ELEMENT

Ensure system has been shut down and depressurized. Locate High Pressure Filter housing. Confirm that the new element matches the element p/n on the filter model tag. *Example: V3.0510-06 (world line 100, HD049 model).* Locate the bottom of the High Pressure Bowl, and using the appropriate spanner wrench or ratchet, turn in a counterclockwise rotation, (looking at the bottom of the bowl) to remove the bowl from the head. The first couple rotations will seem tight as the o-ring passes the sealing flats. Once the o-ring has cleared the sealing flats the bowl should spin freely. Taking care not to drop the bowl, finish removing the bowl from the head.



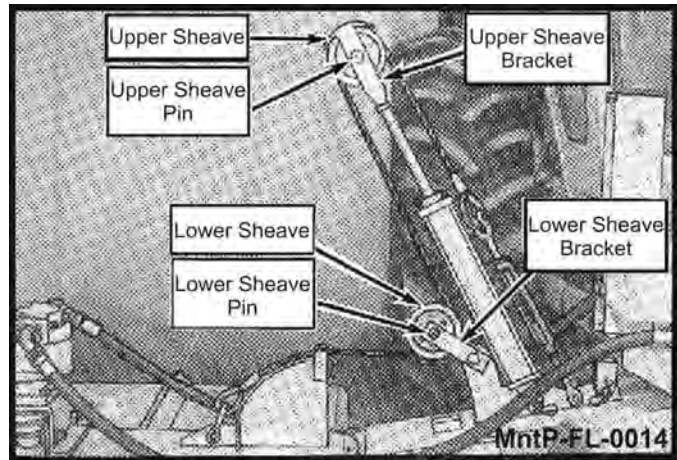
WARNING: Bowl will be full of oil! Pour the oil from the bowl into a container. This oil should be considered contaminated due to the outside-in flow direction through the element. Clean the inside of the bowl if “dirt” is present. Remove the old element from the filter head by pulling with a rotation motion. Dispose of the used element properly. Remove the new element from the packaging. Using your finger, dab and lubricate the o-ring in the top of the new element with oil. Install the new element into and on the mounting boss within the head. Ensure that the element is fully seated on the boss. Clean and inspect the o-ring that is affixed in the bowl and lubricate with oil. Using a clockwise rotation, screw the bowl back into the head, ensuring that the bowl has not been cross-threaded into the head. Continue to tighten the bowl into the head, using the spanner wrench or ratchet. The rotation of the bowl will become tighter once the o-ring engages the sealing flats. Once the bowl has bottomed out, back-off the bowl by 1/6 turn. This ensures that the o-ring is seated properly within the sealing flats. Element change out and re-assembly is now complete. Start the machine and inspect the filter area checking that there is no oil leaking from the filter assembly. The element should first be replaced at 50 hours of operation, then yearly (500 hours) or when indicated by restriction indicator.

MAINTENANCE

MAINTENANCE

GREASING THE UPPER AND LOWER SHEAVES

Locate the grease zerks on the ends of the upper and lower sheave pins as shown below. Inject Lithium-Complex Extreme Pressure grease conforming to NLGI2-ISO 320 specifications into each pin until it protrudes from the ends. These should also be greased daily or for every 8 hours of service.

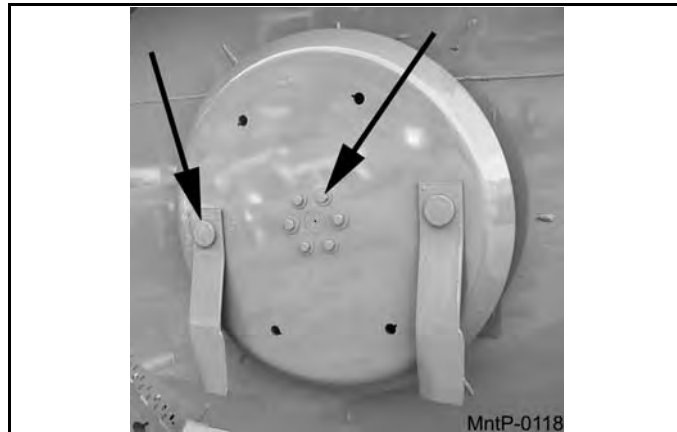


TIGHTENING BLADE BOLTS AND DISK BOLTS

After every 8 hours of operation or daily, the knife bolts and disk bolts should be tightened as follows:

Knife Mounting Bolts (3 ea.) torque to 800 oiled ft. lbs.

Disk Mounting Bolts (6 ea.) torque to 204 dry or 184 oiled ft./lbs.



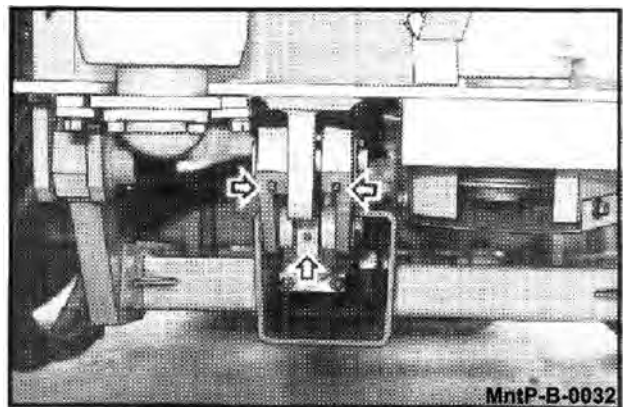
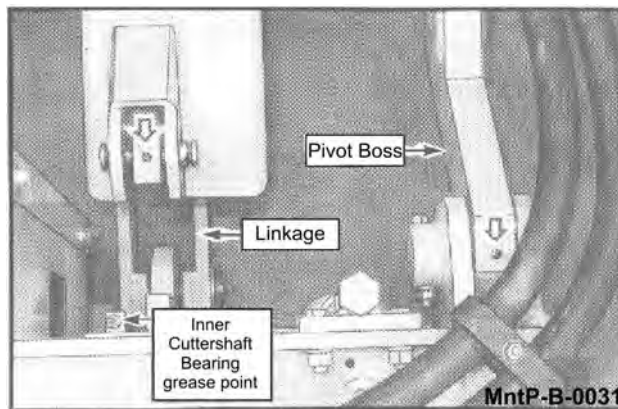
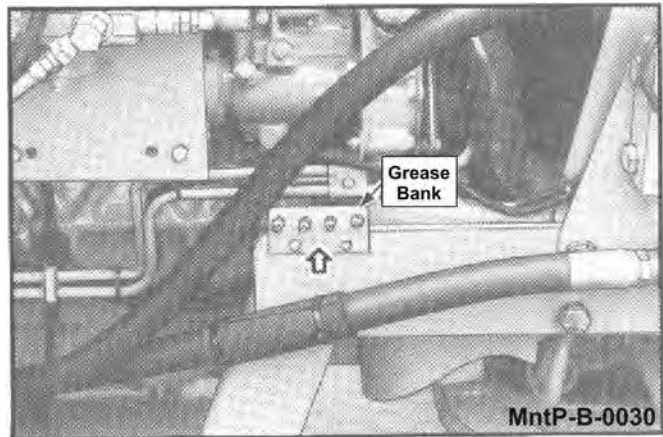
MAINTENANCE

MAINTENANCE

GREASING INNER AND OUTER DRAFT BEAM PIVOT POINTS

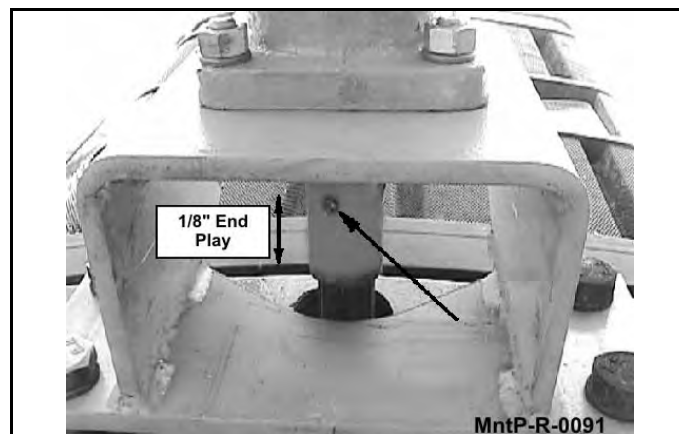
Locate the grease zerks on the inner and outer draft beam pivot bosses. Inject Lithium-Complex Extreme Pressure grease conforming to NLGI2-ISO 320 specifications into each zerk until grease protrudes from joints. Grease all pivots daily or every 8 hours of service.

With the cutter head lowered, locate the grease zerks on the linkage and pivot bosses. Inject Lithium-Complex Extreme Pressure grease conforming to NLGI2-ISO 320 specifications until it protrudes from the ends. With the cutter head in this position it is also possible to grease the draft beam cylinder anchors and pins. Now raise the cutter head expose the remaining zerks on the deck tilt linkages and on the other end of the cylinder.



GREASING PUMP DRIVE SHAFT COUPLER

With engine stopped, ensure drive shaft alignment by grasping coupler and sliding back and forth. Coupler should slide freely with approximately 1/8" of end play. If coupler does not slide freely, inspect for loose pump mount bolts, or damaged or loose crank shaft adapter. Inject-Lithium Complex Extreme Pressure grease conforming to NLGI2-ISO 320 specifications into coupler until grease begins to protrude from ends. Grease daily or every 8 hours. Do not over grease.

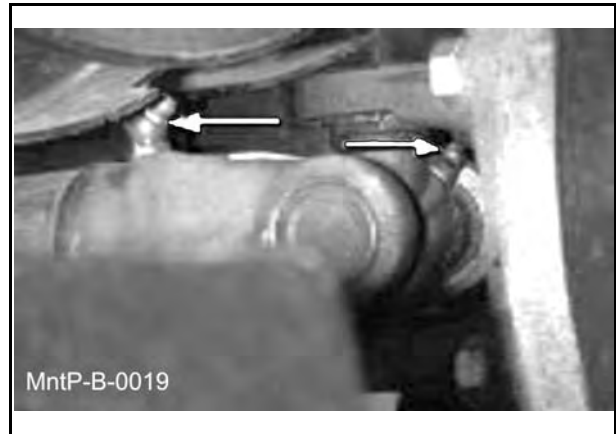


MAINTENANCE

MAINTENANCE

DRIVE SHAFT YOKE, U-JOINT & STUB SHAFT

With engine stopped, inject Lithium-Complex extreme pressure grease conforming to NLGI2-ISO 320 specifications into universal joints and slip yoke until grease appears at the seal. Grease them daily or every 8 hours.

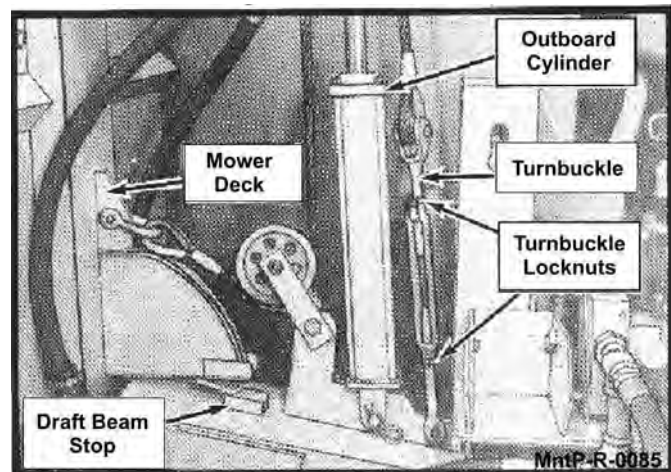


ADJUSTING THE CABLE LIFT

Extend the outboard cylinder until the mower deck touches its stop on the draft beam as shown.

NOTE: Make sure the cable turnbuckle is loose enough to allow the cylinder to reach full extension before the head reaches the stop.

Now hold the head against the stop and tighten the turnbuckle until the cable is tight. Lower and raise the head to check the adjustment. The head should touch its stop at the same time the cylinder reaches full extension. Tighten turnbuckle lock nuts securely after adjustment is complete.

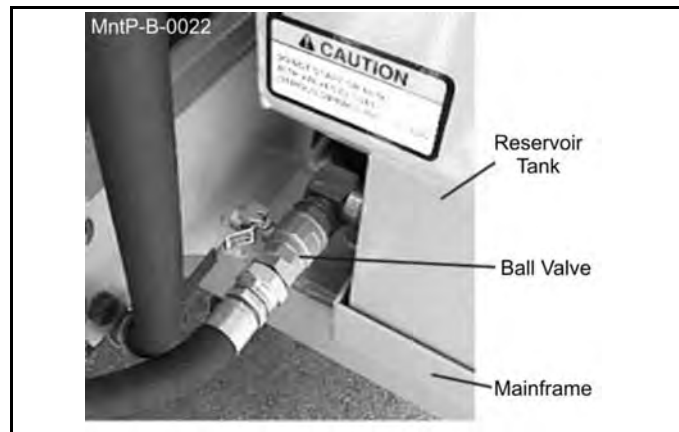


MAINTENANCE

MAINTENANCE

BALL VALVES

The ball valves at the hydraulic reservoir may need to be closed during certain maintenance or repair procedures. **THE BALL VALVES MUST BE OPEN (handle parallel with valve) WHEN TRACTOR IS RE-STARTED OR PUMP IS COUPLED TO MOTOR OR PTO!** Failure to do so will result in component failure!



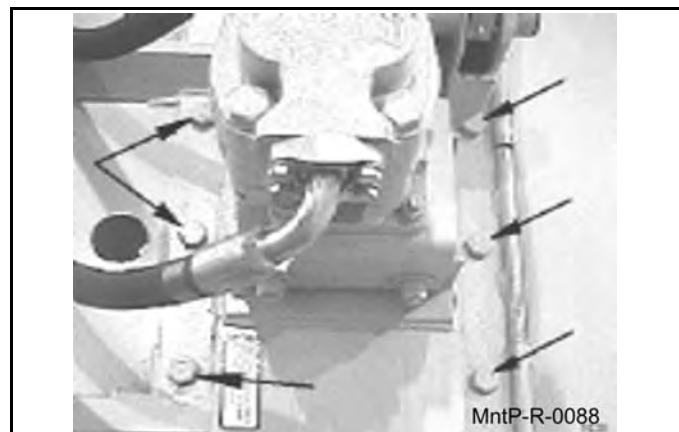
GREASING SPINDLE

Locate grease fitting on inside of deck housing. Inject Tiger Spindle Lubricant, part number 06540000 into spindle housing. Fill with lubricant until lubricant weeps out of top spindle seal. Lubricate spindle weekly or every 40 hours of use.



TIGHTENING SPINDLE BOLTS

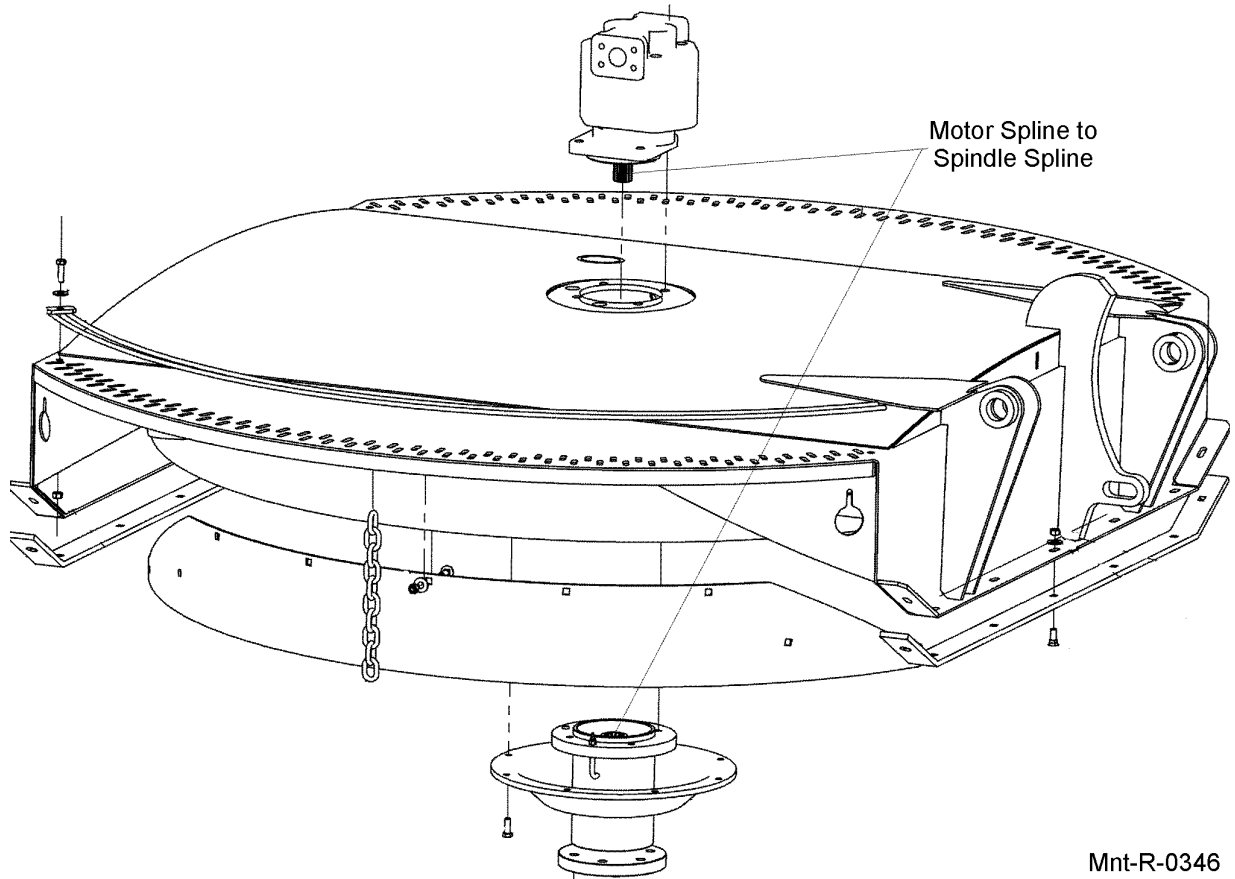
The spindle mounting bolts should be checked and retorqued daily or every 10 hours of service. Torque the (6) bolts shown below to 331 ft. lbs.



MAINTENANCE

GREASING MOTOR SPLINE TO SPINDLE SPLINE

Locate motor spline and spindle spline on the mower deck. Grease splines with Mobil moly 52. Use about 4 ounces of grease. Change grease yearly or every 500 hours.



Mnt-R-0346

MAINTENANCE

MAINTENANCE

MAINTENANCE

Blades

Check the Blades for cracks and wear and Blade Bolts for tightness, daily. Blades should be replaced when they are worn excessively, bent, deformed, or out of balance.

CAUTION

Blades should always be replaced in pairs. Blades of different weights can cause serious imbalance and damage to the machine and personnel. When replacing blades, take care to replace the blade bolts, nuts, and washers.


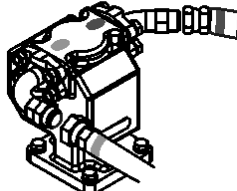
Important

Make sure the mower blades are turning clockwise when looking down from the top of the mower. Follow the color coding on the hydraulic hoses and fittings to make sure the motor and hydraulics hoses are assembled properly. Connect the red hose connection only to red fitting. Connect the blue hose connection only to the blue fitting. The blade rotation on the leading edge of the mower should discharge the cut material away from the tractor and operator.

WARNING

If the leading edge of the mower blades are rotating backwards they can discharge material toward the operator. If this occurs discontinue mowing immediately and reverse the direction of the motor rotation by correctly installing the motor pressure and return hoses. Contact your dealer or Alamo Industrial for specific information on the hose routing.



WARNING	ADVERTENCIA
TO AVOID SERIOUS INJURY AND DEATH FROM THROWN OBJECTS: <ul style="list-style-type: none">● MAKE CERTAIN blades rotate the correct direction.	PARA EVITAR LESION SERIA O MUERTE POR OBJETOS LANZADOS: <ul style="list-style-type: none">● ASEGURE que las cuchillas giran en la dirección correcta.
BLADE ROTATION  ROTACIÓN DE CUCHILLAS	
Return Retorno BLUE	 Pressure Presión RED

D619

MAINTENANCE

ROTARY KNIFE REPLACEMENT

1. Be sure you have a complete matching set of new knives for replacement.
2. Remove knives and inspect holes for damage. Also watch for cracks in the disk around the holes.
3. Lube threads with anti-seize, motor oil or grease. Install bolts through knife and disk from bottom side of disk. Install new self-locking nuts and torque them to 800 ft. lbs.
4. The knives should swing freely to absorb shocks from impact when striking objects.



WHEN CUTTING HEAVY BRUSH, KNIFE BOLTS SHOULD BE INSPECTED HOURLY AND RETORQUED TO 1070 DRY OR 800 OILED FT./LBS.

REPLACEMENT OF ROTARY DISK



Failure to follow the following warnings and instructions may result in serious injury or damage to the equipment or property!

The bolts that attach the knife mounting disk to the spindle must be grade 8. These 5/8 inch fine thread series bolts are to be torqued according to the chart in this section.

A thread locking agent may be applied to threads of all mounting bolts before they are installed.

Disks must be inspected daily for hairline cracks between spindle mounting bolts or around the knife mounting bolts. These cracks indicate metal fatigue caused by severe abuse. If cracks are present, the disk must be replaced.

Inspect the disk mounting bolts daily when checking tightness of blade mounting bolts. If a disk mounting bolt is loose, it must be removed, threads cleaned, fresh thread locking agent applied, and tightened to proper torque value.

If a knife mounting bolt is loose, the self locking nut must be replaced as a safety precaution. Lubricate threads with anti-seize, grease or motor oil. Place bolts through knife and disk from bottom side of disk. Install self locking nuts and torque them to 800 ft. lbs.

1. **WARNING: The disk alone weights over 100 lbs.** Be sure its weight can be supported before attempting to replace. The use of a lift mechanism will ease replacement.
2. Remove the six disk mounting bolts and the disk from the spindle.
3. Install new disk and align with mounting bolt holes.
4. Apply a thread locking agent to all of the mounting bolts and install the bolts through the disk.
NOTE: Disk bolts must be Grade 8.
5. Tighten bolts down and torque to values noted.
6. See knife replacement instructions for replacing the knives onto the new disk.

MAINTENANCE

HEAVY DUTY SPINDLE ASSEMBLY INSTALLATION AND BEARING ADJUSTMENT



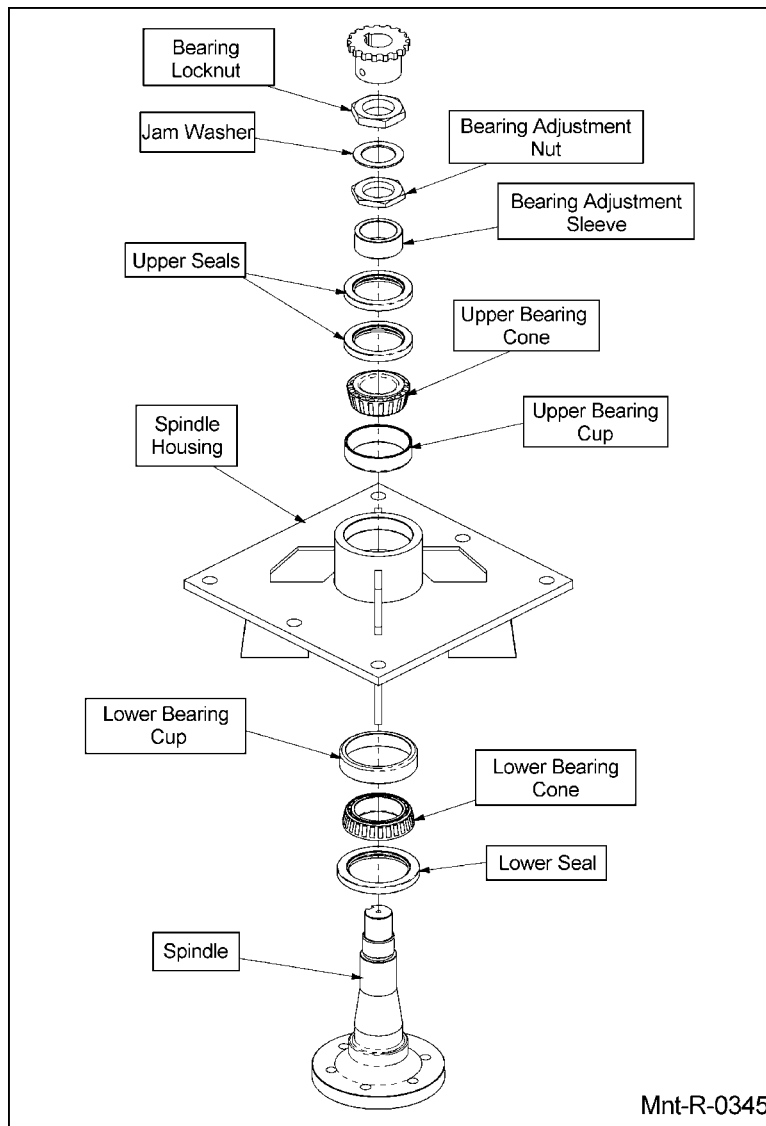
A press **MUST** be used to install bearing cups, bearing cones, and seals. **DO NOT** use a hammer to install races, bearings, or seals. The parts of assembly may be damaged.

NOTE: The grease zerk and gussets are located on the top side of the spindle housing. Be sure the spindle is assembled correctly.

Be sure to wear eye protection and other protective equipment as needed when working on spindle assembly.

THE SPINDLE ASSEMBLY

See the diagram below for identification of spindle parts, while servicing.



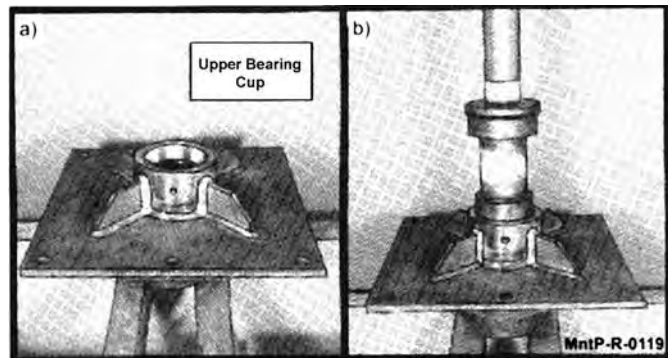
MAINTENANCE

MAINTENANCE

MAINTENANCE

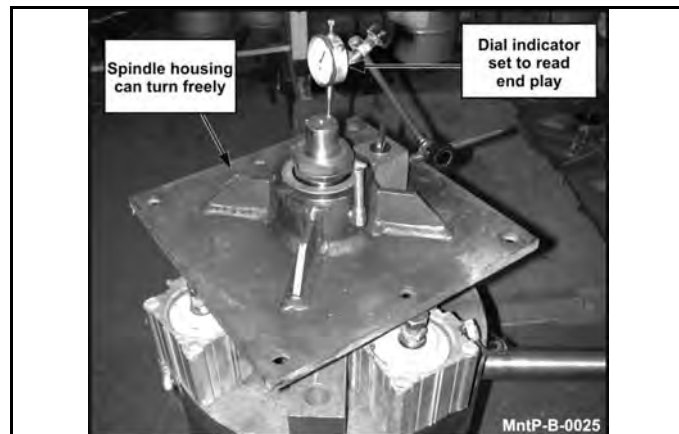
BEARING INSTALLATION

1. Press upper bearing cup into the spindle housing
2. Turn the spindle housing over and press in the lower bearing cup.
3. Place the lower bearing cone in the bearing cup. Next press the seal into the spindle housing. The inner lip of the seal must be DOWN, towards the bearing, so lubricant is sealed inside the housing.
4. Install the spindle in the housing. Lightly tap the end of the spindle with a soft faced hammer to seat the spindle against the bearing inner race.
5. Turn the spindle housing over (up position) and fill with Tiger Spindle Lubricant (part number 06540000) to the top edge of the upper bearing cup.
6. Support the bottom of the spindle and press the upper bearing cone and bearing adjustment sleeve onto the spindle.
NOTE: *The spindle housing must turn freely when seating the bearing cone and sleeve.*
7. Press the two upper seals into the spindle housing. The inner lip of the seals must be UP, away from the bearing, so excess lubricant can escape.
8. Install the bearing adjustment nut (thin nut) so there is 1-1/6" clearance between the nut and the sleeve. Install the jam washer, placing the tab into the key-way. Install the bearing lock nut (thin nut) and hand tighten against jam washer and adjustment nut. See the following section for bearing adjustment.



BEARING ADJUSTMENT

1. Clamp the bottom end of the spindle securely in a vise so the spindle housing turns freely.
2. Position a magnetic base dial indicator on the outer diameter of the spindle housing. Locate the end of the dial indicator against the flat end of the spindle shaft. The dial indicator will now measure accurately bearing end play.
3. Tighten the bearing adjustment nut until there is 0.012 inch movement when the spindle housing is pried upward away from the vise jaws.
4. When there is 0.012 inch free play between the spindle and housing, install the bearing lock nut (thick nut). Hold the adjusting nut securely and tighten the lock nut to 300 ft. lbs. of torque.
5. After the lock nut is tightened, there must be 0.001 inch to 0.003 inch of free play when lightly prying up on the spindle housing.



If the end play is correct, 0.001 inch to 0.003 inch, bend tabs up on jam washer to prevent the lock nut from loosening. If the end play is NOT correct, loosen the lock nut and turn the adjustment nut as required and re-tighten the lock nut. Repeat first part of step 5.

MAINTENANCE

MAINTENANCE

DAILY MAINTENANCE SCHEDULE

The following services should be performed daily or every 8 hours of service, following the detailed maintenance instructions in the operators manual.

_____ Pump Driveshaft: Check for end play in driveshaft / coupler and lubricate at zerks.

_____ Crankshaft adapter: If equipped with rubber grommets check condition, replace if missing or damaged.

_____ Pivot points: Inject grease until it appears at ends.

_____ Hydraulic fittings: Check for leaks with paper or cardboard. Tighten fittings or replace hoses immediately

_____ Knives: Inspect for missing or damaged knives, change (only complete sets) as needed.

_____ Main Frame/Deck: Unless otherwise specified retorque bolts according to torque specifications in this section.

_____ Hydraulic Fluid Level: Add, if required, per fluid recommendations.

Service performed by: _____ Date: ___/___/___ Hour

Meter: _____

Maintenance Section

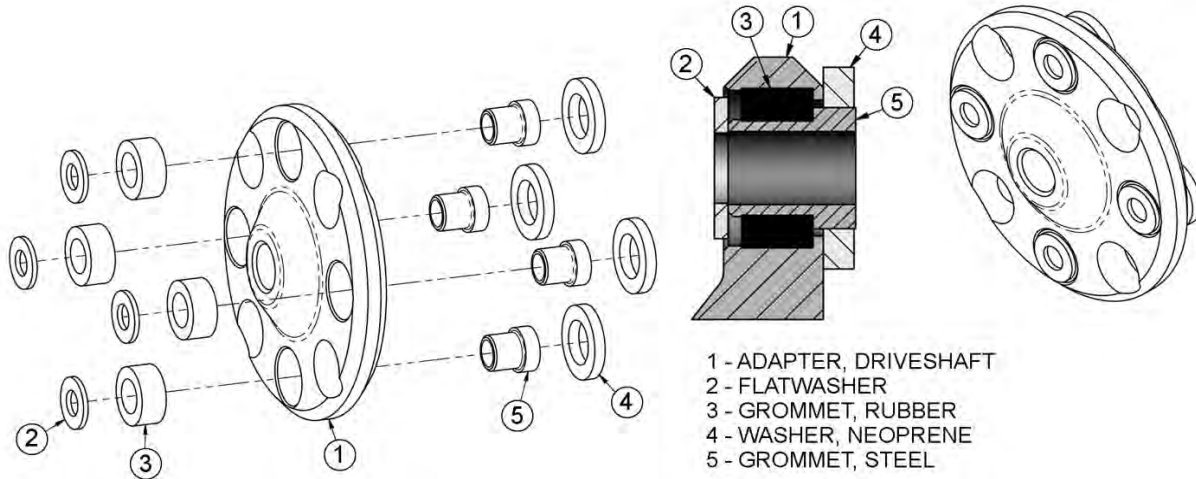
**This page may be copied and used as part of the daily maintenance routine.

MAINTENANCE

MAINTENANCE OF CRANKSHAFT ADAPTER ASSEMBLY (RIGID ENGINE MOUNT TRACTORS ONLY)

If replacement of components of the crankshaft adapter assembly is required, follow the assembly procedures shown below. Seat rubber grommet completely into counterbore, then seat steel grommet completely into rubber grommet while rubber grommet is supported.

(ASM-JD-0051 CRANKSHAFT ADAPTER MAINTENANCE)



MAINTENANCE

MAINTENANCE

MAINTENANCE

PARTS SECTION

PART NAME INDEX

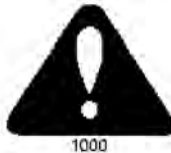
PARTS ORDERING GUIDE.....	3
TRACTOR MOUNT KIT.....	4
TRACTOR MOUNT KIT - HYDRAULICS.....	6
BERM DRAFT BEAM HYDRAULICS.....	9
COOLER MOUNT.....	10
TILT CYLINDER.....	12
NOTES.....	13
SWITCHBOX MOUNT.....	14
NOTES 1.....	16

PARTS ORDERING GUIDE

The following instructions are offered to help eliminate needless delay and error in processing purchase orders for the equipment in this manual.

1. The Parts Section is prepared in logical sequence and grouping of parts that belong to the basic machine featured in this manual. Part Numbers and Descriptions are given to help locate the parts and quantities required.
2. The Purchase Order must indicate the **Name and Address** of the person or organization ordering the parts, **who should be charged**, and if possible, the **serial number of the machine** for which the parts are being ordered.
3. The purchase order must clearly list the **quantity of each part**, the complete and correct **part number**, and the basic **name of the part**.
4. The manufacturer reserves the right to substitute parts where applicable.
5. Some parts may be unlisted items which are special production items not normally stocked and are subject to special handling. Request a quotation for such parts before sending a purchase order.
6. The manufacturer reserves the right to change prices without prior notice.

NOTE: When ordering replacement decals, refer to the part numbers and descriptions listed in the safety section in the front of this manual.

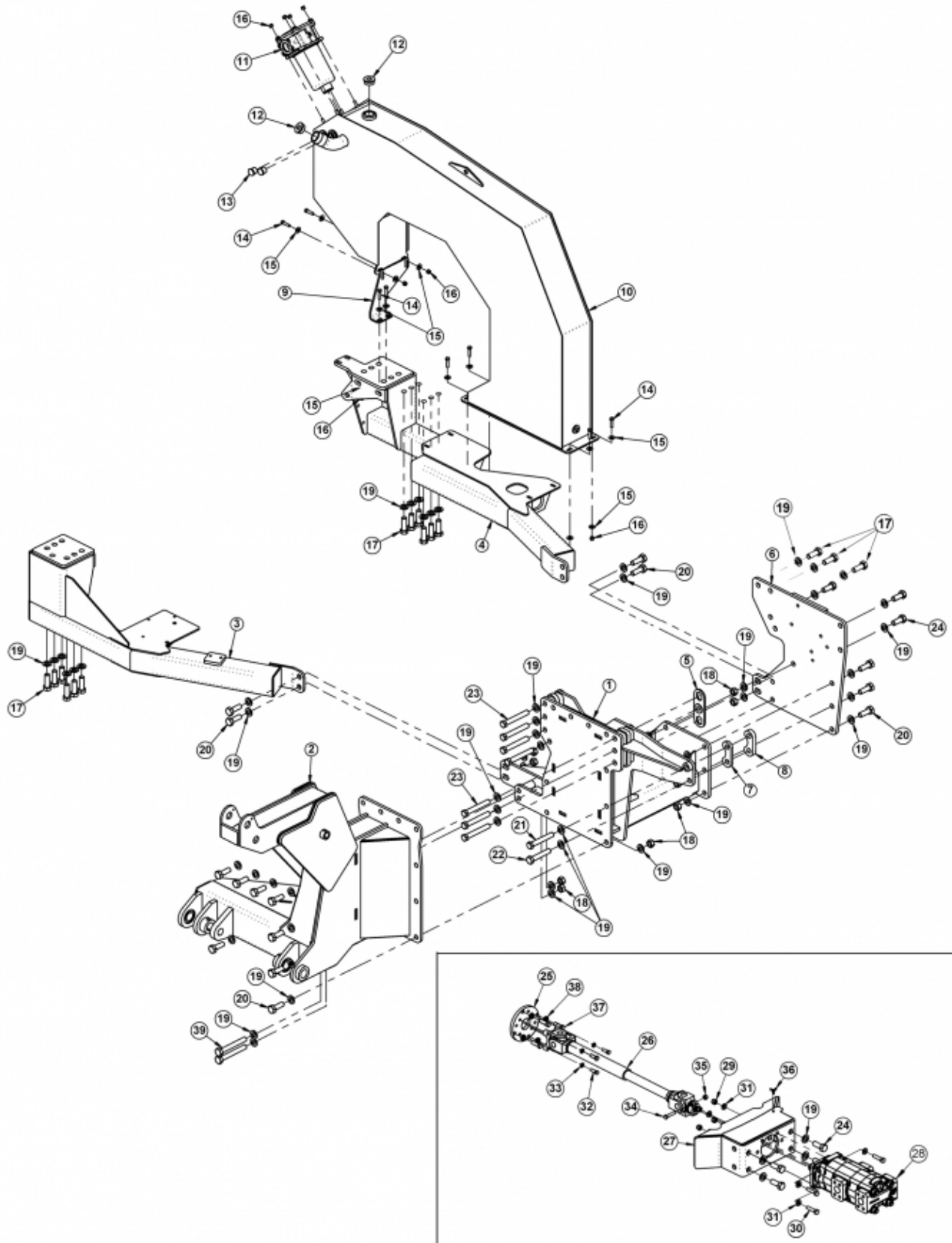


For maximum safety and to guarantee optimum product reliability, always use genuine **Tiger** replacement parts. The use of inferior replacement parts may cause premature or catastrophic failure which could result in serious injury or death.

Direct any questions regarding parts to:

Tiger Corporation
3301 N. Louise Ave.
Sioux Falls, SD 57107
1-800-843-6849
1-605-336-7900

TRACTOR MOUNT KIT



JD6M MY20 TWIN ROTARY 0 SPOOL

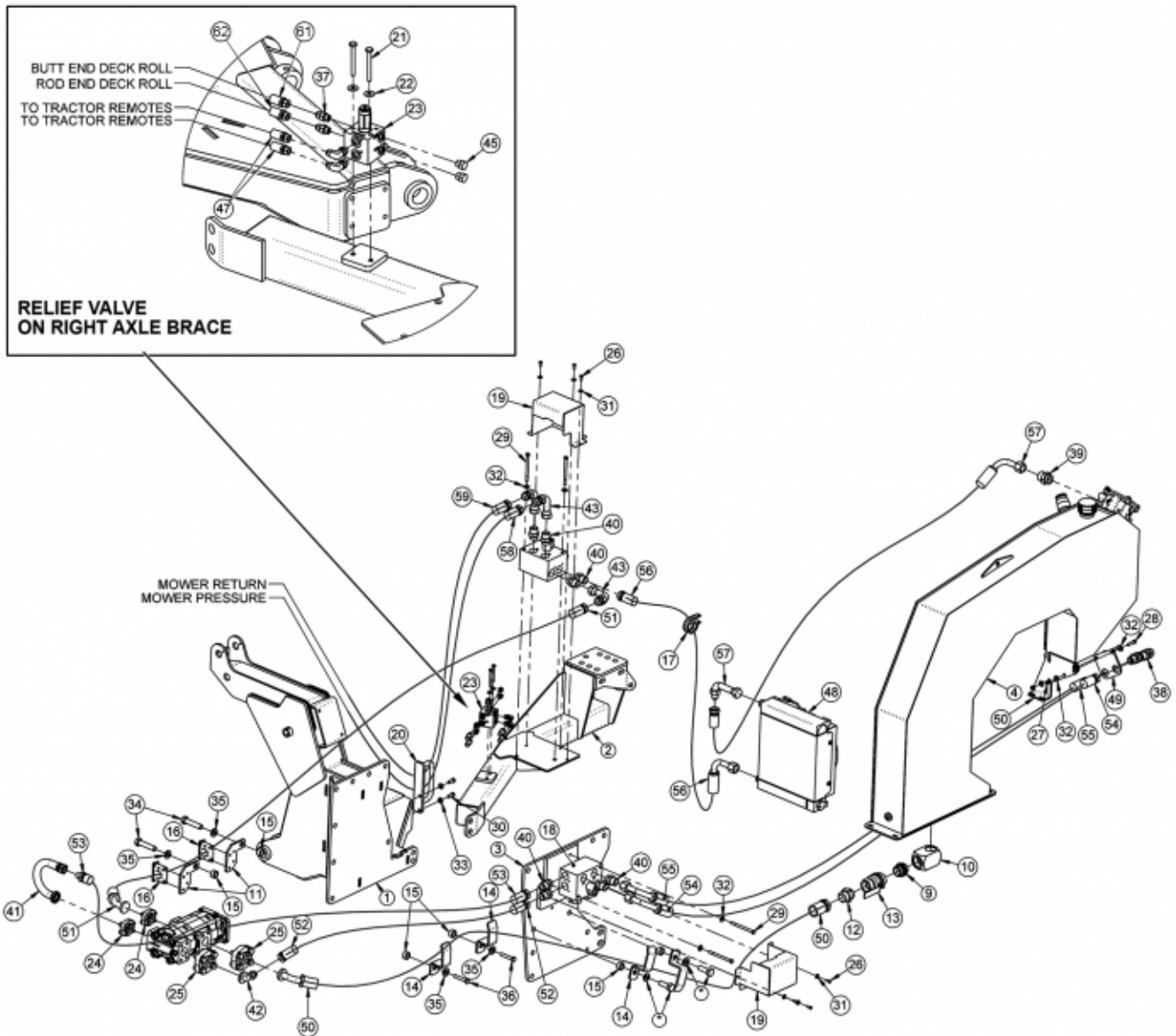
TRACTOR MOUNT KIT

Continued...

ITEM	PART NO.	QTY.	DESCRIPTION
1	06300383	1	MNFRM,MNT,JD6110M,T4F
2	06300480	1	MNFRM,TB,JD6110M,MY20
3	06300483	1	AXLBRC,RH,JD6110M,MY20
4	06300484	1	AXLBRC,LH,JD6110M,MY20
5	06370355	1	HOLDER,NUT,MID
6	06380112	1	RISER,LH,IH,JD6M,20
7	06403829	1	SPACER,FRONT
8	06403836	1	SPACER,FRONT,2
9	06412418	1	SUPPORT,TANK,06380084
10	06380115	1	TANK,RES,JD6MY20
11	06505044	1	FLTR ASSY,IN-TANK CPLT,SAE10MP
12	06505127	2	PLUG,SAE #20
13	6T1209	2	SIGHT GLASS,TANK
14	21632	8	CAPSCREW,3/8" X 1-1/2" NC
15	22016	16	FLATWASHER,3/8",GR8
16	21627	12	NYLOCK NUT,3/8",NC
17	27281	12	CAPSCREW,20MMX60MM(2.5 PITCH)
18	06531008	19	HEX NUT,3/4 NC,GR 8
19	33880	66	FLATWASHER,3/4",GR 8,SAE
20	06530237	19	CAPSCREW, 3/4 X 2 1/4,NC,GR8
21	06530542	1	CAPSCREW,20MM X 130MM
22	31240	1	CAPSCREW,20MMX110MM(2.5 PITCH)
23	06530545	7	CAPSCREW,20MM X 140MM,2.5P.GR10.9
24	31731	7	CAPSCREW,20MMX50MM(2.5 PITCH)
25	34998	1	SPACER,DRIVESHAF,JD72-7510/20
26	34999	1	DRIVESHAF, U-JOINT,JD62-7510/2
27	34993	1	MNT,PUMP,JD,U DRIVE
28	06504002	1	PUMP,TNDM,P350 1-3/4X1-3/4
29	21727	4	NYLOCK NUT,1/2,NC
30	21733	4	CAPSCREW, 1/2 X 2,NC
31	06533004	8	FLAT WASHER,1/2,SAE,GR 8
32	21680	4	CAPSCREW, 7/16 X 1 1/4,NC
33	21989	4	LOCKWASHER, 7/16"
34	21658	1	CAPSCREW, 7/16 X 2 ,NF
35	34848	1	HEX NUT, 7/16
36	06537071	1	SCREW,WING,1/4X5/8,NC,TYPE D,Z
37	6T2514	4	CAPSCREW,14MMX40MM(2.0 PITCH)
38	6T2624	4	LOCKWASHER,16MM
39	06530238	2	CAPSCREW, 3/4 X 6,NC,GR8

JD6M MY20 TWIN ROTARY O SPOOL

TRACTOR MOUNT KIT - HYDRAULICS



ITEM	PART NO.	QTY.	DESCRIPTION
1	06300398	1	MNFRM,TSF,JD6110M,BERM
2	06300483	1	AXLBRC,RH,JD6110M,MY20,TM
3	06380112	1	RISER,LH,IH,JD6M,20
4	06380115	1	TANK,RES,JD6MY20
5	06505044	1	FLTR ASSY,IN-TANK CPLT,SAE10MP
6	06505127	1	PLUG,SAE #20
7	06504002	1	PUMP,TNDM,P350 1-3/4X1-3/4
8	06505077	1	CAP,BREATHER,1 5/8MB
9	06503083	1	ADAPTER,1 1/2ORBX1 1/2ORB
10	06503084	1	ELBOW,1-1/2FOR X 1-1/2FOR,MACH
11	34626	2	CLAMP BRKT,62-6420

JD6M MY20 TWIN ROTARY 0 SPOOL

TRACTOR MOUNT KIT - HYDRAULICS

Continued...

ITEM	PART NO.	QTY.	DESCRIPTION
12	34710	1	ADAPTER,1 1/2ORB X 1 1/2MJ
13	34309	1	BALL VALVE,1 1/2 FOR
14	32382	4	BRACKET,HOSE
15	024849	6	SPACER
16	06505017	2	CLAMP KIT,HOSE,1X1.4,2PST
17	06520536	1	CLAMP,HOSE,2 1/2",INS
18	06510083	2	VALVE,BRAKE,SOL,3000PSI,METRI
19	06340079	2	COVER,BV,06300482
20	06370364	1	GUIDE,HOSE,BERM,XD
21	21588	2	CAPSCREW,5/16X3,NC
22	22015	2	FLATWASHER,5/16
23	32875	1	VALVE,RELIEF,T3F
24	TF4852	2	KIT,FLANGE,#20
25	TF4854	2	KIT,FLANGE,#24
26	21529	10	CAPSCREW,1/4" X 3/4" NC
27	21627	2	NYLOCK NUT,3/8",NC
28	21632	2	CAPSCREW,3/8" X 1-1/2" NC
29	21644	4	CAPSCREW,3/8" X 5" NC
30	21679	2	CAPSCREW, 7/16 X 1,NC
31	22014	10	FLATWASHER,1/4,GR8
32	22016	8	FLATWASHER,3/8",GR8
33	22017	2	FLATWASHER,7/16"
34	30708	2	CAPSCREW,20MMX90MM(2.5 PITCH)
35	33880	4	FLATWASHER,3/4",GR 8,SAE
36	06530519	2	CAPSCREW,12MMX70MM(1.75)
37	32901	2	ADAPTER,3/8 MOR X 3/8 MJ
38	33287	2	FITTING,BULKHEAD,1MJ X 1MOR
39	34067	1	NIPPLE, 1-1/4MOR X 1-1/4MJ
40	33555	8	NIPPLE,MALE LONG,1MOR X 1MJ
41	34227	1	PRFRMD,180°(16FJXX20FL)
42	06503095	1	ELBOW,24FLG45X1MJ
43	06503200	3	ELBOW,16MJX16FJX,BT90
44	06503222	1	ELBOW,16MJX16FJX,BT90,L
45	6T4196	2	PLUG,O RING
46	32902	2	ELBOW,3/8 MOR X 3/8 MJ
47	06510351	1	COOLER,ADAMS,OPTIMUM
48	06403889	1	BULKHEAD,MY20
49	06412418	1	SUPPORT,TANK,06380084
50	06412711	2	COVER,BV,06340079,JD6MY20
51	06500746	1	HOSE,#24X107(24FJXX24FL45)
52	06501308	1	HOSE,#16X114(16FJXX20FL45)

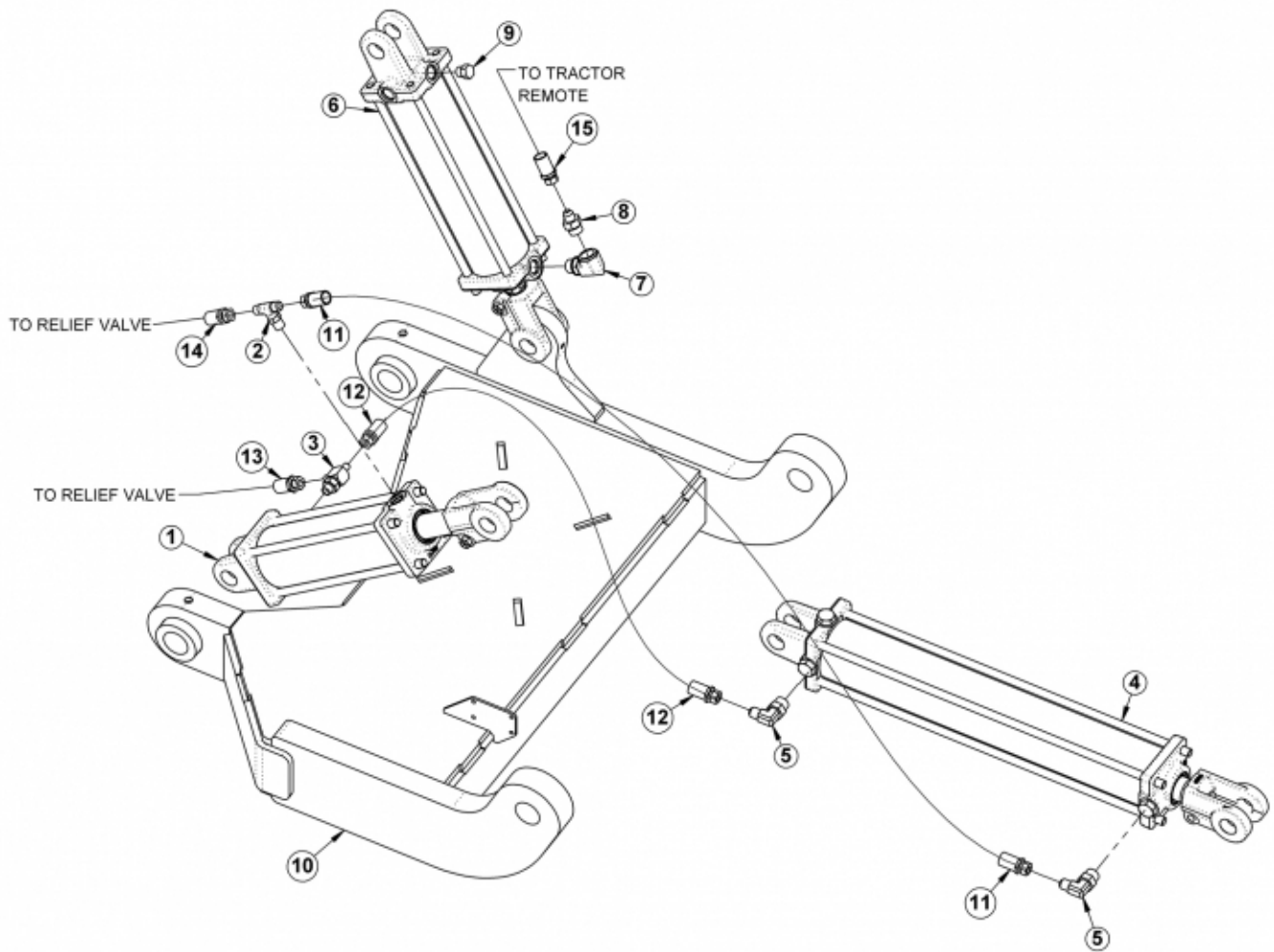
JD6M MY20 TWIN ROTARY O SPOOL

TRACTOR MOUNT KIT - HYDRAULICS

Continued...

ITEM	PART NO.	QTY.	DESCRIPTION
53	06500483	1	HOSE,#16X64(FJXXFJX)
54	06501322	1	HOSE,#16X66(16MJX16FJX)
55	06500319	1	HOSE,#16X108(16FJXX16FJX90)
56	06500348	1	HOSE,#16X110(16FJXX16FJX90)
57	06501309	1	HOSE,#16X93(16FJXX16FJX90L)
58	06501313	1	HOSE,#16X161(16FJXX20FJX90)
59	06500753	1	HOSE,#16X103(16FJXX16MJ)
60	06501272	1	HOSE,#16X95(16FJXX20FL45)
61	06500848	2	HOSE,#4X46(6FJXX6FJX)
62	33496	1	HOSE,#4X58(6FJXX6FJX)
63	33560	2	HOSE,#4X93(6FJX90X6FJX)

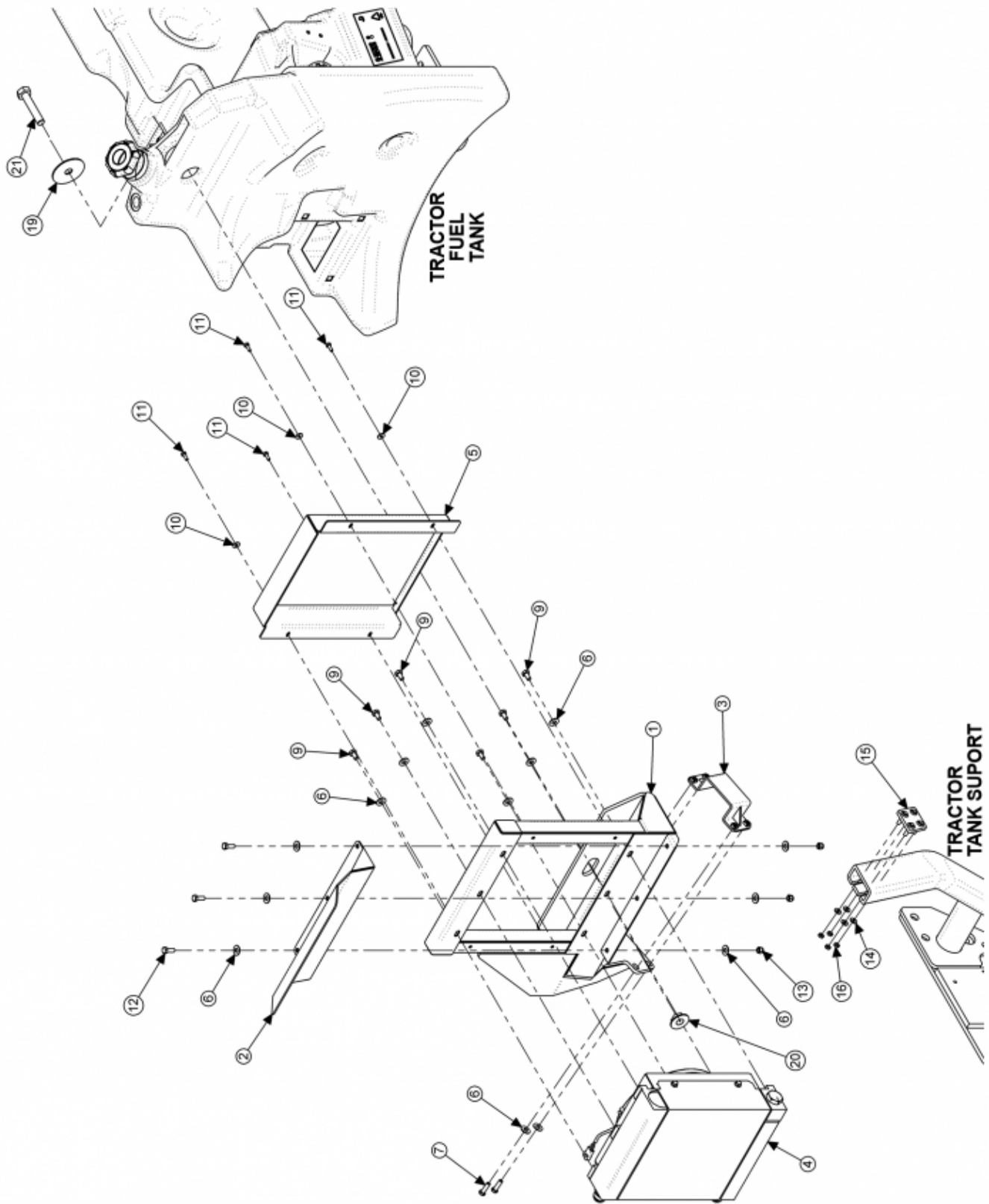
BERM DRAFT BEAM - HYDRAULICS



ITEM	PART NO.	QTY.	DESCRIPTION
1	06501037	1	CYLINDER,3X8,180
2	34020	1	TEE,BRANCH,3/8MJX1/2ORBX3/8MJ
3	06503029	1	TEE,RUN,1/2ORBX3/8MJX3/8MJ
4	6T0150	1	CYLINDER,3X18
5	32810	2	ELBOW, 1/2 X 3/8"
6	6T0151R	1	CYLINDER,3X10,RTRY TOP PORT
7	34244	1	ELBOW, 1/2ORB X 1/2FOR
8	34396	1	ADAPTER,.06" REST,1/2" X 3/8"
9	6T4258	1	BREATHER,1/2 O-RING
10	06350019	1	DRAFT BEAM,BERM
11	06500848	1	HOSE,#4X46(6FJXX6FJX)
12	32909	1	HOSE,#4X36(6FJXX6FJX)
13	06500848	1	HOSE,#4X46(6FJXX6FJX)
14	33496	1	HOSE,#4X58(6FJXX6FJX)
15	06500311	1	HOSE,#4X156(6FJX90X6FJX)

JD6M MY20 TWIN ROTARY O SPOOL

COOLER MOUNT

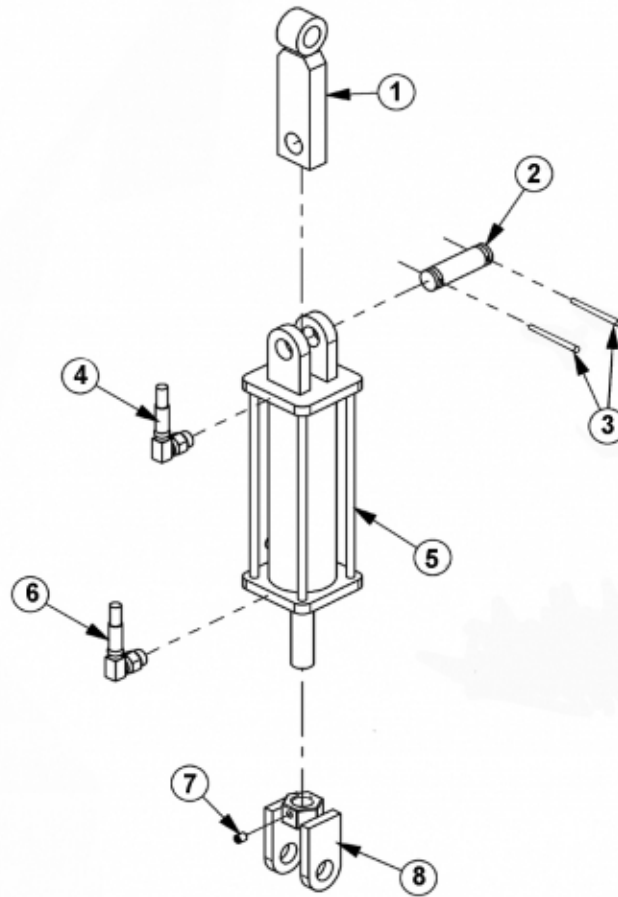


COOLER MOUNT

Continued...

ITEM	PART NO.	QTY.	DESCRIPTION
1	06380124	1	MOUNT, COOLER, LH, JD6M, 20
2	06380113	1	GUARD
3	06380125	1	CLAMP, COOLER, JD6M, 20
4	06510351	1	COOLER, ADAMS, OPTIMUM
5	06380118	1	GUARD, FAN, COOLER, JD6M
6	22016	16	FLATWASHER, 3/8" GR8
7	21631	4	CAPSCREW, 3/8" X 1-1/4", NC, GR8
8	06380112	1	RISER, LH, IH, JD6M, 20
9	21629	6	CAPSCREW, 3/8" X 3/4", NC
10	22014	4	FLATWASHER, 1/4" GR8
11	21529	4	CAPSCREW, 1/4" X 3/4" NC
12	21630	3	CAPSCREW, 3/8" X 1" NC
13	21627	3	NYLOCK NUT, 3/8" NC
14	----	4	8MM FLATWASHER (RE-USED FROM TRACTOR)
15	---	1	BOLT PLATE (RE-USED FROM TRACTOR)
16	----	4	8MM HEX NUT (RE-USED FROM TRACTOR)
17	---	1	TANK SUPPORT (RE-USED FROM TRACTOR)
18	----	1	TRACTOR FUEL TANK (RE-USED FROM TRACTOR)
19	---	1	WASHER (RE-USED FROM TRACTOR)
20	----	1	3/4" FLANGE NUT (RE-USED FROM TRACTOR)
21	---	1	3/4" CAPSCREW (RE-USED FROM TRACTOR)

TILT CYLINDER

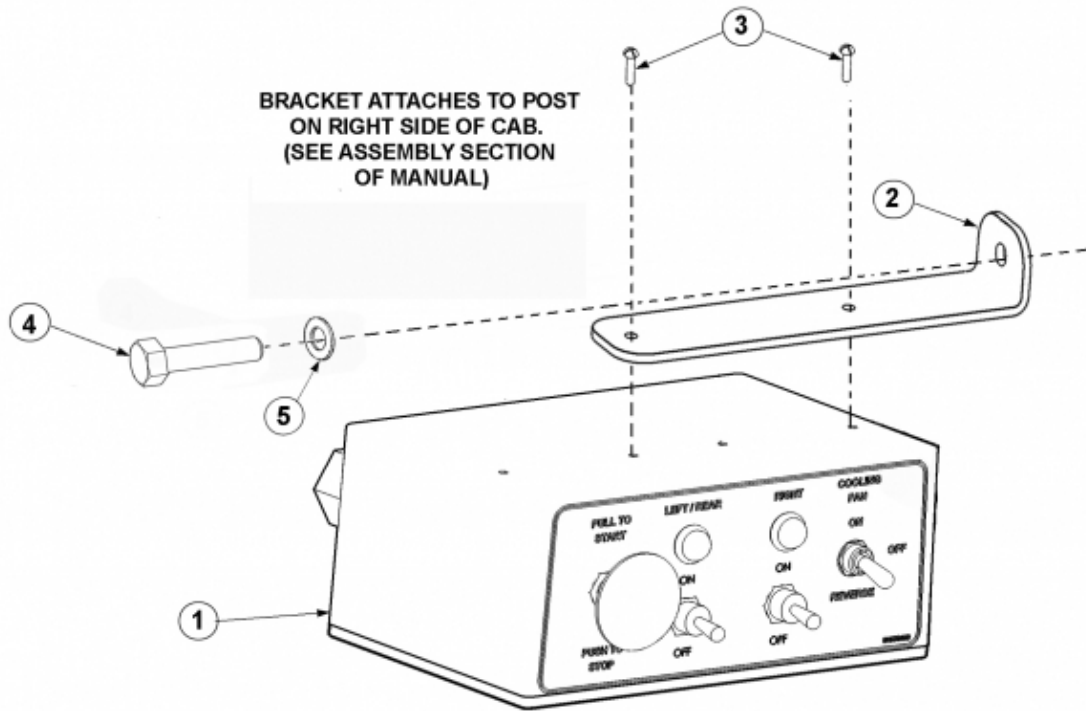


ITEM	PART NO.	QTY.	DESCRIPTION
1	31807	1	CLEVIS, 3PT, UPP
2	TB1033	1	PIN
3	6T3004	2	R-CLIP
4	06500030	1	HOSE, 1/4" X 28"
5	30481	1	CYLINDER, 3" X 8"
6	06500029	1	HOSE, 1/4" X 31"
7	6T2272	1	SETSCREW, 3/8" X 1/2" NC
8	06700057	1	CLEVIS, ASSY, LOWER

NOTES

NOTES

SWITCHBOX MOUNT



SWITCHBOX MOUNT

Continued...

ITEM	PART NO.	QTY.	DESCRIPTION
1	06510102	1	SWITCHBOX, SIDE
2	34496	1	BRACKET, SWITCHBOX
3	32359	2	SCREW, MACHINE, 8-32 X 3/4"
4	33534	1	CAPSCREW, 10MM X 20MM (1.5P)
5	32724	1	FLATWASHER, 10MM

NOTES

COMMON TWIN ROTARY

PARTS SECTION

NOTES



PART NAME INDEX

PARTS ORDERING GUIDE.....	5
CABLE DRAFT BEAM ASSEMBLY.....	6
COMBO DRAFT BEAM ASSEMBLY.....	8
60IN SIDE CABLE TM ROTARY MOWER.....	10
72IN SIDE CABLE TM ROTARY MOWER.....	12
60IN SIDE COMBO TM ROTARY MOWER.....	14
72IN SIDE COMBO TM ROTARY MOWER.....	16
60IN SIDE TSR ROTARY MOWER.....	18
60IN REAR TM ROTARY MOWER.....	20
60IN REAR TSR ROTARY MOWER.....	22
REAR ROTARY HYDRAULICS.....	24
60IN SIDE TM CHAIN GUARDS.....	26
72IN SIDE TM CHAIN GUARDS.....	28
60IN TSR REAR GUARDS.....	30
TM MOWER SPINDLE ASSEMBLY.....	32
TSR MOWER SPINDLE ASSEMBLY.....	34
ROTARY DISK AND KNIVES.....	36
NOTES.....	37
SIDE ROTARY CASTER WHEEL ASSEMBLY.....	38
60IN TM REAR CASTER WHEEL & 3PT ASSY.....	40
CASTER WHEEL ASSEMBLY.....	42
SAFETY STAND.....	43
3IN X 10IN HYDRAULIC CYLINDER BREAKDOWN.....	44
3IN X 12IN HYDRAULIC CYLINDER BREAKDOWN.....	45
3IN X 18IN HYDRAULIC CYLINDER BREAKDOWN.....	46
RESERVOIR TANK FILTER ASSEMBLY.....	47
ROTARY MOTOR BREAKDOWN.....	48
60IN TSR ROTARY MOTOR BREAKDOWN.....	50
FRONT HYDRAULIC PUMP BREAKDOWN.....	52
COOLER ASSEMBLY.....	54
CABLE (MANUAL) LIFT VALVE BREAKDOWN - 31320.....	56
CABLE (MANUAL) LIFT VALVE BREAKDOWN - 31321.....	58
CABLE (MANUAL) LIFT VALVE BREAKDOWN - 06502043.....	60
CABLE (MANUAL) LIFT VALVE BREAKDOWN - 06502044.....	62
CABLE (MANUAL) LIFT VALVE BREAKDOWN - 06502087.....	64
CABLE (MANUAL) LIFT VALVE BREAKDOWN - 06502088.....	66
BRAKE VALVE ASSEMBLY.....	68
BRAKE VALVE HYDRAULIC SCHEMATIC.....	69
CABLE DRAFT BEAM TRAVEL LOCK.....	70
COMBO DRAFT BEAM TRAVEL LOCK.....	71

COMMON TWIN

PART NAME INDEX

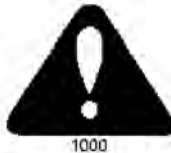
SWITCH BOX.....	72
SWITCH BOX SCHEMATIC.....	73
NOTES 1.....	74

PARTS ORDERING GUIDE

The following instructions are offered to help eliminate needless delay and error in processing purchase orders for the equipment in this manual.

1. The Parts Section is prepared in logical sequence and grouping of parts that belong to the basic machine featured in this manual. Part Numbers and Descriptions are given to help locate the parts and quantities required.
2. The Purchase Order must indicate the **Name and Address** of the person or organization ordering the parts, **who should be charged**, and if possible, the **serial number of the machine** for which the parts are being ordered.
3. The purchase order must clearly list the **quantity of each part**, the complete and correct **part number**, and the basic **name of the part**.
4. The manufacturer reserves the right to substitute parts where applicable.
5. Some parts may be unlisted items which are special production items not normally stocked and are subject to special handling. Request a quotation for such parts before sending a purchase order.
6. The manufacturer reserves the right to change prices without prior notice.

NOTE: When ordering replacement decals, refer to the part numbers and descriptions listed in the safety section in the front of this manual.

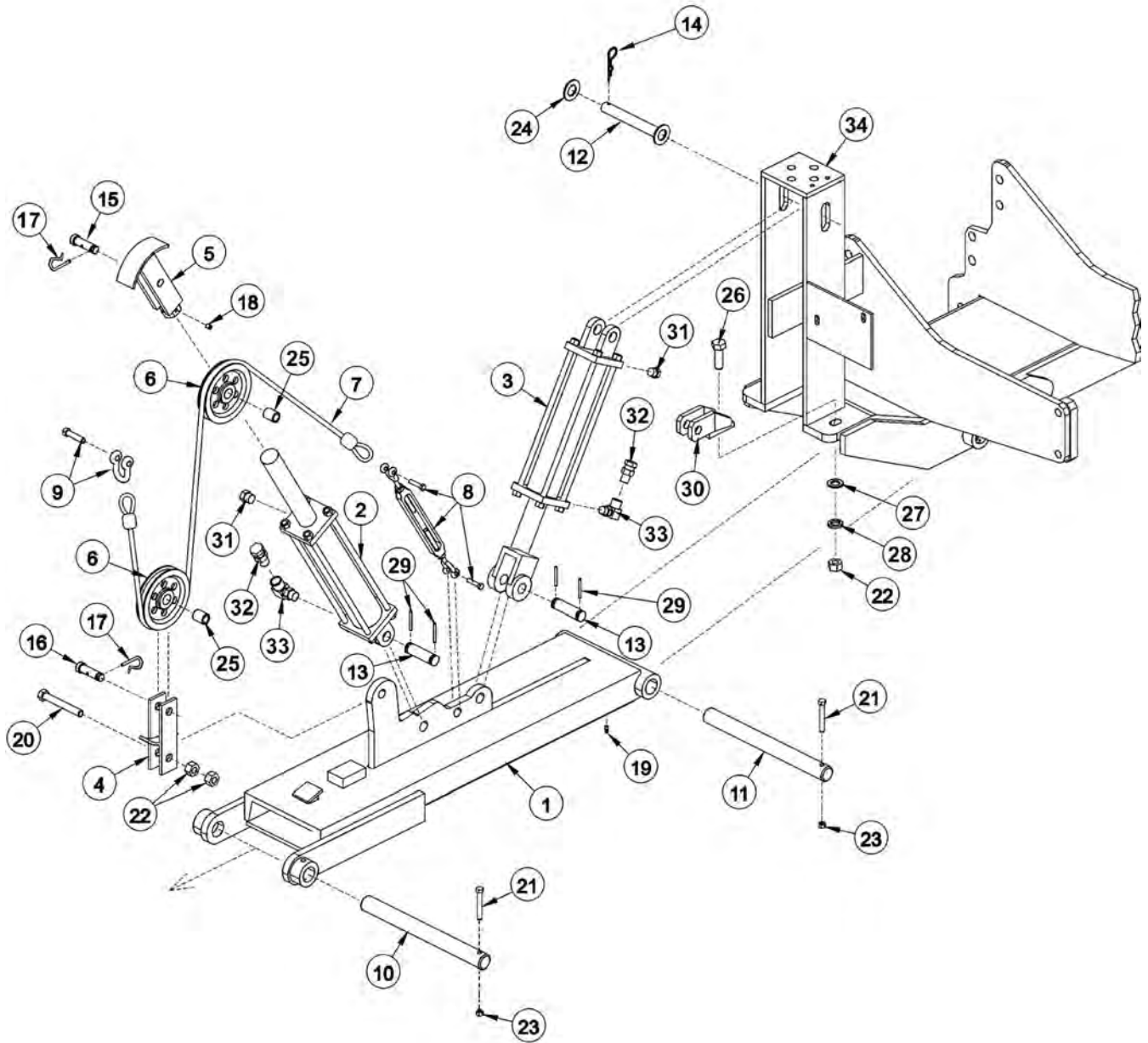


For maximum safety and to guarantee optimum product reliability, always use genuine **Tiger** replacement parts. The use of inferior replacement parts may cause premature or catastrophic failure which could result in serious injury or death.

Direct any questions regarding parts to:

Tiger Corporation
3301 N. Louise Ave.
Sioux Falls, SD 57107
1-800-843-6849
1-605-336-7900

CABLE DRAFT BEAM ASSEMBLY



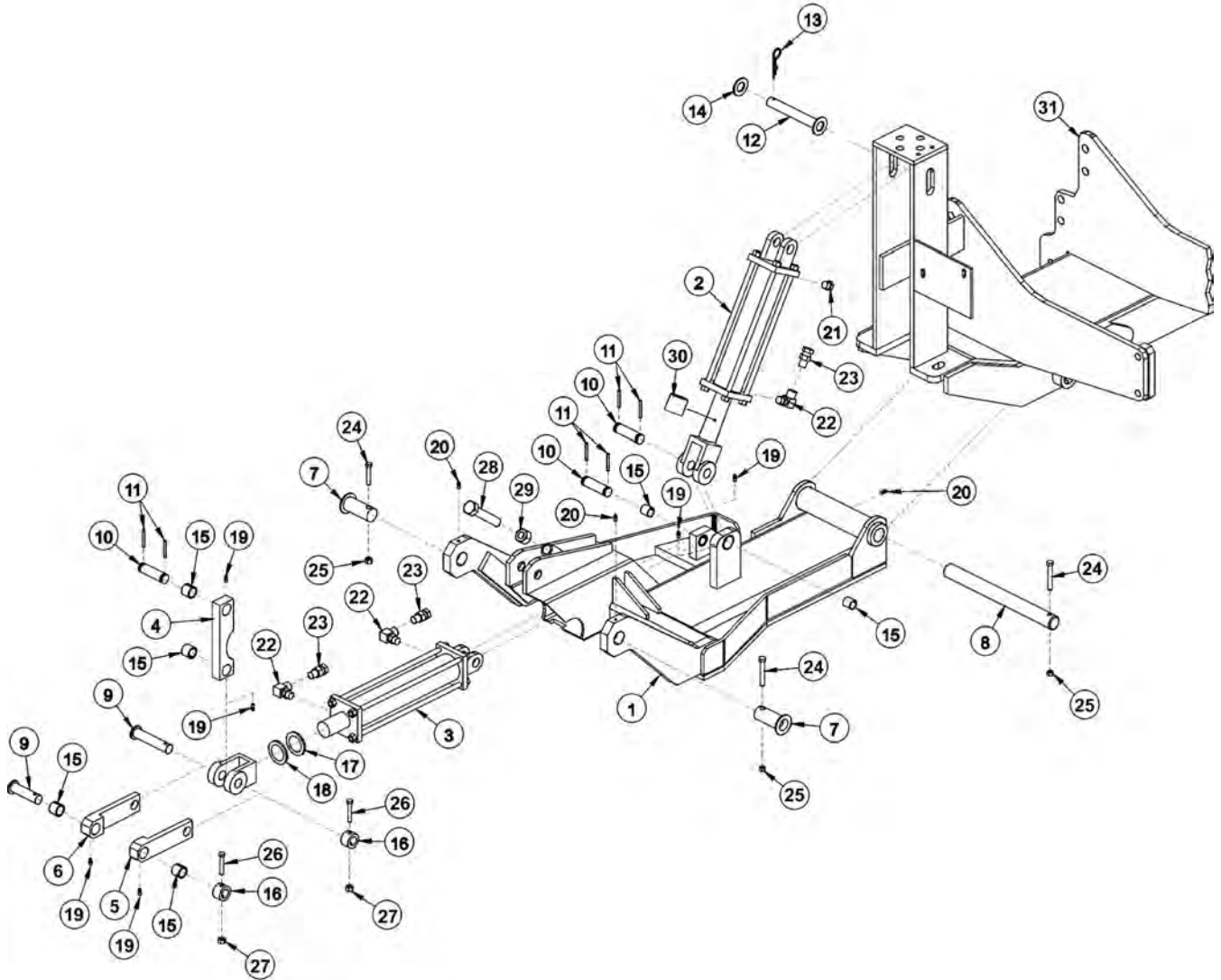
CABLE DRAFT BEAM ASSEMBLY

Continued...

ITEM	PART NO.	QTY.	DESCRIPTION
1	6T0105	-	DRAFT BEAM (STD WITH TRAVEL LOCK)
---	27241	-	DRAFT BEAM (EXTENDED 6")
2	6T0150	1	CYLINDER 3" X 18"
3	6T0151R	1	HYD. CYLINDER 3" X 10"
4	6T0100	1	LOWER SHEAVE BRACKET
5	6T0101	1	UPPER SHEAVE BRACKET
6	33768	2	SHEAVE
7	6T0110	1	LIFT CABLE (STD 1/2" X 87 1/2")
---	6T0110E	-	LIFT CABLE (EXTENDED 6")
8	6T0115	1	TURN BUCKLE
9	6T0112	1	SHACKLE WITH PIN
10	6T2999	1	OUTER DRAFT BEAM PIN 1 1/2" X 14 1/2"
11	6T3001	1	INNER DRAFT BEAM PIN 1 1/2" X 15 3/4"
12	6T3005	1	CYLINDER PIN 1" X 6 5/8"
13	TB1033	2	CLEVIS PIN 1" X 4"
14	6T3004	1	R - CLIP 3/16"
15	6T3010	1	UPPER SHEAVE PIN WITH ZERK 3/4" X 3"
16	6T3009	1	LOWER SHEAVE PIN WITH ZERK 3/4" X 2 1/2"
17	6T3020	2	R - CLIP 5/32"
18	6T2272	1	SET SCREW 3/8" X 1/2"
19	6T3211	1	GREASE ZERK 1/8" STRAIGHT
20	21837	1	CAPSCREW 3/4" X 3 1/4"
21	21688	2	CAPSCREW 7/16" X 3 1/4"
22	21825	2	HEX NUT 3/4"
23	21677	2	NYLOCK NUT 7/16"
24	22023	1	FLAT WASHER 1"
25	6T0104N	2	SHEAVE PIN BUSHING 1" OD X 3/4" ID
26	21833	1	CAPSCREW 3/4" X 2 1/4"
27	22021	1	FLAT WASHER 3/4"
28	21993	1	LOCK WASHER 3/4"
29	06537021	4	ROLL PIN
30	6T0106	1	TRAVEL LOCK BRACKET
31	6T4258	2	BREATHER 1/2"
32	34396	2	RESTRICTOR
33	34244	2	ELBOW FITTING 1/2"
34	-----	-	MAIN FRAME *REFER TO TRACTOR PARTS SECTION

COMMON TWIN

COMBO DRAFT BEAM ASSEMBLY



NOTES:

1. ITEM 30 IS USED ON THE GLAND END OF ITEM 2 (AS NEEDED)
2. ORIENTATION OF ITEMS 4,5 & 6 ARE CRITICAL

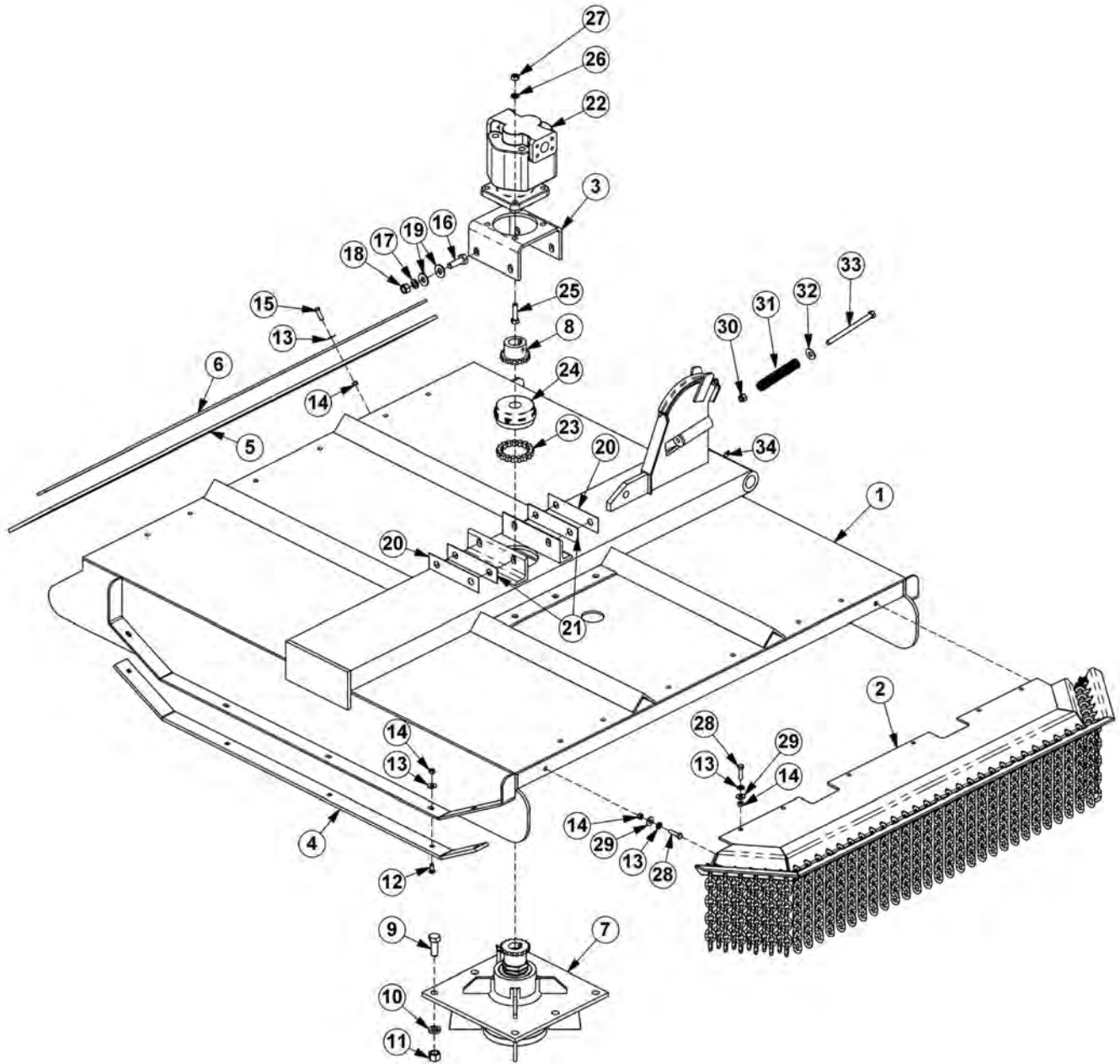
COMBO DRAFT BEAM ASSEMBLY

Continued...

ITEM	PART NO.	QTY.	DESCRIPTION
1	06350001	1	COMBO DRAFT BEAM - STD DTY ROTARY
---	31063	-	COMBO DRAFT BEAM - HVY DTY ROTARY
2	6T0151R	1	HYD. CYLINDER 3" X 10"
3	32215	1	HYD. CYLINDER 3" X 12" - STD DTY
---	25343	-	HYD. CYLINDER 3" X 12" - HVY DTY
4	TF4500A	1	PIVOT ARM
5	TF4507B	1	RIGHT LINKAGE ARM
6	TF4506B	1	LEFT LINKAGE ARM
7	30126B	2	PIN, HEAD PIVOT - STD DTY
---	TF4514A	-	PIN, HEAD PIVOT - HVY DTY
8	6T3001	1	PIN, BEAM PIVOT
9	TF4519	2	PIN, LINKAGE
10	TB1033	3	PIN, CLEVIS
11	06537021	6	ROLLPIN
12	6T3005	1	PIN, 1" W/ CAP
13	6T3004	1	R-CLIP HAIRPIN
14	6T2614	1	FLATWASHER 1"
15	TB3010	8	BUSHING 1"
16	22847	2	BOSS, LINKAGE PIN
17	22076	1	SPACER, HYD. CYLINDER 1/4"
18	22077	1	SPACER, HYD. CYLINDER 5/16"
19	6T3207	6	GREASE ZERK 1/4"
20	6T3211	3	GREASE ZERK 1/8"
21	6T4258	1	BREATHER 1/2"
22	34244	3	ELBOW FITTING 1/2"
23	34396	3	SWIVEL RESTRICTOR
24	21688	3	CAPSCREW 7/16" X 3 1/4"
25	21677	3	NYLOCK NUT 7/16"
26	21635	2	CAPSCREW 3/8" X 2 1/4"
27	21625	2	HEX NUT 3/8"
28	21831	1	CAPSCREW 3/4" X 1 3/4"
29	21825	1	HEX NUT 3/4"
30	06700095	1	CYLINDER SPACER W/SET SCREW
31	-----	-	MAIN FRAME *REFER TO TRACTOR MOUNT PAGE

COMMON TWIN

60IN SIDE CABLE TM ROTARY MOWER



COMMON TWIN

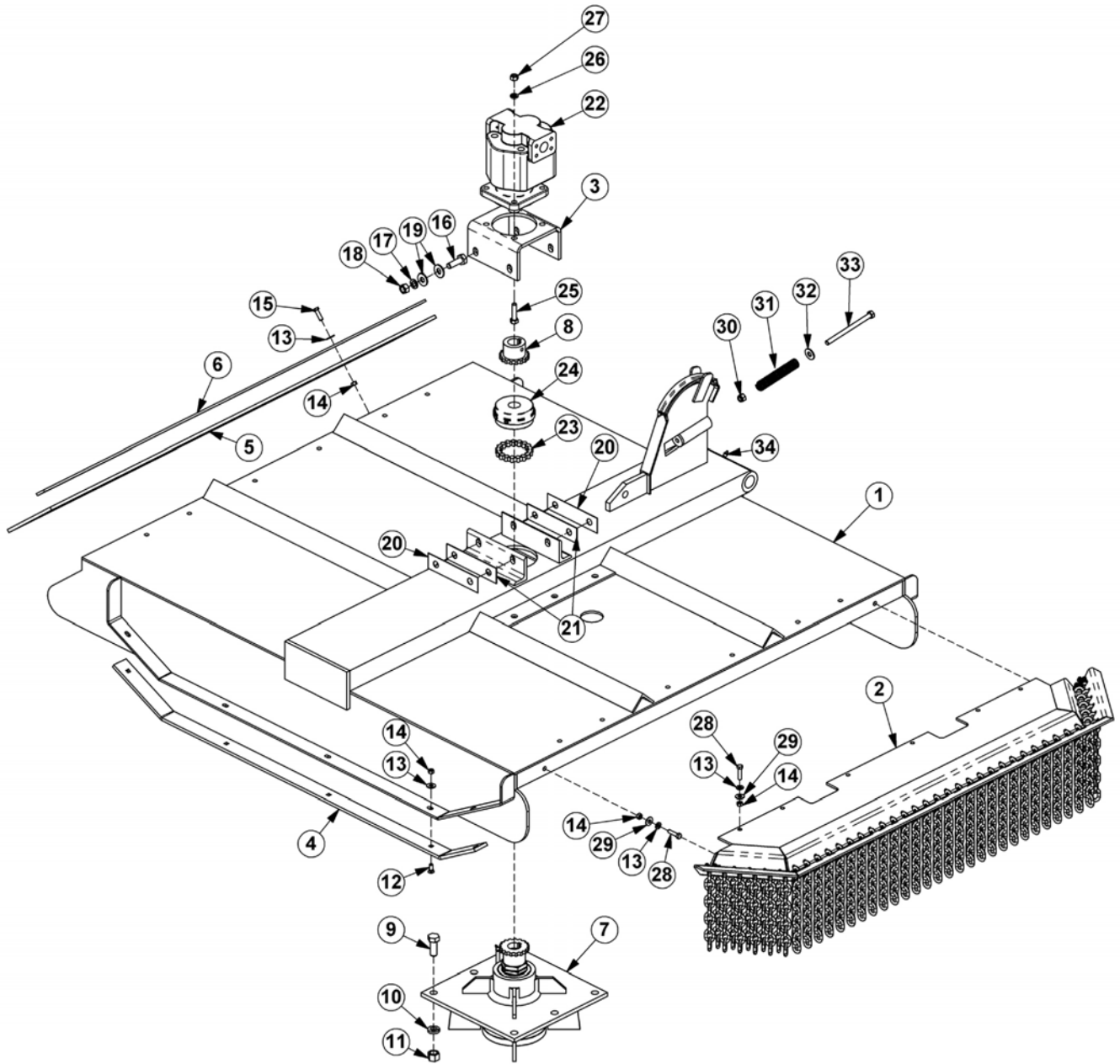
60IN SIDE CABLE TM ROTARY MOWER

Continued...

ITEM	PART NO.	QTY.	DESCRIPTION
1	32099	1	RTRY, 60" DECK, CABLE
2	31773	1	GAURD,CHAIN,FRONT,SR60
3	6T1001	1	BRKT, MOTOR MTG, 60"SIDE RTRY
4	6T0820H	2	SKID SHOE, TM60
5	22592	1	FLAP, DEFLECTOR, TM60
6	6T0823	1	BAR, FLAP, TM60
7	6T1024H5	1	SPINDLE ASSY,CPLT,HD,5/8" HOLES
8	21223	1	SPROCKET, 1-1/4" BORE
9	6T2277	6	CAPSCREW,3/4" X 2",NF
10	21993	6	LOCKWASHER,3/4",GR 8
11	6T2413	6	HEX NUT,3/4",NF,GR 8
12	6T2270	10	PLOW BOLT,3/8" X 1",NC
13	22016	29	FLATWASHER,3/8"
14	21625	29	HEX NUT,3/8",NC
15	21631	11	CAPSCREW, 3/8" X 1-1/4",NC
16	21783	4	CAPSCREW, 5/8" X 2",NC
17	21992	4	LOCKWASHER, 5/8"
18	21775	4	HEX NUT, 5/8"
19	25270	8	FLATWASHER,5/8",GR 8
20	6T0822	2	SHIM, MOTOR MOUNT, 14GA. (AS NEEDED)
21	6T0822A	2	SHIM, MOTOR MOUNT, 18 GA. (AS NEEDED)
22	6504011	1	MOTOR,(M365-2 1/4" GEAR)
23	6T1029	1	CHAIN, COUPLING
24	6T1033	1	COVER, COUPLING
25	21733	4	CAPSCREW, 1/2" X 2",NC
26	21990	4	LOCKWASHER,1/2"
27	21725	4	HEX NUT, 1/2",NC
28	21632	8	CAPSCREW,3/8" X 1-1/2",NC
29	21988	8	LOCKWASHER,3/8"
30	21727	1	NYLOCK NUT,1/2",NC
31	27005	1	SPRING,PUSHOFF,SIDE RTRY
32	22018	1	FLATWASHER,1/2",WIDE
33	21745	1	CAPSCREW,1/2" X 7",NC
34	6T3211	1	GREASE ZERK

COMMON TWIN

72IN SIDE CABLE TM ROTARY MOWER



COMMON TWIN

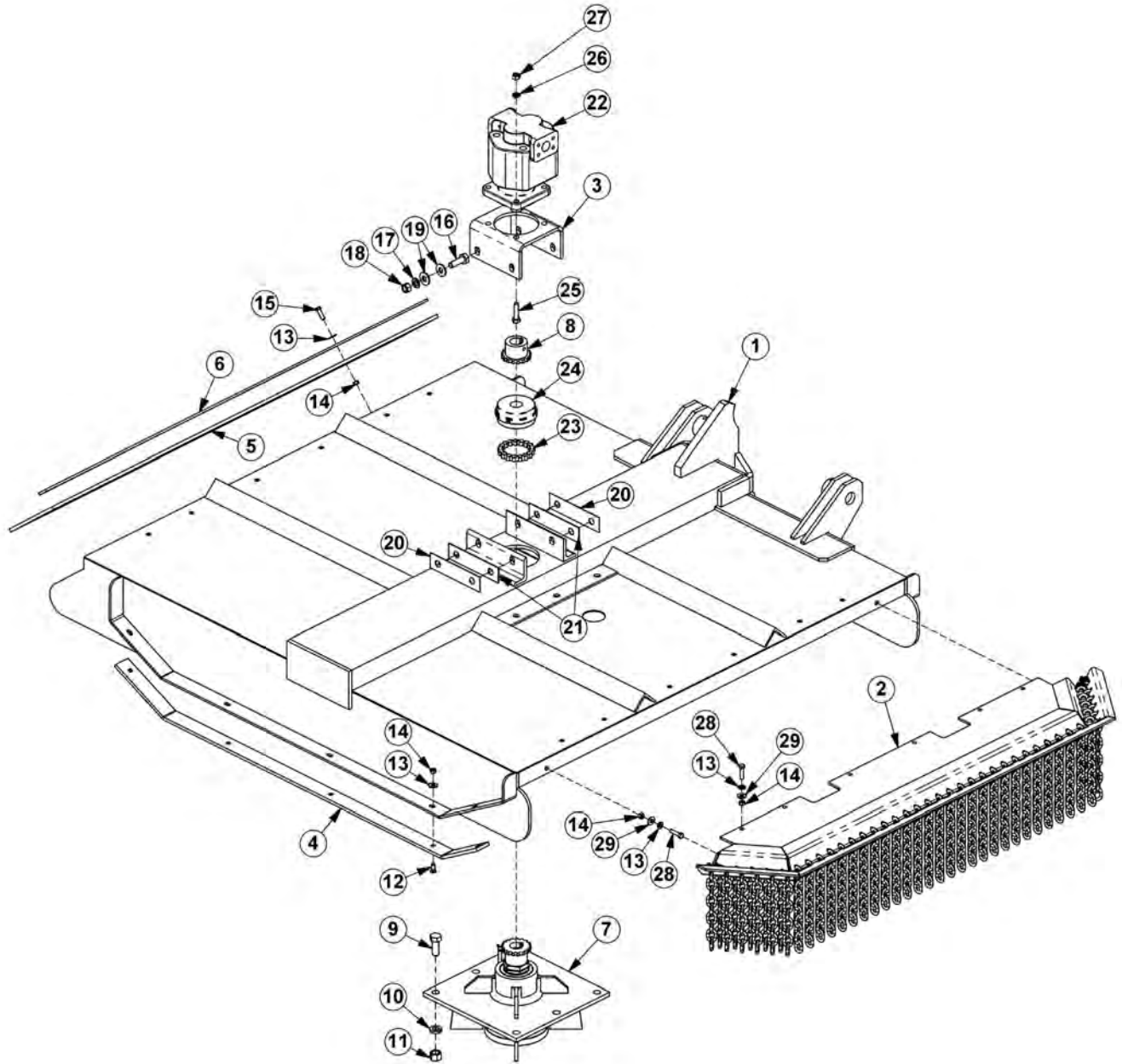
72IN SIDE CABLE TM ROTARY MOWER

Continued...

ITEM	PART NO.	QTY.	DESCRIPTION
1	21225B	1	RTRY,72" DECK, CABLE
2	31931	1	GUARD,CHAIN,FRONT,SR72
3	6T1001	1	BRKT, MOTOR MTG, 60"SIDE RTRY
4	21248	2	SKID SHOE, TM72
5	21295B	1	FLAP, DEFLECTOR, TM72
6	21242A	1	BAR, FLAP, TM72
7	6T1024H5	1	SPINDLE ASSY,CPLT,HD,5/8" HOLES
8	21223	1	SPROCKET, 1-1/4" BORE
9	6T2277	6	CAPSCREW,3/4" X 2",NF
10	21993	6	LOCKWASHER,3/4",GR 8
11	6T2413	6	HEX NUT,3/4",NF,GR 8
12	6T2270	10	PLOW BOLT,3/8" X 1",NC
13	22016	29	FLATWASHER,3/8"
14	21625	29	HEX NUT,3/8",NC
15	21631	11	CAPSCREW, 3/8" X 1-1/4",NC
16	21783	4	CAPSCREW, 5/8" X 2",NC
17	21992	4	LOCKWASHER, 5/8"
18	21775	4	HEX NUT, 5/8"
19	25270	8	FLATWASHER,5/8",GR 8
20	6T0822	2	SHIM, MOTOR MOUNT, 14GA. (AS NEEDED)
21	6T0822A	2	SHIM, MOTOR MOUNT, 18 GA. (AS NEEDED)
22	06504011	1	MOTOR,(M365-2 1/4" GEAR)
23	6T1029	1	CHAIN, COUPLING
24	6T1033	1	COVER, COUPLING
25	21733	4	CAPSCREW, 1/2" X 2",NC
26	21990	4	LOCKWASHER,1/2"
27	21725	4	HEX NUT, 1/2",NC
28	21632	8	CAPSCREW,3/8" X 1-1/2",NC
29	21988	8	LOCKWASHER,3/8"
30	21727	1	NYLOCK NUT,1/2",NC
31	27005	1	SPRING,PUSHOFF,SIDE RTRY
32	22018	1	FLATWASHER,1/2",WIDE
33	21745	1	CAPSCREW,1/2" X 7",NC
34	6T3211	1	GREASE ZERK

COMMON TWIN

60IN SIDE COMBO TM ROTARY MOWER



COMMON TWIN

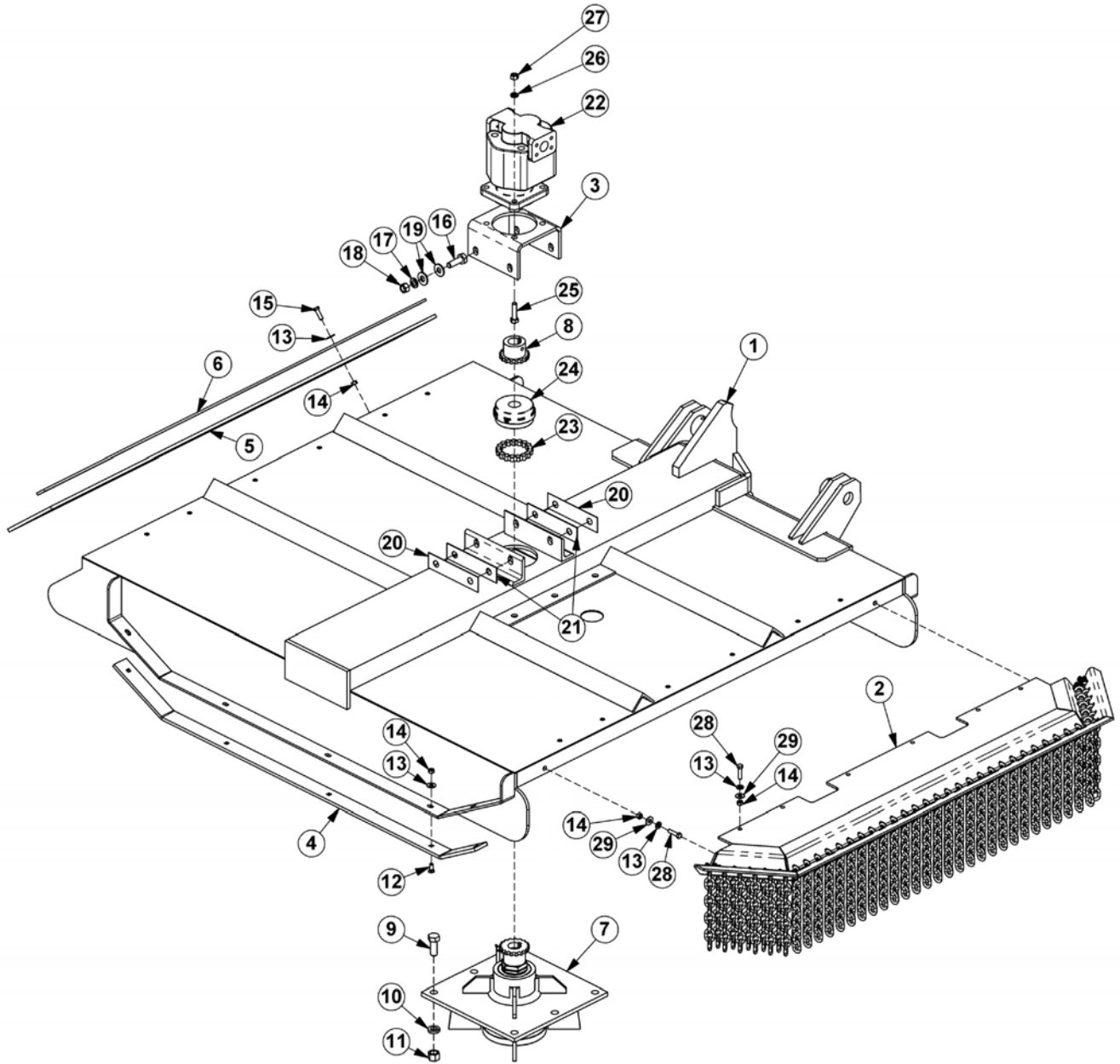
60IN SIDE COMBO TM ROTARY MOWER

Continued...

ITEM	PART NO.	QTY.	DESCRIPTION
1	30087D	1	RTRY, 60" DECK, COMBO - STD DUTY
---	32617	1	RTRY, 60" DECK, COMBO - HVY DUTY
2	31773	1	GAURD,CHAIN,FRONT,SR60
3	6T1001	1	BRKT, MOTOR MTG, 60"SIDE RTRY
4	6T0820H	2	SKID SHOE, TM60
5	22592	1	FLAP, DEFLECTOR, TM60
6	6T0823	1	BAR, FLAP, TM60
7	6T1024H5	1	SPINDLE ASSY,CPLT,HD,5/8" HOLES
8	21223	1	SPROCKET, 1-1/4" BORE
9	6T2277	6	CAPSCREW,3/4" X 2",NF
10	21993	6	LOCKWASHER,3/4",GR 8
11	6T2413	6	HEX NUT,3/4",NF,GR 8
12	6T2270	10	PLOW BOLT,3/8" X 1",NC
13	22016	29	FLATWASHER,3/8"
14	21625	29	HEX NUT,3/8",NC
15	21631	11	CAPSCREW, 3/8" X 1-1/4",NC
16	21783	4	CAPSCREW, 5/8" X 2",NC
17	21992	4	LOCKWASHER, 5/8"
18	21775	4	HEX NUT, 5/8"
19	25270	8	FLATWASHER,5/8",GR 8
20	6T0822	2	SHIM, MOTOR MOUNT, 14GA. (AS NEEDED)
21	6T0822A	2	SHIM, MOTOR MOUNT, 18 GA. (AS NEEDED)
22	06504011	1	MOTOR,(M365-2 1/4" GEAR)
23	6T1029	1	CHAIN, COUPLING
24	6T1033	1	COVER, COUPLING
25	21733	4	CAPSCREW, 1/2" X 2",NC
26	21990	4	LOCKWASHER,1/2"
27	21725	4	HEX NUT, 1/2",NC
28	21632	8	CAPSCREW,3/8" X 1-1/2",NC
29	21988	8	LOCKWASHER,3/8"

COMMON TWIN

72IN SIDE COMBO TM ROTARY MOWER



COMMON TWIN

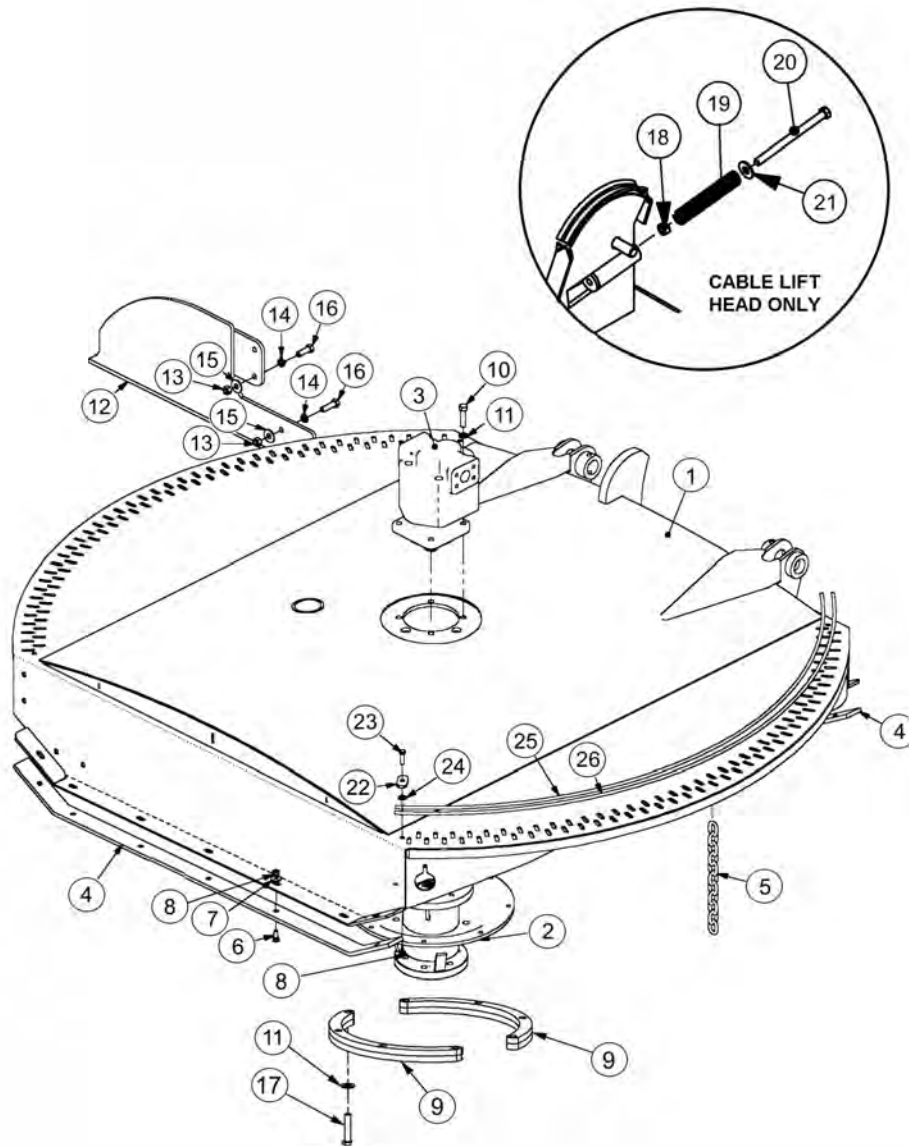
72IN SIDE COMBO TM ROTARY MOWER

Continued...

ITEM	PART NO.	QTY.	DESCRIPTION
1	34260	1	RTRY, 72" DECK, COMBO - STD DUTY
---	31408A	1	RTRY, 72" DECK, COMBO - HEAVY DUTY
2	31931	1	GUARD,CHAIN,FRONT,SR72
3	6T1001	1	BRKT, MOTOR MTG, 60"SIDE RTRY
4	21248	2	SKID SHOE, TM72
5	21295B	1	FLAP, DEFLECTOR, TM72
6	21242A	1	BAR, FLAP, TM72
7	6T1024H5	1	SPINDLE ASSY,CPLT,HD,5/8" HOLES
8	21223	1	SPROCKET, 1-1/4" BORE
9	6T2277	6	CAPSCREW,3/4" X 2",NF
10	21993	6	LOCKWASHER,3/4",GR 8
11	6T2413	6	HEX NUT,3/4",NF,GR 8
12	6T2270	10	PLOW BOLT,3/8" X 1",NC
13	22016	29	FLATWASHER,3/8"
14	21625	29	HEX NUT,3/8",NC
15	21631	11	CAPSCREW, 3/8" X 1-1/4",NC
16	21783	4	CAPSCREW, 5/8" X 2",NC
17	21992	4	LOCKWASHER, 5/8"
18	21775	4	HEX NUT, 5/8"
19	25270	8	FLATWASHER,5/8",GR 8
20	6T0822	2	SHIM, MOTOR MOUNT, 14GA. (AS NEEDED)
21	6T0822A	2	SHIM, MOTOR MOUNT, 18 GA. (AS NEEDED)
22	06504011	1	MOTOR,(M365-2 1/4" GEAR)
23	6T1029	1	CHAIN, COUPLING
24	6T1033	1	COVER, COUPLING
25	21733	4	CAPSCREW, 1/2" X 2",NC
26	21990	4	LOCKWASHER,1/2"
27	21725	4	HEX NUT, 1/2",NC
28	21632	8	CAPSCREW,3/8" X 1-1/2",NC
29	21988	8	LOCKWASHER,3/8"

COMMON TWIN

60IN SIDE TSR ROTARY MOWER



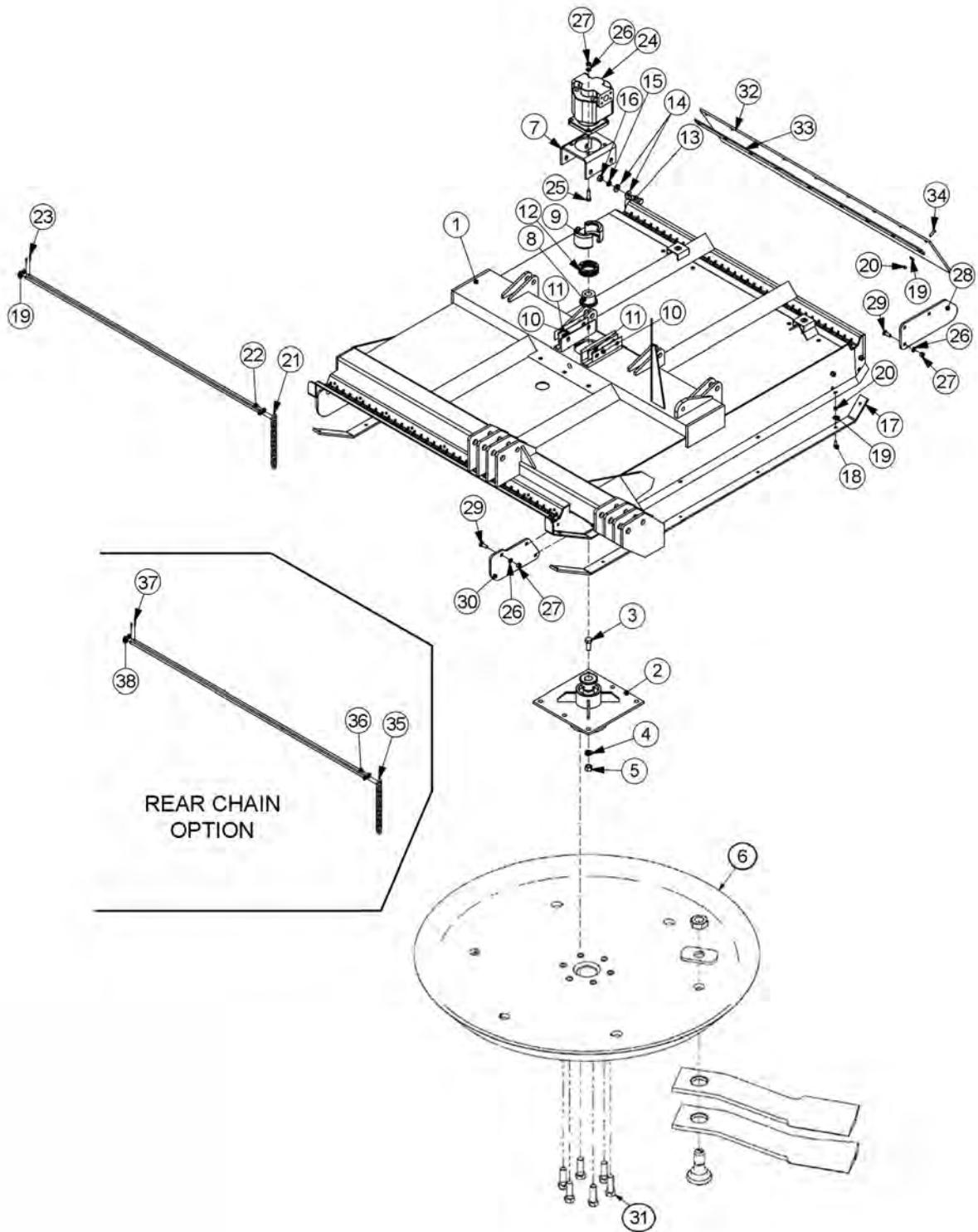
60IN SIDE TSR ROTARY MOWER

Continued...

ITEM	PART NO.	QTY.	DESCRIPTION
1	34975	1	HEAVY DUTY GRASSKAT COMBO
---	06320005	1	STD DUTY GRASSKAT COMBO
----	06320008	1	HEAVY DUTY GRASSKAT CABLE
2	34980	1	SPINDLE ASSY,TM 60"
3	06504016	1	CURRENT MOTOR,(M365-1 1/4" 14-SPLINE)
4	06410254	2	SKID,OUTBOARD,TM60
5	22992	156	CHAIN,10 LINK
6	6T2270	14	PLOW BOLT,3/8" X 1" NC
7	22016	26	FLATWASHER,3/8"
8	21625	30	HEX NUT,3/8",NC
9	06320011	2	SPACER,TSF,SPINDLE
10	6T1025	4	CAPSCREW, 1/2 X 2,GR 8,NC
11	06533006	4	FLATWASHER,1/2,SAE,GR 8
12	06370029	1	TIRE GUARD, LEFT
13	21725	8	HEX NUT, 1/2",NC
14	21990	8	LOCKWASHER, 1/2"
15	22018	8	FLATWASHER, 1/2",WIDE
16	21731	4	CAPSCREW, 1/2" X 1-1/2" NC
17	21732	4	CAPSCREW, 1/2" X 1-3/4" NC
18	21745	1	NYLOCK NUT, 1/2
19	21727	1	SPRING, PUSHOFF, SIDE RTRY
20	27005	1	CAPSCREW, 1/2 X 7,NC
21	22018	1	FLATWASHER,1/2",WIDE
22	34972	4	PLATE,CAP,CHAIN
23	21631	16	CAPSCREW, 3/8 X 1-1/4,NC
24	21988	16	LOCKWASHER, 3/8"
25	34974	2	ROD,CHAIN,INNER,TM60
26	34973	2	ROD,CHAIN,OUTER,TM60

COMMON TWIN

60IN REAR TM ROTARY MOWER



COMMON TWIN

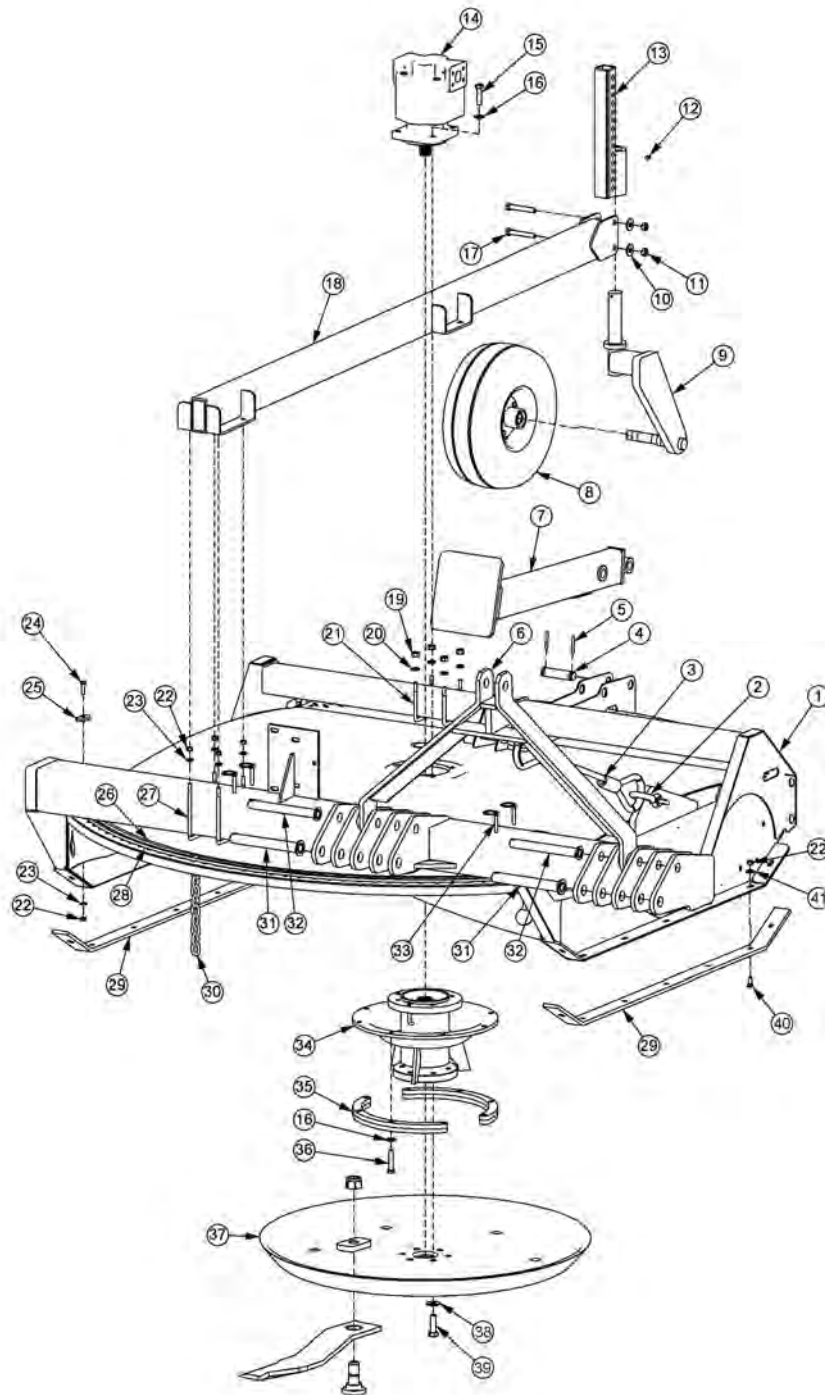
60IN REAR TM ROTARY MOWER

Continued...

ITEM	PART NO.	QTY.	DESCRIPTION
---	23003	-	REAR RTRY, 60" W/REAR CHAINS
1	32616	1	RTRY, 60" DECK, TRR
2	6T1024H5	1	SPINDLE ASSY,CPLT,HD,5/8 HOLES
3	6T2277	6	CAPSCREW, 3/4" X 2" NF
4	21993	6	LOCKWASHER,3/4",GR 8
5	6T2413	6	HEX NUT,3/4",NF,GR 8
6	-----	-	DISK *REFER TO DISK & KNIVES PAGE
7	6T1001	1	BRKT, MOTOR MTG, 60"
8	21223	1	SPROKET, 1-1/4" BORE
9	6T1033	1	COVER, COUPLING
10	6T0822	2	SHIM, MOTOR MOUNT, 14GA. (AS NEEDED)
11	6T0822A	2	SHIM, MOTOR MOUNT, 18 GA. (AS NEEDED)
12	6T1029	1	CHAIN, COUPLING
13	21783	4	CAPSCREW, 5/8" X 2",NC
14	25270	8	FLATWASHER,5/8", GR 8
15	21992	10	LOCKWASHER, 5/8"
16	21775	4	HEX NUT, 5/8"
17	23160A	2	SKID SHOE
18	6T2270	12	PLOW BOLT,3/8" X 1" NC
19	22016	21	FLATWASHER,3/8"
20	21625	21	HEX NUT,3/8",NC
21	22993	71	CHAIN, 5/16" GR30, 9 LINK
22	22054	2	ROD, CHAIN HOLDER
23	6T3028	2	COTTER PIN, 1/8" X 1"
24	06504011	1	MOTOR, (M365 - 2" GEAR)
25	21733	4	CAPSCREW, 1/2" X 2",NC
26	21990	16	LOCKWASHER, 1/2"
27	21725	16	HEX NUT, 1/2" NC
28	33656	2	PLATE,GUARD,SAFETY,REAR,RTRY
29	6T2267	12	CARRIAGE BOLT, 1/2" X 2" NF, GR8
30	33655	2	PLATE,GAURD,SAFETY,FRONT, RTRY
31	6T2290	6	CAPSCREW,5/8" X 2",NF GR 8
32	24347	1	REAR DEFLECTOR FLAP
33	24349	1	FLAP MOUNTING BAR
34	21631	9	CAPSCREW, 3/8" X 1-1/4" NC
35	22992	71	CHAIN, 5/16" GR30, 10 LINK
36	22054	2	ROD, CHAIN HOLDER
37	6T3028	2	COTTER PIN, 1/8" X 1"
38	22016	2	FLATWASHER,3/8"

COMMON TWIN

60IN REAR TSR ROTARY MOWER



ITEM	PART NO.	QTY.	DESCRIPTION
---	06741023	-	60IN TSR REAR MOWER ASSY
1	06320002	1	TRAILKAT®,60,WLDMNT
2	6T0112	2	SHACKLE,W/PIN,CPLT
3	22051	1	CABLE,LIFT,TRR,60

COMMON TWIN

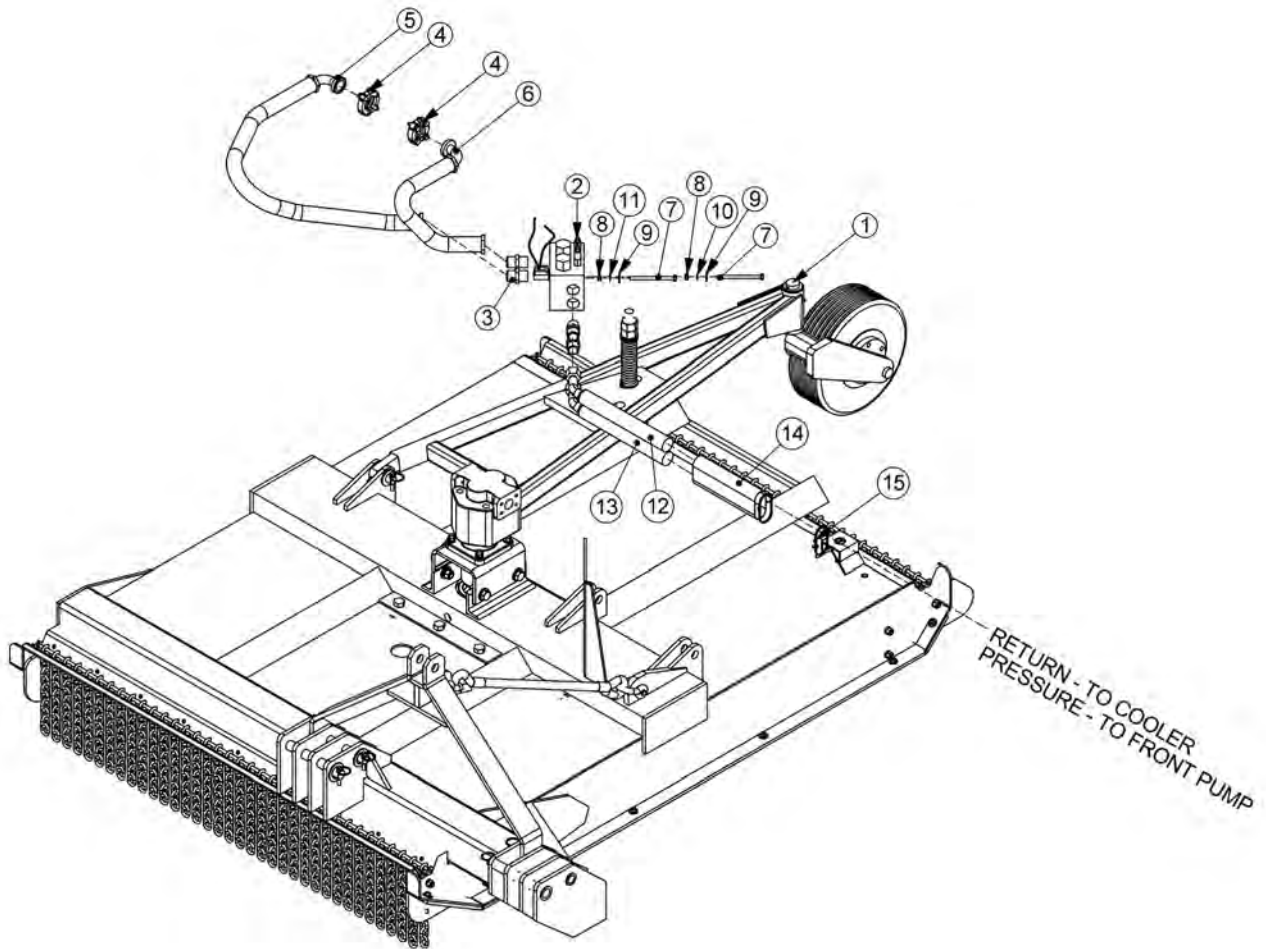
60IN REAR TSR ROTARY MOWER

Continued...

ITEM	PART NO.	QTY.	DESCRIPTION
4	06520425	2	PIN
5	06537021	4	ROLLPIN,5MM X 50MM,SS
6	21474A	1	HITCH,3PT,TRR
7	28511	1	STAND,SAFETY SUPPORT W/PAD
8	23329	1	CASTER WHL,SOLID TIRE W/SPIND
9	22057	1	SPINDLE,CASTER AXLE,ASSY
10	22018	2	FLATWASHER,1/2,WIDE
11	21725	2	HEX NUT,1/2,NC
12	6T3211	1	GREASE ZERK,1/8
13	06370003	1	CASTER ADJ,TRAILKAT
14	06504016	1	MOTOR,M365-1 1/4",SPLINE,SEALED
15	6T1025	4	CAPSCREW,1/2 X 2,NC,GR8
16	06533004	12	FLATWASHER,1/2,SAE,GR8
17	21738	2	CAPSCREW,1/2 X 3-1/4,NC
18	06370004	1	CASTER MNT,TRAILKAT
19	21700	4	HEX NUT,1/2,NF
20	21990	4	LOCKWASHER,1/2
21	06420003	2	U-BOLT,.50 X 3.25 X 5.00
22	21625	20	HEX NUT,3/8,NC
23	21988	6	LOCKWASHER,3/8
24	21631	2	CAPSCREW,3/8 X 1-1/4,NC,GR8
25	34972	2	PLATE,CAP,CHAIN
26	34974	1	ROD,CHAIN,INNER,TM60
27	06420005	2	U-BOLT,.38 X 5.63 X 6.31
28	34973	1	ROD,CHAIN,OUTER,TM60
29	06410254	2	SKID SHOE,TSR
30	22992	78	CHAIN,10 LINK
31	33698	2	PIN,1.13 X 9.00
32	33699	2	PIN,1 X 8.88
33	TF1143	4	LYNCH PIN
34	34980	1	SPINDLE ASSY,TM60
35	06320011	2	SPACER,TSR,SPINDLE
36	06530221	8	CAPSCREW,1/2 X 2-1/4,NF,GR8
37	-----	-	DISK *REFER TO DISK & KNIVES PAGE
38	25270	6	FLATWASHER,5/8",USS,GR8
39	6T2290	6	CAPSCREW,5/8" X 2",NF,GR8
40	6T2270	14	PLOW BOLT,3/8" X 1",NC
41	22016	14	FLATWASHER,3/8",GR8

COMMON TWIN

REAR ROTARY HYDRAULICS



REAR ROTARY HYDRAULICS

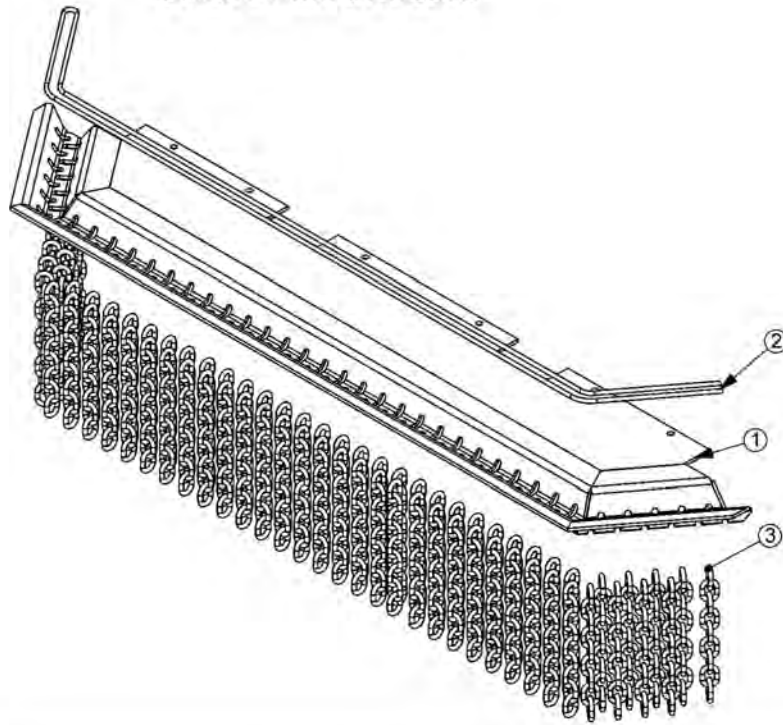
Continued...

ITEM	PART NO.	QTY.	DESCRIPTION
1	-----	-	REAR ROTARY MOWER
2	06510083	1	VALVE,BRAKE,SOL,3000PSI,METRI
3	33555	4	ADAPTER,1MORB X 1MJIC (3 FOR TSR)
---	33554	1	ELBOW,1MORB X 1MJIC,45 (TSR PRESSURE TO MOTOR)
4	TF4852	2	KIT, FLANGE, #20
5	34198	1	HOSE, 1" X 40" (TM MOWER RETURN)
---	06500087	-	HOSE, 1" X 42" (TSR MOWER RETURN)
6	34197	1	HOSE, 1" X 33" (TM MOWER PRESSURE)
---	06500086	-	HOSE, 1" X 24" (TSR MOWER PRESSURE)
7	21644	2	CAPSCREW,3/8" X 5" NC
8	21625	2	HEX NUT,3/8",NC
9	22016	2	FLATWASHER,3/8"
10	21988	1	LOCKWASHER, 3/8"
11	6T2665	1	STAR LOCKWASHER, 3/8"
12	-----	1	HOSE (RETURN)
13	-----	1	HOSE (PRESSURE)
14	33930	1	HOSE SLEEVE, TRR
15	6T1823	2	ZIP TIE, 14" STRAPS

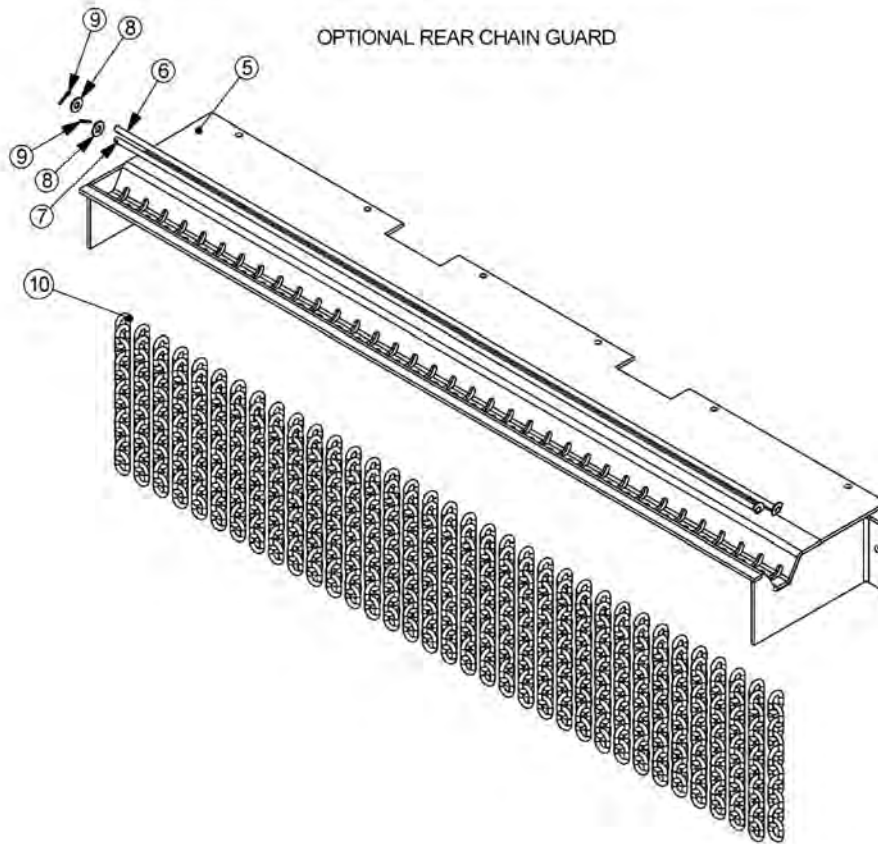
COMMON TWIN

60IN SIDE TM CHAIN GUARDS

STANDARD FRONT CHAIN GUARD



OPTIONAL REAR CHAIN GUARD



60IN SIDE TM CHAIN GUARDS

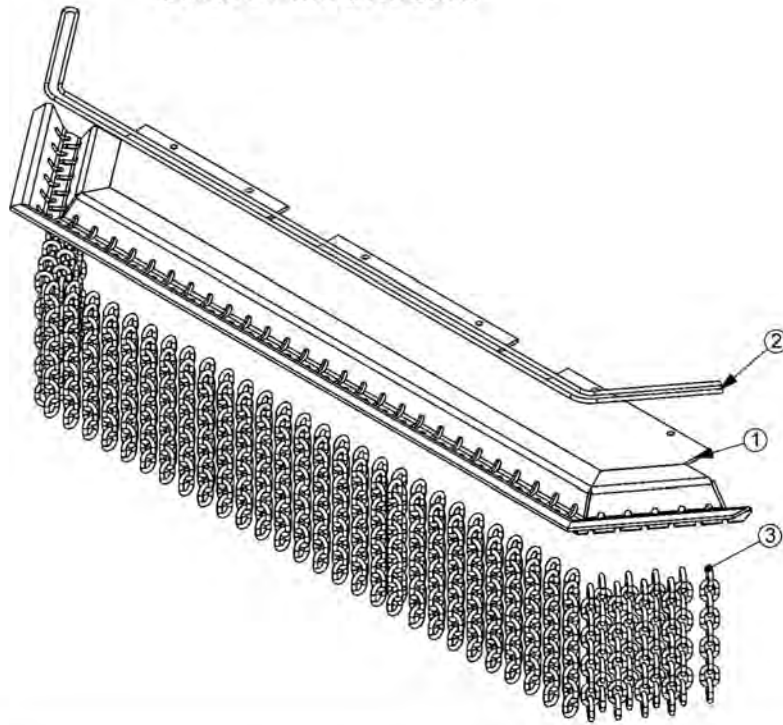
Continued...

ITEM	PART NO.	QTY.	DESCRIPTION
---	31773	-	GUARD,CHAIN,TM60,FRONT,ASSY
1	31762	1	GUARD,CHAIN,TM60,FRONT
2	28407	12	CABLE,5/16",BULK (QTY IN FEET)
3	22993	77	CHAIN,5/16",GR30,9 LINK
4	28408	4	U-BOLT,CABLE,5/16" (NOT SHOWN)
---	31774	-	GUARD,CHAIN,TM60,REAR,ASSY
5	31763	1	GUARD,CHAIN,TM60,REAR
6	31879	1	ROD,SHORT,TM60
7	31878	1	ROD,LONG,TM60
8	22016	2	FLATWASHER,3/8",GR8
9	6T3028	2	COTTER PIN,1/8" X 1"
10	22992	69	CHAIN,5/16",GR30,10 LINK

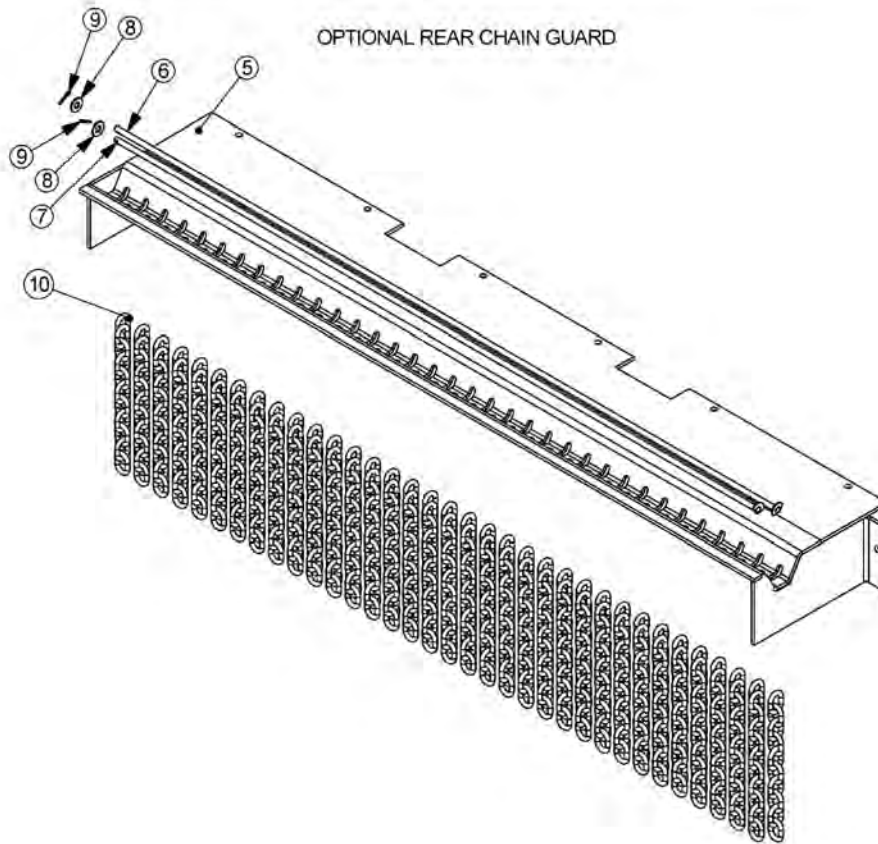
COMMON TWIN

72IN SIDE TM CHAIN GUARDS

STANDARD FRONT CHAIN GUARD



OPTIONAL REAR CHAIN GUARD



72IN SIDE TM CHAIN GUARDS

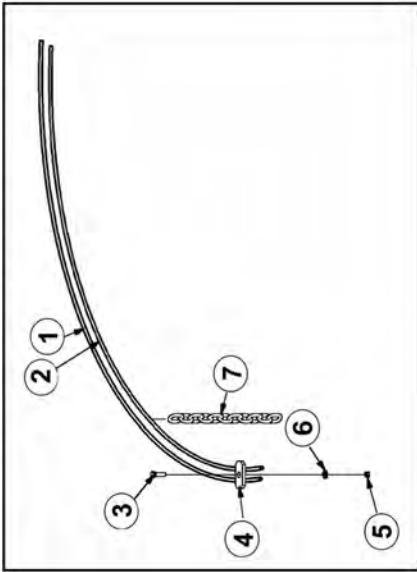
Continued...

ITEM	PART NO.	QTY.	DESCRIPTION
---	31931	-	GUARD,CHAIN,TM72,FRONT,ASSY
1	31863	1	GUARD,CHAIN,TM72,FRONT
2	28407	14	CABLE,5/16",BULK (QTY IN FEET)
3	22993	91	CHAIN,5/16",GR30,9 LINK
4	28408	4	U-BOLT,CABLE,5/16" (NOT SHOWN)
---	31932	-	GUARD,CHAIN,TM60,REAR,ASSY
5	31864	1	GUARD,CHAIN,TM60,REAR
6	31934	1	ROD,LONG,TM72
7	31933	1	ROD,SHORT,TM72
8	22016	2	FLATWASHER,3/8",GR8
9	6T3028	2	COTTER PIN,1/8" X 1"
10	22992	83	CHAIN,5/16",GR30,10 LINK

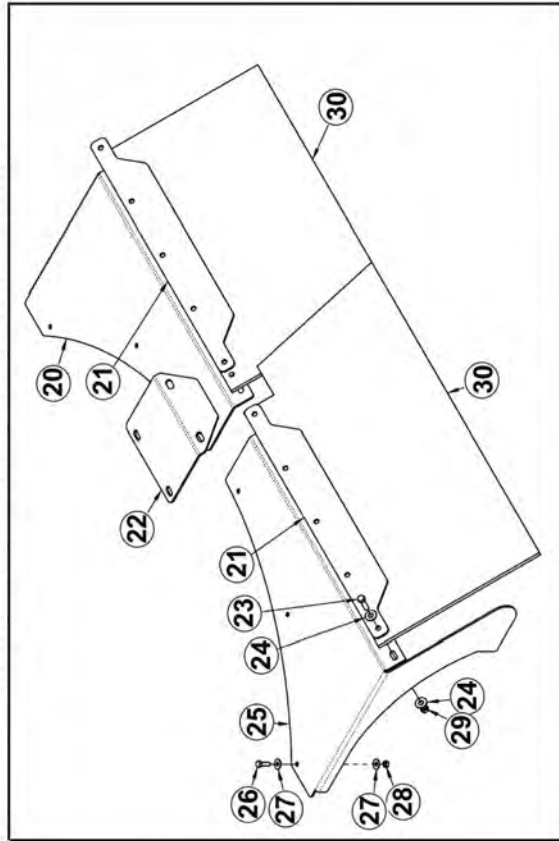
COMMON TWIN

60IN TSR REAR GUARDS

OPTIONAL REAR CHAIN GUARD



STANDARD SQUARE REAR FLAP GUARD



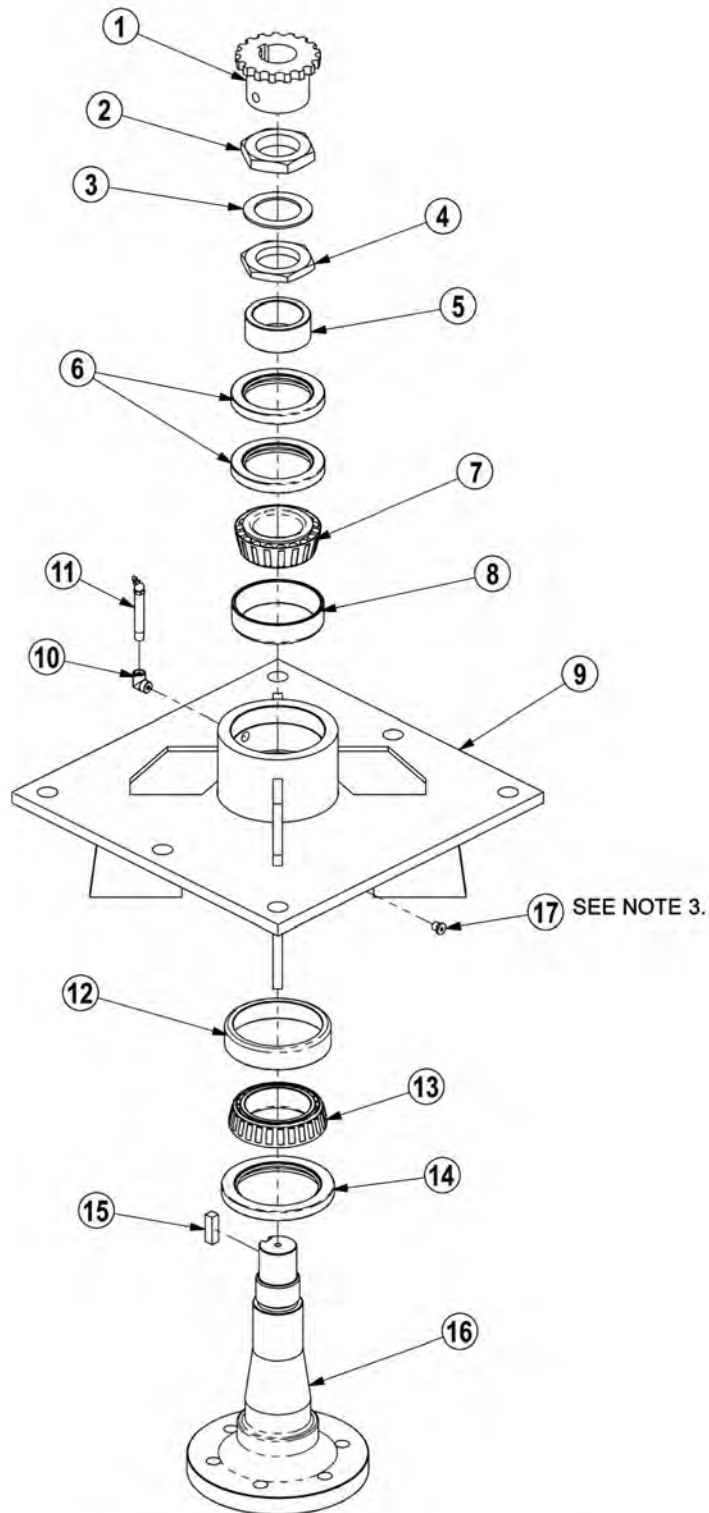
60IN TSR REAR GUARDS

Continued...

ITEM	PART NO.	QTY.	DESCRIPTION
1	34973	2	ROD,CHAIN,OUTER,TM60
2	34974	2	ROD,CHAIN,INNER,TM60
3	21631	16	CAPSCREW, 3/8 X 1-1/4,NC
4	34972	4	PLATE,CAP,CHAIN
5	21625	30	HEX NUT,3/8",NC
6	21988	16	LOCKWASHER, 3/8"
7	22992	156	CHAIN,10 LINK
20	06410947	1	MNT,FLAP,RH,EXT,TSR
21	06401184	2	STRAP,FLAP,EXT,TSR
22	06410948	1	COVER,FLAP,EXT,TSR
23	21632	10	CAPSCREW,3/8" X 1-1/2" NC
24	22016	20	FLATWASHER,3/8",GR8
25	06410946	1	MNT,FLAP,LH,EXT,TSR
26	21580	6	CAPSCREW,5/16 X 1 NC
27	22015	12	FLATWASHER,5/16
28	21577	6	NYLOCK NUT, 5/16,NC
29	21625	10	HEX NUT,3/8",NC
30	06520331	2	FLAP,EXT,TSR

COMMON TWIN

TM MOWER SPINDLE ASSEMBLY



NOTES:

1. FREEPLAY: .001" - .003"
2. GREASE: FILL WITH MOBILITH SHC 220.
3. APPLY LOCTITE "271" TO O-RING PLUG THRDS.

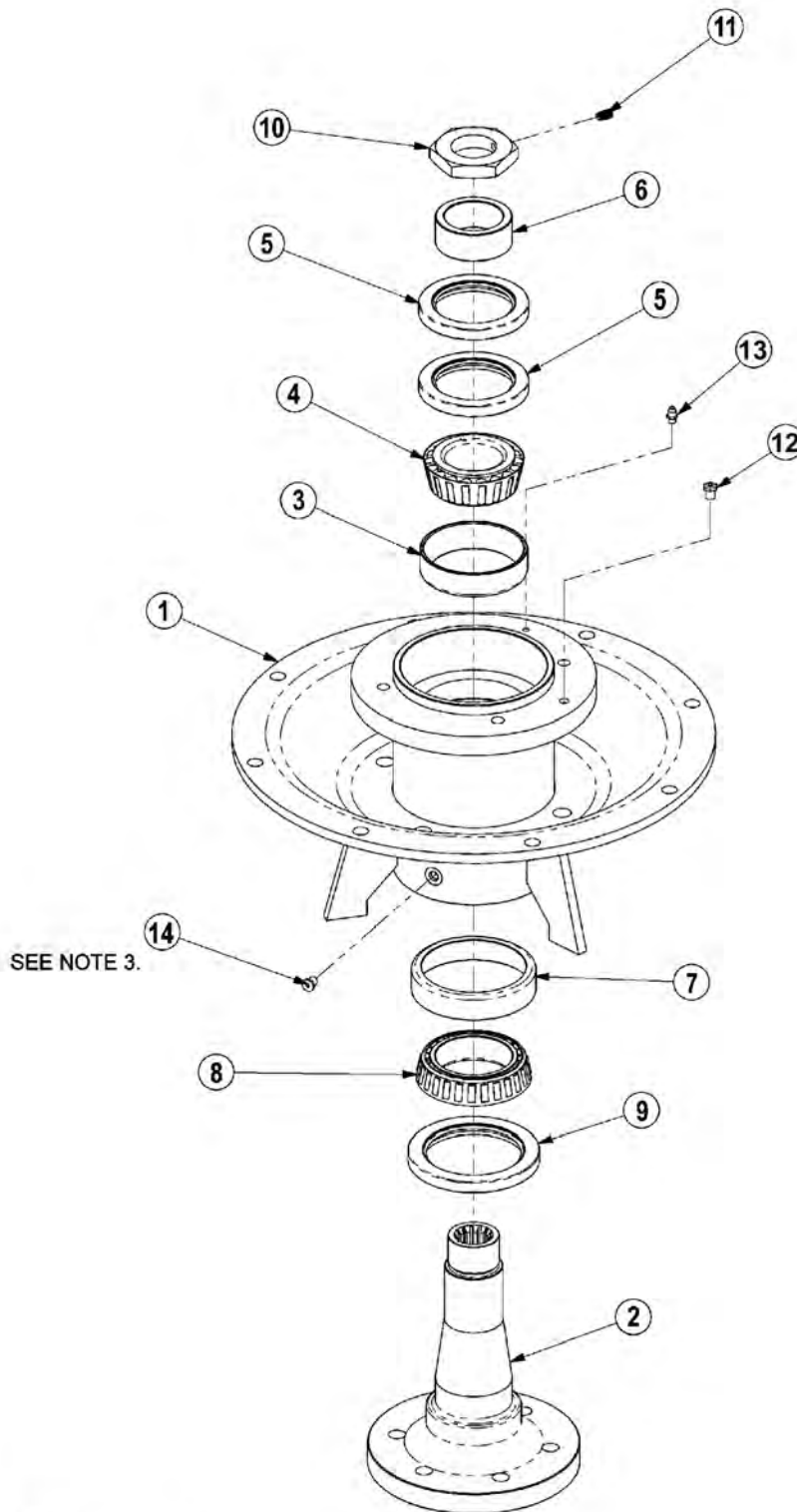
TM MOWER SPINDLE ASSEMBLY

Continued...

ITEM	PART NO.	QTY.	DESCRIPTION
---	6T1024H5	-	SPINDLE ASSEMBLY COMPLETE
1	6T1031	1	SPROCKET
2	6T1016	1	BEARING LOCK NUT - THICK
3	22596	1	JAM WASHER
4	6T1015	1	BEARING ADJUSTMENT NUT - THIN
5	6T1014	1	BEARING ADJUSTMENT SLEEVE
6	6T1011	1	UPPER SEAL - SET OF 2
7	6T1012	1	BEARING CONE
8	6T1013	1	BEARING CUP
9	6T1010H	1	SPINDLE HOUSING
10	30570	1	FITTING STREET ELBOW
11	33990	1	GREASE ZERK
12	6T1013H	1	BEARING CUP
13	6T1012H	1	BEARING CONE
14	6T1011H	1	LOWER SEAL
15	6T1019	1	SPINDLE KEY
16	PT1018H-5	1	SPINDLE
17	06503064	1	O-RING PLUG, 1/8"
---	31771	-	SPINDLE REBUILD KIT (INCLUDES ITEMS 2 - 8 AND 12 - 15)

COMMON TWIN

TSR MOWER SPINDLE ASSEMBLY



NOTES:

- 1. FREEPLAY: .001" - .003"
- 2. GREASE: FILL WITH MOBILITH SHC 220.
- 3. APPLY LOCTITE "271" TO O-RING PLUG THRDS.

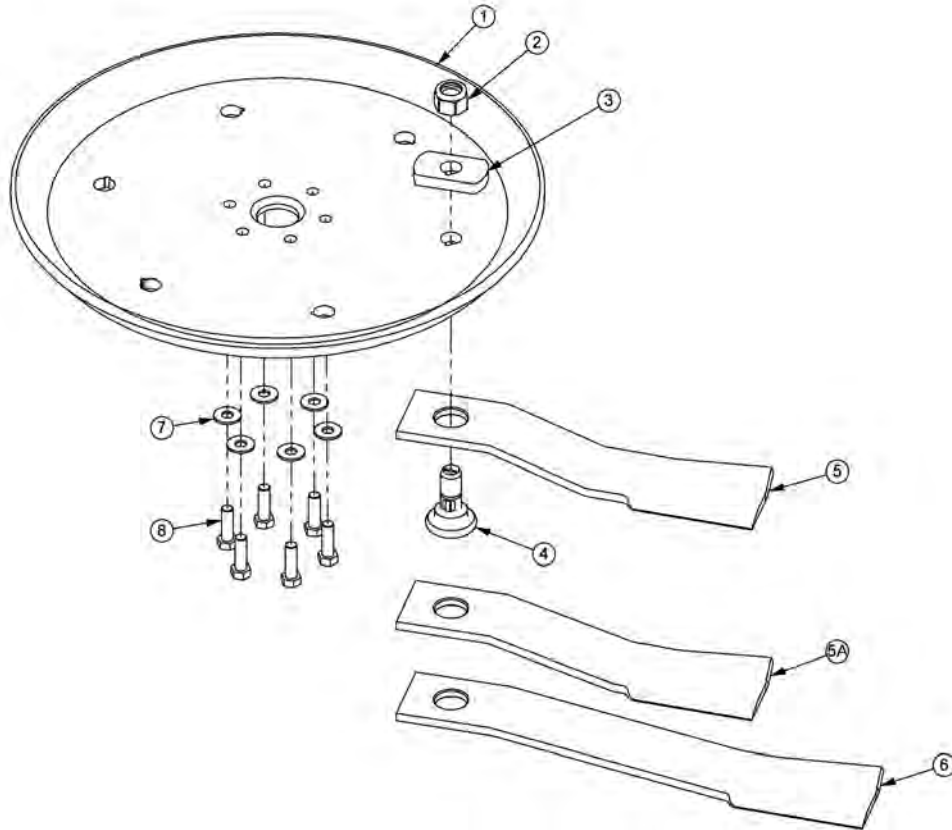
TSR MOWER SPINDLE ASSEMBLY

Continued...

ITEM	PART NO.	QTY.	DESCRIPTION
---	34980	-	SPINDLE ASSEMBLY COMPLETE
1	34978	1	SPINDLE MOUNT
2	34979	1	SPINDLE,TM60
3	6T1013	1	BEARING CUP
4	6T1012	1	BEARING CONE
5	6T1011	1	UPPER SEAL - SET OF 2
6	6T1014	1	BEARING ADJUSTMENT SLEEVE
7	6T1013H	1	BEARING,CUP,HD
8	6T1012H	1	BEARING CONE,HD
9	6T1011H	1	SEAL,LOWER,HD
10	34985	1	NUT W/SETSCREW
11	6T2275	1	SETSCREW,5/16" X 1/2",NC
12	34988	1	RELIEF,1PSI,1/8" NPT
13	6T3207	1	ZERK,1/4" X STR
14	06503064	1	O-RING PLUG, 1/8"

COMMON TWIN

ROTARY DISK AND KNIVES



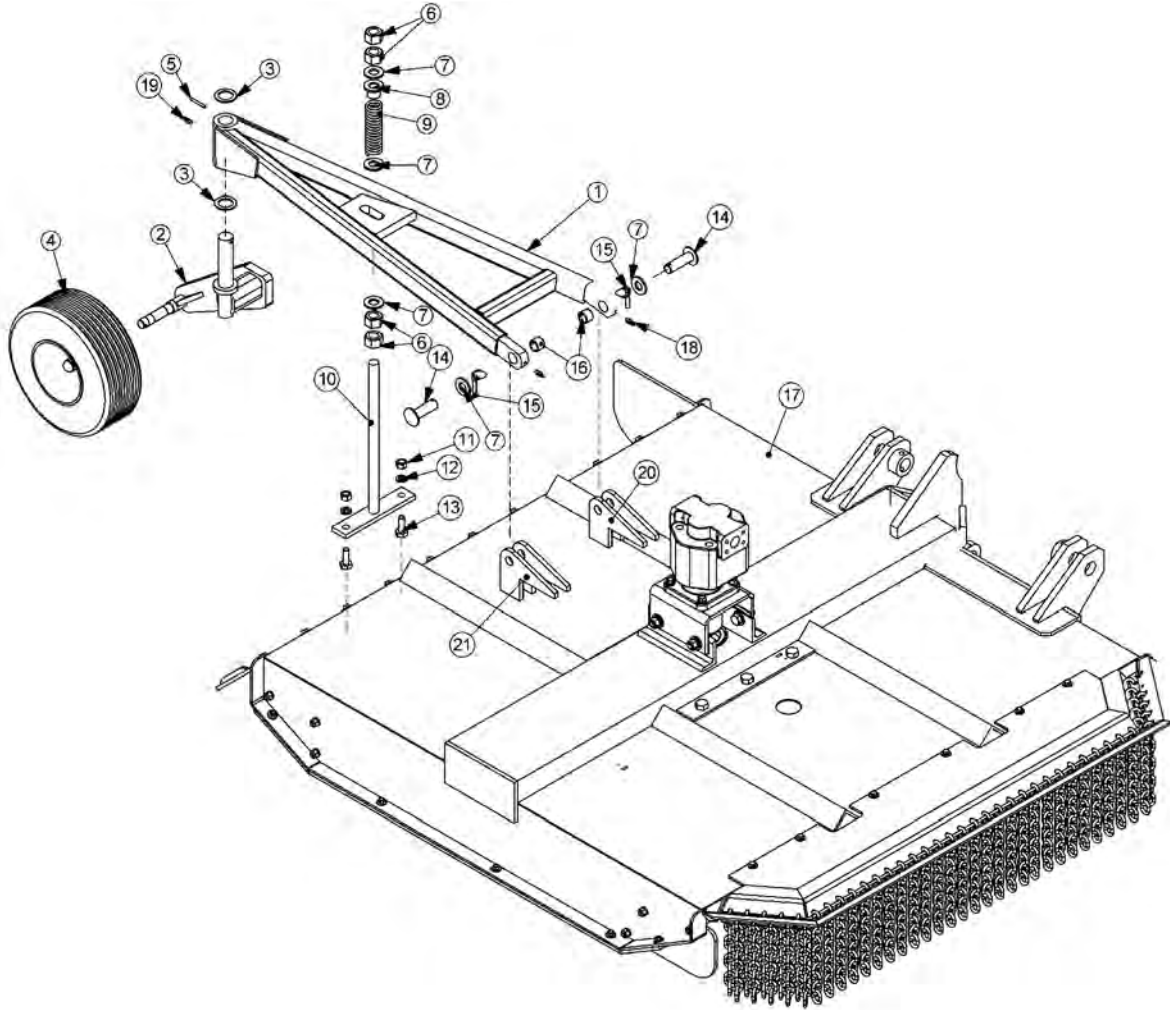
ITEM	PART NO.	QTY.	DESCRIPTION
1	34876	1	BLADE MOUNTING DISK
2	6T1023R	2	NYLOCK NUT,1-1/8"
3	34878	2	SPACER
4	34497	2	KNIFE MOUNTING BOLT
5	34685	2	KNIFE,60" HIGH SUCTION - STANDARD
5A	34684	2	KNIFE,60" - OPTIONAL
6	34682	2	KNIFE 72" (MOUNT ON 72" MOWER ONLY)
7	25270	6	FLATWASHER,5/8",USS,GR8
8	6T2259	6	CAPSCREW,5/8" X 1-3/4",NF
----	6T1825	-	LOCTITE - USED ON ALL DISK MOUNTING BOLTS
---	27167	-	BOLT KIT (INCLUDE ITEMS 7 & 8)
----	06700002	-	KIT,60/72,DISK,KNF MTG (INCLUDE ITEM 1, 3,7 & 8)

COMMON TWIN

NOTES

NOTES

SIDE ROTARY CASTER WHEEL ASSEMBLY



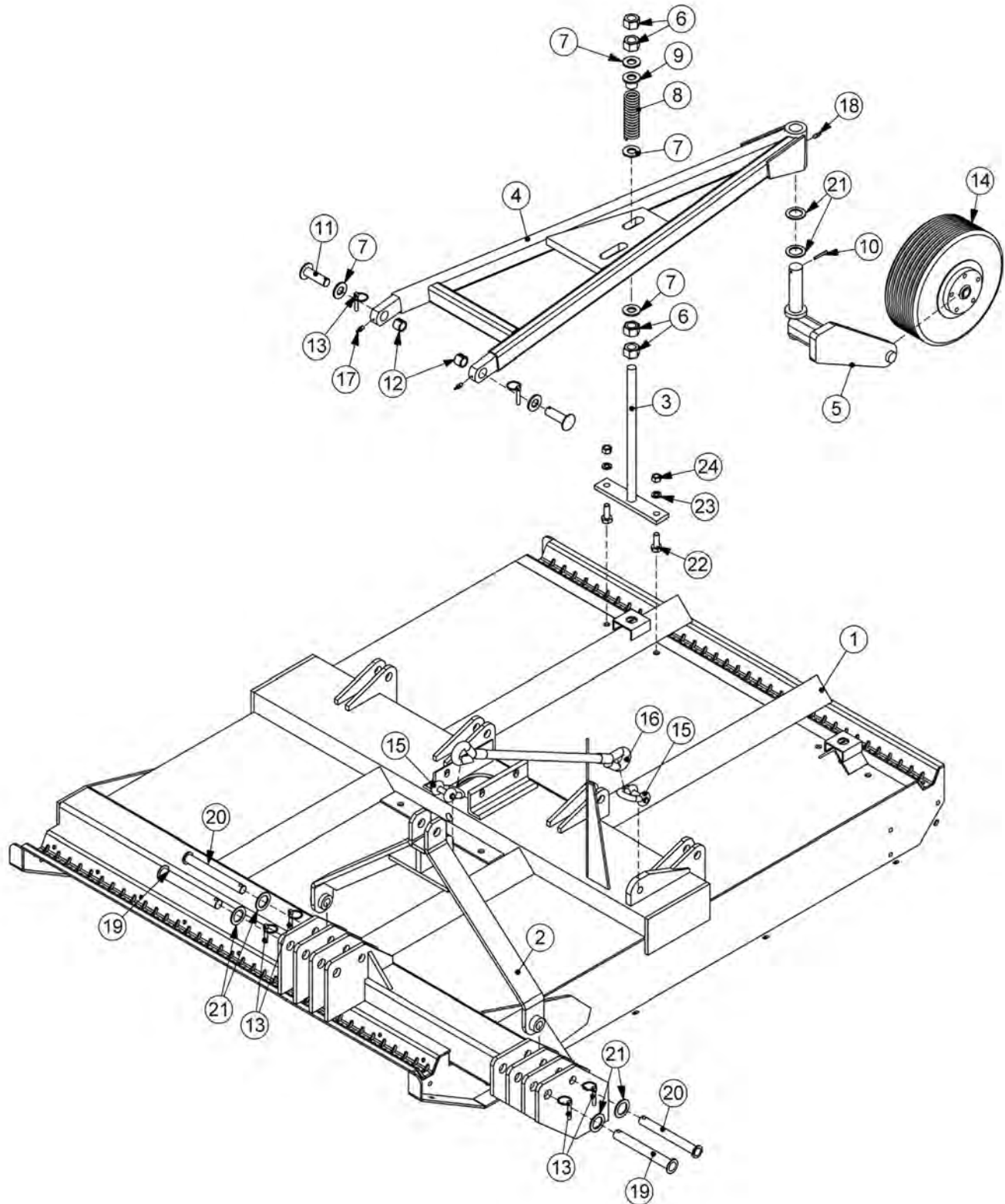
SIDE ROTARY CASTER WHEEL ASSEMBLY

Continued...

ITEM	PART NO.	QTY.	DESCRIPTION
1	25214C	1	FRAME,CASTER,WHL (TM60)
---	28297A	-	FRAME,CASTER WHL (TM72)
2	22057	1	SPINDLE,CASTER AXLE,ASSY
3	6T2617	2	BUSHING,MACH,1-1/2IDX 2-1/4OD
4	28548	1	CASTER WHEEL,SOLID TIRE
---	22065	1	HUB,ASSY,CASTER
----	22066	1	HUB,CASTER
---	22070	1	DUST CAP
----	22071	5	HUB STUD
---	22073	1	HEX NUT,1",NF (SLOTTED)
----	22533	1	COTTER PIN,3/16" X 2"
---	6T0830	2	BEARING,CONE,CASTER WHEEL
----	6T0838	1	SEAL
---	23329	1	WHEEL,CPLT,SOLID TIRE
----	21416	1	TIRE,SOLID
---	22697	1	RIM,OUTER
----	22696	1	RIM,CASTER
5	6T3014	1	ROLL PIN,1/4" X 2"
6	21925	4	HEX NUT,1",NC
7	22023	5	FLATWASHER,1"
8	22753	1	TUBE,PROTECTOR
9	22058	1	SPRING,REAR RTRY
10	22059B	1	ADJ ROD,TRR
11	21775	2	HEX NUT,5/8"
12	21992	2	LOCKWASHER,5/8"
13	21782	2	CAPSCREW,5/8" X 1-3/4",NC
14	22060	2	CASTER FRAME PIN
15	TF1143	2	PIN,LYNCH,7/16" X 2"
16	TB3010	2	BUSHING,1"
17	-----	1	RTRY,CPLT,TM
18	6T3207	2	GREASE ZERK,1/4" X STR
19	6T3211	1	GREASE ZERK,1/8" X STR
20	21441	2	CASTER FRAME ANCHOR (TM60)
---	42527	2	CASTER FRAME ANCHOR (TM72)
21	21442	2	CASTER FRAME ANCHOR (TM60)
---	42527	2	CASTER FRAME ANCHOR (TM72)

COMMON TWIN

60IN TM REAR CASTER WHEEL & 3PT ASSY



COMMON TWIN

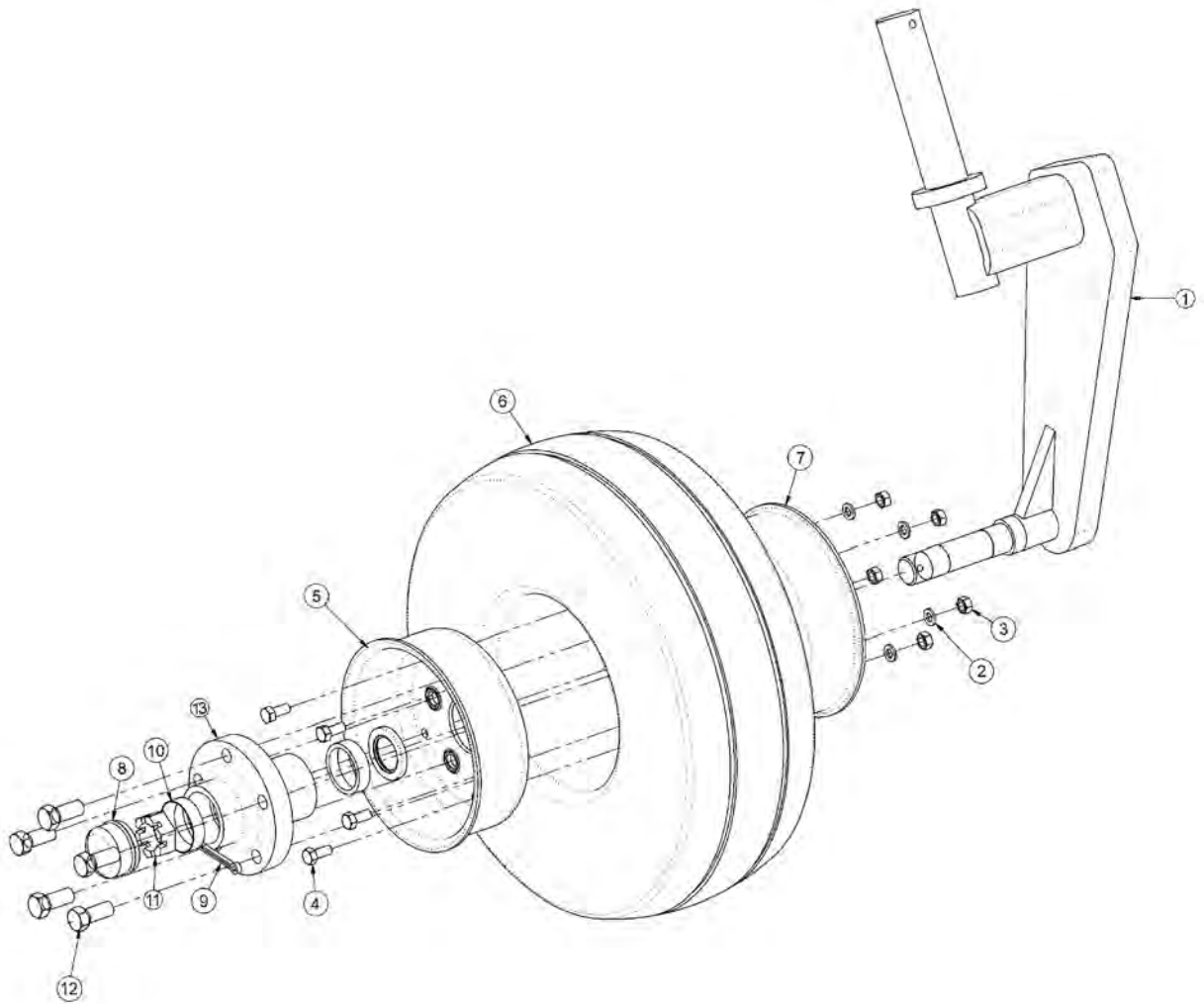
60IN TM REAR CASTER WHEEL & 3PT ASSY

Continued...

ITEM	PART NO.	QTY.	DESCRIPTION
1	-----	-	MOWER,REAR,60IN,TM
2	21474A	1	HITCH, 3PT, TRR
3	22059B	1	ADJ ROD, TRR
4	25095A	1	FRAME, CASTER WHEEL, TRR 60"
5	22057	1	SPINDLE, CASTER AXLE, ASSY
6	21925	4	HEX NUT,1" NC
7	22023	5	FLATWASHER,1"
8	22058	1	SPRING, REAR RTRY
9	22753	1	TUBE, PROTECTOR
10	6T3014	1	ROLL PIN, 1/4" X 2"
11	22060	2	CASTER FRAME PIN
12	TB3010	2	BUSHING,1"
13	TF1143	6	PIN, LYNCH, 7/16" X 2"
14	28548	1	CASTER WHEEL, SOLID TIRE
15	6T0112	2	SHACKLE, W/PIN, CPLT
16	22051	1	CABLE, LIFT, TRR, 60"
17	6T3207	2	GREASE ZERK,1/4" X STR
18	6T3211	1	GREASE ZERK,1/8" X STR
19	33698	2	PIN, CAPPED, 1-1/8" X 9"
20	33699	2	PIN, CAPPED, 1" X 9"
21	6T2617	6	BUSHING,MACH,1-1/2IDX 2-1/4OD
22	21782	2	CAPSCREW, 5/8 X 1 3/4,NC
23	21992	2	LOCKWASHER, 5/8
24	21775	2	HEX NUT, 5/8

COMMON TWIN

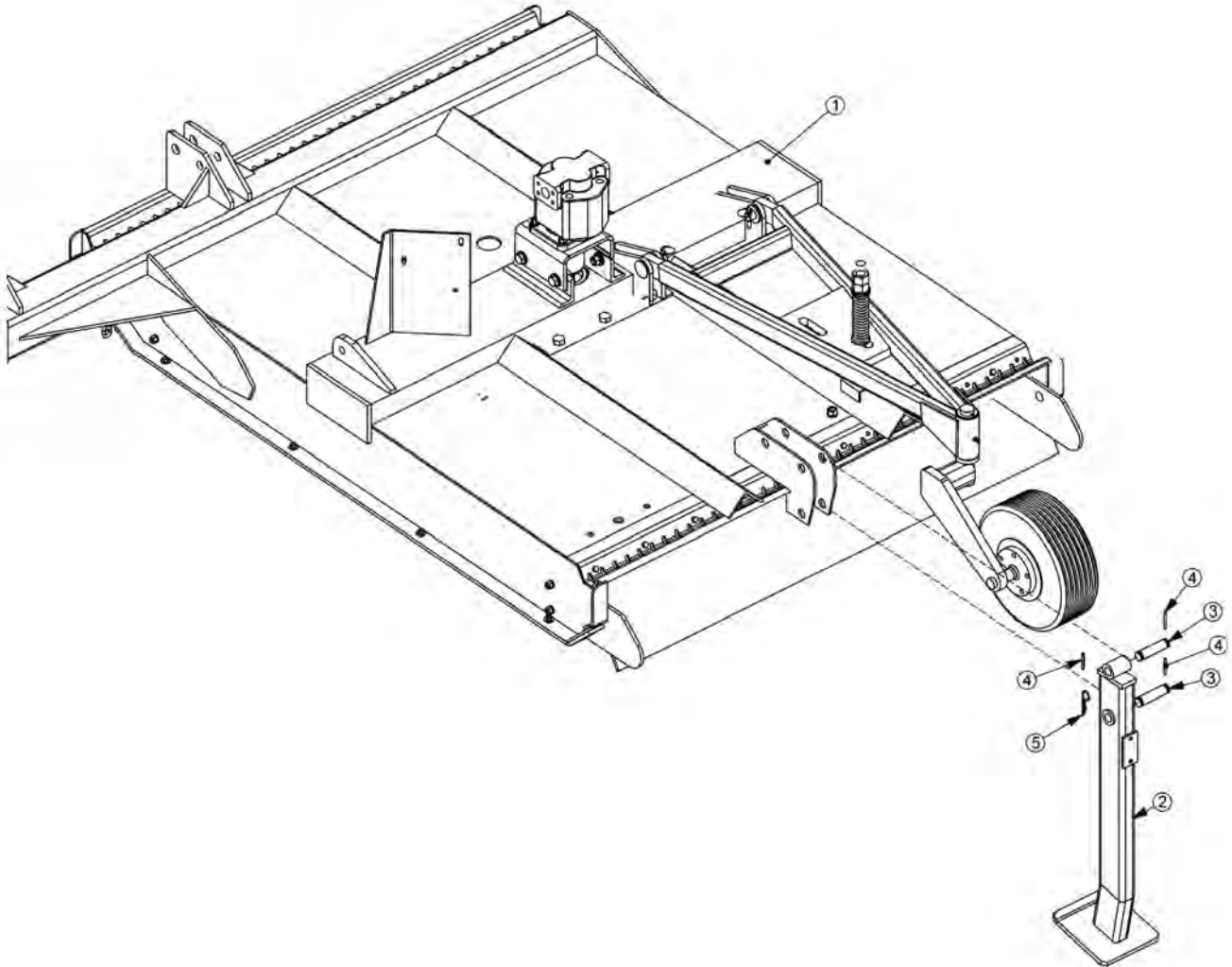
CASTER WHEEL ASSEMBLY



ITEM	PART NO.	QTY.	DESCRIPTION
1	22057	1	SPINDLE,CASTER AXLE,ASSY
2	21987	5	LOCKWASHER,5/16"
3	21575	5	HEX NUT,5/16"
4	28548	5	CAPSCREW,5/16" X 3/4",NC
5	22697	1	RIM,OUTER,CASTER ASSY
6	21416	1	TIRE,SOLID
7	22696	1	RIM,CASTER WHEEL
8	22070	1	DUST CAP
9	22533	1	COTTER PIN,3/16" X 2"
10	6T0836	2	CUP,CASTER WHEEL
11	22073	1	HEX NUT,1",NF (SLOTTED JAM NUT)
12	22071	5	HUB STUD
13	22066	1	HUB,CASTER WHEEL

COMMON TWIN

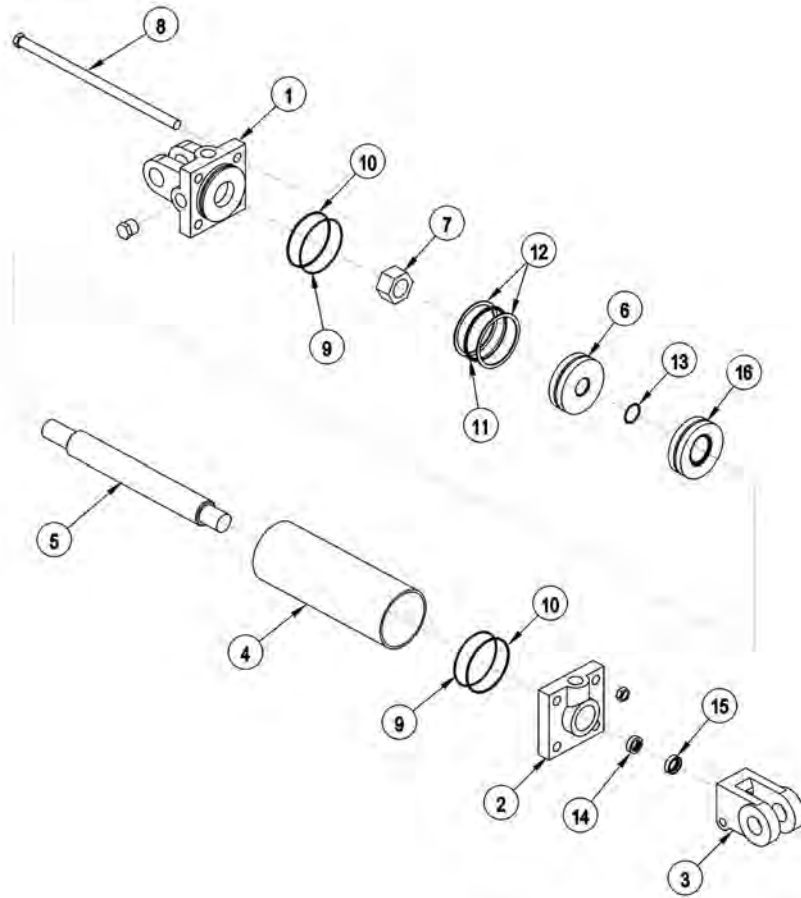
SAFETY STAND



ITEM	PART NO.	QTY.	DESCRIPTION
1	-----	-	REAR RTRY - REFER TO REAR RTRY DECK ASSY
2	28511	1	REAR RTRY STAND
3	06520425	2	PIN
4	6T3014	3	ROLL PIN, 1/4" X 2"
5	6T3004	1	R-CLIP (HAIRPIN COTTER, 3/16")

COMMON TWIN

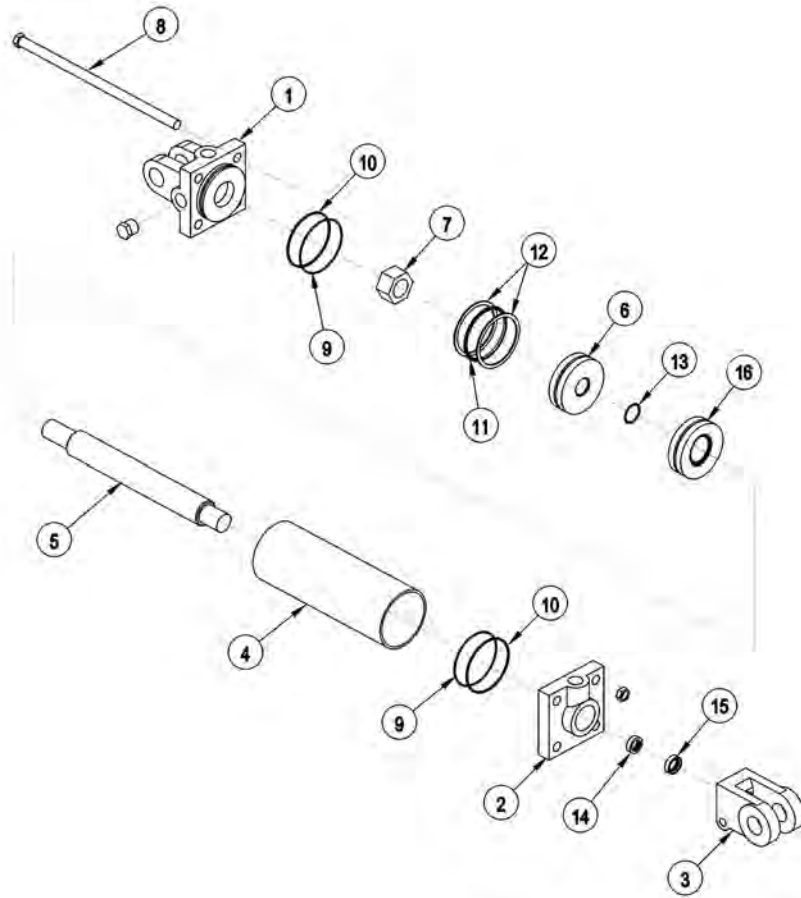
3IN X 10IN HYDRAULIC CYLINDER BREAKDOWN



ITEM	PART NO.	QTY.	DESCRIPTION
---	6T0151R	-	HYD. CYLINDER 3" X 10"
1	6T0167	1	CYLINDER BUTT
2	6T0170	1	CYLINDER GLAND
3	6T0178	1	CLEVIS END
4	6T0164	1	CYLINDER TUBE
5	6T0161	1	PISTON ROD
6	6T0173	1	PISTON
7	6T0179	1	LOCKNUT
8	6T0176	4	TIE ROD ASY
---	6T0187	-	SEAL KIT
9	-----	2	O - RING
10	-----	2	BACK - UP WASHER
11	-----	1	O - RING
12	-----	2	BACK - UP WASHER
13	-----	1	O - RING
14	-----	1	U - CUP
15	-----	1	WIPER

COMMON TWIN

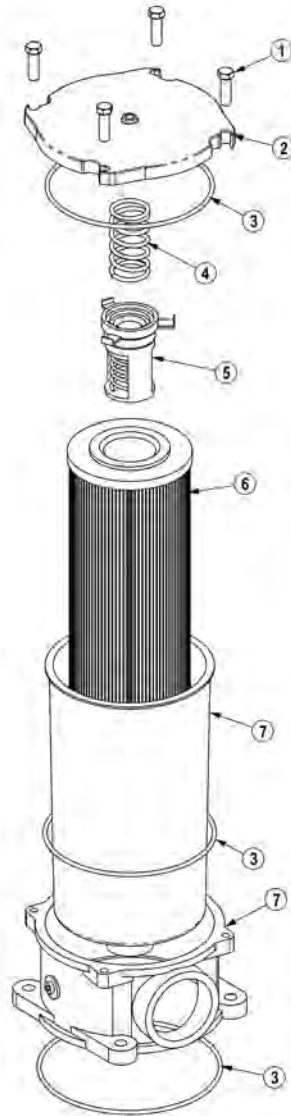
3IN X 18IN HYDRAULIC CYLINDER BREAKDOWN



ITEM	PART NO.	QTY.	DESCRIPTION
---	6T0150	-	CYLINDER 3" X 18"
1	6T0167	1	CYLINDER BUTT
2	6T0170	1	CYLINDER GLAND
3	6T0178	1	CLEVIS END
4	6T0165	1	CYLINDER TUBE
5	6T0162	1	PISTON ROD
6	6T0173	1	PISTON
7	6T0179	1	LOCKNUT
8	6T0177	4	TIE ROD ASY
---	6T0187	-	SEAL KIT
9	-----	2	O - RING
10	-----	2	BACK - UP WASHER
11	-----	1	O - RING
12	-----	2	BACK - UP WASHER
13	-----	1	O - RING
14	-----	1	U - CUP
15	-----	1	WIPER
16	6T0206	1	SPACER

COMMON TWIN

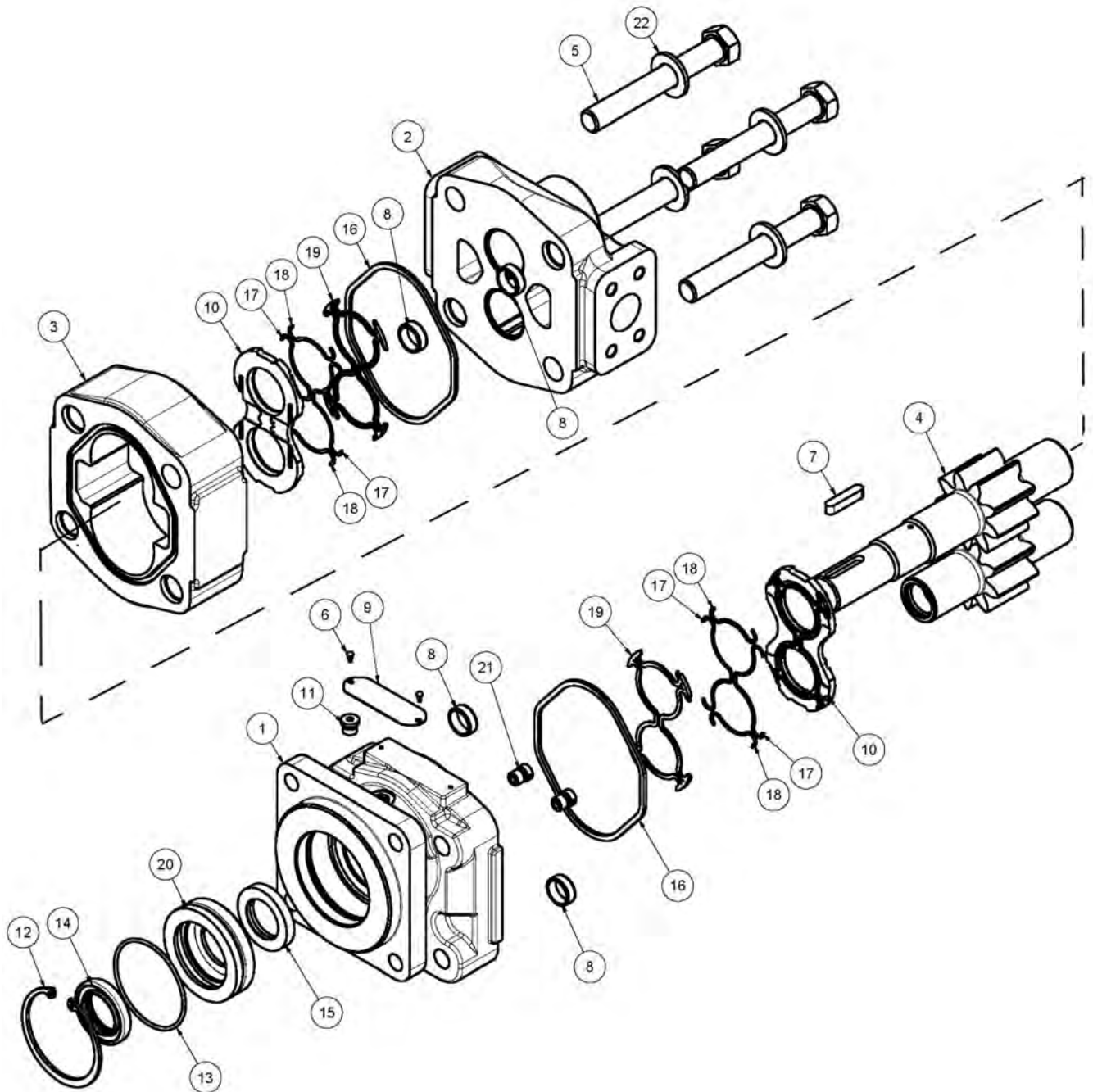
RESERVOIR TANK FILTER ASSEMBLY



ITEM	PART NO.	QTY.	DESCRIPTION
---	06505044	-	FILTER ASSY SAE 10 MICRON
1	28583	4	CAPSCREW,8MM X 25MM(1.25 PITCH)
2	06505045	1	COVER
3	06505046	1	SEAL KIT
4	06505047	1	SPRING
5	06505048	1	BYPASS
6	35259	1	FILTER,10 MIC,RETURN LINE
7	06505049	1	CAN/BODY

COMMON TWIN

ROTARY MOTOR BREAKDOWN



COMMON TWIN

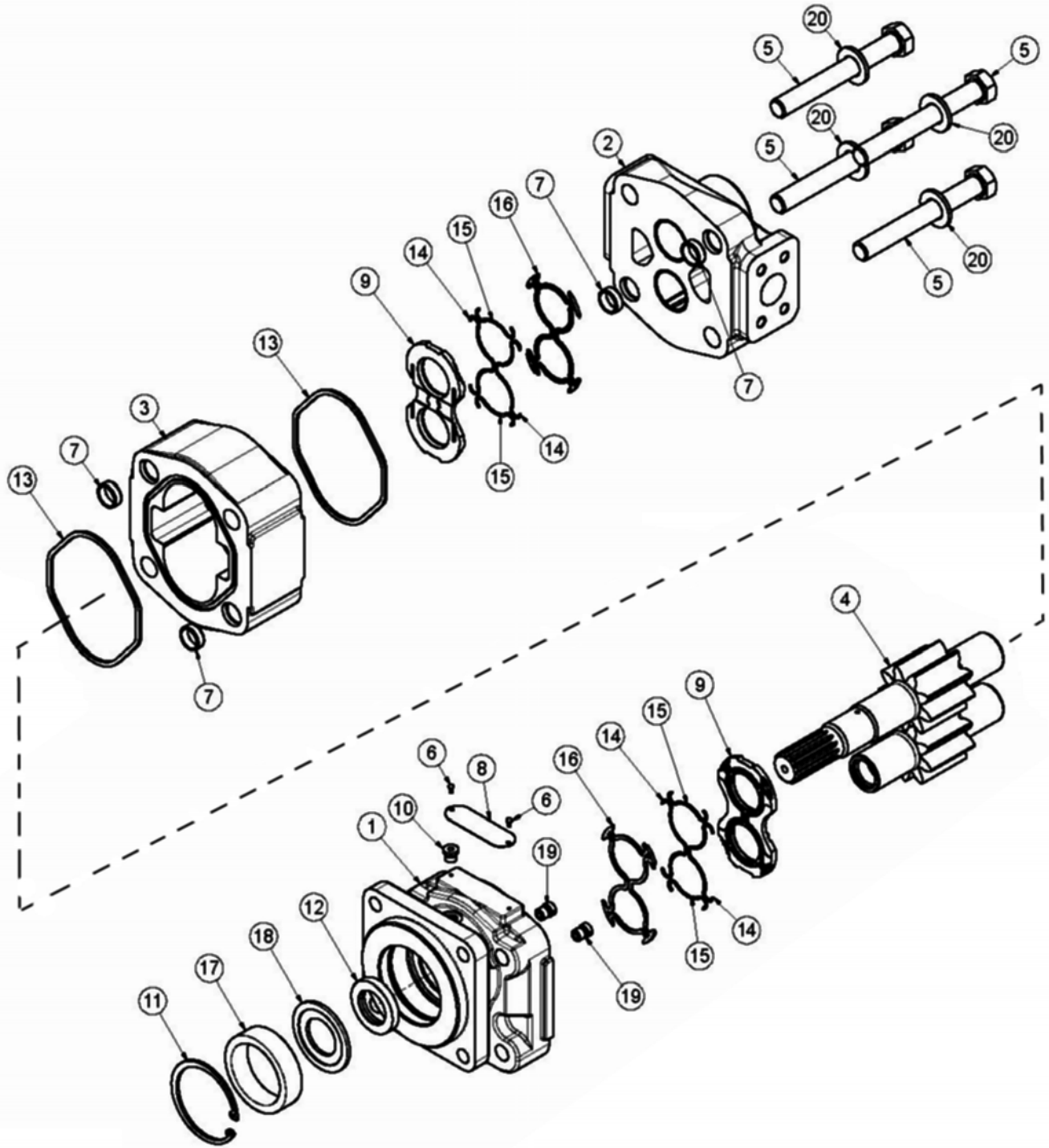
ROTARY MOTOR BREAKDOWN

Continued...

ITEM	PART NO.	QTY.	DESCRIPTION
	06504011	-	MOTOR ASSEMBLY
1	22790	1	END,COVER
2	06504088	1	HOUSING, PEC
3	06504111	1	HOUSING, GEAR
4	06504026	1	SET, GEAR SHAFT
5	06504104	4	CAPSCREW
6	06504078	2	SCREW, DRIVE
7	06504092	1	KEY
8	06504093	4	PIN, DOWEL
9	06504094	1	NAME PLATE
10	06504095	2	THRPL
11	2961940	1	PLUG, ODT
12	2962200	1	RING, SNAP
13	06504096	1	O RING
14	6T5101	1	SEAL, LIP
15	06504097	1	SEAL, LIP
16	22797	2	SEAL, SQ-R
17	06504098	4	SEAL, SIDE CHAN
18	06504099	4	SEAL, END CHAN
19	06504100	2	SEAL, BK-UP
20	06504101	1	RTNR, SEAL
21	6T5809	2	CHECK ASS'Y
22	06504102	4	WASHER
---	06504103	-	SEAL KIT

COMMON TWIN

60IN TSR ROTARY MOTOR BREAKDOWN



COMMON TWIN

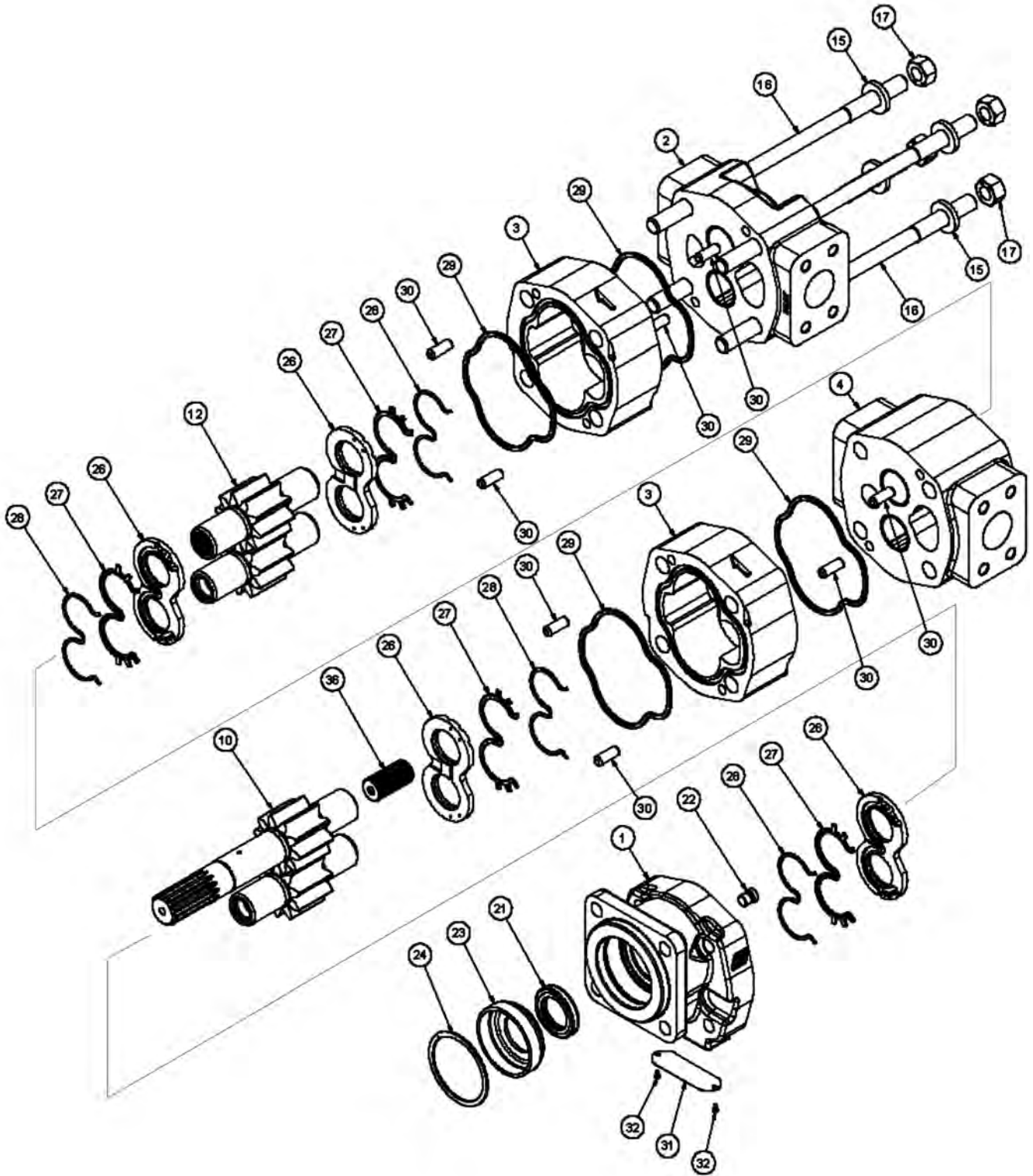
60IN TSR ROTARY MOTOR BREAKDOWN

Continued...

ITEM	PART NO.	QTY.	DESCRIPTION
	06504016	-	MOTOR(M365-1 1/4SPLINE),SEALED
1	22790	1	COVER,END
2	06504088	1	HOUSING,PEC
3	06504111	1	HOUSING,GEAR
4	06504110	1	SET,GEAR SHAFT
5	06504104	4	CAP SCREW
6	06504078	2	SCREW,DRIVE
7	06504093	4	PIN,DOWEL
8	06504094	1	NAME PLATE
9	06504095	2	THRPL
10	02961940	1	PLUG,ODT (0.25)
11	6T5200	1	RING,SNAP
12	06504097	1	SEAL,LIP
13	22797	2	SEAL,SQ-R
14	06504098	4	SEAL,SIDE CHAN
15	06504099	4	SEAL,END CHAN
16	06504100	2	SEAL,BK-UP
17	06504112	1	SPACER
18	06504113	1	RTNR,SEAL
19	6T5809	2	CHECK ASS'Y
20	06504102	4	WASHER
---	06504022	1	SEAL KIT

COMMON TWIN

FRONT HYDRAULIC PUMP BREAKDOWN



COMMON TWIN

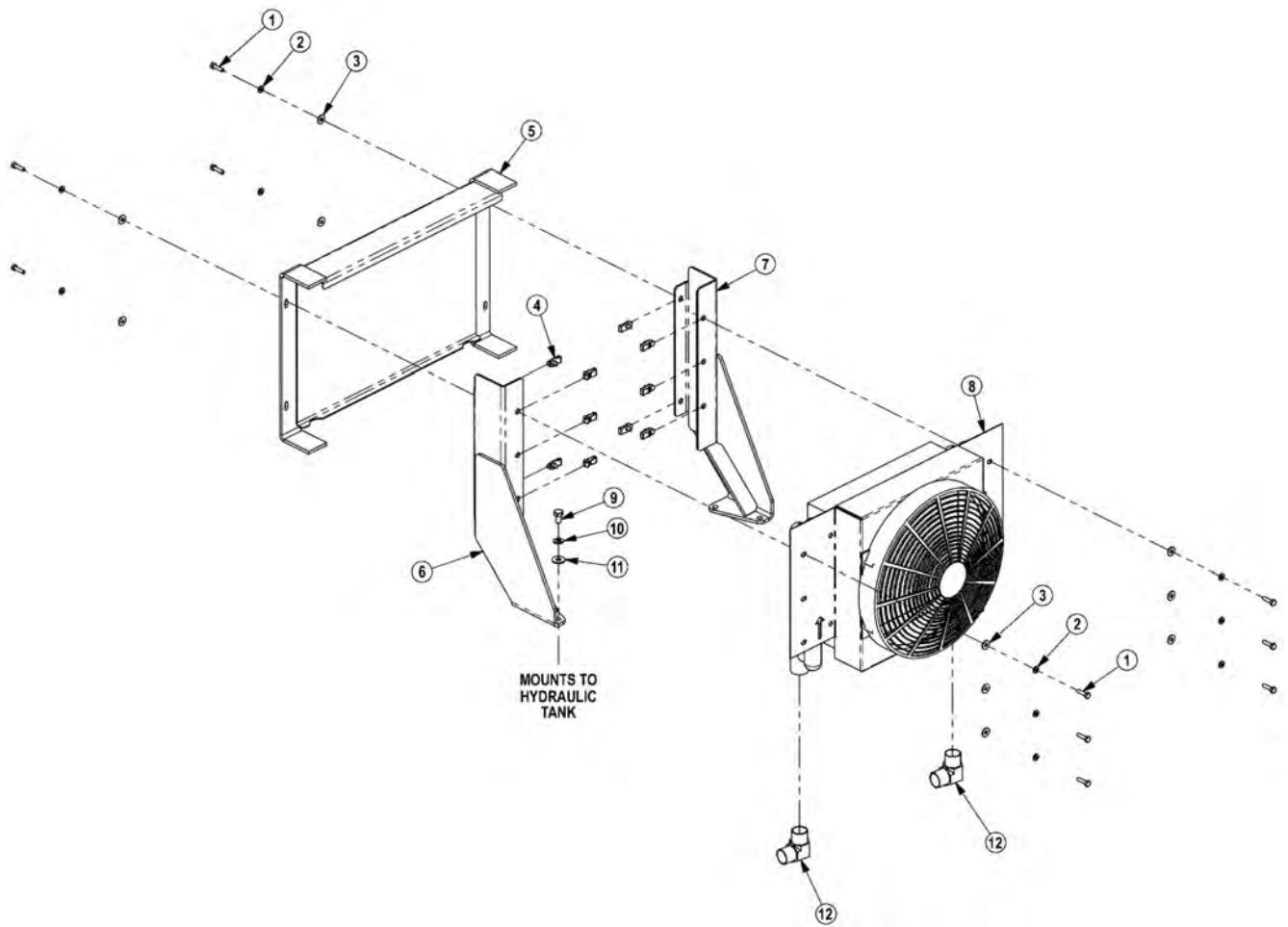
FRONT HYDRAULIC PUMP BREAKDOWN

Continued...

ITEM	PART NO.	QTY.	DESCRIPTION
---	06504002	1	PUMP,ASSY
1	22766	1	HOUSING,SEC
2	06504068	1	HOUSING,PEC
3	02965092	2	HOUSING,GEAR
4	06504069	1	HOUSING,BEARING CARRIER
10	06504070	1	SET,GEARSHAFT
12	06504071	1	GEAR,SET
15	02961917	4	WASHER
16	06504072	4	STUD
17	06504073	4	NUT,HEX
21	22765	1	SEAL,LIP
22	6T5121	1	PLUG
23	02979970	1	SPACER
24	02979971	1	RING,SNAP
26	02965611	4	THRPL
27	06504074	4	SEAL,CHAN
28	06504075	4	SEAL,BK-UP
29	06504076	4	SEAL,SQ-R
30	02961924	8	PIN,DOWEL
31	06504077	1	NAMEPLATE
32	06504078	2	SCREW,DRIVE
36	06504079	1	SFT,CONN
---	22764	1	SEAL KIT (ITEMS 21, 27, 28 & 29)

COMMON TWIN

COOLER ASSEMBLY



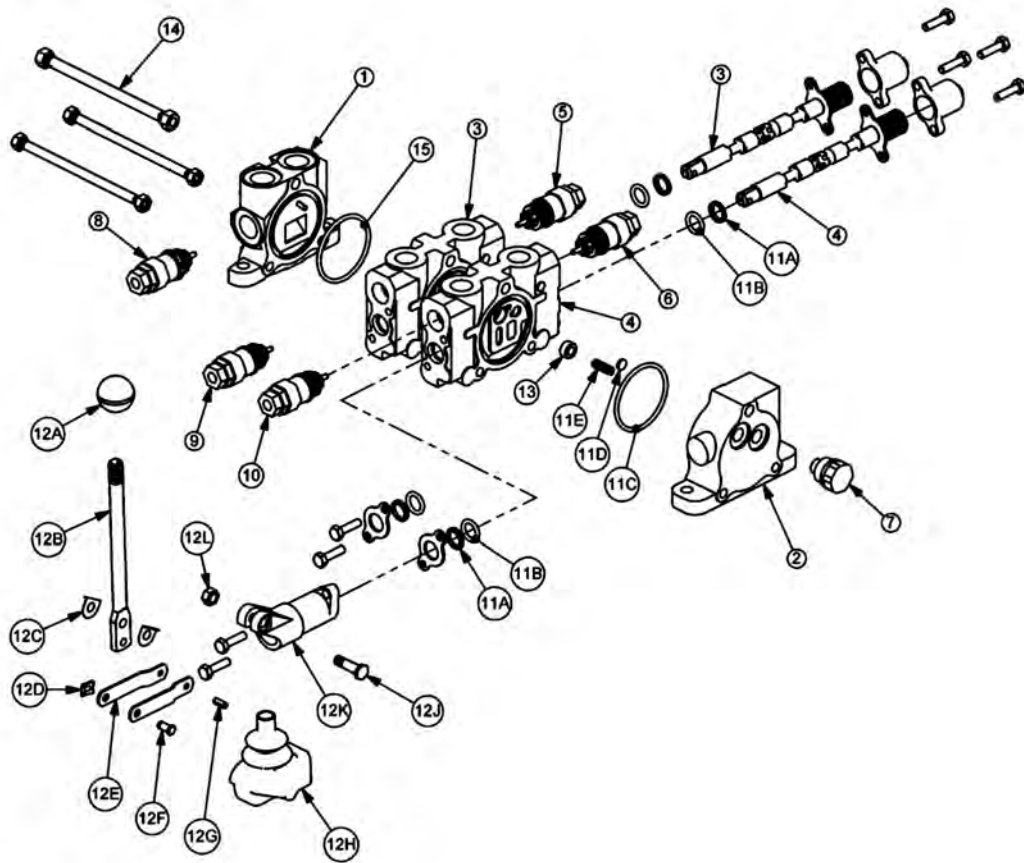
COOLER ASSEMBLY

Continued...

ITEM	PART NO.	QTY.	DESCRIPTION
1	21530	10	CAPSCREW,1/4 X1 NC
2	21986	10	LOCKWASHER,1/4
3	22014	10	FLATWASHER,1/4
4	35176	10	1/4 U-NUT
5	06370015	1	SCREEN,COOLER,FRNT
6	06380006	1	MNT,COOLER,BUMPER TANK,RH
7	06380007	1	MNT,COOLER,BUMPER TANK,LH
8	06510350	1	COOLER,FRONT MNT
---	06510029	1	FAN ASSY ONLY
9	21629	4	CAPSCREW,3/8 X 3/4 NC
10	21988	4	LOCKWASHER,3/8
11	22016	4	FLATWASHER,3/8
12	34117	2	ELBOW,1MOR X 1MJ90,FORGED

COMMON TWIN

CABLE (MANUAL) LIFT VALVE BREAKDOWN - 31320



COMMON TWIN

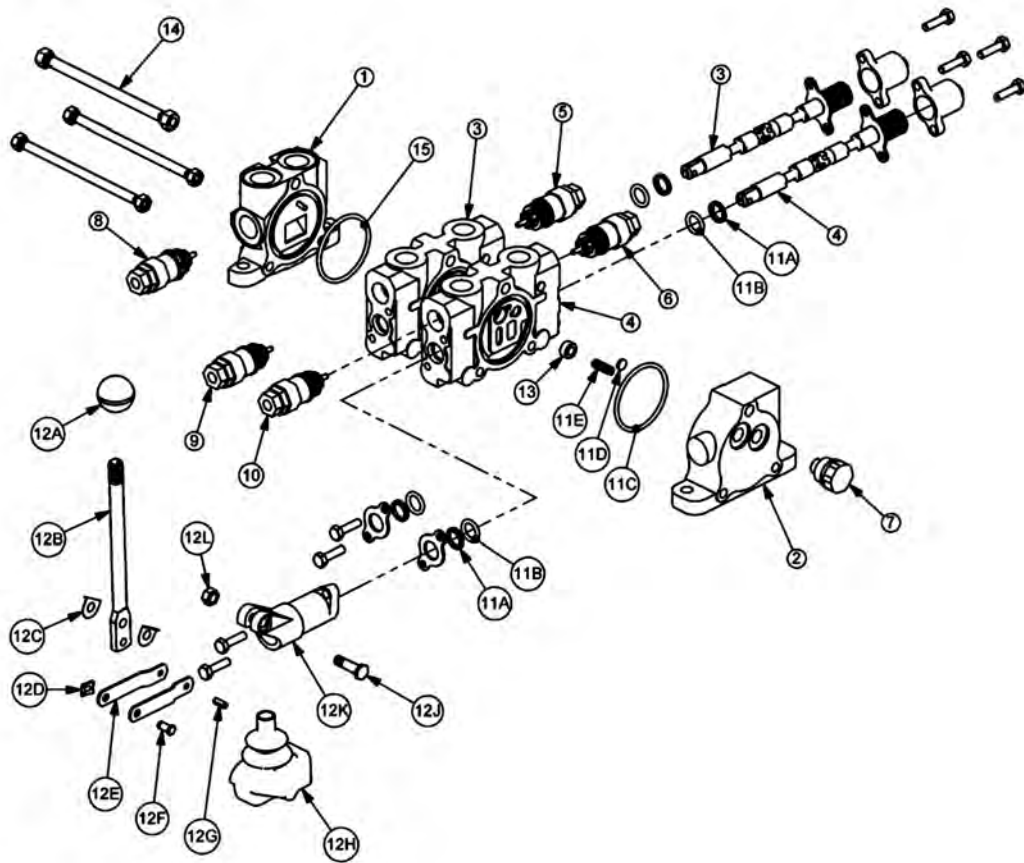
CABLE (MANUAL) LIFT VALVE BREAKDOWN - 31320

Continued...

ITEM	PART NO.	QTY.	DESCRIPTION
1	31595	1	INLET END COVER
2	31594	1	END COVER, LOAD SENSE
3	31597	1	VALVE SECTION (DOUBLE ACTING, CENTER SPRING)
4	31597	1	VALVE SECTION (DOUBLE ACTING, CENTER SPRING)
5	06503067	1	RELIEF PLUG
6	06503067	1	RELIEF PLUG
7	N/A	-	N/A
8	6T4209	1	RELIEF PLUG
9	31862	1	RELIEF VALVE, 2175 PSI
10	31862	1	RELIEF VALVE, 2175 PSI
11	31593	2	VALVE SEAL KIT (FOR ONE SECTION)
11A	-----	2	WIPER
11B	-----	2	O-RING SMALL
11C	-----	1	O-RING LARGE
11D	-----	1	SHUTTLE DISC
11E	-----	1	SPRING
12	TB1017L	2	LEVER KIT (FOR ONE SECTION)
12A	-----	1	LEVER KNOB
12B	-----	1	LEVER
12C	-----	2	LEVER WASHER
12D	-----	1	LEVER CLIP
12E	-----	2	LINKAGE
12F	-----	1	LEVER PIN
12G	-----	1	ROLL PIN
12H	-----	1	LEVER BOOT
12J	-----	1	LEVER BOLT
12K	-----	1	LEVER DUST COVER
12L	-----	1	LEVER NUT
13	31603	2	COMPENSATOR
14	TB1017X	1	TIE ROD KIT
15	24214	1	O-RING, LARGE

COMMON TWIN

CABLE (MANUAL) LIFT VALVE BREAKDOWN - 31321



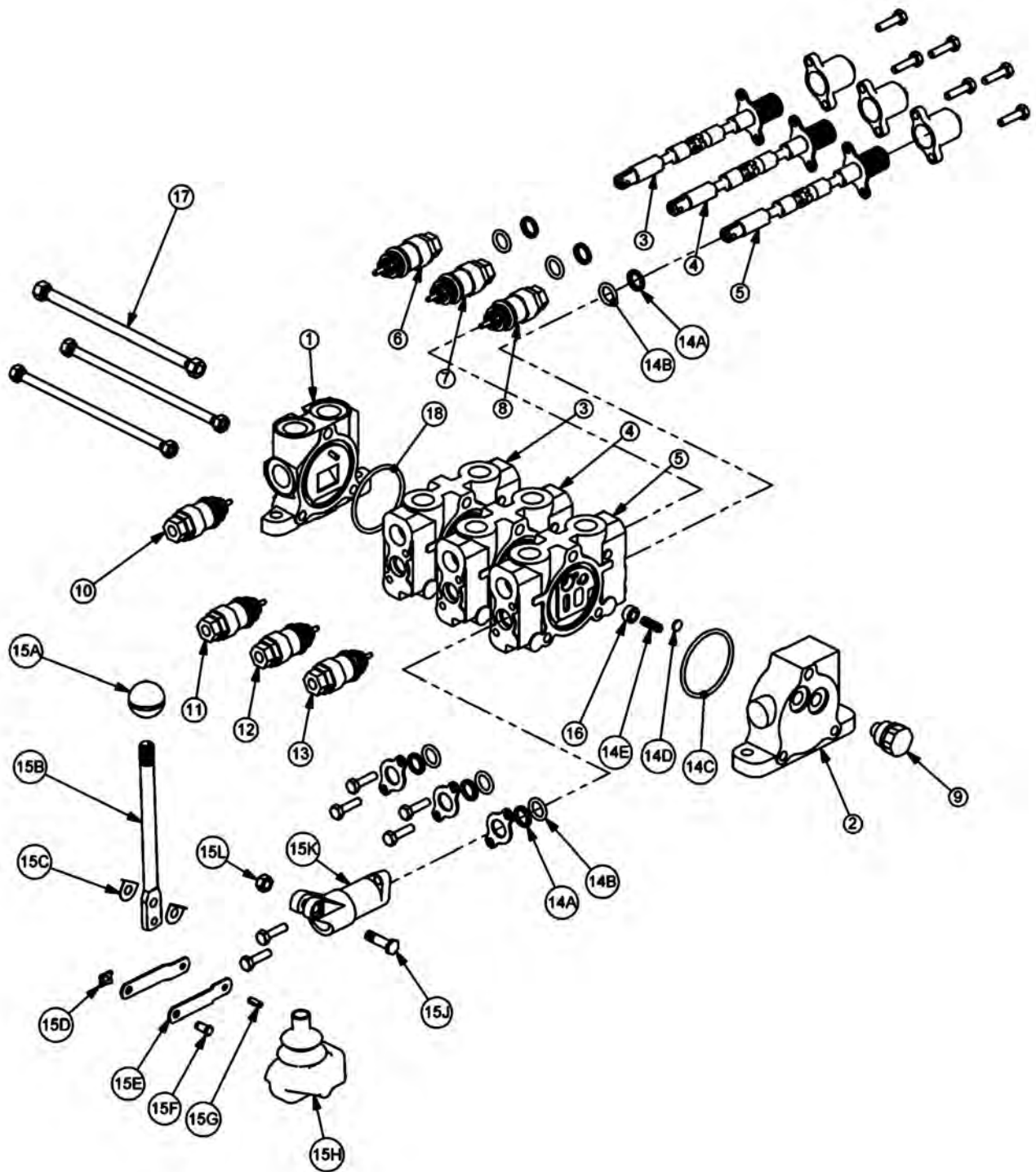
CABLE (MANUAL) LIFT VALVE BREAKDOWN - 31321

Continued...

ITEM	PART NO.	QTY.	DESCRIPTION
1	31595	1	INLET END COVER
2	31594	1	END COVER, LOAD SENSE
3	31597	1	VALVE SECTION (DOUBLE ACTING, CENTER SPRING)
4	31597	1	VALVE SECTION (DOUBLE ACTING, CENTER SPRING)
5	06503067	1	RELIEF PLUG
6	31861	1	RELIEF VALVE, 360 PSI
7	N/A	-	N/A
8	6T4209	1	RELIEF PLUG
9	31862	1	RELIEF VALVE, 2175 PSI
10	31862	1	RELIEF VALVE, 2175 PSI
11	31593	2	VALVE SEAL KIT (FOR ONE SECTION)
11A	-----	2	WIPER
11B	-----	2	O-RING SMALL
11C	-----	1	O-RING LARGE
11D	-----	1	SHUTTLE DISC
11E	-----	1	SPRING
12	TB1017L	2	LEVER KIT (FOR ONE SECTION)
12A	-----	1	LEVER KNOB
12B	-----	1	LEVER
12C	-----	2	LEVER WASHER
12D	-----	1	LEVER CLIP
12E	-----	2	LINKAGE
12F	-----	1	LEVER PIN
12G	-----	1	ROLL PIN
12H	-----	1	LEVER BOOT
12J	-----	1	LEVER BOLT
12K	-----	1	LEVER DUST COVER
12L	-----	1	LEVER NUT
13	31603	2	COMPENSATOR
14	TB1017X	1	TIE ROD KIT
15	24214	1	O-RING, LARGE

COMMON TWIN

CABLE (MANUAL) LIFT VALVE BREAKDOWN - 06502043



COMMON TWIN

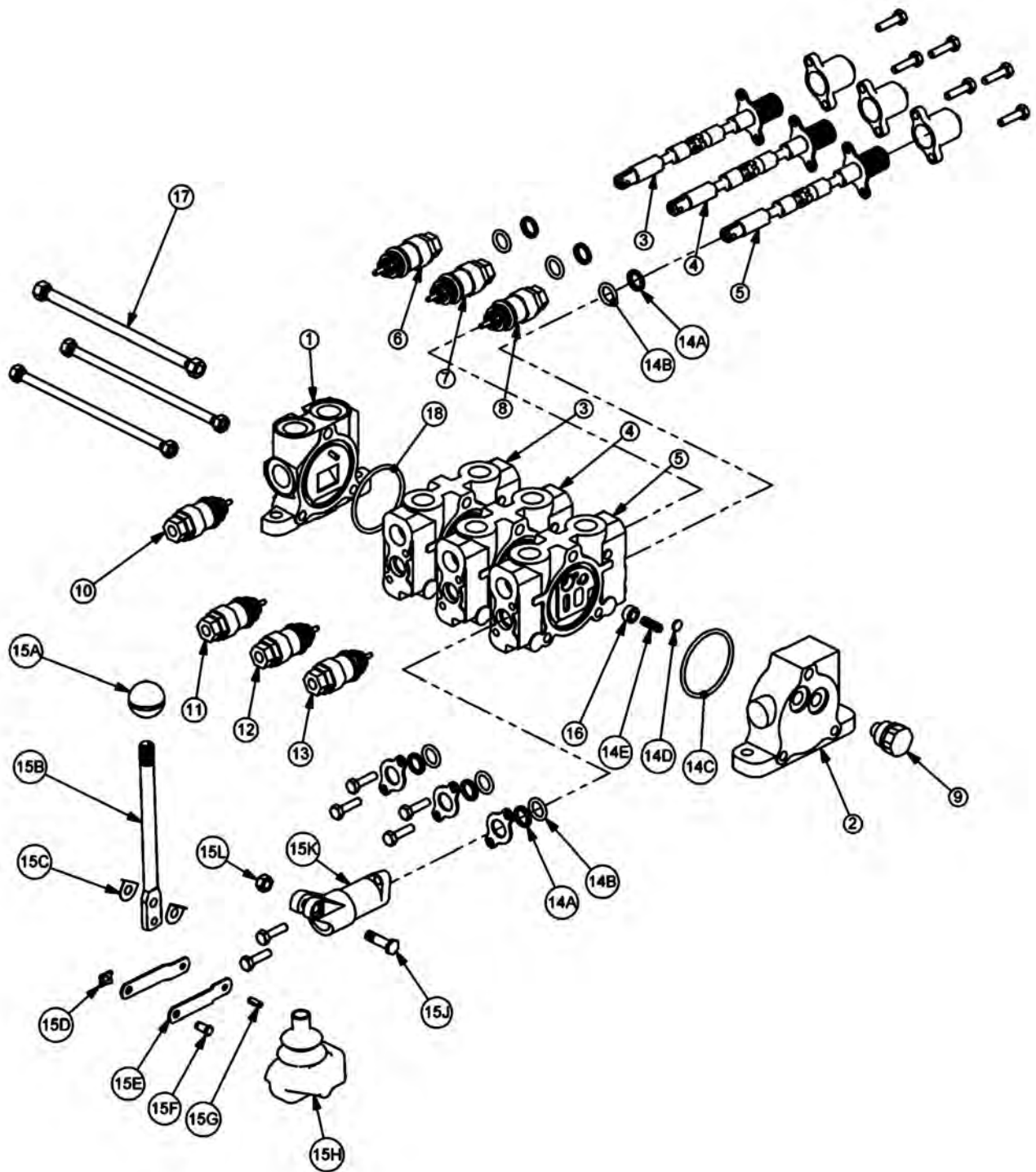
CABLE (MANUAL) LIFT VALVE BREAKDOWN - 06502043

Continued...

ITEM	PART NO.	QTY.	DESCRIPTION
1	31595	1	INLET END COVER
2	31594	1	END COVER, LOAD SENSE
3	31597	1	VALVE SECTION (DOUBLE ACTING, CENTER SPRING)
4	31597	1	VALVE SECTION (DOUBLE ACTING, CENTER SPRING)
5	31597	1	VALVE SECTION (DOUBLE ACTING, CENTER SPRING) (REMOVE SHUTTLE DISC)
6	06503067	1	RELIEF PLUG
7	06503067	1	RELIEF PLUG
8	28816	1	RELIEF VALVE, 1812 PSI
9	06503068	1	RELIEF PLUG
10	6T4209	1	RELIEF PLUG
11	31862	1	RELIEF VALVE, 2175 PSI
12	31862	1	RELIEF VALVE, 2175 PSI
13	28816	1	RELIEF VALVE, 1812 PSI
14	31593	3	VALVE SEAL KIT (FOR ONE SECTION)
14A	-----	2	WIPER
14B	-----	2	O-RING SMALL
14C	-----	1	O-RING LARGE
14D	-----	1	SHUTTLE DISC
14E	-----	1	SPRING
15	TB1017L	3	LEVER KIT (FOR ONE SECTION)
15A	-----	1	LEVER KNOB
15B	-----	1	LEVER
15C	-----	2	LEVER WASHER
15D	-----	1	LEVER CLIP
15E	-----	2	LINKAGE
15F	-----	1	LEVER PIN
15G	-----	1	ROLL PIN
15H	-----	1	LEVER BOOT
15J	-----	1	LEVER BOLT
15K	-----	1	LEVER DUST COVER
15L	-----	1	LEVER NUT
16	31603	3	COMPENSATOR
17	23397	1	TIE ROD KIT
18	24214	1	O-RING, LARGE

COMMON TWIN

CABLE (MANUAL) LIFT VALVE BREAKDOWN - 06502044



COMMON TWIN

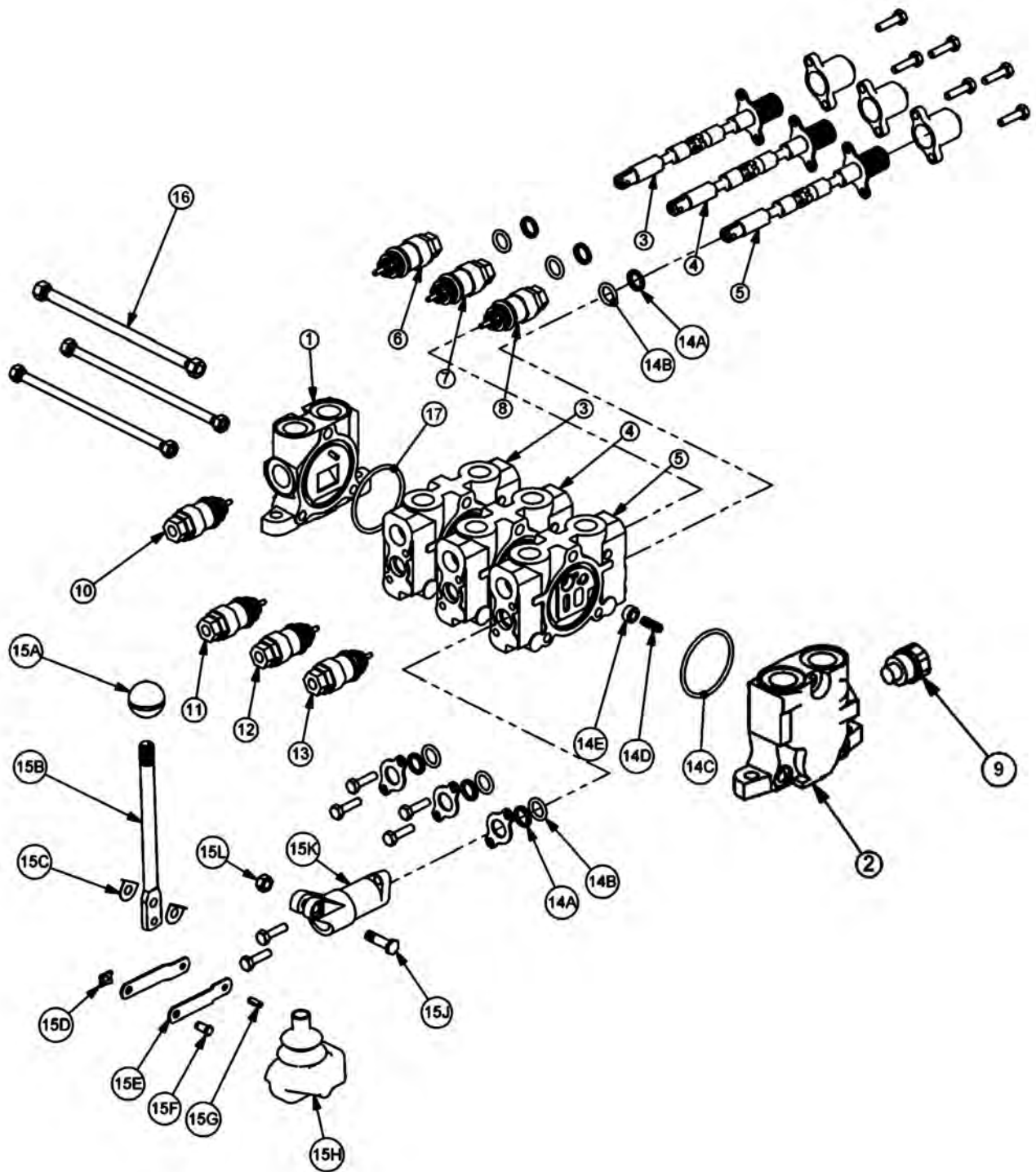
CABLE (MANUAL) LIFT VALVE BREAKDOWN - 06502044

Continued...

ITEM	PART NO.	QTY.	DESCRIPTION
1	31595	1	INLET END COVER
2	31594	1	END COVER, LOAD SENSE
3	31597	1	VALVE SECTION (DOUBLE ACTING, CENTER SPRING)
4	31597	1	VALVE SECTION (DOUBLE ACTING, CENTER SPRING)
5	31597	1	VALVE SECTION (DOUBLE ACTING, CENTER SPRING) (REMOVE SHUTTLE DISC)
6	06503067	1	RELIEF PLUG
7	31861	1	RELIEF VALVE, 360 PSI
8	28816	1	RELIEF VALVE, 1812 PSI
9	06503068	1	RELIEF PLUG
10	6T4209	1	RELIEF PLUG
11	31862	1	RELIEF VALVE, 2175 PSI
12	31862	1	RELIEF VALVE, 2175 PSI
13	28816	1	RELIEF VALVE, 1812 PSI
14	31593	3	VALVE SEAL KIT (FOR ONE SECTION)
14A	-----	2	WIPER
14B	-----	2	O-RING SMALL
14C	-----	1	O-RING LARGE
14D	-----	1	SHUTTLE DISC
14E	-----	1	SPRING
15	TB1017L	3	LEVER KIT (FOR ONE SECTION)
15A	-----	1	LEVER KNOB
15B	-----	1	LEVER
15C	-----	2	LEVER WASHER
15D	-----	1	LEVER CLIP
15E	-----	2	LINKAGE
15F	-----	1	LEVER PIN
15G	-----	1	ROLL PIN
15H	-----	1	LEVER BOOT
15J	-----	1	LEVER BOLT
15K	-----	1	LEVER DUST COVER
15L	-----	1	LEVER NUT
16	31603	3	COMPENSATOR
17	23397	1	TIE ROD KIT
18	24214	1	O-RING, LARGE

COMMON TWIN

CABLE (MANUAL) LIFT VALVE BREAKDOWN - 06502087



COMMON TWIN

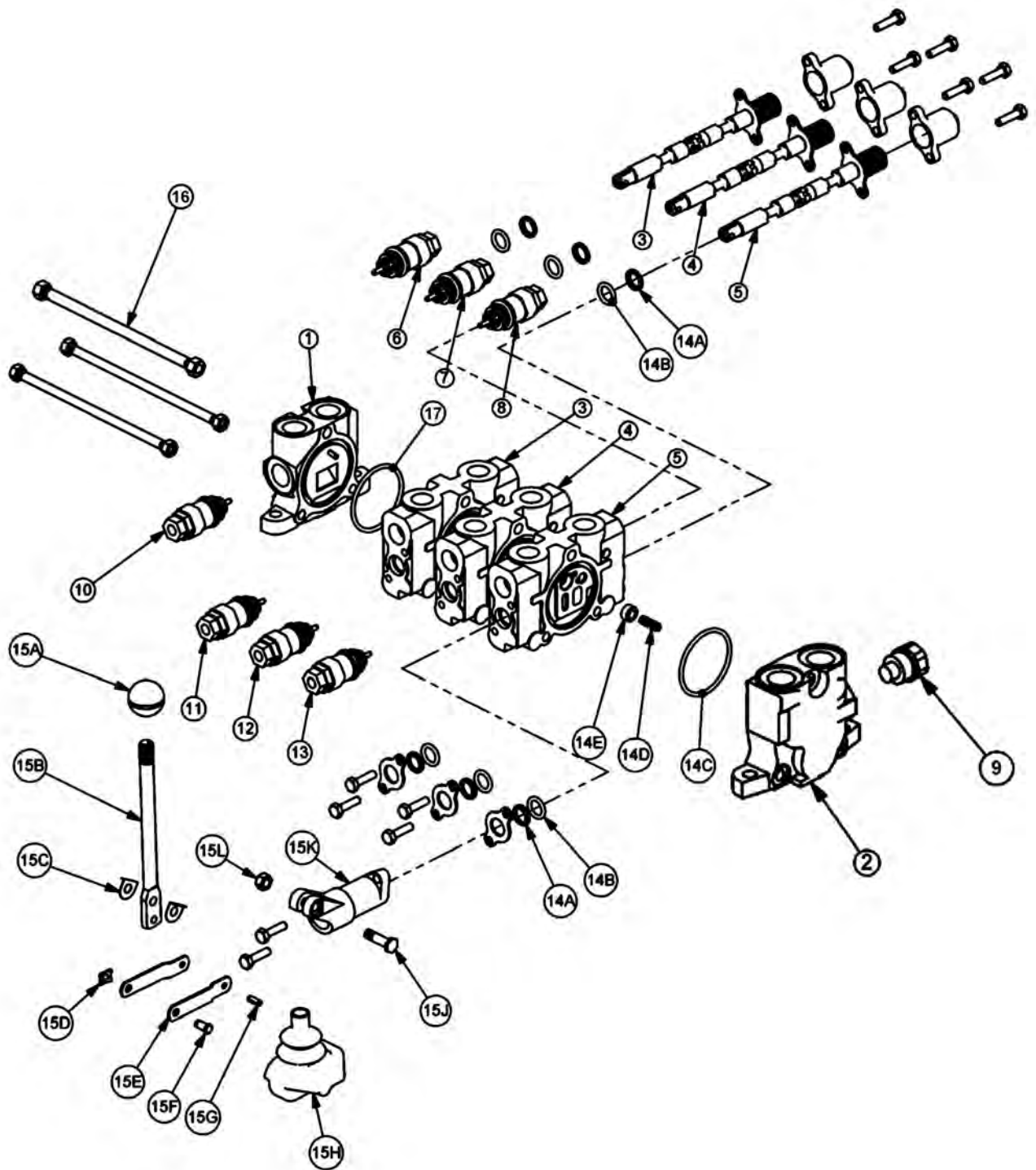
CABLE (MANUAL) LIFT VALVE BREAKDOWN - 06502087

Continued...

ITEM	PART NO.	QTY.	DESCRIPTION
1	TB1017S	1	INLET END COVER
2	TB1702	1	END COVER, POWER BEYOND
3	TB1017P	1	VALVE SECTION (SINGLE ACTING, SPRING DETENT)
4	TB1017P	1	VALVE SECTION (SINGLE ACTING, SPRING DETENT)
5	TB1017N	1	VALVE SECTION (DOUBLE ACTING, CENTER SPRING)
6	-----	-	N/A
7	-----	-	N/A
8	28816	1	RELIEF VALVE, 1812 PSI
9	TB1017M	1	SHUT-OFF PLUG
10	06502085	1	RELIEF VALVE, 3000 PSI
11	31862	1	RELIEF VALVE, 2175 PSI
12	31862	1	RELIEF VALVE, 2175 PSI
13	28816	1	RELIEF VALVE, 1812 PSI
14	TB1017A	4	VALVE SEAL KIT (FOR ONE SECTION)
14A	-----	2	WIPER
14B	-----	2	O-RING SMALL
14C	-----	1	O-RING LARGE
14D	-----	1	SPRING
14E	-----	1	PUCKET
15	TB1017L	4	LEVER KIT (FOR ONE SECTION)
15A	-----	1	LEVER KNOB
15B	-----	1	LEVER
15C	-----	2	LEVER WASHER
15D	-----	1	LEVER CLIP
15E	-----	2	LINKAGE
15F	-----	1	LEVER PIN
15G	-----	1	ROLL PIN
15H	-----	1	LEVER BOOT
15J	-----	1	LEVER BOLT
15K	-----	1	LEVER DUST COVER
15L	-----	1	LEVER NUT
16	23397	1	TIE ROD KIT
17	24214	1	O-RING, LARGE

COMMON TWIN

CABLE (MANUAL) LIFT VALVE BREAKDOWN - 06502088



COMMON TWIN

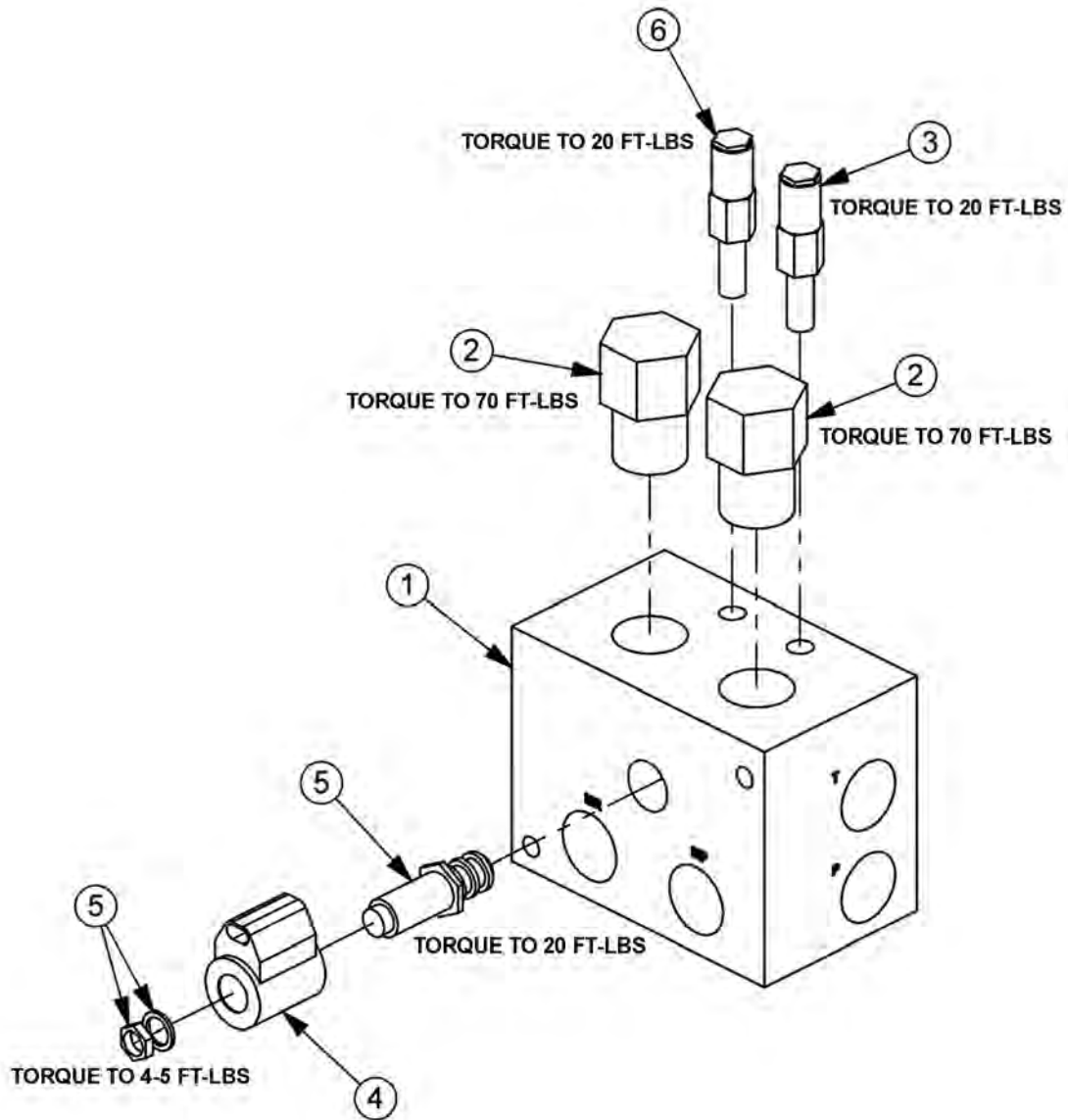
CABLE (MANUAL) LIFT VALVE BREAKDOWN - 06502088

Continued...

ITEM	PART NO.	QTY.	DESCRIPTION
1	TB1017S	1	INLET END COVER
2	TB1702	1	END COVER, POWER BEYOND
3	TB1017P	1	VALVE SECTION (SINGLE ACTING, SPRING DETENT)
4	TB1017N	1	VALVE SECTION (DOUBLE ACTING, CENTER SPRING)
5	TB1017N	1	VALVE SECTION (DOUBLE ACTING, CENTER SPRING)
6	-----	-	N/A
7	31861	1	RELIEF VALVE, 360 PSI
8	28816	1	RELIEF VALVE, 1812 PSI
9	TB1017M	1	SHUT-OFF PLUG
10	06502085	1	RELIEF VALVE, 3000 PSI
11	31862	1	RELIEF VALVE, 2175 PSI
12	31862	1	RELIEF VALVE, 2175 PSI
13	28816	1	RELIEF VALVE, 1812 PSI
14	TB1017A	4	VALVE SEAL KIT (FOR ONE SECTION)
14A	-----	2	WIPER
14B	-----	2	O-RING SMALL
14C	-----	1	O-RING LARGE
14D	-----	1	SPRING
14E	-----	1	PUCKET
15	TB1017L	4	LEVER KIT (FOR ONE SECTION)
15A	-----	1	LEVER KNOB
15B	-----	1	LEVER
15C	-----	2	LEVER WASHER
15D	-----	1	LEVER CLIP
15E	-----	2	LINKAGE
15F	-----	1	LEVER PIN
15G	-----	1	ROLL PIN
15H	-----	1	LEVER BOOT
15J	-----	1	LEVER BOLT
15K	-----	1	LEVER DUST COVER
15L	-----	1	LEVER NUT
16	23397	1	TIE ROD KIT
17	24214	1	O-RING, LARGE

COMMON TWIN

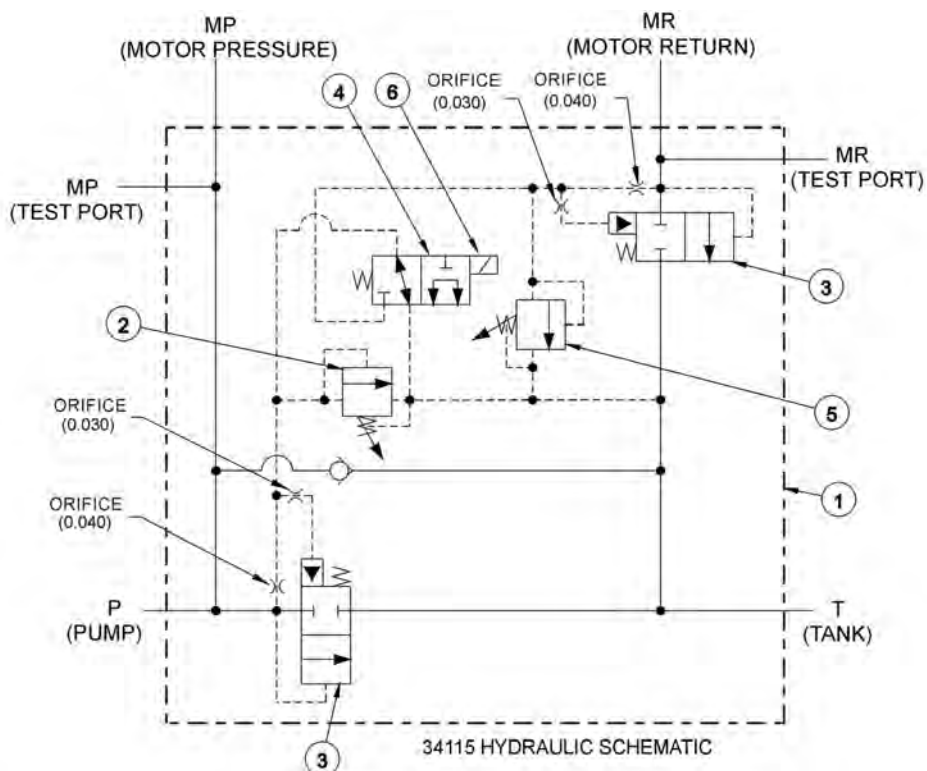
BRAKE VALVE ASSEMBLY



ITEM	PART NO.	QTY.	DESCRIPTION
---	06510083	1	BRAKE VALVE, ASSY
1	34092	1	BRAKE VALVE, BLANK
2	34094	2	LOGIC ELEMENT
3	34095	1	RELIEF VALVE, 3000 PSI
4	06510095	1	METRI PAK COIL
5	34093	1	CARTRIDGE, 2 POSITION, 3 WAY (WITH NUT & WASHER)
6	34091	1	RELIEF VALVE, 2600 PSI
---	34096	2	RELIEF SEAL KIT
----	34097	1	SOLENOID SEAL KIT
---	34098	2	ELEMENT SEAL KIT

COMMON TWIN

BRAKE VALVE HYDRAULIC SCHEMATIC



BRAKE VALVE TROUBLESHOOTING

FAILURE MODE:

- MOWER WILL NOT START - system pressure is low (engine not lugging).
- MOWER WILL NOT START - system pressure is high (engine lugging). "MR" port will be high pressure.
- MOWER WILL NOT ROTATE AT FULL SPEED - limited power.
- MOWER BLADE WILL NOT STOP - blade will not stop in proper time.

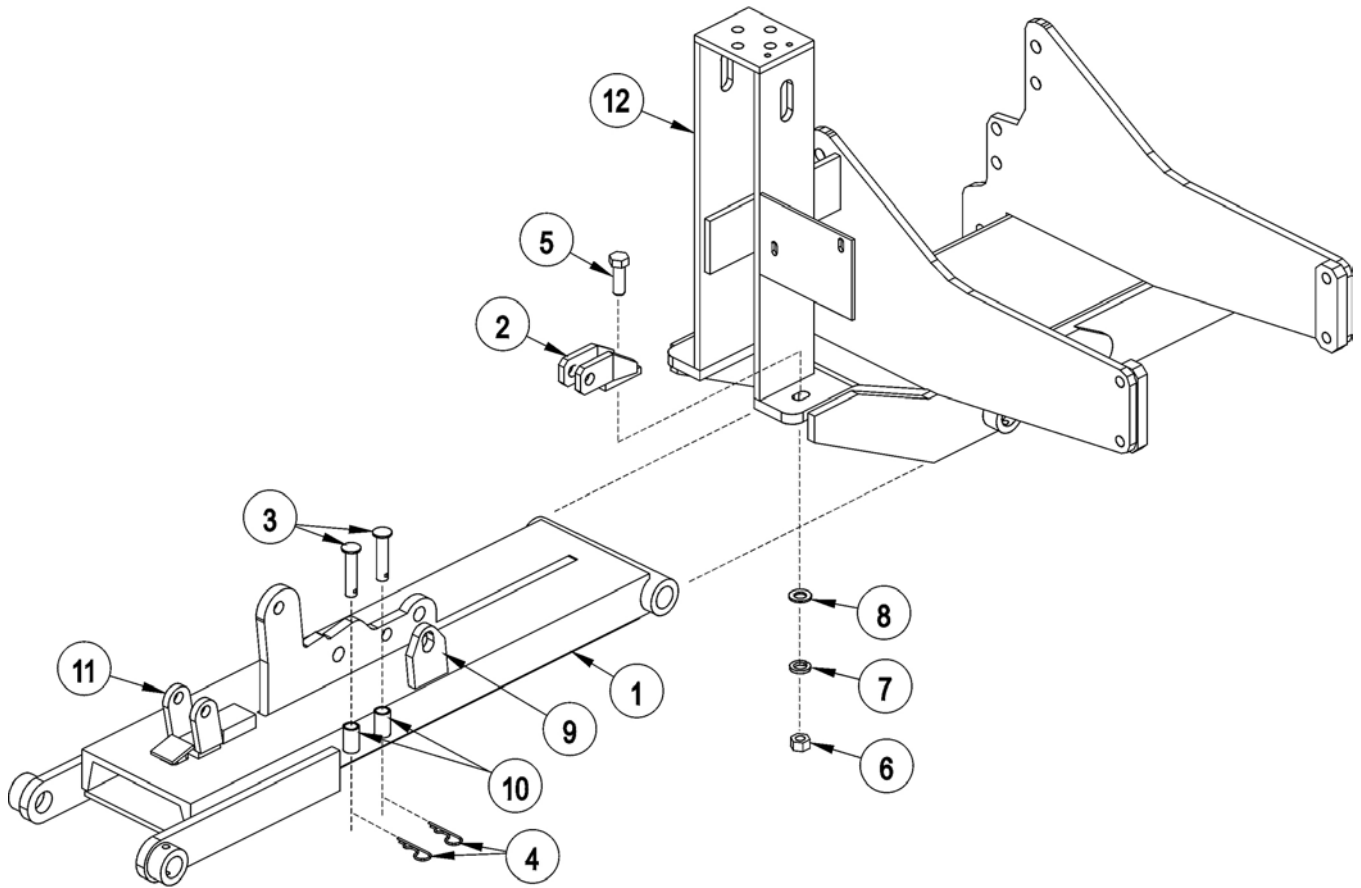
CHECK STEPS

- 1 thru 6
- 7
- 3 thru 5
- 7 thru 9

CORRECTIVE STEPS:

1. Check for voltage at solenoid (item 6), voltage must be between 10.2 volts and 13.8 volts.
2. Remove, inspect solenoid and cartridge (items 4, 6) for wear or contamination.
3. Remove, inspect logic elements near "P" port (item 3) for wear or contamination.
4. Remove, inspect 3000 psi relief valve (item 2) for wear or contamination.
5. Remove and inspect orifices near "P" port for contamination.
6. Remove "P" port hose and fitting, visually inspect for contamination, check ball for movement.
7. Remove and inspect orifices near "MR" port for contamination.
8. Remove, inspect 2600 psi relief valve (item 5) for wear or contamination.
9. Remove, inspect logic element near "MR" port (item 3) for wear or contamination.

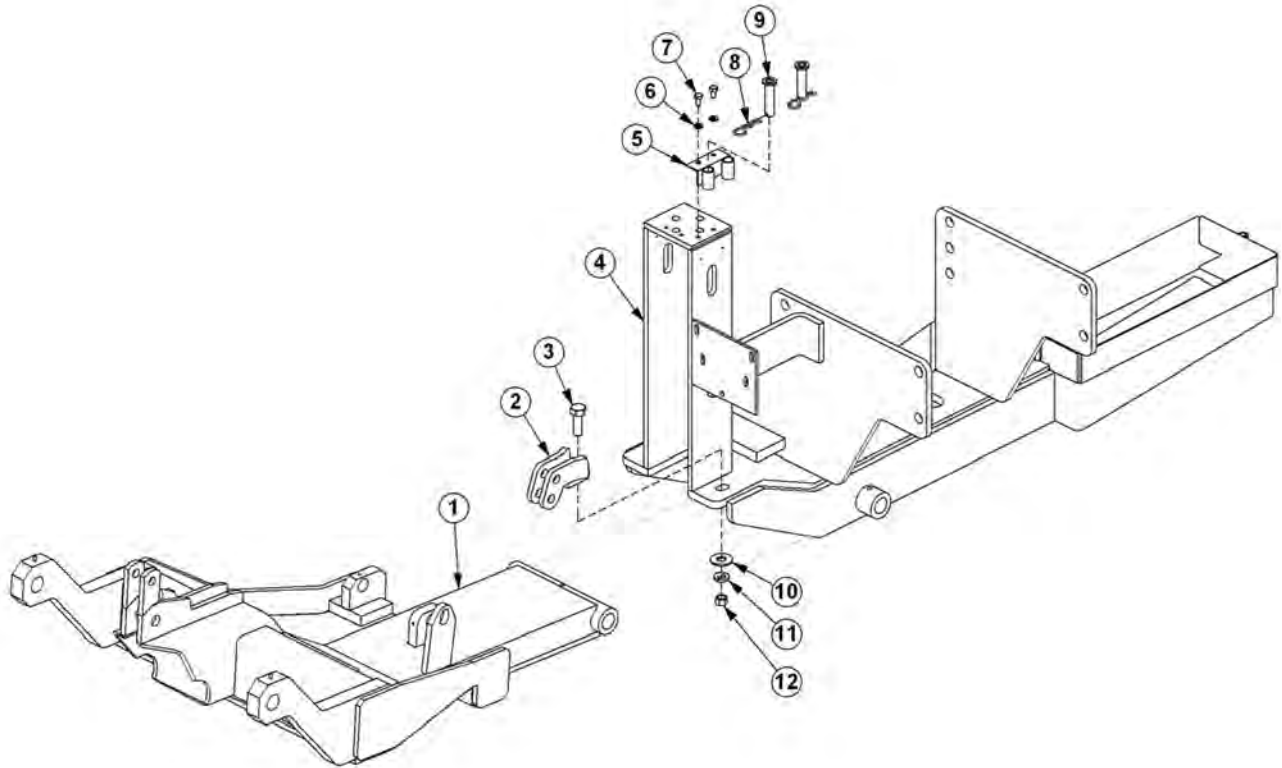
CABLE DRAFT BEAM TRAVEL LOCK



ITEM	PART NO.	QTY.	DESCRIPTION
1	-----	-	CABLE DRAFT BEAM
2	6T0106	1	TRAVEL LOCK BRACKET
3	6T0107	2	TRAVEL LOCK PINS 3/4" X 3 1/4"
4	6T3020	2	R - CLIP 5/32"
5	21833	1	CAPSCREW 3/4" X 2 1/4"
6	21825	1	HEX NUT 3/4"
7	21993	1	LOCK WASHER 3/4"
8	22021	1	FLAT WASHER 3/4"
9	22600	1	TRAVEL LOCK EAR
10	22604	2	PIN HOLDER
11	22601C	1	TRAVEL LOCK ASY
12	-----	-	MAIN FRAME *REFER TO PARTS SECTION

COMMON TWIN

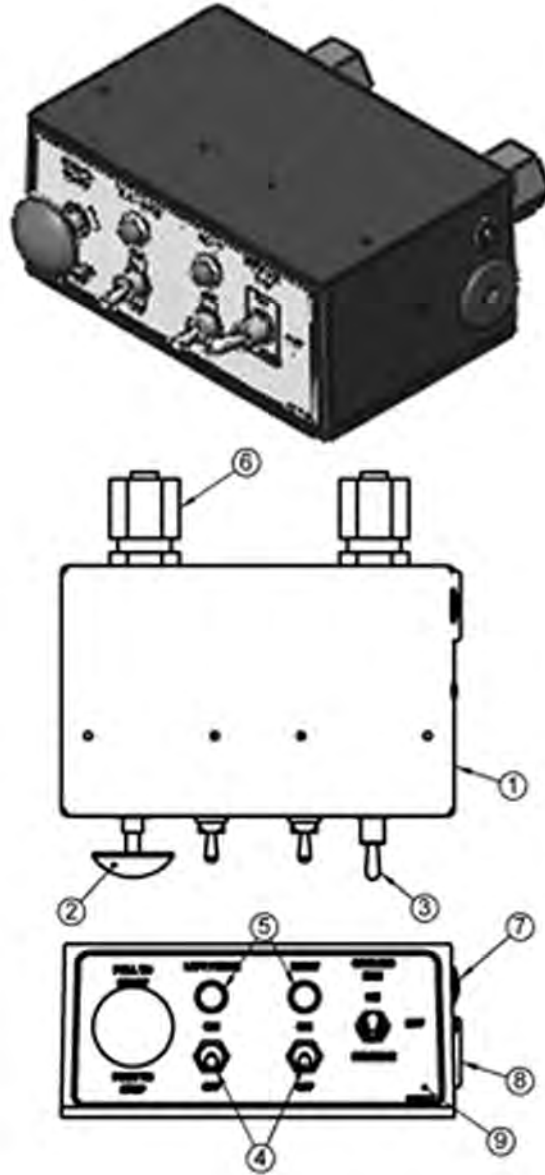
COMBO DRAFT BEAM TRAVEL LOCK



ITEM	PART NO.	QTY.	DESCRIPTION
1	-----	-	COMBO DRAFT BEAM
2	6T0106	1	TRAVEL LOCK BRACKET
3	21833	1	CAPSCREW 3/4" X 2 1/4"
4	-----	-	MAIN FRAME *REFER TO PARTS SECTION
5	33856	1	BRKT,PIN HOLDER
6	21988	2	LOCK WASHER 3/8"
7	21629	2	CAPSCREW 3/8" X 3/4"
8	6T3020	2	R - CLIP 5/32"
9	6T0107	2	TRAVEL LOCK PINS 3/4" X 3 1/4"
10	22021	1	FLAT WASHER 3/4"
11	21993	1	LOCK WASHER 3/4"
12	21825	1	HEX NUT 3/4"

COMMON TWIN

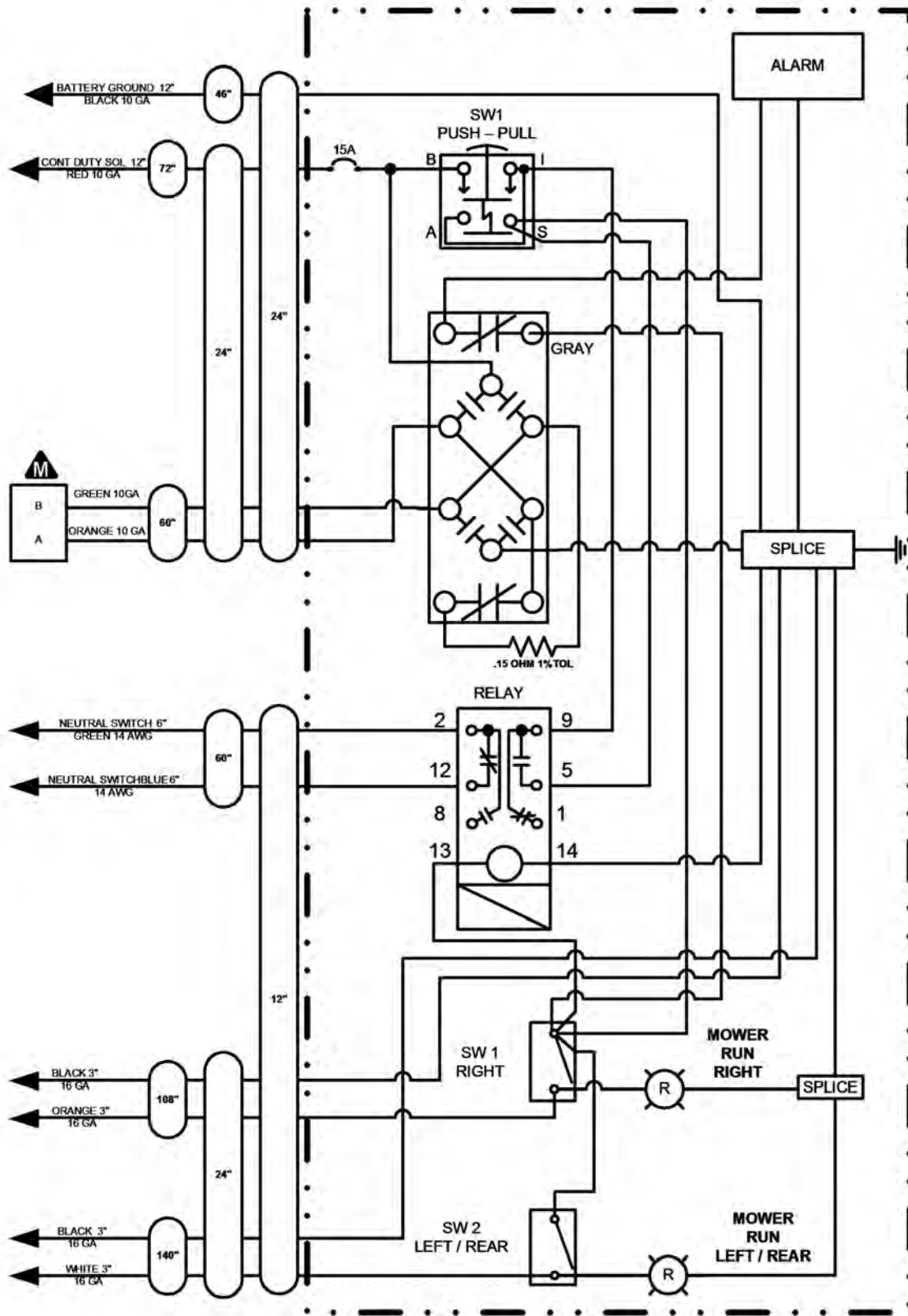
SWITCH BOX



ITEM	PART NO.	QTY.	DESCRIPTION
1	06514011	1	SWBX,ALUM,BLK,06510097
2	35226	1	SWITCH,MOWER,COLEHERSEE
3	06510028	1	SWITCH,FORWARD/BRAKE/REV
4	33811	2	SWITCH,MASTER/DECK FLOAT
5	6T3923	2	INDICTATOR LIGHT,ON,RED
6	34540	2	STRAIN RELIEF,3/4,BLACK,NYLON
7	06514006	1	BREAKER,15A,SWBX
8	06514015	1	ALARM,SWBX,REVERSER
9	06550002	1	DECAL,SWTCHBX,TWIN/T3F,REV FAN
10	35227	1	RELAY,DP,DT,12V,LY2F,35226

COMMON TWIN

SWITCH BOX SCHEMATIC



NOTES

WARRANTY SECTION

WARRANTY INFORMATION

Tiger Corporation, 3301 N. Louise, Sioux Falls, South Dakota, warrants to the original Retail Customer, the new Tiger equipment is free of defects in material and workmanship. Any part of equipment that in Tiger's judgement, show evidence of such defects will be repaired or replaced without charge, provided that the failure of part(s) shall have occurred within twelve (12) months from the date of delivery of said equipment to the Retail Customer. Expendable components such as knives, oil, chain sprockets, skid shoes, knife mounting disks and the like are excluded but not limited to this warranty.

The Retail Customer must pay the transportation cost to and from the Tiger Dealer's service shop for warranty service. Warranty service will be performed by the Tiger Dealer from whom the equipment was purchased, during service shop regularly scheduled days and hours of operation.

All Tiger obligation under this warranty shall be terminated if the equipment is modified or altered in ways not approved in writing by Tiger, if repair parts other than genuine Tiger repair parts have been used, or if the equipment has been subject to misuse, neglect, accident, improper maintenance or improper operation.

Tiger Corporation reserves the right to make improvements in design or changes in specification at any time without incurring any obligation to owners of equipment previously sold.

No agent or person has authority to alter, add to or waive the above warranties which are agreed to be in the only warranties, representations or promises, expressed or implied, as to the quality or performance of the products covered and which do not include any implied warranty of merchantability or fitness. In no event will Tiger be liable for incidental or consequential damages or injuries, including, but not limited to, loss of profits, rental or substitute equipment or other commercial loss.

**THERE ARE NO WARRANTIES WHICH EXTEND
BEYOND THOSE EXPRESSED HEREIN.**

It is the Purchasers obligation to sign the warranty registration form **AFTER** he / she has Read and Understands the Operation and Safety Instructions stated within this manual.

ONE LAST WORD

This manual cannot possibly cover all of the potentially hazardous situations you will encounter. By being familiar with the safety rules, operating and maintenance instructions in this manual you can help prevent accidents. The objective of this manual is to help make you a better operator. Remember, **SAFETY IS YOU!**



1012

Your safety and the safety of those around you depends on **YOU**. Common sense should play a large role in the operation of this machine.

Since we at Tiger Corporation are constantly striving to improve our products, we reserve the right to change specifications or design at any time.

TO THE OWNER / OPERATOR / DEALER



To keep your implement running efficiently and safely, read your manual thoroughly and follow these directions and the Safety Messages in this manual and on the machine. The table of contents clearly identifies each section where you can easily find the information you need.

The Occupational Safety and Health Act (OSHA 1928.51 subpart C) makes the following minimum requirements for tractor operators.

OWNER REQUIREMENTS:

1. Provide a Roll-Over-Protective Structure that meets the requirements of this Standard; and
2. Provide Seatbelts that meet the requirements of this Standard and SAE J3C; and
3. Ensure that each employee uses such Seatbelt while the tractor is moving; and
4. Ensure that each employee tightens the Seatbelt sufficiently to confine the employee to the protected area provided by the ROPS.

OPERATOR REQUIREMENTS:

1. Securely fasten seatbelt if the tractor has a ROPS.
2. Where possible, avoid operating the tractor near steep ditches, embankments, and holes.
3. Reduce speed when turning, crossing slopes, and on rough, slick, or muddy surfaces.
4. Stay off slopes too steep for safe operation.
5. Watch where you are going – especially at row ends, on roads, and around trees.
6. Do Not permit others to ride.
7. Operate the tractor smoothly – no jerky turns, starts, or stops.
8. Hitch only to the draw-bar and hitch points recommended by the tractor manufacturer.
9. When the tractor is stopped, set brakes securely and use park lock, if available



Printed in USA
© Tiger Corporation