



# SIDE ROTARY ASSEMBLIES

JD6105D

Current as of 06/22/2013

---

## PARTS LISTING WITH MOUNTING AND OPERATING INSTRUCTIONS

---

**Tiger Corporation**  
3301 N. Louise Ave.  
Sioux Falls, SD 57107  
1-800-843-6849  
1-605-336-7900  
[www.tiger-mowers.com](http://www.tiger-mowers.com)

**06011014**

# TO THE OWNER / OPERATOR / DEALER

All implements with moving parts are potentially hazardous. There is no substitute for a cautious, safe-minded operator who recognizes the potential hazards and follows reasonable safety practices. The manufacturer has designed this implement to be used with all its safety equipment properly attached to minimize the chance of accidents.

**BEFORE YOU START!!** Read the safety messages on the implement and shown in this manual. Observe the rules of safety and use common sense!

**READ AND UNDERSTAND THIS MANUAL! Non-English speaking operators will need to GET THE MANUAL TRANSLATED as needed!**



# DANGER

**FAILING TO FOLLOW SAFETY MESSAGES AND OPERATING INSTRUCTIONS CAN CAUSE SERIOUS BODILY INJURY OR EVEN DEATH TO OPERATOR AND OTHERS IN THE AREA.**



1. Study and understand Operator's Manuals, Safety Decals, and Instructional Decals for tractor and implement to prevent misuse, abuse, and accidents. Practice before operating in a confined area or near passersby.

● Learn how to stop engine suddenly in an emergency. Be alert for passersby and especially children

2. Allow no children on or near folding mower or tractor. Allow no riders on tractor or implement. Falling off may cause serious injury or death from being run over by tractor or mower or contact with rotating blades.

3. Operate only with tractor having Roll-Over Protective Structure (ROPS) and with seat belt securely fastened to prevent injury and possible death from falling off or tractor overturn.

● Personal Protective Equipment such as Hard Hat, Safety Glasses, Safety Shoes, & Ear Plugs are recommended.

4. Block up or support raised machine and all lifted components securely before putting hands or feet under or working underneath any lifted component to prevent crushing injury or death from sudden dropping or inadvertent operation of controls. Make certain area is clear before lowering or folding

5. Before transporting, put Lift Lever in detent or full-lift position. Install Transport Safety Devices securely on folding mowers. Put Booms securely in Transport Rest.

● Folding and Boom Mowers have raised center of gravity. Slow down when turning and on hillsides.

6. Make certain that SMV sign, warning lights, and reflectors are clearly visible. Follow local traffic codes.

7. Never operate with Cutting Head or Folding Section raised if passersby, bystanders, or traffic are in the area to reduce possibility of injury or death from objects thrown by Blades under Guards or mower structure.

8. Before dismounting, secure implement in transport position or lower to ground.

● Put tractor in park or set brake, disengage PTO, stop engine, remove key, and wait until noise of rotation has ceased to prevent crushing by entanglement in rotating parts which could cause injury or death.

● Never mount or dismount a moving vehicle. Crushing from rollover may cause serious injury or death.



02967827

Warranty Information: Read and understand the complete Warranty Statement found in this manual. Fill out the Warranty Registration form in full and return it within 90 days. Make certain the Serial Number of the machine is recorded on the Warranty Card, and form that you retain.

# FORWARD

This manual contains information about many features of the Tiger mowing and roadside maintenance equipment. Some of these include: Safety precautions, Assembly instructions, Operations, Maintenance and Parts. This manual will also assist you in the proper break-in, daily care, and troubleshooting of your new mower.

We recommend that you read carefully the entire manual before operating the unit. Also, time spent in becoming fully acquainted with its performance features, adjustments, and maintenance schedules will be repaid in a long and satisfactory life of the equipment.

## **Troubleshooting - Please, before you call, help us to help you!**

Please look at the equipment to observe what is happening, then:

- Classify the problem
  - Hydraulic, electrical or mechanical - Read the trouble shooting section
  - Tractor or Truck chassis - Contact vehicle dealer
  
- If unable to correct the problem yourself, contact your local Tiger Dealer after gathering:
  - Machine model \_\_\_\_\_
  - Serial number \_\_\_\_\_
  - Dealer name \_\_\_\_\_
  - Detailed information about the problem including results of troubleshooting

**Attention Owner / Operator / Dealer:** It is your obligation to read, and understand, the warranty information section located at the back of this manual denoting that the purchaser understands the safety issues relating to this machine and has received and will read a copy of this manual.

If at any time, you have a service problem with your Tiger mower, Contact your local dealer for service and parts needed.

MANUFACTURED BY:

**Tiger Corporation**

3301 N. Louise Ave.

Sioux Falls, SD 57107

1-800-843-6849

1-605-336-7900

www.tiger-mowers.com

DISTRIBUTED BY:

\_\_\_\_\_

1- \_\_\_\_\_ - \_\_\_\_\_ - \_\_\_\_\_

1- \_\_\_\_\_ - \_\_\_\_\_ - \_\_\_\_\_



# TABLE OF CONTENTS

SAFETY SECTION_____	1
ASSEMBLY / MOUNTING SECTION_____	2
OPERATION SECTION_____	3
MAINTENANCE SECTION_____	4
PARTS SECTION_____	5
COMMON PARTS SECTION_____	6
WARRANTY INFORMATION_____	7



1012

**This symbol means:**

**CAUTION – YOUR SAFETY IS AT RISK!**

When you see this symbol, read and follow the associated instructions carefully or personal injury or damage may result.

Tiger is a registered trademark.





# **SAFETY SECTION**

# SAFETY

## General Safety Instructions and Practices

A safe and careful operator is the best operator. Safety is of primary importance to the manufacturer and should be to the owner / operator. Most accidents can be avoided by being aware of your equipment, your surroundings, and observing certain precautions. The first section of this manual includes a list of Safety Messages that, if followed, will help protect the operator and bystanders from injury or death. Read and understand these Safety Messages before assembling, operating or servicing this mower. This equipment should only be operated by those persons who have read the Manual, who are responsible and trained, and who know how to do so safely and responsibly.



The Safety Alert Symbol combined with a Signal Word, as seen below, is used throughout this manual and on decals which are attached to the equipment. The Safety Alert Symbol means: “**ATTENTION! BECOME ALERT! YOUR SAFETY IS INVOLVED!**” The symbol and signal word are intended to warn the owner / operator of impending hazards and the degree of possible injury when operating this equipment.

**Practice all usual and customary safe working precautions and above all -- remember safety is up to YOU! Only YOU can prevent serious injury or death from unsafe practices.**

DANGER!



Indicates an imminently hazardous situation that, if not avoided, WILL result in DEATH OR VERY SERIOUS INJURY.

WARNING!



Indicates an imminently hazardous situation that, if not avoided, COULD result in DEATH OR SERIOUS INJURY.

CAUTION!



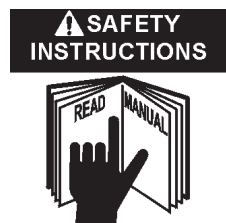
Indicates an imminently hazardous situation that, if not avoided, MAY result in MINOR INJURY.

**IMPORTANT!**

Identifies special instructions or procedures that, if not strictly observed, could result in damage to, or destruction of the machine, attachments or the environment.

**NOTE:** *Identifies points of particular interest for more efficient or convenient operation or repair.* (SG-1)

READ, UNDERSTAND, and FOLLOW the following Safety Messages. Serious injury or death may occur unless care is taken to follow the warnings and instructions stated in the Safety Messages. Always use good common sense to avoid hazards. (SG-2)





# SAFETY

SAFETY

**PELIGRO!**



Si no lee Ingles, pida ayuda a alguien qui si lo lea para que le traduzca las medida de seguridad. (SG-3)

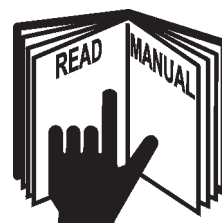


**¡ LEA EL INSTRUCTIVO!**

**DANGER!**



Never operate the Tractor or Implement until you have read and completely understand this Manual, the Tractor Operator's Manual, and each of the Safety Messages found in the Manual or on the Tractor and Implement. Learn how to stop the tractor engine suddenly in an emergency. Never allow inexperienced or untrained personnel too operate the Tractor and Implement without supervision. Make sure the operator has fully read and understood the manuals prior to operation. (SG-4)



**WARNING!**

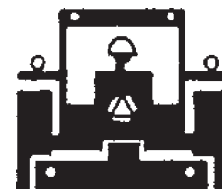


Always maintain the safety decals in good readable condition. If the decals are missing, damaged, or unreadable, obtain and install replacement decals immediately. (SG-5)

**WARNING!**



Make certain that the "Slow Moving Vehicle" (SMV) sign is installed in such a way as to be clearly visible and legible. When transporting the Equipment use the Tractor flashing warning lights and follow all local traffic regulations. (SG-6)



**WARNING!**



Operate this Equipment only with a Tractor equipped with an approved roll-over-protective system (ROPS). Always wear seat belts. Serious injury or even death could result from falling off the tractor--particularly during a turnover when the operator could be pinned under the ROPS. (SG-7)



**WARNING!**

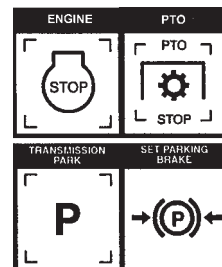


Do not modify or alter this Implement. Do not permit anyone to modify or alter this Implement, any of its components or any Implement function. (SG-8)

**DANGER!**



**BEFORE** leaving the tractor seat, always engage the brake and/or set the tractor transmission in parking gear, disengage the PTO, stop the engine, remove the key, and wait for all moving parts to stop. Place the tractor shift lever into a low range or parking gear to prevent the tractor from rolling. Never dismount a Tractor that is moving or while the engine is running. Operate the Tractor controls from the tractor seat only. (SG-9)



# SAFETY

SAFETY

**DANGER!**



Never allow children or other persons to ride on the Tractor or Implement. Falling off can result in serious injury or death.

(SG-10)



**DANGER!**



Never allow children to operate or ride on the Tractor or Implement.

(SG-11)



**WARNING!**



Do not mount the Tractor while the tractor is moving. Mount the Tractor only when the Tractor and all moving parts are completely stopped.

(SG-12)



**DANGER!**



Start tractor only when properly seated in the Tractor seat. Starting a tractor in gear can result in injury or death. Read the Tractor operators manual for proper starting instructions. (SG-13)



**DANGER!**



Never work under the Implement, the framework, or any lifted component unless the Implement is securely supported or blocked up to prevent sudden or inadvertent falling which could cause serious injury or even death. (SG-14)



**DANGER!**



Do not operate this Equipment with hydraulic oil leaking. Oil is expensive and its presence could present a hazard. Do not check for leaks with your hand! Use a piece of heavy paper or cardboard. High-pressure oil streams from breaks in the line could penetrate the skin and cause tissue damage including gangrene. If oil does penetrate the skin, have the injury treated immediately by a physician knowledgeable and skilled in this procedure. (SG-15)

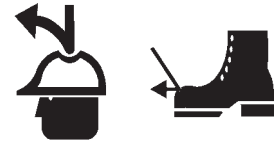


# SAFETY

## WARNING!



The operator and all support personnel should wear hard hats, safety shoes, safety glasses, and proper hearing protection at all times for protection from injury including injury from items thrown by the equipment. (SG-16)



## CAUTION!



**PROLONGED EXPOSURE TO LOUD NOISE MAY CAUSE PERMANENT HEARING LOSS!** Tractors with or without an Implement attached can often be noisy enough to cause permanent hearing loss. We recommend that you always wear hearing protection if the noise in the Operator's position exceeds 80db. Noise over 85db over an extended period of time will cause severe hearing loss. Noise over 90db adjacent to the Operator over an extended period of time will cause permanent or total hearing loss. *Note:* Hearing loss from loud noise [from tractors, chain saws, radios, and other such sources close to the ear] is cumulative over a lifetime without hope of natural recovery. (SG-17)



## WARNING!



**Transport only at safe speeds. Serious accidents and injuries can result from operating this equipment at unsafe speeds. Understand the Tractor and Implement and how it handles before transporting on streets and highways. Make sure the Tractor steering and brakes are in good condition and operate properly.**



Before transporting the Tractor and Implement, determine the safe transport speeds for you and the equipment. Make sure you abide by the following rules:

1. **Test the tractor at a slow speed and increase the speed slowly. Apply the Brakes smoothly to determine the stopping characteristics of the Tractor and Implement. As you increase the speed of the Tractor the stopping distance increases. Determine the maximum safe transport speed for you and this Equipment.**
2. **Test the equipment at a slow speed in turns. Increase the speed through the turn only after you determine that it is safe to operate at a higher speed. Use extreme care and reduce your speed when turning sharply to prevent the tractor and implement from turning over. Determine the maximum safe turning speed for you and this equipment before operating on roads or uneven ground. Only transport the Tractor and Implement at the speeds that you have determined are safe and which allow you to properly control the equipment.**
3. **Be aware of the operating conditions. Do not operate the Tractor with weak or faulty brakes. When operating down a hill or on wet or rain slick roads, the braking distance increases: use extreme care and reduce your speed. When operating in traffic always use the Tractor's flashing warning lights and reduce your speed. Be aware of traffic around you and watch out for the other guy.** (SG-19)



# SAFETY

SAFETY

**WARNING!**



Never attempt to lubricate, adjust, or remove material from the Implement while it is in motion or while tractor engine is running. Make sure the tractor engine is off before working on the Implement.

(SG-20)

**WARNING!**



Periodically inspect all moving parts for wear and replace when necessary with authorized service parts. Look for loose fasteners, worn or broken parts, and leaky or loose fittings. Make sure all pins have cotter pins and washers. Serious injury may occur from not maintaining this machine in good working order. (SG-21)



**WARNING!**



Always read carefully and comply fully with the manufacturers instructions when handling oil, solvents, cleansers, and any other chemical agent. (SG-22)



**DANGER!**



Never run the tractor engine in a closed building or without adequate ventilation. The exhaust fumes can be hazardous to your health.

(SG-23)

**DANGER!**



**KEEP AWAY FROM ROTATING ELEMENTS** to prevent entanglement and possible serious injury or death.

(SG-24)



**DANGER!**



Never allow children to play on or around Tractor or Implement. Children can slip or fall off the Equipment and be injured or killed. Children can cause the Implement to shift or fall crushing themselves or others. (SG-25)

**DANGER!**



**DO NOT** allow any person under a folded wing unless wing is securely locked up or supported. **DO NOT** approach the Implement unless the Tractor is turned off and all motion has ceased. Never work under the frame work, or any lifted component unless the implement is securely supported or blocked up. A sudden or inadvertent fall by any of these components could cause serious injury or even death. (STI-3)



# SAFETY

**CAUTION!**



On a fully-assembled unit, do not remove the Wing Retaining Strap until hoses are attached to the tractor and the Wing Cylinders are filled with oil. Lower the Wings slowly and carefully. Keep bystanders away during operations. (STI-5)

**DANGER!**



**NEVER use drugs or alcohol** immediately before or while operating the Tractor and Implement. Drugs and alcohol will affect an operator's alertness and coordination and therefore affect the operator's ability to operate the equipment safely. Before operating the Tractor or Implement, an operator on prescription or over-the-counter medication must consult a medical professional regarding any side effects of the medication that would hinder their ability to operate the Equipment safely. **NEVER** knowingly allow anyone to operate this equipment when their alertness or coordination is impaired. Serious injury or death to the operator or others could result if the operator is under the influence of drugs or alcohol. (SG-27)



**DANGER!**



Operate the Tractor and/or Implement controls only while properly seated in the Tractor seat with the seat belt securely fastened around you. Inadvertent movement of the Tractor or Implement may cause serious injury or death. (SG-29)

**WARNING!**



Mow only in conditions where you have clear visibility in daylight or with adequate artificial lighting. Never mow in darkness or foggy conditions where you cannot clearly see at least 100 yards in front and to the sides of the tractor and mower. Make sure that you can clearly see and identify passersby, steep slopes, ditches, drop-offs, overhead obstructions, power lines, debris and foreign objects. If you are unable to clearly see this type of items discontinue mowing. (SGM-1)

**DANGER!**



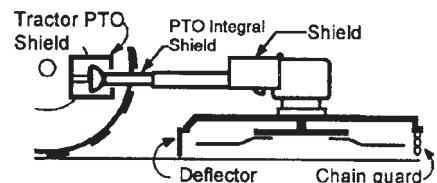
There are obvious and hidden potential hazards in the operation of this Mower. **REMEMBER!** This machine is often operated in heavy brush and in heavy weeds. The Blades of this Mower can throw objects if shields are not properly installed and maintained. Serious injury or even death may occur unless care is taken to insure the safety of the operator, bystanders, or passersby in the area. Do not operate this machine with anyone in the immediate area. Stop mowing if anyone is within 100 yards of mower. (SGM-2)



**DANGER!**



All Safety Shields, Guards and Safety devices including (but not limited to) - the Deflectors, Chain Guards, Steel Guards, Gearbox Shields, PTO integral shields, and Retractable Door Shields should be used and maintained in good working condition. All safety devices should be inspected carefully at least daily for missing or broken components. Missing, broken, or worn items must be replaced at once to reduce the possibility of injury or death from thrown objects, entanglement, or blade contact. (SGM-3)



# SAFETY

SAFETY

## DANGER!



The rotating parts of this machine have been designed and tested for rugged use. However, the blades could fail upon impact with heavy, solid objects such as metal guard rails and concrete structures. Such impact could cause the broken objects to be thrown outward at very high velocities. To reduce the possibility of property damage, serious injury, or even death, never allow the cutting blades to contact such obstacles. (SGM-4)

## WARNING!



Extreme care should be taken when operating near loose objects such as gravel, rocks, wire, and other debris. Inspect the area before mowing. Foreign objects should be removed from the site to prevent machine damage and/or bodily injury or even death. Any objects that cannot be removed must be clearly marked and carefully avoided by the operator. Stop mowing immediately if blades strike a foreign object. Repair all damage and make certain rotor or blade carrier is balanced before resuming mowing. (SGM-5)



## WARNING!



Many varied objects, such as wire, cable, rope, or chains, can become entangled in the operating parts of the mower head. These items could then swing outside the housing at greater velocities than the blades. Such a situation is extremely hazardous and could result in serious injury or even death. Inspect the cutting area for such objects before mowing. Remove any like object from the site. Never allow the cutting blades to contact such items. (SGM-6)

## WARNING!



Mow at the speed that you can safely operate and control the tractor and mower. Safe mowing speed depends on terrain condition and grass type, density, and height of cut. Normal ground speed range is from 0 to 5 mph. Use slow mowing speeds when operating on or near steep slopes, ditches, drop-offs, overhead obstructions, power lines, or when debris and foreign objects are to be avoided. (SGM-7)

## WARNING!



Avoid mowing in reverse direction when possible. Check to make sure there are no persons behind the mower and use extreme care when mowing in reverse. Mow only at a slow ground speed where you can safely operate and control the tractor and mower. Never mow an area that you have not inspected and removed debris or foreign material. (SGM-8)

## WARNING!



Do not put hands or feet under mower decks. Blade Contact can result serious injury or even death. Stay away until all motion has stopped and the decks are securely blocked up. (SGM-9)



## DANGER!



Replace bent or broken blade with new blades. NEVER ATTEMPT TO STRAIGHTEN OR WELD ON BLADES SINCE THIS WILL LIKELY CRACK OR OTHERWISE DAMAGE THE BLADE WITH SUBSEQUENT FAILURE AND POSSIBLE SERIOUS INJURY FROM THROWN BLADES. (SGM-10)

## WARNING!



Do not mow with two machines in the same area except with Cab tractors with the windows closed. (SGM-11)

# SAFETY

**DANGER!**



Rotary Mowers are capable under adverse conditions of throwing objects for great distances (100 yards or more) and causing serious injury or death. Follow safety messages carefully.

**STOP MOWING IF PASSERSBY ARE WITHIN 100 YARDS UNLESS:**

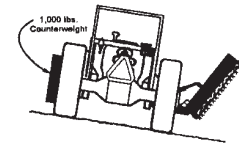
- Front and Rear Deflectors are installed and in good, working condition;
- Mower Head is running close to and parallel to the ground without exposed Blades;
- Passersby are outside the existing thrown-object zone;
- All areas have been thoroughly inspected and all foreign material such as rocks, cans, glass, and general debris has been removed.

**NOTE:** Where there are grass and weeds high enough to hide debris that could be struck by the blades, the area should be: inspected and large debris removed, mowed at an intermediate height, inspected closely with any remaining debris removed, and mowed again at desired final height. (SBM-1)

**WARNING!**



Each Rear Wheel must have a minimum of 1,000 pounds contact with the surface to prevent lateral instability and possible tip-over which could result in serious bodily injury or even death. Widen the wheel tread and add weights if needed. Refer to the mounting instructions or call Customer Service if you need assistance with Counterweight Procedure. (SFL-3)



**WARNING!**



Do not operate Mower if excessive vibration exists. Shut down PTO and the Tractor engine. Inspect the Mower to determine the source of the vibration. If Mower blades are missing or damaged replace them immediately. Do not operate the mower until the blades have been replaced and the Mower operates smoothly. Operating the Mower with excessive vibration can result in component failure and broken objects to be thrown outward at very high velocities. To reduce the possibility of property damage, serious injury, or even death, never allow the Mower to be operated with blades missing. (SFL-4)

**WARNING!**



Do not let the Blades turn when the Mower Deck is raised for any reason, including clearance or for turning. Raising the Mower deck exposes the Cutting Blades which creates a potentially serious hazard and could cause serious injury or even death from objects thrown from the Blades. (SRM-7)



**DANGER!**



Use extreme caution when raising the Mower head. Stop the Blades from turning when the Mower Head is raised and passersby are within 100 yards. Raising the Mower head exposes the Cutting Blades which creates a potentially serious hazard and can cause serious injury by objects thrown from the Blades or by contact with the Blades.

(SBM-2)



# SAFETY

## SAFETY

### WARNING!



Never leave the Tractor and Implement unattended while the Implement is in the lifted position. Accidental operation of lifting lever or a hydraulic failure may cause sudden drop of unit with injury or death by crushing. To properly park the implement when disconnecting it from the tractor, lower the stand and put the retaining pin securely in place, or put a secure support under the A-Frame. Lower the implement carefully to the ground. Do not put hands or feet under lifted components. (S3PT-1)

### WARNING!

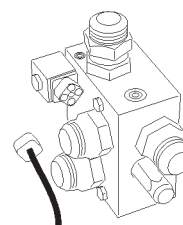


Relieve hydraulic pressure prior to doing any maintenance or repair work on the Implement. Place the Mower Head on the ground or securely supported on blocks or stands, disengage the PTO, and turn off the engine. Push and pull the control Levers or Joystick several times to relieve pressure prior to starting any maintenance or repair work. (SBM-6)

### DANGER!



Always disconnect the wire leads from the mower valve solenoid before performing service on the Tractor or Mower. Use caution when working on the Tractor or Mower. Tractor engine must be stopped before working on Mower or Tractor. The Mower Blades could inadvertently be turned on without warning and cause immediate dismemberment, injury or death. (SBM-12)



### WARNING!



Use extreme care when lowering or unfolding the implement's wings. Make sure no bystanders are close by or underneath the wings. Allow ample clearance around the implement when folding or unfolding the wings. Use extreme caution around buildings or overhead power lines.

(S3PT-

5)

### WARNING!



Relieve hydraulic pressure prior to doing any maintenance or repair work on the Implement. Place the Implement on the ground or securely blocked up, disengage the PTO, and turn off the tractor engine. Push and pull the Remote Cylinder lever in and out several times prior to starting any maintenance or repair work. (S3PT-9)



### DANGER!



This Implement is wider than the Tractor. Be careful when operating or transporting this equipment to prevent the Implement from running into or striking sign posts, guard rails, concrete abutments or other solid objects. Such an impact could cause the Implement and Tractor to pivot violently resulting in loss of steering control, serious injury, or even death. Never allow the Implement to contact obstacles. (S3PT-12)

### DANGER!



The flail cutter shaft is designed for standard rotation (same rotation as the tractor wheel during forward travel). **Never operate the cutter shaft in the reverse rotation.** Operating this mower in reverse rotation may cause objects to be thrown out the front of the mower head.





# SAFETY

SAFETY

**WARNING!**



The rotating parts of this machine continue to rotate even after the Tractor has been turned off. The operator should remain in his seat for 60 seconds after the brake has been set, the PTO disengaged, the tractor turned off, and all evidence of rotation has ceased. (SBM-5)

**“Wait a minute...Save a life!”**

**WARNING!**



Engine Exhaust, some of its constituents, and certain components contain or emit chemicals known to the state of California to cause cancer and birth or other reproductive harm.

**WARNING!**



Battery post, terminals and related accessories contain lead and lead compounds, chemicals known to the state of California to cause cancer and birth or other reproductive harm. **Wash hands after handling!**

**Tiger mowers use balanced and matched system components for blade carriers, blades, cutter-shafts, knives, knife hangers, rollers, drive-train components and bearings. These parts are made and tested to Tiger specifications. Non-genuine “will fit” parts do not consistently meet these specifications. The use of “will fit” parts may reduce mower performance, void mower warranties and present a safety hazard. Use genuine Tiger mower parts for economy and safety.**

SEE YOUR

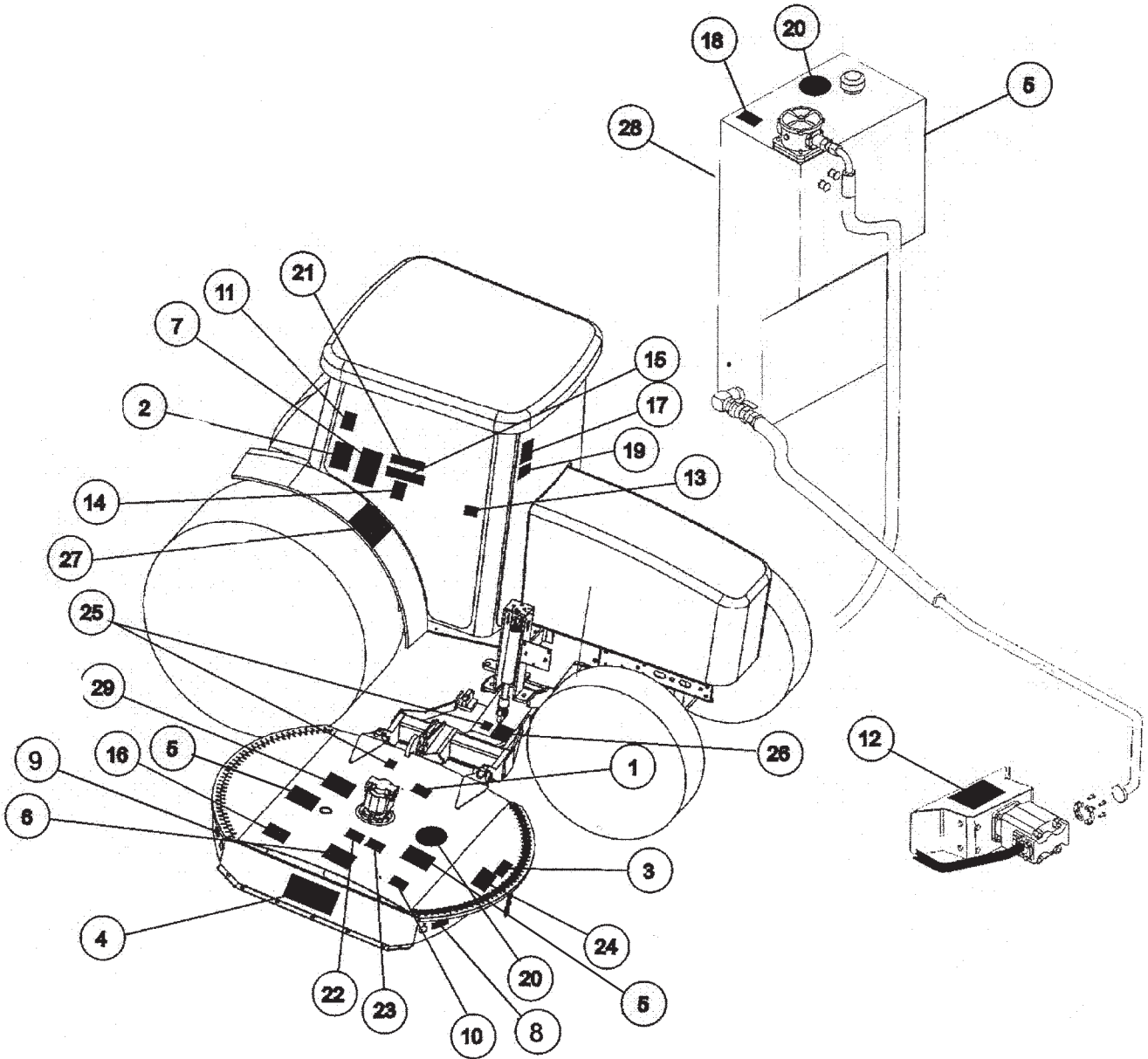


DEALER

In addition to the design and configuration of this Implement, including Safety Signs and Safety Equipment, hazard control and accident prevention are dependent upon the awareness, concern, prudence, and proper training of personnel involved in the operation, transport, maintenance, and storage of the machine. Refer also to Safety Messages and operation instruction in each of the appropriate sections of the Tractor and Equipment Manuals. Pay close attention to the Safety Signs affixed to the Tractor and Equipment. (SG-18)

# SAFETY

SAFETY



# SAFETY

**SAFETY**

ITEM	PART NO.	QTY.		DESCRIPTION
1	22839	1	INSTRUCT	Don Not Lubricate With Automatic Grease Gun
2	22840	1	WARNING	Foreign Objects Contacted
3	24028	1	WARNING	Inspect Rear Flap
4	31522	1	LOGO	TIGER MOWERS
5	31523	3	LOGO	TIGER MOWERS
6	42350	1	DANGER	Cuttershaft Direction
7	33743	1	INSTRUCT	Mowing Safet Tips
8	42399	1	REFLECT	Red Reflector
9	42400	1	REFLECT	Amber Reflector
10	6T3217	1	DANGER	Keep Hands and Feet Clear
11	6T3219	1	WARNING	Read Operators and Maintenance Manuals
12	6T3220	1	INTRUCT	Lubricate Pump, Driveshaft Daily
13	6T3221	1	CAUTION	Lubricate Spindle When Mower and Tractor Off
14	6T3222	1	INSTRUCT	Engine will not start when mower is engaged
15	1059	1	INSTRUCT	Mower Positions
16	6T3224	1	DANGER	Stay Clear, Discharge Opening
17	6T3230	1	WARNING	Don't Operate with Bystanders in Area
18	6T3233	1	CAUTION	DONOT Start or Run with Valves closed
19	6T3234	1	CAUTION	Check Crankshaft Adapter Daily
20	6T3236	1	LOGO	Made In USA
21	6T3243	1	WARNING	Replace Bolts and Locknut if damaged
22	6T3249A	1	INSTRUCT	Grease Inst. Cuttershaft Bearing
23	6T3261	1	INSTRUCT	Grease Inst. Ground Roller Bearing
24	TB1011	1	WARNING	Do Not Work Mower with Safety Shiel Removed
25	02962764	1	WARNING	Pinch Point
26	02965262	1	WARNING	Hydraulic Hose Repair
27	02967827	1	DANGER	Multi Warn Messages
28	34852	1	INSTRUCT	Hydraulic Specifications
29	00756059	1	WARNING	Check Hydraulic Hose with Cardboard

# SAFETY

SAFETY

**DO NOT LUBRICATE WITH AUTOMATIC GREASE GUN. GREASE WITH HAND GREASE GUN ONLY.**

P/N22839

PART NO.  
LOCATION

22839  
MOWER DECK



22840  
INSIDE OF CAB

## **WARNING**

**INSPECT REAR FLAP FREQUENTLY TO BE SURE IT IS IN SAFE WORKING CONDITION. DO NOT OPERATE MOWER WITH FLAP REMOVED OR WORN.**

24028

24028  
MOWER DECK



10"X5.5" 31522  
MOWER DECK

18.25"X10" 31523  
HYDRAULIC TANK

# SAFETY

**⚠ DANGER**

TO AVERT THROWN OBJECTS,  
CUTTER SHAFT MUST TURN IN THIS



**DIRECTION**

PART NO.  
LOCATION

42350  
MOWER DECK

**MOWING SAFETY TIPS** ⚠

- ▶ Read & understand the Operator's Manual.
- ▶ Wear Your Seat Belt.
- ▶ Keep all shields and guards in place.
- ▶ Make sure equipment is in proper working order.
- ▶ Never attempt to get off or on a moving truck.
- ▶ Never allow riders on truck or equipment.
- ▶ Only start the truck from the seat with the key.
- ▶ Always inspect the area before mowing.  
Remove all foreign debris.
- ▶ Always keep bystanders and coworkers a minimum of 300 feet away.
- ▶ Never allow the mower blades to contact solid objects or foreign material.
- ▶ Never approach rotating elements.
- ▶ Disengage mower head. Shut down Aux. Engine place transmission in park, set parking brake, shut off truck engine, and remove key. Wait till all rotating motion has stopped before leaving seat.



33743  
INSIDE OF CAB

5



42399  
MOWER DECK



42400  
MOWER DECK

**SAFETY**

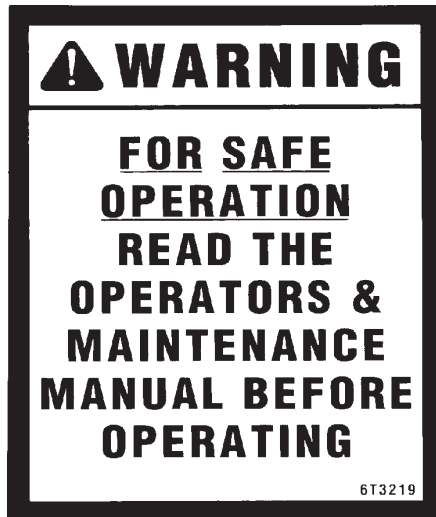
# SAFETY

SAFETY



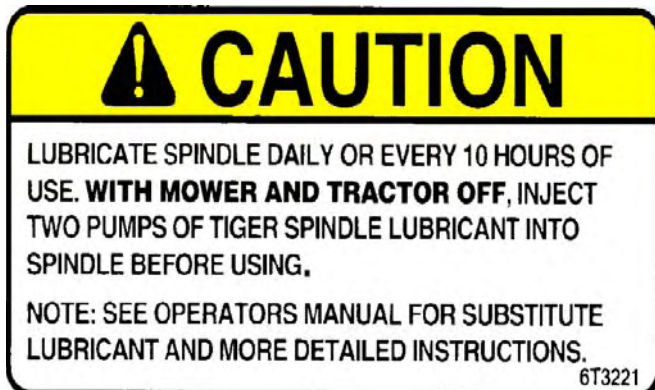
PART NO.  
LOCATION

6T3217  
MOWER DECK



6T3219  
INSIDE OF CAB

6T3220  
FRONT PUMP MOUNT



6T3221  
INSIDE OF CAB

29-6T3221

# SAFETY

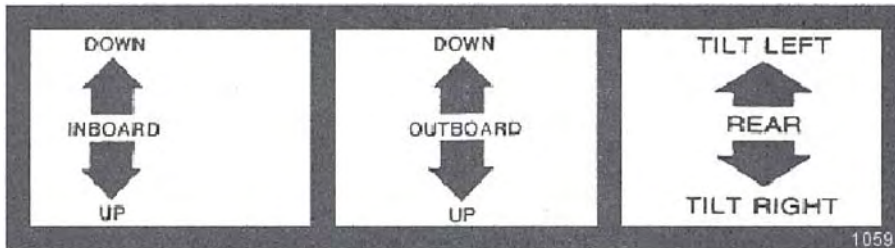
**NOTICE:**  
Engine will not  
start when mower  
is engaged.



6T3222

PART NO.  
LOCATION

6T3233  
INSIDE OF CAB



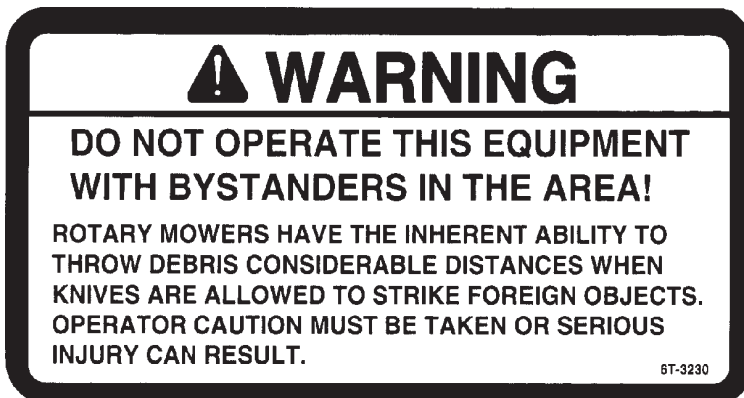
1059

1059

6T3234  
INSIDE OF CAB



6T3236  
MOWER DECK



6T-3230

6T3243  
INSIDE OF CAB

SAFETY

# SAFETY

SAFETY

PART NO.  
LOCATION



6T3233  
HYDRAULIC TANK



6T3234  
INSIDE OF CAB



6T3236  
MOWER DECK  
HYDRAULIC TANK

6T3243  
INSIDE OF CAB



# SAFETY

PART NO.  
LOCATION

## GREASING INSTRUCTIONS

**GROUND SHAFT BEARING**  
GREASE EVERY 8 HRS. OR DAILY

NOTE: If unusual environmental conditions exist; extreme temperatures, moisture, or contaminants more frequent lubrication is required.

6T3249A

6T3249A  
MOWER DECK

## GREASING INSTRUCTIONS

**GROUND ROLLER BEARING**  
GREASE EVERY 8 HRS. OR DAILY

NOTE: If unusual environmental conditions exist; extreme temperatures, moisture, or contaminants more frequent lubrication is required.

6T3261

6T3261  
MOWER DECK

## **WARNING**

**DO NOT OPERATE MOWER  
WITH SAFETY SHIELD REMOVED.**

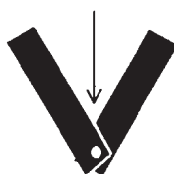
TB1011

TB1011  
MOWER DECK



## **WARNING**

**PINCH POINTS**



02962764

02962764  
MOWER DECK  
DRAFT BEAM

**SAFETY**

# SAFETY

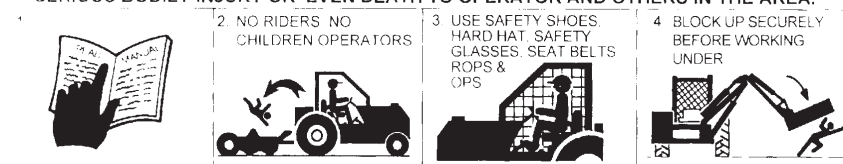
SAFETY

PART NO.  
LOCATION

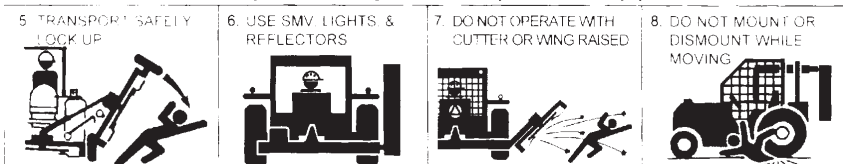
02965262  
DRAFT BEAM

## DANGER

FAILING TO FOLLOW SAFETY MESSAGES AND OPERATING INSTRUCTIONS CAN CAUSE SERIOUS BODILY INJURY OR EVEN DEATH TO OPERATOR AND OTHERS IN THE AREA.



1. Study and understand Operator's Manuals, Safety Decals, and Instructional Decals for tractor and implement to prevent misuse, abuse, and accidents. Practice before operating in a confined area or near passersby.
  - Learn how to stop engine suddenly in an emergency. Be alert for passersby and especially children.
2. Allow no children on or near folding mower or tractor. Allow no riders on tractor or implement. Falling off may cause serious injury or death from being run over by tractor or mower or contact with rotating blades.
3. Operate only with tractor having Roll-Over Protective Structure (ROPS) and with seat belt securely fastened to prevent injury and possible death from falling off or tractor overturn.
  - Personal Protective Equipment such as Hard Hat, Safety Glasses, Safety Shoes, & Ear Plugs are recommended.
4. Block up or support raised machine and all lifted components securely before putting hands or feet under or working underneath any lifted component to prevent crushing injury or death from sudden dropping or inadvertent operation of controls. Make certain area is clear before lowering or folding.
5. Before transporting, put Lift Lever in detent or full-lift position. Install Transport Safety Devices securely on folding mowers. Put Booms securely in Transport Rest.
  - Folding and Boom Mowers have raised center of gravity. Slow down when turning and on hillsides.
6. Make certain that SMV sign, warning lights, and reflectors are clearly visible. Follow local traffic codes.
7. Never operate with Cutting Head or Folding Section raised if passersby, bystanders, or traffic are in the area to reduce possibility of injury or death from objects thrown by Blades under Guards or mower structure.
8. Before dismounting, secure implement in transport position or lower to ground.
  - Put tractor in park or set brake, disengage PTO, stop engine, remove key, and wait until noise of rotation has ceased to prevent crushing by entanglement in rotating parts which could cause injury or death.
  - Never mount or dismount a moving vehicle. Crushing from rollover may cause serious injury or death.



02967827  
CAB FENDER

# SAFETY



**Tiger Corporation**

800-843-6849

www.tiger-mowers.com

**SAFETY**

Description	Application	General Specification	Recommended Lubricant
Tractor Hydraulics	Reservoir	JD-20C	Mobilfluid® 424
Mower Hydraulics Cold Temperatures 0°F Start-up  Normal Temperatures 10°F Start-up Normal Temperatures 15°F Start-up High Operating Temperatures Above 90°F Ambient	Reservoir	ISO 46 Anti-Wear/ Low Temp JD-20C ISO 46 Anti-Wear ISO 100 Anti-Wear	Mobil DTE® 15M  Mobilfluid® 424 Mobil DTE® 25 Mobil DTE® 18M
Flail Rear Gearbox	Reservoir	PAO Synthetic Extreme Pressure Gear Lube	Mobilube SHC® 75W-90, Mobil 1 Synthetic Gear Lubricant
Cutter Shaft and Ground Roller Shaft (Flail)	Grease Gun	Lithium Complex, NLGI 2 ISO 320	Mobilgrease® CM-S
Drive Shaft Coupler (Rotary and Flail) Drive Shaft Yoke, U - Joint and Stub Shaft	Grease Gun	Lithium Complex, NLGI 2 ISO 320	Mobilgrease® CM-S
Boom Swivel, Boom Cylinder Pivots (Rotary and Flail Boom Type)	Grease Gun	Lithium Complex, NLGI 2 ISO 320	Mobilgrease® CM-S
Deck Boom Pivot & Deck Stop Adjustment (Rotary and Flail)	Grease Gun	Lithium Complex, NLGI 2 ISO 320	Mobilgrease® CM-S
Deck Spindle (Rotary)	Grease Gun	Tiger Spindle Lubricant	Tiger Part #25351

**For Mobil product information, availability, or technical information, call 1-800-662-4525.**

Tiger PN 34852

34852  
HYDRAULIC TANK

## WARNING

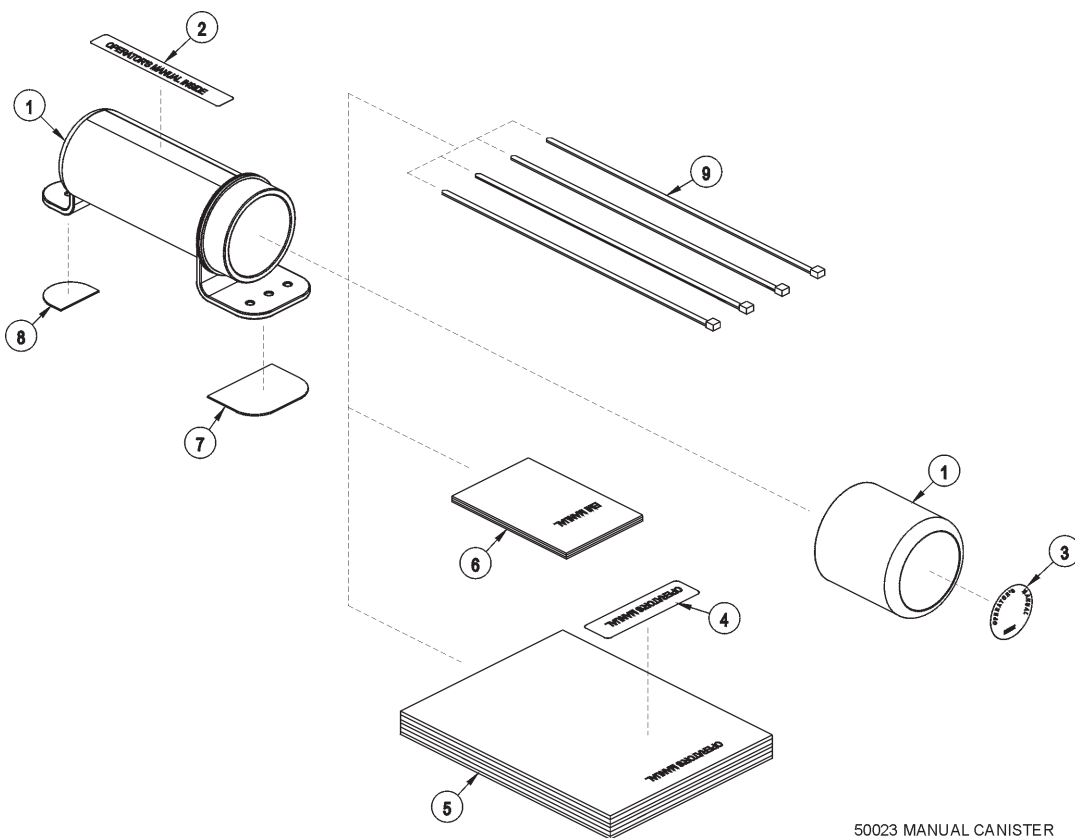
USE PAPER OR CARDBOARD TO CHECK FOR LEAKS. **NEVER USE YOUR HAND.** IF OIL PENETRATES SKIN, GANGRENE OR OTHER SERIOUS INJURY COULD OCCUR. **GET IMMEDIATE MEDICAL ATTENTION.**  
See Operator's Manual.

00756059

00756059  
MOWER DECK

# SAFETY

SAFETY



50023 MANUAL CANISTER

ITEM	PART NO.	QTY.	DESCRIPTION
	<b>50023</b>	<b>AVAIL</b>	<b>MANUAL CANISTER COMPLETE</b>
1	00776031	1	Round Manual Canister
	33997	1	Decal, Sheet, Manual Canister
2		*	Decal
3		*	Decal
4		*	Decal
5	*	AVAIL	Specification Product Manual
6	33753	1	EMI Safety Manual
7	34296	1	Front Adhesive Pad
8	34297	1	Rear Adhesive Pad
9	6T1823	4	Zip Tie 14" Long

**NOTE:**

The manual canister can be bolted, zip tied or adhered to a variety of surfaces. Locate a protected area within the view of the operator. Then select an installation method and attach the canister. **CAUTION-AVOID DRILLING HOLES INTO UNKNOWN AREAS**, wires and other parts may be located behind these areas. When adhering the canister to a surface, thoroughly clean that surface before installing the canister.

# SAFETY

## FEDERAL LAWS AND REGULATIONS

This section is intended to explain in broad terms the concept and effect of federal laws and regulations concerning employer and employee equipment operators. This section is not intended as a legal interpretation of the law and should not be considered as such.

### Employer-Employee Operator Regulations

U.S. Public Law 91-596 (The Williams-Steiger Occupational and Health Act of 1970) OSHA

#### This Act Seeks:

“...to assure so far as possible every working man and woman in the nation safe and healthful working conditions and to preserve our human resources...”

#### DUTIES

Sec. 5 (a) Each employer-

(1) shall furnish to each of his employees employment and a place of employment which are free from recognized hazards that are causing or are likely to cause death or serious physical harm to his employees;

(2) shall comply with occupational safety and health standards promulgated under this Act.

(b) Each employee shall comply with occupational safety and health standards and all rules, regulations and orders issued pursuant to this Act which are applicable to his own actions and conduct.

#### OSHA Regulations

OSHA regulations state in part: “At the time of initial assignment and at least annually thereafter, the employer shall instruct every employee in the safe operation and servicing of all equipment with which the employee is, or will be involved.”

#### Employer Responsibilities:

To ensure employee safety during Truck and Implement operation, it is the employer’s responsibility to:

1. Train the employee in the proper and safe operation of the Truck and Implement.
2. Require that the employee read and fully understand the Truck and Implement Operator’s manual.
3. Permit only qualified and properly trained employees to operate the Truck and Implement.
4. Maintain the Truck and Implement in a safe operational condition and maintain all shields and guards on the equipment.
5. Ensure the Truck is equipped with functional seat belts and require that the employee operator securely fasten the safety belts at all times.
6. Forbid the employee operator to carry additional riders on the Truck.
7. Provide the required tools to maintain the Truck and Implement in a good safe working condition and provide the necessary support devices to secure the equipment safely while performing repairs and service.

#### Child Labor Under 16 Years of Age

Some regulations specify that no one under the age of 16 may operate power machinery. It is your responsibility to know what these regulations are in your own area or situation. (Refer to U.S. Dept. of Labor, Employment Standard Administration, Wage & Home Division, Child Labor Bulletin #102.)

# SAFETY

SAFETY

# ASSEMBLY SECTION

# ASSEMBLY

**Before attempting to mount your Tiger mower, it is important to read and understand all of the safety messages in the Safety Section of this manual.**

Check complete shipment list against the packing list to make sure there are no shortages. Make certain the tractor model is the appropriate one for the mower received!



Always use a floor jack, hoist or fork lift to lift and raise heavy parts.

Read and understand the entire Assembly Section instructions before attempting to mount your Tiger mower. Refer to the Parts Section of this manual for detailed illustrations to locate all parts. (ASM-C-0001)

## TRACTOR PREPARATION

- A. Remove right and left hand steps.
- B. Disconnect battery cables from both batteries.
- C. Remove engine side panels, or raise hood to access front pulley.
- D. Remove plugs from tractor casting where mainframe and pump mount will be attached.
- E. Remove any front weights and weight supports.
- F. Raise the tractor onto jack-stands and remove the right and left rear wheels.

(ASM-JD-0001)

## MAINFRAME INSTALLATION

With an overhead hoist and / or jack-stands, raise one side of the frame up to the correctly matching mounting holes. Install capscrews and other hardware to secure the sides of the mainframe to the tractor casting, as shown on the tractor mount kit page in the Parts Section. **DO NOT** tighten at this time. Remove the capscrews one at a time and apply a thread locking agent. Reinsert the capscrews and tighten / torque to values noted in the torque chart located in the Maintenance Section of this manual. (ASM-C-0003)





# ASSEMBLY

## CRANKSHAFT ADAPTER

For JD6xxxD tractors with a front pump mount, install the John Deere pulley kit P/N: SJ23950 and follow the instructions. (ASM-JD-0250)

## DRIVESHAFT AND FRONT PUMP MOUNTING

Install driveshaft into the crankshaft adapter.

Slide splined driveshaft coupler onto the pump driveshaft. Install the pump onto the mounting bracket. NOTE: the pump is offset to one direction and the pump should be installed with the offset side on top. Install hardware for securing pump to the pump mount, DO NOT tighten.

Install pump and align so that splined coupling can be moved (FREE PLAY) back and forth by hand. Rotate coupler and check free play every 1/4 turn. Tighten pump mounting bolts in succession, rechecking for spline coupling free play. Remove the pump mounting bracket bolts one at a time and apply a thread locking agent. Tighten these bolts in succession, again checking for free play in the driveshaft. After all bolts are torqued, the end play on the driveshaft should be 1/16" to 1/8", and coupler should move freely with hand pressure. If end play is less than 1/16", grind the end of the shaft to achieve the proper end play. If there is more than 1/4" of end play, return the shaft with specifications for a longer shaft.

**CAUTION: DO NOT START THE TRACTOR UNTIL ALL HOSES ARE ATTACHED,**



# ASSEMBLY

## REAR PUMP MOUNTING

Install the Pump Mounting Bracket onto the rear of the tractor. Secure the Pump Mounting Bracket with the supplied hardware. Refer to the Parts Section.

Slide splined driveshaft sprocket onto the tractor PTO. Install the chain onto the drive shaft Spocket. Install the pump spocket onto the pump. Install the pump onto the Pump Mounting Bracket and secure. Line up both sprockets and tighten with set screws onto respective shafts. NOTE: the pump body is offset, and the pump should be installed with the offset side down. Install hardware for securing pump to the pump mount, DO NOT tighten.

Remove the pump mounting bracket bolts one at a time and apply a thread locking agent. Tighten these bolts in succession.

**CAUTION: DO NOT START THE TRACTOR UNTIL ALL HOSES ARE ATTACHED, TANK IS FILLED WITH PROPER OIL AND BALL VALVES ARE OPEN! STARTING AT THIS TIME WILL CAUSE SERIOUS DAMAGE TO THE PUMP.** (ASM-JD-0241)



## ADJUSTING REAR WHEELS

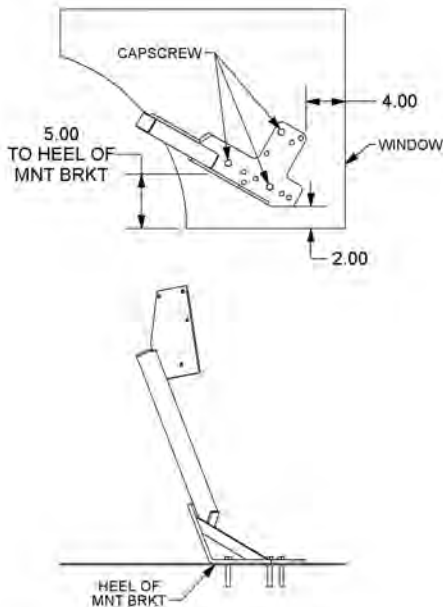
Raise rear of tractor onto jack-stands. **Follow the instructions in the tractor owner's manual for adjusting tires and rims.** The back wheels **MUST** be adjusted to the widest setting. NOTE: This may require switching the wheels to opposite sides of tractor. Also take note of any width restrictions when transporting by trailer. (For ease of installation, it is best to leave the rear wheels removed during installation of the mower.) (ASM-B-0001)



# ASSEMBLY

## CABLE CONTROL LEVER STAND

Place the cable control bracket on the floor so that the bracket is 4" from the front window. Also the outer rear corner (heel) of the bracket is 5" from the edge of the door. The middle corner of the bracket should be 2" from the edge of the door. See image below. Be sure that the location of the stand will allow the operation of all control levers in the tractor and that the door will not strike the stand when shut. Double check under the cab for cables and wires that may be cut when drilling. And before drilling double check location of the stand for proper placement of holes. Drill 3 holes to match control bracket and secure with capscrews and nylock nuts noted in Parts Section.



The rubber boot under the rear window can be cut in a crosshair pattern and, if necessary, the bottom cut through to allow it to slip over the cables and back into position. These cables will be routed to the lift valve mounted on the valve mounting plate, and should not have any sharp bends or kinks in them. Secure cables with zip ties and apply RTV sealer in and around individual cables, inside and outside of the cab for a water tight seal. Do not allow excess cable to hang unsecured on the outside of the cab. (ASM-JD-0239).



# ASSEMBLY

## SWITCHBOX WIRING

Cover all wires with plastic wire wrap provided. Route the green wires along switchbox bracket and cab frame to the steering wheel console. Route the rest of the wires along the base of the right hand console and up to the rubber boot in the bottom right corner in the rear window of the cab. The red and black wires will be connected to the auxillary power plug in the back of the cab. After all wiring is complete, secure all wires to the console with zip ties and push mounts. Take up most of the slack so the wires are out of the way and tighten the zip ties.

With the panel under the steering wheel removed to access the wires, locate the brown wire and verify that this is the neutral safety wire with a test light or meter. Then cut the brown wire and connect a green wire from the switchbox to each end of the brown wire as shown in the wiring diagram. Cut a small hole for the green wires and the wire wrap to fit through and replace the console.

The red and black wires access power for the switchbox through a John Deere auxillary power plug in the rear of the cab.

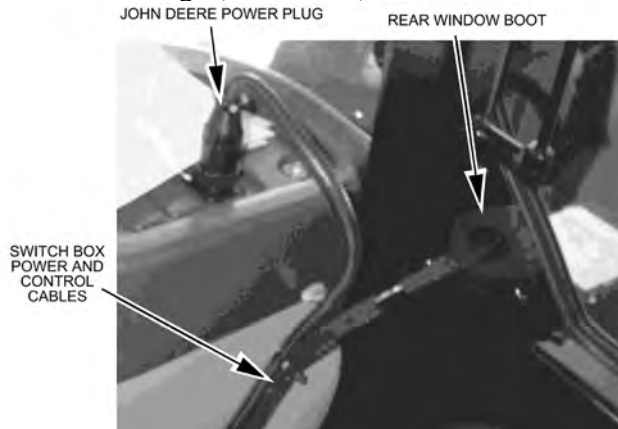
**NOTE: The RED wire from the JD power plug should not be used because it is ALWAYS "Hot". +12 VOLTS ELECTRICAL POWER MUST BE TAKEN FROM A SOURCE LOCATION WHERE IT IS LIVE ONLY WHEN THE IGNITION SWITCH IS IN THE "ON" POSITION. THE RED WIRE MUST BE FUSED AT THE SOURCE LOCATION WITH A CLOSED END CONNECTOR (# 34538).**

Connect the red wire from the switchbox to the orange wire from the JD power plug. Connect the black wire from the switchbox to the black wire from the JD power plug.

Two sets of wires have Metri-Pak ends on them. The white and black wires plug into the brake valve. The orange and black wires plug into the travel lock.

Cut a crosshair pattern in the rubber boot in the right bottom corner of the rear window. The wires can be routed through and the rubber falls back into position. The hole should only be large enough for the wires to go through easily.

Route the Metri-Pak wires from the window boot to their location on the unit. Coil the excess wire and secure it to the tractor frame with zip ties to eliminate vibration and rubbing. (ASM-JD-0078)



34538 - CLOSED END CONNECTOR



**NOTE:** When cutting or drilling a hole, be sure not to damage existing wires running behind panels.



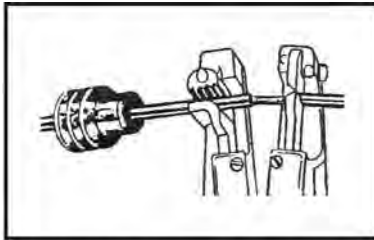
# ASSEMBLY

## WEATHER-PACK / METRI-PACK ASSEMBLY

These instructions apply to both Weather-Pack and Metri-Pack connectors.

**NOTE: Use the specific tool for the type of connector you are assembling.**

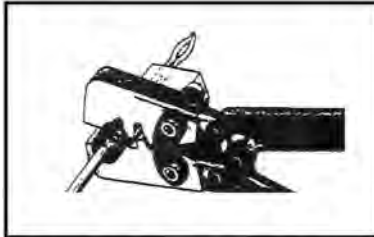
(ASM-C-0009)



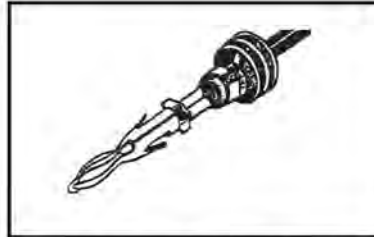
1. Apply seal to cable, before stripping insulation.



2. Align seal with cable insulation.



3. Put terminal in crimping tool, then position wire and seal in place.



4. Crimp and visually inspect for a good crimp before installing in connector body.

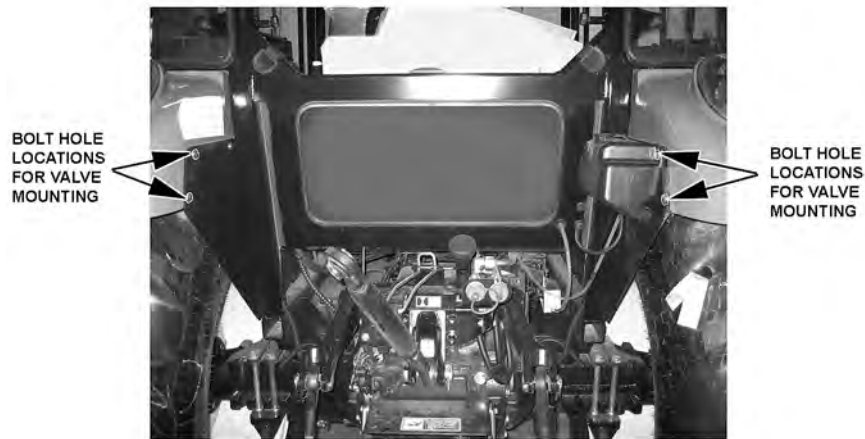


# ASSEMBLY

## VALVE MOUNTING

Attach the rear valve mounting bracket to the fender of the tractor by removing the two rear bolts on the left fender and the two rear bolts on the right fender. See illustration below. Drill the square holes in the fenders to accept 3/8" capscrews. Use the hardware noted in the Parts Section to attach the valve mounting bracket to the tractor.

Next, attach the valve mounting plate to the mounting bracket. Align the holes on the plate to the holes on the bracket. Use the hardware shown in the Parts Section to attach the plate to the valve mounting bracket. Finally, place the valve on the valve mounting plate as shown in the Parts Section. Align the holes on the valve assembly to the holes in the plate. Use the hardware provided to secure the valve to the plate. Refer to the Parts Section for the placement of the valve and the hardware used. **Please handle the lift valve with care. It is extremely heavy and contains small parts.** (ASM-JD-0065)

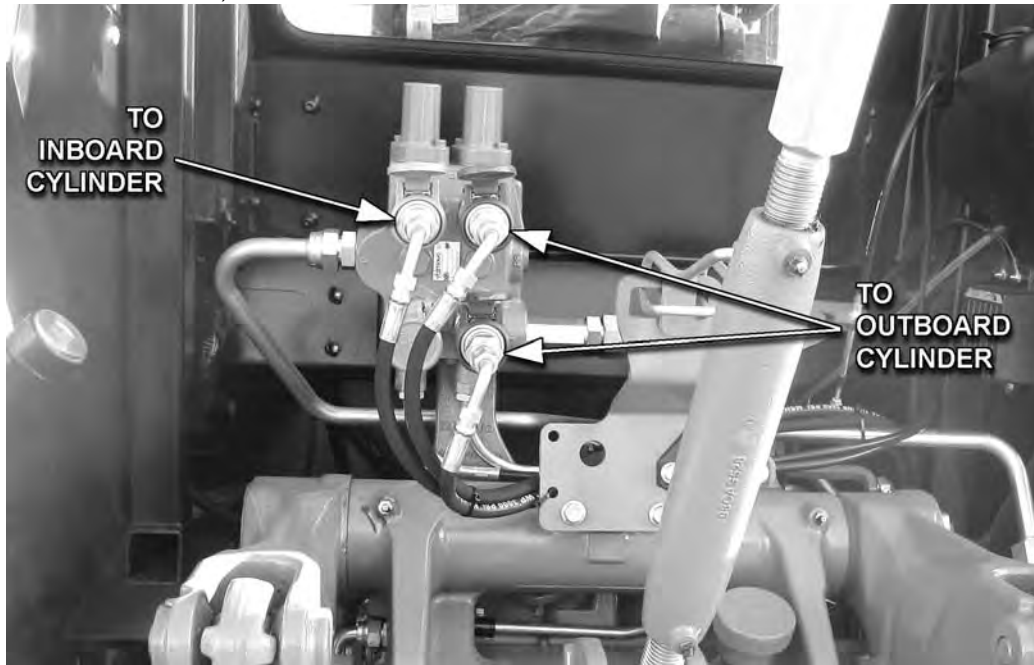


# ASSEMBLY

## NO VALVE OPTION

In some instances, if ports at the rear of the tractor are available for exclusive use, a lift valve may not be installed. Hoses (1/4") are to be attached from ports to cylinders as shown below, using the adapters (part # 33271) and quick couplers (part # 32900) provided. Hoses used are as follows: Outboard Cylinder: #06500741 (two hoses). Inboard Cylinder: #06500742.

*(ASM-JD6105 TSF NO VALVE)*

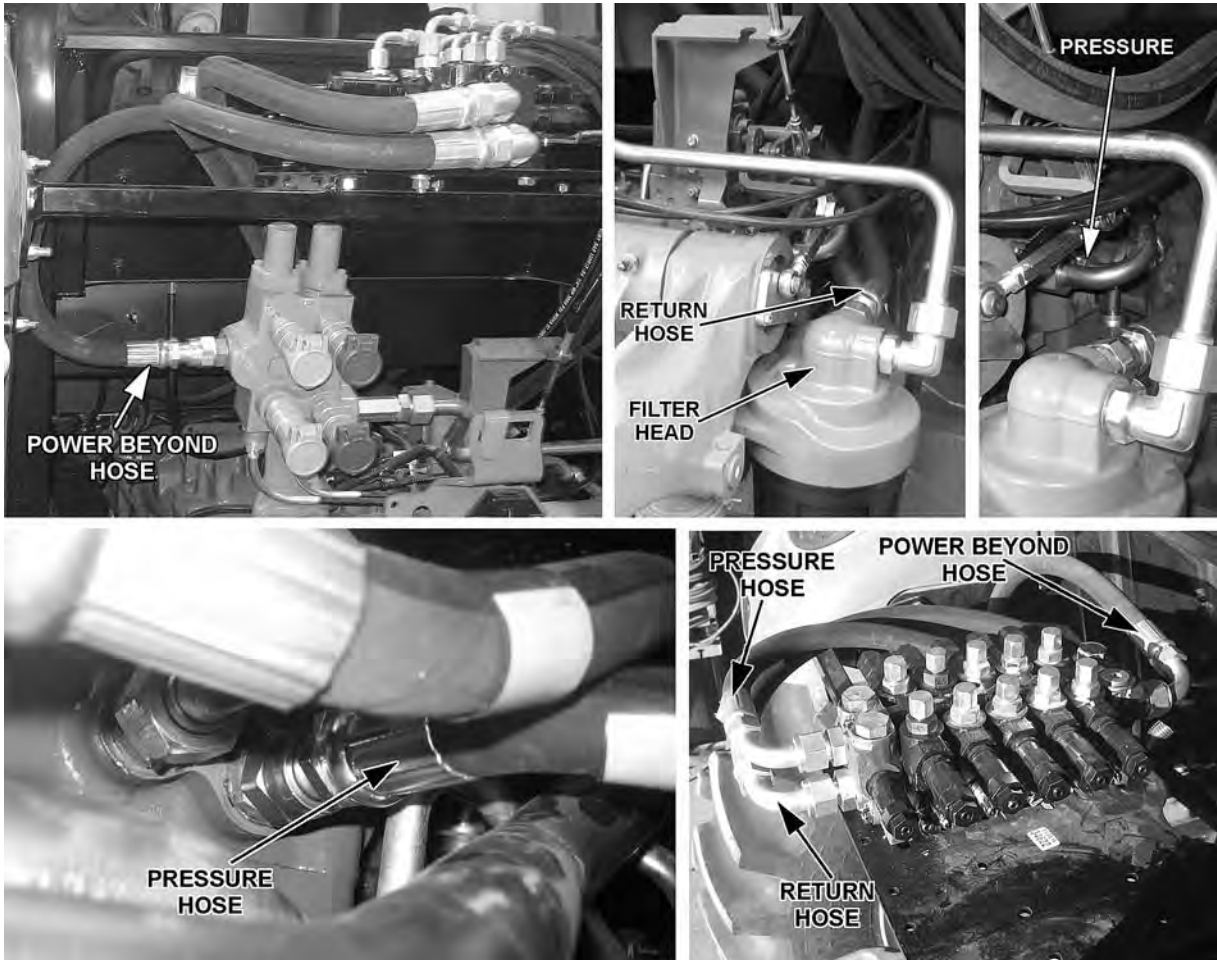


# ASSEMBLY

## TRACTOR PLUMBING

Remove the stock pressure line to the remote valve. It will be necessary to temporarily remove other hoses and tubes that block access to connect the hoses. Install the pressure hose to the tractor pressure port. Install hose #06500783 from the power beyond port of the lift valve to the tractor SCV valve. Install pressure hose #06500782 from the tractor pressure on the side of the tractor to the upper port on the lift valve inlet. Install return hose #06500782 from lower port on lift valve inlet to the return filter on the tractor. See the Parts Section for parts used.

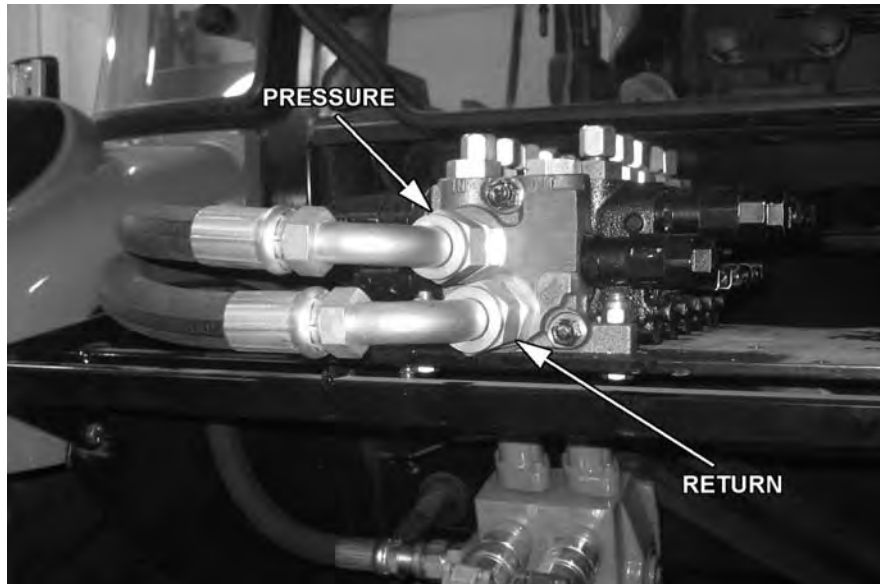
*(ASM-JD-0242 6xxxD)*





# ASSEMBLY

## MANUAL LIFT VALVE PORTS



(ASM-C-0102 JD6xxxD)

## MANUAL SWITCHBOX MOUNTING

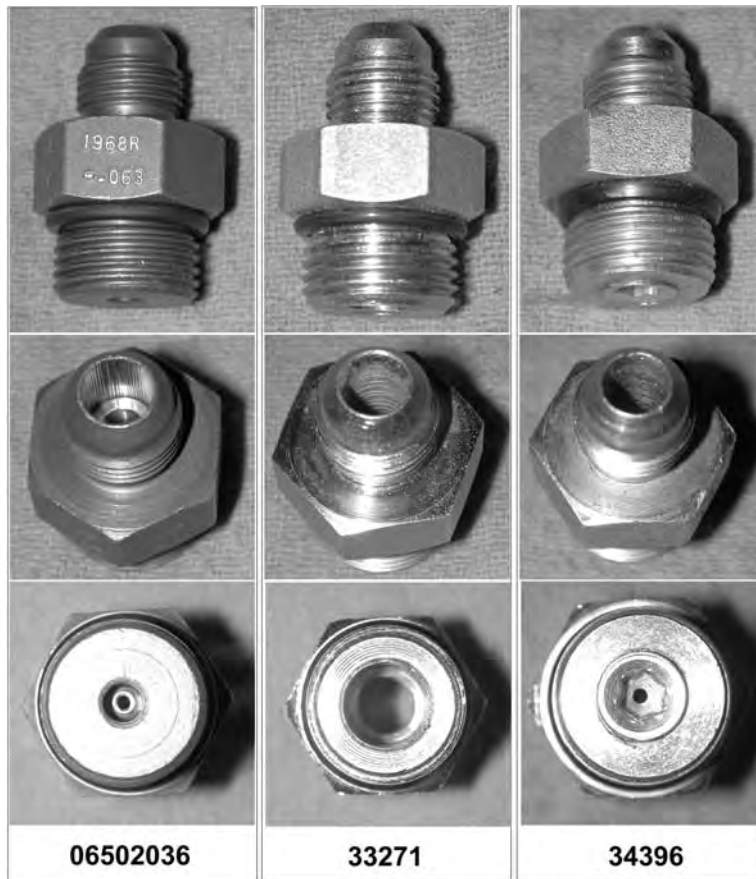
The switchbox is to be secured to the operator's side of the control handles, or valve stand. Refer to the Parts Section for assembly and components needed. (ASM-C-0071)



# ASSEMBLY

## \*NOTE ON HUSCO CONTROL VALVES\*

Manual, cable controlled (Husco control valve) boom mowers require check valves with integral restricting orifice (#06502036) installed in the control valve work ports that are connected to the gland ends of the main and secondary boom cylinders. This check valve allows oil to free flow into the gland end of the main and secondary boom cylinders, but restricts flow out of the cylinder, thereby providing proper boom control. This check valve, #06502036 (Vendor #1968R-.063) is similar in appearance to hose adapter #33271 and Adapter #34396, with .06 orifice. These components can be identified as follows, and are to be installed per Parts Section for the lift valve. (ASM-HUSCO-0001)



# ASSEMBLY

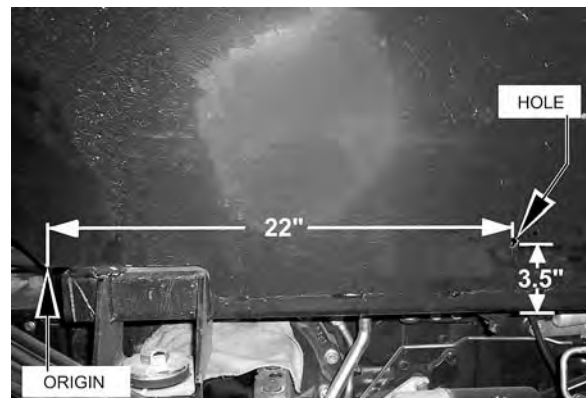
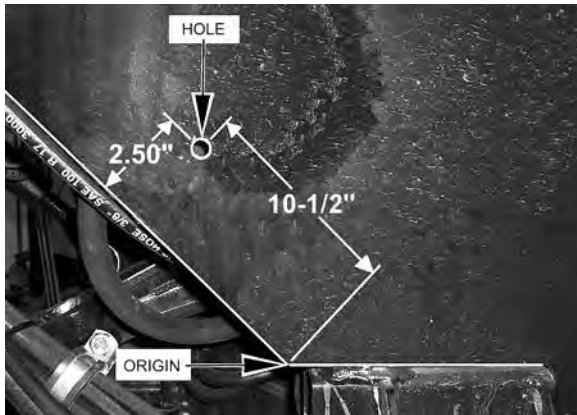
## HOSE AND WIRE ROUTING

Attach two clamps to the right rear wheel well for proper hose/wire routing. Drill one hole for each clamp. Use the lower rear corner of the wheel well as an origin for measuring. The holes should be 10mm or 3/8" reamed to accept 3/8" hardware.

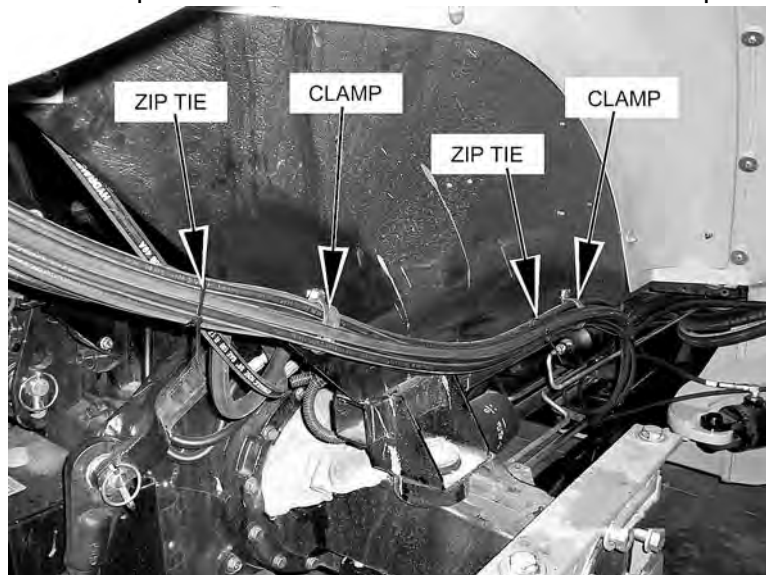
Measure along the back edge of the wheel well 10-1/2" from the origin. Use a square to measure 2-1/2" up, from the last mark. Refer to the image below to see the first hole.

The second hole should run parallel to the bottom edge of the wheel well. Mark the hole 22" from the origin and 3-1/2" from the bottom edge. Use the images below for reference.

**NOTE: DO NOT CUT INTO TUBES / HOSES / WIRES WHEN DRILLING THROUGH METAL OR PLASTIC!** (ASM-JD-0068)



Place as many hoses in the clamp as will fit without compromising pressure. Then secure the (2) HOSE CLAMP (06520013) to the holes drilled with (1 EACH) CAPSCREW, 3/8 X 1 NC (21630) and (1 EACH) NYLOCK NUT, 3/8 NC (21627). The hoses that don't fit into the clamp are to be secured to the others with zip ties. For protection of hoses in contact with metal edges, wrap hoses with split hose sections and fasten with hose clamps or zip ties as needed.



# ASSEMBLY

## WHEEL WELL HYDRAULIC TANK INSTALLATION

Install all fittings and tubes into tank and tank filter as shown in the Parts Section illustration. Insert tank sight glass onto the tractor side of the tank.

Place the tank in the mounting bracket on the axle brace as shown in the Parts Section. Secure the tank with the hardware provided.

Install the filter gauge into the filter housing so that it points to the rear of the tractor and is clearly visible to the operator. The tank breather cap is ready for use as the tank is filled. Some of these items may already be installed. (ASM-C-0103)

## FILLING HYDRAULIC RESERVOIR

Refer to the Maintenance Section for filling specifications and hydraulic oil requirements.

**NOTE: Starting or running your Tiger mower before filling reservoir will cause serious damage to the hydraulic pump.**

(ASM-C-0004hydro resrv)

## WHEEL SPACER WITH WHEEL WELL TANK

When the left wheel is off, a spacer kit is needed with the wheel well tank (part# 06200637.) Attach the spacer to the left wheel portion of the axle with the hardware provided. When you are ready to re-attach the left wheel, the wheel goes on first then the reinforcement ring and finally the hardware provided. (ASM-JD-0070)

## INSTALLING O-RING FITTINGS

Installing straight, 45° and 90° O-rings requires that the O-ring and washer be up against the swivel body. Insert the swivel and turn in until the swivel is pointed in the desired direction and O-ring contact is made. Hold swivel in set direction with a wrench and turn the O-ring nut away from the swivel body and carefully tighten. (ASM-C-0056)

## INSTALLING NATIONAL PIPE FITTINGS

Whenever installing a pipe fitting, wrap the threads clockwise (looking at the end) with teflon tape. In this way, the tape will be tightened when installed. NOTE: It is not necessary to tape O-ring fittings, or those installed in swivels. (ASM-C-0088)

## GENERAL HOSE INSTALLATION

Refer to the Parts Section for detailed information about hoses and fittings for this application. (ASM-C-0011)



# ASSEMBLY

## HOSE COVERING

Secure hoses together with zip ties wherever loose. Wrap the hoses between the swivel and main boom with the hose cover provided. Wrap the hoses between the main boom and secondary boom with the hose cover provided. Where hoses may contact the frame or other edges, wrap with split hose and secure with hose clamps or zip ties.

On non-cab units, the pressure and return hoses from the control valve will also need to be routed inside the protective hose wrap. Cover the valve and valve fittings with the hose cover and secure with the string provided. *(ASM-C-0058)*

## SOLENOID BRAKE VALVE

Install a solenoid valve on the mounting bracket with the supplied hardware as shown in the Parts Section in this manual. While installing the fittings to the brake valve, the electrical coil on the spool may have to be removed to make room. When reinstalling the coil, it is important to use no more than 5 ft. lbs. (or 60in. lbs.) torque. **WARNING: OVER TORQUE TO THE COIL WILL RESULT IN HYDRAULIC FAILURE OF SPOOL.** *(ASM-C-0025)*

## TEMPERATURE GAUGE MOUNTING (OPTIONAL)

Mount the temperature gauge where it is clearly visible to the operator. Attach the green (-) wire from the negative post on the gauge to a grounded bolt on the tractor frame. Remove paint if needed to make a good ground. Remove the pipe plug from the side of the hydraulic reservoir and install the temperature sensor using thread sealing tape. Run the white wire from the (s) sensor post of the gauge to the temperature sensor on the hydraulic reservoir tank. *(ASM-C-0051)*

## AXLE BRACE INSTALLATION

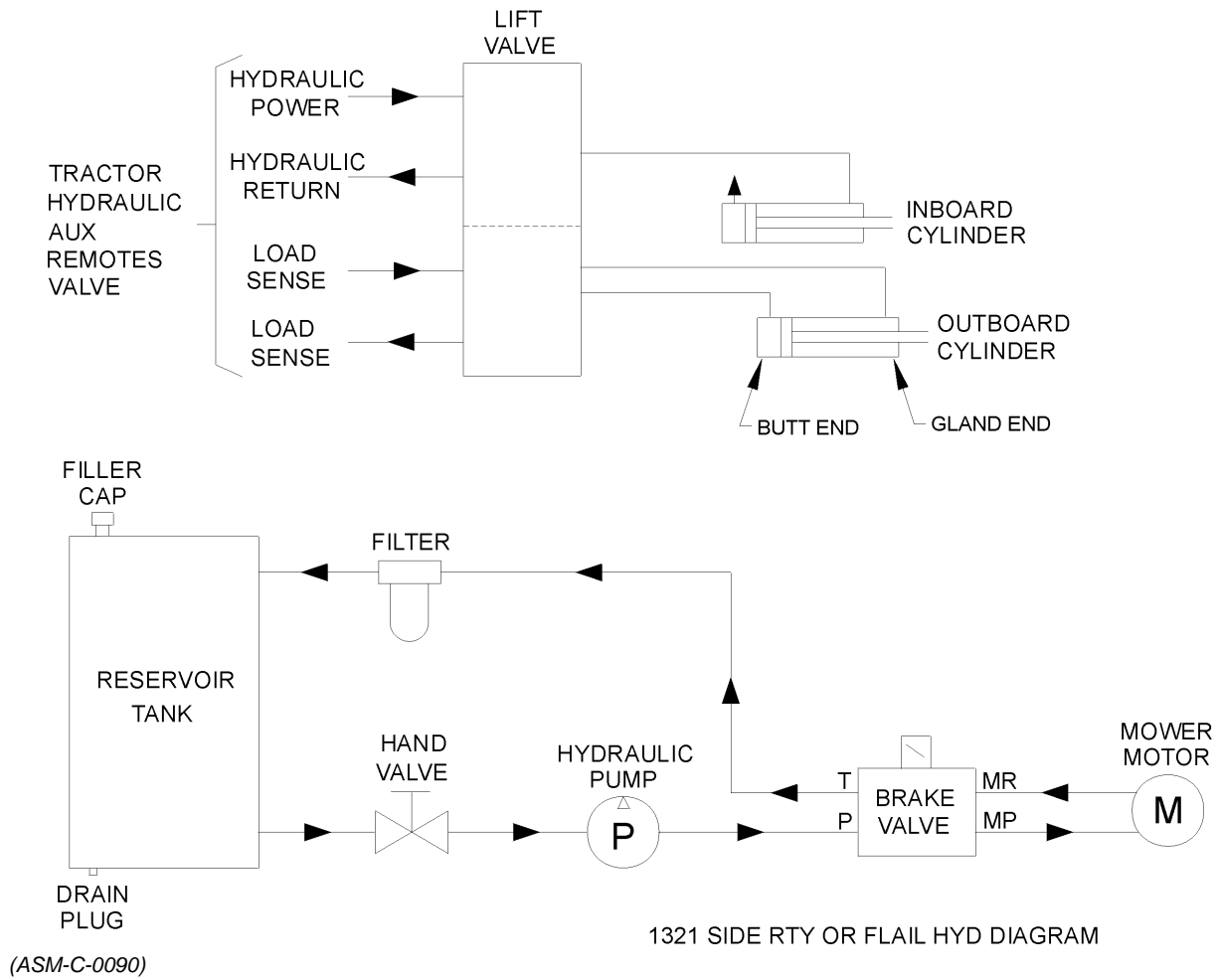
With the tractor on jack-stands, remove the existing hardware on the rear axle where the axle braces will be mounted. Use a hoist to raise the axle braces to the correctly matching mounting holes on the rear axle and the mainframe. Use the hardware shown in the Parts Section to attach the braces to the tractor, DO NOT tighten until the mainframe has been positioned onto the axle braces. The mainframe hardware will not be tightened at this time.

When the mainframe is in position, remove the capscrews one at a time and apply a thread locking agent. Reinsert the capscrews and tighten / torque to values noted in the torque chart located in the Maintenance Section of this manual. *(ASM-MF-0013)*



# ASSEMBLY

## SIDE MOWER HYDRAULIC DIAGRAM



# ASSEMBLY

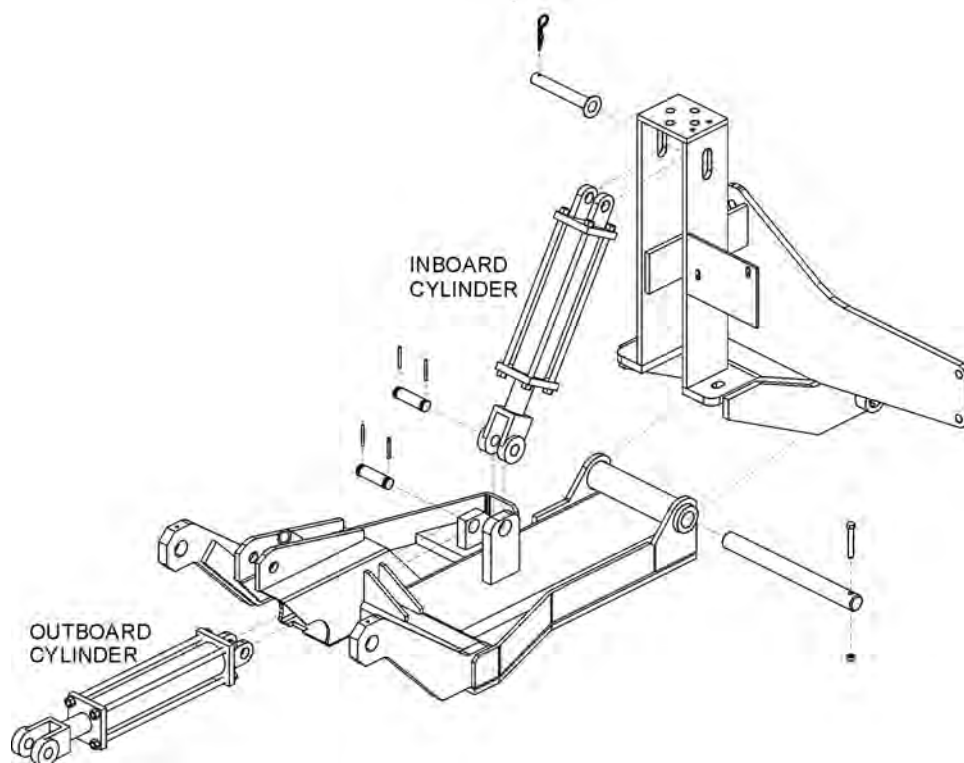
## DRAFT BEAM INSTALLATION

Install ½" O-ring breather into butt port of inboard cylinder. Install fittings in the rod end of the cylinder according to the diagram in the Common Parts section. These fittings should be positioned to face the butt end of the cylinder.

Next turn the clevis onto the rod of the cylinder until it is tight against the shoulder and lock into place with locking bolt on clevis.

The inboard cylinder can now be installed into the main frame mast with the pin, flatwasher and R-clip as shown below.

Install all fittings in the outboard cylinder and adjust to point towards the butt end of the cylinder. Attach the hoses as specified in the Parts Section. Slide the cylinder into the draft beam from the outside of the draft beam and attach cylinder to the draft beam with clevis pin and rollpins. (ASM-C-0076)



## DRAFT BEAM MOUNTING

Pull the inboard cylinder piston rod down to the extreme extended position. Slide the draft beam under the cylinder

Using the inboard cylinder as a pivot point, slide the draft beam under the tractor and install draft beam pin. Align hole in draft beam pin with holes in mainframe boss and install capscrew and nylock nut. (ASM-C-0078)



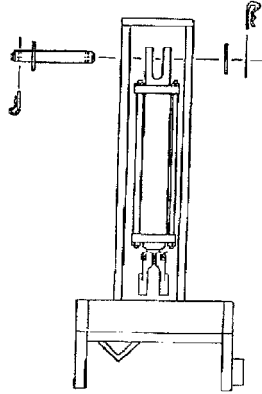
# ASSEMBLY

## CABLE LIFT DRAFT BEAM INSTALLATION

Install ½" O-ring breather into butt port of inboard cylinder. Install fittings in the rod end of the cylinder according to the diagram in the Common Parts Section. These fittings should be positioned to face the butt end of the cylinder.

Next turn the clevis onto the rod of the cylinder until it is tight against the shoulder and lock into place with locking bolt on clevis.

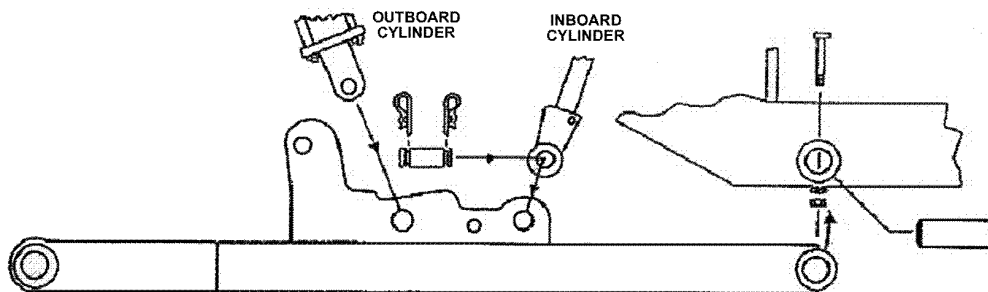
The inboard cylinder can now be installed into the mainframe mast with the pin, flatwashers and R-clips as shown below. Use teflon tape on all fitting and hose connections.



## DRAFT BEAM MOUNTING

Pull the inboard cylinder piston rod down to the extreme extended position. Slide the draft beam under the cylinder, and align clevis hole with draft beam hole nearest to the tractor. Install pin and secure with R-clips.

Using inboard cylinder as a pivot point, slide draft beam under tractor and install draft beam pin. Align hole in draft beam pin with holes in mainframe boss and install capscrew, lockwasher and hex nut.



Install the fittings in the butt end of the outboard cylinder, as shown in the Common Parts Section. These should be positioned to face the rod end of the cylinder. Next, install the O-ring breather in the rod end of the cylinder.

Install the outboard cylinder in the hole in the draft beam as shown above. Install the pin into the draft beam and cylinder and secure with R-clips. (ASM-CBL DRFT BEAM-0001)





# ASSEMBLY

## DECK MOUNTING AND LIFT ASSEMBLY

Install the upper sheave bracket on the outboard cylinder and tighten securely against piston rod shoulder. Tighten the set screw, and align the draft beam.

Install the lower sheave bracket on the draft beam with a  $\frac{3}{4}$ " capscrew and two hex nuts as shown in the diagram on the next page.

Align the deck with the draft beam mounting hole and install the outer draft beam pin. Align the holes in the draft beam pin with the holes in the boss and secure with capscrew, lockwasher and hex nut.

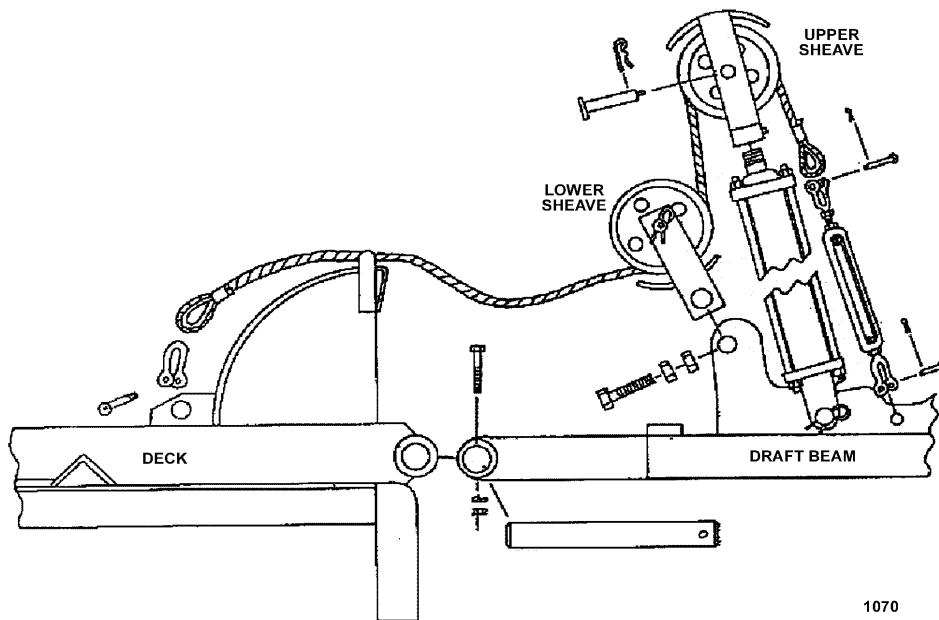
Pass the lift cable through upper sheave bracket and attach to turnbuckle with turnbuckle pin and cotter key. Attach turnbuckle to draft beam with turnbuckle pin and cotter key.

Place the cable in the upper sheave bracket with the cable on top of the wheel. Secure wheel with sheave pin (with grease zerk) and R-clip. Place lift cable in lower sheave below the wheel and install sheave with pin (with grease zerk) and R-clip.

The cable can now be attached to the deck mounting bracket with the shackle. Tighten shackle pin securely. **NOTE: DO NOT tighten the turnbuckle at this time!**

**Refer to the Common Section for further reference and part numbers.**

(ASM-CBL DRFT BEAM-0002)



## TURNBUCKLE ADJUSTMENT

Extend the outboard cylinder until the deck touches the stop on the draft beam. Hold the deck in this position to adjust the lift cable tension. Adjust turnbuckle until cable is tight.

Lower and raise the deck to check adjustment. The mower deck should reach the stop on the draft beam at the same time the outboard cylinder reaches the extreme extended position.

Finally tighten the turnbuckle lock nuts securely. It will be necessary to readjust the turnbuckle after the cable has stretched from use. (ASM-SIDE MNTS-0005)



# ASSEMBLY

## LIMIT SWITCH MOUNTING

### ASSEMBLING LIMIT SWITCH

Mount bracket 1-5/8" down from top edge on the inside of the rear arm of the draft beam, (Fig. A) square with inside corner as shown with the square corners against arm. Weld plate no more than 5/8" x 1/4" on top as shown.

Assemble limit switch with wheel on body side of arm and with the rear of arm mount aligned with fourth notch on arm as shown in Fig. C. Fasten limit switch cam to bonnet with the 7/16" x 3-1/2" pin bolt and flatwasher as shown in Fig. D.

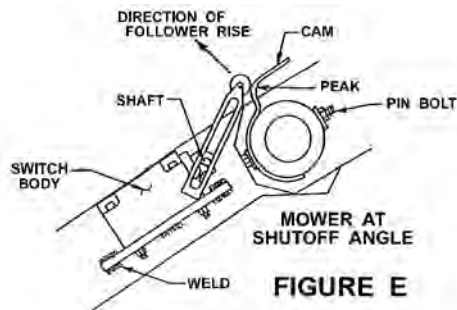
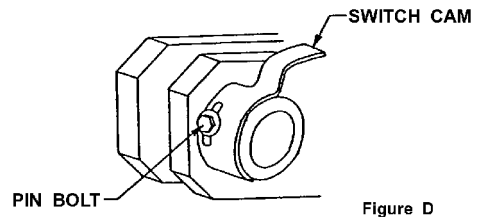
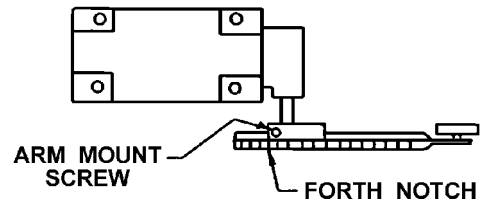
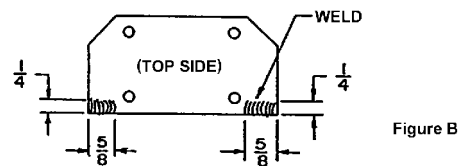
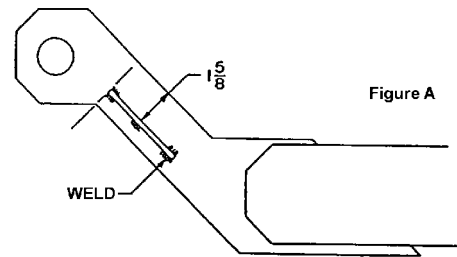
### ADJUSTING LIMIT SWITCH

To adjust switch do as follows:

1. With cam in place and pin bolt installed, raise mower to desired shutoff angle.
2. With pin bolt loosened turn cam until roller follower just reaches peak (see Figure E) and tighten pin bolt.
3. With switch arm mount screw (see Figure C) loose turn shaft (see Fig. E) with screwdriver in direction of follower rise while holding follower against cam peak until switch clicks off and hold while tightening arm mount screw.

### WIRING LIMIT SWITCH

Remove top cover on switch to expose terminals. Connect red wire to either of the back terminals, and the black wire to the other back terminal. Cut the white wire to solenoid valve at a place closest to the tilt-angle switch. Connect the red wire to one of the cut ends and the black wire to the other end. This connects the switch in series with the solenoid valve. (ASM-C-0028)



# ASSEMBLY

## LIMIT SWITCH

(ASM-C-0029)



### STOP BOLT ADJUSTMENT

Extend the outboard cylinder all the way out. Adjust the stop adjustment bolt (located on the top of the draft beam) out until it is up against the bonnet. Lock the bolt down with the  $\frac{3}{4}$ " hex nut.

NOTE: When the outboard cylinder is fully extended, the bonnet or deck should either be up against the stop, or if travel locks are installed, it should be up against the travel lock. It may be necessary to use either external or internal slugs on the cylinder to get the correct stroke. If the cutter head is against the stop and the cylinder has stroke remaining, serious damage will occur.

(ASM-SIDE MNTS-0003)

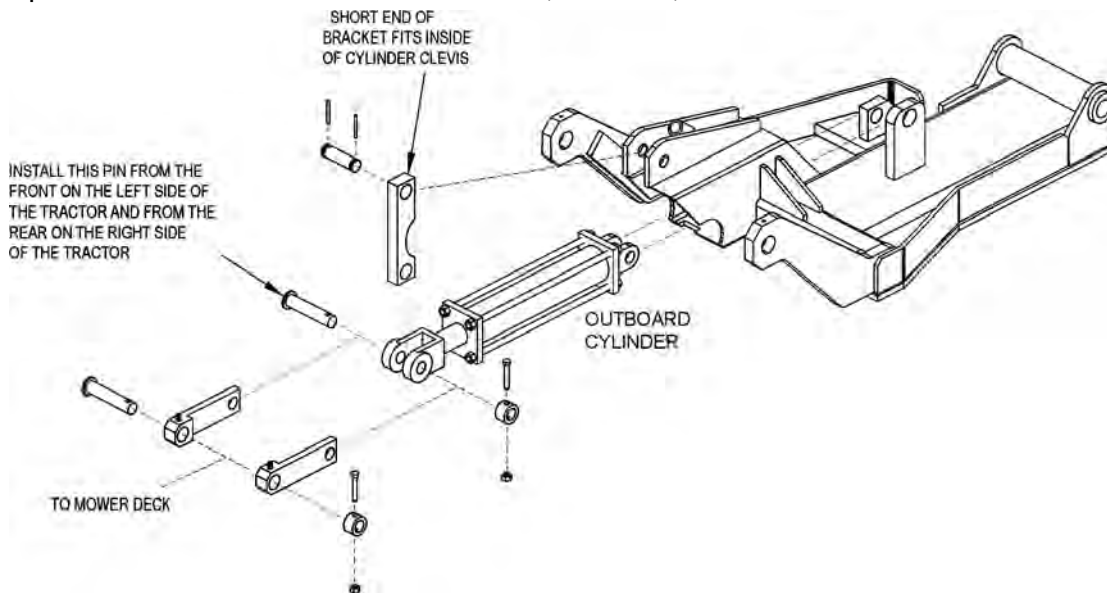


# ASSEMBLY

## MOWER MOUNTING

Check that all grease zerks have been installed in the draft beams pivot arm, left linkage arm, right linkage arm, and cylinder mounting ears.

Using a clevis pin and roll pins, connect the pivot arm to clevis on draft beam. NOTE: Make sure the longer distance between the cutout and the end of the pivot arm is closest to the draft beam pivot ears on the center tube as shown in the diagram below. Also make sure the cutout on the pivot arm faces into tube of draft beam. (ASM-C-0077)



Slide other end of pivot arm with short distance between the cutout and the end of the pivot arm, into the cylinder clevis. Next, line up the holes of the left and right lift linkage arms outside of the cylinder clevis holes. Connect with linkage pin, shims (as required), boss, capscrew, lockwasher and hex nut as shown.

To connect the bonnet to the draft beam, slide the extension arms of the draft beam between the mounting ears on the inner end of the bonnet. Line up the holes and secure with swivel pin, capscrew, lockwasher, and hex nut (both sides). See Parts Section illustration.

Next, slide the left and right linkage arms up to the slotted ear on the side of the deck. Secure with linkage pin, shims, boss, capscrew, lockwasher and hex nut. See illustration in Parts Section.

## LIFT CONTROL FEEDLINES

Hose lengths will vary between tractor applications such as cab and non-cab units. See the Parts Section that pertains to your tractor for hose applications.

Install a hose from the bottom or inner valve port (behind cab for cab units, on stand for non-cab units) to the restrictor on the inboard cylinder gland.

Install a hose from the upper or outer valve port to the restrictor on the outboard cylinder butt. See Parts Section for part numbers and hose routing illustrations. (ASM-C-0093)



# ASSEMBLY

## TRAVEL LOCK MOUNTING

Install the travel lock bracket with pin and clip on the draft beam. Slide the draft beam and align the travel lock bracket hole with the mounting hole on the mainframe. Install the capscrew, lockwasher and hex nut as shown in the picture.

Raise the deck/flail to it's upright position (Deck ear touches to stop bolt as shown in the picture). Drill a 13/16" hole to the deck/flail ear through the draft beam as shown below. Insert the supplied pin and clip through the hole. (ASM-SIDE TRVL LOCK-0001)



## DECK / MOTOR FEEDLINE

Install the 1" hoses from the motor to the solenoid valve. Refer to the Parts Section for detailed information about hoses and fittings for this application.

Install split hoses around hydraulic hoses where they contact sharp edges, or any other edges that may rub hoses.

Be sure that all grease zerks are installed in the draft beam pin bosses. Grease all areas of the draft beam according to the instructions in the Maintenance Section. Re-check all fittings for tightness.

Fill hydraulic tank with fluid as recommended in the Maintenance Section. **BE SURE TO OPEN THE BALL VALVES.** Start the tractor and operate the inboard cylinder through the entire stroke and the outboard cylinder through the bottom  $\frac{3}{4}$  stroke repeatedly to clear the lines of air. **DO NOT run outboard cylinder out to full stroke until stop bolt has been adjusted!**

Check for oil leaks at all fittings and connections using a piece of paper or cardboard. If a leak is found, you must shut down the tractor and set the cutter head on the ground. Before attempting to fix the leak, you must actuate the lift valve handles several times to relieve any pressure in the lines. **DO NOT USE HANDS TO CHECK FOR FLUID LEAKS!**

Raise the three point hitch and check the tractor internal hydraulics, fill to proper level if needed. (ASM-C-0079)



# ASSEMBLY

## FINAL PREPARATION FOR OPERATION

Place operator's safety and operation decals on the steering column and side console where they are clearly visible to the operator. These decals should be understood by each operator of the machine in conjunction with the Safety and Operation Sections of this book. The decals are to be maintained in good condition as a reminder to the operator, and should be replaced if damaged.

All bosses, pins and pivot points will need to be greased as instructed in the Maintenance Section of this manual. The hydraulic reservoir can also be filled with the recommended fluid (see Maintenance Section) and the filter installed in the top of the tank. Double check all fittings and fasteners **BEFORE** starting tractor. Also secure any loose hoses together with zip ties and wrap with split hoses where friction may occur on the hoses.



**BEFORE** starting or operating the tractor you must read and understand the Safety and Operation Sections of this manual completely.

**BE SURE THE BALL VALVES ARE OPEN!** Start tractor and allow instruments to stabilize. Using a piece of paper or cardboard as noted in the Safety and Maintenance Sections, check all fittings and connections for hydraulic leaks.

If a leak is found, you must shut down the tractor and set the cutter on the ground. Before attempting to fix the leak, you must actuate the lift valve handles several times to relieve any pressure in the lines.

**Before operating the mower**, the cutter head and boom should be slowly moved throughout the full range of motion. Watch for any condition that would cause pinching or excess stress on the hoses. The steering and front axle travel should also be carefully moved through their full range of motion. If any condition occurs in which the hoses contact the tires, the steering and / or front axle travel may need to be limited as described in the tractor operator's manual. This should also be done if the tires rub, or are extremely close to any other part of the mower, such as the hydraulic tank or draft beam. This may include adding shims or adjusting stop bolts in the tractor front to solve the problem. While checking motion, you should also check that the control circuits are connected according to the operator's decal for the valve handles.

## MOWER TESTING

Take the tractor to a place free of loose objects on the ground. Operate the cylinders through their full range of motion again, to clear the lines of air. Follow the instructions in the Operation Section to operate the mower. Vibration of the mower should be minimal at all times. After a 5 minute test run, the knife bolts should be retorqued, and retorqued once again after the first few hours of operation.

**If any parts of this Assembly Section, or any other section of this manual are not clearly understood you must contact your dealer or the address on the front of this manual for assistance!***(ASM-C-0010)*



**CD9 F5 HCB'G97 HCB**

UJ ^!aa } Á^&a } ÁË







# CD9F5HCB

CD9F5HCB

## CD9F5HCF F9EI F9A9BHG

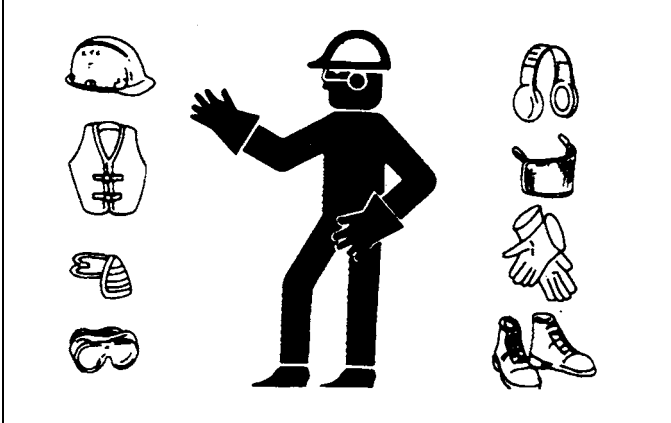
Ùæ^Á ] ^ìæå } Á -Á@Á } ãÁ Á@Á^• ] [ ] • ãåå Á -Áæ~ ååå áÁ ] ^ìæå ; ÈÁÁ~ ååå áÁ ] ^ìæå ; Á@æ Á^æåå å á  
~ } á^ì•æå å Á@Á ] | { ^ } óå å Áæåå ; Á ] ^ìæå ; ç Á æ~ æ Á å Á Á ç ] ^ìæå } &^åå Á ] | { ^ } óå å Áæåå ;  
[ ] ^ìæå } Á å å Á å • [ &æå á Á æå Á ] æåå • ÈÁÁ åååå } Á Á@Á æåå Á ^•æ^Á Á ] æå å å Á@Á æ~ æå  
•æåå Á å } • Áæ^Á æ~ á Á Á ] | { ^ } óå å Áæåå ; ÈÁÁ åå~ Á æå Á -Á@Á ] ^ìæå } Á å Á æå Á ^Á -Á@  
^~ å { ^ } óå Á ] æå { ] | ^ Á } á^ì•ç [ áæå ] • | óå å ç å å å Á æå Á Á ] æå { ] | ^ Á ç ] æå } È

ÇÁ@Á ] ^ìæå ; Á } [ ó Á æå Á æå æ~ æ Á Á ] æå { • ^ ç Á Á Á ] ^Á [ æå { ] | ^ Á } á^ì•æå å Á@Á ] ^ìæå } Á -Á@  
^~ å { ^ } óå Á Á@Á^• ] [ ] • ãåå Á -Á@Á ] ^ìæå ; Á Á æåå å Á ç ] æå Á@Á æ~ æ Á æåå Á ] æåå • Èå å  
[ ] ^ìæå \* Á • ç & ç ] • Á Á@Á ] ^ìæå ; È

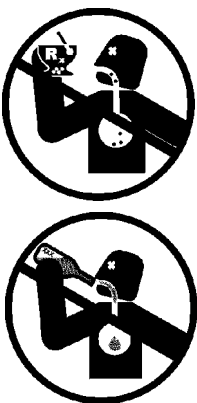
Ùæ^Á ] ^ìæå } Á -Á~ å { ^ } ó Á ~ á^Á@æÁ@Á ] ^ìæå ; Á^æåå ] [ ç á Á Á ] • æ Á ] [ ç & ç ^ Á ~ å { ^ } ó Á Á@  
ç Á@Á ] æå } áåå } • Á @ ] Á æåå @ \* È ] ^ìæå \* È ^ ç åå \* È å á Á ] æå \* Á@Á~ å { ^ } ó Á Á@Á / Á ^ á  
] [ ç æ Á ] ^ìæå ; Á ] [ ç & ç ] å å å & ^ á^Á@Á ] [ ] , å \* Á æåå Á^æå

### D9FGCB5 @DFCH97HJ9'9EI -DA9BH'fDD9L

- ~ Ç, æ^Á^æÁæåå Á | æ••
- ~ PæåÁæ
- ~ Ùæ^Á ] ^ìæå Á ] [ ç ^æ
- ~ Õ ] ç^
- ~ P^æå \* Á ] [ ç & ç ]
- ~ Õ ] • ^ Á æå \* Á ] [ ç ]
- ~ Ù^• ] æå ; Á [ Á ç Á Á Á Á á^ ] á^Á [ ]  
[ ] ^ìæå \* Á ] áåå } • È (OPS-U-0002)



POXOUA^Áåi^•ÁÁæå @ | Á { ^áæå^ Áåç | ^Á Á @^Á ] ^ìæå \* Á@  
Væåå ; Á å áÁ ] | { ^ } ó Á ~ • Á å å Á æå @ | Á å Á æå Á ] ^ìæå ; ç  
æ^ìç^• Á å å Á ] [ áå åå } Á å Á@Á^ìç | Á æå Á@Á ] ^ìæå ; ç Á æåå Á  
[ ] ^ìæå Á@Á~ å { ^ } ó å æå ÈÁÁ^ìç ] ^ìæå \* Á@Áæåå ; Á ] | { ^ } ó  
æ Á ] ^ìæå ; Á ] ^ìæå ; Á ] ç Á È@ È ] ^ìæå Á^æåå } Á ~ ç  
æå Á^æåå ] [ •• å } æ Á^æåå \* Á ~ Á æå Á æå Á -Á@Á Á^æåå } Á@  
• [ ] á Á æå å Á@Á æååå Á Á ] ^ìæå Á@Á~ å { ^ } ó å æå ÈÁÁ ÒÁÁ  
^ ] [ ] , å \* Á Á ] , Á ^ [ ] ^ Á Á ] ^ìæå Á@Á~ å { ^ } ó @ } Á@Á æåå ç^• Á  
& [ ] áå åå } Á Á ] æå á Á Á ] ^ìæå Á@Á ] ^ìæå ; Á ] Á @ Á  
& ] á Á ~ | ó Á@Á ] ^ìæå ; Á Á } á^ì•æå å ç ^ } & Á Áåi^•ÁÁæå @ | Á



Ùæ^Á ] ^ìæå } Á -Á~ å { ^ } ó Á ~ á^Á@æÁ@Á ] ^ìæå ; Á^æåå ] [ ç á Á Á ] • æ Á ] [ ç & ç ^ Á ~ å { ^ } ó Á Á@



# CD9F5HCB

CD9F5HCB

## ' ' : fcbh9bX'K Y|| \ h

021 q q ~ { A ACEA At caAta&d iA Aa @A ~ oA^A a& ca& AaA } A@ At&d iA [ ] oA } aA&A/A& A^ E&O [ ] oA } a  
A @A A& a&A&A A a& ca& A c^A q \* A& } d [ | A& aA A i^c^ } oA@ At&d iA [ { A^a& \* A ] A @^A i q& \* E&O @  
+ [ ] oA } aA A [ A& @E&a&A Aa @A } ca&A q q ~ { A ACEA At caA Aa @A A^a& @ aA } A@ At [ ] oA A^ E&O [ ] c  
A @ A& aA Aa @A& aA A& A& A^ i & @ aA @ [ \* @A A& c q i a^ aA& d i A& a& A^ @ E&OPS-U- 0005

## ( " : 9HHB: 'CB'5 B8 'C: : 'H<9 'HF57 HCF

O^ i^ A^ a& \* A } d A@ At&d iE& @ A ] A& iA ~ oA^a&A& aA& { ] | c^ A } a^ o& aA@ A ] | ^ ^ } oA aA& d i  
 [ ] A& iA a& ~ a& E&O a& A a& oA A& @ A a& ~ a& A [ oA [ ] | c^ A } a^ o& d [ a&E& ] ~ | o& A& c q i a^ aA& a& A^ i  
 a& [ ] | c^ A c [ a& a& ] E&OPS-U- 0007



O [ A [ oA [ ~ } oA iA& { [ ~ } oA@ A i&d iA @ A@ A i&d iA A [ c& \* E& [ ~ } c  
 c@ A i&d iA ] A @ } A@ A i&d iA a& a& A [ c& \* A a& o A& A& { ] | c^ A  
 o& d ] ] a& E&OPS-U- 0007



## (' %6 cUX|b[ 'H Y'HFUWcf

W^ A& [ c@ @ a& A& aA ~ q ] A& A& a i& a& A& aA c^ o A iA ~ ] [ | oA @ } A [ a& a& \* A@ At&d iE& A^ c^ A^ A& } d [ |  
 | c^ A^ A iA ~ ] [ | oA @ } A [ ~ } c& \* A@ At&d iE& A& A [ ~ } o A^ A& A@ A ] A& i q A^ a& A& aA^ & i^ A@ A^ a& A^ c  
 a& [ ~ } aA [ ~ E

D^ c^ A i& d [ , A a& o^ \* A^ A i A& A& } A@ At&d iA i A& a& @ aA ~ q { ^ } d& A& a& A& A& a& a& A& a& a& A  
 o A i& ~ | A b i^ a& A i A a& A [ { A& a& \* A ~ A& a& A& a& A ~ } A c^ i E&OPS-U- 0008 A@ A ] [ ] o& a& A& A i a& A& A c d a&  
 i& a& A& A& A& A^ E&OPS-U- 0008



D^ c^ A i& d [ , A& @ a i^ A i A ] A& a& A& A } E& i A& { ^ A& [ ^ A& A@ A i&d iA i  
 Q ] | ^ ^ } d& A& ~ a& i^ E& i E& i A^ a& E& i a& A& @ a i^ A } @ A& a& A& a& i^ A& a  
 i^ o [ ] o& a& A& A& A ] A& a& A& ] | ^ ^ } oA a& o& a& i^ oA ~ ] A i c& a& q } E& A@ ^  
 @ a& A^ a& A& a& A } a^ o& a& aA@ A ] A& i q A^ a& A& aA^ & i^ A@ A^ a& A^ c  
 ] [ ] A i A ] A& a& A } A@ At&d iA a& A& ] | ^ ^ } d& a& a& A& A @ a& a& A& a& a& A  
 ^ ] [ ~ } @ A^ a& A& a& A ] A& a& A& } d [ | o A& a& A& E&OPS-U- 0008



D^ c^ A i& d [ , A& @ a i^ A i A c@ i A i^ [ ] o A i A& A& } A@ A i&d iA i A& ] | ^ ^ } d  
 o& a& \* A ~ A& a& A^ ~ | o& A^ i& a& ~ A& b i^ A i A& a& A& E&OPS-U- 0008



O [ A [ oA [ ~ } oA iA& { [ ~ } oA@ A i&d iA @ A@ A i&d iA A [ c& \* E& [ ~ } c  
 c@ A i&d iA ] A @ } A@ A i&d iA a& a& A [ c& \* A a& o A& A& { ] | c^ A  
 o& d ] ] a& E&OPS-U- 0007



U&O&A&U&V&O&Y

U ] A& a& } A& & a& } A& E

# CD9F5HCB

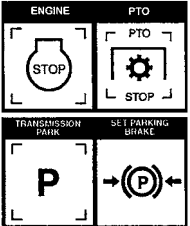
## ("&8 lga ci bhb[ 'h YfUwcf

Ó^-|^Áã{ [ ] } d\* Èá áÁ@Áíæq | Áã áÁ | | ^ ^ ) Ó{ ÁáÁæ[ ] } áá{ Á^Ç^Á~ | -æÈá } | Á@Á æáá \* Áíæ^É  
 áíÁ@Á } \* á^Á [ . } } Áã áÁ [ . ^ | Á@Á | | ^ ^ ) Ó{ Á@Á [ ] } áÈÁ@Á [ . } } Á@Áæq | Á } \* á^Áááá íáá \* Áí Á@  
 [ ] ^ íáá | q Á æ } ~ æÈÁ^ ( [ Ç^Á@Á^ Èá } áÁ æáÁ | ÁáÁ [ ç ] Áí Áí [ ] | ^ Ç^ Á í d | ÈÁ^Ç^Á^ Áæ^Á@Á^æÁ } çÁ@  
 dæq | ÈÁ Á } \* á^Á áÁáÁ [ ç ] \* Á æ@Áæ^Áí ( ^ Áí Ááí [ ] | ^ Ç^ Á í d ] È

W^Á@á áÁáá \* Áá áÁÇ^ | • Á @ } Á çáá \* Á@Áæq | ÈÁ^Áæ~ | Á - Á [ ^ Á Ç ] Áá áÁ^Á çdææ ç } Á @ } Á ~ áÈ  
 æÈ } [ . Á í Á @Á í æÁÁááá~ { ~ | æáÁ } Á@ÁÇ^ | • Á í Á@á áÁáá ÈÁW^ÁáÁáá ááá \* Áá áÁÇ^ | • Á í Á^ ] [ | Ç  
 æ } áÁ^Ç^Á^ • ÇÁÁ { } Á - Á@Áæq | ÈÁOPS-U- 0009\_A



ÓÓÓUÓÁæá \* Á@Áæq | Á^æÈá, æ • Á^Ç^Áæá \* Áíæ^Áá áÁ^ Á^Ç  
 @Áæq | Áí æ { • • } Á Á æ á \* Á^æÈá^ } \* æ^Á@Á^VUÈ d | Á@  
 ^ } \* á^Á^ [ Ç^Á@Á^ Èá } áÁ æáÁ | ÁáÁ [ ç ] \* Á æ@Áí Á í d | ÈÁæÁ@  
 dæq | Á @Á^Ç^Á^ d ÁáÁ, Áá \* Á^Á áá \* Á^æÁí Á^Ç^ ) @Áæq |  
 - [ { Á | | á \* ÈÁ^Ç^Á^ { [ ] } @ÁVæq | Á@Á Á [ ç ] \* Á í Á @Á^Á } \* á^  
 áÁ } } á \* ÈÁ | ^ Áæ^Á@Áíæq | Áí d | • Á [ { Á@Áæq | Á^æÁ } | ÈÁÓÈD



## ("GH5 FHCB; 'H<9 'HF57HCF

V@Á | ^ íáá | Á ~ • Áæ^Ááá { } | ^ Ç^ Á } á^ • æ } áá \* Á - Á@Á | æÁ^ ^ ) Ç^ } dç } Èá áÁ | ^ íáá } æÁ^ Á - Áá  
 dæq | Áí d | • Á - Á^ Á^ çá \* Á@Áæq | ÈÁ^Ç^ Á, Á@Áæq | Á | ^ íáá | q Á æ } ~ æÈá áÁ } • | Çáá Áæ ç | á^ á  
 á^æ^Áí | Áíæq | Á | ^ íáá } Á • d^ } • Á^ Á^ á^ áÈ

### 9ggYbhjU fUWcf 7 cblfc`g.

- ~ Sí ææ Á@Áá @Áí } d | Á, æ&ÇÁ
- ~ Sí ææ Á@Á } \* á^Á @Á - Áí } d | ÈÁ
- ~ Sí ææ Á@Á íæ^Á^ ááá \* Áá @Áí ~ ÇÁ
- ~ Sí ææ Á@Á^VUÁí } d | ÈÁ
- ~ Sí ææ Á@Áí [ á ÇÁ@Áí } d | Á^Ç^É
- ~ Sí ææ Á@Á@áæ | ÁÁ { [ ÇÁí } d | Á^Ç^É

### 6 YzfYghfjb[ 'h YfUwcf Ybgi fYH YZ`ck]b[ .`

- ~ Ó [ ] á^ æáÁ | Á^ È çá | ^ íáá } Á • } ^ & ç } Áá áÁ^Ç^Áááá íáá \* Áí Á@Áæq | Á | ^ íáá | q Á æ } ~ æÈÁ
- ~ T æ Á^ Á^ | ÁáÁ^ æá^ ÈÁ @ | á^ Èá áÁ @Á^ Áæ^Ç^ Á^ Á^ Á^ & | ^ Á^ Á^ ÈÁ
- ~ V@Á æáá \* Áíæ^Áá } ÈÁ
- ~ V@Á^VUÁí } d | Á^Ç^Áí Ááá^ } \* æ^ÁáÈ
- ~ V@Áí [ á ÇÁ@Áí } d | Á^Ç^Áí Áá @Áí, ^ íáá [ • áá ] È
- ~ V@Á@áæ | ÁÁ { [ ÇÁí } d | Á^Ç^Áí Áá Á@Á^ dç [ • áá ] È
- ~ V@Áæq | Áí æ { • • } Á^Ç^Áí Áá Áá Áá Á^ dçÈÁ

Ü^Áí Á@Áæq | Á, } | q Á æ } ~ æÁÁ | Áæq | Á çá \* Á | [ & á^ Á^ ÈÁ ] | Á çá@Áæq | Á, Ç^ Á^ Áæ^Ááá á  
 á^ çá Á @Áæq | Á | ^ íáá | q Á æÈÁ^Ç^Á^ } æ • Á@Áí } áá } Á, æ&ÇÁ @ | ÇÁááá \* Á@Áæq | Á [ ] [ áÈ  
 ÇÁ Á@Áæq | Á } \* á^Á Á } } á \* Èá [ ááááá ] çÁí } çáÓ, æ@Á@Áæq | Áí æ { • • } Áí Á^Ç^Á^ Ó^ áá^ }  
 æ } áÁ^ Ç^ Á@Áæq | Á [ Ç^ ^ ) ÈÁOPS-U-0028

ÜÓÈÁUUVÓÜY U ] ^ íáá } Á^ & ç } Áí

CD9F5HCB



# CD9F5HCB

## ⚠ WARNING

Öl A [ of ] ^iæ Áö ÁÖ ~ q { ^ ) ö ä@äiæ |æÁ qÁ |Á ^|Áæ ä \* ÈÁU ä  
æ äÁ ^|Áæ ÁÁ c [ | • ä ^ Á ä ä Á @ ä Á | ^ • ^ ) & Á | ~ | ä Á | ^ • ^ ) ö ä @ ä ä ÈÁÖ |  
) [ ö & @ & Á | Á ^ ä • Ä ä @ Á | ^ Á @ ä ä Á Á ä | ^ • • ^ | Á q Á d ^ ä • Á | {  
ä | ^ ä • Á Á @ Á q ^ Á | ^ | ä Á ^ ) ^ d æ Á @ Á \ q Á ä ä / ä æ • ^ Á ä • ^ Á ä æ ä ^  
ä & | ä ä \* Á ä \* | ^ ) ^ ÈÁU Á & @ & Á | Á ä @ • ^ Á ä ÈÁU P W Á @ Á } ä Ö P Ö Ö Ö  
U Ö Ö Ä ä Á { [ ç ^ Á | Á @ ä i æ | ä Á | ^ • • ^ | ÈÁU ^ ä ä q Á | ^ ) ^ d æ | Á | ç • È  
• æ c Á | æ • • Á ä • Á Ö ä ä à | ä ä Á & @ & Á | Á ç ä ^ ) & Á - Á q Á ä • ÈÁÖ  
^ | ~ Á • ^ ) ^ d æ Á ä ÈÁÖ T U X Ö Á @ Á P U Ö Ö Ä ä Á @ ä ^ Á Á • ç ä ä ä ä Ö ä | È  
Ö Á q Á | ^ • Á ^ ) ^ d æ Á @ Á \ q Á ä ä / ä æ • Á b | ^ Á ^ ä ä Á | ^ ä ä ä | Á ä ä  
] @ • ä ä Á [ | ^ ä ^ ä ä | Á ä \ q | ä ä / ä ä Ä | | & ä ^ | Á ä ä Ö È | D



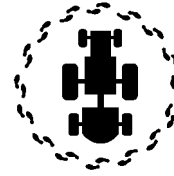
CD9F5HCB

## + "DF9!CD9F5HCB" =BGD97HCB'5 B8'G9FJ=79

Ö ^ | ^ Á ä ä @ Á • ^ ÈÁU | ^ È | ^ | ä ä } Á • ^ ä ç | } Á ä Á ^ | ç ä Á Á @ Á | | { ^ ) ö ä ä Á ä ä | Á • ö ä Á | ^ | { ^ ä È  
V @ Á & | ä • Á | ~ ç ^ Á ä ç ) ä & / ä ä ä Á & @ ä ^ | ä Á | ä i ä ä ä } È | • | ^ ä ç \* Á @ ä | Á ä æ c Á ä ç ä Á • Á ä ^ ~ q | ^ ä  
ä ä Á } & ç | ä È ä ä Á | ^ | { ä \* Á ^ ä ä ä Á } ä È Ö U Á P U V Á | ^ ä ä @ Á | ^ È | ^ | ä ä } Á • ^ ä ç |  
| ^ ç ^ ä | Á ^ Á | ä ä } Á ä ^ ä ç | \* Á ä ä | ^ | ä ä } È Á U | ^ | { Á } ä ä Á | ä ä | ^ ) ö | ä ä æ ä ^ ä ä ä ä q \*  
] ä ö Á Á [ | } Á Á | ç ä ä È Ö Á | ^ | { ä \* Á ä @ | | ~ @ | ^ È | ^ | ä ä } Á • ^ ä ç | } Á ä Á | ç ä È ä ä ä | ^ | } Á ä ^  
ä ä Á } ä ä | • ö ä ä Á ä ä | ä ä ä È Á O P S - U - 0029

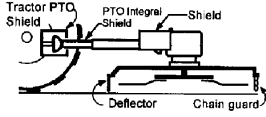
## ⚠ WARNING

U | ä ä ä ä | Á • ^ ä @ ä | Á | ç ä \* Á ä ö Á | Á ^ ä ä ä ä Á | ä ä Á @ }  
^ & • • ä ^ ä ä ä ä @ | ä ä ä Á | ç ä Á ä ä È Á | | Ä | Á | | ^ • Á ä ç | ^ | • È | | |  
| | Ä | | ^ ) Á ä ö È ä ä Á ä ^ Á | Á | | • ^ Á ä ç \* È Á ä ä Á | ^ Á | Á q • Á @ ä  
ä ä ä @ \* Á ä ä , ä È Á U | ä • Á b | ^ Á ä ä & & | Á | { Á | ö ä ä ä ä \* Á @  
{ ä @ ^ Á Á | | ä | | ä \* Á | ä | È Á U Ö È F # D



## ⚠ DANGER

È | Á U ä ç Á U @ | ä • È Ö ~ ä ä • Á ä ä Á U ä ç Á ä ç ä Á • Á & | ä ä \* Á ä ö | ç  
| ä ä ä Á D È Á @ Á Ö ^ | ä ç | • È Ö @ ä Á Ö ä ä • È U ç ^ Á Ö ä ä • È Ö ä ä | ç  
U @ | ä • È U V U Á ç \* | ä Á @ | ä • È ä ä Á U ^ d ä ä ä | Á Ö [ | Á U @ | ä • Á @ | ä  
ä Á • ^ ä ä ä ä ä ä ä ä ä ä | | ä Á | | ä \* Á | } ä ä } È Á U | ä ç ä Á • Á @ | ä Ä  
ä • | ^ ä ä ä ä | | ä ä ä ä ä ä | Á | ä ä \* Á | Ä | | ^ ) & | { | | ^ ) ö È Á ä ä \* È Á | | ^ ) È  
| | Á | | } Á | ^ • ö ä ä Á | ä ä ä ä } & Á | Á ä ^ & Á @ Á | • ä ä ä Á - Á b | ^ | Á ä ä @  
^ | { Á @ | } Á ä ä & È } ä \* | ^ ) ç | Á | ä ä ä | } ä ä È Á U Ö È F # D



Ü Ö Ö Ä U V Ö È Y

U | ^ | ä ä } Á U ä ç | Á È

# CD9F5HCB

CD9F5HCB

## †%HfUWcf'DfY!CdYfUjcb'bgdYWjcb#GYfjJW

Ü^▲|Ä Ä@Ä|æd|Ä] |æ |q Ä æ ~ æÄ Ä} • |^Äæ  
&{ } |^cÄ |^Ä] |æ } Ä • |^æ } Ä ä &@ä |ä  
• |çæ^Ä Ä | | | | ^ äæ& | ää \* Ä Ä@  
{ æ ~ æc |^ |^ • Ä^Ä { { ^ } äæ } • ÄV@Ä | | | , ä \*  
æ^Ä { |^ Ä Ä@Ä } • Ä@Ä ~ ä^Äæ Ä |çæ^Ä ä  
ä • |^æ } K



Op-13

- " VÄ^Ä } äæ } ÄÄ |^ • ~ |^
- " Y @^ |Ä \* Ä | | • Ä
- " Üc^ |ä \* Ää \ æ ^
- " ÜVUÄ @ |äÄ
- " ÜT XÄ ä } Ä Ä^æ } Ä ä Ää ä |^
- " Væd |q Ä @ Ä^Ä^æ } Ä ä Ä } & } æ
- " Væd |Ä^æÄ |^ Ä Ä [ | äÄ } äæ } Ä
- " Væd |ÄUUÜÄ Ä Ä [ | äÄ } äæ } Ä
- " ÜUUÜÄ Ä Ä @ Äæ^ äÄ [ • äæ }
- " P | Äæd |Ä äÄ^æ • Ä
- " Üææ |Ä^Ä Ä^ä |ä Ä
- " Ö ) \* ä Ä äÄ^c^ |Ä ä Ä } äæ }
- " Ö ) \* ä Ä [ | ä Ä^c^ |Ä ä Ä } äæ } Ä
- " Ü | , |Ä |æ^Ä^ äÄ^c^ |Ä
- " Ü | , |Ä c^ |ä \* Ä^ äÄ^c^ |Ä
- " Ø ^ |Ä } äæ } Ä äÄ^c^ |Ä
- " Ü ~ ä } Ä |ä äæ } Ä^Ä^ äÄ [ ä •
- " ÖÄÄ^ |Ä } äæ } ÄOPS-U-0030

- " Q • | ^ & Ä { | , |Ä |äæ^ • Ä ä ä Ä @ä , æ^Ä |Ä [ | • ^ } ^ • • Ä ä ä  
^c& • • Ä^Ä ^æÄ æ^Ä |^ Ä@Ä [ | , |Ä Ä^ & |^ |Ä | & ^ äÄ  
ä^ |^Ä^æ |ä \* Ä^ |^ Ä@Ä |Ä@Ä@Ä ^ & @ä äÄ^æ |Ä | & Ä  
^ ) \* æ^ äÄÜ^ |æ^ Ääæ æ^ äÄ , | | Ä ä äÄ | ä • ä \* Ä ) Ä^ • Äæ  
& { } |^cÄ^ • Ä Ä äæ Ä [ | , |Ä äæ & Ä  
" Ü { |çÄä ~ Ä |æ • Ä |Ä @ |Ä^ä |ä Ä , @Ä |æ Ää^Ä |ä } ^ ä  
æ | ~ } äÄ@Ä |ä ä |^ Ä  
" Q • | ^ & Ä@Ä } äæ } Ä - Ää & Ä \ äÄ @ ^ • Ä & @ä • Ä - ää • Ä ä ä  
@ä , æ^ ÄOPS-R-205



Ops-1251

ÜÖÖÄÜVÖÜ

U |æ } Ä^æ } Ä^€



# CD9F5HCB

## WARNING

U^i q a a e a f A q . ] ^ & o a e l A [ c a \* A a e o A l A ^ a e a e a A ^ | a e A a @ }  
 } ^ & . . a e A a o a e o l a ^ a A ^ i c a e A a e o E A S [ \ A f i A [ . ^ A a e o } ^ i . E a [ i ]  
 [ i A i [ \ ^ } A a e o E a e a A a e ^ A i A [ . ^ A a e a \* . E A T a e ^ A ^ i A e l A a . A e a ^  
 a a e a @ \* A e a a , a e E A U i a ~ . A b i ^ A a e A & i A i { A [ o y a e a e a \* A e  
 { a e a } ^ A A [ i a A [ i \ a \* A i a i E A U O E F O D



CD9F5HCB

V @ A ] ^ i a e l i q A a e ~ a A e a A a e a c A a } . A e a ^ a A }  
 c @ A } a e l } a e a A [ [ i a e o a . d ^ & a } . A } A o A a e  
 a e a A [ [ i A . ^ A A a o A ^ ~ a { ^ } e A T a e a e A o . ^  
 a [ [ i a e o a e a c A a e i ^ . A } A o A [ ] ^ { ^ } o a A [ [ a  
 & } a a e } A i A } . ^ i A o A e [ i { a e } A A e a e a i A i  
 c @ A ] ^ i a e l i A e a l A a . ^ E



Op-14

- ~ O ) . ^ i A e l A a e a c A a } . A e ^ A A i a e A e a A ^ \* a i ^ E  
 U i ] a e A { a . a \* E a a e a e ^ a E a e a A i ^ a i ^  
 a ^ & a e E A O P S - U - 0011 \_ A

**NOTE:** The mower Operator's Manual and affixed Decals contain important instructions on the safe and proper use of the mower. Maintain these important safety features on the mower in good condition to ensure the information is available to the operator at all times.

### U O C E O A E U O T O S Y

- ~ Q . ] ^ & o a e l } a a e } A A [ ^ } a \* A a e ^ A ^ i a { ^ } e
- ~ Q . ] ^ & o a e l } a a e } A A a e ^ A e . ^ { a i ^ E
- ~ O ) . ^ i A e l A [ i o A e a A & ^ . A e ^ A A [ . a e } A e a  
 a e A A [ [ i A i A i ^ ^ a E
- ~ O ) . ^ i A e l A a . A e ^ A A i a e A e a a A e o } ^ a A a o  
 . & ^ . E
- ~ O ) . ^ i A a e l A e a A i [ [ i A i A [ ^ } e a A e A d a e d i  
 a e a A e a a , a e A a A i [ [ i A a a . a e l a A a e a  
 a e a } ^ a E A O P S - R - 0099



Ops-1250

U O O A U U V O E Y

U ] ^ a e l } A ^ & a } A E F



# CD9F5HCB

CD9F5HCB

## YOU OWN THE MOWER

- Read and understand the operator's manual before operating the mower.
- Do not drink alcohol or use drugs before operating the mower.
- Do not operate the mower if you are tired or if you have been drinking alcohol or using drugs.
- Do not operate the mower if you are under the influence of alcohol or drugs.
- Do not operate the mower if you are wearing medication that may affect your ability to operate the mower.
- Do not operate the mower if you are wearing any medication that may affect your ability to operate the mower.



Read and understand the operator's manual before operating the mower. Do not drink alcohol or use drugs before operating the mower. Do not operate the mower if you are tired or if you have been drinking alcohol or using drugs. Do not operate the mower if you are under the influence of alcohol or drugs. Do not operate the mower if you are wearing medication that may affect your ability to operate the mower. Do not operate the mower if you are wearing any medication that may affect your ability to operate the mower.

OPS-R-215

### WARNING

Read and understand the operator's manual before operating the mower. Do not drink alcohol or use drugs before operating the mower. Do not operate the mower if you are tired or if you have been drinking alcohol or using drugs. Do not operate the mower if you are under the influence of alcohol or drugs. Do not operate the mower if you are wearing medication that may affect your ability to operate the mower. Do not operate the mower if you are wearing any medication that may affect your ability to operate the mower.

### WARNING

Read and understand the operator's manual before operating the mower. Do not drink alcohol or use drugs before operating the mower. Do not operate the mower if you are tired or if you have been drinking alcohol or using drugs. Do not operate the mower if you are under the influence of alcohol or drugs. Do not operate the mower if you are wearing medication that may affect your ability to operate the mower. Do not operate the mower if you are wearing any medication that may affect your ability to operate the mower.

YOU OWN THE MOWER

# CD9F5HCB

CD9F5HCB

ÜUVÖÿÿÁÒÖÖÁÐÜÚÖÖVÖÞ

- " Q•] ^&ö|æ^•Áæ áÀ|æ^Á| |ö Á| Á| [•^] ^•• æ áÀç&•• ã^Á ^æÉÜ| æ^Á Á|€»Á Á æ^Á| &@& ã \* Á^æ á|ÉÜ^| |æ^Ááæ æ^áÉ, [!] É æ áÀ{ ä•ã \* Áà|æ^•Áæ Á& [ ] |ç^Á•^ö Áç { æ æ^Á| æ^ Áææ& É
- " Ö)~!^Áà|æ^Á&æ|á|Á)~ö Áæ^Áç |~^áÁç ]:[ ] ^|Á] ^&æææ }•É
- " Ö)~!^Á^ àà^|Á^~^&ç |•Áæ^Áç Á| [•æ] Áæ á } [ Ááæ æ^áÉÜ^| |æ^Á, [!] É à| \^| Éæ á { ä•ã \* Á^&ç }•Á { ^áæ^| É
- " Ö)~!^Á@á|æ|æ^Á^•Áæ^Á| [ ] |^| & [ ] ^&ç á ç Á@Á@á|æ|æ^Á [ ç |ÉÖ@& Á| Á@á|æ|æ^Á |æ^Áç } Áç•^•Áæ áÁæã \* ÉÖÜÁUVÁ•^ [ ] |Áç á•Á| &@& Á| Á| ç^æ•ÉV^Áæ| á& [ Á@æ^ Á] æ^|Á| Á&æáà| æ^Áç &@& Á| | @á|æ|æ^Áç }•É
- " Q•] ^&ö|æ^•Áæ áÀ|æ^Á| |ö Á| Á| [•^] ^•• æ áÀç&•• ã^Á ^æÉÜ| æ^Á Á|€»Á Á æ^Á| &@& ã \* Á^æ á|ÉÜ^| |æ^Ááæ æ^áÉ, [!] É æ áÀ{ ä•ã \* Áà|æ^•Áæ Á& [ ] |ç^Á•^ö Áç { æ æ^Á| æ^ Áææ& É



**WARNING**

Ö| Á| [ ç ] ^&ç á•Á| Á^ç } á|Á| [ , ^|Á&&•ÉÖ|æ^Áç ] æ&çæ^Á^~|ç ã Á^|ã ~•Áç |^| Á| Áç^| Á^ææÖÜçæ^Áæ æ^Á } ç^Á| Á| [ ç ] Áç^ Áç ] ] ^á æ áÀç@Á&&•Áæ^Á^&ç |^| Á| [ &^áÁ ] ÉÜ



**DANGER**

Ö| Á| [ ç ] ^&ç á•Á| Á^ç } á|Á| [ , ^|Á&&•ÉÖ|æ^Áç ] æ&çæ^Á^~|ç ã Á^|ã ~•Áç |^| Á| Áç^| Á^ææÖÜçæ^Áæ æ^Á } ç^Á| Á| [ ç ] Áç^ Áç ] ] ^á æ áÀç@Á&&•Áæ^Á^&ç |^| Á| [ &^áÁ ] ÉÜ



ÜÖÖÁÜUVÖÿÿ

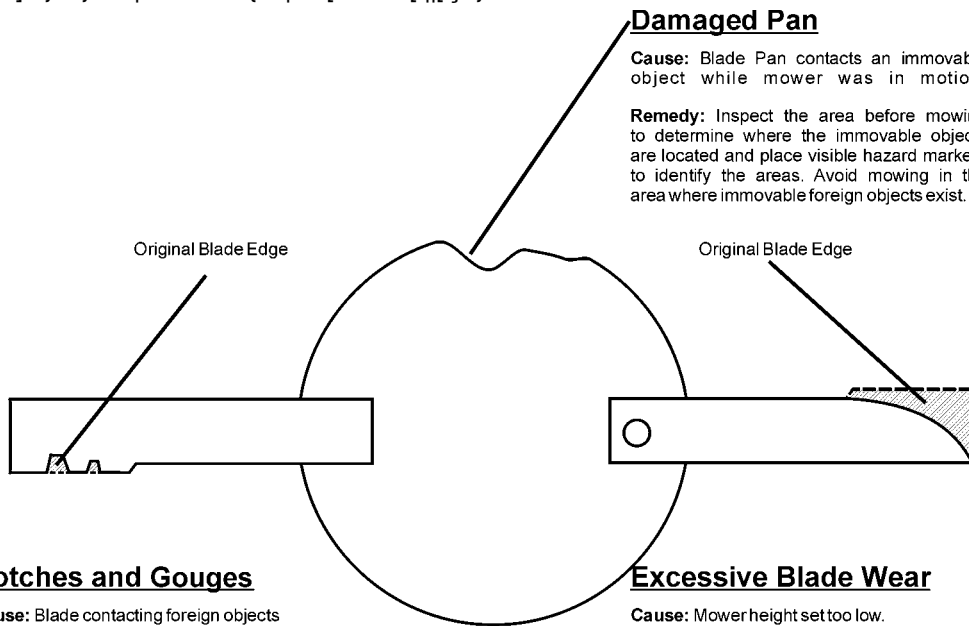
U] ^|ææ } Á^&ç } ÁÉ|

# CD9F5HCB

CD9F5HCB

## CD9F5HCB

OPS-U-0031



### Notches and Gouges

**Cause:** Blade contacting foreign objects  
**Remedy:** Inspect the area to be mowed and remove foreign objects that could cause damage to the blades

### Excessive Blade Wear

**Cause:** Mower height set too low. Blade used past intended life.  
**Remedy:** Replace blades more often. Adjust mower height for mowing conditions to eliminate blade-to-ground contact

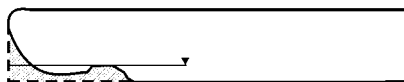
Op-22



OPS-U-0031

- " 1/2" MAXIMUM (12.7mm)
- " Original Blade Edge
- " 1/2" MAXIMUM (12.7mm)
- " Original Blade Edge

OPS-U-0032



1/2" MAXIMUM (12.7mm)

Original Blade Edge

**NOTE:**  
 Replace Blades in pairs after no more than 1/2" (12.7mm) wear  
 Op-23

OPS-U-0031

OPS-U-0032

# CD9F5HCB

CD9F5HCB

## Excessive Blade Bolt Wear

Q. ] ^ & o @ A O | a a ^ A O [ | o P ^ a a ^ A a a ^ A | A ^ a a e A | | , ^ a K

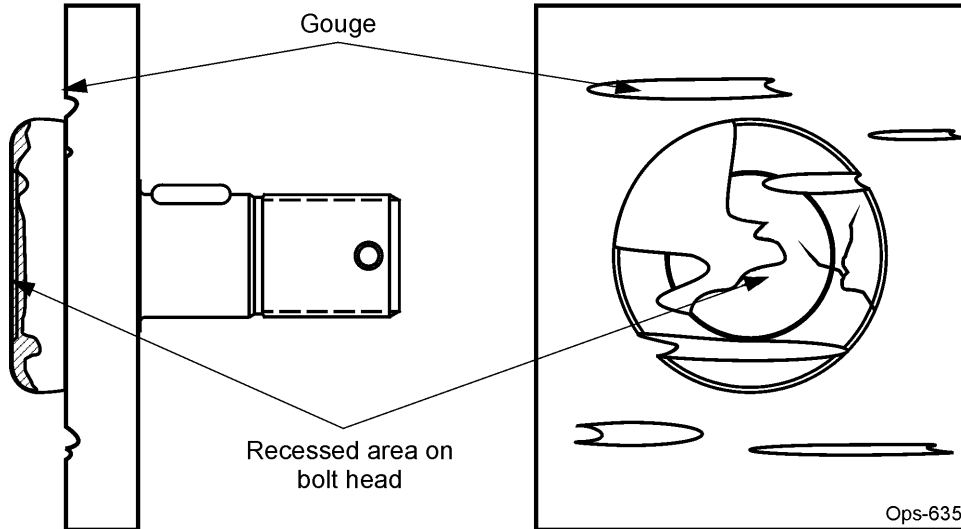
**Cause:** Blade Bolt contacts a foreign or solid object while Blade is in motion.

**Remedy:** Inspect the area before mowing to determine where the foreign objects are located and place visible hazard markers to identify the areas where immovable foreign objects exist, and avoid hitting the objects.

## Notches and Gouges

**Cause:** Blade Bolt contacting foreign objects.

**Remedy:** Inspect area to be mowed and remove foreign objects that could cause damage to the blade bolt.



Q. ] ^ & o @ A O | a a ^ A O [ | o P ^ a a ^ A a a ^ A | A ^ a a e A | | , ^ a K

- ~ X a a | ^ A | a a . A | A
  - ~ Q a @ A ^ & . . ^ a a e a a } A | a a ^ A [ | o P ^ A [ | ] A - A | A
  - ~ Q O | a a ^ A O [ | o P ^ A [ ~ \* ^ . A | A & Q ] ^ a a e a e E
- O a a ~ | ^ A | A ^ | a a ^ A a a } [ | ] a a ^ A [ | o P ^ a a e A | A a a a a a | A a a a d [ ] @ A a a ~ | ^ A - A @ A | a a ^ A a a a A b & a } A -  
 o @ A | [ \ ^ ) A a a } @ A a a a e A a a ^ a ~ . A [ a a } B | ^ A | A a a e E

5 ' k U n g ' f Y d ' U W ' 6 ' U X Y 6 c ' l g ' k ] H ' b Y k ' V c ' l g ' k \ Y b Y j Y f ' f Y d ' U W ] b [ ' H Y 6 ' U X Y g ' A O P S - U - 0 0 3 7

U O O A U U V O E Y U ] ^ | a a } A ^ & a } A e I

# CD9F5HCB

## Tractor PRE-OPERATION Inspection



Mower ID# \_\_\_\_\_ Make \_\_\_\_\_

Date: \_\_\_\_\_ Shift \_\_\_\_\_



**WARNING** Read the operator's manual for the tractor and mower before operating. The operator must be trained and certified to operate the tractor and mower. The operator must wear the seat belt and use proper operating techniques. The operator must not drink alcohol or use drugs before operating the tractor and mower. The operator must not operate the tractor and mower if they are tired or impaired. The operator must not operate the tractor and mower on a slope that is too steep. The operator must not operate the tractor and mower near children or bystanders. The operator must not operate the tractor and mower near power lines. The operator must not operate the tractor and mower near water. The operator must not operate the tractor and mower near traffic. The operator must not operate the tractor and mower near other equipment. The operator must not operate the tractor and mower near trees or other obstacles. The operator must not operate the tractor and mower near power lines. The operator must not operate the tractor and mower near water. The operator must not operate the tractor and mower near traffic. The operator must not operate the tractor and mower near other equipment. The operator must not operate the tractor and mower near trees or other obstacles.

Item	Condition at Start of Shift	Specific Comments if not O.K.
The flashing lights function properly		
The SMV Sign is clean and visible		
The tires are in good condition with proper pressure		
The wheel lug bolts are tight		
The tractor brakes are in good condition		
The steering linkage is in good condition		
There are no visible oil leaks		
The hydraulic controls function properly		
The ROPS or ROBS Cab is in good condition		
The seatbelt is in place and in good condition		
The 3-point hitch is in good condition		
The drawbar pins are securely in place		
The PTO master shield is in place		
The engine oil level is full		
The brake fluid level is full		
The power steering fluid level is full		
The fuel level is adequate		
The engine coolant fluid level is full		
The radiator is free of debris		
The air filter is in good condition		

Operator's Signature: \_\_\_\_\_

**DO NOT OPERATE an UNSAFE TRACTOR or MOWER**

Do not operate the tractor or mower if you are not trained and certified to do so.

© 2013 Alamo Group Inc.

U] ^! a& } Á ^ & a } Á È Ì

**CD9F5HCB**

# CD9F5HCB

## Side Rotary Mower PRE-OPERATION Inspection



Mower ID# \_\_\_\_\_ Make \_\_\_\_\_  
 Date: \_\_\_\_\_ Shift \_\_\_\_\_



**WARNING** Read the operator's manual before operating the tractor. The operator's manual contains important safety information. Failure to read and understand the operator's manual may result in injury or death. The operator's manual is located in the tractor. The operator's manual is also available on the manufacturer's website. The operator's manual is available in English and Spanish. The operator's manual is available in other languages upon request. The operator's manual is available in large print upon request. The operator's manual is available in Braille upon request. The operator's manual is available in audio format upon request. The operator's manual is available in video format upon request. The operator's manual is available in sign language upon request. The operator's manual is available in other formats upon request. The operator's manual is available in other languages upon request. The operator's manual is available in other formats upon request. The operator's manual is available in other languages upon request. The operator's manual is available in other formats upon request.

**Table 1:**

Item	Condition at Start of Shift	Specific Comments if not O.K.
The Operator's Manual is in the tractor		
All safety decals are in place and legible		
The hydraulic cylinders pins are tight		
There are no leaking or damaged hoses		
The mower deck is clear of cut grass and debris		
Chain guards/deflectors are in place & in good		
Blade carrier retaining nut is tight		
Blades are not chipped, cracked or bent		
Blade bolts are tight		
Wheel lug nuts are tight		
Transport locks are in good condition		

Operator's Signature: \_\_\_\_\_

**DO NOT OPERATE an UNSAFE TRACTOR or MOWER**

© 2013 Alamo Group Inc.      U] ^! aā } Á^&ā } ÁĒİ

**CD9F5HCB**





# CD9F5HCB

CD9F5HCB

### +) 'GfUhb| 'h YHFUWcf

V@A[| &a~ |^At Á c@Á z@Á |Á Á [ a^Á ] ^&æE  
Ü^~|Á Á @Á z@Á |Á ] ^|æ |q Á æ ~æÁ |Á c@Á \*  
] | | &a~ |^Á |Á [ ~ |Á z@Á |æÁ z@Á |ÉXÓ ] • ~ |oæ  
æ c@ |ä ^a^Á ^æ |Á Á @Á c@Á \* Á | | &a~ |^Á  
~ } & ^æÉXÓ ) • ~ |^Á @Á É [ q oæ ] d | |Á çÁ |Á Á Á @  
|| , ^|^Á [ • z@ } æ a^Á @Á VUÁ Á Á ^ } \* æ ^a^Á | ^  
• c@Á \* Á @Á z@Á |ÉOPS-U-0033



Op-24

### +) '6fU Y'Ubx'8 |ZZYfYbhU' @W 'GYHb|

T æ ^Á ~ |^Á @Á z@Á |Á |æ ^• Á æ Á Á [ | a^Á ] ^|æ \*  
& } a^á } ÉV|æ z@Á |Á |æ ^• Á æ Á Á ^á |Á | ^|æ  
q a^Á ) a^Á d^ Á [ | , q \* Á q \* |^Á z@Á @Á |Á |æ q \*  
æ z@Á } Á |Á | & ^á Á \* ^c@Á |Á Á | | çæ ^á q ~ |æ | ^  
|^æ Á @Á |Á |æ q \* ÉXÓUÜÁT UÜVÁÖÜXÇ ÖÁÖ Ö  
UÜÖÜÇÇ ÖÁÖU Þ ÖQW Þ ÜÉV Þ ÖÁÜ ÖÇ ÖÁÜ ÖÖÇSÜ  
ÜPUWSÖÁÖÁSU ÖSÖÖÁVU ÖÖV Þ ÖÁVU ÁÜÜXÇÖ  
VPÖÁT UÜVÁÖZÖÖVXÇ ÖÁÜ ÖÇÇ ÖÁÖ V W Þ É



Op-25

OÉ, æ • Á ä ^ } \* æ ^Á @Á z@Á |Á ä ^ ^ } çÁ | & Á @ }  
c | } q \* ÉY @ } Á } \* æ ^a^Á @Á Á ä ^ ^ } çÁ | & Á q |  
| ^ç ^ } oÉ | Á q æ Á @Á z@Á |Á | { Á ! } q \* ÉÖ ^ | q \*  
} | | { çÁ z@Á \* Á [ } a^á } • É | & q \* Á @Á Á ä ^ ^ } çÁ  
| | | çæ ^ Á [ Á ^ } ^ z@ } a^Á @ ^ | á Á [ ç ^ Á • ^ ä ÉÁ

OPS-U- 0013

# CD9F5HCB

CD9F5HCB

## +\* '8 f]i ]b] 'H YHfUWcf 'UbX'a d`Ya Ybh

Úcœœ -Áiãq \*ÁœÁÁ[[, Á]^^áÁœ áÁiœœ œ^ Áœ &^œ^Á[~Á]^^áÁ @^Á œœ œq \*Áœ { }|^œ^Á}d[|Á -Á@  
 dœœ |Áœ áÁ} ãËN [çq \*Á[[, ]^ÁœÁ•œ q]Áœ [Á|^ç^] œ@Áœœ |Á{ Á^œq \*Á} Áœ áÁ[••Á -Áœ^Áq \*Áœ]d[|É  
 V@Áœœ |Á @~|áÁ^ç^|Á^Á] |^œ^ÁœÁ^^á•Áœœœ} [œ^Áœ^|Áœ q|áÁ |Á @œ q]Á|^ç^} œ@  
 []|^œ |Á{ Áq]} q \*Á~ œ|^Á~|q \*Áœ Á{ ^\*^} & ËQ@Á, |^Áœ^Áq \*Á|Á} \*q^Áœ^•Á |^œq \*Éq]  
 œ@Áœœ |Á { ^áœœ|^Áœ ÁœÁœœ |Á q]Á^Áœ-œ |œ Áœ]d[|É

Ú|^{|{ Ác }•Á œœœ |Áœ áÁ} œ Áœ[[, Á]^^á•Á Áœ^ç^|{ q^Áq, ÁœÁœœ |Á œœœ Áœœœ@áÁœœ^Á:  
 |œ^Áœ q|á•Áœ^ } ËO^ç^|{ q^Áœ@ÁœœÁ]^^áÁ Á œœ œq Á| |^Áœ}d[|Á -ÁœÁœœ |Á @} Á œq \*Ác }•É  
 Y @} Ác } q \*Á œœœ, ^áÁ ]|^ ^} ËœœÁç^|œÁ [ |] q \*Á} \*œÁ -ÁœÁ} œœ Áœ &^œ^áËO[[, Áœáœq} œ  
 &^œœ &Á |ÁœÁ} œ Á @} Ác } q \*É

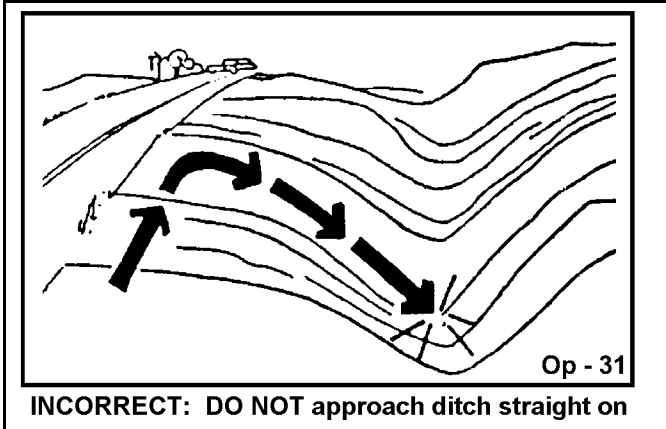
V| Áœ[ œÁç^|c }•É |Áœ^Áœœ |Á œœœ^Áœ áÁœœœÁ]^^á•É•^&œ^ Á @} Á |^œq \*Áç^|Á[~ \* @  
 \*|^ } áË[[••q \*Áœœ@Á|Á[[ ^•Éœ áÁc } q \*Áœ } |^•ËV|œœ |Á @^|ÁœœÁ] œq \*Á @~|áÁ^Áœ &^œ^á  
 , @} Á [ |] q \*Á} Áœ & q^Á |Á[~ \*œ|^ ]} áÁ Áœ^ &Áœ@Á[••œœœ Á Áœ] q \*É

W^Áœd^ ^Áœœ q} Á @} Á |^œq \*Á} Áœ^Á Á[[ ^•Ë^ ÁœÁœœ |Á Áœ, Á^œÁ @} Á [ q \*Áœ, } @ËO  
 PUVÁœ œœ |Á^^É @^|Áœ, } @ËOPS-U-0014

## +\*+\*

Y @} Áœ } -[ ] ç^Á q œœœ Áœ & q^Á |Áœœœœ [ Á c  
 œ ] | œœœ { Áœ Áœ \*|^Á @œœ Á|^ } áœ |œÁ:  
 •dœœ @Á} Áœ Áœ œ^Á œÁ & É

Y @} Áœ [••q \*Á~ &œœ |œœ Ëœœ ]|^ ^} œ @~|á  
 áÁœ |^Á, |^áÁ |Áœ, |^Áœ^ ç^|Á -Áœœœ Áœ á  
 œá^áÁœœœ ËOPS-R-206

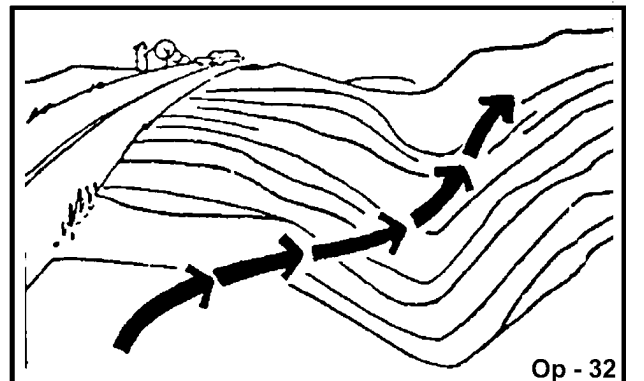


CD9F5HCB

CD9F5HCB

Q&]a ^•Ae aAsa&•A @ ^]aAs^Ae ] | | s&@ aAe] } \*Ae  
 ]a ^A @AAsaAe } \*^Ae A @ , } EAV @ Ac ] ^A ~  
 ] A@A ] A^a & A@A ] ••aaac A A^• ] q \* Aae a^E  
 Q@A : aA } oA A [ A c^ ] A oA^ & @Ae A ] | | s&@  
 q &^ae ^•A@A ] ••aaac A AAsae d ] A [ ] E c^ ] A^ ^&c  
 a } Aa c } } Aa A [ ••q \* A aE

Y @ } A ] ^ ] aae \* A@A : aad ] Aa aA [ , ^ ] Aae [ ••  
 • [ ] ^•Ae aA q& ] ^•A@ [ ^ • @Aae@•Eae aA c@ ]  
 ^ c^ ] A : ] aae A ] aae } •Eaa A ] [ : ] aA A aae }  
 • ~aa } oA A [ A ] A [ ^ ] aAs^ aae & EAV aae A ] s&c  
 , a@A A [ ] ^ ] aA aA s&e ^•A [ aa [ & ] Aa aA c@ ]  
 a^a : a A A A c@ [ , } A^ oA [ { A } a^A c@ A [ , ^ ]  
 !^• ] q \* A A [ ••aa ] A b ] Aa aA ] A [ ] ^ ] c^ ] Aae a^E  
 O [ ] ^ ] aA } aae } A [ ] a^ & AAs^ c^ ] A A & A ] aae  
 [ ] A c@ A [ , ^ ] A : aA aA aA A c@ A [ , ^ ] A : aA  
 !^• ] q \* A A [ ••aa ] Aae a^Ae aA ] ^ ] aae ] A^ aae  
 OPS-R-207



CORRECT: Approach ditch at an angle

,"CD9F5HB; 'H<9 'HF57 HCF '5 B8 'AD@A9BH

H<9 'CD9F5HCF 'AI GH7 CAD@H9 @MI B89FGH5 B8 ' <CK 'HC 'CD9F5H9 'H<9 'HF57 HCF '5 B8  
 =AD@A9BH'5 B8 '5 @7 CBHFC @ 69: CF9 '5HH9ADHB; 'HC 'CD9F5H9 'A@A ] ^ ] aae ] A^ ^•AAsaAe a  
 ^ ] a^•Aae aA@A Aae c^ ] Aa aA ] ^ ] aae ] A^ ^•Aae } •A A c@ A [ ] { ^ } aA aAsae d ] A ] ^ ] aae ] q A a^ } a^ EAV @• ^  
 { a^ } aA ^ • oA A^ aae } aA c ] aae a^A Aa ^ A ] ^ ] aae ] A @ Aae } [ oA aae EAV ^ c^ ] Aae [ , A [ { ^ ] ^ A A ] ^ ] aae A c@  
 a ] ] { ^ } aA aAsae d ] A a q ^ oA { ] ] c^ ] A ] ^ ] aae \* A • d ^ & c^ ] • E  
 O^ ] ^ A aae } \* Aa ^ A ] ^ ] aae ] EAV @ A ] ^ ] aae ] A^ ^•AAsaAe { ^ Aae aaA a@A@ Aae aA ] ^ ] ^ aA Aa aAa ^  
 [ a^ ] aA ^•Aae aA@A ] aae aA A a c^ ] Aa } • ] A aae c^ ] A c@ A ] ^ ] aae ] EAV ^•Aae a^•Aae aA ^ q { ^ } EAV ] ^ aae  
 aae } q } A @ ^ ] aAs^ aae A A ] A a^ A a : a EAV ^•AAsaAe EAV ^•AAsaAe EAV ^•AAsaAe A [ ] ^•Aae aA a^•Aae aA aA aA aA aA aA aA  
 OPS-U- 0015

**WARNING**

Ocd^ { ^ Aae ^ A @ ^ ] aAs^ Aae ^ } A @ } A ] ^ ] aae } \* A^ aae A [ • ^ A ab & • A ^ &  
 a A : aae ] EAV [ & • EAV a^ EAV aA c@ ] A a : a EAV • ] ^ & oA@ Aae aae A^ ] A  
 { [ , q \* EAV ] A^ } A ab & • A @ ^ ] aAs^ A^ { [ c^ ] aA [ { A c@ A aA A ] ^ ] aae } c  
 { aae } A aae a^Aae aA ] Aa [ a^ ] Aa b ] ^ A ] A c^ ] A aae aA@E ] A ab & • A c@  
 &ae } [ oA A^ { [ c^ ] aA ^ • oA A^ aae ] A aae aA aae aA aae ] A aae [ aA aA A c@  
 [ ] ^ ] aae ] EAV ] d ] A [ , q \* A { ^ aae ] A aae aA aae ] A aae aA aae ] A aae & c^  
 U^ ] aae ] A aae aA aae aA aae ] A [ d ] A ] A aae aA aae ] A aae aA aae ] A aae aA  
 a^ ] A^ • { q \* A [ , q \* EAV } OT B D



UO OAUUV OEU U ] ^ ] aae } A^ & c^ ] A^ ECG







# CD9F5HCB

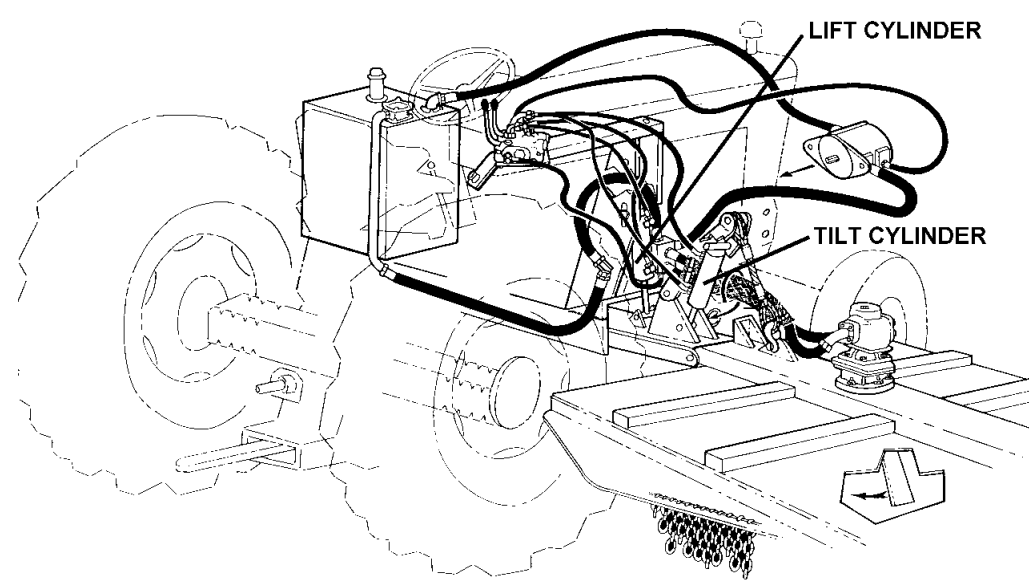
CD9F5HCB

## ACK9F H

V@Á@ a|Á^æ^Á@Á) ¢ÁÁ-Á@Áæd |Éæc æ^Á@ÁáoÓ |á á^ÁÁQ à[ æáÉ  
 Ú |á \* Á@Áæç^Á@ a|ÁÁæÁ É, æáÁ@Á |Áæ |Éæ æ^Á@ÁáoÓ |á á^ÁÁ Áæ^Á@Á@Á) •á } ÁÉ( È  
 Q@Á@ a|ÁÁ Á^æ^Á@Áæç^Á |Áæ d { ææç Á^c } ÁÁÁ) ¢ÁÁ aÁ@Á@Á) •á } ÁÉ( Á |ÁÁÁ & ÁÁÁ  
 ]|æÁÉ  
 Ú • @ \* Á@Áæç^Á@ a|ÁÁ, æáÉæ æÁ[ { Á@Á |Áæ |Éæ æ^Á@ÁáoÓ |á á^ÁÁ Á, Á@Á@Á) •á } ÁÉ( È  
 Ú |á \* Á@Á@ a|ÁÁÁ@Á æÁæÁ Á ¢ÁÁ & Á |æÁ-Á@Á [ , ÁÁáoÁ } & ¢ÁÁ ÁÁ |æÁÁ, á \* Á@Á } áÁ ÁÁ  
 æáÁæÁ æÁÁÁ |æÁÉ

## ACK9F H-Q

V@Á@ a|Á^Á@ÁÁ) ¢ÁÁ-Á@Áæd |Éæc æ^Á@ÁáoÓ |á á^ÁÁQ à[ æáÉ  
 Ú |á \* Á@Áæç^Á@ a|ÁÁæÁ É, æáÁ@Á |Áæ |Éæ æ^Á@ÁáoÓ |á á^ÁÁ Áæ^Á@Á@Á [ , ÁÁÁæÉ  
 Q@Á@ a|ÁÁ Á^æ^Á@Áæç^Á |Áæ d { ææç Á^c } ÁÁÁ) ¢ÁÁ aÁ@Á@ÁæÁ |ÁÁÁ & ÁÁÁ |æÁÉ  
 Ú • @ \* Á@Áæç^Á@ a|ÁÁ, æáÉæ æÁ[ { Á@Á |Áæ |Éæ æ^Á@ÁáoÓ |á á^ÁÁ Á, Á@Á@Á [ , ÁÁÁæÉ



Op-206

## <958 D-H7 <

Q& |Á@Á@Á æÁÁ æÁÁ |Áæ { } ÁÁÁ ææ^Á [ |Áæ ¢ÁÁ Á^Á |Áæ { æ & ÁÁ ÁÁÁ |æÁ [ , Á^É  
 P^æÁÁæçÁÁ ÁÁÁ ÁÁÁ Á@Á |æÁ) • @ Á-Á@Á [ ] ¢ÁÁ-Á@Á [ , ÁÁÁ Á@ÁÁæÁ-Á@Á [ , ÁÁÁ ÁÁ, ÁÁÁ { Á@  
 • æÁÁÁ@ÁÁÁ ÁÁÁ ÁÁÁ |Áæ |Á@ÁÁÁÁ |æÁ [ , Á^ÁÁÁ |Á@ÁÁÁÁÁ@ÁÁ [ ] ¢ÁÁ-Á@Á [ , ÁÁÁ ÁÁ  
 á^c ÁÁ } ÁÁÁÁ áÁÁÁ, ÁÁÁ Á@Á |æÁÁÁ@ÁÁÁ

Ú@ÒÁUVOÛÿ U |Áæ } ÁÁ& ¢ÁÁ } ÁÁÉ







# CD9F5HCB

CD9F5HCB

## - "&7 cbfbc`@WUjcb`UbX: i bWjcbg

V@Á ã^Á [ , ^!Á@ã @ÁÁ } d[||^áÁ ã@ÁÁ [ Á!Á@^Á ] [[ Áçç^Áç áÁÁ [ |!áá æ^áÁ Á @, } Á^ [ |, ÈV@  
[ ] ç } çÁ@^Á ] [[ |Áçç^Áç |, • Á!Á@Á ] ^!æ } Á Á^áÁ ç Á [ , ^!Á!Á ã^ÁÁ @!ÈÁ@Á ) çÁ Á ~ á ] ^á  
, ã@Á@^Á ] [[ |Áçç^Áç [ Á [ ç ] ^!æ Á@Á@áÁ ] [[ |Áçç á^Á ] |•• Á^áÁ ç Á ç Á!ÁÁ @!Á Á [ ~ ] ç^È



Ops-1246

V@Á ã^Á [ , ^!Á@ã @ÁÁ } d[||^áÁ ã@ÁÁ [ ç ç^ÁÁ ] d[|Áçç^Áç |, Á@Á • d' &ç } • Á!Á@Á } d[|Áçç  
ç@ÁÁ çç |Á ] ^!æ | ç Á ç ~ ç ÈV@ÁçÁ Á@Á çÁ [ , ^!ÁÁ } d[||^áÁ ã@Á@ÁÁ ] [[ |Á Á@Áççç^Áçç áÁÁ  
& [ |!áá æ^áÁ Á @, } Á Á ] i fYCdgl!%& \* "

V@Á ã^Áçç áÁ^áÁ [ , ^!Á [ • çç } • Á ç Á ] ç } çÁ Á^Á } d[||^áÁ ã@Á@ÁÁ çç | ç Á^ [ ç Á@á!æ | çÁ } } ^&ç } •  
[ |ÁÁ ] { áá çç } Á Áççç^Áçç áÁ^ [ ç Á@á!æ | ç ÈÁ [ ÈÁ^ç { ç ÁÁ çç [ • çç } Á Á@Á ã^Á!Á^áÁ [ , ^!Á  
ç Á^Á } d[||^áÁ Á çç^ [ ç Áçç^È

V@Á ã^Á [ , ^!Á Á Á Á Á, ãççÁ [ ççç^áÁ Á, ãççÁ [ çÁ [ ~ ] ç^áÁ Á@Áçç^Áçç áÁ!ÁÁ^Á } d[|• Á!Á [ ] È  
&ççç áÁççÁ } ç Á^ • ^&ç^ ÈÁ ] ^!æ \* Á^áÁ çÁ [ , ^!È@Á Á Á Á, ãççÁ [ ççç^áÁ Á@Á, ãççÁ [ çÁ ç@  
çÁ ã^Á [ , ^!Á, ãçç

V@Á ççç^Á çÁ^Á ~ á ] ^áÁ ã@Á Á ççç^Á çÁ [ ^!æ | ^Á çç ^ ÈÁ Áç ] Á çç ^ Á!Á çÁ | ^•• | ^Á çç ^ ÈÁ  
[ çÁ ] ^!æ | ^Á çç @ Á ççççç ç ] Á [ , ^!Á çç áÁ^Á Á fci VYg| cçh|b `GYWjcbÁ | Á [ • ç^Á çç • ^• ÈÁ^ ]  
çç áÁ^Á } ççççç ^• Á!Á ççççç } Á Á | à^ [ • È





# CD9F5HCB

CD9F5HCB

Y @}Á} & } c'ia \* Áa'í' Á^ç'í'Á } áã } Á @&@&e'•^•Á@Áiæd |Á Á çá|Éã^} \* æ^Á [ , ^Éã çáçáæd |É iæ^Á@Á [ , ^Ái{ Á@& çÁ@Á çáæd |Á ~Á a'Á } ^&Á@Á [ , ^Éã|æ^•Á a'Áã^Á |Á |Áæ æ^Á^ç'í'Á ^} \* æ^Á [ , ^Áæ æÉ

Q@Á|æ^•Áæ Á |Á ç ] Éã^} \* æ^Á@Á } &@& a'Áæ^Á@Á@æÁ|ã @' Á |Áæ^Á@Á@Áæd |Á Éã |{ æ' Éã@ , á|Á^æÁ@Á^ ç'Á@æÉã [ çÁ @ ç' ~Á@Á [ , ^ç Éãæ^Á@Á^ ç'Á@æÉã } Á ~Á@Áæd |Áæ a'Á^ó@ ] æ'á \* Áiæ^Éç'í'Á ç ] Á ç ] •Á { } |ç'í'Éãæ^Á@Áæd |Áæ a'Á^æÁ@Á^ çá \* Á@æ^Á æ' æ'É

**5ZYf'h YZfghXUmcZcdYfUjcbZU''Vc'lg'gl ci `X'VY'W YW'YX'Ub'X'hj[\ hYbYX'gYW fY nt'V@Á @~|áÁ^Á } ^ ] |á áæç'í'Á Á } •^|Á@Á |óÁ |Á [ óÁ& { ^Á [ •^Á a'Áæ^Áæ æ^ÁÁ Á@Áæd |Á |Á [ , ^Éã |Á b'í'Á Á@ [ ] |æç |É**

Y @}Á [ ^Á^ç'í'Á@Á } áÁ ~Áæ æ^Éã @' Áæ^Á@ { [ , ^ÁçÉ +Dá^ç'í'Á } } á \* Éã^ç'í'Áæ^Á@ { [ , ^Á } ç'í'Á @' Á@Á|æ^•Áæ^Á } } á \* Éã@ { [ , ^Á ~•Á^Áæ^Á@ @'Á@Á ÁGÁ { Á | } } á |ç'í'Éã^} \* æ^Á@Á [ , ^Áæ a'Á æÁ |Á ç ] [ , ^ | çá } Á |Á { ^Á |Áæ { } |ç'í'Á ç ] Á^ç'í'Á ] | &^áá \* Á |Áæ^Á@Á [ , ^Éã ÖXÓUÁæ^Á@ { [ , ^Á @' Á@Á|æ^•Áæ^Á } } á \* É



OPS-R-212

**WARNING**

Ö | Á [ ç'í'Á@Á@Á|æ^•Á } } Á @ } Á@Á [ , ^Á^Á& Á Áæ^ÁáÁ |Áæ ^ ^æ } Éã & } áá \* Á |Áæææ &Á |Á |Á } } á \* Éãæá \* Á@Á [ , ^Á& ^ç'í'Á ç ] [ •^Á@Á^ çá \* Á|æ^Á @&@&^æ^Áæ [ ç ] çá' Á^á ~•Á@æ æá æá |Á |Áæ^Áá ~•Á^á ~•Á b'í'Á |Á ç^} ÁææÁ { Á á b'í'Á@ [ , } Á | { ç@Á|æ^•Á ÇUT D



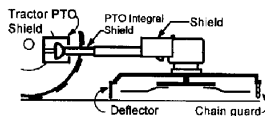
Ö | Á [ ç ] [ , Á |Á |Áæ^Á@Áæd |Á ç Á æ'í'Á@æ^Á } } á \* Á |Áæ^Á@æ^Á& } ç'í'Á } óá a'Á æÁ } çá Á ç • } [ ç'í'Á } } á \* Á æ'í'Áæ } æ\ Áæ a'Áæ æ'í'Á |Á |Á@ [ , } Á | { Á@Á [ , ^Á |Áæ^Á ~Á^ç'í'Áæ } Á@æ^Á á @ á } æ'í'Á^Áæ æ^Áæ Á & } |Á @ } Á |áá \* Á ç'í'Á@ ç'í'Áæ^Áá a'Á^æ^Á } Á@Áæd |Áæ a'Á [ , ^Á |Á |á } æ^Á^ç'í'Á çá \* Á Á^ç'í'Á { } ^Á^ç'í'Á } Éãæ'í'Áæ^Áá çá \* á @ |Á } Á@Áæd |Áæ |Á ^•Á |Á çá \* á @ ] [ •^Á^Á^Á } & } } c'í'Áæ

ÜÖÖÄUUVÖÜY U |æç } Á^&ç } ÁÉHG

# CD9F5HCB

**DANGER**

001Uæ^c AU@|ã•EÖ~ æã•Aæ åAUæ^c Å^çæ•Aæ &|~ åå \*Aæ~ 0] c  
 |ã æããAæ Dæ@Ä^+&ç|•EÖæã ÄÖ~ æã•EÜc^|ÄÖ~ æã•EÖ^æãà[ ç  
 Ü@|ã•EÜVU/ç ç\*|æA@|ã•Eæã åÄ^dææã|ÄÖ[[|ÄÜ@|ã•A@~|ã  
 à^A^•^ãAæ åA æã æã^ãAæ A[[|ãÄ | |ã \*Aæ|}ããã} EÖ00|Aæ^c Å^çæ•A@~|ãÄ^  
 å•] ^&cããAæ^~|| ÅæAæãæã Ä|Ä ä•å \*A|Ä| |^ ) &| { | | ) ^ ) •EÄ ä•å \*EÄ| |^ ) É  
 [|Ä| | | ) Åæ{ •A ~•A^A^| |æããAæA} &A Ä^ã &A@Ä| ••æãã Ä^A b|^ Ä|Ä^æ@  
 +[ { A@[ , } Ä àb&ç EÄ } çã \*|^ ^ ) çÄ|Ä|æã^Aæ| } çæçÄ PÖT #D



**WARNING**

T æ^ AæãããAæ àb&ç EÄ~ &@æ A ä^Eæã|EÄ| |^EÄ| &@æã •Eææ Å^&| { ^A^ } çã \*|^ãAæ A@  
 [| |^æã \*A æç Ä^A@Ä | , ^|Ä@æãEÄV@•^Aæ{ •Aæ |ãÄ@} Ä, å \*A~ çæãA@Ä@~ •å \*Aæ  
 \*|^æ|^A^| | &æã•A@æ Ä@Ä|æã^EÄÜ &@æã ææã } Å^Açd^ ^|^ Äææãã[ •Aæ åAæ| |ãÄ^~|c  
 å A^|ã~ •A b|^ Ä|Ä^ç^ ) Å^ææ@ÄQ•] ^&A@Äæ çã \*Aæ^æA|Ä~ &@æ àb&ç Å^A^|^Ä | , å \*É  
 Ü^ { ç^Aæ^ ÄãAæ àb&çA[ { Ä@Ä æEÄ^ç^|Äæ| , Ä@Äæ çã \*A|æã^Aæ| } çæçÄ~ &@æ{ •É  
 çÖT #D

**DANGER**

V@A| çæã \*A æç Ä^A@Ä æç^A@æ^Aæ^ ) Å^•ä } ^ãAæ åAæ^çãAæ|A~ \*\*^ãA^E  
 P[ , ^ç^|EÖ@Ä|æã^•Aæ |ãÄæãA| | | ) Åæãã ä@æã EÄ| |æA àb&ç A~ &@æ Ä^çãã æã  
 |æã Aæ åAæ| &^çAç^ &c|^•EÄÜ &@æ | æçAæ |ãAææ^•A@Ä| |^ ) Ä àb&ç Ä|Ä^A@[ , }  
 [ ^ ç æããAæ^|^ Ä@æ çã^| | &æã•EÄV Ä^ã &A@Ä| ••æãã Ä^A | | | ^c Åæ æ^EÄ^|ã~  
 å b|^ EÄ|Ä^ç^ ) Å^ææ@Ä^ç^|Äæ| , Ä@Äæ çã \*A|æã^Aæ| } çæçÄ~ &@æ à•æã^•EÄ PÖT #D

CD9F5HCB



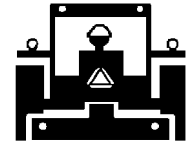




# CD9F5HCB



T æ^A&^i cæ A cæ@ A u||, A T [ çä \* A^ @&^+ A U T X D ä } A A } cæ^ ä A }  
 ~ & @æ } æ Aæ Ä A^ A&^ æ } A ç ä æ | A } ä A^ \* æ | E V @ } A ç ä } [ | çä \* A c  
 Ö ~ ä { ^ } ç^ A^ @ A^ i æ d | A çæ @ } \* A çæ } ä \* A ä @ Aæ ä Aæ |||, Aæ | A } æ  
 dæ æ A^ \* | æ } } E } öæ )



CD9F5HCB

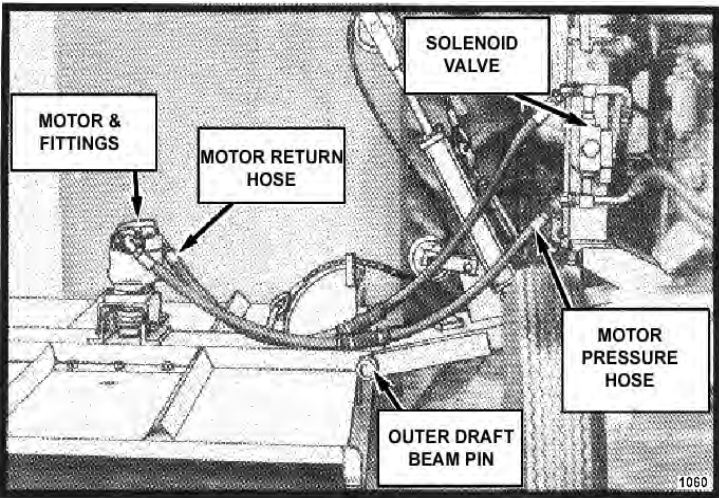
## %&'%HFUbgdcfHb| 'Ack Yf

HF5BGDCFHB; I B89F'H<9'I B+H6'CK B'DCK 9F

Y @ } A ç ä } [ | çä \* A^ c } A } æ ä A ç^ A^ | A^ c } A } A çæ \* A çæ \* A^ E } @ Aæ |||, ä \* A | [ & a^ | A^ @ ~ | ä A^ Aæ |||, ^ ä K  
 FÈ Ü @ ç^ A^ @ A^ |, ^ | Aæ A^ c } æ \* A @ æ ç D ä æ ä Aæ ||, Aæ | A [ çä } Aæ | { ^ Aæ | { } | ^ ç A çä | E  
 GÈ Ü æ ^ A^ @ A^ i æ æ } Aæ Aæ @ . çä [ . çä ] È  
 HÈ Ü æ ^ A^ @ A^ i æ A^ |, ^ | A } ç A^ @ A^ & A çä } . Aæ æ } ç A^ @ A^ i æ æ } Aæ È  
 I È Ü æ ^ A^ @ A^ i æ A^ |, ^ | A } æ A^ @ A^ i æ [ ä ç A^ @ A^ i æ } d [ | A^ ç A^ i æ V @ A } æ A^ |, Aæ | A [ . çä } Aæ | A^ | E çä } [ | çä } È

HF5BGDCFHB; I B+H'6M: G H698'HF5=@F

T [ . çä çä | . A } æ A^ i æ A^ | [ ~ } ç ä A^ |, ^ | A^ @ æ Aæ çæ @ ä A } æ A^ A^ ç A^ i æ \* çä çä } [ | çä \* A } æ çä F G A } æ A^ i æ |  
 çæ A^ æ } E } ^ A^ A^ @ Aæ |||, ä \* A | [ & a^ | A^ A^ \* çæ Aæ |||, ^ ä K  
 FÈ V i æ } [ | çä \* A } æ A^ i æ A^ |, ^ | Aæ çæ @ ä A^ A^ Aæ | æ ä \* Aæ | & A^ | Aæ } Aæ | Aæ æ A^ i æ çä | A } çä çä | E Ö ~ } ç A^ @  
 çä çä | A } æ A^ |, ^ | Aæ çæ @ ä A^ c } A } A^ @ A^ i æ A^ | A^ @ A^ i æ A^ | E æ A^ | ^ A^ @ A^ i æ æ } Aæ ä A^ @ æ Aæ A^ | |  
 | æ ^ ä Aæ ä A^ & | ^ ä E } , ^ | A^ @ A^ i æ A^ |, ^ | A^ | ç A^ @ A^ i æ A^ | E V & | ^ A^ @ A^ i æ çä | Aæ ä A^ æ A^ |, ^ | Aæ A^ @ A^ i æ A^ |  
 , æ çæ çæ \* E V ä çæ A^ | [ | ^ | A^ ç A^ i æ çæ çä | { æ Aæ ä A^ çä A^ @ A^ A^ çæ Aæ | Aæ ä A^ |, ^ | Aæ A^ ç A^ i æ çæ çæ A^ ~ ä A^ ä  
 ä Aæ E Ö @ & A^ @ A^ i æ çä | A^ | Aæ | çä çä } çä A^ | Aæ ^ A^ i æ çä | A^ ~ ä A^ | ^ } çä Aæ | Aæ } [ | çä Aæ æ A^ i æ Aæ | E  
 GÈ V i æ } [ | çä \* A } æ A^ i æ A^ |, ^ | A^ | [ çä ä A^ i æ A^ @ A^ i æ çä | Aæ ä A^ | } A^ @ A^ ) \* ä A^ - E V ^ { [ çä A^ @ A^ A^ Aæ | æ  
 æ æ æ } çä A^ çä çä \* E Ö || ^ A^ æ | A^ çä çä \* A^ | A^ @ A^ @ ä i æ | æ A^ A^ A^ | çä | ä E V | Aæ | æ Aæ | } çä ä æ æ \* A^ @ A^ @ ä i æ | æ  
 . ^ çä | E } æ A^ | ^ Aæ | Aæ çä \* A^ | A^ @ A^ i æ A^ |, ^ | A^ | çä | Aæ ä A^ | ^ | [ æ Aæ | } d [ | çä çä ^ Aæ Aæ | Aæ } E Ö ä & | } ^ & ç  
 çä | çä | A^ | A^ . ^ | A^ @ A^ Aæ A^ A^ | ^ | [ æ Aæ | } d [ | çä çä ^ Aæ Aæ | Aæ } E Ö ä & | } ^ & çä çä | çä | A^ | A^ . ^ | A^ @ A^ Aæ ä  
 | ^ çä | A^ | A^ . ^ | Aæ A^ A^ | ^ | [ æ Aæ çä E V ^ A^ | | i f Y C d g | % & & " "



UJ • EGG

ÜÖÖÄÜUVÖÜ

UJ | æ } A^ & çä } A^ E

# CD9F5HCB

CD9F5HCB

P^c0E8caj A|A|~\*Ac@Aq. ^A) a. Aej aAc@A [ |o A} Ac@A [ | } [ aAcaq^Aej aA [ q | EMO | Aa@a| ^AaOy [ , ^|  
 aa & } } ^8oAc@Aa@a| ^A| { Ac@A@aa| Aej aA^& ! ^Ac@A [ | . ^A) aAa@a| A} q Ac@A@a| ^A} aOAc@A@a| ^A| ^ca EMO |  
 aa| { a| AaO A [ , ^| Eaa & } } ^8oAc@Aej \ ae^A| { Ac@A [ | , ^| Aej aA^| | ae^Ac@A} Aej aA@a, ae^A} aOAc@A| aec  
 a^ae A| A| ^c^ ) o| •• EMO | Aa| A [ | , ^| E^ | [ c^Ac@A@a, ae^Aej aA| aeoA^ae A} c^| A} q| o| a EMO | ae^Ac@A@  
 { [ , ^| A@aa| A| { Ac@A@a| q | EMO | , EMO | • ca| Ac@A} q| o| a Aej aA@a, ae^A} q Ac@A| aeoA^ae A| A| ^c^ ) o| •• E  
**CD9B'H<9'65 @@J5 @9G'CB'H<9'<MBF5I @7'F9G9FJC=F'69: CF9'GH5FH-B; 'HF57HCF'5; 5-B'**  
 U|a} ~. Aa} ae^A} a| A^A@a • ^aAa| a| q | A} aec^ aA} aOAc@A} a| q | ^A}

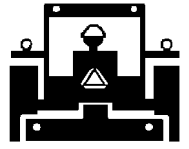
V^Aa| aa} \* A| & A| Aa} ] • A| A| aaAc@A| a| q | q Ac@A@a| EMO | c^| a} \* Ac@A@a| | A^c ^ ) Ac@A} aA} Ac@  
 daa| EMO | ae^A} ! ^Ac@A| a| q | aA^ae A [ , ^| Daa aA| a| A} aOAc@A} aOAc@A} ae^A} ] [ | q \* A} aOAc@A| , ^| Ac@A^ae  
 { [ , ^| A} q Ac@A| a| A} aA^oAc@A| [ ^A} aA} [ | , ^| A} Ac@A| a| EMO | ^Ac@A| a| q | aA} [ | , ^| A} Ac@A| a|  
 , aOAc@A} EMO | & Ac@A| a| q | A} | a| q | a} ~ ae^A} A} ^A} ^ a| ^ ) o| A| a| q | [ | oA^ A| a| aA| a| a| EMO | ^c^ |  
 oAc@A| [ & a^ | ^A} A} ] | aa| A} aA^ { [ ^ } oAc@A [ | , ^| A} ae^A| a| q | [ | q \* EMO | ^Ac@A} A} aOAc@A} ! ^Ea|  
 & } } ^8ca} • Aa^A} @Aej aA} ^ A| • o| a} aA^ | | ae^A} a| q | A} a} A [ | , ^| EMO | ^A} | Aa} A} @ | A} } } ^8ca} \* Aa|  
 ] a^Ac | A} a} • E

**%&'&HfUbgdcfj|b| 'cb'Di V|Wf cUXk Ung**

Ocd^ { ^A} ae ca} A @ | aA^A^ . ^aA} @ } A| a} • ] [ | q \* Ac@A@a| | A} aA} ] | ^ ^ } o| A} ~ a| a| A| aa, ae • EMO | Ac@A| a| q |  
 { ~ . oA^A^ ~ a} | aA} aOAc@A} | A} ^ aA^ ae^c A} ae} a} A} ae^ | ^ . A} & | a} a} \* AaUT XA { a| ^ { A} aA} ae @ \* A} ae} a} \*  
 | a @ A} A} | oA| a| q | A} Ac@A| a| q | A} | ^ . ^ } & EMO | ^ ^ { a| A} a| a| aa, ae • Aa^A} | a} a} aA^ . a} ^ aA| |  
 ae q { [ ca^ A| a| q | A} aA} [ . oA| a| q | A} a| A} [ | a} A} o| A} | EMO | ^ | ^ EMO | A} ~ . o| [ | A} o| A} | Ac@ { E  
 O @ & A | ^ | A} aA} a, A} a| [ | A} ^ ^ } q | A} aA^ ^ { a| A} a| a| a} a} A} a| A} ] | ae ca} a| ^ A} ae • A} Ac@  
 dae d | q | A} | , ^| A} | aA} EMO | ^ cd^ | ^ | A} ae ca} • A} @ } Ac@A} a} aA} ^ ~ a} ^ } aOAc@A} | ^ A} A} , a} A} a| A} a|  
 oAc@A| a} A} aOAc@A} a| A} a} a} aA^ | } aA} [ | A} a} A} Ac@A| aa EMO | OPS-R-217



T ae^A} | a| Ac@A} a| A} | , A [ ca} \* A^ @ | ^ a| UT XDA} A} A} • ca| a} A}  
 • & ca} ae^A} A} A} a| A} | A} a} a| ^ A} @ } A| a} • ] [ | q \* Ac@  
 O} ~ a} { ^ } o| ^ A} Ac@A| a| q | A} ae ca} \* A} ae} a} A} @ A} a} A} | | , A} | A} & ca}  
 dae aA^ ~ | a} } • EMO |



# CD9F5 HCB

CD9F5 HCB

V@ÚT XÁÚ||, È [ çã \* Á^ @&|^D^ { à|^ { Á  
 ~ } á^ • á^ { à | Á • á^ Á^ Á^ | óá | á^ • Á - Á @  
 ] | ^ • ^ } & Á - Á ~ á { ^ } óá á^ | á \* Á } Á [ áá, á • Á á á  
 • |, Á ] ^ á ÉÚT XÁ á } • Á á Á á á á ~ | á á á @  
 [ | á \* ^ Á á @ Á ^ ^ & á ^ Á á á á á Á | Á | c @ Á á ^ Á á  
 á á á á @ Á á á á á ÉÚT á á Á ^ | Á @ ÚT XÁ á } Á  
 & ^ á á á á á á | Á | { Á @ Á á á Á - Á @ Á } á á á | ^  
 d á • } [ | çã \* Á @ Á á á á | á á á á ] | ^ { ^ } á á ~ á á  
 | [ áá, á ÉÚT ^ ] á á Á @ ÚT XÁ { à | { Á á á á á É  
 á á á á á á | Á | Á | } \* ^ | Á ^ ^ & á ^ É OPS-U- 0020



Op-43

T á á ^ | ^ Á @ Á á | Á á á | Á á @ \* Á á } á \* Á á @ É  
 @ á á á @ É á á á á á á á á á á @ Á á Á } & á } á \*  
 ] | [ | ^ | Á á | ^ Á | & ^ á á \* Á } á \* á á á á á á á á @  
 } ^, ^ | Á [ á | Á á á á | Á @ Á | ^ } c Á - Á á @ á \* Á |  
 ] | çã Á á } á \* Á á } á \* Á á | ^ | á á \* Á á @ á É [ • c  
 [ | á | Á [ á | Á á á | ^ Á ~ á ] ^ á á á @ Á | ^ | á á \* Á á @ É  
 Ó ] • | ó á á á @ | á á á á á á | Á á á | Á | Á á @ á \* Á á  
 á á á [ á á á á ] • Á á á á | Á | Á \* | á á á @ Á á @ á \* Á }  
 [ | á | Á á á | Á [ á | É OPS-U- 0021



Op-595

Y @ } Á | ^ | á á \* Á } Á ~ á | á á | á á á • É @ á ^  
 & ] • á á á á | Á | Á @ | Á | á á Á • ^ | ÉÚT | Á | Á @ Á á á  
 [ - Á @ Á | á á á & á á á } á | Á | Á |, Á | Á | |, á \* Á á á á  
 á á á • ÉÚT [ Á | ó á á á á á @ Á \* á á ] ^ á á á á á á á á  
 ^ [ | Á | ~ } d Á | Á á á | c | á á á á á | ÉÚT, á • Á á á  
 á | ó á @ } Á á á • } [ | çã \* Á @ Á á á á | á á á ] | ^ { ^ } c  
 [ ] Á ~ á | á á | á á • ÉÚT ^ Á á á á } á á á á & Á ] ^ á á á  
 [ c | Á ^ @ Á ^ Á | Á | Á á á • d á á • Á á á Á @ Á á á É OPS-  
 U- 0022



Op-596



P á ^ | Á á |, & @ á | ^ } Á | Á @ | Á | ^ | • } Á á á Á | Á @ Á á á | Á | Á | | ^ { ^ } É  
 @ á á \* Á - á á Á • | ó á á á á ~ á á á | Á | Á á á á á É OPS-U- 0022

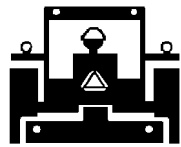


Ú ó ò à ù u v ó ü U ] ^ | á á } Á ^ & á } Á É

# CD9 F5 HCB

**WARNING**

T æ ^A& ^i cæ } A cæ@ A u|| , A t [ çä \* A ^ @ @ ^+ A U T X D ä } A æ A æ • cæ | ^ ä A æ } ^ & @ æ ä æ A æ Ä ^ A æ | ^ æ | ^ ç ä æ | ^ A æ ä A ^ \* æ | ^ E X @ } A ç ä } [ | çä \* A c @ Ö ~ ä { ^ } ç ^ A c @ A | æ ç | A ç æ @ } A æ } ä \* Ä æ @ A æ ä A | | , A æ | A | æ ç d æ - ä A ^ \* ~ | æ ç } • E } u ö ä )



Ü ä æ & ^ A ] ^ ä ä A ^ f | ^ A c } ä \* Ä | A æ } | çä \* A c @ A | æ ä • E Ö } • | ^ A c @ A | c @ A | æ ^ A ^ ä æ • A æ ^ A | & | ^ ä A | ^ A c @ | • @ } Ä | ^ | æ ç \* Ä } Ä ~ ä | æ Ä | æ ä • E OPS-U- 0023



Op-25

### %&" <U i |b| 'h Y HFUWcf'UoX'æ d'Ya Ybh

Ö f | ^ A c æ } [ | çä \* A æ | æ ä ä A c æ ç | A æ ä A } | ^ { ^ } ç { ^ æ ~ | ^ A c @ A ç æ æ ä A æ ç ä A æ ç ä ^ } • ä } • A æ ä A | • • ^ ä @ Ä - A c @ A | { | ^ c A | æ ä ä A } æ E X Ö } • | ^ A c @ A c | | æ ä ä ä | A ^ A | A | { } | æ ç & ^ A æ c @ A ^ \* æ ä ä æ ä A ^ ç | c @ A æ æ A c æ ä ä | A ^ A c æ | ^ ä A c | ~ \* @ OPS-U- 0024



Op - 46

**CD9 F5 HCB**





CD9F5HCB

CD9F5HCB

ùöòüuvöÿ

U] ^!æǻ } Á^&ǻ } ÁË G



**A 5 =BH9 B5 B7 9 'G9 7 H=C B**

T aq c} aq &^Á^&ca } Á E



# MAINTENANCE



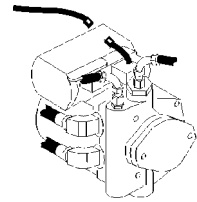
Do not modify or alter this Implement. Do not permit anyone to modify or alter this Implement, any of its components or any Implement function. (SG-8)



Relieve hydraulic pressure prior to doing any maintenance or repair work on the Implement. Place the Mower Head on the ground or securely supported on blocks or stands, disengage the PTO, and turn off the engine. Push and pull the control Levers or Joystick several times to relieve pressure prior to starting any maintenance or repair work. (SBM-6)



Always disconnect the wire leads from the mower pump solenoid before performing service on the Tractor or Mower. Use caution when working on the Tractor or Mower. Tractor engine must be stopped before working on Mower or Tractor. The Mower Blades could inadvertently be turned on without warning and cause immediate dismemberment, injury or death. (SBM-12a)

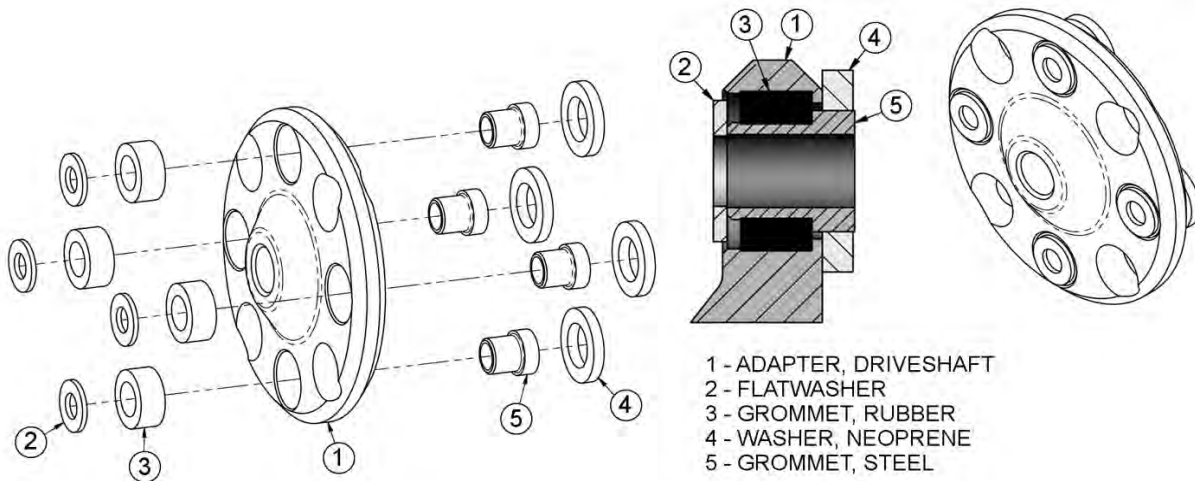


MAINTENANCE

## MAINTENANCE OF CRANKSHAFT ADAPTER ASSEMBLY (RIGID ENGINE MOUNT TRACTORS ONLY)

If replacement of components of the crankshaft adapter assembly is required, follow the assembly procedures shown below. Seat rubber grommet completely into counterbore, then seat steel grommet completely into rubber grommet while rubber grommet is supported.

(ASM-JD-0051 CRANKSHAFT ADAPTER MAINTENANCE)



# A5-BH9B5B79

## F9; I @ F`A5-BH9B5B79

V@/ 0'ççp ÁæÁ @æÁ^~ |æÁ^ççç \* Á @~ |áÁ^Á[ ] ^Áæ^Áæ^áÁ } Á@~ | Á Á ] ^Áæ } ÉÁ^Á@ Áæç | Á@~ |  
 { ^çÁÁ Á^ç | ç Á } Á^~ |æÁ^ççç \* Á Á^~ ááÉ

## 8 U]mcf'9j Yfm, ' < ci fg

#9A`

G9FJ=9

7CAA9BHG

Ö: ç^ÁÚ@æÁ [ \ ^ÉÁÉ ç c  
 BÁÚç áÁÚ@æ

Ö: ^æ^

Ö: ^æ^ Áæ ç • ç^ áÁ  
 á^æç^ áÁ æ ç } ç & ÁÚ^ ç }

Ú~ { ] Ö: ç^ÁÚ@æ

Ô@ & Á ç áÁ^ á^

Ö: ^ ÁÁ ç^ Á @æÁ } áÁ | ç

Ö: ç \ • @æÁ ç ç^ Á

Ô@ & Á^ áá^ Á | [ { { ^

Ü^ | ç^ Á | [ { { ^ Á ç ç^ á  
 [ | Á ç • ç \*

Úç [ ç [ ç ]

Š á | ç

Ö: ç Á^ á^ Á } ç^ Á } ^ ç^ Á } á

P^ á | ç | ç^ ç \*

Ô@ & Á ç | Á ç

Vá ç } Á } Á^ á^ áÉ  
 Ö: Á | ç^ Á @ ç á^ Á ç & @ & Á | Á | ç • É  
 Ü^ áÁ ç ç } ç & ÁÚ^ á ç }

S) ç^ Á

Ô@ &

Ö: ^ Á | Á ç • ç \* Á | Á ç ç^ áÁ  
 \ } ç^ Á ç^ ^ Á | Á @ } Á ç^ Á^ á^ á

Ú] ç á^ Á [ ~ } ç \* Á | |  
 Ç] ç á^ Á Á^ & D

Ô@ &

H ç^ Á | Á | ~ ^ Á Á H F ç • É

S) ç^ Á [ ~ } ç \* Á | |  
 Ç) ç^ Á Á^ \ D

Ô@ &

Ú: ^ ç^ á | ç^ Á @ ç^ Á ç } Á  
 ç | ~ ^ Á Á ç^ Á ç • É

Ö ç \ Á [ ~ } ç \* Á | |  
 Ç ç \ Á Á ] ç á^ L

Ô@ &

Í ç^ Á | Á | ç^ Á | ç | ~ ^ Á Á  
 Ç ç \ Á | Á | Á ç^ á Á ç • É

Ó |

Ô@ & ç ç • c

Ô@ & Á | [ \ ^ } ç^ Á } Á^ á^ á

T ç ç^ Á ç ^ ç á^ Ö &

Ô@ & Á

Ü ç | ~ ^ Á | | ç^ Á | ~ ^  
 • ] ^ ç ç ç } • ç Á ç & ç }

P^ á | ç | ç^ ç^ ç^

Ô@ &

Ç á^ Á^ ~ á^ á^ |  
 ç^ á^ & [ { { ^ } á^ ç }

Ü Ö Ö Á Ú V Ç Ü Y

T ç ç } ç & ÁÚ^ ç } Á É

A5-BH9B5B79

# A5-BH9B5B79

## K 99? @MCF'9J9FM(\$' < CI FG

#9A

G9FJ=9

7CAA9BHG

Ü[ æ^ Á] ã á^

Š à|ææ^

Òç^!^ Á €Á@~!•Á!Á ^\|

## K 99? @MCF'9J9FM)\$' < CI FG

#9A

G9FJ=9

7CAA9BHG

QÁ/æ \ Á^ á:æ |æÁ|~ ã  
Qç^! Á\$' a JWcb' Z'HYL

Ô@æ \* ^

Ô@æ \* ^ Áæç! Áá•Á €Á@~!•Á!} |  
@} Áç^!^ Á €Á@~!•Á! Á^æ|

QĚš^ ÁPã @Á!^•~ |^  
Qç^! Á\$' a JWcb' Z'HYL

Ô@æ \* ^

Ô@æ \* ^ Áæç! Áá•Á €Á@~!•Á!} |  
@} Áç^!^ Á €Á@~!•Á! Á^æ|

## ACBH< @MCF'9J9FM%' \$' < CI FG

#9A

G9FJ=9

7CAA9BHG

P^ á:æ |æÁ|~ ã Šç^!Á

Ô@&

QãÁæ Á ^^áá

P^ á:æ |æÁ/æ \ Á!^æ@:

Ô^æ ħ@& ħ^] |æ^

Ô^æ Á!Á^] |æ^ Á  
Ô\{ ^} çæ Á^~ á^á

FYU' HJfY' HndY  
ÁÁÁÁÁÁ Á ħ €ÜH  
ÁÁÁÁÁÁ ħ ħ  
ÁÁÁÁÁÁ ħ ħ

AU 'D'G'É  
GJ  
G  
G

ÜÖÖÜUVÖÜY

T æ ç } æ & Á^ & ç } Á ħ

A5-BH9B5B79

# A5-BH9B5B79

## M95F @MCF'9J9FM) \$\$' < CI FG

#9A

G9FJ=9

7CAA9BHG

Ù] ã à|^Á!^æ^

Ô@\*^

T [ ð | Á Á] ã à|^Á] |ã ^Á

Ô@\*^

P^ á|æ |ã Áã \ Á] ã

Ô@\*^

Q Áã \ Á^ á|æ |ã Á] ã Áã!  
fl\$'a ]Wcb'Z]HfL

Ô@\*^

Q Èã ^ Á Úã!  
fl\$'a ]Wcb'Z]HfL

Ô@\*^ /~~~~~!

Ô@\*^ Á @} Á áã á  
à^ Á^ dã } Á áã |È

P^ á|æ |ã Áã \ Á|^æ@!

Ô@\*^

ÙÒÒÀÛUVÖÛ

T ã } ã &^Á^&ã } Á È

A5-BH9B5B79

# A5-BH9B5B79

A5-BH9B5B79

## HFCI 6 @G<CCHB;

GMA DHCAG

75I G9

F9A98M

Xāi:āā

Š [ • ^ Á Ő | 0

Ô @ & Ā ā Ā Ā | 0 Ā ā Ā ā @ ^ Ā  
! ^ & { { ^ } ā ā Ā Ā | ~ ^ Ā ^ & ā ā ā } • Ā Ā @  
• ^ & ā }

Ō ō Ā Ā • ^ { ā |

ā Ő @ & Ā Ā | Ā ā ā ā Ā ā • Ā ā & Ē  
~ } ā ā ā & ā Ā | Ā ō Ā Ā @ ā Ā

ā Ā Ū ^ | ā Ā Ā Ā ^ ā ā Ē

ā Ő @ & Ā Ā | Ā ā Ā Ā [ ] ^ Ā Ā ā Ā } ā \* | ^ ā Ā  
@ & ō Ā Ā • ^ { ā |

T [ , ^ Ā ā Ā [ ō ā c

P ^ ā ā ā | ā ā ā | ā ā ā |  
Š ā ā • Ā ā ā ^  
ā ā | c Ā ā | ā ā ā ^

Ô @ & Ā ā Ā ā ā | Ā Ā ā ā ā  
V ā @ ^ Ā | Ā Ā | ā ā ā ā \* • Ā ā ā @ • •

Ô @ & Ā | ^ • • | ^ Ā ā ā ā ā Ā  
] | ^ • • | ^ Ā ā ā ā Ő [ ] d [ | Ā ā ā ā • @ ~ | ā ā ā ā ā  
| ^ ā ā ā ā ā ā ā ā ā

S ā \ ^ ā ā | Ā | & ^ ā

Ō | ^ ā ā | Ā | ā ā ā •

ā ā | c & ā | ā ā |

Q • ] ^ & ā ā | ā ā | Ā | ā ā & ā | ā ā |

U ā ā ^ { ] ^ ā ā Ā ā •

Š [ , Ā ā ā ^ c | Ā ā | c ^ ā ā ā ā ā  
S ā \ ^ ā ā | & ^ ā ā @ • •  
Y [ ] Ā ~ { ] Ā [ d |

Ō ā \* Ā ā ā | [ ] ^ Ā Ā c | Ē  
Q • ] ^ & ā ā ^ | ā ā ^ | ā ā  
Ō ā ā | ^ ā ā | ā ā ^ | ā ā

T [ , ^ Ā ā Ā [ ō ā ā Ā ^ }

Ō [ , } Ā • ^

Ô @ & Ā • ^ Ā Ā c ^ Ā } Ā [ , ^ Ā , ā ā @  
ā ā ā } ā ā | Ā Ā | ā ā

Ō ā ā ā ā • Ā | • ^ ā  
Š [ , Ā ā ā ^ c |  
Š ā ^ Ā ā

T ā ā ^ | ^ ā ā ā • Ā ā Ā | ^  
Ô @ & Ā Ā ā ā ā | Ā ā ā |  
Ô @ & Ā ā ā ā ā • Ā ā ā Ā • Ē  
! ^ ā ā @ ^ Ā | Ā Ā | ā ā

Ō ^ & d [ ] ā ā [ | ^ ] [ ā ā ā | c

ā ā ā ā ā ^ ō @ Ā ā ā d | Ā ^ } ā \* ā ā | } Ā @ Ā  
{ [ , ^ Ā , ā ā @ Ā Ā | Ē Ā [ , ā ā ā ā ā ā ā  
} [ ō @ ā ā ā ā ā @ Ā | | ^ ] [ ā ā ā ] \* ā ā \* ā @  
• [ | ^ ] [ ā ā ] [ | Ē Ā ā ā ā ā Ā | ō @ ā ā ā ā ā  
• , ā ā @ ā ā [ ] Ā | [ • ā ā ] Ā ā ā , ā ā ā ā  
• & ^ , ā | ā ā | Ā | c @ | Ā c ^ Ā | ā ā & ā ā ~ & ā ā @  
• { ā ā ^ ō } Ā @ Ā } ā ā - ā @ Ā | | ^ ] [ ā ā @  
{ ^ ā ā ā ā ā ā ā ā | ō ā ā ā ā ā ā ā ā Ā ~ Ē  
& @ & Ā @ Ā ~ • ^ ā ā ā ā ā , ā ā \* Ā Ā | Ā ā ā | Ā | ^  
& ā ā ā ā ā @ Ā | ā ā & ā ā ā ā ā ā ā ā ā |  
% ā ā ā ā ā @ ā ā ā ā | ā ā ā @ Ā | | ^ ] [ ā ā Ē

Ù 0 0 Ā Ū V V 0 Ē Ū Ÿ

T ā ā c } ā ā & Ā Ū ^ & ā } Ā Ē

# A5-BH9 B5 B7 9

**A5-BH9 B5 B7 9**

**HFCI 6 @ G< CCHB; 'f7 CBHBI 98 L**

àÈÜ^ [ ç^Á@ÁË~!Áà |Á@ |áá \* Á@Á { æ  
 à| & Áç Á@Á æ Áà| & ÈSáÁá áÁ^ [ ç^  
 • { æÁà| & Á^á \* Áæ~ |Á [ ÁÁæ æ^ÁÉ  
 |á \* ÈÁÉ

&ÈÖ^æ Ááç!Áæ áÁ^É • æÉ

àÈÜ^ [ ç^Áæ\*^Á~ ó } Á æ^Á Áæ\*^Áçç  
 à| & ÈÁÜ^ [ ç^Á• ] á \* Èáá áÁ^ •^Á } ^^á  
 } [ •^Áçá^Á!á Áç Á~ ||Á• ] [ |Á+ [ { Áà| & È  
 &@& Áà| & Áæ áÁ• ] [ |Á+ |Á& } æ á æ ó  
 æ áÁ• & æ&@ • ÈÖ^æ Á } æ ó Á |Á^ } æ^Áá  
 • & æ&@ áÈ

T [ ç^Á } • Á c  
 , áÁ [ ó&c

Ó |

V } • á } ^!

Q • ^ & ó Á | ç áá ~ || ^ • ÈÜ^ | æ  
 à | ç áá^ } æ áÁ^ ^^ááÉ  
 Çáó • ó } • á } ^! Á ~ ó æ á æ @ |  
 , æ @ | Á Á ~ ç á á } Á Á ~ æ^É

T [ , ^!Á } • Á | , |  
 | Á [ ó&æ

Ô } æ á æ ó Á • d æ ç \*  
 • [ | Á [ ç^ { ^ } ó  
 çæç^Á [ á^

Û ~ &ç } Áá ^ • Á à • d ~ &ç á

Š | Á áÁç^!

Ü^ [ ç^Áæ\*^Á~ ó } Á æ^Á Áæ\*^  
 çæç^Á | & ÈÜ^ [ ç^Á ] á \* Èáá áÁ^ •  
 } ^^á^Á [ •^Áçá^Á!á Áç Á~ ||Á• ] [ |  
 + [ { Áà| & ÈÖ^æ & Áà| & Áæ áÁ• ] [ |Á+ |  
 & } æ á æ ó Áæ áÁ • æ&@ • È

Ô^æ Á æ ó Á |Á^ } æ^Áá & æ&@ áÉ

Ô @ & Á | Á á } • Á | Á à • d ~ &ç } Á  
 • ~ &ç } Á @ • ^É

Ô @ & Á^ áÈá \ Á ç^ Á } áÁáÉ

Ú { | Á áÁ [ ó | \

Òç&•• ç^Á ^æÁ }  
 á ç | } æ á æ

Öá æ • ^ { à | Áæ áÁ^ } æÉ

T [ ç^Á áÁ [ ó | \

Òç&•• ç^Á ^æÁ }  
 á ç | } æ á æ

Öá æ • ^ { à | Áæ áÁ^ } æ

**NOTE:** If flow meter is available, check pressure and flow volume for all suspected hydraulic problems.

Çá@Á | ç } Á Á | Á | à | Á } [ ó^ Á ~ } áÁ Á@Á^ &ç } ÈáÁ@Á^ &@ çáÜ^ çáÁ^ | ^ • ^ } æá^ Áá@  
 } ^ { à | Á @ , } Á } Á@Á [ } & ç^ Á Á ~ çá á æ ^ É

ÙÖÒÄÜUVÖÛ

T æ ç } æ & ÁÜ^ &ç } Á È



# A5-BH9 B5 B7 9

## HC FEI 9 GD97 = 7 5H CBG

### Torque for Standard Fasteners

Nominal Dia. (in.)	threads per inch	Grade 2			Grade 5			Grade 8			Grade 9		
		Tightening Torque			Tightening Torque			Tightening Torque			Tightening Torque		
		Lubed	Dry Plated	Dry plain	Lubed	Dry Plated	Dry plain	Lubed	Dry Plated	Dry plain	Lubed	Dry Plated	Dry plain
		K = 0.15	K = 0.17	K = 0.20	K = 0.15	K = 0.17	K = 0.20	K = 0.15	K = 0.17	K = 0.20	K = 0.15	K = 0.17	K = 0.20

### Unified Coarse Thread Series

Nominal Dia. (in.)	Threads per inch	49 in-lbs	59 in-lbs	66 in-lbs	76 in-lbs	86 in-lbs	101 in-lbs	107 in-lbs	122 in-lbs	143 in-lbs	126 in-lbs	143 in-lbs	168 in-lbs
1/4	20	49	59	66	76	86	101	107	122	143	126	143	168
5/16	18	101	122	135	157	178	209	221	251	295	259	294	346
3/8	16	15 ft-lbs	18 ft-lbs	20 ft-lbs	23 ft-lbs	26 ft-lbs	31 ft-lbs	33 ft-lbs	37 ft-lbs	44 ft-lbs	38 ft-lbs	43 ft-lbs	51 ft-lbs
7/16	14	24	29	32	37	42	49	52	59	70	61	70	82
1/2	13	37	44	49	57	64	75	80	90	106	94	106	125
9/16	12	53	63	70	82	92	109	115	130	154	135	153	180
5/8	11	73	87	97	113	128	150	159	180	212	186	211	248
3/4	10	129	155	172	200	227	267	282	320	376	331	375	441
7/8	9	125	150	167	322	365	429	455	515	606	533	604	710
1	8	187	225	250	483	547	644	681	772	909	799	905	1065
1 1/8	7	266	319	354	596	675	794	966	1095	1288	1132	1283	1510
1 1/4	7	375	450	500	840	952	1121	1363	1545	1817	1597	1810	2130
1 1/2	6	652	783	869	1462	1657	1950	2371	2688	3162	2779	3150	3706

### Fine Thread Series

Nominal Dia. (in.)	Threads per inch	56 in-lbs	68 in-lbs	75 in-lbs	87 in-lbs	99 in-lbs	116 in-lbs	123 in-lbs	139 in-lbs	164 in-lbs	144 in-lbs	163 in-lbs	192 in-lbs
1/4	28	56	68	75	87	99	116	123	139	164	144	163	192
5/16	24	112	135	150	174	197	231	245	278	327	287	325	383
3/8	24	17 ft-lbs	20 ft-lbs	23 ft-lbs	26 ft-lbs	30 ft-lbs	35 ft-lbs	37 ft-lbs	42 ft-lbs	49 ft-lbs	43 ft-lbs	49 ft-lbs	58 ft-lbs
7/16	20	27	32	36	41	47	55	58	66	78	68	78	91
1/2	20	41	49	55	64	72	85	90	102	120	105	120	141
9/16	18	59	71	78	91	103	121	128	146	171	151	171	201
5/8	18	82	99	110	127	144	170	180	204	240	211	239	281
3/4	16	144	173	192	223	253	297	315	357	420	369	418	492
7/8	14	138	165	184	365	403	474	502	568	669	588	666	784
1	14	210	252	280	542	614	722	765	867	1020	896	1016	1195
1 1/8	12	298	357	397	668	757	890	1083	1227	1444	1269	1439	1693
1 1/4	12	415	498	553	930	1055	1241	1509	1710	2012	1768	2004	2358
1 1/2	12	734	880	978	1845	2085	2194	2668	3024	3557	3127	3544	4169

Torque values for 1/4 and 5/16 in series are in inch-pounds. All other torque values are in foot-pounds. K = 0.15 for "lubricated" conditions D = Nominal Diameter  
 Torque values calculated from formula T=KDF, where K = 0.17 for zinc plated and dry conditions F = Clamp Load  
 K = 0.20 for plain and dry conditions

### Torque-Tension Relationship for Metric Fasteners

Nominal Dia. (mm)	Pitch	Class 4.6			Class 8.8			Class 10.9			Class 12.9	
		Tightening Torque			Tightening Torque			Tightening Torque			Tightening Torque	
		Lubed	Dry Plated	Dry plain	Lubed	Dry Plated	Dry plain	Lubed	Dry Plated	Dry plain	Lubed	Dry plain
		K = 0.15	K = 0.17	K = 0.20	K = 0.15	K = 0.17	K = 0.20	K = 0.15	K = 0.17	K = 0.20	K = 0.15	K = 0.20
		(ft-lbs)	(ft-lbs)	(ft-lbs)	(ft-lbs)	(ft-lbs)	(ft-lbs)	(ft-lbs)	(ft-lbs)	(ft-lbs)	(ft-lbs)	(ft-lbs)
3	0.5	0.28	0.32	0.38	0.73	0.82	0.97	1.0	1.2	1.4	1.2	1.8
3.5	0.6	0.44	0.50	0.59	1.1	1.3	1.5	1.6	1.9	2.2	1.9	2.5
4	0.7	0.66	0.74	0.87	1.7	1.9	2.3	2.4	2.7	3.2	2.8	3.8
5	0.8	1.3	1.5	1.8	3.4	3.9	4.5	4.9	5.5	6.5	5.7	7.8
6	1	2.3	2.6	3.0	5.8	6.8	7.7	8.3	9.4	11	9.7	13
8	1.25	2.1	2.3	2.7	5.3	6.0	7.0	7.6	8.6	10	8.8	12
7	1	3.8	4.3	5.0	9.7	11	13	14	16	19	16	22
8	1	5.9	6.8	7.8	15	17	20	22	24	29	25	34
8	1.25	5.5	6.2	7.3	14	16	19	20	23	27	24	31
10	1.25	11	13	15	29	33	39	42	48	56	49	66
10	1.5	11	12	14	28	32	37	40	45	53	47	62
12	1.25	21	23	28	53	60	71	76	86	101	89	119
12	1.5	20	22	26	51	58	68	73	82	97	85	113
12	1.75	19	21	25	49	55	65	70	79	93	81	108
14	1.25	26	29	34	66	75	89	95	108	127	111	148
14	1.5	28	32	37	72	82	96	103	117	138	121	161
14	2	30	34	40	78	88	104	111	126	148	130	173
16	1.5	50	57	67	129	146	171	184	208	245	215	287
16	2	47	53	62	121	137	161	173	196	230	202	269
18	1.5	73	82	97	187	212	249	268	303	357	313	417
18	2.5	65	73	86	167	189	222	239	270	318	279	372
20	1.5	101	115	135	270	306	360	374	424	498	437	583
20	2.5	91	104	122	236	267	314	337	382	449	394	525

Clamp load calculated as 75% of the proof load for specified bolts. K = 0.15 for "lubricated" conditions D = Nominal Diameter  
 All torque values are listed in foot-pounds K = 0.17 for zinc plated, dry conditions F = Clamp Load  
 Torque values calculated from formula T=KDF, where K = 0.20 for plain and dry conditions

A5-BH9 B5 B7 9

© 2013 Alamo Group Inc.

T 38 8 } 3 & A U ^ & d } A E

# A5-BH9B5B79

## @ 6F75HCB F97CAA9B85HCBG

89G7F-DHCB      5DD@75HCB      ; 9B9F5 @GD97 = 75HCB      F97CAA9B898  
AC6=@@ 6F75BH

Viæd | Å^ à!æ |æ      Ü^•^!ç[ ä      RÖËEÖ  
T ØÁ FFHÍ ÈÁ FFI F  
ØPPT GÖFH ÖÁØP PGEFD

T [ , ^!Å^ à!æ |æ      Ü^•^!ç[ ä  
Ö [ |äÅ^ { } ^!æ |^• Å×ØÁæðM  
P [ | { æÅ^ { } ^!æ |^• Å×ØÁæðM  
P [ | { æÅ^ { } ^!æ |^• ÅÍ »ØÁæðM  
Pä @Ü ^!æä \* Å^ { } ÈÖa [ ç^ÅÍ×Ø

ØUÁÍ ÁË æÿ ^æ È [ , Å^ { }  
RÖËEÖ  
T ØÁ FFHÍ ÈÁ FFI F  
ØPÁ Á GÖFH ÖÁØP PGEFD  
ØUÁÍ ÁË æÿ ^æ  
ØUÁÍ ÁË æÿ ^æ

T [ ääÖVÒÁÍ T  
T [ ääÿ äÁ G  
T [ ääÖVÒÁÍ  
T [ ääÖVÒÁÍ T

ØäÜ^æ^Ö^æà [ ç      Ö!^æ^      ÚØUÁÿ } @æÖcd^ ^  
Ü!^•~ |^Ö^æ^S~ à^      T [ ääÜPÖÁÍ Y ÈÈ  
T [ ääÜ^ } @æÖ^æ

Ö^ ç^!ÁÜ@æBÁÖ [ ~ } á      Ö!^æ^Ö~ }      Šäç { ÈÖ [ { } |^ç  
Ü [ |^!ÁÜ@æÖ [ çäD      Öcd^ { ^ÁÜ!^•~ |^  
PŠÖÖÁÜUÁGE

T [ ää^!^æ^ÁÖT ÈÜ

Ö!ç^ÁÜ@æÖ [ ~ } |^ |      Ö!^æ^Ö~ }      Šäç { ÈÖ [ { } |^ç  
ØäÜ^æ äÁÜ [ ç^ D      Öcd^ { ^ÁÜ!^•~ |^  
PŠÖÖÁÜUÁGE

T [ ää^!^æ^ÁÖT ÈÜ

Ö!ç^ÁÜ@æÖ [ ~ } |^ È      Ö!^æ^Ö~ }      Šäç { ÈÖ [ { } |^ç  
WÈ ã ç^BÁÜç àÜ@æc      Öcd^ { ^ÁÜ!^•~ |^  
PŠÖÖÁÜUÁGE

T [ ää^!^æ^ÁÖT ÈÜ

Ö^ & ÁÜ] ä à^!ÁÜ [ ç^ D      Ö!^æ^Ö~ }      Vå^!ÁÜæóÜ] ä à^!S~ à!æç c  
ÚæóP { à^!ÁÍ | | €€€€

T [ ää@ÜPÖÁGE

ÜÖÖÁÜUVÖÿ      T ää ç } ä & ÁÜ^ç } Á È€

A5-BH9B5B79

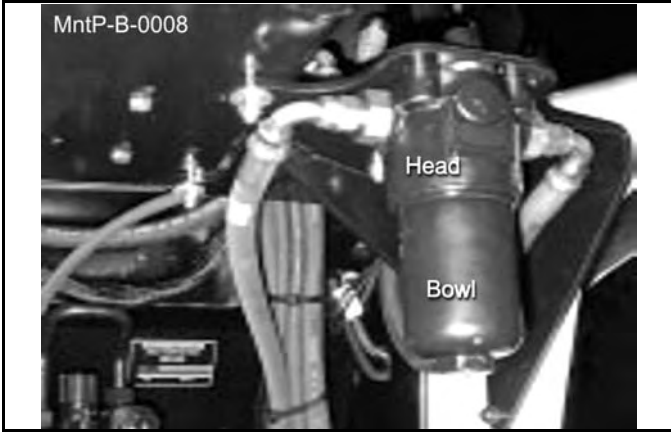




# A5-BH9B5B79

## F9D@7-B; <=> <'DF9GGI F9<M8F5I @7': =@9F'9 @A9BH

0E~!^Á•••c{ Á @eÀ à^^}Á•@ó á[. }Á ð á à  
 à^!^••~!á^áEÁ Š| &æ^Á Pã @Á Ú!^••~!^Á ðe!  
 @~•q \*ÉÖ[ ]-á{ Ác@eÁc@Á^!^ { ^} óc@eÁ Áeá[ ~óq  
 à^Áq•cæ^áÁ æ&@•Ác@Á^!^ { ^} óq ð Á }Ác@Áq!  
 { [ á^!Ácæ ÉÖcæ ] ^!ÁX^EÉ FÉÉ ÁÇ [ ]!áÁq ^ÁFÉÉÉ  
 PÖEÍ JÁ{ [ á^!DÁŠ| &æ^Ác@Áà[ q{ Á[ Ác@ÁPã @  
 Ú!^••~!^ÁÖ[ , |Éq áÁ•^Ác@Áq ]! [ ]!æ^Á•} ð }^!  
 , !^} &É!Éæ&@óq áÁ! } q \*Á Áæ&[ ~ } e!&[ & , á^  
 ! [ cæq } ÉÖ[ [ ] q \*ÁæÁc@Á[ q{ Á Ác@Á[ , |DÁ^ [ ç  
 c@Á[ , |Á[ { Ác@Ác@æÉV@Áá•óq } ^!Á [ cæq ] •  
 , q!Á^!^ Áæ @eÁ Ác@Á Éq \*Á æ•^•Ác@Á^æq \*Áæ É  
 U) &Ác@Á Éq \*Ác@Áq^æ^áÁc@Á^æq \*Áæ Éc@  
 à[ , |Á @~!áÁ } q Á^!^ ÉVá q \*Áæ^Á [ Áq Á[ ] Ác@  
 à[ , |Éq á @^! [ çq \*Ác@Á[ , |Á[ { Ác@Ác@æÉ



A5-BH9B5B79

**WARNING:** Bowl will be full of oil!ÁÚ~!Ác@Á qÁ[ { Ác@Á[ , |Áq q Áæ&[ } cæ^!ÉÖcÁ qÁ @~!áÁ^Áq }•æ^!á  
 &[ } cæ q æ^áÁ~^Áq Ác@Á[ , Áá^&ç } Ác@~ \* @c@Á^!^ { ^} óq Á •æ^ÉÉ ÉÖ!æq Ác@Áq•æ^Á Ác@Á[ , |ÁÁáç/Á  
 ]!^•^} ÉÚ^ [ ç^Ác@Á |áÁ^!^ { ^} óq { Ác@Áq^!Ác@æÁ^ Á~||q \*Á q c@eÁ [ cæq ] Á [ ç } ÉÖá [ •^Á Ác@Á•á  
 ^!^ { ^} óq [ ]!^! ÉÚ^ [ ç^Ác@Á^ , Á^!^ { ^} óq { Ác@Áæ æ q \*ÉVá q \*Á ~!Áq \*^!ÉææÁq áÁ à!ææ Ác@Á Éq \*  
 q Ác@Á[ ] Á Ác@Á^ Á^!^ { ^} óq cæ^Ác@Á^ , Á^!^ { ^} óq q Áq áÁ } Ác@Á [ ~ } ç \*Á[ ••Á q c@eÁ Ác@Ác@æÉæ~!  
 c@eÁc@Á^!^ { ^} óq Á~!^Áæ^áÁ } Ác@Á[ ••ÉÖ!æq Áq áÁq •^&Ác@Á Éq \*Ác@eÁ Ác@eÁ^áÁq Ác@Á[ , |É~!á!ææ  
 , áóq qÉVá q \*Áæ&[ & , á^Á [ cæq ] É~!^ , Ác@Á[ , |Áæ& Áq q Ác@Ác@æÉæ~!q \*Ác@eÁc@Á[ , |Ác@eÁ [ óÁ^!  
 &[ ••Ác@eÁ^áÁq q Ác@Ác@æÉÖ[ ] ç~^Áq Ác@eÁ @~!Ác@Á[ , |Áq q Ác@Ác@æÉæ~!q \*Ác@eÁ } ð }^!Á !^} &É!É  
 !æ&@c@eÁ [ cæq ] Á Ác@Á[ , |Á q!Á& { ^Áç @!Á } &Ác@Á Éq \*Á } \*æ^•Ác@Á^æq \*Áæ ÉU) &Ác@Á[ , |  
 @eÁ[ q{ ^áÁ~!ÉVáæÉ É~!Ác@Á[ , |Á ÁÉÉ Ác! } ÉÖcÁæ~!^•Ác@eÁc@Á Éq \*Á Á^æ^áÁ! [ ]!^! Á c@eÁ Ác@  
 •^æq \*Áæ ÉÖ!^!^ { ^} óq q \*Á~!^ áÁ^Éæ•^! à! ÁÁ [ , Áq [ ]!cÉUc@eÁc@Á æ&ç ^Áq áÁq •^&Ác@Áq!  
 æ^æ&@& q \*Ác@eÁc@eÁ^!ÁÁ Á[ Á qÁ^æ q \*Á[ { Ác@Áq^!Áæ~!^! à! ÉV @eÁ Áá•óq Áá^Á[ ] ^ÁæÁ ÉÁq ~!  
 [ ]!^!æq } ÉÖ) Á^æ! ÁÚ ÉÉÁq ~!•D! Á @} Áq áææ^áÁ Á^•d&ç } Áq áææ! É

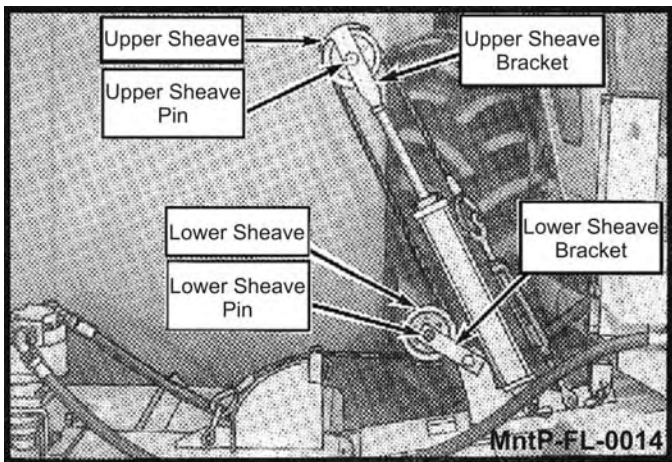
ÜÖÖÁUUVÖÿ T æç } æ & Á^&ç } Á ÉH

# A5-BH9 B5 B7 9

A5-BH9 B5 B7 9

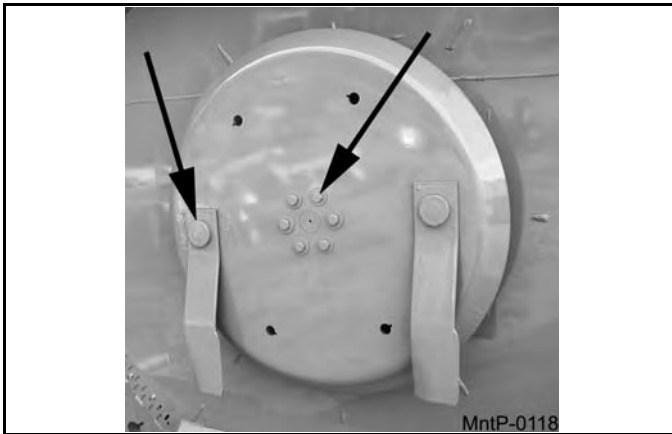
**; F95 G-B; 'H<9 'I DD9F '5 B8 'C@K 9F 'G<95J9G**

Š[ &æ^Á@Á !^æ^Á \!·Á } Á@Á } á·Á Á@Á ] ]^!  
 æ áÁ[ , ^!Á· @æ^Á] æ·Áæ Á @ , } Áà^[[ , ÈQb&  
 Šæ { È[ { ] |^cÁ Qæ^ { ^Á Ú!^··~!^Á!^æ^  
 & } -!| æ \* Áq Áb ŠÖÖUÁHGÉÁ· ] ^8áæææ } ·Áæ d  
 ^æ@] æ Á } dÁáÁ ] | d~ á·Á+ [ Ác@Á } á·ÉV@·^  
 ·@~ |áÁæ [ Á^Á!^æ^ áÁææ Á!Á! Ác^!^ ÁÁ@~!·Á~  
 ·^!çæ^É



**H< <H9B-B; '6 @ 89 '6 C @HG'5 B8 '8 =G? '6 C @HG**

Öe! Ác^!^ ÁÁ@~!·Á-Á ] ^!ææ } Á! Áææ Èc@Á } á·  
 à[ |ö Áæ áÁæ \ Á[ |ö Á @~ |áÁ^Áæ @ } ^áÁæ Á[ ] | , ·K  
 S) áÁÁ [ ~ } æ \* ÁÓ[ |ö Ác^!^ áÁæ!~ ^Á Á €€Á æ áÁæÉ  
 |á·É  
 Öæ \ Á [ ~ } æ \* ÁÓ[ |ö Ác^!^ áÁæ!~ ^Á Á €€Á Á! Á! €  
 [ æ áÁææ·É



ÜÖÖÄÜUVOÜÿ

T æ ç } æ & Á^ & ç } Á È!







# A5-BH9 B5 B7 9

## 65 @J5 @9G

V@Àa|ÀaÇ^•Àa@Á@à|æ|ÀÁ^•^|ç[ãÁ æÁ^^á  
 çÁ^Á|•^áÁ^|á\*Á^|æÁ(æç)æ&Á^|Á^]æ  
 ]|&á^|•^H<9'65 @J5 @9G'AI GH'69'CD9B  
 fUxY'dUFU'Y'k]h'jUjYk<9B'HF57HCF'G  
 F9!GH5FH98'CF'K<9B'H<9'DIAD'G  
 7CI D@8'HC'ACHCF'CF'DHC"Áæ"ÁÁ Á[  
 ,áÁ^~|ç&{][]^}Áæ"ÁÁ



## ; F95 G-B; `GD-B8 @

Š|æ^Á^|æ^Áæ^Á\*Á}Áq•æÁ|Á&Á@~•q\*É  
 Q&óÁ vÁ^Á U]qá^Á Š à|æç dÁ ]æó }{ à|  
 €|!|€€€Áq ç Á ]qá^Á@~•q\*ÉÁÁÁ á|æç c  
 ~}çÁ|à|æç ó, ^^•Á[~ó[Á]Á•]qá^Á^æÉ  
 Š à|æç Á]qá^Á ^^|Á|Áç!^Á€@~!•Á^Á^É



## H; <H9 B-B; `GD-B8 @ `6 C @HG

V@Á]qá^Á[~}ç\*Á|[óÁ@~|áÁ^Á&@&^áÁq á  
 |^ç|~^áÁæÁ|Áç!^Á€@~!•Á^ÁçÁÁÁ|~^  
 ç@Áç Dá|[óÁ@, }Á^|[, Áç ÁÍ|Áá^Á|Á^Áç á  
 çÁ^Á^É



ÙÒÒÀÙVÒÛÿ

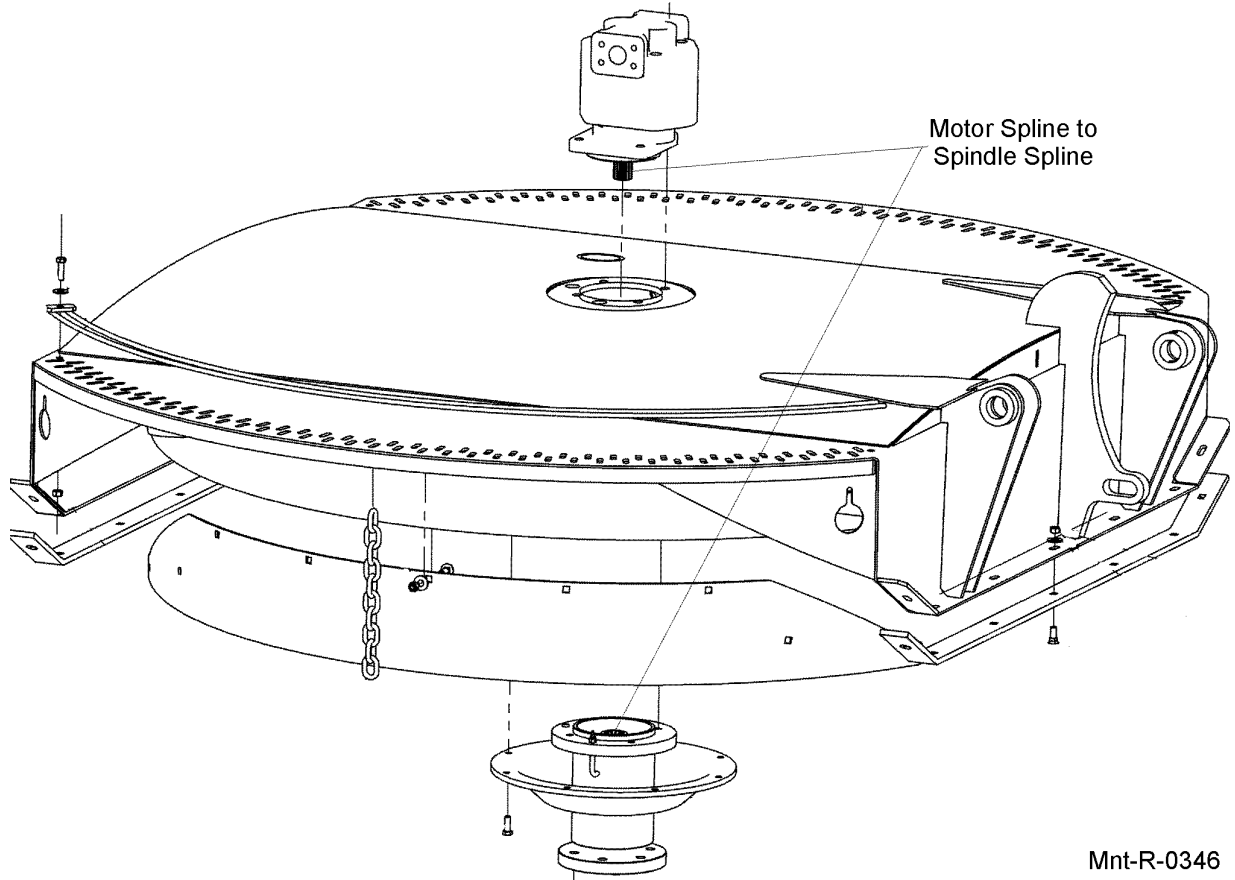
T æç) æ&Á^&ç}ÁÍ

# A5-BH9 B5 B7 9

A5-BH9 B5 B7 9

; F95 G-B; ACHCF GD@B9 HC GD-B8 @ GD@B9

Q | Áã^&óáíã^Á [ , ^i•Éí &æ^Á [ d!Á] |ã^Áã] áá!^Á] |ã^Á} Á@Á [ , ^iÁ^&ÉÖ!^æ^Á] |ã^Á} á@ [ áã { [ | Á GÁV^Áã [ ~ ó Á } &^Á Á!^æ^É@ @ \*^Á!^æ^Á^æ | Á!Áç!^Á €€@ ;i•É



Mnt-R-0346

ÙÖÖÁÛVÖÛÿ

T æ ç } æ &^Á^&ç } Á È Ì

# A5-BH9B5B79

**A5-BH9B5B79**

## 6`UXYg

Ó@&Á@ÁÓ|æá•ÁÍ|Á&æá•ÁæáÁ ^æáæá áÁÓ|æá^ÁÓ |o ÁÍ|Áá @ ^••Éáæá ÉÓ|æá^Á @~|áÁÁ^|æááÁ @} c@^æáÁ [Í]Áç&••æ^|Éá^}Éá^+{|^áÉÍÁ^ of Áæáæ} &É

**CAUTION**

Ó|æá^Á @~|áÁæ, æá•ÁÁÁ^|æá^áÁ Á æá•ÉÓ|æá^Á Áæá^|á) of Áá @ Áæá Áæá^Á^|á~ • á áæáæ} &Áæá áÁæá æ^ÁÍ ÁóÁ æç} ^Áæ) áÁ^{|} ^|ÉY @} Á^|æáá \*Á|æá^Á Éáá^Áæá^ÁÍ |^|æá^ÁóÁ Á|æá^Áí |o ÉY^o Éáæ) áÁ æ @!•É

**Important**

T æ^Á~|Áó@ÁÍ [ , ^|Áá|æá^Áæ^Áç |} á \*Á&[ & , á^Á @} ÁÍ [ | á \* á[ , }Á+{ | Áó@ÁÍ | ÁÍ Áó@ÁÍ [ , ^|ÉÁÍ ||, Áó@ÁÍ || | Á& áá \* ÁÍ } Áó@ @á:æ |æÁ@^••Áæ) áÁáæá \* ÁÍ ÁÍ æ Á^~|Áó@ÁÍ [ ç | Áæ) áÁ@áæ |æç • Á^•Áæ^Áæ^•^| á^áÁÍ | | ^| ÉÓ | } ^ÁóÁ@Á^áÁ@•^ÁÍ } ^Áç | } ÁÍ | ^ ç | Á^áÁáæá \* ÉÁ | } ^Áó@Á@Áá | ^Á@•^Á& | } ^Áç | } ÁÍ | ^ ÁÍ Áó@Áí | ^ áæá \* ÉV @ Áá|æá^Á |æáá } ÁÍ } ÁóÁÁæáá \* Áá^ÁÍ Áó@ÁÍ [ , ^|Á @~|á áá &æ^Áó@Á& of æ^|áæáæ) æ ÁÍ { | ÁóÁíæç | Áæ) áÁÍ | ^æ | ÉÁ



**WARNING**

Áó@Áíæáá \* Áá^ÁÍ Áó@ÁÍ [ , ^|Áá|æá^Áæ^Áç |æá \* Áæá, æá•Áó@ &æ) Áá &æ^ÁÍ æ^|áæáÍ, æá•Áó@Á | ^æ | ÉÁó@Á &ç | • Áá & | ç ^ { [ , á \* ÁÍ { ^áææ^| Áæ) áÁ^ç | • Áó@Áá^Áç | } ÁÍ Áó@ÁÍ [ ç | ÁÍ |æá } Á & | | ^Áç | Áá • ç | á \* Áó@ÁÍ [ ç | ÁÍ | ^•• ^Áæ) áÁ^ç | } Á@•^ÁÉÓ | ç æç [ ^|Áá^æ^|Á | ÁóÍæ [ Áá^dæÁÍ | ÁÍ ^Áæáá } +{| æá } ÁÍ } Áó@Á@• ^ | ^ ç \* É

<b>WARNING</b>	<b>ADVERTENCIA</b>
<b>TO AVOID SERIOUS INJURY AND DEATH FROM THROWN OBJECTS:</b> <ul style="list-style-type: none"> <li>• MAKE CERTAIN blades rotate the correct direction.</li> </ul>	<b>PARA EVITAR LESION SERIA O MUERTE POR OBJETOS LANZADOS:</b> <ul style="list-style-type: none"> <li>• ASEGURE que las cuchillas giran en la dirección correcta.</li> </ul>
<b>BLADE ROTATION</b>  <b>ROTACIÓN DE CUCHILLAS</b>	
<span style="display: inline-block; width: 20px; height: 10px; background-color: gray; margin-bottom: 5px;"></span> Return Retorno OSWO	<span style="display: inline-block; width: 20px; height: 10px; background-color: gray; margin-bottom: 5px; vertical-align: middle;"></span> Pressure Presión UOO

D619

ÙÖÒÀÛUVOÏÿ

T æç } æ &^Á^ç } Á ÈJ



**<95JM8I HMGD-B8 @ '5 GG9A6 @M-BGH5 @@HCB'5 B8 '6 95 F-B; ' 58>I GHA9BH**



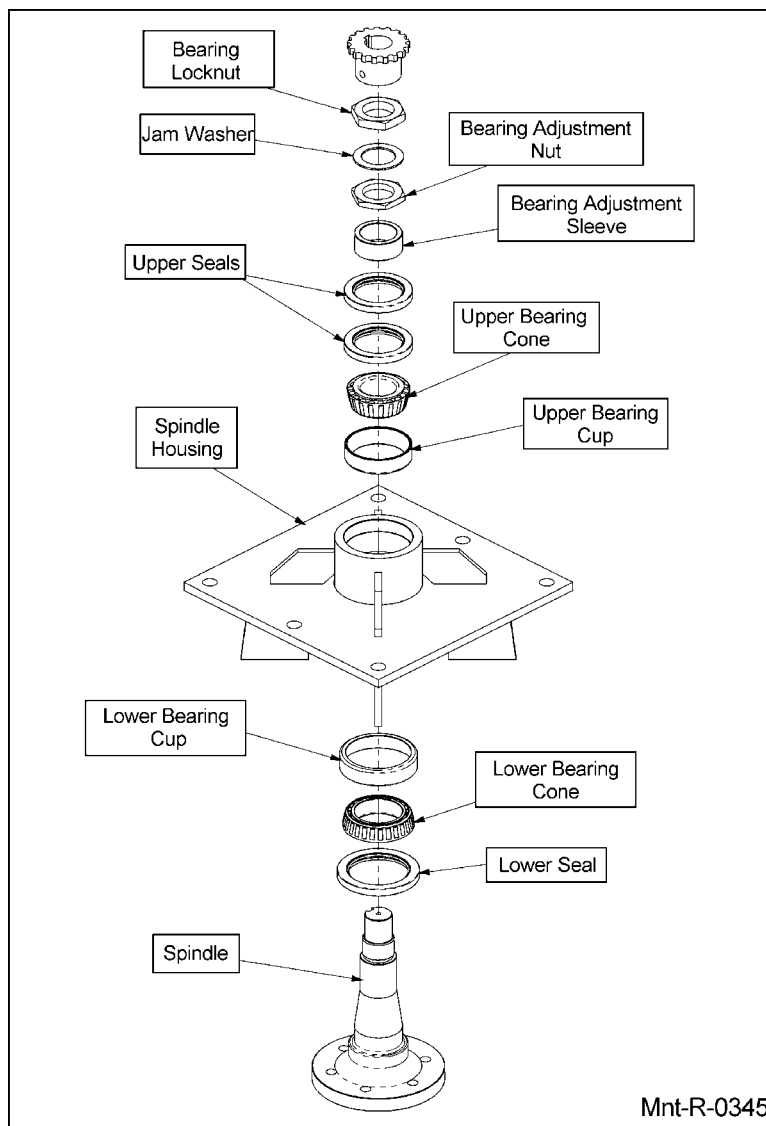
CAUTION: The grease zerk and gussets are located on the top side of the spindle housing. Be sure the spindle is assembled correctly.

**NOTE:** The grease zerk and gussets are located on the top side of the spindle housing. Be sure the spindle is assembled correctly.

6 Y gi fY'lc'k YUf'Ym' dfchWj'cb'UbX' ch Yf' dfchWj' Y Yei ]da Ybh Ug' bYYXY' k \ Yb' k cf\_]b[ 'cb'gd]bX'Y UggYa V'mf

**H<9'GD-B8 @ '5 GG9A6 @M**

Ü^A@Aa|a[A|, A|A) a@a } A-A] a^A a o E @^A^ca \* E



# A5-BH9 B5 B7 9

A5-BH9 B5 B7 9

## 695 F-B; B-GH5 @HCB

FÈ Ú!^••Á~ ] ]!Áà^æå \* Á& ] Áå ç Ác@Á•] å à!@ ~•å \* Á

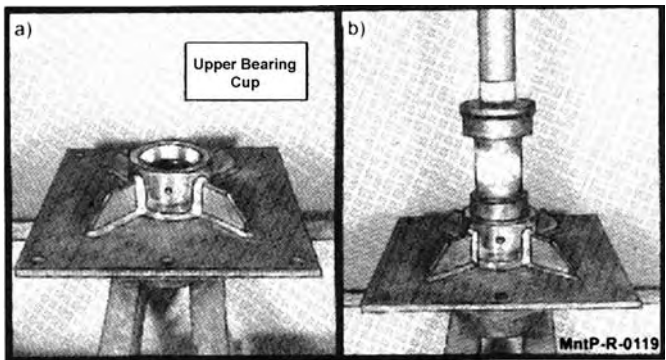
GÈ V'! } Ác@Á] å à!ÁQ~•å \* Á ç!Áæ åÁ!^••Áå Ác@ [ , !Á^æå \* Á& ] È

HÈ Ú!æÁc@Á] , !Áà^æå \* Á& ] ^Áå Ác@Áà^æå \* & ] È!Ác@Á] !^••Ác@Á•^æå ç Ác@Á•] å à!@ ~•å \* ÈV@Áå } !Á!å Á! Ác@Á•^æå! ~•Áà^ ÖUY B Èç, æåÁc@Áà^æå \* È! [ Á! à!æå òå •^æå åÁå •æ!Ác@ÁQ~•å \* È

I È Q•æ!Ác@Á] å à!Áå Ác@ÁQ~•å \* ÈSå @ Á!^••c@Á! } åÁ! Ác@Á•] å à!Áç Á•^æåc@Á] å à!æå •c@Á^æå \* Áå } !Á^æ! È

Í È V'! } Ác@Á] å à!ÁQ~•å \* Á ç!Áç ] Á! •æå } Dæ åÁ!Á æc@Á!Á] å à!ÁS' à!æå çQ æç { à!ÁÈ! | €€€€Á c@Á] Á!^••Á! Ác@Á] ] !Á^æå \* Á& ] È

Ï È Û ] ]!Ác@Á] ç { Á! Ác@Á] å à!Áå åÁ!^••Ác@Á] ] !Á^æå \* Á& ] ^Áå åÁ^æå \* Áæåb•ç ^ } ç!Áç^Á! } ç c@Á] å à!ÁÈ



**NOTE:** The spindle housing must turn freely when seating the bearing cone and sleeve.

ì È Ú!^••Ác@Áç [ Á ] !Á^æå ç Ác@Á] å à!ÁQ~•å \* ÈV@Áå } !Á!å Á! Ác@Á^æå! ~•Á^ÁÚÈæ æÁ! { Ác@Áà^æå \* È! [ Áç&^•Á! à!æå çæå Á•æå^È

ï È Q•æ!Ác@Á^æå \* Áæåb•ç ^ } ç!Áç^Á! } Dæ! Ác@Á!Á! ÁÈÈ! Á!Á^æå & Á!Áç ^ } Ác@Á! ~Áå åÁc@Á!Áç^È Q•æ!Ác@Á^æå Á æc@Á] ] æå \* Ác@Áæå ç Ác@Á^È È æÈQ•æ!Ác@Á^æå \* Á! & Á! ~ÁçQ~Á! } Dæ åÁc@Á] å c@Á! } ææ •çæ Á æc@Á] ] æåb•ç ^ } ç!Áç^Á! ] ] , å \* Á^æç } Á! Á!Á^æå \* Áæåb•ç ^ } È

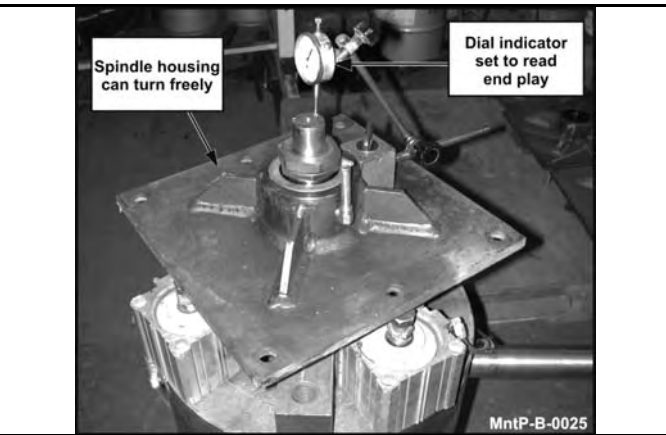
## 695 F-B; 58>I GHA9BH

FÈ Ö!æ ] Ác@Á] ç { Á! } åÁ! Ác@Á] å à!Á^& ] !Á! åæå^Á [ Ác@Á] å à!ÁQ~•å \* Á! } •Á!Á! È

GÈ Ú! •æå } Ác@Á] æ } ^Ác@Áæ Á!Áæå åÁæ! Á! } Ác@ [ ~ç!Á!Áæ ^ç!Á! Ác@Á] å à!ÁQ~•å \* Á! ÈS! ææc@Á] åÁ! Ác@Á!Áæå åÁæ! !Áæ æå •c@Á!Áæ! } å [ Ác@Á] å à!Á^••Ác@Á] Á!Áæ! Á! åÁ! , { ^æ~!Á!Áæ& ] æ!Á! Á!Áæå \* Á! } åÁ!æÈ

HÈ Vå @ } Ác@Á!Áæå \* Áæåb•ç ^ } ç!Áç } ç!Áç^Á! Á!Áç & Ç [ ç! ^ } ç! @ } Ác@Á] å à!ÁQ~•å \* åÁ!Á!Á! , æåÁæ æÁ! { Ác@Á!Áæ •È

I È Y @ } Ác@Á!Áæ Á!Áç & Ç!Á!Á! ] æÁ!Áç ^ } Ác@ •] å à!Áå åÁQ~•å \* Èå •æ!Ác@Á!Áæå \* Á! & Á! ~çQ~Á! } Dæ! ] åÁc@Á!Áæ •ç \* Á! ~ç!Áç^Á! } Áæ å c@Á! } Ác@Á] & Á! ~ç!Áç^Á! } È!Á!Á! } ~ÁÈ



Í È Ç!Á!Ác@Á] & Á! ~ç!Áç @ } ^Ác@Á!Á! ~•Á!ÁÈÈFå & Ç!Á!ÁÈÈHå & Ç!Á!Á!Á!æÁ @ } Áæ ç!Á!Á! } Á! } c@Á] å à!ÁQ~•å \* È

Ï È Q•æ!Ác@Á] åÁ! ] æÁ!Á! ]!Á&ÈÈÈFå & Ç!Á!ÁÈÈHå & Ç!Á!Á!Á! } åÁæ •Á] Á! } Áæ Á æc@Á] Á!Áç^ } c@Á] & Á! ~ç!Áç { [ [ •^ } å \* È

ï È Q•æ!Ác@Á] åÁ! ] æÁ!Á! UVÁ! ]!Á&È! [ •^ } Ác@Á] & Á! ~ç!Áç } Ác@Á!Áæ •ç ^ } ç!Áç^Á! ~Á!Áå åÁ^È! } Ác@ [ & Á! ~ç!Áç^Á! } Áæå •ç!Áç^Á! } ÁÈ

ÜÖÖÄÜUVÖÜY T æç } æ & Á!Áç } Á ÈÇG



A5 -BH9 B5 B7 9

A5 -BH9 B5 B7 9

ÙÖÒÄÛUVOËÿ

T æ ç } æ & ^ Á ^ & ç } Á Ë



**PARTS SECTION**

# PART NAME INDEX

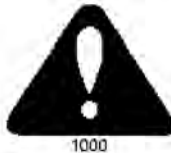
PARTS ORDERING GUIDE.....	3
TRACTOR MOUNT KIT - FRONT PUMP.....	4
TRACTOR MOUNT KIT - HYDRAULICS - FRONT PUMP.....	6
TRACTOR MOUNT KIT - ZERO SPOOL.....	8
TRACTOR MOUNT KIT ZERO SPOOL HYDRAULICS.....	10
TRACTOR MOUNT KIT - REAR PUMP.....	12
TRACTOR MOUNT KIT - HYDRAULICS - REAR PUMP.....	14
BATTERY RELOCATION.....	16
2 SPOOL CABLE CONTROL STAND.....	18
CABLE (MANUAL) LIFT VALVE - 2 SPOOL CABLE.....	20
CABLE (MANUAL) LIFT VALVE - 2 SPOOL COMBO.....	22
CABLE (MANUAL) LIFT VALVE BREAKDOWN - 06502051.....	24
CABLE (MANUAL) LIFT VALVE BREAKDOWN - 24500.....	26
REAR HYDRAULIC PUMP BREAKDOWN.....	28
WHEEL SPACER.....	30

## PARTS ORDERING GUIDE

The following instructions are offered to help eliminate needless delay and error in processing purchase orders for the equipment in this manual.

1. The Parts Section is prepared in logical sequence and grouping of parts that belong to the basic machine featured in this manual. Part Numbers and Descriptions are given to help locate the parts and quantities required.
2. The Purchase Order must indicate the **Name and Address** of the person or organization ordering the parts, **who should be charged**, and if possible, the **serial number of the machine** for which the parts are being ordered.
3. The purchase order must clearly list the **quantity of each part**, the complete and correct **part number**, and the basic **name of the part**.
4. The manufacturer reserves the right to substitute parts where applicable.
5. Some parts may be unlisted items which are special production items not normally stocked and are subject to special handling. Request a quotation for such parts before sending a purchase order.
6. The manufacturer reserves the right to change prices without prior notice.

NOTE: When ordering replacement decals, refer to the part numbers and descriptions listed in the safety section in the front of this manual.

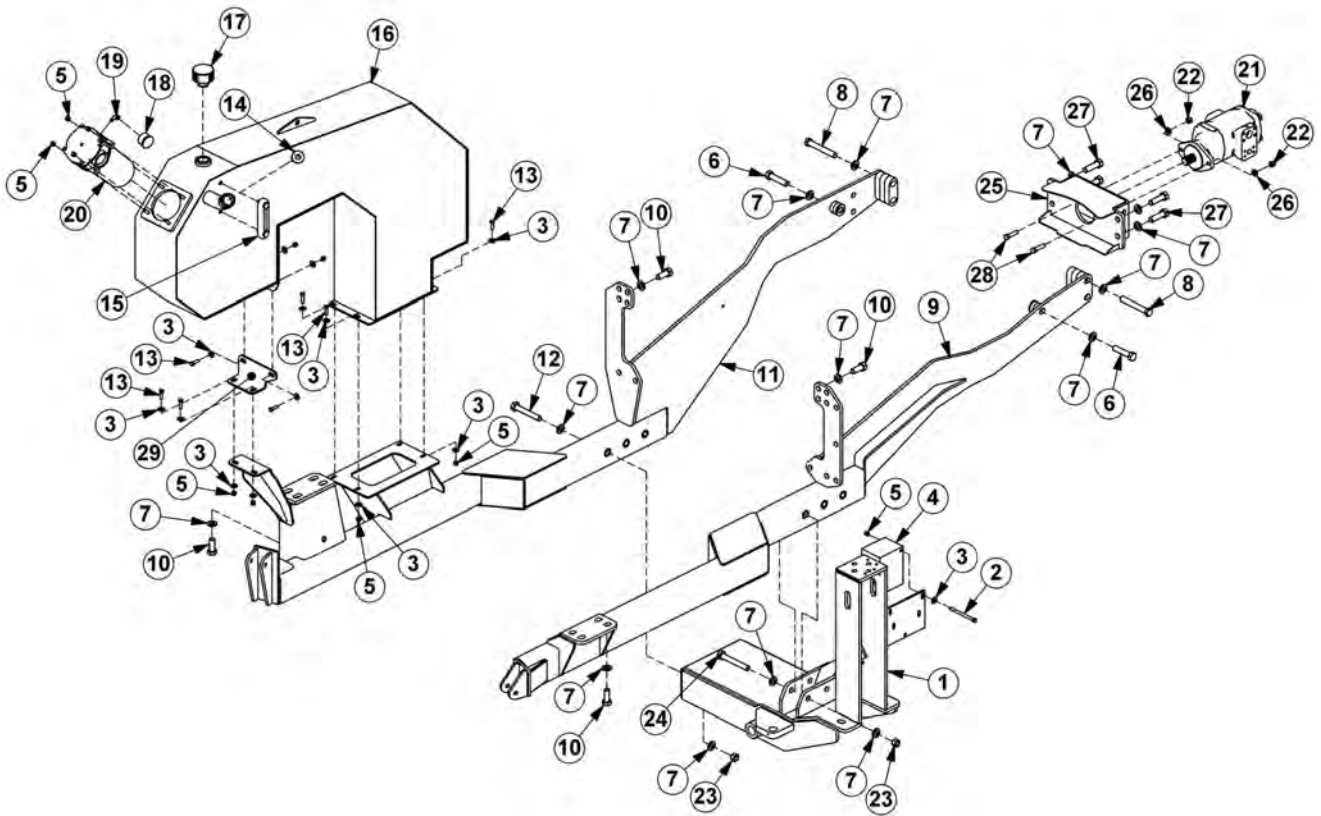


For maximum safety and to guarantee optimum product reliability, always use genuine **Tiger** replacement parts. The use of inferior replacement parts may cause premature or catastrophic failure which could result in serious injury or death.

Direct any questions regarding parts to:

**Tiger Corporation**  
3301 N. Louise Ave.  
Sioux Falls, SD 57107  
1-800-843-6849  
1-605-336-7900

# TRACTOR MOUNT KIT - FRONT PUMP

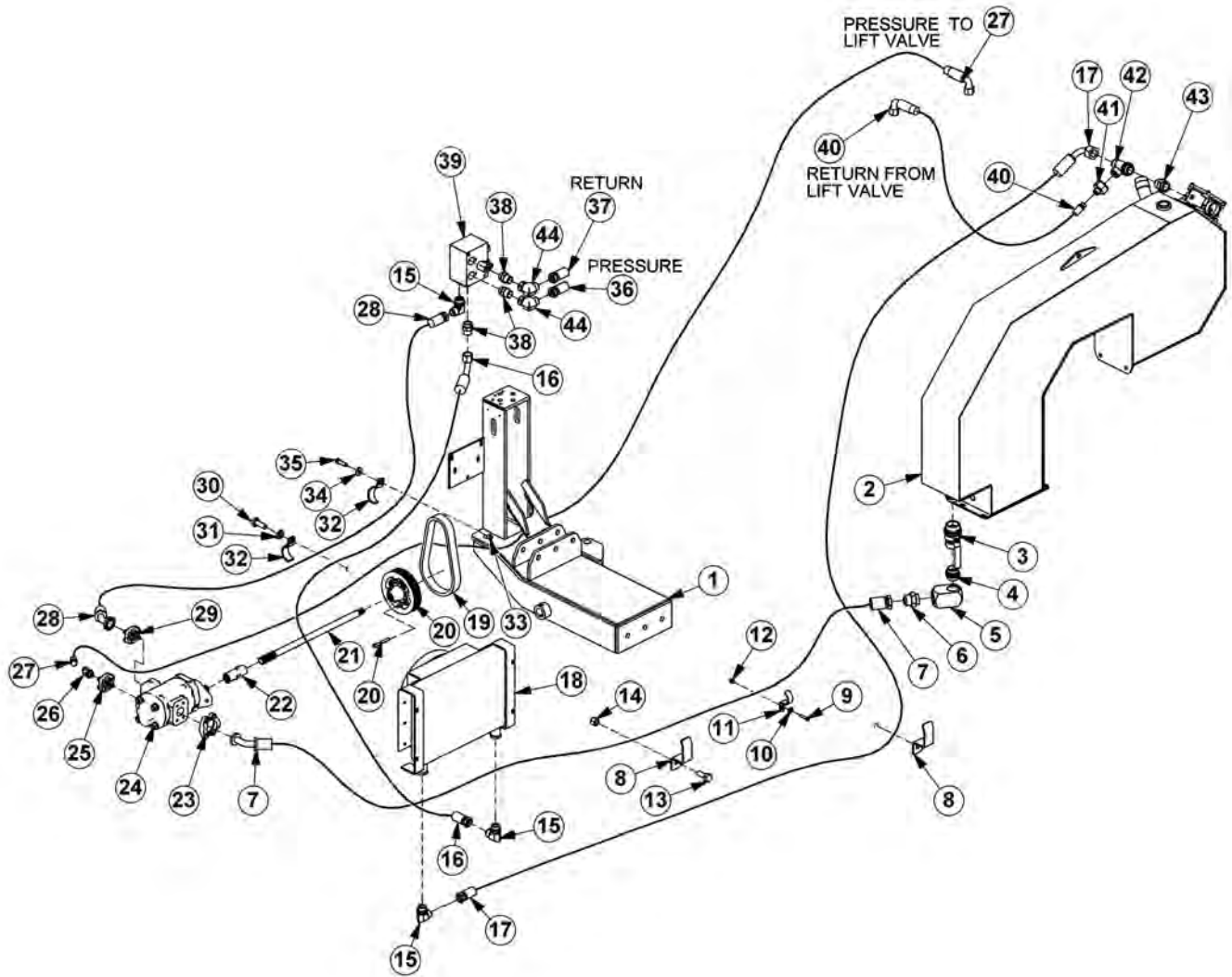


## TRACTOR MOUNT KIT - FRONT PUMP

Continued...

ITEM	PART NO.	QTY.	DESCRIPTION
1	06300236	1	MAIN FRAME,JD6XXXX
2	21644	2	CAPSCREW,3/8" X 5",NC
3	22016	6	FLATWASHER,3/8"
4	06510083	1	VALVE,BRAKE
5	21627	18	NYLOCK NUT,3/8",NC
6	30708	2	CAPSCREW,20MM X 90MM,2.5P
7	33880	38	FLATWASHER,3/4"
8	06530542	4	CAPSCREW,20MM X 130MM,2.5P
9	06300234	1	AXLE BRACE,RIGHT
10	31731	20	CAPSCREW,20MM X 50MM,2.5P
11	06300278	1	AXLE BRACE,LEFT
12	21842	3	CAPSCREW,3/4" X 5",NC
13	21631	8	CAPSCREW,3/8" X 1-1/4",NC
14	06505127	1	PLUG,#20 SAE
15	06505067	1	SIGHT GLASS
---	06503175	1	KIT,SEAL,SIGHT GLASS
16	06700091	1	TANK,WHEEL WELL
17	06505077	1	CAP,BREATHER
18	6T0649	1	FILTER GAGE
19	TF4888	1	STREET ELBOW,1/8"
20	06505044	1	ASSY,FILTER,IN-TANK
21	23438	1	PUMP
22	21727	2	NYLOCK NUT,1/2",NC
23	21825	6	HEX NUT,3/4",NC
24	6T2309	3	CAPSCREW,3/4" X 5-1/2",NC
25	06380061	1	MOUNT,PUMP
26	06533004	2	FLATWASHER,1/2",SAE
27	25341	4	CAPSCREW,16MM X 70MM
28	21733	2	CAPSCREW,1/2" X 2",NC
29	06412310	1	BRACKET, WHEEL WELL TANK

## TRACTOR MOUNT KIT - HYDRAULICS - FRONT PUMP



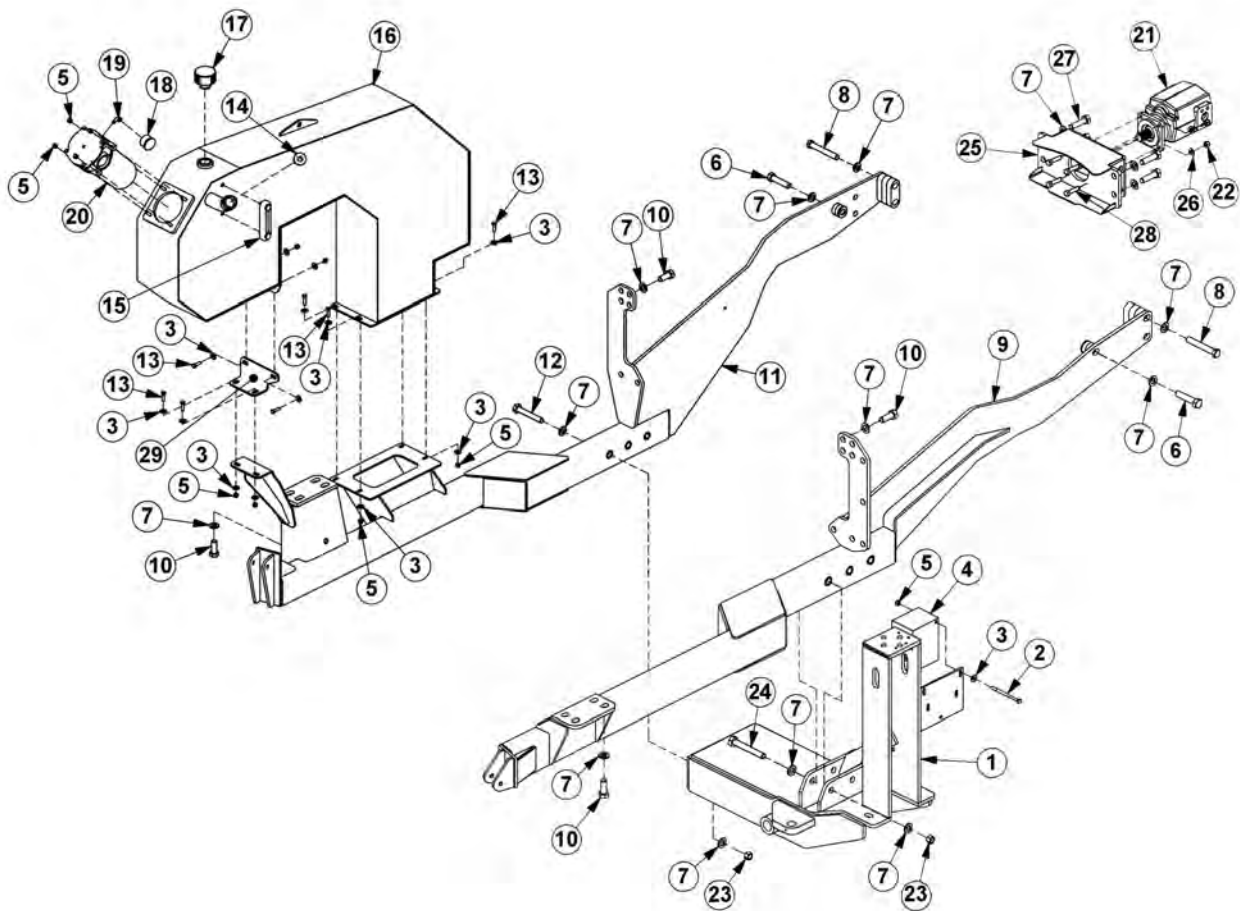
ITEM	PART NO.	QTY.	DESCRIPTION
1	06300236	1	MAINFRAME
2	06700213	1	TANK, HYDRAULIC, WHEEL WELL
3	34309	1	BALL VALVE, 1 - 1/2" FOR
4	06503083	1	ADAPTER, 1-1/2" ORB X 1-1/2" ORB
5	06503084	1	ELBOW, 1-1/2" FB X 1-1/2" FB
6	34710	1	ADAPTER, 1-1/2" ORB X 1-1/2" MJ
7	06500746	1	HOSE, 2" X 107

## TRACTOR MOUNT KIT - HYDRAULICS - FRONT PUMP

Continued...

ITEM	PART NO.	QTY.	DESCRIPTION
8	32382	2	BRACKET,HOSE
9	21632	1	CAPSCREW,3/8" X 1-1/2", NC
10	22016	1	FLATWASHER,3/8"
11	06411136	1	BRACKET,HOSE
12	21627	1	NYLOCK NUT,3/8", NC
13	21832	1	CAPSCREW,3/4" X 2", NC
14	21827	1	NYLOCK NUT,3/4", NC
15	34117	3	ELBOW,1"MB X 1"MJ,FORGED
16	06500243	1	HOSE,1" X 97"
17	06400812	1	HOSE,1" X 197"
18	----	1	COOLER,FRONT MNT ASSEMBLY
19	-----	1	JOHN DEERE BELT (EXISTING)
20	SJ23950	1	JOHN DEERE PULLEY KIT
21	06420116	1	DRIVE SHAFT
22	6T0375B	1	COUPLING
23	TF4854	1	KIT,FLANGE #24
24	23438	1	PUMP
25	06503174	1	KIT,FLANGE,#12
26	06503198	1	ELBOW,3/4" MJ X 12FL45°
27	06500811	1	HOSE,1" X 182"
28	06500744	1	HOSE,1" X 71"
29	TF4852	1	KIT,FLANGE,#20
30	30708	1	CAPSCREW,20MM X 90MM, 2.5P
31	33880	1	FLATWASHER,3/4"
32	TB3012	2	CLAMP,CROSSOVER TUBE
33	21727	1	NYLOCK NUT,1/2", NC
34	22018	1	FLATWASHER,1/2",WIDE
35	21732	1	CAPSCREW,1/2" X 1- 3/4" NC
36	06500684	1	HOSE,1" X 96"
37	06500683	1	HOSE,1" X 93"
38	33555	3	ADAPTER,1"MB X 1"MJ
39	06510083	1	BRAKE VALVE
40	06500496	1	HOSE,3/4" X 50"
41	35280	1	ADAPTER, 1-1/4"FJ X 3/4" MJ
42	34656	1	TEE,RUN,1-1/4" ORB X 1-1/4" MJ X 1-1/4"
43	34067	1	ADAPTER,1-1/4" MOR X 1-1/4" MJ
44	33259	2	ELBOW,1" MJ X 1" FJX 90°

# TRACTOR MOUNT KIT - ZERO SPOOL



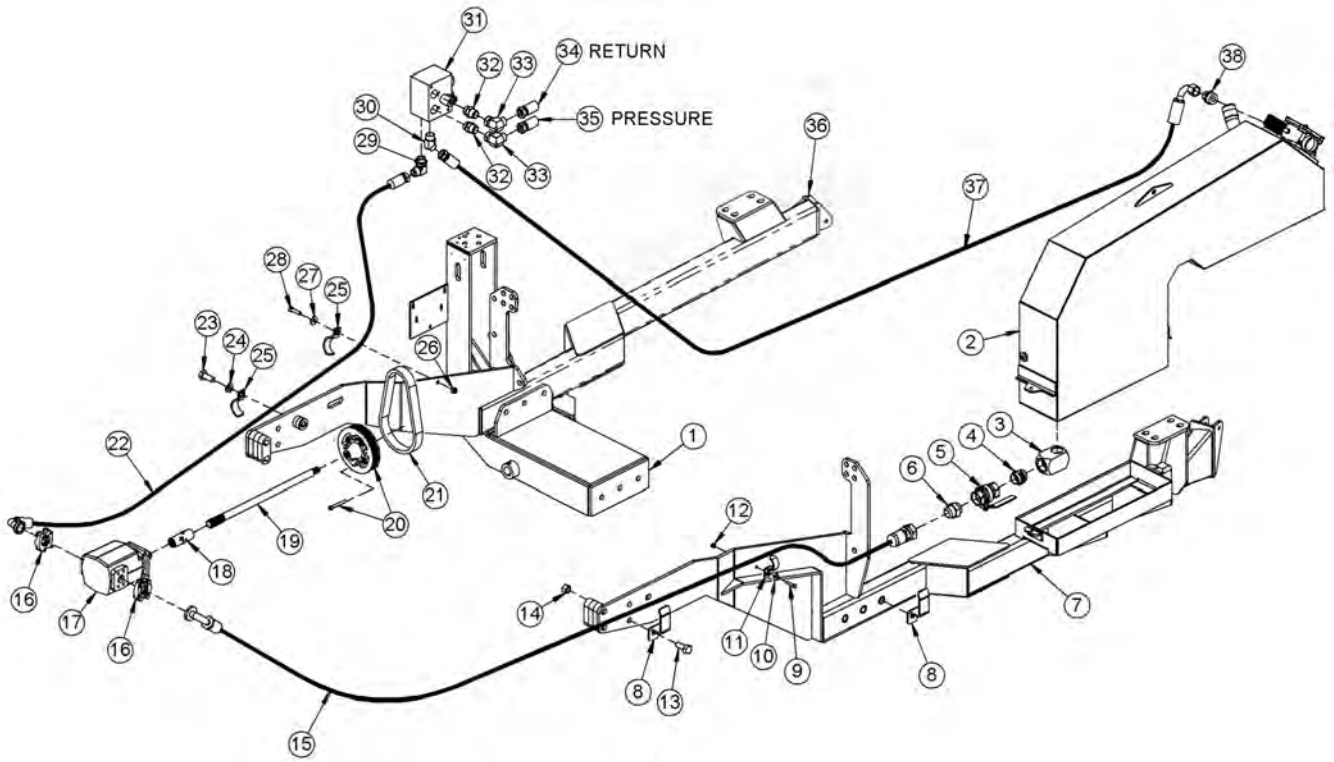


## TRACTOR MOUNT KIT - ZERO SPOOL

Continued...

ITEM	PART NO.	QTY.	DESCRIPTION
1	06300236	1	MAIN FRAME,JD6XXXX
2	21644	2	CAPSCREW,3/8" X 5",NC
3	22016	6	FLATWASHER,3/8"
4	06510083	1	VALVE,BRAKE
5	21627	8	NYLOCK NUT,3/8",NC
6	30708	2	CAPSCREW,20MM X 90MM,2.5P
7	33880	38	FLATWASHER,3/4"
8	06530542	4	CAPSCREW,20MM X 130MM,2.5P
9	06300234	1	AXLE BRACE,RIGHT
10	31731	20	CAPSCREW,20MM X 50MM,2.5P
11	06300278	1	AXLE BRACE,LEFT
12	21842	3	CAPSCREW,3/4" X 5",NC
13	21631	2	CAPSCREW,3/8" X 1-1/4",NC
14	06505127	1	PLUG,#20 SAE
15	06505067	1	SIGHT GLASS
---	06503175	1	KIT,SEAL,SIGHT GLASS
16	06700213	1	TANK,WHEEL WELL
17	06505077	1	CAP,BREATHER
18	6T0649	1	FILTER GAGE
19	TF4888	1	STREET ELBOW,1/8"
20	06505044	1	ASSY,FILTER,IN-TANK
21	23152	1	PUMP
22	21727	4	NYLOCK NUT,1/2",NC
23	21825	6	HEX NUT,3/4",NC
24	6T2309	3	CAPSCREW,3/4" X 5-1/2",NC
25	06380061	1	MOUNT,PUMP
26	06533004	4	FLATWASHER,1/2",SAE
27	25341	4	CAPSCREW,16MM X 70MM
28	21733	4	CAPSCREW,1/2" X 2",NC
29	06412310	1	BRACKET, WHEEL WELL TANK

TRACTOR MOUNT KIT ZERO SPOOL HYDRAULICS

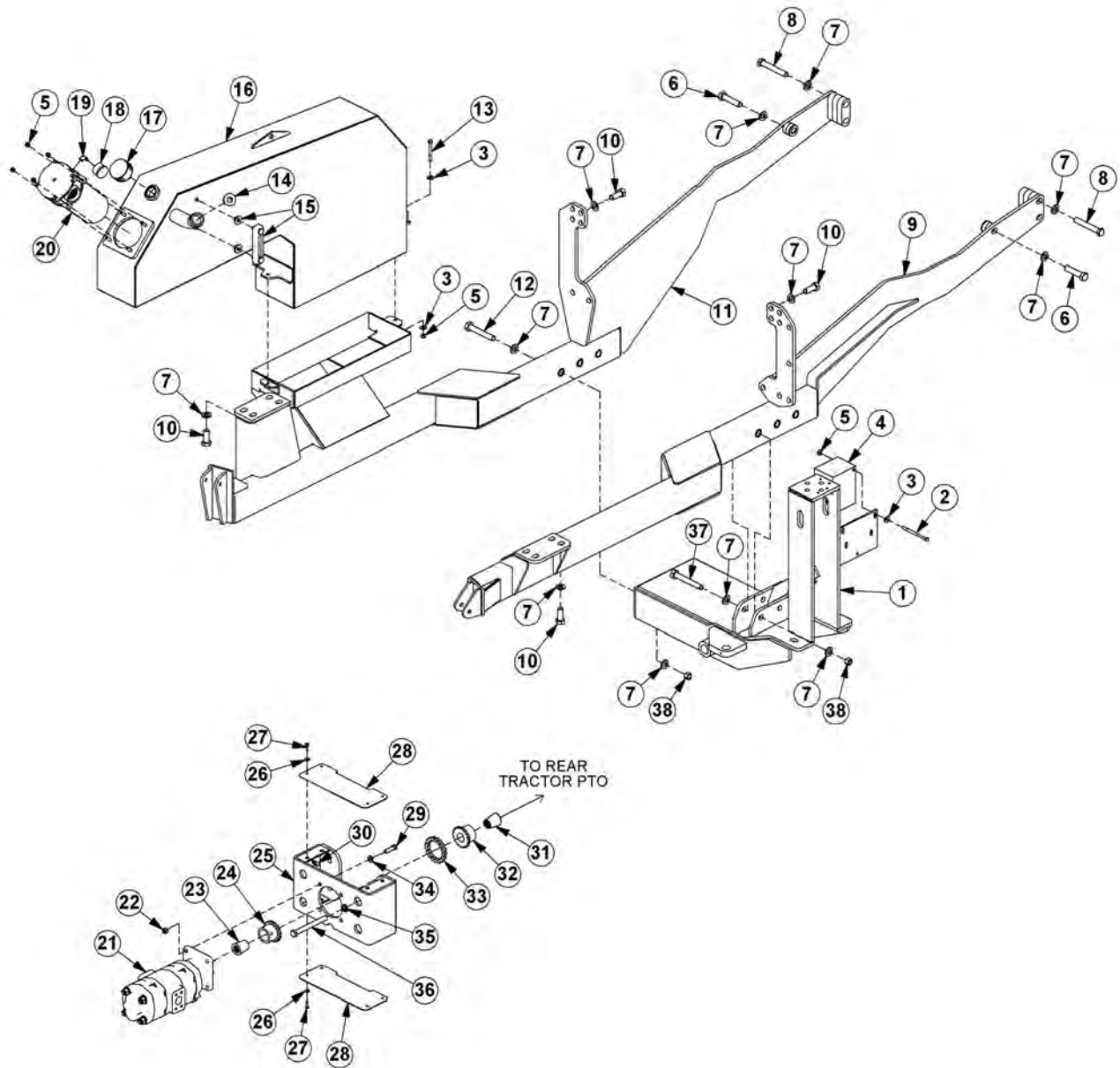


## TRACTOR MOUNT KIT ZERO SPOOL HYDRAULICS

Continued...

ITEM	PART NO.	QTY.	DESCRIPTION
1	---	1	MAIN FRAME * REFER TO TRACTOR MOUNT KIT
2	06700213	1	TANK, HYDRAULIC, WHEEL WELL
3	06503084	1	ELBOW, 1-1/2" FOR X 1-1/2" FOR
4	06503083	1	ADAPTER, 1-1/2" MOR X 1-1/2" MOR
5	34309	1	BALL VALVE, 1-1/2" FOR
6	34710	1	ADAPTER, 1-1/2" MOR X 1-1/2" MJ
7	----	1	AXLE BRACE, LH * REFER TO TRACTOR MOUNT KIT
8	32382	2	BRACKET, HOSE
9	21632	1	CAPSCREW, 3/8" X 1-1/2", NC
10	22016	1	FLATWASHER, 3/8"
11	6411136	1	BRACKET, HOSE
12	21627	1	NYLOCK NUT, 3/8", NC
13	21832	1	CAPSCREW, 3/4" X 2", NC
14	21827	1	NYLOCK NUT, 3/4", NC
15	06500680	1	HOSE, 1-1/2" X 107"
16	TF4852	2	KIT, FLANGE, #20
17	23152	1	PUMP
18	6T0375B	1	COUPLING
19	06420166	1	DRIVE SHAFT
20	BLV10679	1	JOHN DEERE PULLEY KIT
21	----	1	JOHN DEERE BELT (EXISTING)
22	06500274	1	HOSE, 1" X 74"
23	30708	1	CAPSCREW, 20MM X 90MM, 2.5P
24	33880	1	FLATWASHER, 3/4"
25	TB3012	2	CLAMP, HOSE
26	21727	1	NYLOCK NUT, 1/2", NC
27	22018	1	FLATWASHER, 1/2"
28	21732	1	CAPSCREW, 1/2" X 1-3/4"
29	34117	1	ELBOW, 1" MOR X 1" MJ
30	33554	1	ELBOW, 1" MOR X 1" MJ, 45°
31	06510083	1	BRAKE VALVE
32	33555	2	ADAPTER, 1" MOR X 1" MJ
33	33259	2	ELBOW, 1" MOR X 1" FJX90
34	06500683	1	HOSE, 1" X 96" (RETURN)
35	06500684	1	HOSE, 1" X 93 (PRESSURE)
36	---	1	AXLE BRACE, RH * REFER TO TRACTOR MOUNT KIT
37	06500747	1	HOSE, 1" X 115"
38	34064	1	ADAPTER, 1-1/4" MOR X 1" MJ

# TRACTOR MOUNT KIT - REAR PUMP



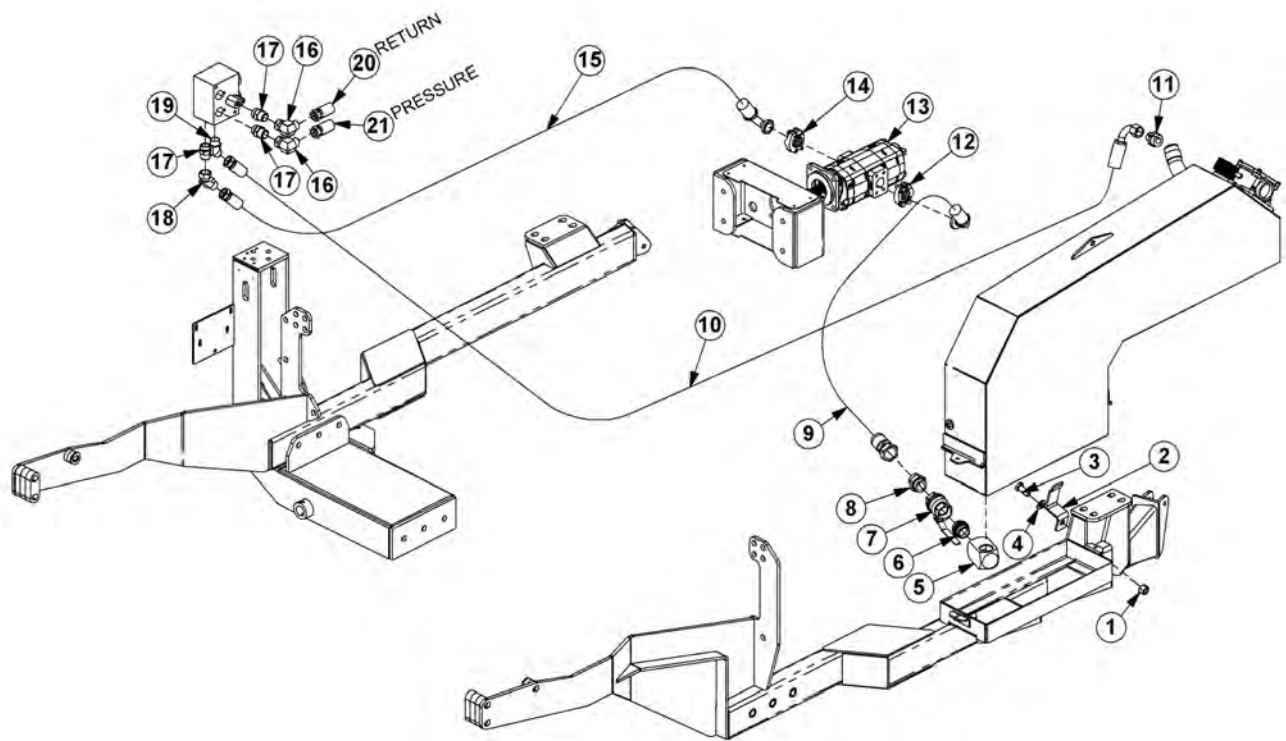
## TRACTOR MOUNT KIT - REAR PUMP

Continued...

ITEM	PART NO.	QTY.	DESCRIPTION
1	06300236	1	MAIN FRAME,JD6XXXX
2	21644	2	CAPSCREW,3/8" X 5",NC
3	22016	6	FLATWASHER,3/8"
4	06510083	1	VALVE,BRAKE
5	21627	8	NYLOCK NUT,3/8",NC
6	30708	2	CAPSCREW,20MM X 90MM,2.5P
7	33880	38	FLATWASHER,3/4"
8	06530542	4	CAPSCREW,20MM X 130MM,2.5P
9	06300234	1	AXLE BRACE,RIGHT
10	31731	20	CAPSCREW,20MM X 50MM,2.5P
11	06300235	1	AXLE BRACE,LEFT
12	21842	3	CAPSCREW,3/4" X 5",NC
13	21639	2	CAPSCREW,3/8" X 3-1/4",NC
14	06505127	1	PLUG,#20 SAE
15	06505067	1	SIGHT GLASS
---	06503175	1	KIT,SEAL,SIGHT GLASS (LENZ)
16	06700091	1	TANK,WHEEL WELL
17	06505077	1	CAP,BREATHER
18	6T0649	1	FILTER GAGE
19	TF4888	1	STREET ELBOW,1/8"
20	06505044	1	ASSY,FILTER,IN-TANK
21	06504131	1	PUMP,TANDEM
22	21725	4	HEX NUT,1/2",NC
23	6T0372	1	BUSHING,14 SPLINE
24	6T0373	1	SPROCKET,PUMP
25	06380058	1	MOUNT,PUMP
26	22014	8	FLATWASHER,1/4"
27	21530	8	CAPSCREW,1/4" X 1",NC
28	06401703	2	COVER,PUMP MOUNT
29	21732	4	CAPSCREW,1/2" X 1-3/4",NC
30	35176	8	U-NUT,1/4"
31	6T0370	1	BUSHING,21 SPLINE
32	6T0371	1	SPROCKET,PTO
33	6T1037	1	CHAIN,COUPLING
34	06533004	4	FLATWASHER,1/2",SAE
35	31956	4	FLATWASHER,16MM
36	06530543	4	CAPSCREW,16MM X 170MM,2.0P
37	6T2309	3	CAPSCREW,3/4" X 5-1/2",NC
38	21825	6	HEX NUT,3/4",NC

JD6xxxD TM/TSR

# TRACTOR MOUNT KIT - HYDRAULICS - REAR PUMP

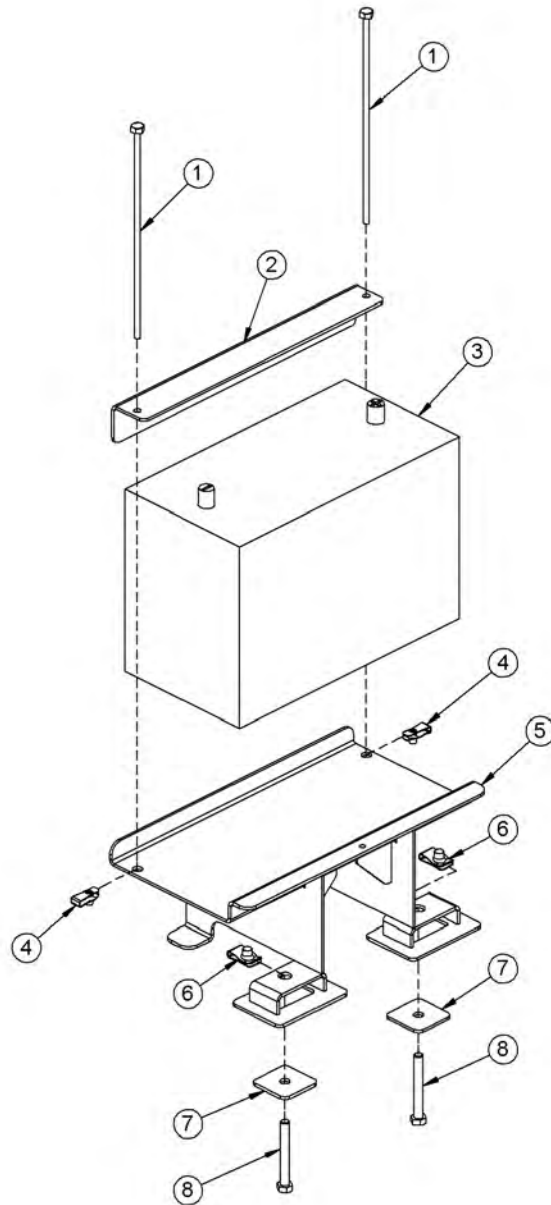


## TRACTOR MOUNT KIT - HYDRAULICS - REAR PUMP

Continued...

ITEM	PART NO.	QTY.	DESCRIPTION
1	21827	1	NYLOCK NUT,3/4",NC
2	32382	1	BRACKET,HOSE
3	21831	1	CAPSCREW,3/4" X 1-3/4",NC
4	33880	1	FLATWASHER,3/4",SAE
5	06503084	1	ELBOW,1-1/2"FOR X 1-1/2"FOR,MACH
6	06503083	1	ADAPTER,1-1/2"MOR X 1-1/2"MOR
7	34309	1	BALL VALVE,1-1/2"FOR
8	34710	1	ADAPTER,1-1/2"MOR X 1-1/2"MJ
9	06500674	1	HOSE,1-1/2" X 80"
10	06500239	1	HOSE,1" X 124"
11	34064	1	ADAPTER,1-1/4"MOR X 1"MJ
12	TF4854	1	KIT,FLANGE,#24
13	-----	-	PUMP *REFER TO TRACTOR MOUNT KIT
14	TF4852	1	KIT,FLANGE,#20
15	06500673	1	HOSE,1" X 117"
16	33259	2	ELBOW,1"MJ X 1"FJX90°
17	33555	3	ADAPTER,1"MOR X 1"MJ
18	24724	1	SWIVEL,1"MJ X 1"FJX45°
19	33554	1	ELBOW,1"MOR X 1"MJ45°
20	06500458	1	HOSE,1" X 95" (60" TSR RETURN)
21	06500431	1	HOSE,1" X 99" (60" TSR PRESSURE)

# BATTERY RELOCATION



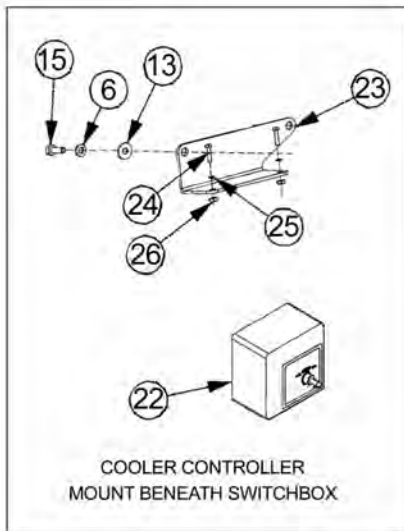
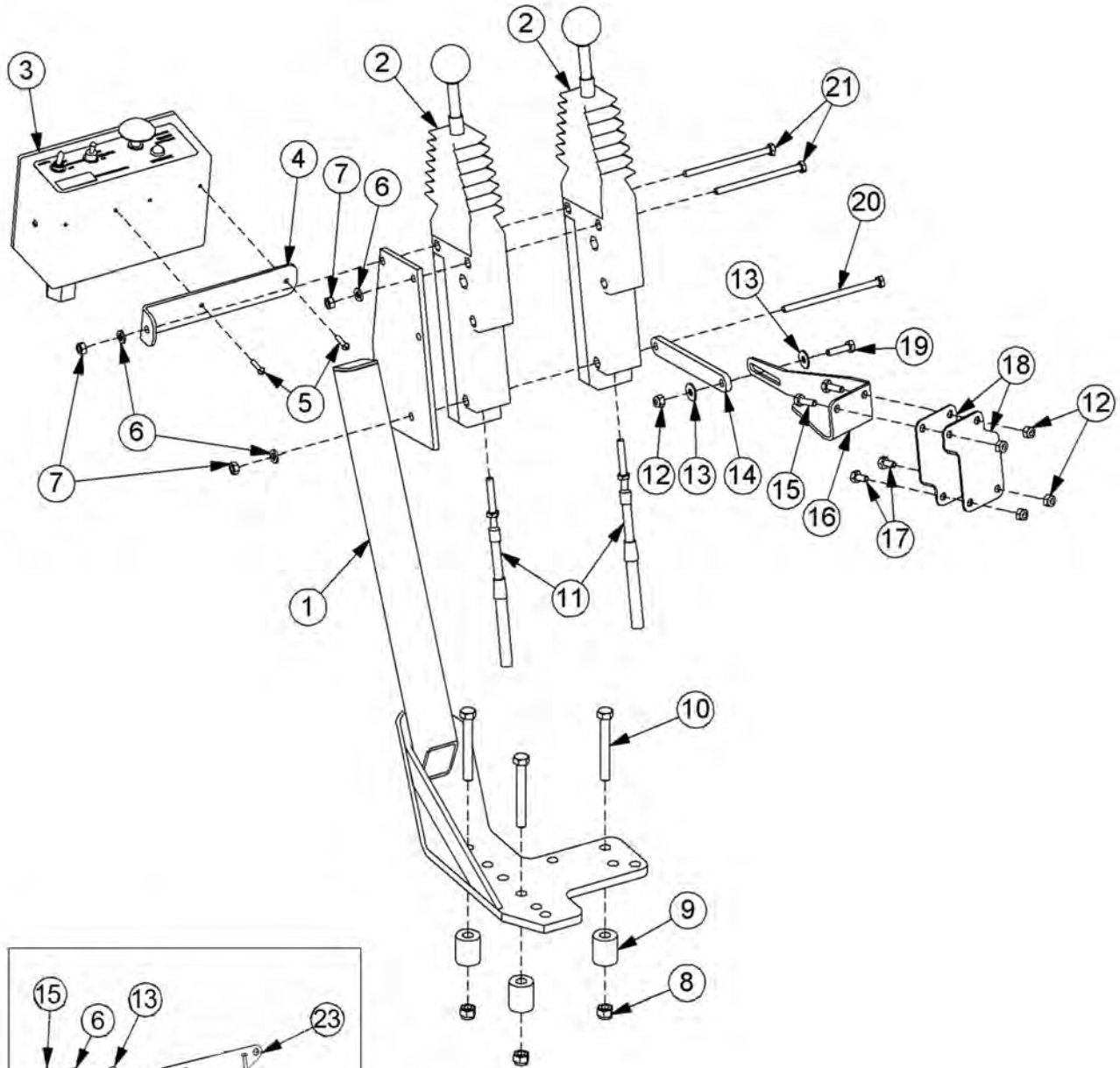


## BATTERY RELOCATION

Continued...

ITEM	PART NO.	QTY.	DESCRIPTION
1	06530234	2	CAPSCREW,1/4" X 10",NC
2	06411429	1	ANGLE
3	-----	-	BATTERY *EXISTING PART
4	35176	2	NUT CLIP,1/4",NC
5	06370231	1	RELOCATION BRACKET
6	06537029	2	NUT CLIP,3/8",NC
7	06401784	2	SQUARE PLATE
8	21638	2	CAPSCREW,3/8" X 3",NC

## 2 SPOOL CABLE CONTROL STAND

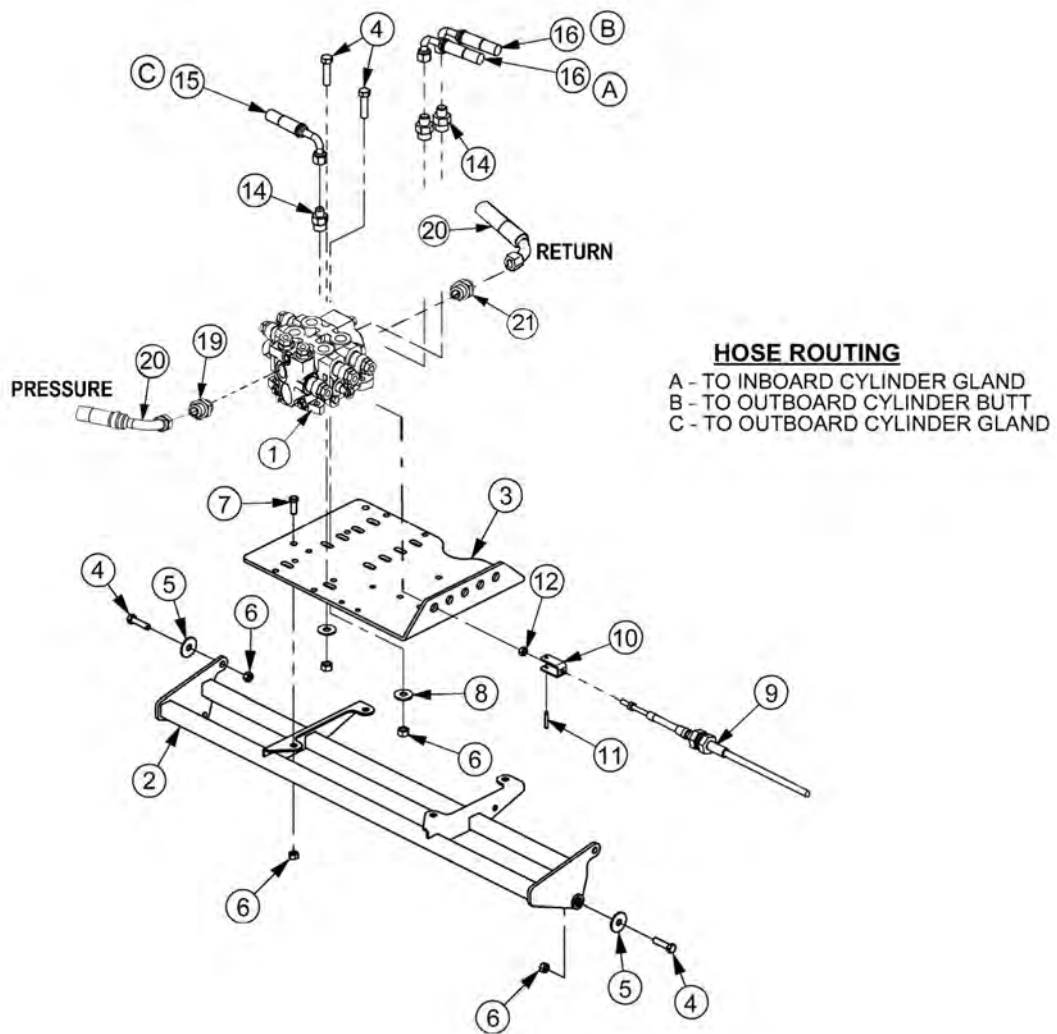


## 2 SPOOL CABLE CONTROL STAND

Continued...

ITEM	PART NO.	QTY.	DESCRIPTION
1	23865B	1	BRKT,CTRL,CBL
2	6T1251	2	CBL CTRL BOX,180 DEG
3	06510102	1	SWITCH BOX,SIDE
4	34496	1	BRKT,SWITCH BOX
5	6T3951	2	SCREW,MACHINE,8-32 X 1/2"
6	21986	3	LOCKWASHER,1/4"
7	21525	3	HEX NUT,1/4",NC
8	21627	3	NYLOCK NUT,3/8",NC
9	27082B	3	SPACER
10	21636	3	CAPSCREW,3/8" X 2-1/2",NC
11	06505100	2	CBL,CNTRL,108"
12	21527	5	NYLOCK NUT,1/4",NC
13	22014	2	FLATWASHER,1/4"
14	06402045	1	SUPPORT,STAND
15	21529	2	CAPSCREW,1/4" X 3/4",NC
16	06411087	1	BRKT,STABILIZER
17	21528	2	CAPSCREW,1/4" X 1/2",NC
18	06411086	2	BRKT,MNT
19	21530	1	CAPSCREW,1/4" X 1",NC
20	21544	1	CAPSCREW,1/4" X 4-1/2",NC
21	21542	2	CAPSCREW,1/4" X 4",NC
22	06510045	1	CONTROLLER, COOLER FAN
23	06411407	1	BRACKET, CONTROLLER
24	32359	2	SCREW, MACHINE, 8-32 X 3/4"
25	32360	2	LOCKWASHER, #8
26	32361	2	HEX NUT #8

# CABLE (MANUAL) LIFT VALVE - 2 SPOOL CABLE

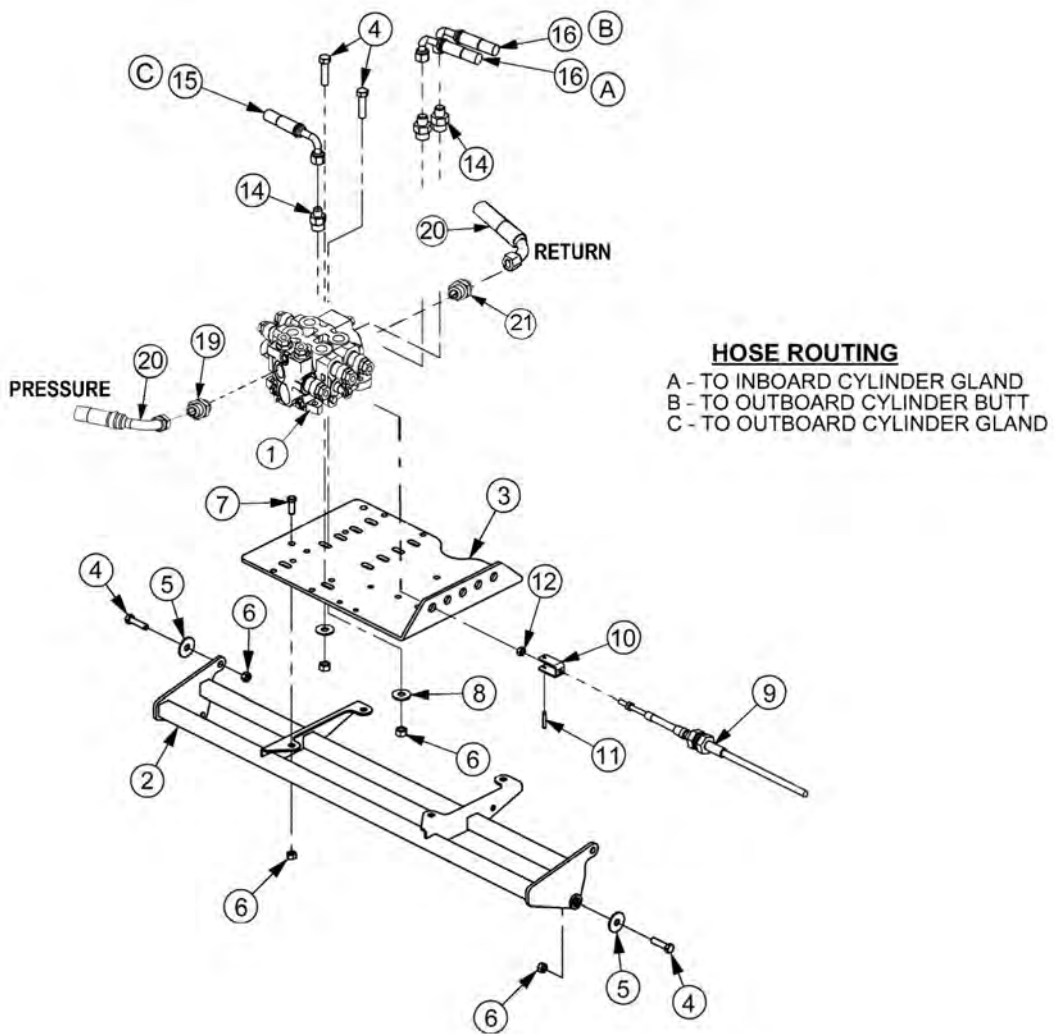


## CABLE (MANUAL) LIFT VALVE - 2 SPOOL CABLE

Continued...

ITEM	PART NO.	QTY.	DESCRIPTION
1	06502186	1	VALVE,2SP
2	06340033	1	VALVE MNT
3	34622	1	PLATE,VALVE,REAR MNT
4	21632	6	CAPSCREW,3/8" X 1-1/2",NC
5	6T2615	4	WASHER,FENDER,3/8"
6	21627	10	NYLOCK NUT,3/8",NC
7	21630	4	CAPSCREW,3/8" X 1",NC
8	22016	4	FLATWASHER,3/8"
9	06505100	2	CBL,CNTRL,108"
10	6T4411	2	CLEVIS,CBL CTRL,3/16"
11	6T3017	2	ROLLPIN,3/16" X 1"
12	21500	2	HEX NUT,1/4",NF
14	33271	3	ADAPTER,1/2"MOR X 3/8"MJ
15	33562	1	HOSE,1/4" X 130"
16	33364	2	HOSE,1/4" X 120"
20	06500782	2	HOSE,3/4" X 70"
21	06503023	2	ADAPTER

# CABLE (MANUAL) LIFT VALVE - 2 SPOOL COMBO

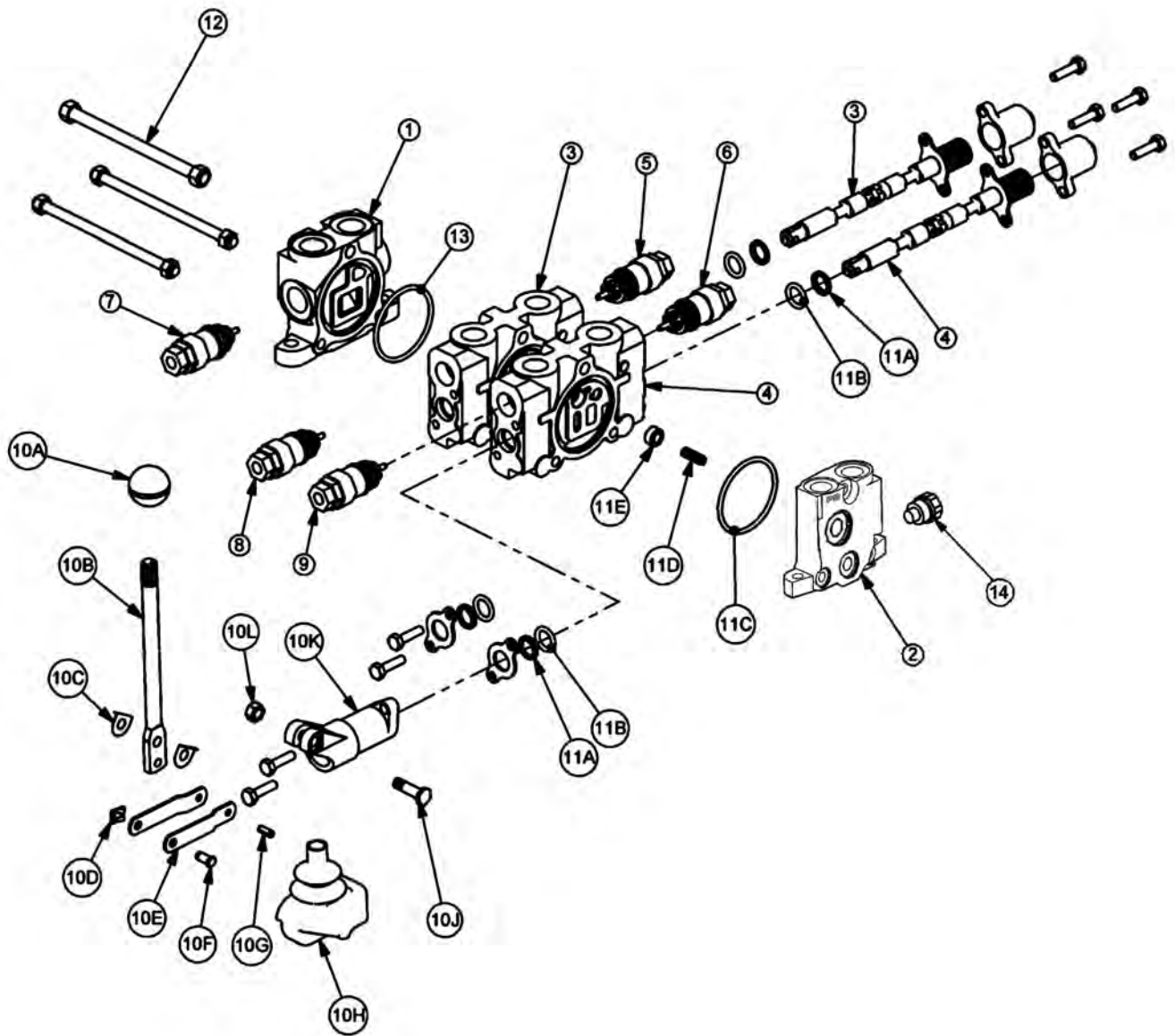


## CABLE (MANUAL) LIFT VALVE - 2 SPOOL COMBO

Continued...

ITEM	PART NO.	QTY.	DESCRIPTION
1	06502180	1	VALVE,2SP
2	06340033	1	VALVE MNT
3	34622	1	PLATE,VALVE,REAR MNT
4	21632	6	CAPSCREW,3/8" X 1-1/2",NC
5	6T2615	4	WASHER,FENDER,3/8"
6	21627	10	NYLOCK NUT,3/8",NC
7	21630	4	CAPSCREW,3/8" X 1",NC
8	22016	4	FLATWASHER,3/8"
9	06505100	2	CBL,CNTRL,108"
10	6T4411	2	CLEVIS,CBL CTRL,3/16"
11	6T3017	2	ROLLPIN,3/16" X 1"
12	21500	4	HEX NUT,1/4",NF
14	33271	3	ADAPTER,1/2"MOR X 3/8"MJ
15	33562	1	HOSE,1/4" X 130"
16	33364	2	HOSE,1/4" X 120"
20	06500811	1	HOSE,3/4" X 182"
21	06503023	2	ADAPTER
22	06500496	1	HOSE, 3/4" X 50"

CABLE (MANUAL) LIFT VALVE BREAKDOWN - 06502051



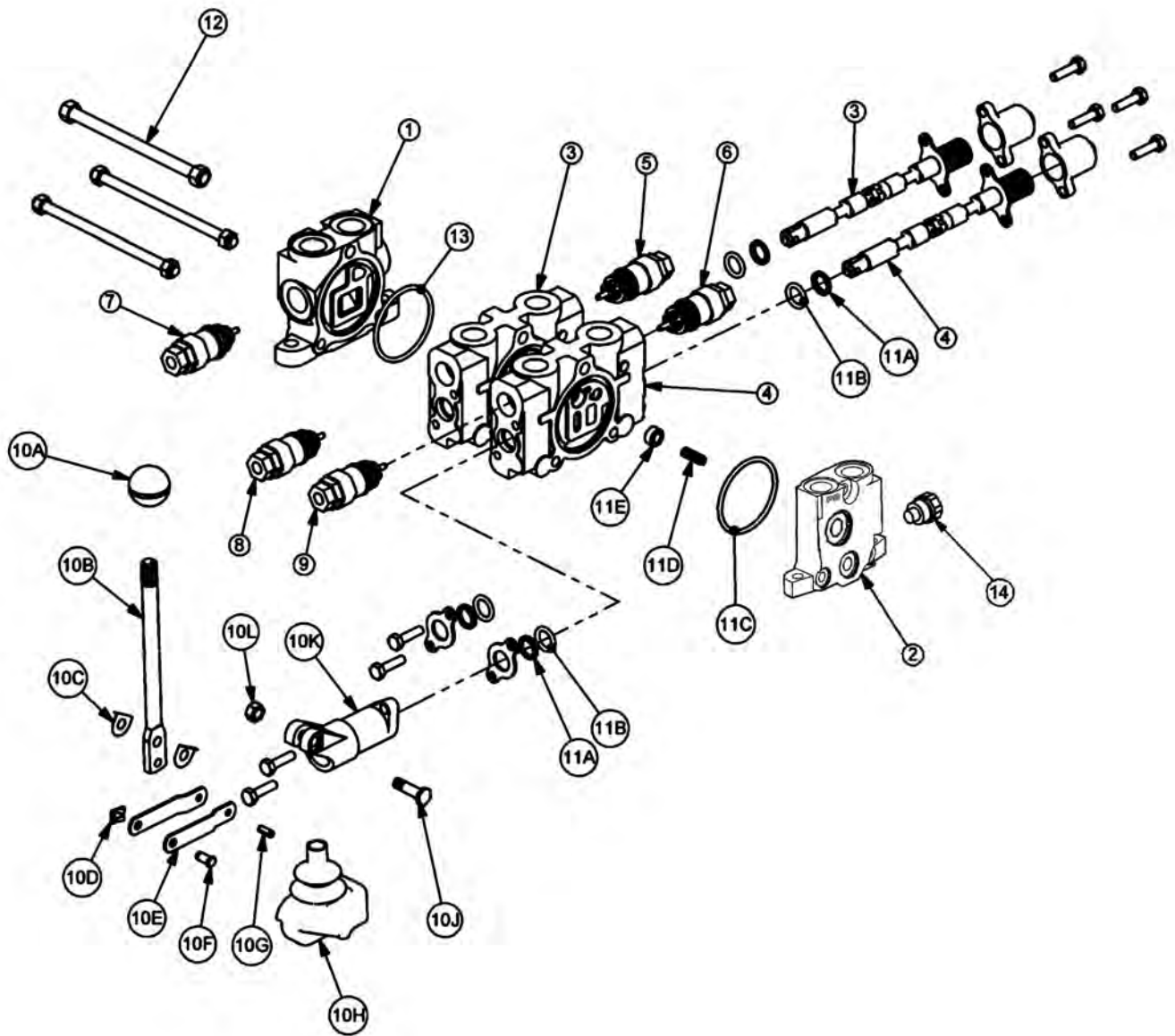


## CABLE (MANUAL) LIFT VALVE BREAKDOWN - 06502051

Continued...

ITEM	PART NO.	QTY.	DESCRIPTION
1	06502149	1	INLET END COVER
2	06502150	1	END COVER,OPEN CENTER
3	TB1017P	1	VALVE SECTION (SINGLE ACTING,SPRING DETENT)
4	06502091	1	VALVE SECTION (DOUBLE ACTING,CENTER SPRING)
5	N/A	-	N/A
6	31861	1	RELIEF VALVE, 360 PSI
7	TB1017E	1	RELIEF VALVE, 2250 PSI
8	TB1017M	1	SHUT-OFF PLUG
9	TB1017M	1	SHUT-OFF PLUG
10	TB1017L	2	LEVER KIT (FOR ONE SECTION)
10A	-----	1	LEVER KNOB
10B	-----	1	LEVER
10C	-----	2	LEVER WASHER
10D	-----	1	LEVER CLIP
10E	-----	2	LINKAGE
10F	-----	1	LEVER PIN
10G	-----	1	ROLL PIN
10H	-----	1	LEVER BOOT
10J	-----	1	LEVER BOLT
10K	-----	1	LEVER DUST COVER
10L	-----	1	LEVER NUT
11	TB1017A	2	VALVE SEAL KIT (FOR ONE SECTION)
11A	-----	2	WIPER
11B	-----	2	O-RING SMALL
11C	-----	2	O-RING LARGE
11D	-----	1	SPRING
11E	-----	1	PUCKET
12	TB1017X	1	TIE ROD KIT
13	24214	1	O-RING, LARGE
14	TB1017M	1	PLUB, RELIEF PORT

# CABLE (MANUAL) LIFT VALVE BREAKDOWN - 24500

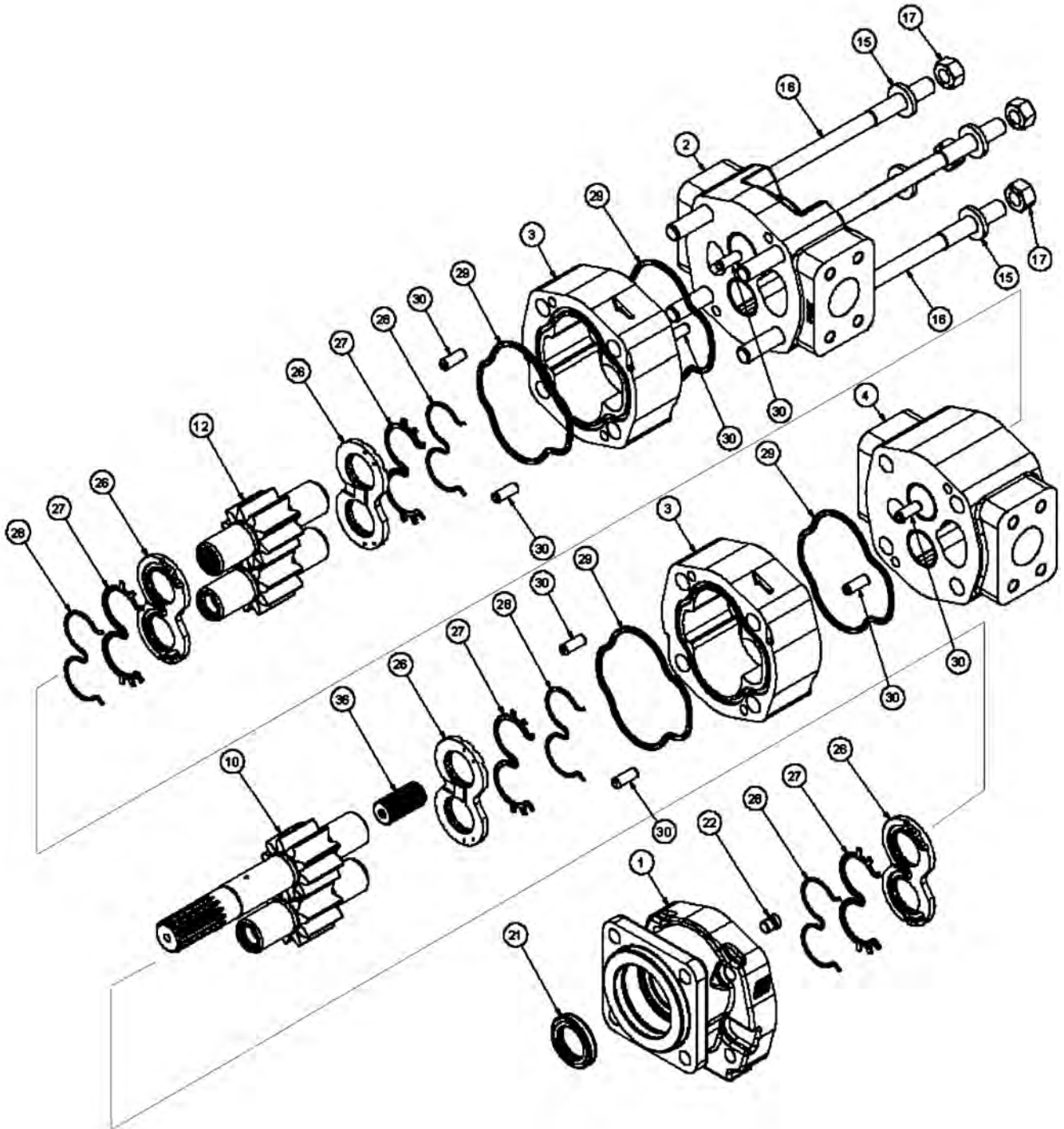


## CABLE (MANUAL) LIFT VALVE BREAKDOWN - 24500

Continued...

ITEM	PART NO.	QTY.	DESCRIPTION
1	06502149	1	INLET END COVER
2	06502150	1	END COVER,OPEN CENTER
3	TB1017P	1	VALVE SECTION (SINGLE ACTING,SPRING DETENT)
4	TB1017P	1	VALVE SECTION (SINGLE ACTING,SPRING DETENT)
5	N/A	-	N/A
6	N/A	-	N/A
7	TB1017E	1	RELIEF VALVE, 2250 PSI
8	TB1017M	1	SHUT-OFF PLUG
9	TB1017M	1	SHUT-OFF PLUG
10	TB1017L	2	LEVER KIT (FOR ONE SECTION)
10A	-----	1	LEVER KNOB
10B	-----	1	LEVER
10C	-----	2	LEVER WASHER
10D	-----	1	LEVER CLIP
10E	-----	2	LINKAGE
10F	-----	1	LEVER PIN
10G	-----	1	ROLL PIN
10H	-----	1	LEVER BOOT
10J	-----	1	LEVER BOLT
10K	-----	1	LEVER DUST COVER
10L	-----	1	LEVER NUT
11	TB1017A	2	VALVE SEAL KIT (FOR ONE SECTION)
11A	-----	2	WIPER
11B	-----	2	O-RING SMALL
11C	-----	2	O-RING LARGE
11D	-----	1	SPRING
11E	-----	1	PUCKET
12	TB1017X	1	TIE ROD KIT
13	24214	1	O-RING, LARGE
14	TB1017M	1	PLUG, RELIEF PORT

# REAR HYDRAULIC PUMP BREAKDOWN

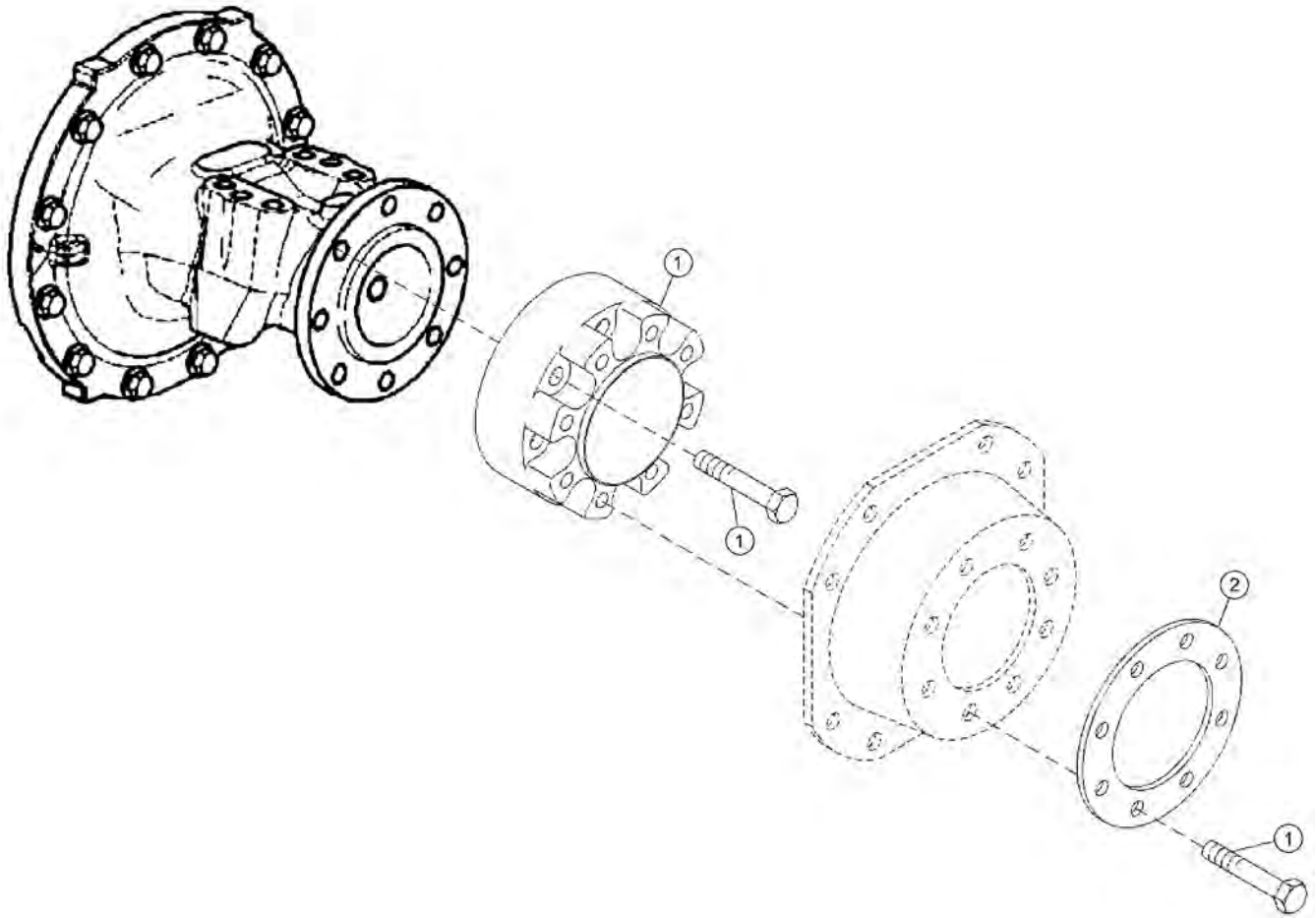


## REAR HYDRAULIC PUMP BREAKDOWN

Continued...

ITEM	PART NO.	QTY.	DESCRIPTION
1	06504133	1	HOUSING,SEC
2	06504082	1	HOUSING,PEC
3	06504134	2	HOUSING,GEAR
4	06504135	1	HOUSING,BEARING CARRIER
10	06504136	1	SET,GEARSHAFT
12	06504137	1	GEAR,SET
15	02961917	4	WASHER
16	06504138	4	STUD
17	22782	4	NUT,HEX
21	22765	1	SEAL,LIP
22	02961920	1	PLUG
26	02987939	4	THRPL
27	02987941	4	SEAL,CHAN
28	02987940	4	SEAL,BK-UP
29	02987942	4	SEAL,SQ-R
30	02979953	8	PIN,DOWEL
36	06504079	1	SFT,CONN
---	22764	1	SEAL KIT (ITEMS 21, 27, 28 & 29)

# WHEEL SPACER



ITEM	PART NO.	QTY.	DESCRIPTION
1	06770025	1	KIT,SPCR,WHL,JD
2	06400919	1	RING,SPACER,WHEEL,JD

# COMMON SIDE ROTARY

## PARTS SECTION

# NOTES





# PART NAME INDEX

PARTS ORDERING GUIDE.....	5
CABLE DRAFT BEAM ASSEMBLY.....	6
COMBO DRAFT BEAM ASSEMBLY.....	8
60IN SIDE CABLE TM ROTARY MOWER.....	10
72IN SIDE CABLE TM ROTARY MOWER.....	12
60IN SIDE COMBO TM ROTARY MOWER.....	14
72IN SIDE COMBO TM ROTARY MOWER.....	16
60IN SIDE TM CHAIN GUARDS.....	18
72IN SIDE TM CHAIN GUARDS.....	20
60IN SIDE TSR ROTARY MOWER.....	22
60IN SIDE TSR REAR GUARDS.....	24
SIDE ROTARY CASTER WHEEL ASSEMBLY.....	26
CASTER WHEEL ASSEMBLY.....	28
ROTARY DISK AND KNIVES.....	29
TM MOWER SPINDLE ASSEMBLY.....	30
TSR MOWER SPINDLE ASSEMBLY.....	32
ROTARY MOTOR BREAKDOWN.....	34
60IN TSR ROTARY MOTOR BREAKDOWN.....	36
FRONT HYDRAULIC PUMP BREAKDOWN.....	38
PUMP AND GRILL GUARD OPTIONS.....	40
RESERVOIR TANK FILTER ASSEMBLY.....	41
COOLER ASSEMBLY.....	42
3IN X 10IN HYDRAULIC CYLINDER BREAKDOWN.....	43
3IN X 12IN HYDRAULIC CYLINDER BREAKDOWN.....	44
3IN X 18IN HYDRAULIC CYLINDER BREAKDOWN.....	45
CABLE (MANUAL) LIFT VALVE BREAKDOWN - 30801.....	46
CABLE (MANUAL) LIFT VALVE BREAKDOWN - 31320.....	48
CABLE (MANUAL) LIFT VALVE BREAKDOWN - 31321.....	50
CABLE (MANUAL) LIFT VALVE BREAKDOWN - 31752.....	52
CABLE (MANUAL) LIFT VALVE BREAKDOWN - 06502040.....	54
CABLE (MANUAL) LIFT VALVE BREAKDOWN - 06502041.....	56
BRAKE VALVE ASSEMBLY.....	58
BRAKE VALVE HYDRAULIC SCHEMATIC.....	59
CABLE DRAFT BEAM TRAVEL LOCK.....	60
COMBO DRAFT BEAM TRAVEL LOCK.....	61
SWITCH BOX.....	62
SWITCH BOX SCHEMATIC.....	63
NOTES 1.....	64
FIRE SUPPRESSION SYSTEM.....	65
FIRE SUPPRESSION 3-POINT MOUNT.....	66

COMMON SIDE ROTARY

# PART NAME INDEX

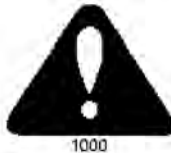
FIRE SUPPRESSION FRONT MOUNT.....	68
FIRE SUPPRESSION SYSTEM ELECTRICAL SCHEMATIC.....	70
WETCUT.....	71
WETCUT 50 GALLON TANK - 3PNT MOUNT.....	72
WETCUT 100 OR 150 GALLON TANK - 3PNT MOUNT.....	73
WETCUT 3PNT PLUMBING - 50IN MOWERS.....	74
WETCUT 3PNT PLUMBING - LARGE MOWERS.....	76
WETCUT FRONT PLUMBING - 50IN MOWERS.....	78
WETCUT FRONT PLUMBING - LARGE MOWERS.....	80
WETCUT 50IN SPRAYER HEAD ASSEMBLY.....	82
WETCUT 60IN SPRAYER HEAD ASSEMBLY.....	84
WETCUT CABLES.....	86

## PARTS ORDERING GUIDE

The following instructions are offered to help eliminate needless delay and error in processing purchase orders for the equipment in this manual.

1. The Parts Section is prepared in logical sequence and grouping of parts that belong to the basic machine featured in this manual. Part Numbers and Descriptions are given to help locate the parts and quantities required.
2. The Purchase Order must indicate the **Name and Address** of the person or organization ordering the parts, **who should be charged**, and if possible, the **serial number of the machine** for which the parts are being ordered.
3. The purchase order must clearly list the **quantity of each part**, the complete and correct **part number**, and the basic **name of the part**.
4. The manufacturer reserves the right to substitute parts where applicable.
5. Some parts may be unlisted items which are special production items not normally stocked and are subject to special handling. Request a quotation for such parts before sending a purchase order.
6. The manufacturer reserves the right to change prices without prior notice.

NOTE: When ordering replacement decals, refer to the part numbers and descriptions listed in the safety section in the front of this manual.

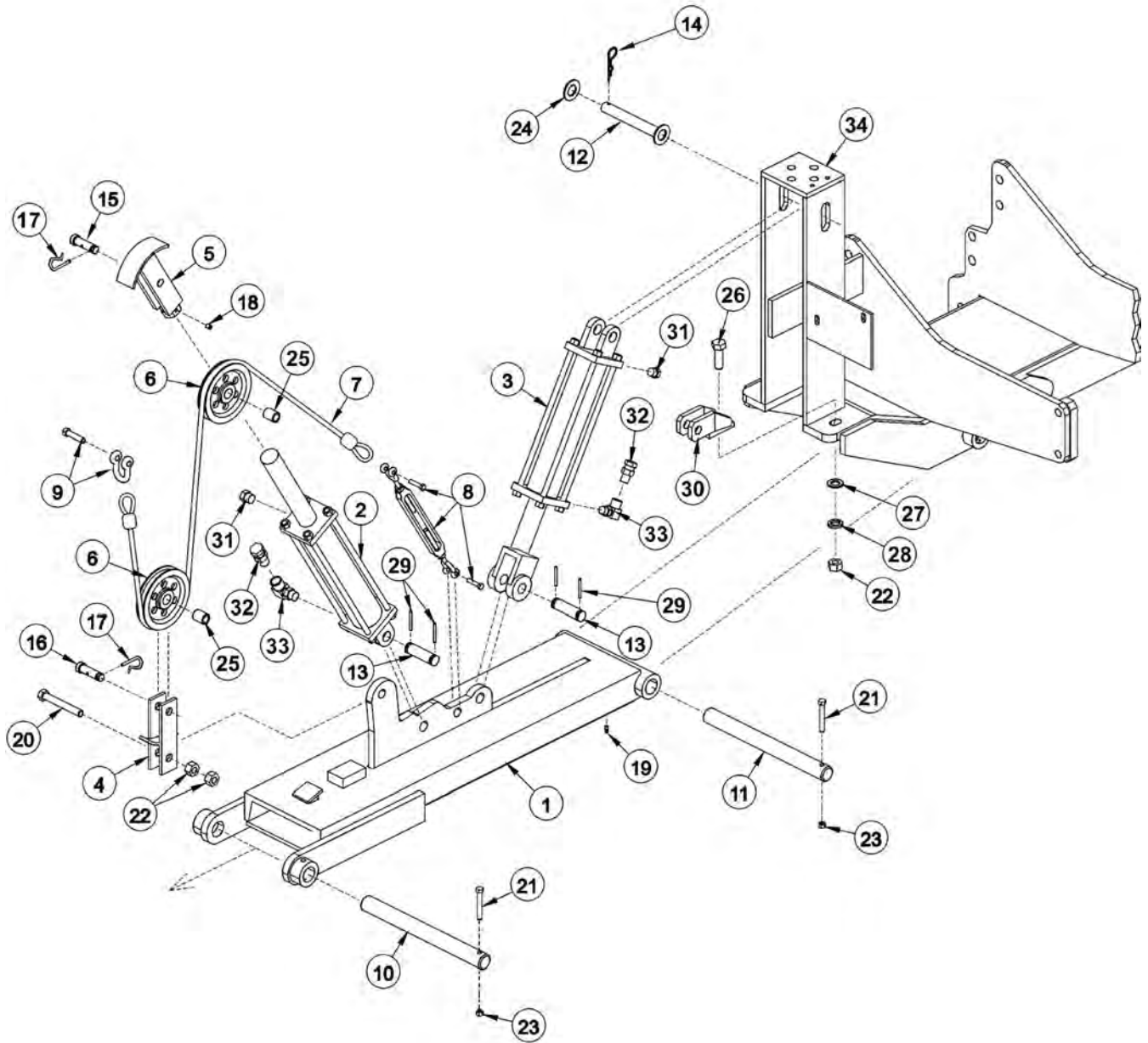


For maximum safety and to guarantee optimum product reliability, always use genuine **Tiger** replacement parts. The use of inferior replacement parts may cause premature or catastrophic failure which could result in serious injury or death.

Direct any questions regarding parts to:

**Tiger Corporation**  
3301 N. Louise Ave.  
Sioux Falls, SD 57107  
1-800-843-6849  
1-605-336-7900

# CABLE DRAFT BEAM ASSEMBLY



COMMON SIDE ROTARY

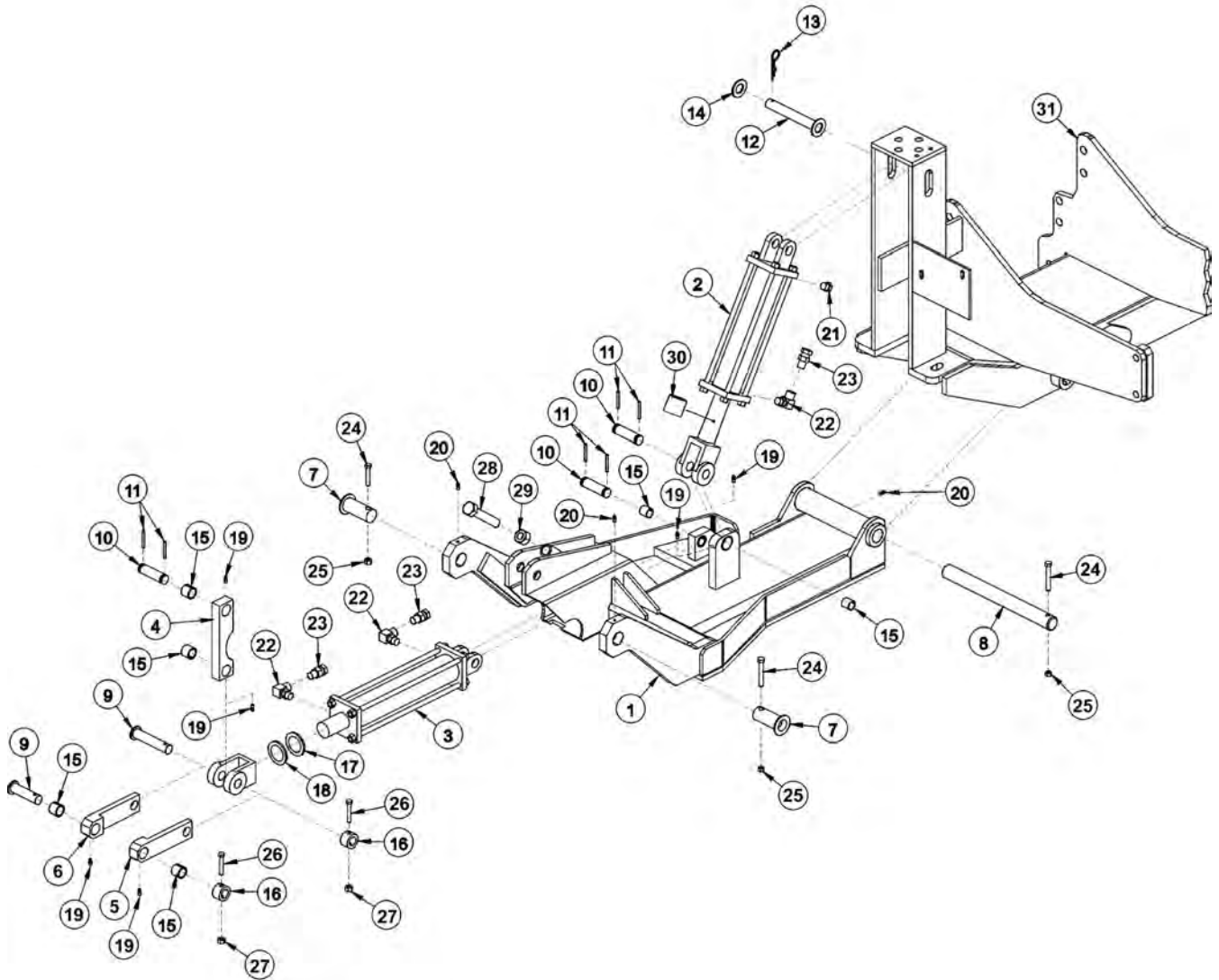
## CABLE DRAFT BEAM ASSEMBLY

Continued...

ITEM	PART NO.	QTY.	DESCRIPTION
1	6T0105	-	DRAFT BEAM (STD WITH TRAVEL LOCK)
-----	27241	-	DRAFT BEAM (EXTENDED 6")
2	6T0150	1	CYLINDER 3" X 18"
3	6T0151R	1	HYD. CYLINDER 3" X 10"
4	6T0100	1	LOWER SHEAVE BRACKET
5	6T0101	1	UPPER SHEAVE BRACKET
6	33768	2	SHEAVE
7	6T0110	1	LIFT CABLE (STD 1/2" X 87 1/2")
-----	6T0110E	-	LIFT CABLE (EXTENDED 6")
8	6T0115	1	TURN BUCKLE
9	6T0112	1	SHACKLE WITH PIN
10	6T2999	1	OUTER DRAFT BEAM PIN 1 1/2" X 14 1/2"
11	6T3001	1	INNER DRAFT BEAM PIN 1 1/2" X 15 3/4"
12	6T3005	1	CYLINDER PIN 1" X 6 5/8"
13	TB1033	2	CLEVIS PIN 1" X 4"
14	6T3004	1	R - CLIP 3/16"
15	6T3010	1	UPPER SHEAVE PIN WITH ZERK 3/4" X 3"
16	6T3009	1	LOWER SHEAVE PIN WITH ZERK 3/4" X 2 1/2"
17	6T3020	2	R - CLIP 5/32"
18	6T2272	1	SET SCREW 3/8" X 1/2"
19	6T3211	1	GREASE ZERK 1/8" STRAIGHT
20	21837	1	CAPSCREW 3/4" X 3 1/4"
21	21688	2	CAPSCREW 7/16" X 3 1/4"
22	21825	2	HEX NUT 3/4"
23	21677	2	NYLOCK NUT 7/16"
24	22023	1	FLAT WASHER 1"
25	6T0104N	2	SHEAVE PIN BUSHING 1" OD X 3/4" ID
26	21833	1	CAPSCREW 3/4" X 2 1/4"
27	22021	1	FLAT WASHER 3/4"
28	21993	1	LOCK WASHER 3/4"
29	06537021	4	ROLL PIN
30	6T0106	1	TRAVEL LOCK BRACKET
31	6T4258	2	BREATHER 1/2"
32	34396	2	RESTRICTOR
33	34244	2	ELBOW FITTING 1/2"
34	-----	-	MAIN FRAME *REFER TO TRACTOR PARTS SECTION

COMMON SIDE ROTARY

# COMBO DRAFT BEAM ASSEMBLY



## NOTES:

1. ITEM 30 IS USED ON THE GLAND END OF ITEM 2 (AS NEEDED)
2. ORIENTATION OF ITEMS 4,5 & 6 ARE CRITICAL

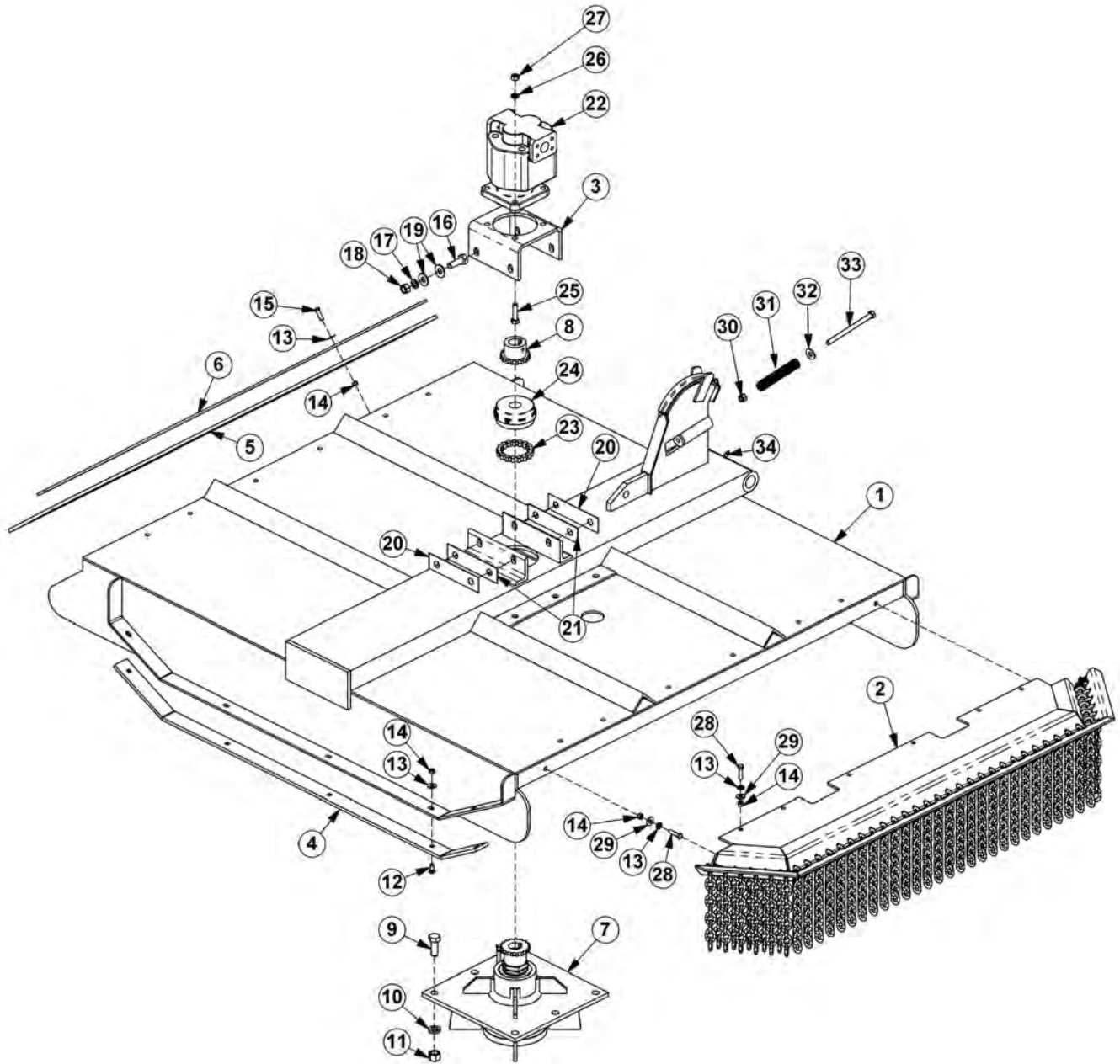
## COMBO DRAFT BEAM ASSEMBLY

Continued...

ITEM	PART NO.	QTY.	DESCRIPTION
1	06350001	1	COMBO DRAFT BEAM - STD DTY ROTARY
---	31063	-	COMBO DRAFT BEAM - HVY DTY ROTARY
2	6T0151R	1	HYD. CYLINDER 3" X 10"
3	32215	1	HYD. CYLINDER 3" X 12" - STD DTY
---	25343	-	HYD. CYLINDER 3" X 12" - HVY DTY
4	TF4500A	1	PIVOT ARM
5	TF4507B	1	RIGHT LINKAGE ARM
6	TF4506B	1	LEFT LINKAGE ARM
7	30126B	2	PIN, HEAD PIVOT - STD DTY
---	TF4514A	-	PIN, HEAD PIVOT - HVY DTY
8	6T3001	1	PIN, BEAM PIVOT
9	TF4519	2	PIN, LINKAGE
10	TB1033	3	PIN, CLEVIS
11	06537021	6	ROLLPIN
12	6T3005	1	PIN, 1" W/ CAP
13	6T3004	1	R-CLIP HAIRPIN
14	6T2614	1	FLATWASHER 1"
15	TB3010	8	BUSHING 1"
16	22847	2	BOSS, LINKAGE PIN
17	22076	1	SPACER, HYD. CYLINDER 1/4"
18	22077	1	SPACER, HYD. CYLINDER 5/16"
19	6T3207	6	GREASE ZERK 1/4"
20	6T3211	3	GREASE ZERK 1/8"
21	6T4258	1	BREATHER 1/2"
22	34244	3	ELBOW FITTING 1/2"
23	34396	3	SWIVEL RESTRICTOR
24	21688	3	CAPSCREW 7/16" X 3 1/4"
25	21677	3	NYLOCK NUT 7/16"
26	21635	2	CAPSCREW 3/8" X 2 1/4"
27	21625	2	HEX NUT 3/8"
28	21831	1	CAPSCREW 3/4" X 1 3/4"
29	21825	1	HEX NUT 3/4"
30	06700095	1	CYLINDER SPACER W/SET SCREW
31	-----	-	MAIN FRAME *REFER TO TRACTOR MOUNT PAGE

COMMON SIDE ROTARY

# 60IN SIDE CABLE TM ROTARY MOWER



COMMON SIDE ROTARY



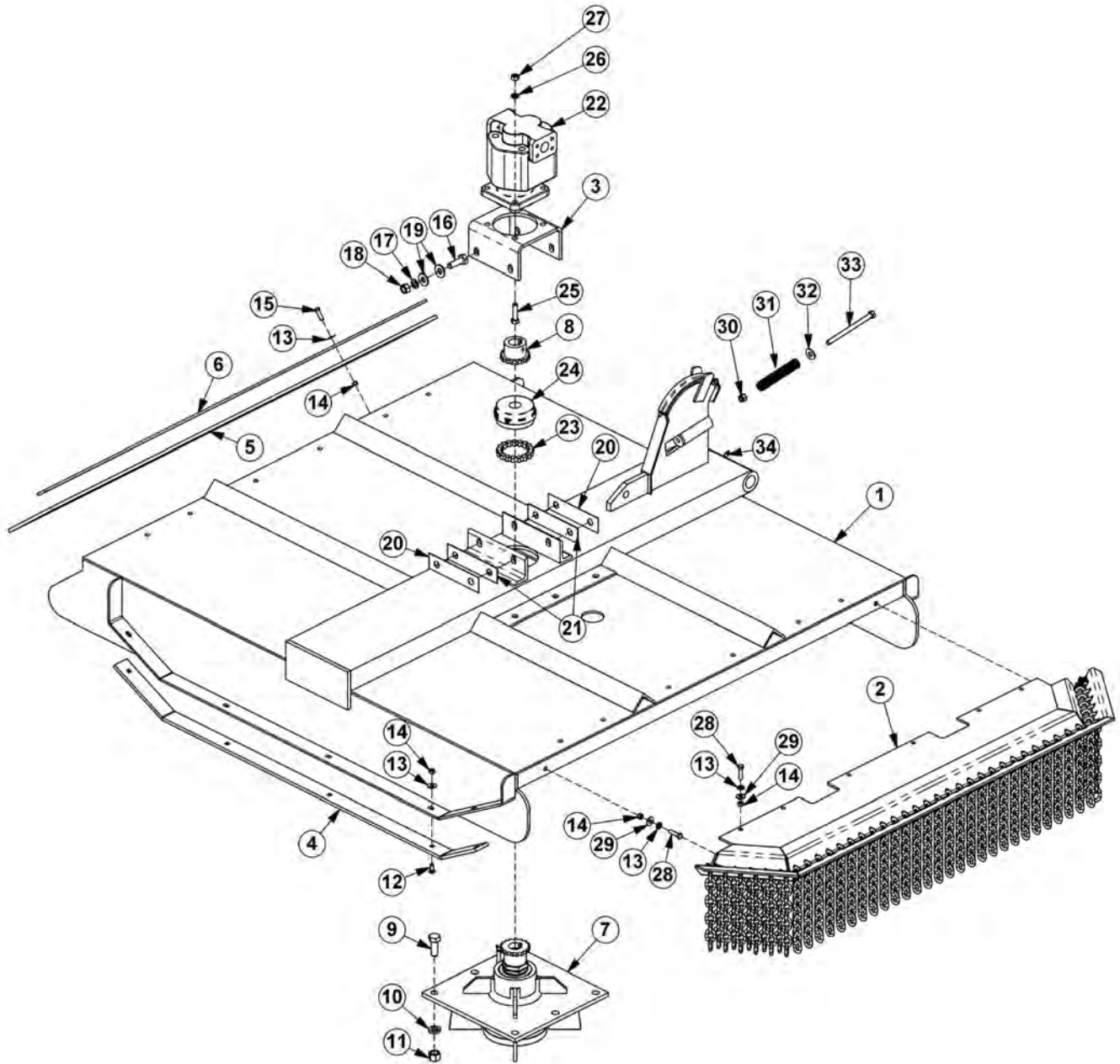
## 60IN SIDE CABLE TM ROTARY MOWER

Continued...

ITEM	PART NO.	QTY.	DESCRIPTION
1	32099	1	RTRY, 60" DECK, CABLE
2	31773	1	GAURD,CHAIN,FRONT,SR60
3	6T1001	1	BRKT, MOTOR MTG, 60"SIDE RTRY
4	6T0820H	2	SKID SHOE, TM60
5	22592	1	FLAP, DEFLECTOR, TM60
6	6T0823	1	BAR, FLAP, TM60
7	6T1024H5	1	SPINDLE ASSY,CPLT,HD,5/8" HOLES
8	21223	1	SPROCKET, 1-1/4" BORE
9	6T2277	6	CAPSCREW,3/4" X 2",NF
10	21993	6	LOCKWASHER,3/4",GR 8
11	6T2413	6	HEX NUT,3/4",NF,GR 8
12	6T2270	10	PLOW BOLT,3/8" X 1",NC
13	22016	29	FLATWASHER,3/8"
14	21625	29	HEX NUT,3/8",NC
15	21631	11	CAPSCREW, 3/8" X 1-1/4",NC
16	21783	4	CAPSCREW, 5/8" X 2",NC
17	21992	4	LOCKWASHER, 5/8"
18	21775	4	HEX NUT, 5/8"
19	25270	8	FLATWASHER,5/8",GR 8
20	6T0822	2	SHIM, MOTOR MOUNT, 14GA. (AS NEEDED)
21	6T0822A	2	SHIM, MOTOR MOUNT, 18 GA. (AS NEEDED)
22	06504011	1	MOTOR,(M365-2 1/4" GEAR)
23	6T1029	1	CHAIN, COUPLING
24	6T1033	1	COVER, COUPLING
25	21733	4	CAPSCREW, 1/2" X 2",NC
26	21990	4	LOCKWASHER,1/2"
27	21725	4	HEX NUT, 1/2",NC
28	21632	8	CAPSCREW,3/8" X 1-1/2",NC
29	21988	8	LOCKWASHER,3/8"
30	21727	1	NYLOCK NUT,1/2",NC
31	27005	1	SPRING,PUSHOFF,SIDE RTRY
32	22018	1	FLATWASHER,1/2",WIDE
33	21745	1	CAPSCREW,1/2" X 7",NC
34	6T3211	1	GREASE ZERK

COMMON SIDE ROTARY

# 72IN SIDE CABLE TM ROTARY MOWER



COMMON SIDE ROTARY

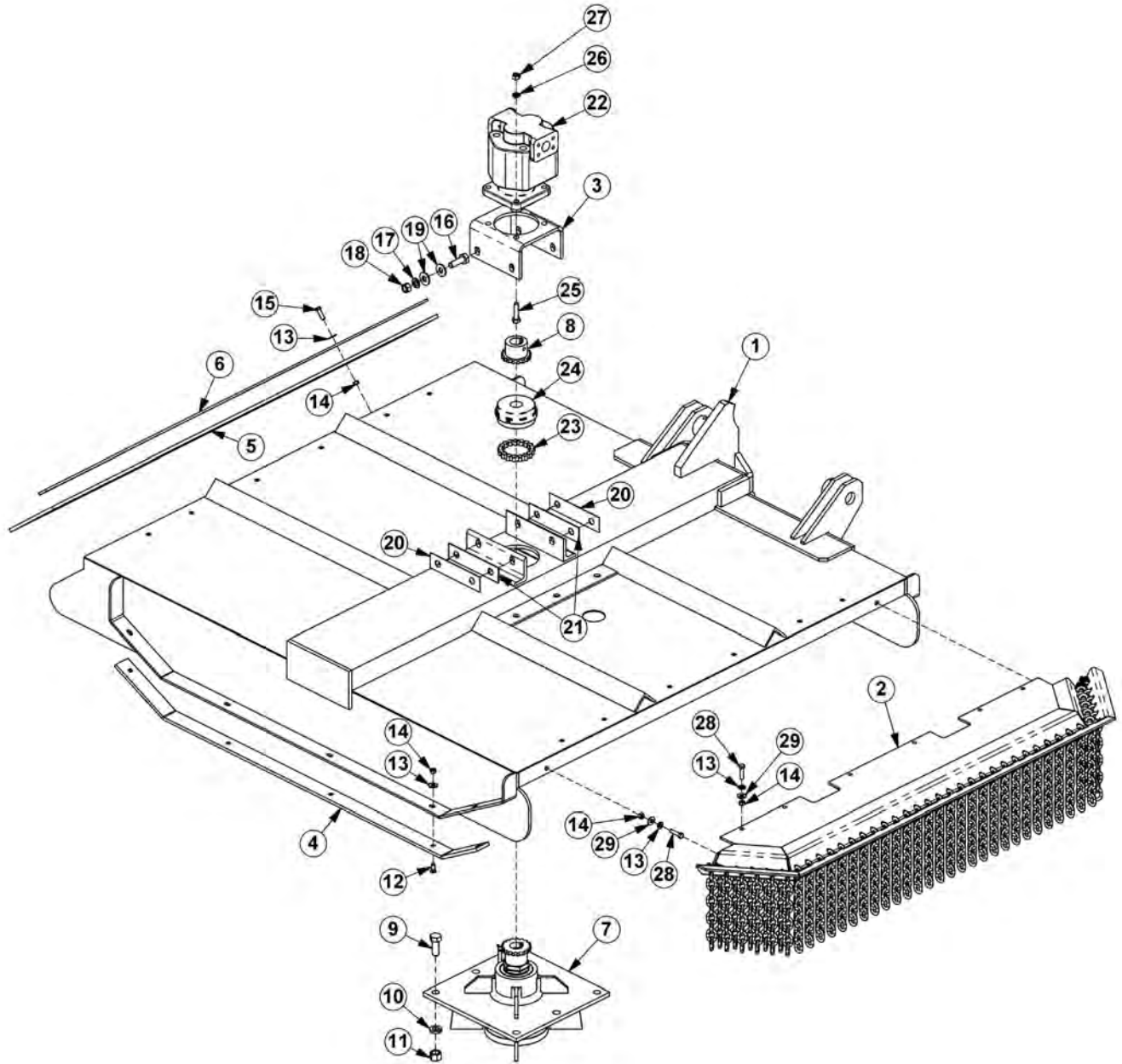
## 72IN SIDE CABLE TM ROTARY MOWER

Continued...

ITEM	PART NO.	QTY.	DESCRIPTION
1	21225B	1	RTRY,72" DECK, CABLE
2	31931	1	GUARD,CHAIN,FRONT,SR72
3	6T1001	1	BRKT, MOTOR MTG, 60"SIDE RTRY
4	21248	2	SKID SHOE, TM72
5	21295B	1	FLAP, DEFLECTOR, TM72
6	21242A	1	BAR, FLAP, TM72
7	6T1024H5	1	SPINDLE ASSY,CPLT,HD,5/8" HOLES
8	21223	1	SPROCKET, 1-1/4" BORE
9	6T2277	6	CAPSCREW,3/4" X 2",NF
10	21993	6	LOCKWASHER,3/4",GR 8
11	6T2413	6	HEX NUT,3/4",NF,GR 8
12	6T2270	10	PLOW BOLT,3/8" X 1",NC
13	22016	29	FLATWASHER,3/8"
14	21625	29	HEX NUT,3/8",NC
15	21631	11	CAPSCREW, 3/8" X 1-1/4",NC
16	21783	4	CAPSCREW, 5/8" X 2",NC
17	21992	4	LOCKWASHER, 5/8"
18	21775	4	HEX NUT, 5/8"
19	25270	8	FLATWASHER,5/8",GR 8
20	6T0822	2	SHIM, MOTOR MOUNT, 14GA. (AS NEEDED)
21	6T0822A	2	SHIM, MOTOR MOUNT, 18 GA. (AS NEEDED)
22	06504011	1	MOTOR,(M365-2 1/4" GEAR)
23	6T1029	1	CHAIN, COUPLING
24	6T1033	1	COVER, COUPLING
25	21733	4	CAPSCREW, 1/2" X 2",NC
26	21990	4	LOCKWASHER,1/2"
27	21725	4	HEX NUT, 1/2",NC
28	21632	8	CAPSCREW,3/8" X 1-1/2",NC
29	21988	8	LOCKWASHER,3/8"
30	21727	1	NYLOCK NUT,1/2",NC
31	27005	1	SPRING,PUSHOFF,SIDE RTRY
32	22018	1	FLATWASHER,1/2",WIDE
33	21745	1	CAPSCREW,1/2" X 7",NC
34	6T3211	1	GREASE ZERK

COMMON SIDE ROTARY

# 60IN SIDE COMBO TM ROTARY MOWER



COMMON SIDE ROTARY

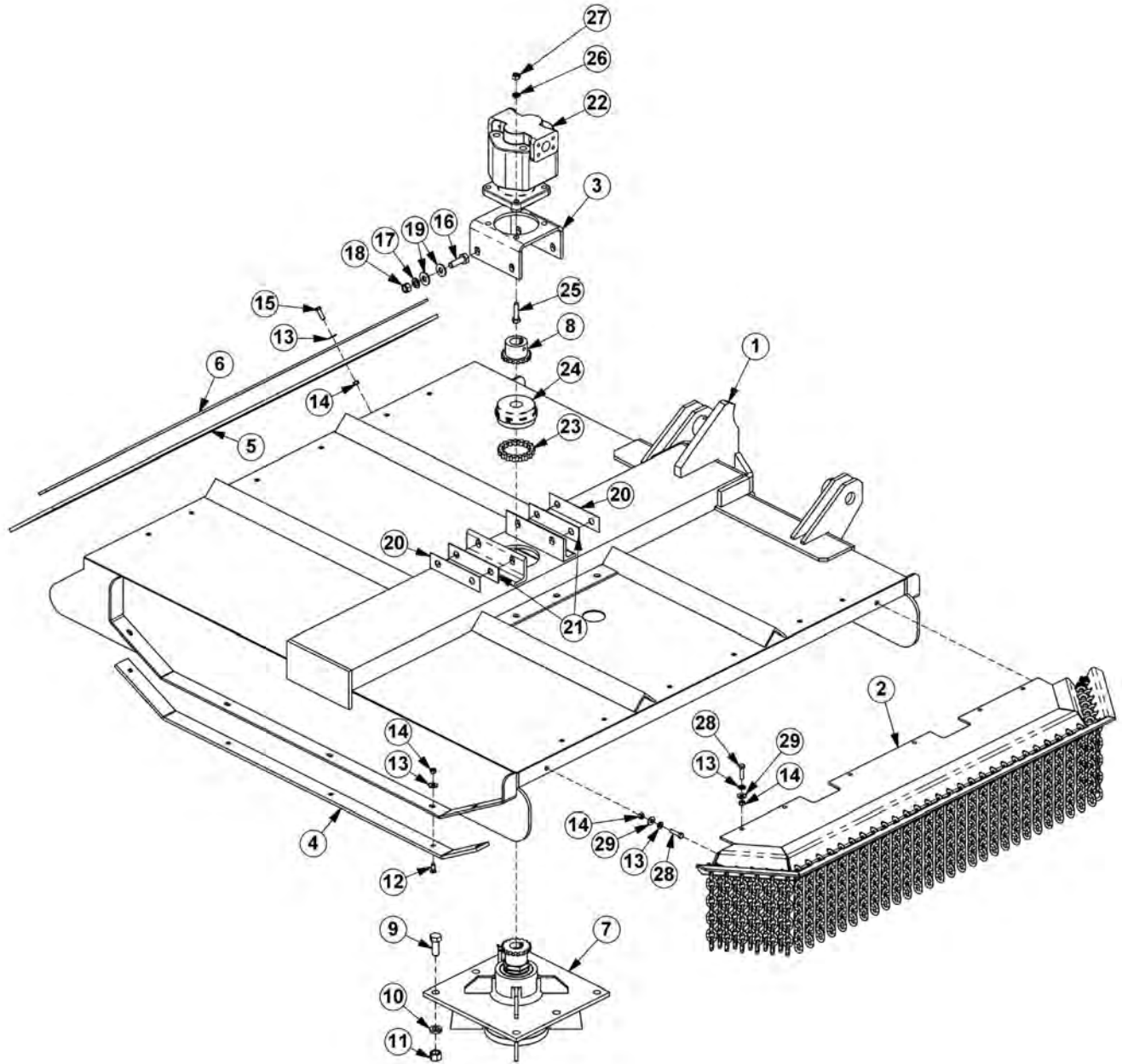
## 60IN SIDE COMBO TM ROTARY MOWER

Continued...

ITEM	PART NO.	QTY.	DESCRIPTION
1	30087D	1	RTRY, 60" DECK, COMBO - STD DUTY
---	32617	1	RTRY, 60" DECK, COMBO - HEAVY DUTY
2	31773	1	GUARD,CHAIN,FRONT,SR60
3	6T1001	1	BRKT, MOTOR MTG, 60"SIDE RTRY
4	6T0820H	2	SKID SHOE, TM60
5	22592	1	FLAP, DEFLECTOR, TM60
6	6T0823	1	BAR, FLAP, TM60
7	6T1024H5	1	SPINDLE ASSY,CPLT,HD,5/8" HOLES
8	21223	1	SPROCKET, 1-1/4" BORE
9	6T2277	6	CAPSCREW,3/4" X 2",NF
10	21993	6	LOCKWASHER,3/4",GR 8
11	6T2413	6	HEX NUT,3/4",NF,GR 8
12	6T2270	10	PLOW BOLT,3/8" X 1",NC
13	22016	29	FLATWASHER,3/8"
14	21625	29	HEX NUT,3/8",NC
15	21631	11	CAPSCREW, 3/8" X 1-1/4",NC
16	21783	4	CAPSCREW, 5/8" X 2",NC
17	21992	4	LOCKWASHER, 5/8"
18	21775	4	HEX NUT, 5/8"
19	25270	8	FLATWASHER,5/8",GR 8
20	6T0822	2	SHIM, MOTOR MOUNT, 14GA. (AS NEEDED)
21	6T0822A	2	SHIM, MOTOR MOUNT, 18 GA. (AS NEEDED)
22	06504011	1	MOTOR,(M365-2 1/4" GEAR)
23	6T1029	1	CHAIN, COUPLING
24	6T1033	1	COVER, COUPLING
25	21733	4	CAPSCREW, 1/2" X 2",NC
26	21990	4	LOCKWASHER,1/2"
27	21725	4	HEX NUT, 1/2",NC
28	21632	8	CAPSCREW,3/8" X 1-1/2",NC
29	21988	8	LOCKWASHER,3/8"

COMMON SIDE ROTARY

# 72IN SIDE COMBO TM ROTARY MOWER



COMMON SIDE ROTARY

## 72IN SIDE COMBO TM ROTARY MOWER

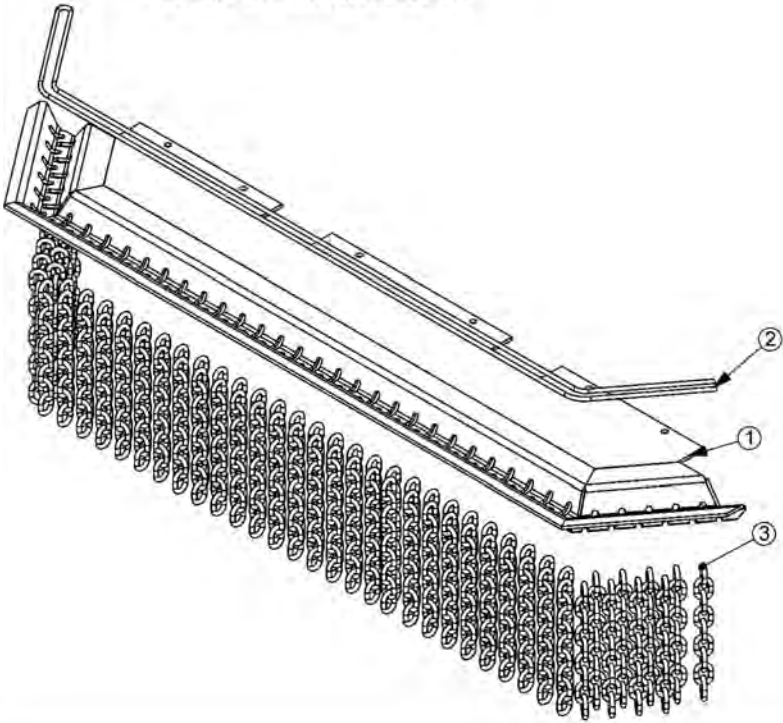
Continued...

ITEM	PART NO.	QTY.	DESCRIPTION
1	34260	1	RTRY, 72" DECK, COMBO - STD DUTY
---	31408A	1	RTRY, 72" DECK, COMBO - HEAVY DUTY
2	31931	1	GUARD,CHAIN,FRONT,SR72
3	6T1001	1	BRKT, MOTOR MTG, 60"SIDE RTRY
4	21248	2	SKID SHOE, TM72
5	21295B	1	FLAP, DEFLECTOR, TM72
6	21242A	1	BAR, FLAP, TM72
7	6T1024H5	1	SPINDLE ASSY,CPLT,HD,5/8" HOLES
8	21223	1	SPROCKET, 1-1/4" BORE
9	6T2277	6	CAPSCREW,3/4" X 2",NF
10	21993	6	LOCKWASHER,3/4",GR 8
11	6T2413	6	HEX NUT,3/4",NF,GR 8
12	6T2270	10	PLOW BOLT,3/8" X 1",NC
13	22016	29	FLATWASHER,3/8"
14	21625	29	HEX NUT,3/8",NC
15	21631	11	CAPSCREW, 3/8" X 1-1/4",NC
16	21783	4	CAPSCREW, 5/8" X 2",NC
17	21992	4	LOCKWASHER, 5/8"
18	21775	4	HEX NUT, 5/8"
19	25270	8	FLATWASHER,5/8",GR 8
20	6T0822	2	SHIM, MOTOR MOUNT, 14GA. (AS NEEDED)
21	6T0822A	2	SHIM, MOTOR MOUNT, 18 GA. (AS NEEDED)
22	06504011	1	MOTOR,(M365-2 1/4" GEAR)
23	6T1029	1	CHAIN, COUPLING
24	6T1033	1	COVER, COUPLING
25	21733	4	CAPSCREW, 1/2" X 2",NC
26	21990	4	LOCKWASHER,1/2"
27	21725	4	HEX NUT, 1/2",NC
28	21632	8	CAPSCREW,3/8" X 1-1/2",NC
29	21988	8	LOCKWASHER,3/8"

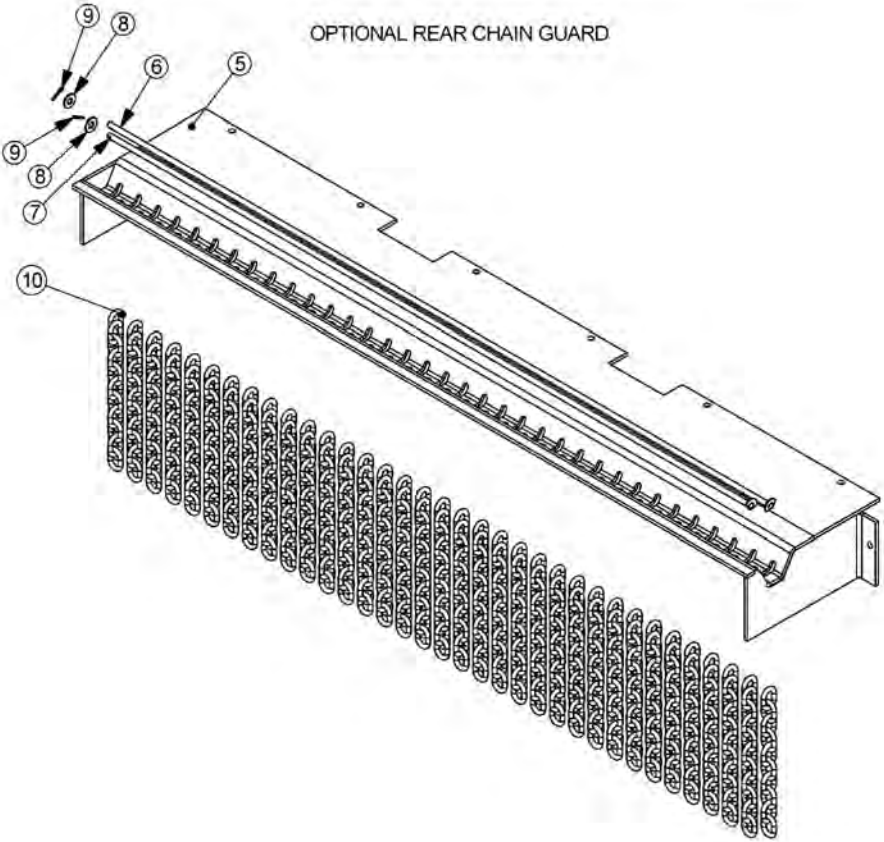
COMMON SIDE ROTARY

60IN SIDE TM CHAIN GUARDS

STANDARD FRONT CHAIN GUARD



OPTIONAL REAR CHAIN GUARD





## 60IN SIDE TM CHAIN GUARDS

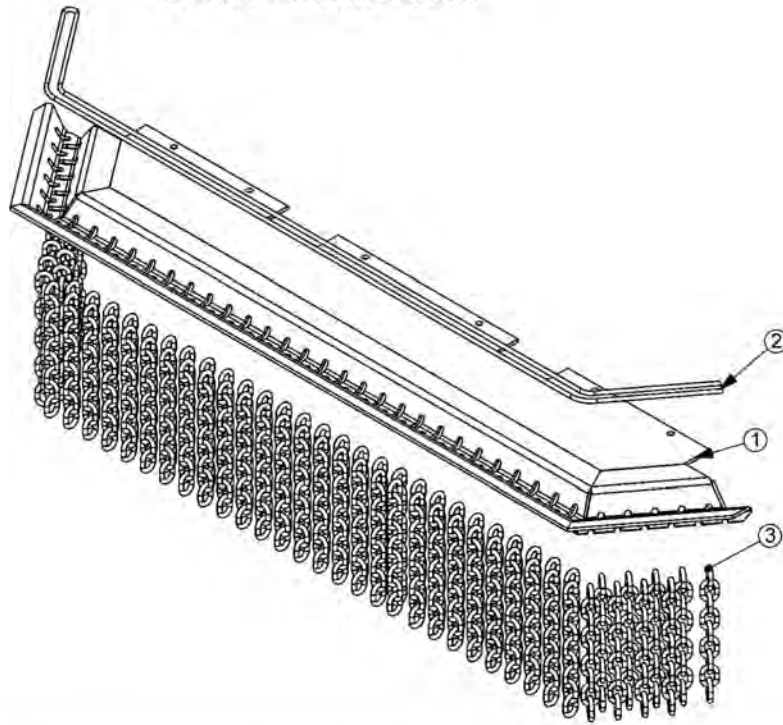
Continued...

ITEM	PART NO.	QTY.	DESCRIPTION
---	31773	-	GUARD,CHAIN,TM60,FRONT,ASSY
1	31762	1	GUARD,CHAIN,TM60,FRONT
2	28407	12	CABLE,5/16",BULK (QTY IN FEET)
3	22993	77	CHAIN,5/16",GR30,9 LINK
4	28408	4	U-BOLT,CABLE,5/16" (NOT SHOWN)
---	31774	-	GUARD,CHAIN,TM60,REAR,ASSY
5	31763	1	GUARD,CHAIN,TM60,REAR
6	31879	1	ROD,SHORT,TM60
7	31878	1	ROD,LONG,TM60
8	22016	2	FLATWASHER,3/8",GR8
9	6T3028	2	COTTER PIN,1/8" X 1"
10	22992	69	CHAIN,5/16",GR30,10 LINK

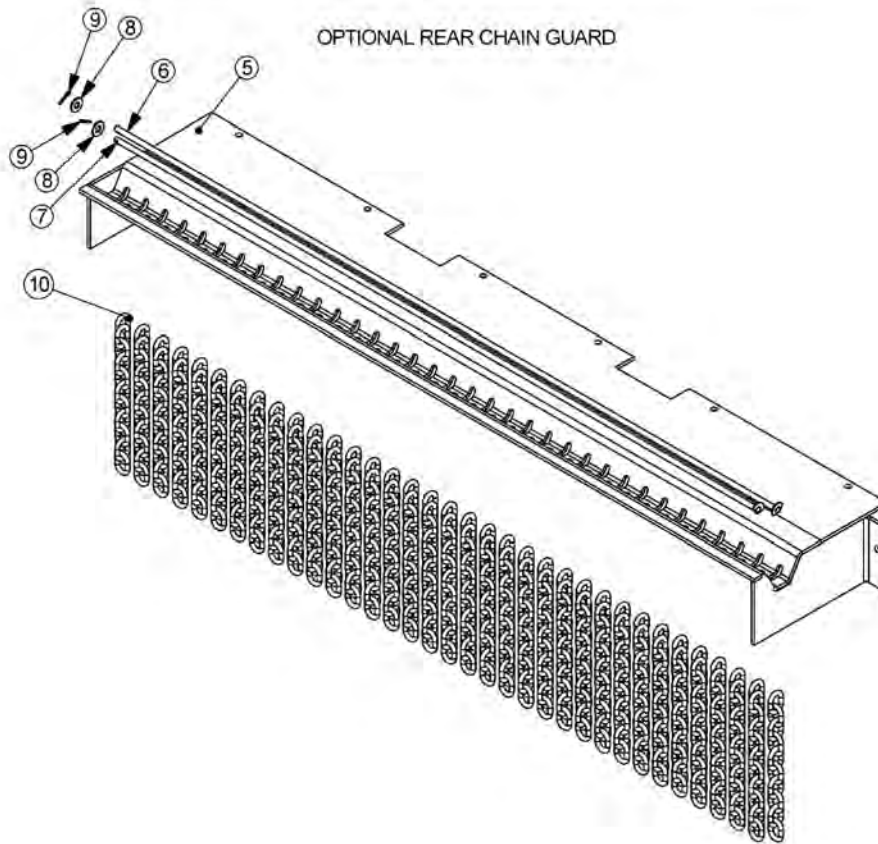
COMMON SIDE ROTARY

# 72IN SIDE TM CHAIN GUARDS

STANDARD FRONT CHAIN GUARD



OPTIONAL REAR CHAIN GUARD



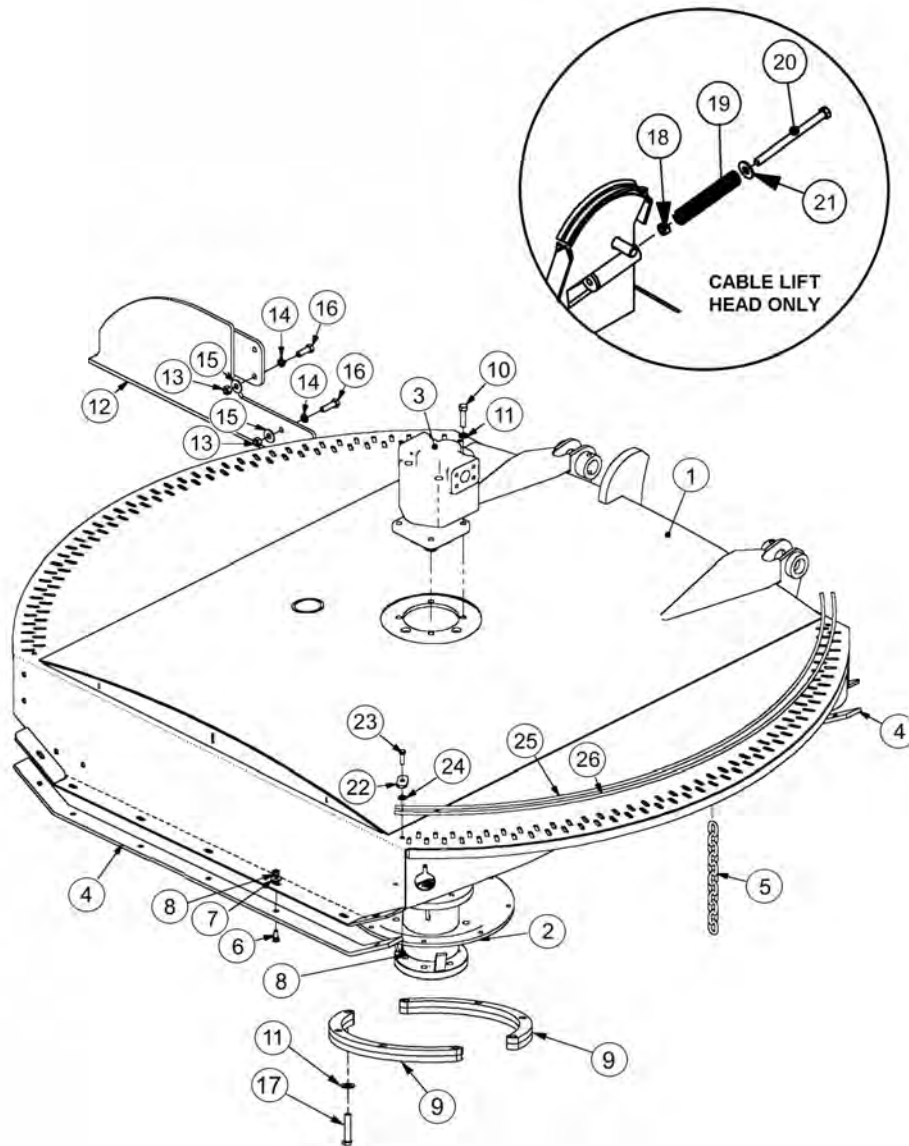
## 72IN SIDE TM CHAIN GUARDS

Continued...

ITEM	PART NO.	QTY.	DESCRIPTION
---	31931	-	GUARD,CHAIN,TM72,FRONT,ASSY
1	31863	1	GUARD,CHAIN,TM72,FRONT
2	28407	14	CABLE,5/16",BULK (QTY IN FEET)
3	22993	91	CHAIN,5/16",GR30,9 LINK
4	28408	4	U-BOLT,CABLE,5/16" (NOT SHOWN)
---	31932	-	GUARD,CHAIN,TM60,REAR,ASSY
5	31864	1	GUARD,CHAIN,TM60,REAR
6	31934	1	ROD,LONG,TM72
7	31933	1	ROD,SHORT,TM72
8	22016	2	FLATWASHER,3/8",GR8
9	6T3028	2	COTTER PIN,1/8" X 1"
10	22992	83	CHAIN,5/16",GR30,10 LINK

COMMON SIDE ROTARY

# 60IN SIDE TSR ROTARY MOWER



COMMON SIDE ROTARY

## 60IN SIDE TSR ROTARY MOWER

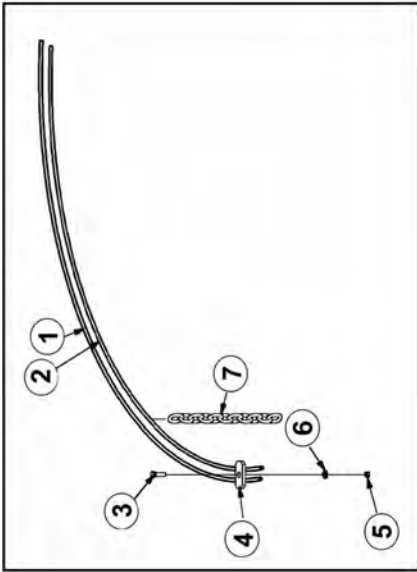
Continued...

ITEM	PART NO.	QTY.	DESCRIPTION
1	34975	1	HEAVY DUTY GRASSKAT COMBO
-----	06320005	1	STD DUTY GRASSKAT COMBO
-----	06320008	1	HEAVY DUTY GRASSKAT CABLE
2	34980	1	SPINDLE ASSY,TM 60"
3	06504016	1	CURRENT MOTOR,(M365-1 1/4" 14-SPLINE)
4	06410254	2	SKID,OUTBOARD,TM60
5	22992	156	CHAIN,10 LINK
6	6T2270	14	PLOW BOLT,3/8" X 1" NC
7	22016	26	FLATWASHER,3/8"
8	21625	30	HEX NUT,3/8",NC
9	06320011	2	SPACER,TSF,SPINDLE
10	6T1025	4	CAPSCREW, 1/2 X 2,GR 8,NC
11	06533004	12	FLATWASHER,1/2,SAE,GR 8
12	06370029	1	TIRE GUARD, LEFT
13	21725	8	HEX NUT, 1/2",NC
14	21990	8	LOCKWASHER, 1/2"
15	22018	8	FLATWASHER, 1/2",WIDE
16	21731	4	CAPSCREW, 1/2" X 1-1/2" NC
17	06530221	8	CAPSCREW,1/2 X 2-1/4,NF,GR8
18	21745	1	NYLOCK NUT, 1/2
19	21727	1	SPRING, PUSHOFF, SIDE RTRY
20	27005	1	CAPSCREW, 1/2 X 7,NC
21	22018	1	FLATWASHER,1/2",WIDE
22	34972	4	PLATE,CAP,CHAIN
23	21631	16	CAPSCREW, 3/8 X 1-1/4,NC
24	21988	16	LOCKWASHER, 3/8"
25	34974	2	ROD,CHAIN,INNER,TM60
26	34973	2	ROD,CHAIN,OUTER,TM60

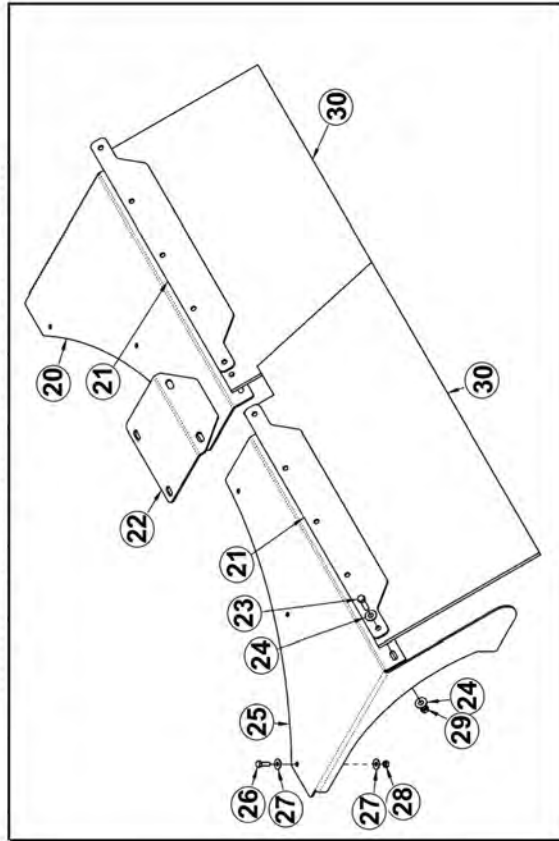
COMMON SIDE ROTARY

# 60IN SIDE TSR REAR GUARDS

OPTIONAL REAR CHAIN GUARD



STANDARD SQUARE REAR FLAP GUARD



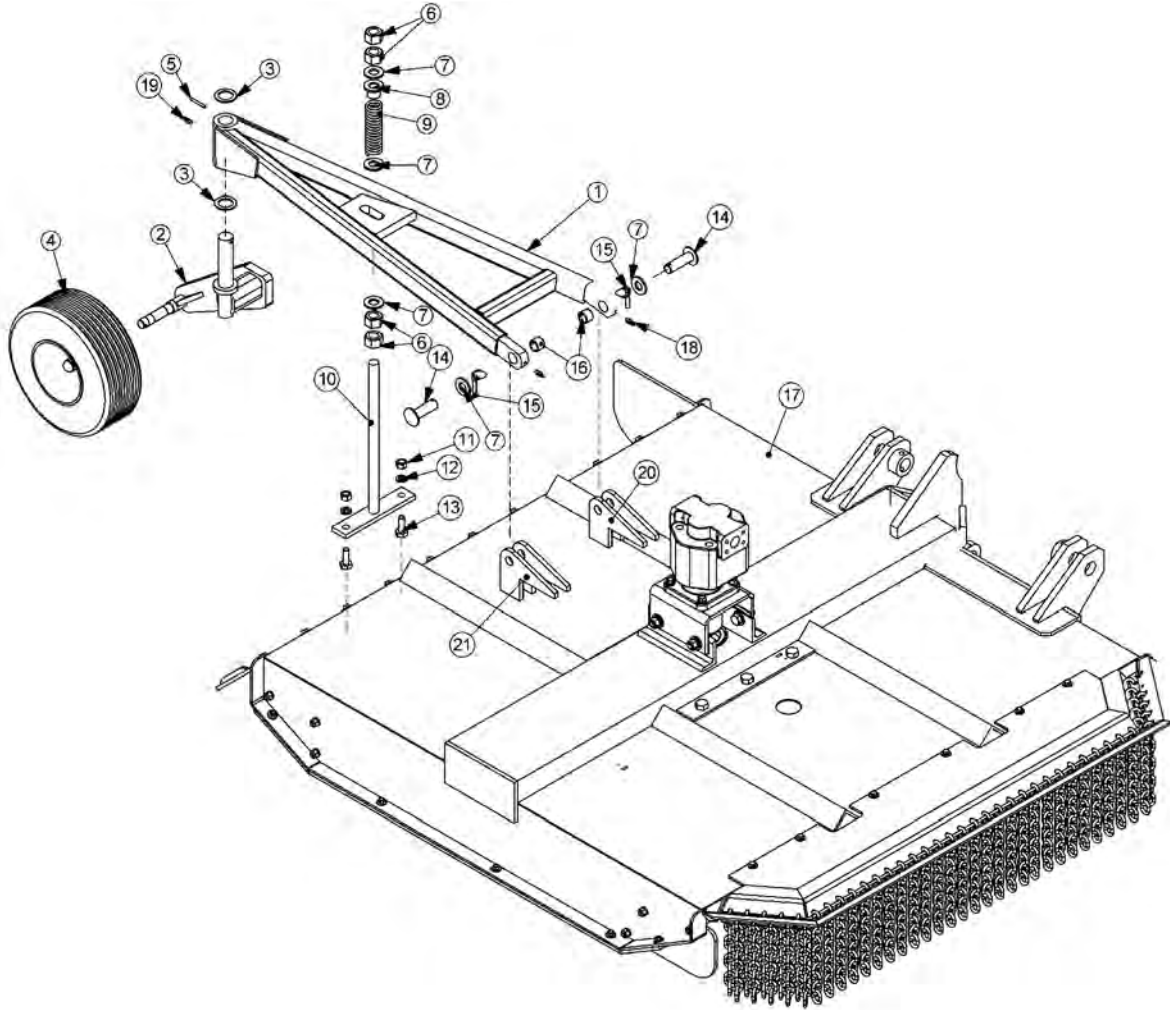
## 60IN SIDE TSR REAR GUARDS

Continued...

ITEM	PART NO.	QTY.	DESCRIPTION
1	34973	2	ROD,CHAIN,OUTER,TM60
2	34974	2	ROD,CHAIN,INNER,TM60
3	21631	16	CAPSCREW, 3/8 X 1-1/4,NC
4	34972	4	PLATE,CAP,CHAIN
5	21625	30	HEX NUT,3/8",NC
6	21988	16	LOCKWASHER, 3/8"
7	22992	156	CHAIN,10 LINK
20	06410947	1	MNT,FLAP,RH,EXT,TSR
21	06401184	2	STRAP,FLAP,EXT,TSR
22	06410948	1	COVER,FLAP,EXT,TSR
23	21632	10	CAPSCREW,3/8" X 1-1/2" NC
24	22016	20	FLATWASHER,3/8",GR8
25	06410946	1	MNT,FLAP,LH,EXT,TSR
26	21580	6	CAPSCREW,5/16 X 1 NC
27	22015	12	FLATWASHER,5/16
28	21577	6	NYLOCK NUT, 5/16,NC
29	21625	10	HEX NUT,3/8",NC
30	06520331	2	FLAP,EXT,TSR

COMMON SIDE ROTARY

# SIDE ROTARY CASTER WHEEL ASSEMBLY



COMMON SIDE ROTARY



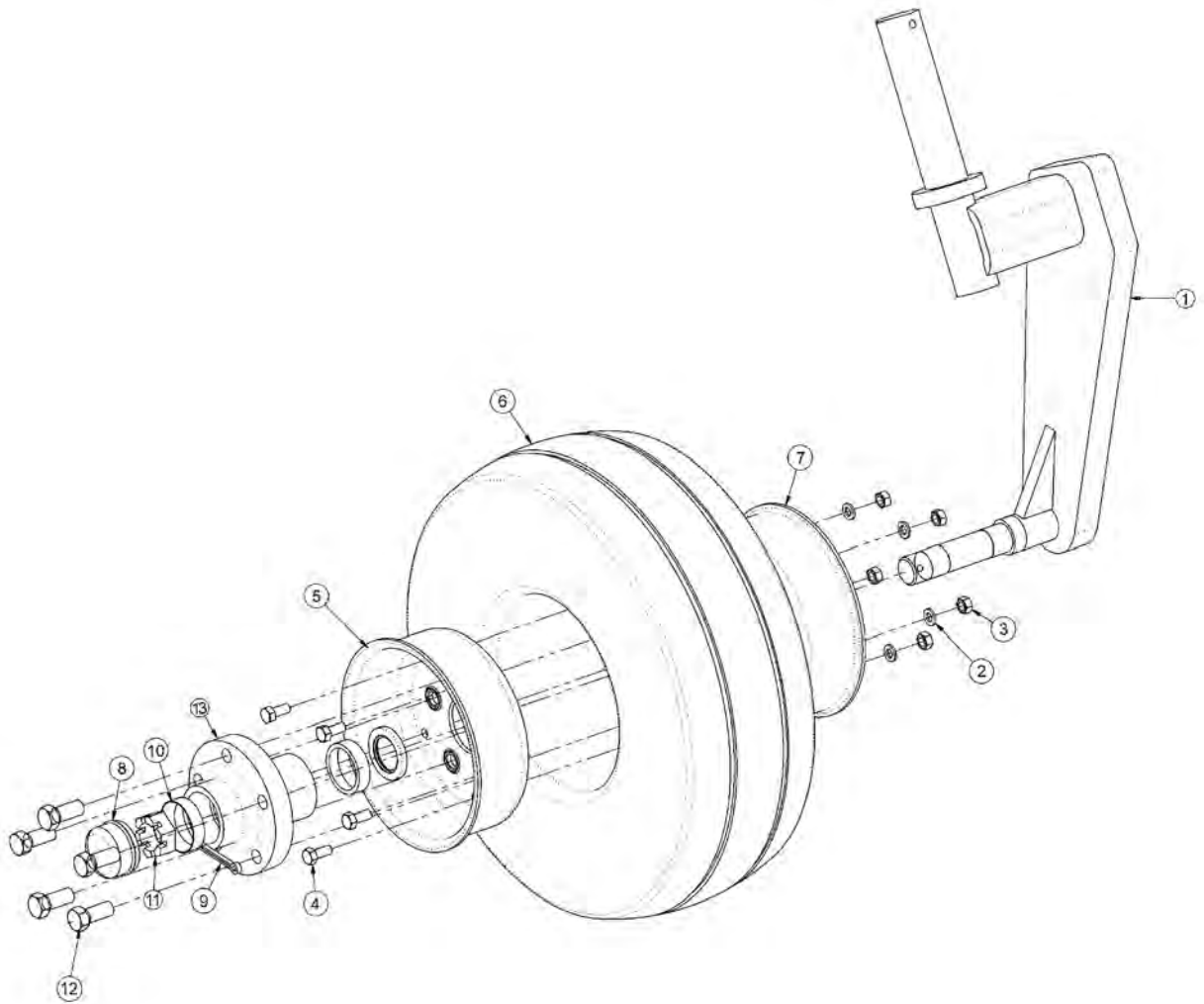
## SIDE ROTARY CASTER WHEEL ASSEMBLY

Continued...

ITEM	PART NO.	QTY.	DESCRIPTION
1	25214C	1	FRAME,CASTER,WHL (TM60)
---	28297A	-	FRAME,CASTER WHL (TM72)
2	22057	1	SPINDLE,CASTER AXLE,ASSY
3	6T2617	2	BUSHING,MACH,1-1/2IDX 2-1/4OD
4	28548	1	CASTER WHEEL,SOLID TIRE
---	22065	1	HUB,ASSY,CASTER
----	22066	1	HUB,CASTER
---	22070	1	DUST CAP
----	22071	5	HUB STUD
---	22073	1	HEX NUT,1",NF (SLOTTED)
----	22533	1	COTTER PIN,3/16" X 2"
---	6T0830	2	BEARING,CONE,CASTER WHEEL
----	6T0838	1	SEAL
---	23329	1	WHEEL,CPLT,SOLID TIRE
----	21416	1	TIRE,SOLID
---	22697	1	RIM,OUTER
----	22696	1	RIM,CASTER
5	6T3014	1	ROLL PIN,1/4" X 2"
6	21925	4	HEX NUT,1",NC
7	22023	5	FLATWASHER,1"
8	22753	1	TUBE,PROTECTOR
9	22058	1	SPRING,REAR RTRY
10	22059B	1	ADJ ROD,TRR
11	21775	2	HEX NUT,5/8"
12	21992	2	LOCKWASHER,5/8"
13	21782	2	CAPSCREW,5/8" X 1-3/4",NC
14	22060	2	CASTER FRAME PIN
15	TF1143	2	PIN,LYNCH,7/16" X 2"
16	TB3010	2	BUSHING,1"
17	-----	1	RTRY,CPLT,TM
18	6T3207	2	GREASE ZERK,1/4" X STR
19	6T3211	1	GREASE ZERK,1/8" X STR
20	21441	2	CASTER FRAME ANCHOR (TM60)
---	42527	2	CASTER FRAME ANCHOR (TM72)
21	21442	2	CASTER FRAME ANCHOR (TM60)
---	42527	2	CASTER FRAME ANCHOR (TM72)

COMMON SIDE ROTARY

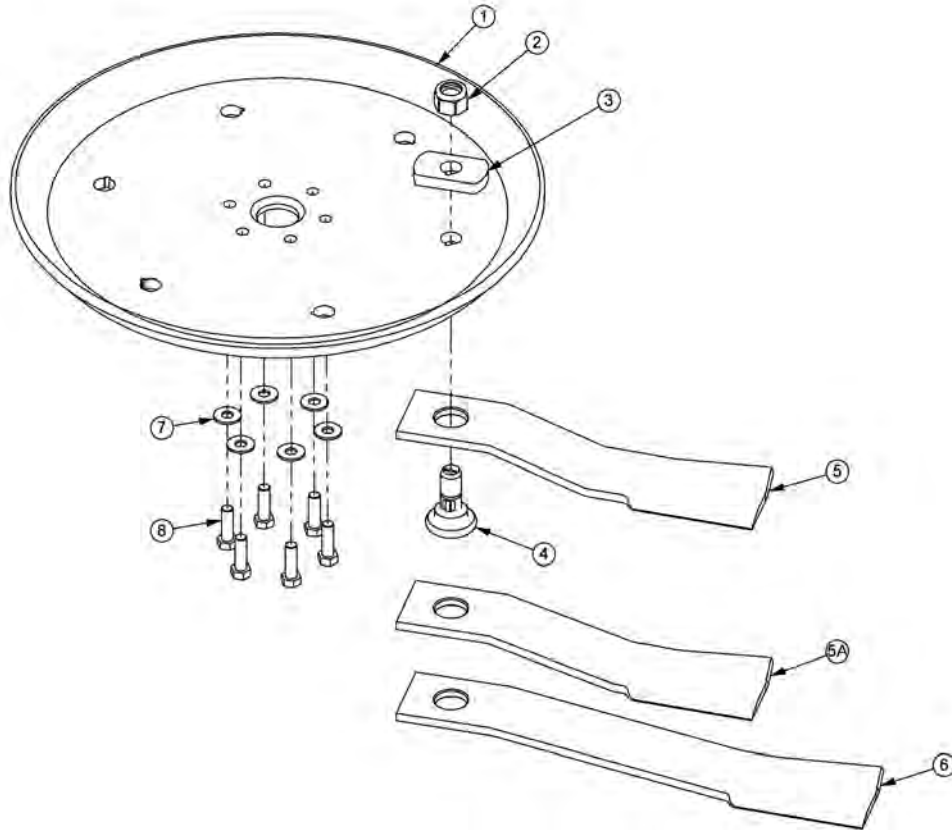
## CASTER WHEEL ASSEMBLY



ITEM	PART NO.	QTY.	DESCRIPTION
1	22057	1	SPINDLE,CASTER AXLE,ASSY
2	21987	5	LOCKWASHER,5/16"
3	21575	5	HEX NUT,5/16"
4	28548	5	CAPSCREW,5/16" X 3/4",NC
5	22697	1	RIM,OUTER,CASTER ASSY
6	21416	1	TIRE,SOLID
7	22696	1	RIM,CASTER WHEEL
8	22070	1	DUST CAP
9	22533	1	COTTER PIN,3/16" X 2"
10	6T0836	2	CUP,CASTER WHEEL
11	22073	1	HEX NUT,1",NF (SLOTTED JAM NUT)
12	22071	5	HUB STUD
13	22066	1	HUB,CASTER WHEEL

COMMON SIDE ROTARY

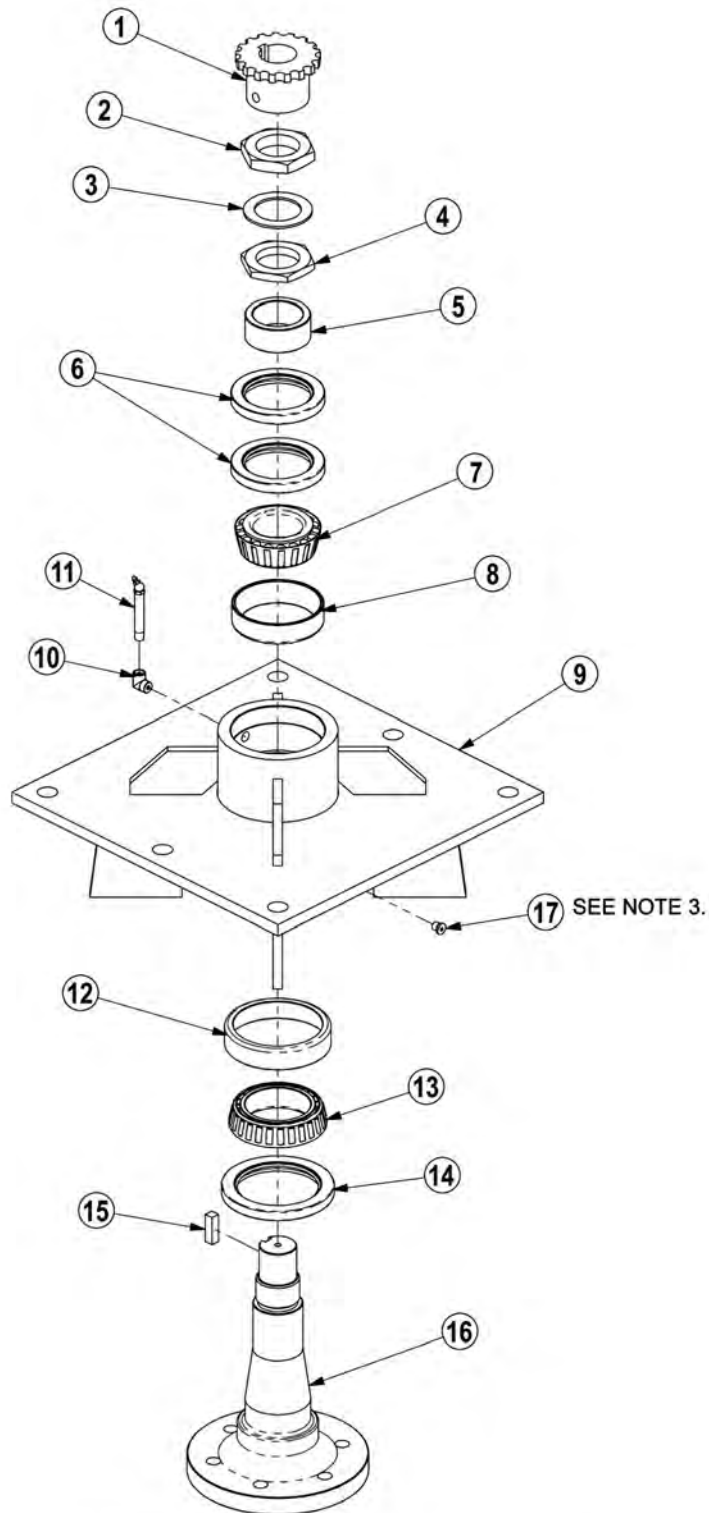
## ROTARY DISK AND KNIVES



ITEM	PART NO.	QTY.	DESCRIPTION
1	34876	1	BLADE MOUNTING DISK
2	6T1023R	2	NYLOCK NUT,1-1/8"
3	34878	2	SPACER
4	34497	2	KNIFE MOUNTING BOLT
5	34685	2	KNIFE,60" HIGH SUCTION - STANDARD
5A	34684	2	KNIFE,60" - OPTIONAL
6	34682	2	KNIFE 72" (MOUNT ON 72" MOWER ONLY)
7	25270	6	FLATWASHER,5/8",USS,GR8
8	6T2259	6	CAPSCREW,5/8" X 1-3/4",NF
----	6T1825	-	LOCTITE - USED ON ALL DISK MOUNTING BOLTS
---	27167	-	BOLT KIT (INCLUDE ITEMS 7 & 8)
----	06700002	-	KIT,60/72,DISK,KNF MTG (INCLUDE ITEM 1, 3,7 & 8)

COMMON SIDE ROTARY

# TM MOWER SPINDLE ASSEMBLY



## NOTES:

1. FREEPLAY: .001" - .003"
2. GREASE: FILL WITH MOBILITH SHC 220.
3. APPLY LOCTITE "271" TO O-RING PLUG THRDS.

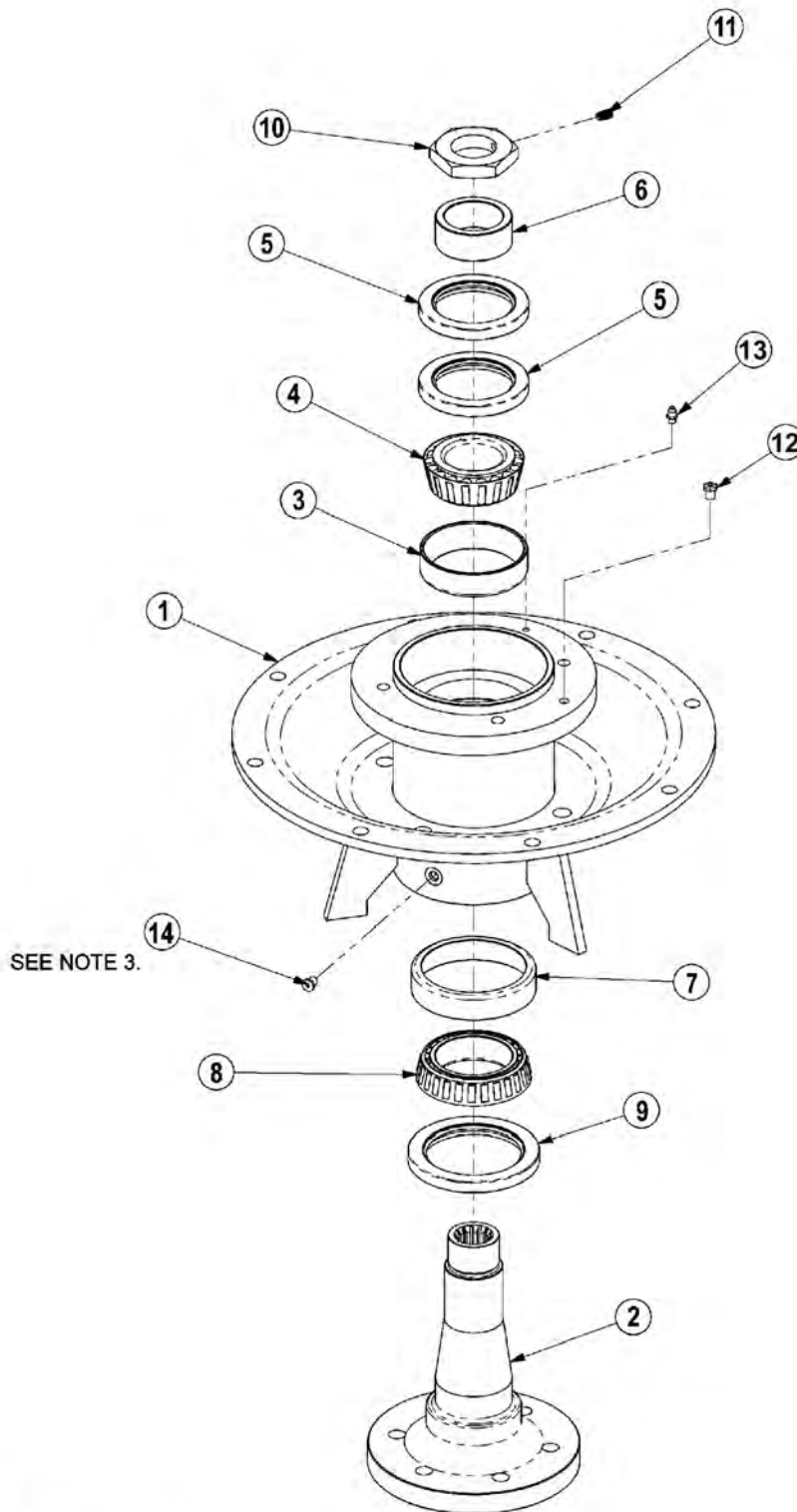
## TM MOWER SPINDLE ASSEMBLY

Continued...

ITEM	PART NO.	QTY.	DESCRIPTION
-----	6T1024H5	-	SPINDLE ASSEMBLY COMPLETE
1	6T1031	1	SPROCKET
2	6T1016	1	BEARING LOCK NUT - THICK
3	22596	1	JAM WASHER
4	6T1015	1	BEARING ADJUSTMENT NUT - THIN
5	6T1014	1	BEARING ADJUSTMENT SLEEVE
6	6T1011	1	UPPER SEAL - SET OF 2
7	6T1012	1	BEARING CONE
8	6T1013	1	BEARING CUP
9	6T1010H	1	SPINDLE HOUSING
10	30570	1	FITTING STREET ELBOW
11	33990	1	GREASE ZERK
12	6T1013H	1	BEARING CUP
13	6T1012H	1	BEARING CONE
14	6T1011H	1	LOWER SEAL
15	6T1019	1	SPINDLE KEY
16	PT1018H-5	1	SPINDLE
17	06503064	1	O-RING PLUG, 1/8"
-----	31771	-	SPINDLE REBUILD KIT (INCLUDES ITEMS 2 - 8 AND 12 - 15)

COMMON SIDE ROTARY

# TSR MOWER SPINDLE ASSEMBLY



**NOTES:**

1. FREEPLAY: .001" - .003"
2. GREASE: FILL WITH MOBILITH SHC 220.
3. APPLY LOCTITE "271" TO O-RING PLUG THRDS.

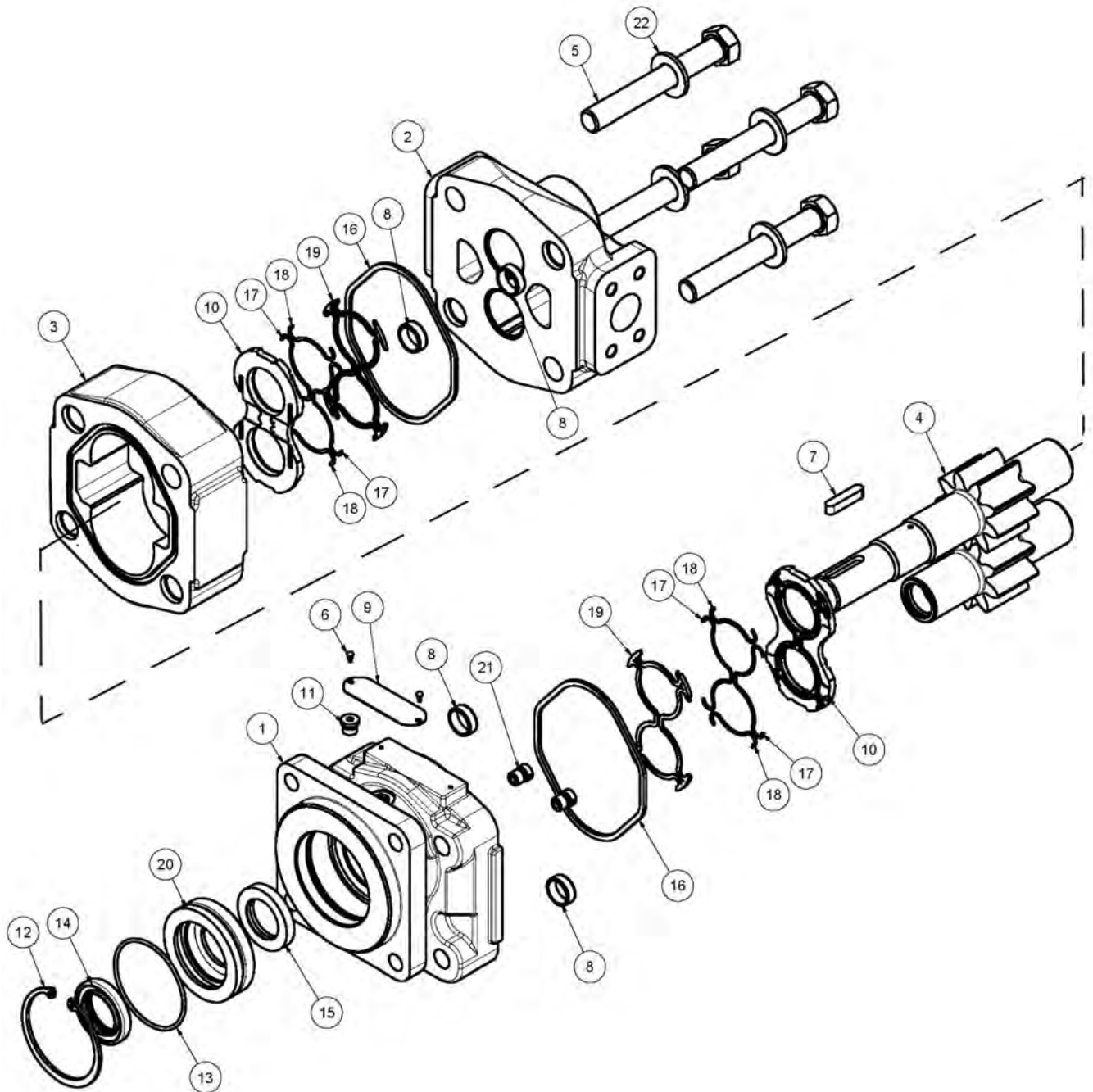
## TSR MOWER SPINDLE ASSEMBLY

Continued...

ITEM	PART NO.	QTY.	DESCRIPTION
-----	34980	-	SPINDLE ASSEMBLY COMPLETE
1	34978	1	SPINDLE MOUNT
2	34979	1	SPINDLE,TM60
3	6T1013	1	BEARING CUP
4	6T1012	1	BEARING CONE
5	6T1011	1	UPPER SEAL - SET OF 2
6	6T1014	1	BEARING ADJUSTMENT SLEEVE
7	6T1013H	1	BEARING,CUP,HD
8	6T1012H	1	BEARING CONE,HD
9	6T1011H	1	SEAL,LOWER,HD
10	34985	1	NUT W/SETSCREW
11	6T2275	1	SETSCREW,5/16" X 1/2",NC
12	34988	1	RELIEF,1PSI,1/8" NPT
13	6T3207	1	ZERK,1/4" X STR
14	06503064	1	O-RING PLUG, 1/8"

COMMON SIDE ROTARY

# ROTARY MOTOR BREAKDOWN



COMMON SIDE ROTARY



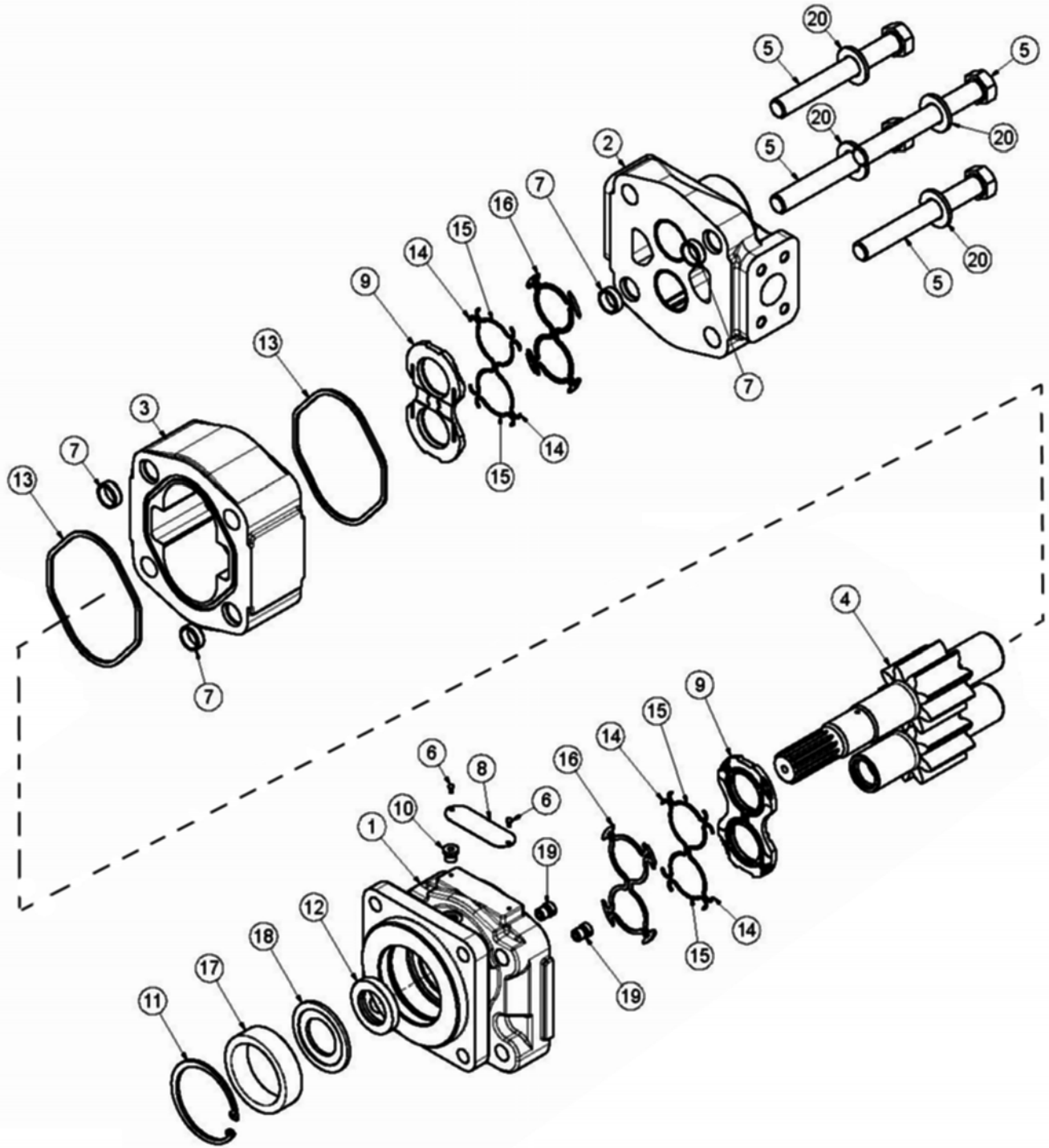
## ROTARY MOTOR BREAKDOWN

Continued...

ITEM	PART NO.	QTY.	DESCRIPTION
	06504011	-	MOTOR ASSEMBLY
1	22790	1	END,COVER
2	06504088	1	HOUSING, PEC
3	06504111	1	HOUSING, GEAR
4	06504026	1	SET, GEAR SHAFT
5	06504104	4	CAPSCREW
6	06504078	2	SCREW, DRIVE
7	06504092	1	KEY
8	06504093	4	PIN, DOWEL
9	06504094	1	NAME PLATE
10	06504095	2	THRPL
11	2961940	1	PLUG, ODT
12	2962200	1	RING, SNAP
13	06504096	1	O RING
14	6T5101	1	SEAL, LIP
15	06504097	1	SEAL, LIP
16	22797	2	SEAL, SQ-R
17	06504098	4	SEAL, SIDE CHAN
18	06504099	4	SEAL, END CHAN
19	06504100	2	SEAL, BK-UP
20	06504101	1	RTNR, SEAL
21	6T5809	2	CHECK ASS'Y
22	06504102	4	WASHER
---	06504103	-	SEAL KIT

COMMON SIDE ROTARY

# 60IN TSR ROTARY MOTOR BREAKDOWN



COMMON SIDE ROTARY

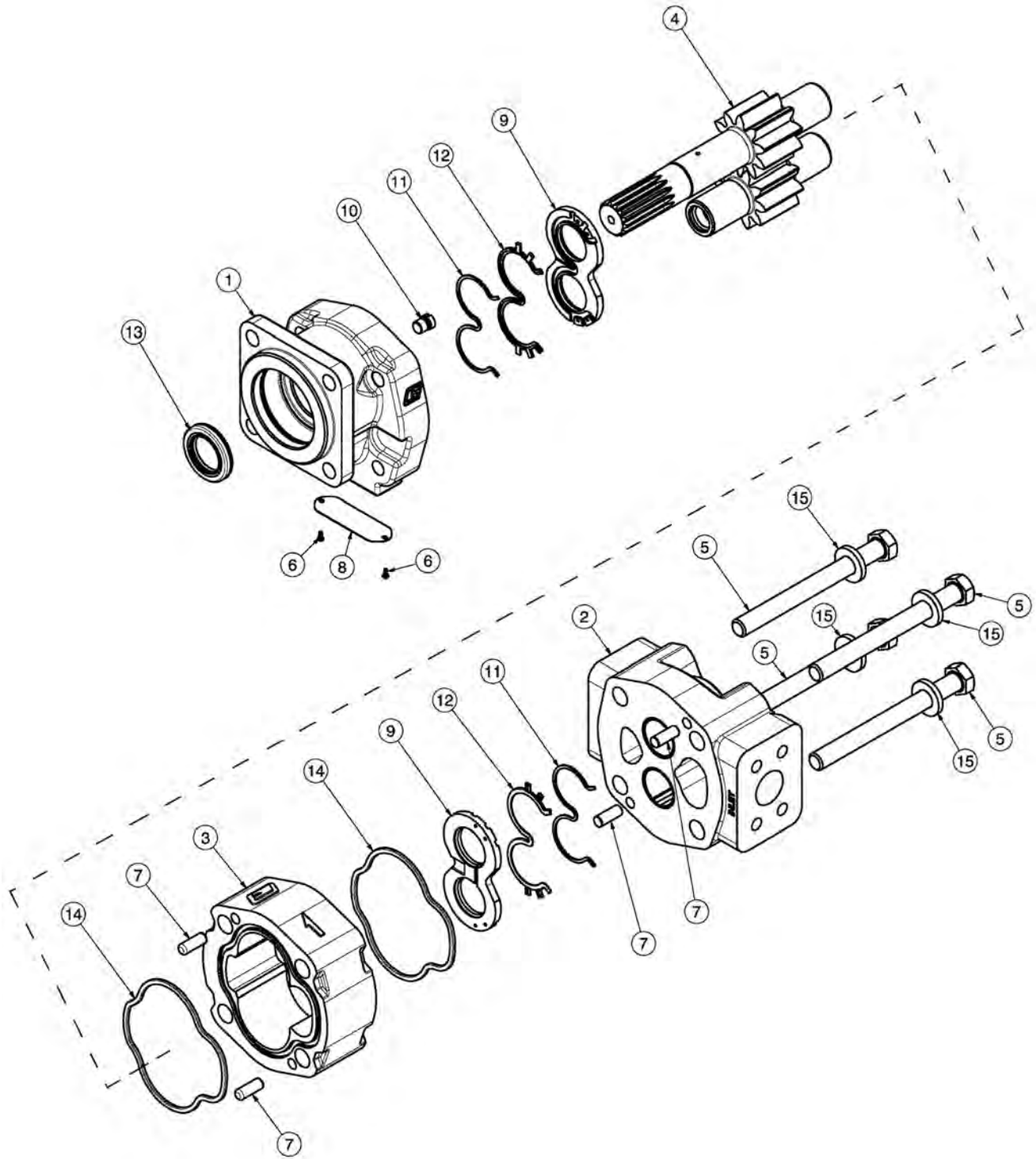
## 60IN TSR ROTARY MOTOR BREAKDOWN

Continued...

ITEM	PART NO.	QTY.	DESCRIPTION
	06504016	-	MOTOR(M365-1 1/4SPLINE),SEALED
1	22790	1	COVER,END
2	06504088	1	HOUSING,PEC
3	06504111	1	HOUSING,GEAR
4	06504110	1	SET,GEAR SHAFT
5	06504104	4	CAP SCREW
6	06504078	2	SCREW,DRIVE
7	06504093	4	PIN,DOWEL
8	06504094	1	NAME PLATE
9	06504095	2	THRPL
10	02961940	1	PLUG,ODT (0.25)
11	6T5200	1	RING,SNAP
12	06504097	1	SEAL,LIP
13	22797	2	SEAL,SQ-R
14	06504098	4	SEAL,SIDE CHAN
15	06504099	4	SEAL,END CHAN
16	06504100	2	SEAL,BK-UP
17	06504112	1	SPACER
18	06504113	1	RTNR,SEAL
19	6T5809	2	CHECK ASS'Y
20	06504102	4	WASHER
---	06504022	1	SEAL KIT

COMMON SIDE ROTARY

# FRONT HYDRAULIC PUMP BREAKDOWN



COMMON SIDE ROTARY

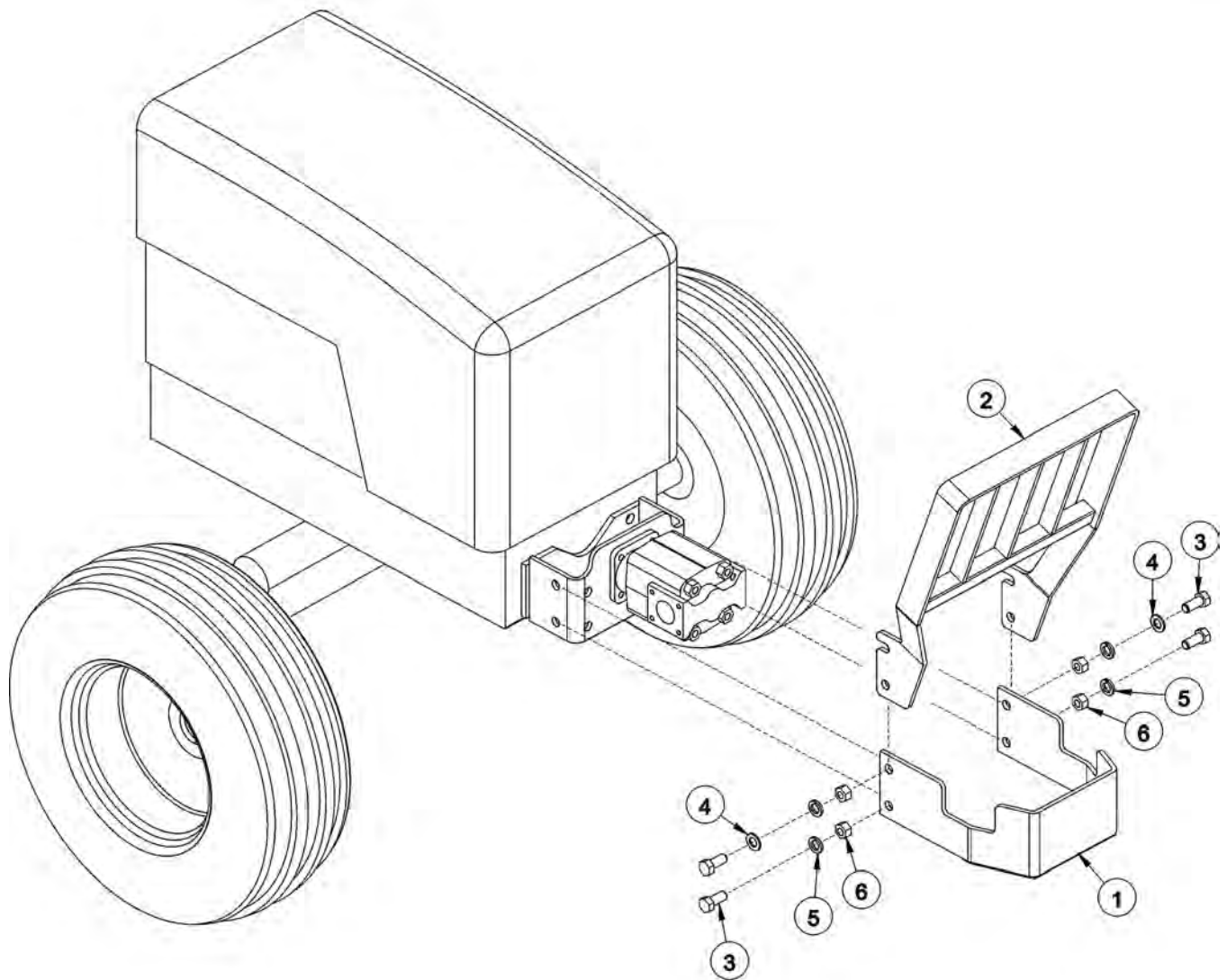
## FRONT HYDRAULIC PUMP BREAKDOWN

Continued...

ITEM	PART NO.	QTY.	DESCRIPTION
---	23152	1	PUMP ASSEMBLY,1-3/4",COMPLETE
1	22766	1	SHAFT END COVER
2	22779	1	PORT END COVER
3	22774	1	GEAR HOUSING,1-3/4"
4	22771	1	GEAR SET
5	23824	4	CAPSCREW
6	06504078	2	SCREW,DRIVE
7	22773	4	DOWEL PINS
8	06504077	1	NAMEPLATE
9	22770	2	THRUST PLATE
10	22767	1	PLUG
11	06504075	2	SEAL,BK-UP
12	06504074	2	SEAL,CHAN
13	22765	1	SEAL,LIP
14	06504076	2	SEAL,SQ-R
15	02961917	4	WASHER
---	24150	1	SEAL KIT (INCLUDES 11, 12, 13 AND 14)

COMMON SIDE ROTARY

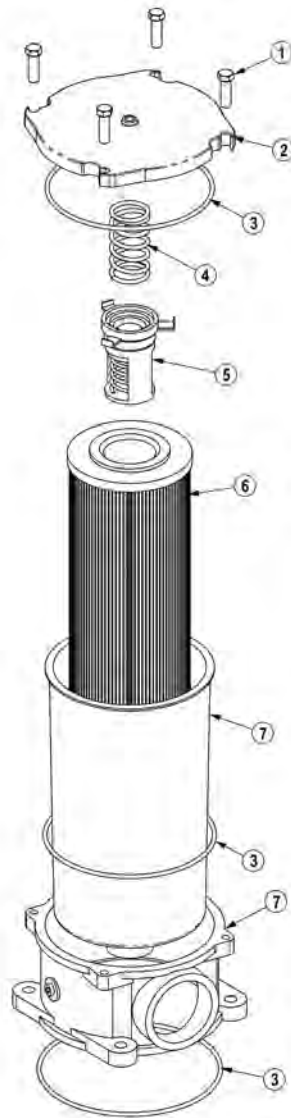
## PUMP AND GRILL GUARD OPTIONS



ITEM	PART NO.	QTY.	DESCRIPTION
1	32430	1	UNIVERSAL PUMP GUARD
2	32737	1	UNIVERSAL GRILL GUARD
3	21833	4	CAPSCREW,3/4" X 2-1/4",NC
4	22021	2	FLATWASHER,3/4"
5	21993	4	LOCKWASHER,3/4"
6	21825	4	HEX NUT,3/4",NC

COMMON SIDE ROTARY

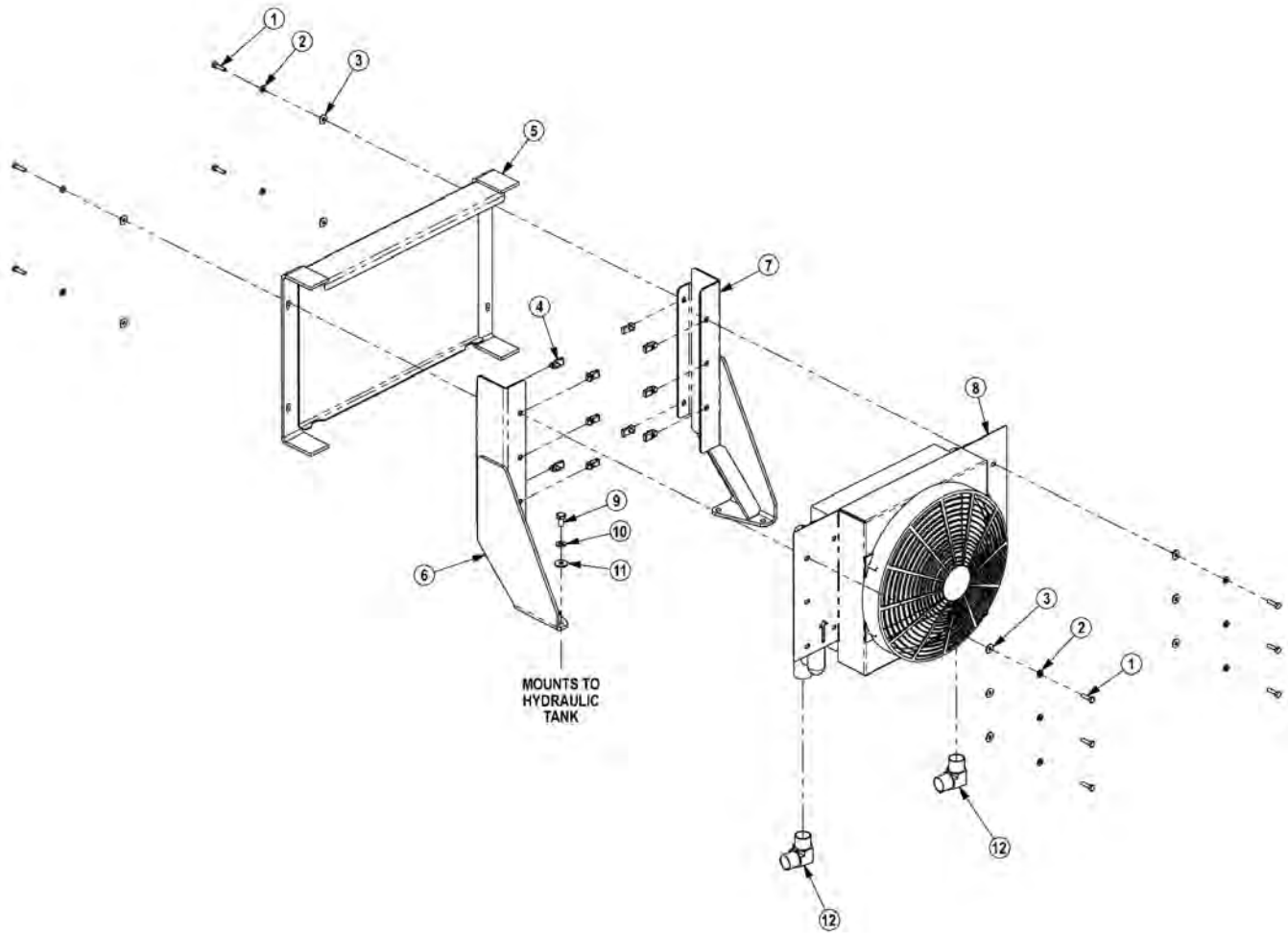
## RESERVOIR TANK FILTER ASSEMBLY



ITEM	PART NO.	QTY.	DESCRIPTION
---	06505044	-	FILTER ASSY SAE 10 MICRON
1	28583	4	CAPSCREW,8MM X 25MM(1.25 PITCH)
2	06505045	1	COVER
3	06505046	1	SEAL KIT
4	06505047	1	SPRING
5	06505048	1	BYPASS
6	35259	1	FILTER,10 MIC,RETURN LINE
7	06505049	1	CAN/BODY

COMMON SIDE ROTARY

## COOLER ASSEMBLY

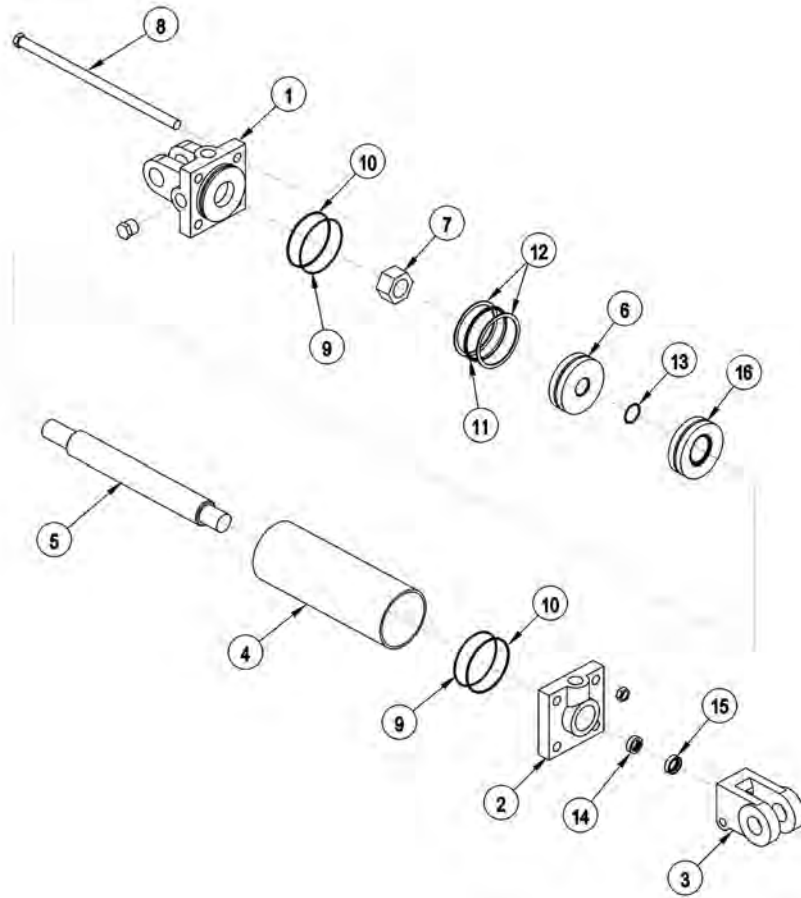


ITEM	PART NO.	QTY.	DESCRIPTION
1	21530	10	CAPSCREW,1/4 X1 NC
2	21986	10	LOCKWASHER,1/4
3	22014	10	FLATWASHER,1/4
4	35176	10	1/4 U-NUT
5	06370015	1	SCREEN,COOLER,FRNT
6	06380006	1	MNT,COOLER,BUMPER TANK,RH
7	06380007	1	MNT,COOLER,BUMPER TANK,LH
8	06510026	1	COOLER,FRONT MNT
---	06510029	1	FAN ASSY, ONLY
9	21629	4	CAPSCREW,3/8 X 3/4 NC
10	21988	4	LOCKWASHER,3/8
11	22016	4	FLATWASHER,3/8
12	34117	2	ELBOW,1MOR X 1MJ90,FORGED

COMMON SIDE ROTARY



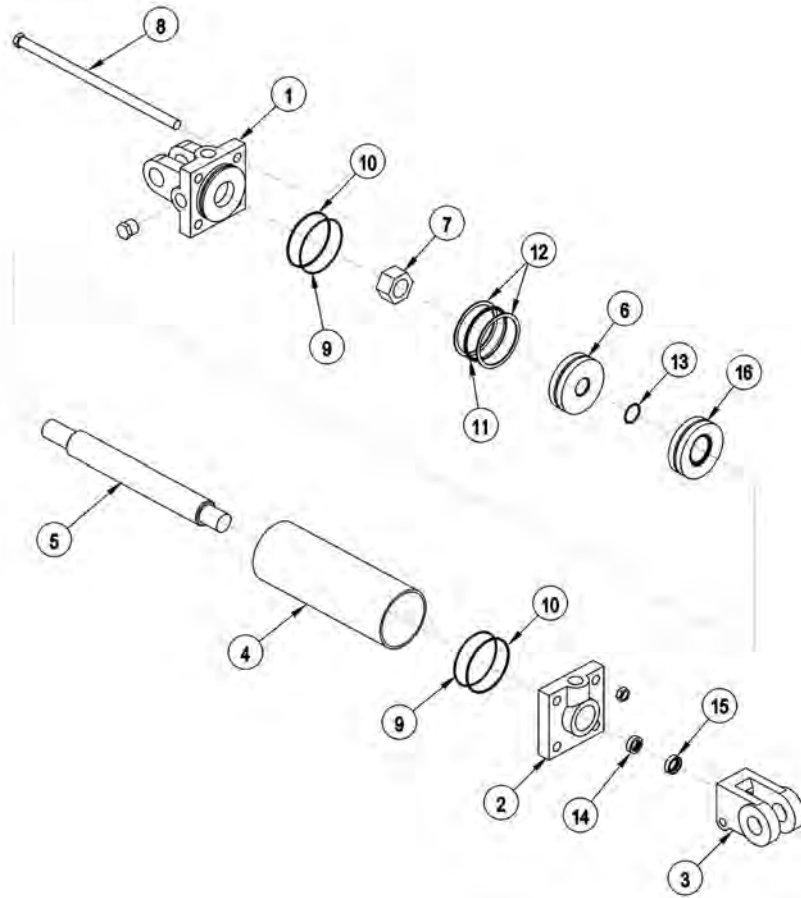
## 3IN X 10IN HYDRAULIC CYLINDER BREAKDOWN



ITEM	PART NO.	QTY.	DESCRIPTION
-----	6T0151R	-	HYD. CYLINDER 3" X 10"
1	6T0167	1	CYLINDER BUTT
2	6T0170	1	CYLINDER GLAND
3	6T0178	1	CLEVIS END
4	6T0164	1	CYLINDER TUBE
5	6T0161	1	PISTON ROD
6	6T0173	1	PISTON
7	6T0179	1	LOCKNUT
8	6T0176	4	TIE ROD ASY
-----	6T0187	-	SEAL KIT
9	-----	2	O - RING
10	-----	2	BACK - UP WASHER
11	-----	1	O - RING
12	-----	2	BACK - UP WASHER
13	-----	1	O - RING
14	-----	1	U - CUP
15	-----	1	WIPER

COMMON SIDE ROTARY

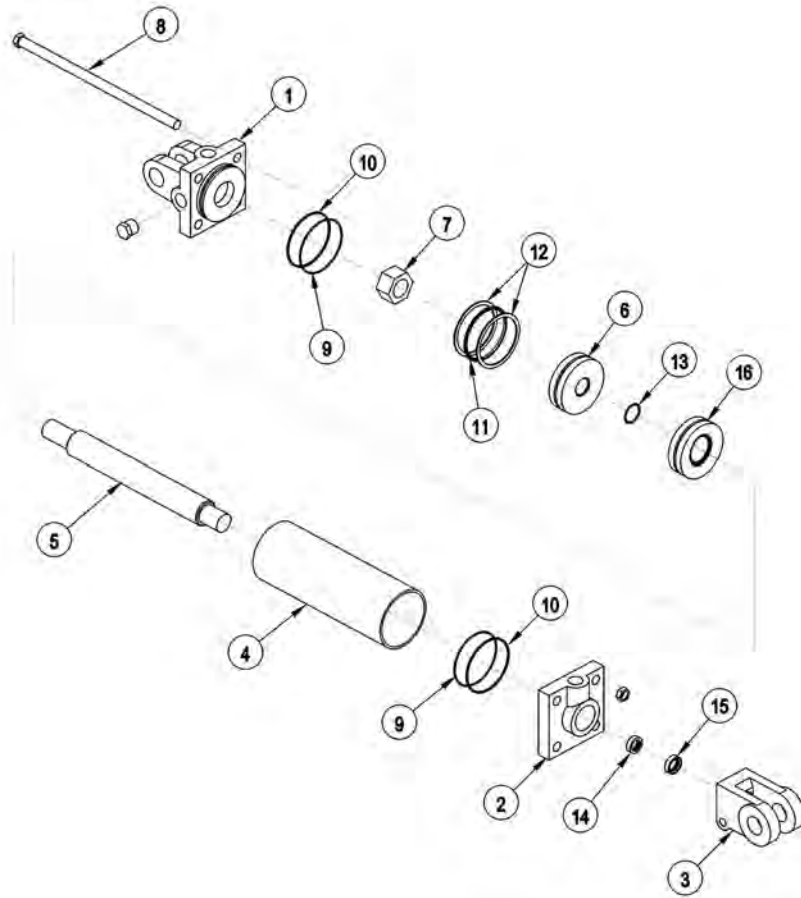
## 3IN X 12IN HYDRAULIC CYLINDER BREAKDOWN



ITEM	PART NO.	QTY.	DESCRIPTION
-----	32215	-	HYD. CYLINDER 3" X 12" (STD DUTY)
-----	25343	-	HYD. CYLINDER 3" X 12" (HVY DUTY)
1	6T0167	1	CYLINDER BUTT
2	6T0170	1	CYLINDER GLAND
3	6T0178	1	CLEVIS END
4	6T0204	1	CYLINDER TUBE
5	6T0203	1	PISTON ROD
6	6T0173	1	PISTON
7	6T0179	1	LOCKNUT
8	6T0205	4	TIE ROD ASY
-----	6T0187	-	SEAL KIT
9	-----	2	O - RING
10	-----	2	BACK - UP WASHER
11	-----	1	O - RING
12	-----	2	BACK - UP WASHER
13	-----	1	O - RING
14	-----	1	U - CUP
15	-----	1	WIPER

COMMON SIDE ROTARY

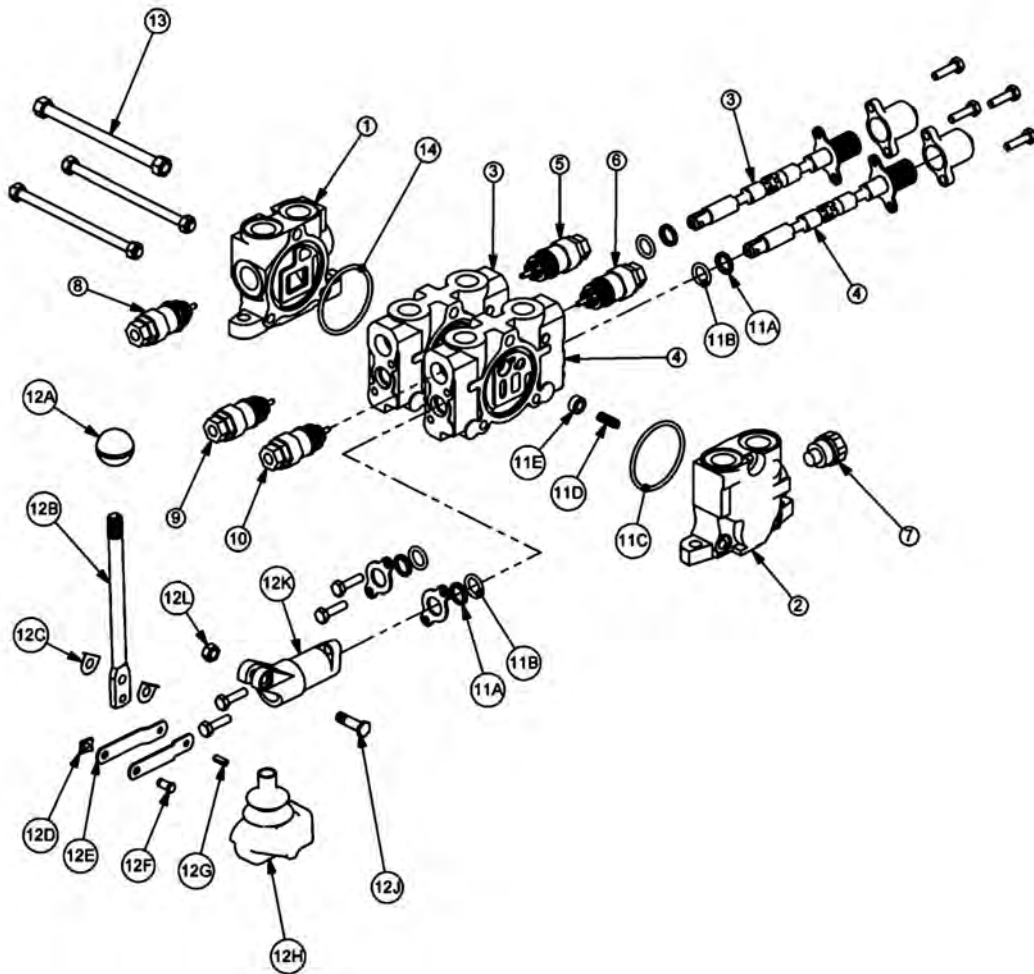
## 3IN X 18IN HYDRAULIC CYLINDER BREAKDOWN



ITEM	PART NO.	QTY.	DESCRIPTION
-----	6T0150	-	CYLINDER 3" X 18"
1	6T0167	1	CYLINDER BUTT
2	6T0170	1	CYLINDER GLAND
3	6T0178	1	CLEVIS END
4	6T0165	1	CYLINDER TUBE
5	6T0162	1	PISTON ROD
6	6T0173	1	PISTON
7	6T0179	1	LOCKNUT
8	6T0177	4	TIE ROD ASY
-----	6T0187	-	SEAL KIT
9	-----	2	O - RING
10	-----	2	BACK - UP WASHER
11	-----	1	O - RING
12	-----	2	BACK - UP WASHER
13	-----	1	O - RING
14	-----	1	U - CUP
15	-----	1	WIPER
16	6T0206	1	SPACER

COMMON SIDE ROTARY

# CABLE (MANUAL) LIFT VALVE BREAKDOWN - 30801



COMMON SIDE ROTARY

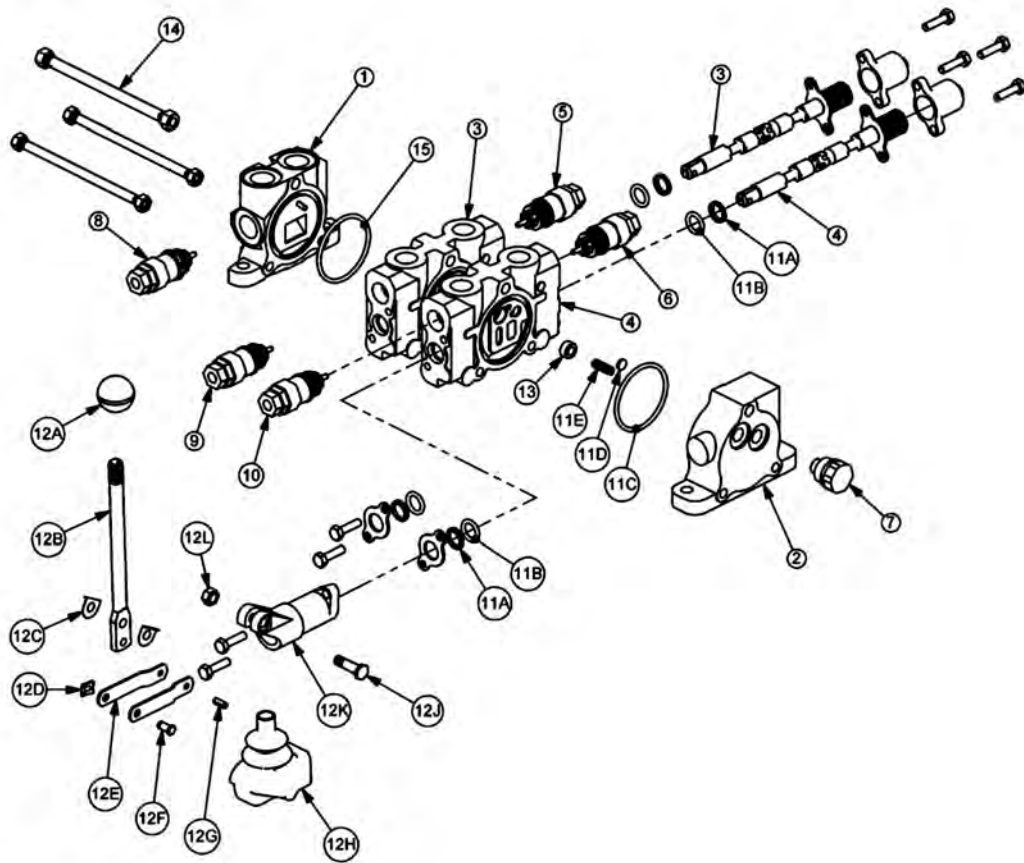
## CABLE (MANUAL) LIFT VALVE BREAKDOWN - 30801

Continued...

ITEM	PART NO.	QTY.	DESCRIPTION
1	TB1017S	1	INLET END COVER
2	TB1702	1	END COVER, POWER BEYOND
3	TB1017P	1	VALVE SECTION (SINGLE ACTING, SPRING DETENT)
4	06502091	1	VALVE SECTION (DOUBLE ACTING, CENTER SPRING) (NO AUX VALVE PORTS)
5	N/A	-	N/A
6	N/A	-	N/A
7	TB1017M	1	SHUT-OFF PLUG
8	TB1017E	1	RELIEF VALVE, 2250 PSI
9	TB1017M	1	SHUT-OFF PLUG
10	N/A	-	N/A
11	TB1017A	2	VALVE SEAL KIT (FOR ONE SECTION)
11A	-----	2	WIPER
11B	-----	2	O-RING SMALL
11C	-----	1	O-RING LARGE
11D	-----	1	SPRING
11E	-----	1	PUCKET
12	TB1017L	2	LEVER KIT (FOR ONE SECTION)
12A	-----	1	LEVER KNOB
12B	-----	1	LEVER
12C	-----	2	LEVER WASHER
12D	-----	1	LEVER CLIP
12E	-----	2	LINKAGE
12F	-----	1	LEVER PIN
12G	-----	1	ROLL PIN
12H	-----	1	LEVER BOOT
12J	-----	1	LEVER BOLT
12K	-----	1	LEVER DUST COVER
12L	-----	1	LEVER NUT
13	TB1017X	1	TIE ROD KIT
14	24214	1	O-RING, LARGE

COMMON SIDE ROTARY

# CABLE (MANUAL) LIFT VALVE BREAKDOWN - 31320



COMMON SIDE ROTARY

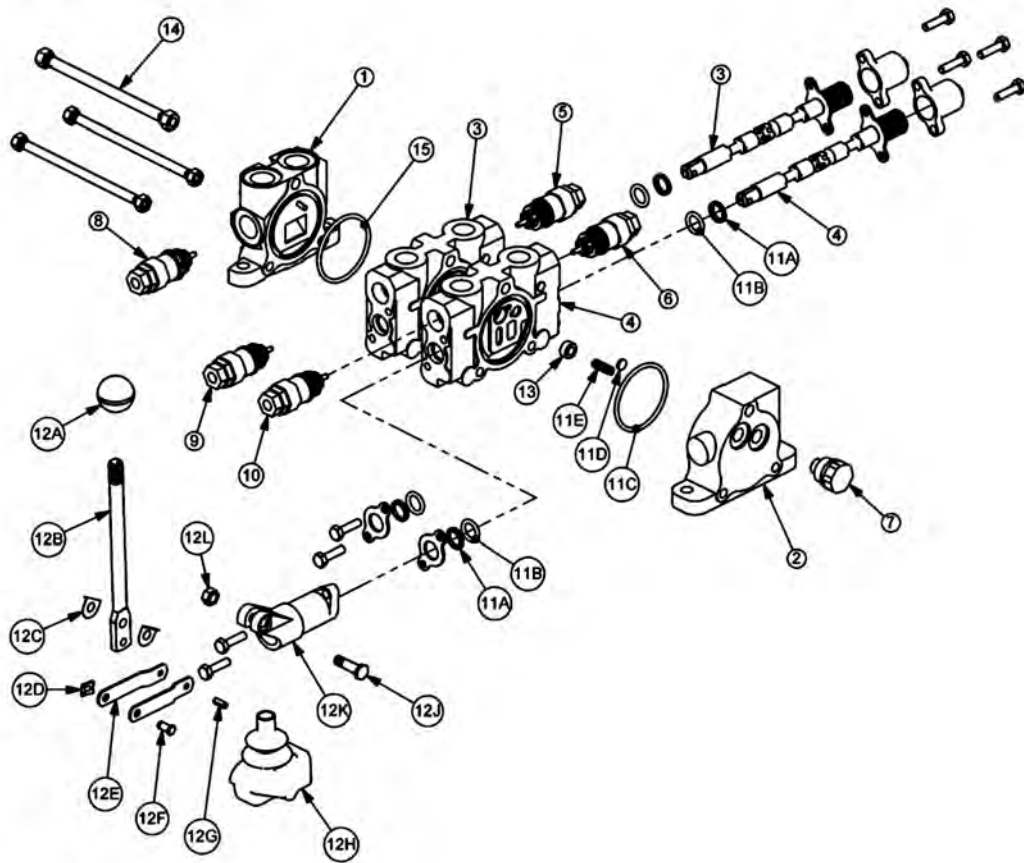
## CABLE (MANUAL) LIFT VALVE BREAKDOWN - 31320

Continued...

ITEM	PART NO.	QTY.	DESCRIPTION
1	31595	1	INLET END COVER
2	31594	1	END COVER, LOAD SENSE
3	31597	1	VALVE SECTION (DOUBLE ACTING, CENTER SPRING)
4	31597	1	VALVE SECTION (DOUBLE ACTING, CENTER SPRING)
5	06503067	1	RELIEF PLUG
6	06503067	1	RELIEF PLUG
7	N/A	-	N/A
8	6T4209	1	RELIEF PLUG
9	31862	1	RELIEF VALVE, 2175 PSI
10	31862	1	RELIEF VALVE, 2175 PSI
11	31593	2	VALVE SEAL KIT (FOR ONE SECTION)
11A	-----	2	WIPER
11B	-----	2	O-RING SMALL
11C	-----	1	O-RING LARGE
11D	-----	1	SHUTTLE DISC
11E	-----	1	SPRING
12	TB1017L	2	LEVER KIT (FOR ONE SECTION)
12A	-----	1	LEVER KNOB
12B	-----	1	LEVER
12C	-----	2	LEVER WASHER
12D	-----	1	LEVER CLIP
12E	-----	2	LINKAGE
12F	-----	1	LEVER PIN
12G	-----	1	ROLL PIN
12H	-----	1	LEVER BOOT
12J	-----	1	LEVER BOLT
12K	-----	1	LEVER DUST COVER
12L	-----	1	LEVER NUT
13	31603	2	COMPENSATOR
14	TB1017X	1	TIE ROD KIT
15	24214	1	O-RING, LARGE

COMMON SIDE ROTARY

# CABLE (MANUAL) LIFT VALVE BREAKDOWN - 31321



COMMON SIDE ROTARY



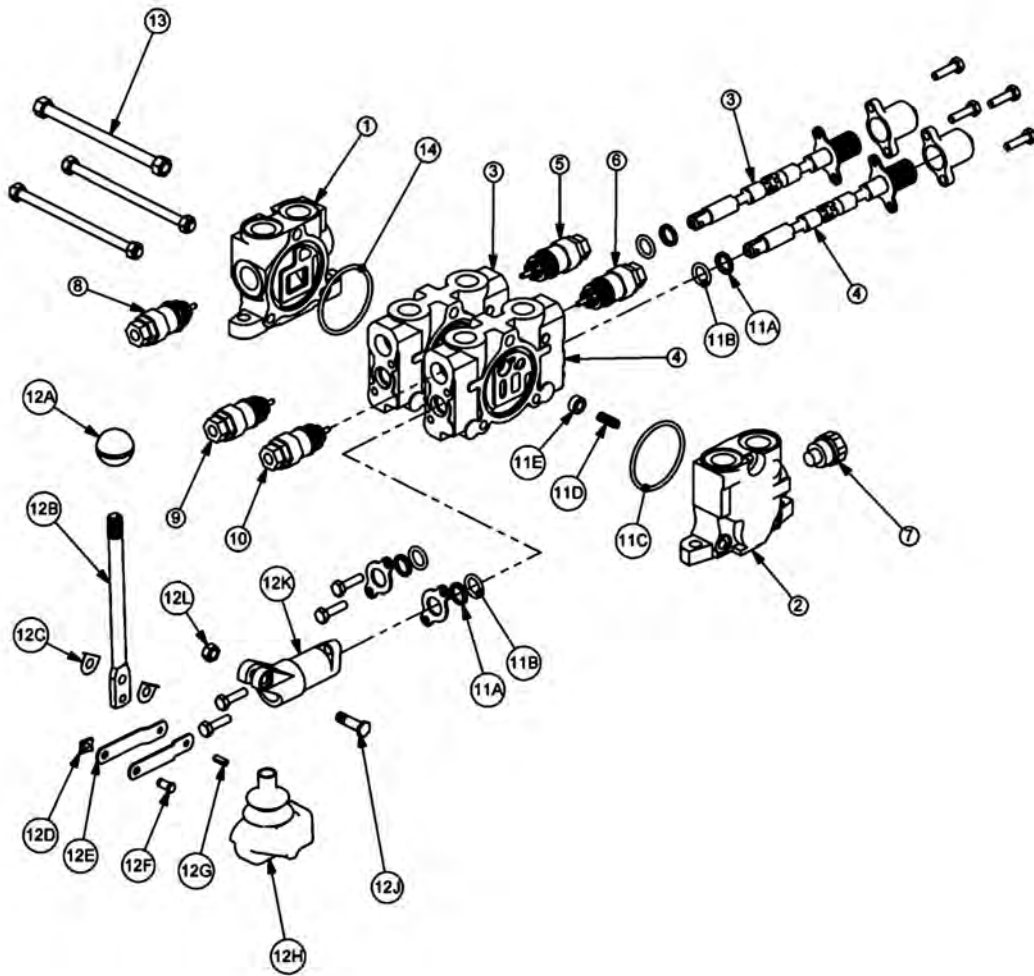
## CABLE (MANUAL) LIFT VALVE BREAKDOWN - 31321

Continued...

ITEM	PART NO.	QTY.	DESCRIPTION
1	31595	1	INLET END COVER
2	31594	1	END COVER, LOAD SENSE
3	31597	1	VALVE SECTION (DOUBLE ACTING, CENTER SPRING)
4	31597	1	VALVE SECTION (DOUBLE ACTING, CENTER SPRING)
5	06503067	1	RELIEF PLUG
6	31861	1	RELIEF VALVE, 360 PSI
7	N/A	-	N/A
8	6T4209	1	RELIEF PLUG
9	31862	1	RELIEF VALVE, 2175 PSI
10	31862	1	RELIEF VALVE, 2175 PSI
11	31593	2	VALVE SEAL KIT (FOR ONE SECTION)
11A	-----	2	WIPER
11B	-----	2	O-RING SMALL
11C	-----	1	O-RING LARGE
11D	-----	1	SHUTTLE DISC
11E	-----	1	SPRING
12	TB1017L	2	LEVER KIT (FOR ONE SECTION)
12A	-----	1	LEVER KNOB
12B	-----	1	LEVER
12C	-----	2	LEVER WASHER
12D	-----	1	LEVER CLIP
12E	-----	2	LINKAGE
12F	-----	1	LEVER PIN
12G	-----	1	ROLL PIN
12H	-----	1	LEVER BOOT
12J	-----	1	LEVER BOLT
12K	-----	1	LEVER DUST COVER
12L	-----	1	LEVER NUT
13	31603	2	COMPENSATOR
14	TB1017X	1	TIE ROD KIT
15	24214	1	O-RING, LARGE

COMMON SIDE ROTARY

# CABLE (MANUAL) LIFT VALVE BREAKDOWN - 31752



COMMON SIDE ROTARY

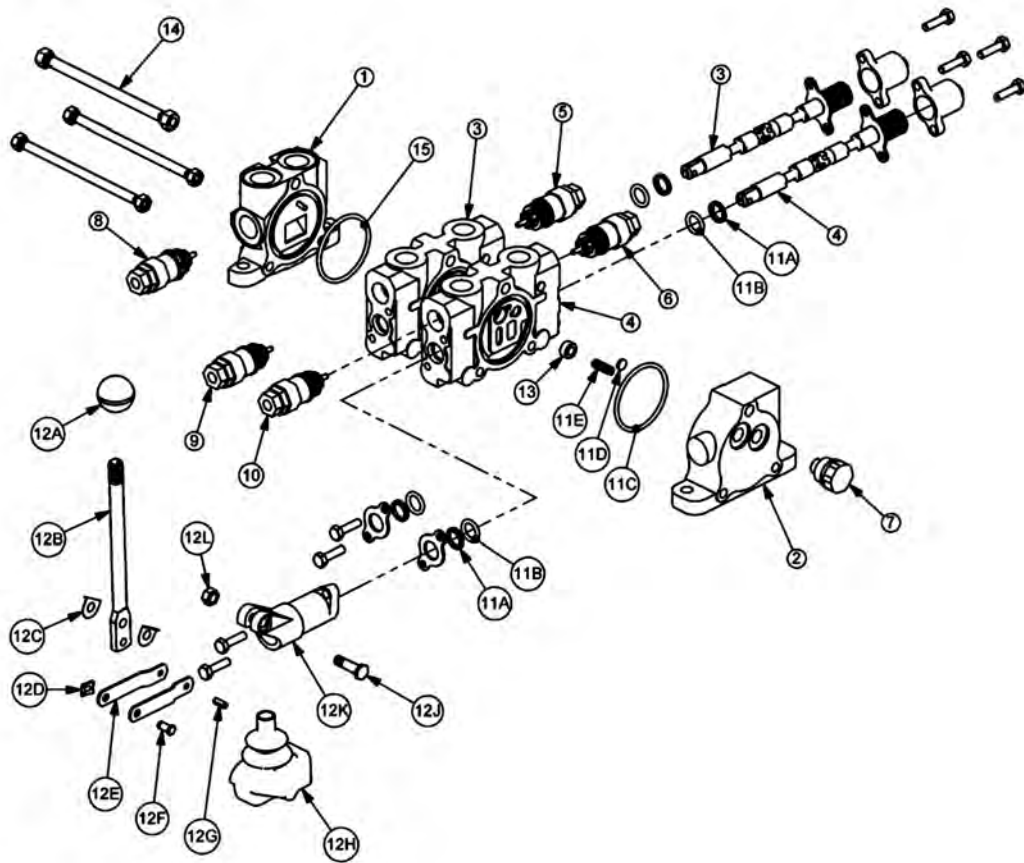
## CABLE (MANUAL) LIFT VALVE BREAKDOWN - 31752

Continued...

ITEM	PART NO.	QTY.	DESCRIPTION
1	TB1017S	1	INLET END COVER
2	TB1702	1	END COVER, POWER BEYOND
3	TB1017P	1	VALVE SECTION (SINGLE ACTING, SPRING DETENT)
4	TB1017P	1	VALVE SECTION (SINGLE ACTING, SPRING DETENT)
5	N/A	-	N/A
6	N/A	-	N/A
7	TB1017M	1	SHUT-OFF PLUG
8	TB1017E	1	RELIEF VALVE, 2250 PSI
9	TB1017M	1	SHUT-OFF PLUG
10	TB1017M	1	SHUT-OFF PLUG
11	TB1017A	2	VALVE SEAL KIT (FOR ONE SECTION)
11A	-----	2	WIPER
11B	-----	2	O-RING SMALL
11C	-----	1	O-RING LARGE
11D	-----	1	SPRING
11E	-----	1	PUCKET
12	TB1017L	2	LEVER KIT (FOR ONE SECTION)
12A	-----	1	LEVER KNOB
12B	-----	1	LEVER
12C	-----	2	LEVER WASHER
12D	-----	1	LEVER CLIP
12E	-----	2	LINKAGE
12F	-----	1	LEVER PIN
12G	-----	1	ROLL PIN
12H	-----	1	LEVER BOOT
12J	-----	1	LEVER BOLT
12K	-----	1	LEVER DUST COVER
12L	-----	1	LEVER NUT
13	TB1017X	1	TIE ROD KIT
14	24214	1	O-RING, LARGE

COMMON SIDE ROTARY

# CABLE (MANUAL) LIFT VALVE BREAKDOWN - 06502040



COMMON SIDE ROTARY

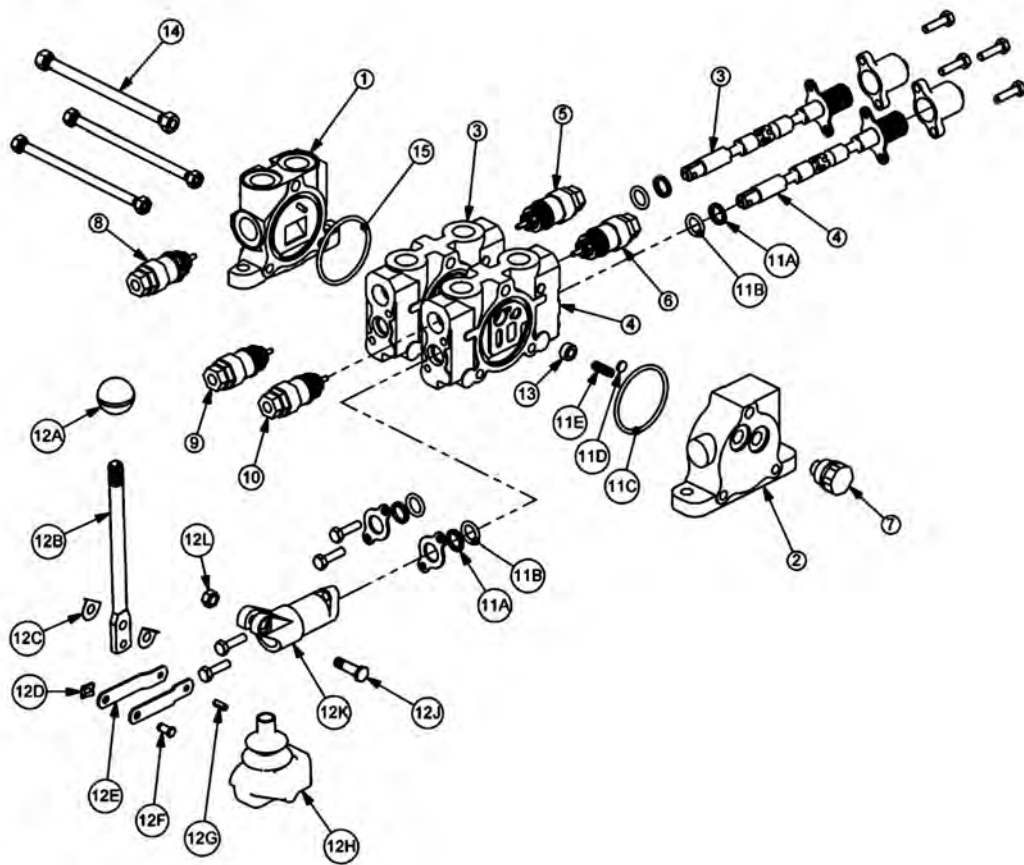
## CABLE (MANUAL) LIFT VALVE BREAKDOWN - 06502040

Continued...

ITEM	PART NO.	QTY.	DESCRIPTION
1	31595	1	INLET END COVER
2	31594	1	END COVER, LOAD SENSE
3	31597	1	VALVE SECTION (DOUBLE ACTING, CENTER SPRING)
4	31597	1	VALVE SECTION (DOUBLE ACTING, CENTER SPRING) (REMOVE SHUTTLE DISC)
5	06503067	1	RELIEF PLUG
6	06503067	1	RELIEF PLUG
7	06503068	1	RELIEF PLUG
8	N/A	-	N/A
9	31862	1	RELIEF VALVE, 2175 PSI
10	31862	1	RELIEF VALVE, 2175 PSI
11	31593	2	VALVE SEAL KIT (FOR ONE SECTION)
11A	-----	2	WIPER
11B	-----	2	O-RING SMALL
11C	-----	1	O-RING LARGE
11D	-----	1	SHUTTLE DISC
11E	-----	1	SPRING
12	TB1017L	2	LEVER KIT (FOR ONE SECTION)
12A	-----	1	LEVER KNOB
12B	-----	1	LEVER
12C	-----	2	LEVER WASHER
12D	-----	1	LEVER CLIP
12E	-----	2	LINKAGE
12F	-----	1	LEVER PIN
12G	-----	1	ROLL PIN
12H	-----	1	LEVER BOOT
12J	-----	1	LEVER BOLT
12K	-----	1	LEVER DUST COVER
12L	-----	1	LEVER NUT
13	31603	2	COMPENSATOR
14	TB1017X	1	TIE ROD KIT
15	24214	1	O-RING, LARGE

COMMON SIDE ROTARY

# CABLE (MANUAL) LIFT VALVE BREAKDOWN - 06502041



COMMON SIDE ROTARY

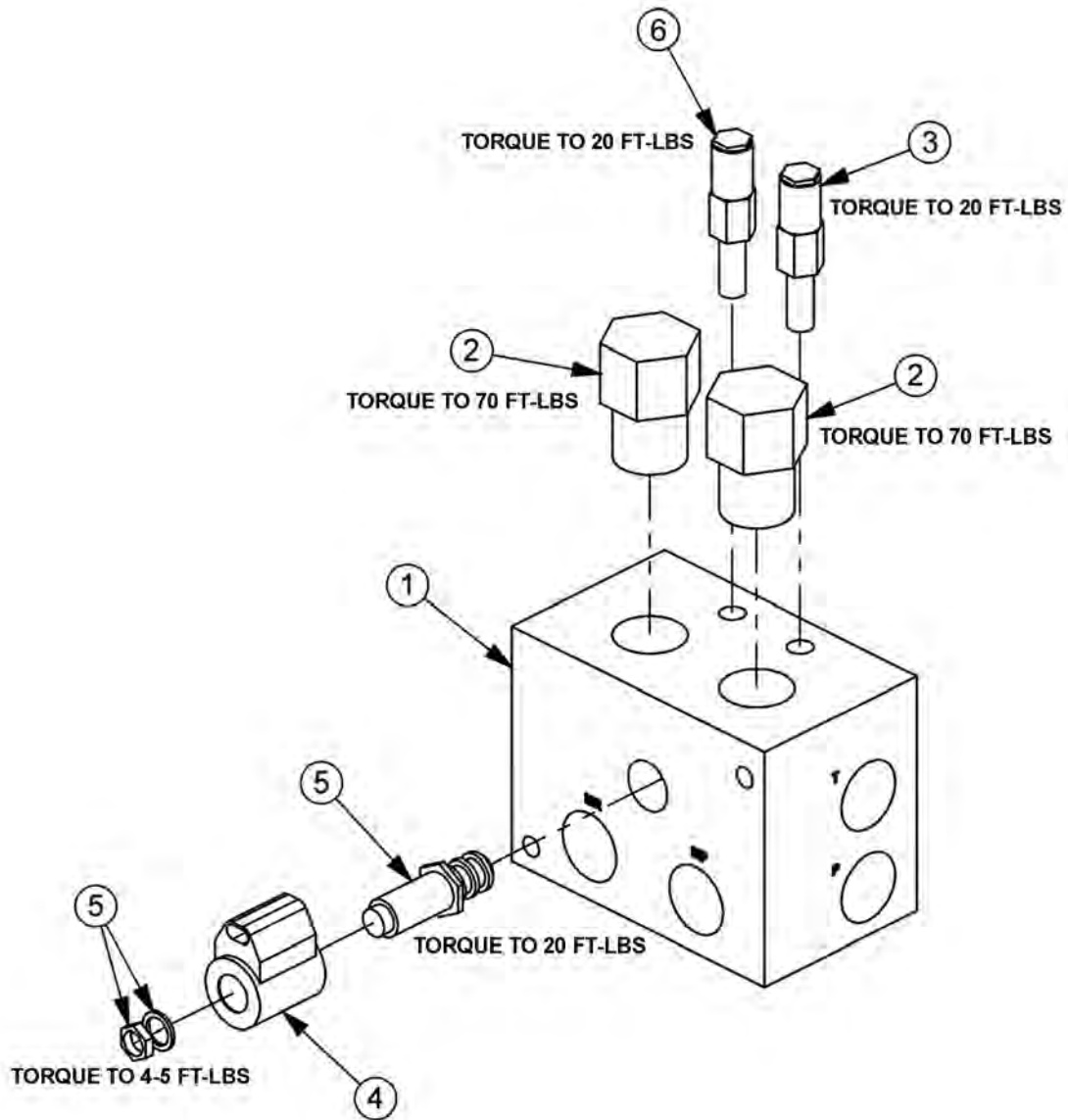
## CABLE (MANUAL) LIFT VALVE BREAKDOWN - 06502041

Continued...

ITEM	PART NO.	QTY.	DESCRIPTION
1	31595	1	INLET END COVER
2	31594	1	END COVER, LOAD SENSE
3	31597	1	VALVE SECTION (DOUBLE ACTING, CENTER SPRING)
4	31597	1	VALVE SECTION (DOUBLE ACTING, CENTER SPRING)
5	06503067	1	RELIEF PLUG
6	31861	1	RELIEF VALVE, 360 PSI
7	06503068	1	RELIEF PLUG
8	6T4209	1	RELIEF PLUG
9	31862	1	RELIEF VALVE, 2175 PSI
10	31862	1	RELIEF VALVE, 2175 PSI
11	31593	2	VALVE SEAL KIT (FOR ONE SECTION)
11A	-----	2	WIPER
11B	-----	2	O-RING SMALL
11C	-----	1	O-RING LARGE
11D	-----	1	SHUTTLE DISC
11E	-----	1	SPRING
12	TB1017L	2	LEVER KIT (FOR ONE SECTION)
12A	-----	1	LEVER KNOB
12B	-----	1	LEVER
12C	-----	2	LEVER WASHER
12D	-----	1	LEVER CLIP
12E	-----	2	LINKAGE
12F	-----	1	LEVER PIN
12G	-----	1	ROLL PIN
12H	-----	1	LEVER BOOT
12J	-----	1	LEVER BOLT
12K	-----	1	LEVER DUST COVER
12L	-----	1	LEVER NUT
13	31603	2	COMPENSATOR
14	TB1017X	1	TIE ROD KIT
15	24214	1	O-RING, LARGE

COMMON SIDE ROTARY

## BRAKE VALVE ASSEMBLY

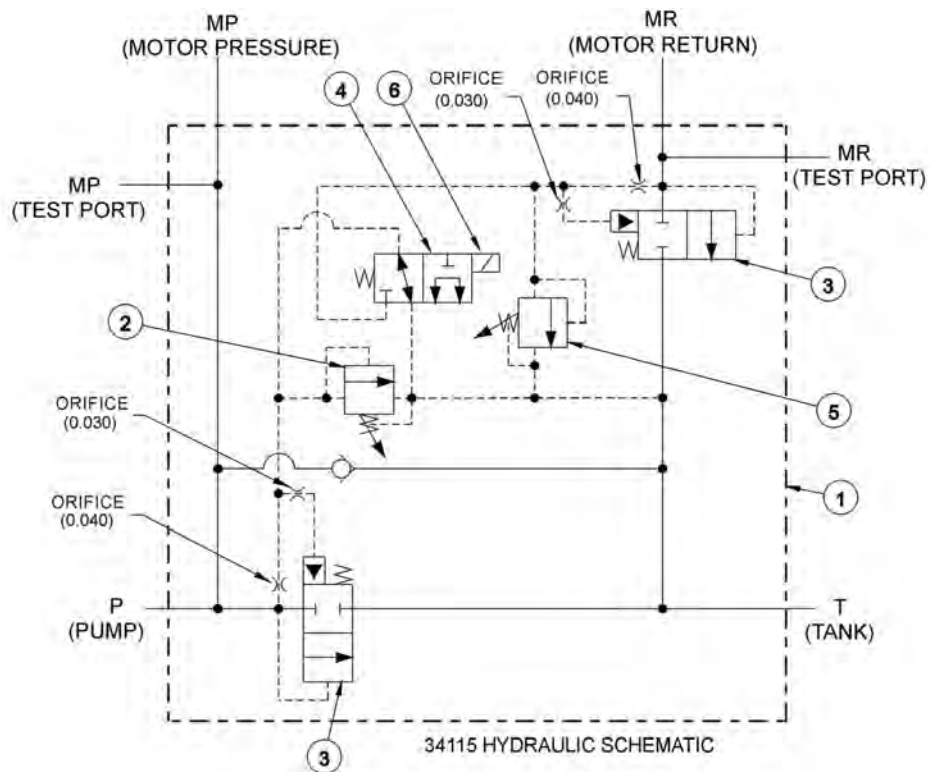


ITEM	PART NO.	QTY.	DESCRIPTION
---	06510083	1	BRAKE VALVE, ASSY
1	34092	1	BRAKE VALVE, BLANK
2	34094	2	LOGIC ELEMENT
3	34095	1	RELIEF VALVE, 3000 PSI
4	06510095	1	METRI PAK COIL
5	34093	1	CARTRIDGE, 2 POSITION, 3 WAY (WITH NUT & WASHER)
6	34091	1	RELIEF VALVE, 2600 PSI
---	34096	2	RELIEF SEAL KIT
----	34097	1	SOLENOID SEAL KIT
---	34098	2	ELEMENT SEAL KIT

COMMON SIDE ROTARY



## BRAKE VALVE HYDRAULIC SCHEMATIC



### BRAKE VALVE TROUBLESHOOTING

#### FAILURE MODE:

- MOWER WILL NOT START - system pressure is low (engine not lugging).
- MOWER WILL NOT START - system pressure is high (engine lugging). "MR" port will be high pressure.
- MOWER WILL NOT ROTATE AT FULL SPEED - limited power.
- MOWER BLADE WILL NOT STOP - blade will not stop in proper time.

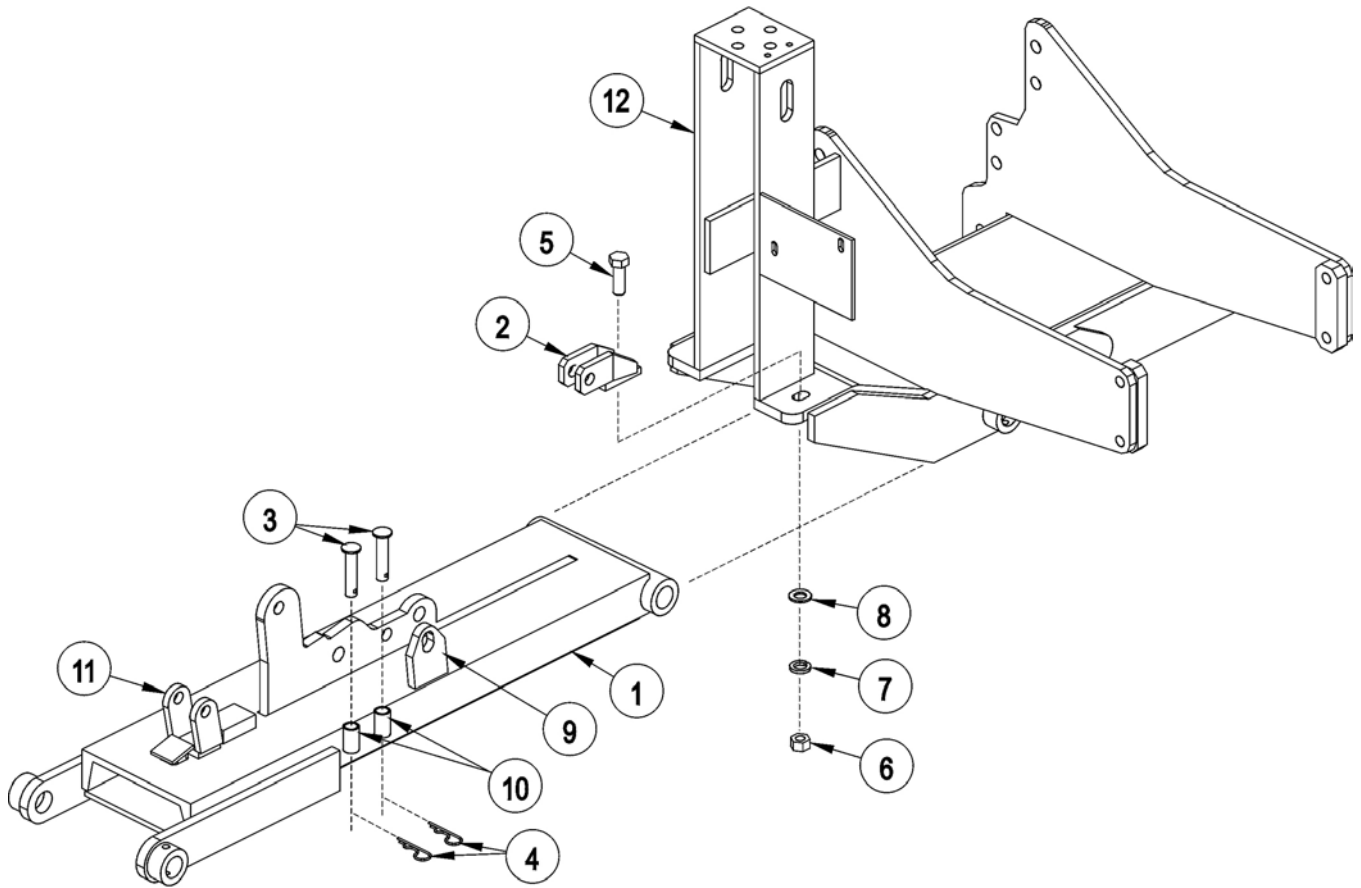
#### CHECK STEPS

- 1 thru 6
- 7
- 3 thru 5
- 7 thru 9

#### CORRECTIVE STEPS:

1. Check for voltage at solenoid (item 6), voltage must be between 10.2 volts and 13.8 volts.
2. Remove, inspect solenoid and cartridge (items 4, 6) for wear or contamination.
3. Remove, inspect logic elements near "P" port (item 3) for wear or contamination.
4. Remove, inspect 3000 psi relief valve (item 2) for wear or contamination.
5. Remove and inspect orifices near "P" port for contamination.
6. Remove "P" port hose and fitting, visually inspect for contamination, check ball for movement.
7. Remove and inspect orifices near "MR" port for contamination.
8. Remove, inspect 2600 psi relief valve (item 5) for wear of contamination.
9. Remove, inspect logic element near "MR" port (item 3) for wear or contamination.

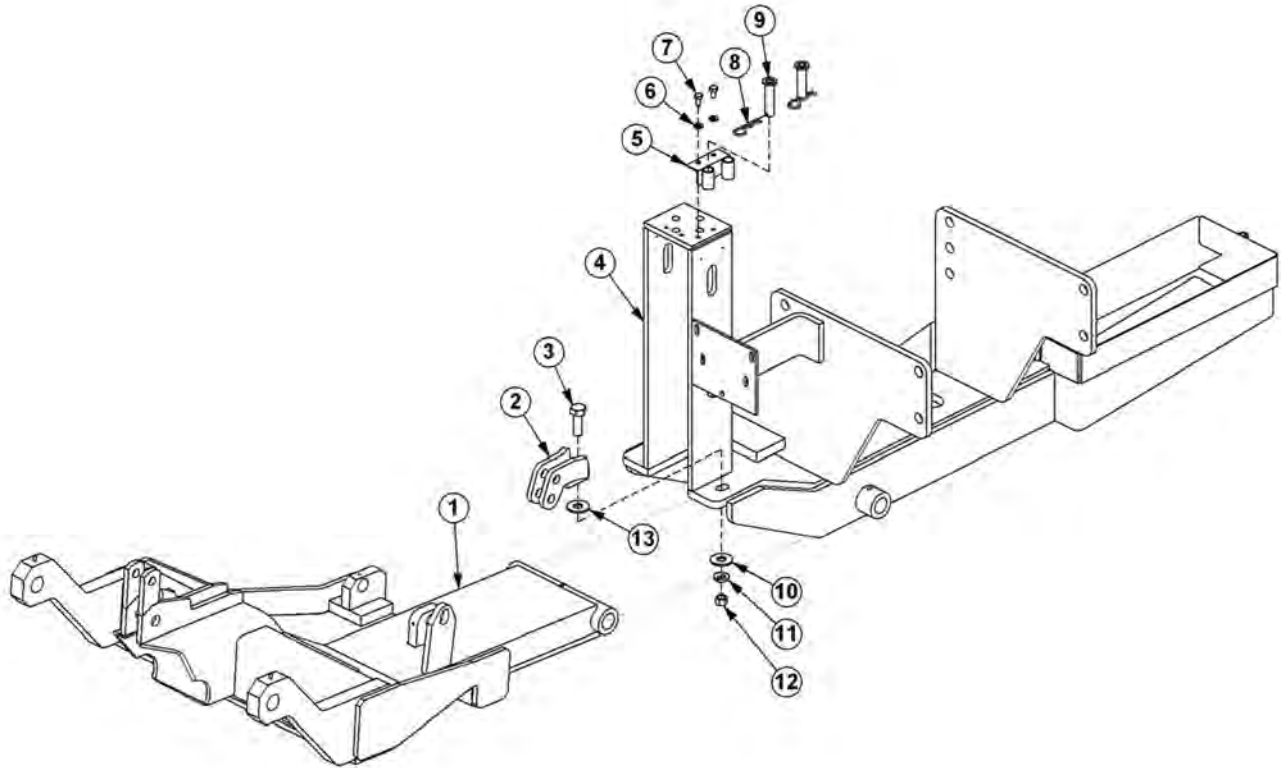
## CABLE DRAFT BEAM TRAVEL LOCK



ITEM	PART NO.	QTY.	DESCRIPTION
1	-----	-	CABLE DRAFT BEAM
2	6T0106	1	TRAVEL LOCK BRACKET
3	6T0107	2	TRAVEL LOCK PINS 3/4" X 3 1/4"
4	6T3020	2	R - CLIP 5/32"
5	21833	1	CAPSCREW 3/4" X 2 1/4"
6	21825	1	HEX NUT 3/4"
7	21993	1	LOCK WASHER 3/4"
8	22021	1	FLAT WASHER 3/4"
9	22600	1	TRAVEL LOCK EAR
10	22604	2	PIN HOLDER
11	22601C	1	TRAVEL LOCK ASY
12	-----	-	MAIN FRAME *REFER TO PARTS SECTION

COMMON SIDE ROTARY

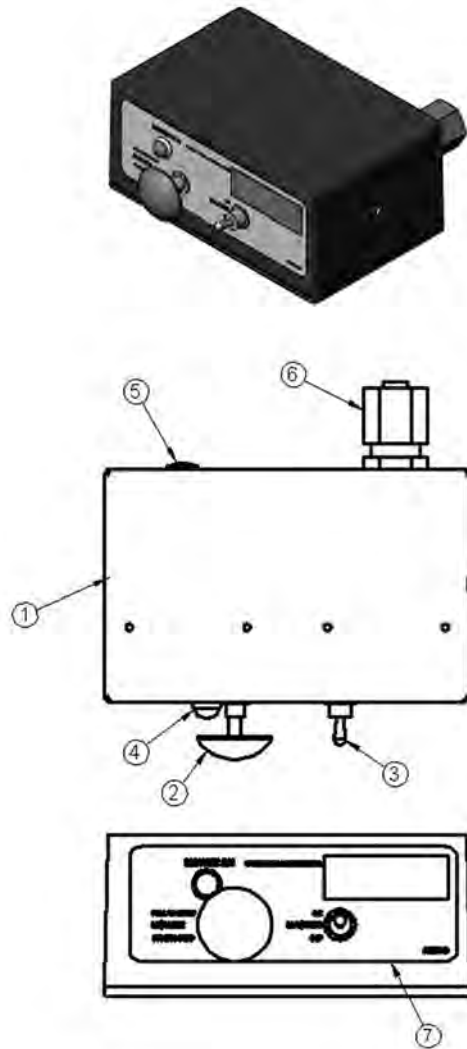
## COMBO DRAFT BEAM TRAVEL LOCK



ITEM	PART NO.	QTY.	DESCRIPTION
1	-----	-	COMBO DRAFT BEAM
2	6T0106	1	TRAVEL LOCK BRACKET
3	21835	1	CAPSCREW, 3/4" X 2-3/4", NC
4	-----	-	MAIN FRAME *REFER TO PARTS SECTION
5	33856	1	BRKT, PIN HOLDER
6	21988	2	LOCKWASHER, 3/8"
7	21629	2	CAPSCREW, 3/8" X 3/4", NC
8	6T3020	2	R-CLIP, 5/32"
9	6T0107	2	TRAVEL LOCK PINS, 3/4" X 3-1/4"
10	22021	1	FLATWASHER, 3/4"
11	21993	1	LOCKWASHER, 3/4"
12	21825	1	HEX NUT, 3/4", NC
13	06430147	1	SPACER

COMMON SIDE ROTARY

## SWITCH BOX



ITEM	PART NO.	QTY.	DESCRIPTION
1	06514013	1	SWBX,ALUM,BLK,06510102
2	35226	1	SWITCH,MOWER,COLEHERSEE
3	33811	1	SWITCH,MASTER/DECK FLOAT
4	6T3923	1	INDICTATOR LIGHT,ON,RED
5	06514014	1	BREAKER,10A,SWBX
6	34540	1	STRAIN RELIEF,3/4,BLACK,NYLON
7	06550018	1	DECAL,SWTCHBX,TM/TSF,CG
8	35227	1	RELAY,DP,DT,12V,LY2F,35226

COMMON SIDE ROTARY



# NOTES

**FIRE SUPPRESSION SYSTEM  
SECTION**





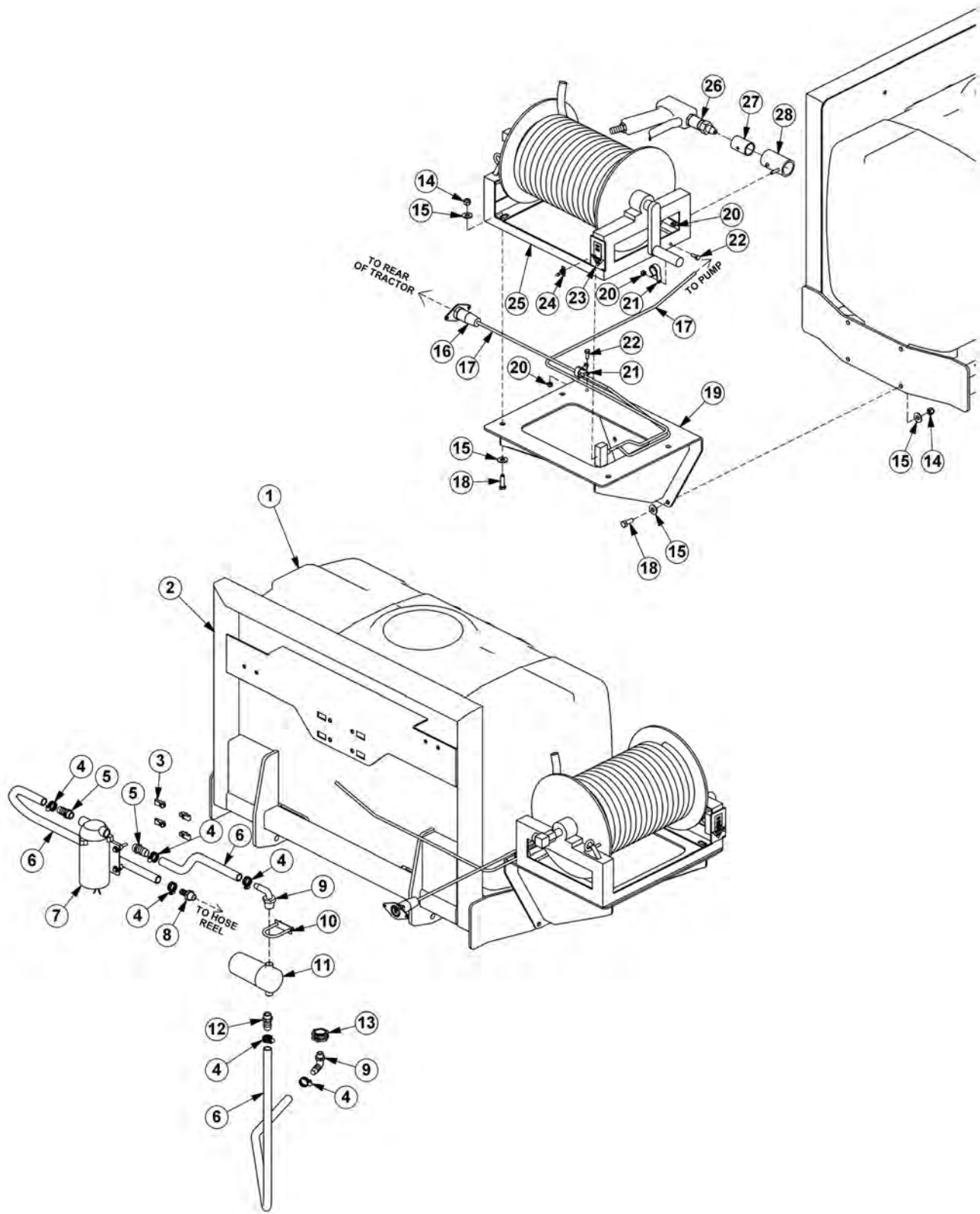
## FIRE SUPPRESSION 3-POINT MOUNT

Continued...

ITEM	PART NO.	QTY.	DESCRIPTION
1	06370137	1	MOUNT,3PNT,FIRE SYS
2	06503108	1	FITTING,1/2"BARB X 1/2"MP
3	35091	6	CLAMP,HOSE,#6
4	06520469	5	HOSE,1/2",BULK (FEET)
5	06503168	2	SWIVEL,1/2"STR,POLY
6	06520359	1	PUMP,LARGE
7	35176	4	U-NUT,1/4"
8	06520367	2	ELBOW,1/2"BARB X 1/2"MP,POLY
9	27329	1	U-BOLT,1/4"
10	06520361	1	FILTER
---	06520351	1	ELEMENT,FILTER
11	06520349	1	FITTING,BARB,HOSE
12	06503169	1	REDUCER,BUSHING (100 & 150 GALLON TANKS ONLY)
13	06520346	1	FITTING,BULKHEAD (50 GALLON TANKS ONLY)
14	21632	4	CAPSCREW,3/8" X 1-1/2",NC
15	21988	4	LOCKWASHER,3/8"
16	06520360	1	HOSE REEL
17	22016	4	FLATWASHER,3/8"
18	21627	4	NYLOCK NUT,3/8",NC
19	21529	2	CAPSCREW,1/4" X 3/4",NC
20	06510258	1	CLAMP,3/4"
21	22014	1	FLATWASHER,1/4"
22	21986	1	LOCKWASHER,1/4"
23	21525	2	HEX NUT,1/4",NC
24	06370121	1	HOLSTER
25	06430090	1	SLEEVE
26	06520366	1	GUN,FIRE SYS
27	6T3222	1	DECAL
28	21527	1	NYLOCK NUT,1/4",NC
29	06510257	1	CLAMP,3/8"
30	28055	5	WIRE,BLACK,14GA (FEET)
31	24200	5	WIRE,RED,14GA (FEET)
32	22802	5	WIRE WRAP (FEET)
33	PT3905A	1	SWITCH
34	06510256	4	CABLE,14GA,4WIRE (FEET)
35	06510255	1	PLUG,7PIN,TRCTR

COMMON SIDE ROTARY

# FIRE SUPPRESSION FRONT MOUNT



COMMON SIDE ROTARY

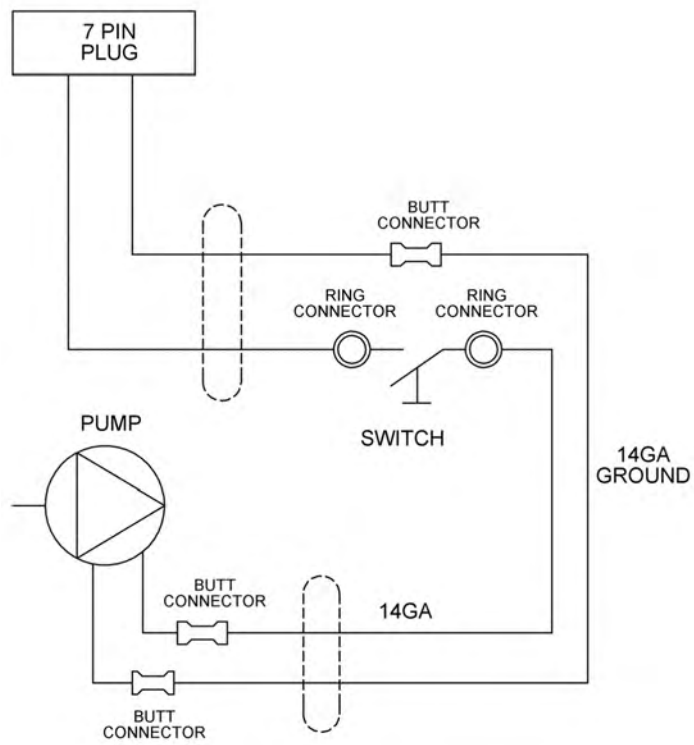
## FIRE SUPPRESSION FRONT MOUNT

Continued...

ITEM	PART NO.	QTY.	DESCRIPTION
1	06520342	1	TANK,50 GALLON
2	06370204	1	MNT,TANK,FRNT,50 GALLON
3	35176	4	U-NUT,1/4,3/4 TO CENTER
4	35091	6	CLAMP,HOSE,#6
5	06503168	2	SWIVEL,1/2 STR,POLY
6	06520469	8	HOSE,1/2,SPRAYER
7	06520359	1	PUMP,FIRE KIT
8	06503108	1	FITTING,1/2" BARB X 1/2"MP
9	06520367	2	ELBOW,1/2MPX1/2BARB,POLY
10	27329	1	U-BOLT,1/4X2X1
11	06520361	1	FILTER,FIRE KIT,RAILKUT
---	06520351	1	STRAINER,40 MESH
12	06520349	1	FITTING,BARB,HOSE,WETCUT
13	06520346	1	FITTING,BULKHEAD
14	21627	8	NYLOCK NUT,3/8 NC
15	22016	16	FLATWASHER,3/8,GR8
16	06510255	1	PLUG,7PIN,TRCTR
17	06510256	22	WIRE,14GA,4WIRE (FEET)
18	21631	8	CAPSCREW,3/8X1 1/4, NC,GR8
19	06370207	1	MNT,FIRE SUPPRESSION
20	21527	3	NYLOCK NUT,1/4 NC
21	06510257	2	CLAMP,3/8X1/4,INS
22	21529	2	CAPSCREW,1/4 X 3/4 NC
23	6T3222	1	DECAL,CONTROL,ON-OFF SWITCH
24	PT3905A	1	SWITCH,MOWER
25	06520360	1	HOSE REEL,FIRE KIT,RAILKUT
26	06520366	1	GUN,FIRE KIT,RAILKUT
27	06430090	1	SLEEVE,GUN,FIRE SYS
28	06370121	1	HOLSTER,FIRESYS,RAILKUT

COMMON SIDE ROTARY

# FIRE SUPPRESSION SYSTEM ELECTRICAL SCHEMATIC

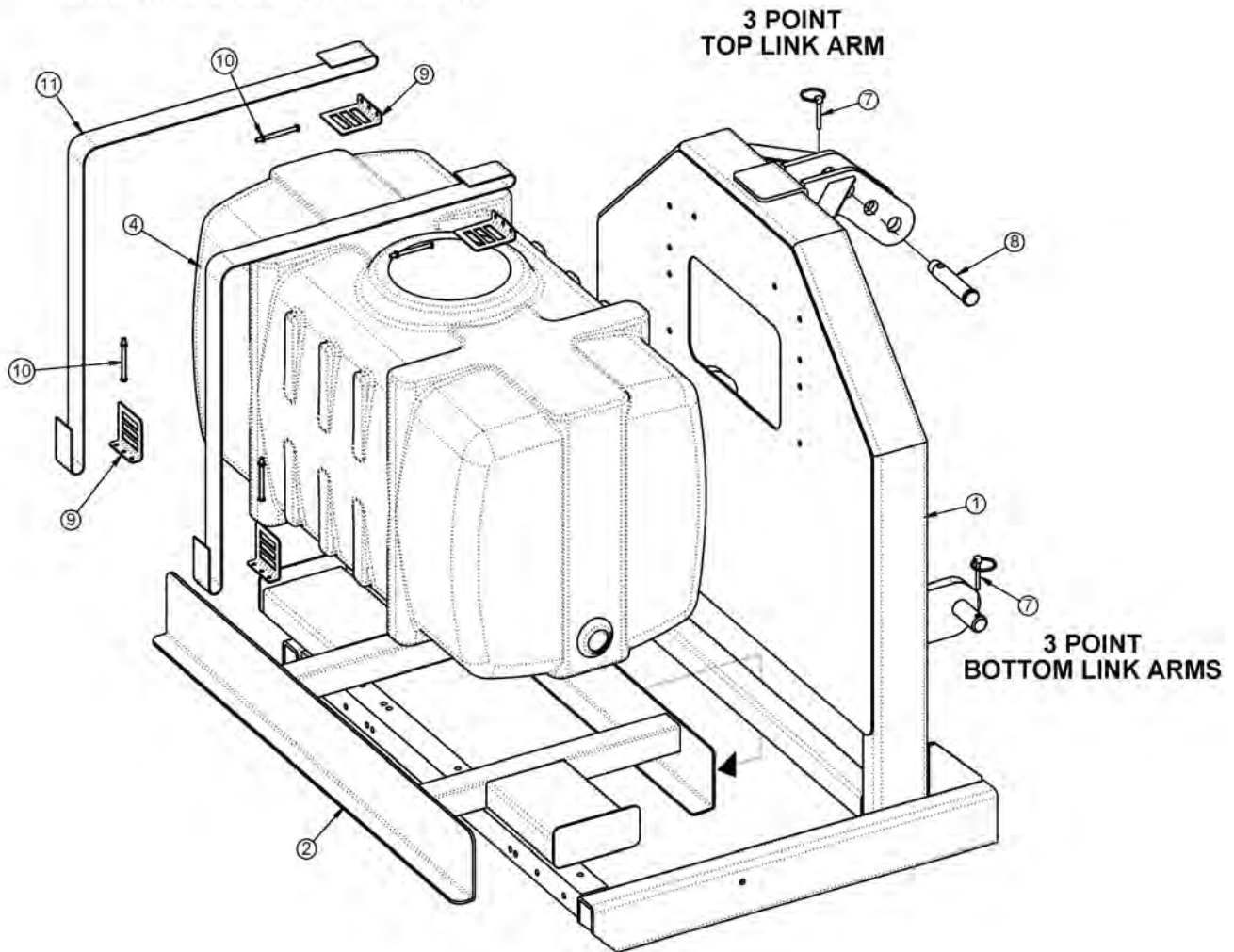


**WETCUT**

**WETCUT  
SECTION**

## WETCUT 50 GALLON TANK - 3PNT MOUNT

**INSTALL ITEM 2 INTO ITEM 1 FIRST**

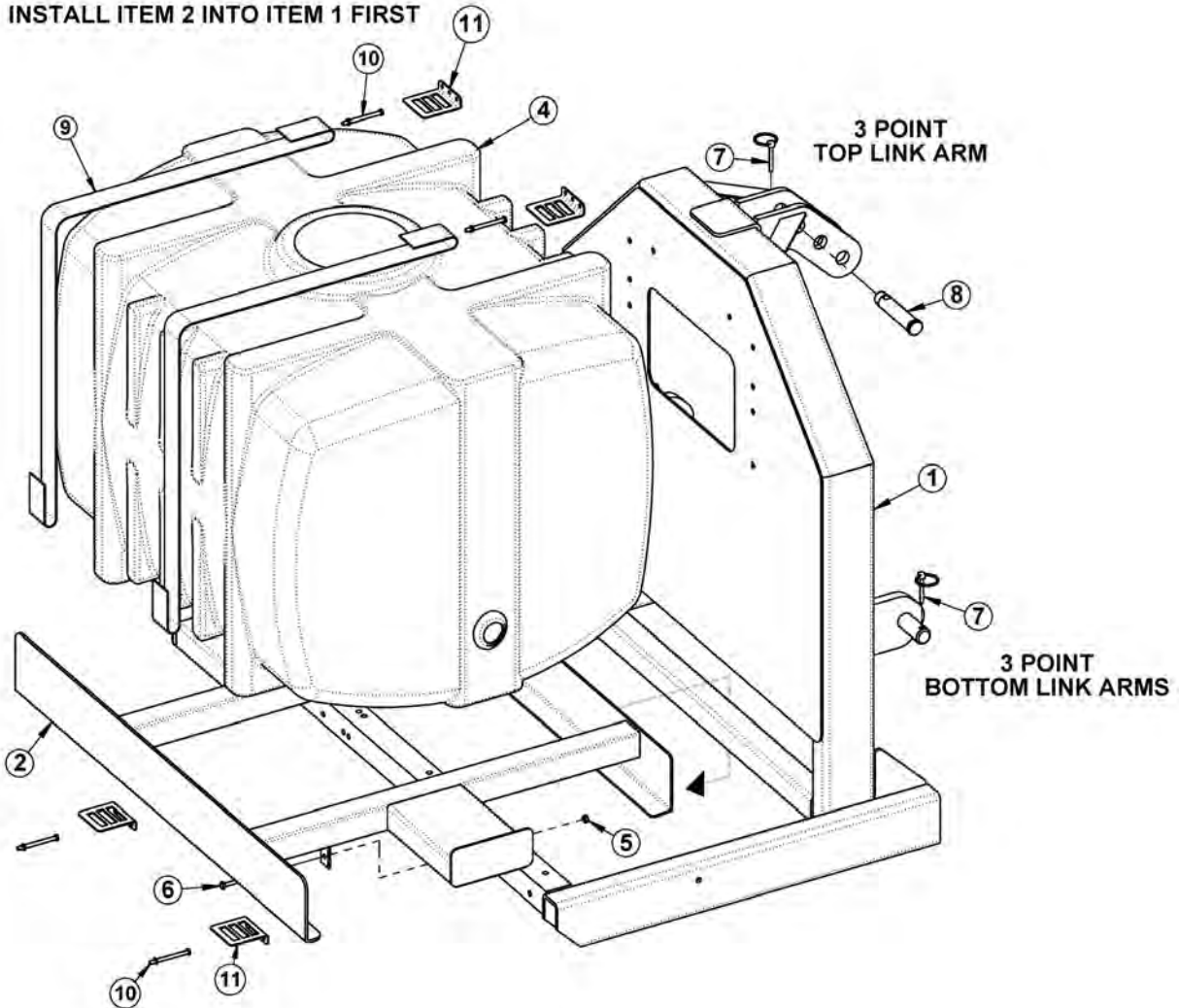


ITEM	PART NO.	QTY.	DESCRIPTION
1	06370128	1	MNT,3PNT,UNI
2	06370136	1	MNT,TANK,50GAL,WETCUT
4	06520342	1	TANK,50GA.,WETCUT
7	RD1032	3	PIN,LYNCH 1/4" X 2"
8	TB1036	1	PIN,SEC BOOM SWIV 1X4-11/16"
9	06520343	4	ANCHOR,STRAP,WETCUT
10	06520344	4	BOLT,STRAP,TANK,WETCUT
11	06520345	2	STRAP,TANK,WETCUT

COMMON SIDE ROTARY

## WETCUT 100 OR 150 GALLON TANK - 3PNT MOUNT

INSTALL ITEM 2 INTO ITEM 1 FIRST

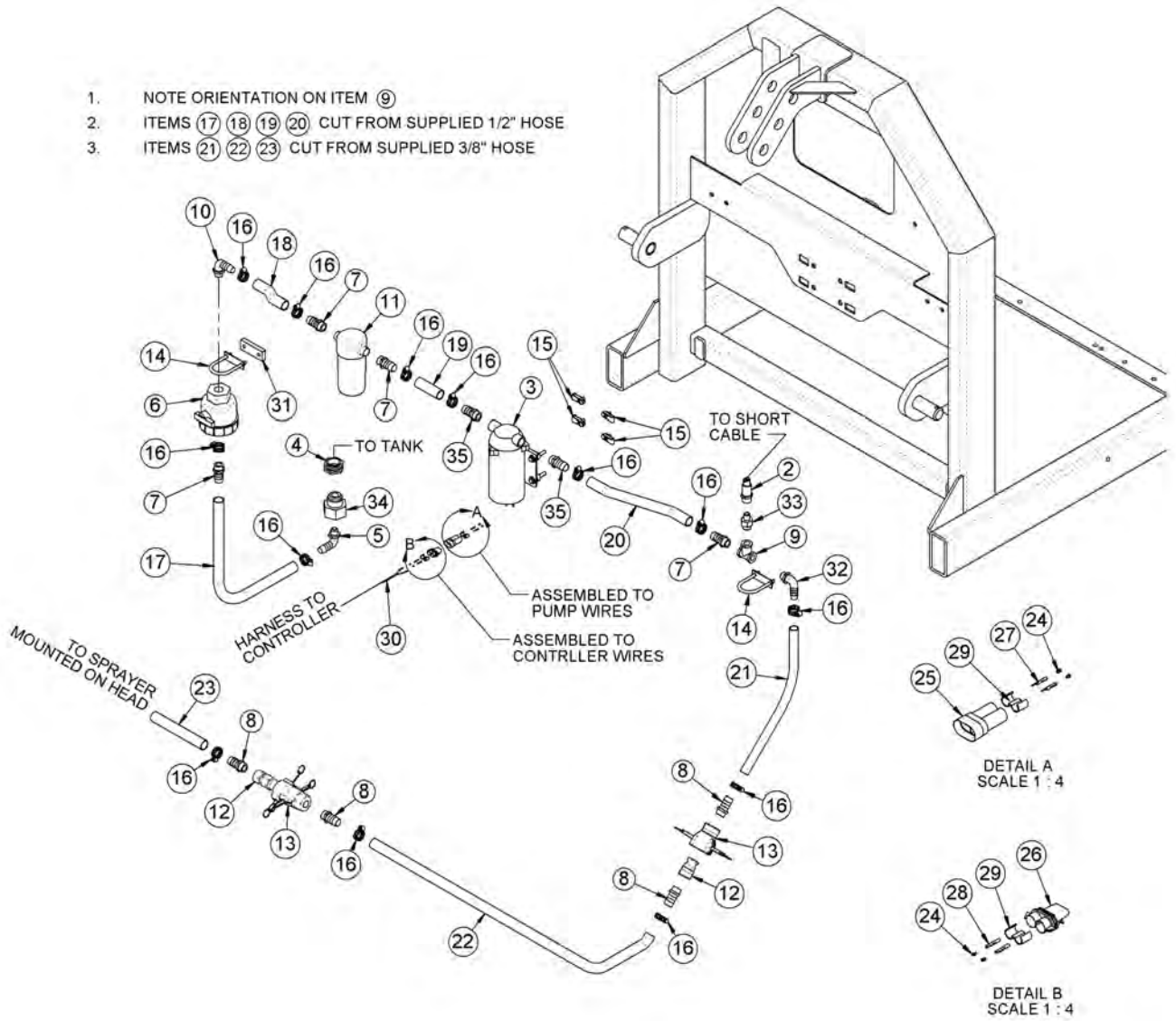


ITEM	PART NO.	QTY.	DESCRIPTION
1	06370128	1	MNT,3PNT,UNI
2	06370138	1	MNT,TANK,100GAL,WETCUT
-----	06370139	-	MNT,TANK,150GAL,WETCUT
4	06520372	1	TANK,100GA.,WETCUT
-----	06520373	-	TANK,150GA.,WETCUT
5	21527	2	HEX NUT,NYLOCK,1/4" NC
6	21530	2	CAPSCREW,1/4" X 1" NC
7	RD1032	3	PIN,LYNCH 1/4" X 2"
8	TB1036	1	PIN,SEC BOOM SWIV 1X4-11/16"
9	06520345	2	STRAP,TANK,WETCUT
10	06520344	4	BOLT,STRAP,TANK,WETCUT
11	06520343	4	ANCHOR,STRAP,WETCUT

COMMON SIDE ROTARY

# WETCUT 3PNT PLUMBING - 50IN MOWERS

1. NOTE ORIENTATION ON ITEM 9
2. ITEMS 17 18 19 20 CUT FROM SUPPLIED 1/2" HOSE
3. ITEMS 21 22 23 CUT FROM SUPPLIED 3/8" HOSE



COMMON SIDE ROTARY



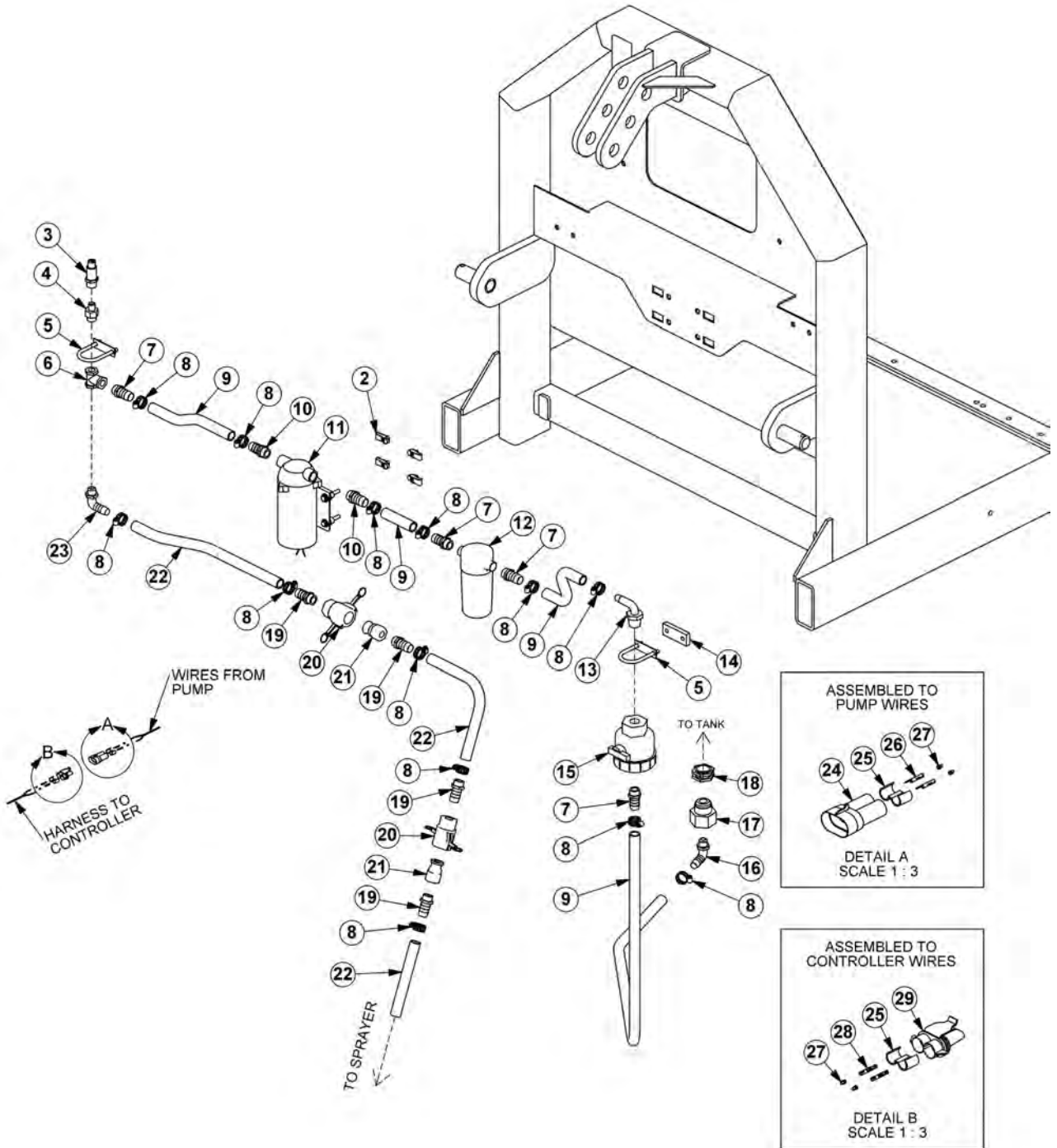
## WETCUT 3PNT PLUMBING - 50IN MOWERS

Continued...

ITEM	PART NO.	QTY.	DESCRIPTION
1	06370128	1	MNT,3PNT,UNI
2	06520336	1	CNTRLR,SENSOR,06520333
3	06520341	1	PUMP,WETCUT
4	06520346	1	FITTING,BULKHEAD,WETCUT (50 GALLON TANKS ONLY)
5	06520347	1	FITTING,ELBOW,WETCUT
6	06520348	1	VLV,BALL,WETCUT
7	06520349	4	FITTING,BARB,HOSE,WETCUT
8	06503173	4	FITTING,1/2MP X 3/8"BARB
9	06520353	1	FITTING,TEE,WETCUT
10	06520367	1	ELBOW,1/2" X 1/2"BARB,POLY
11	06520361	1	FILTER,FIRE KIT,RAILKUT
12	06520400	2	QUIK CPLR,MALE,1/2",WETCUT
13	06520401	2	QUIK CPLR,FEM,1/2",WETCUT
14	27329	2	U-BOLT,1/4" X 1" X 2"
15	35176	4	U-NUT,1/4",3/4" TO CENTER
16	35091	13	CLAMP, HOSE #6
17 - 20	06520469	5	1/2" HOSE (FEET)
21 - 23	06520316	-	3/8" HOSE (INCLUDED WITH SPRAYER)
24	06510051	4	SEAL,16-18GA,METPAK
25	06510052	1	CONN.,BODY,MALE,METRIPACK 150
26	06510053	1	CONN.,BODY,FEM,METRIPACK 150
27	06510054	2	TERMINAL,MALE,16/18GA.METPAK
28	06510055	2	TERMINAL,FEM,16/18GA.METPAK
29	06510056	2	TPA
30	06520337	1	INCLUDED WITH CONTROLLER
31	06401133	1	SPACER,Ø.31" X 1.75" X .38"
32	06503165	1	ELBOW,1/2"MP X 3/8"BARB
33	06520354	1	BUSHING,REDUCER,WETCUT
34	06503169	1	BUSHING,1"MP X 1/2"FP (100 & 150 GALLON TANKS ONLY)
35	06503176	2	FITTING,BARB,3/8"MP X 1/2"BARB

COMMON SIDE ROTARY

# WETCUT 3PNT PLUMBING - LARGE MOWERS



COMMON SIDE ROTARY

## WETCUT 3PNT PLUMBING - LARGE MOWERS

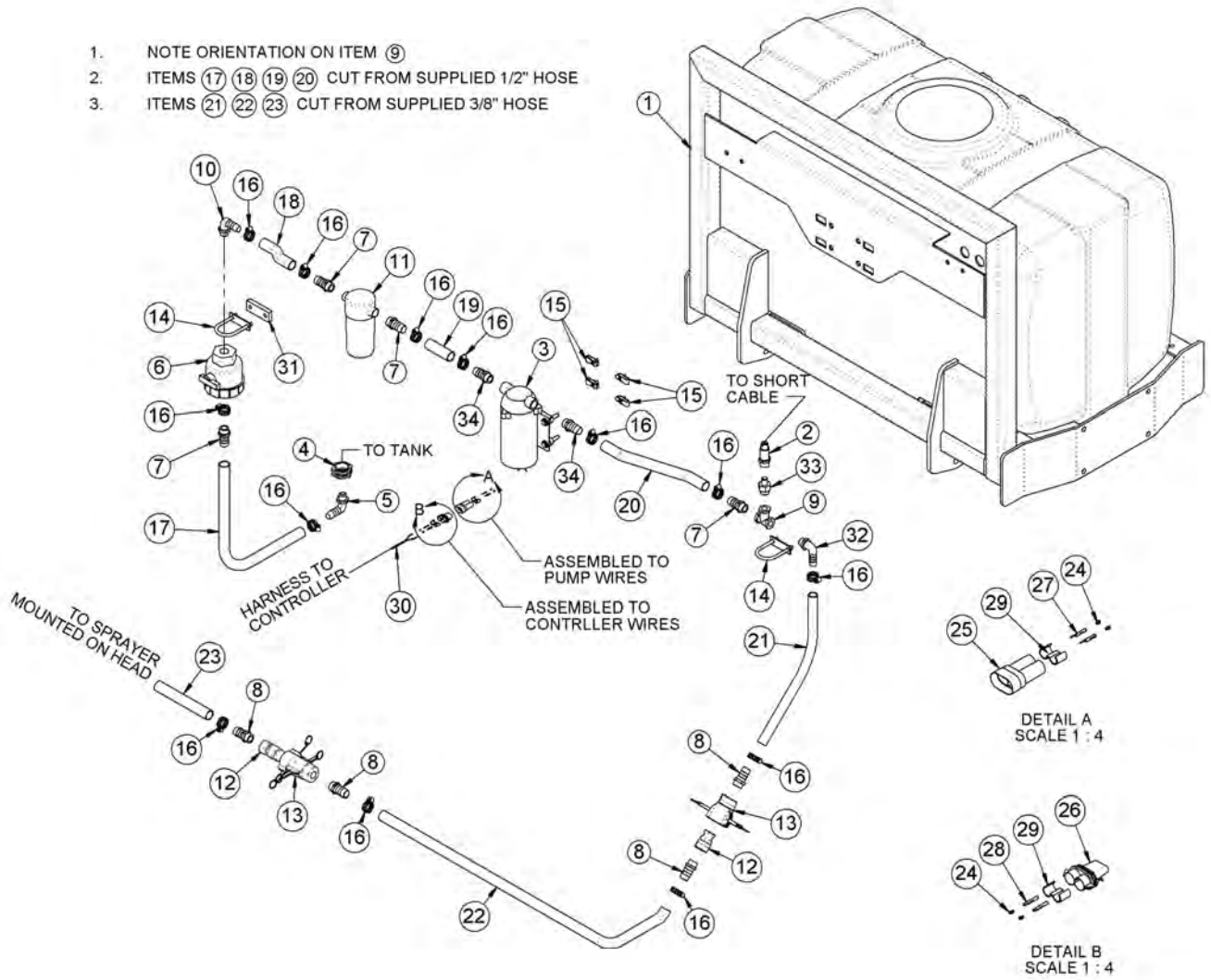
Continued...

ITEM	PART NO.	QTY.	DESCRIPTION
1	06370128	1	MNT,3PNT,UNI
2	35176	4	U-NUT,1/4,3/4 TO CENTER
3	06520336	1	CNTRLR,SENSOR,06520333
4	06520354	1	BUSHING,REDUCER,WETCUT
5	27329	2	U-BOLT,1/4" X 1" X 2"
6	06520353	1	FITTING,TEE,WETCUT
7	06520349	4	FITTING,BARB,HOSE,WETCUT
8	35091	13	CLAMP, HOSE #6
9	06520469	5	1/2" HOSE (FEET)
10	06503168	2	SWIVEL,1/2" STR
11	06520359	1	PUMP,LARGE
12	06520361	1	FILTER,FIRE KIT,RAILKUT
---	06520351	1	STRAINER,40MESH
13	06520367	1	ELBOW,1/2X1/2BARB,POLY
14	06401133	1	SPACER,Ø.31X1.75X.38
15	06520348	1	VLV,BALL,WETCUT
16	06520347	1	FITTING,ELBOW,WETCUT
17	06503169	1	BUSHING,1MPX1/2FP (100 & 150 GALLON TANKS ONLY)
18	06520346	1	FITTING,BULKHEAD,WETCUT (50 GALLON TANKS ONLY)
19	06503173	4	FITTING,BARB,1/2X3/8,WETCUT
20	06520401	2	QUIK CPLR,FEM,1/2,WETCUT
21	06520400	2	QUIK CPLR,MALE,1/2,WETCUT
22	06520316	-	3/8" HOSE (INCLUDED WITH SPRAYER)
23	06503165	1	ELBOW,1/2X3/8BARB,POLY
24	06510052	1	CONN.,BODY,MALE,METRIPACK 150
25	06510056	2	TPA
26	06510054	2	TERMINAL,MALE,16/18GA.METPAK
27	06510051	4	SEAL,16-18GA,METPAK
28	06510055	2	TERMINAL,FEM,16/18GA.METPAK
29	06510053	1	CONN.,BODY,FEM,METRIPACK 150

COMMON SIDE ROTARY

# WETCUT FRONT PLUMBING - 50IN MOWERS

1. NOTE ORIENTATION ON ITEM ⑨
2. ITEMS ⑰ ⑱ ⑲ ⑳ CUT FROM SUPPLIED 1/2" HOSE
3. ITEMS ㉑ ㉒ ㉓ CUT FROM SUPPLIED 3/8" HOSE



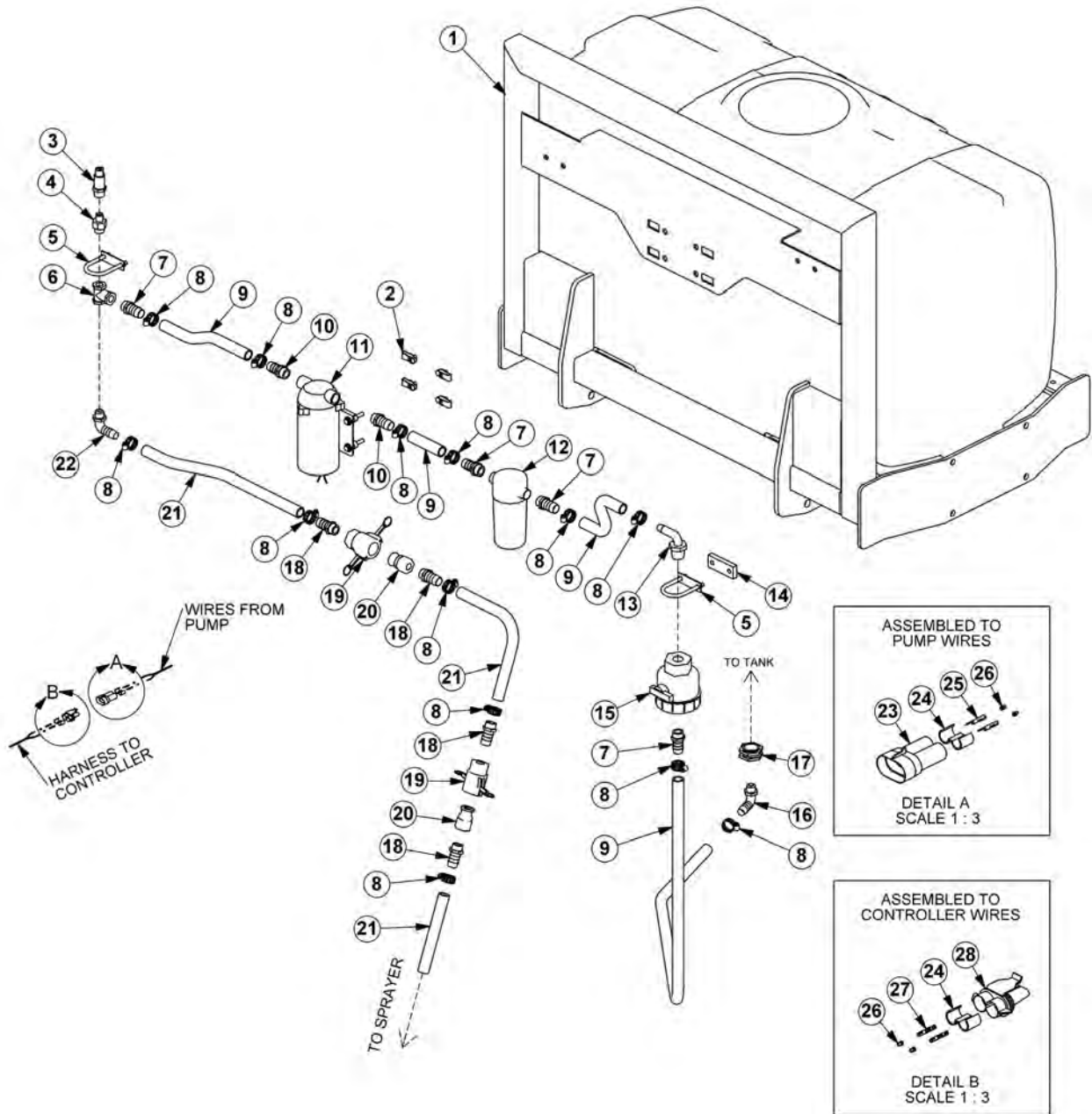
## WETCUT FRONT PLUMBING - 50IN MOWERS

Continued...

ITEM	PART NO.	QTY.	DESCRIPTION
1	06370204	1	MNT,FRONT,UNI
2	06520336	1	CNTRLR,SENSOR,06520333
3	06520341	1	PUMP,WETCUT
4	06520346	1	FITTING,BULKHEAD,WETCUT
5	06520347	1	FITTING,ELBOW,WETCUT
6	06520348	1	VLV,BALL,WETCUT
7	06520349	4	FITTING,BARB,HOSE,WETCUT
8	06503173	4	FITTING,1/2"MP X 3/8"BARB
9	06520353	1	FITTING,TEE,WETCUT
10	06520367	1	ELBOW,1/2"MP X 1/2"BARB,POLY
11	06520361	1	FILTER,FIRE KIT,RAILKUT
---	06520351	1	STRAINER,40MESH
12	06520400	2	QUIK CPLR,MALE,1/2",WETCUT
13	06520401	2	QUIK CPLR,FEM,1/2",WETCUT
14	27329	2	U-BOLT,1/4" X 1" X 2"
15	35176	4	U-NUT,1/4",3/4" TO CENTER
16	35091	13	CLAMP,HOSE #6
17 - 20	06520469	5	1/2" HOSE (FEET)
21 - 23	06520316	-	3/8" HOSE (INCLUDED WITH SPRAYER)
24	06510051	4	SEAL,16-18GA,METPAK
25	06510052	1	CONN.,BODY,MALE,METRIPACK 150
26	06510053	1	CONN.,BODY,FEM,METRIPACK 150
27	06510054	2	TERMINAL,MALE,16/18GA.METPAK
28	06510055	2	TERMINAL,FEM,16/18GA.METPAK
29	06510056	2	TPA
30	06520337	1	INCLUDED WITH CONTROLLER
31	06401133	1	SPACER,Ø.31" X 1.75" X .38"
32	06503165	1	ELBOW,1/2"MP X 3/8"BARB,POLY
33	06520354	1	BUSHING,REDUCER,WETCUT
34	06503176	2	FITTING,3/8"MP X 1/2"BARB

COMMON SIDE ROTARY

# WETCUT FRONT PLUMBING - LARGE MOWERS



COMMON SIDE ROTARY

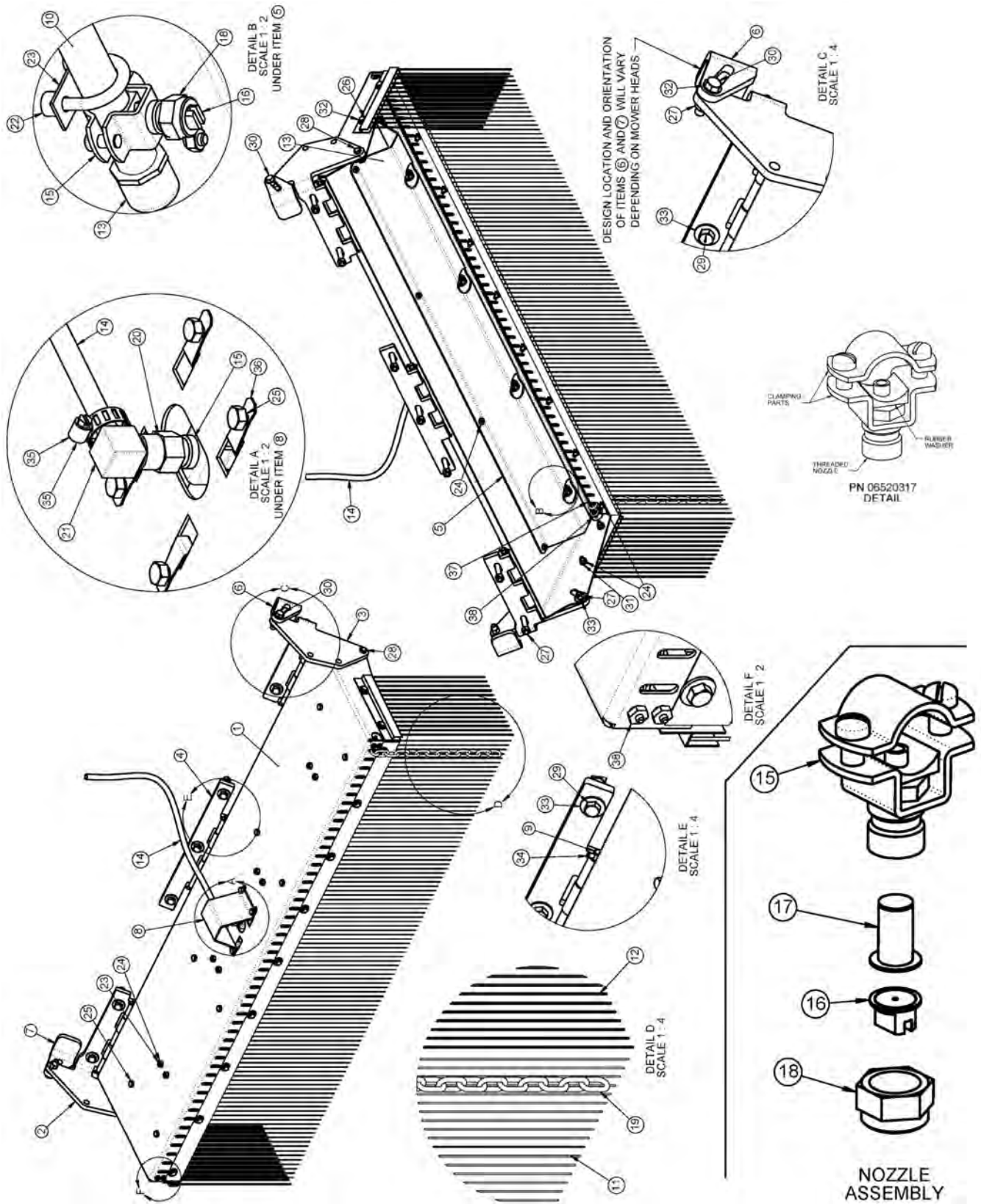
## WETCUT FRONT PLUMBING - LARGE MOWERS

Continued...

ITEM	PART NO.	QTY.	DESCRIPTION
1	06370204	1	MNT,FRONT,UNIV
2	35176	4	U-NUT,1/4,3/4 TO CENTER
3	06520336	1	CNTRLR,SENSOR,06520333
4	06520354	1	BUSHING,REDUCER,WETCUT
5	27329	2	U-BOLT,1/4" X 1" X 2"
6	06520353	1	FITTING,TEE,WETCUT
7	06520349	4	FITTING,BARB,HOSE,WETCUT
8	35091	13	CLAMP, HOSE #6
9	06520469	5	1/2" HOSE (FEET)
10	06503168	2	SWIVEL,1/2" STR
11	06520359	1	PUMP,LARGE
12	06520361	1	FILTER,FIRE KIT,RAILKUT
---	06520351	1	STRAINER,40MESH
13	06520367	1	ELBOW,1/2X1/2BARB,POLY
14	06401133	1	SPACER,Ø.31X1.75X.38
15	06520348	1	VLV,BALL,WETCUT
16	06520347	1	FITTING,ELBOW,WETCUT
17	06520346	1	FITTING,BULKHEAD,WETCUT
18	06503173	4	FITTING,BARB,1/2X3/8,WETCUT
19	06520401	2	QUIK CPLR,FEM,1/2,WETCUT
20	06520400	2	QUIK CPLR,MALE,1/2,WETCUT
21	06520316	-	3/8" HOSE (INCLUDED WITH SPRAYER)
22	06503165	1	ELBOW,1/2X3/8BARB,POLY
23	06510052	1	CONN.,BODY,MALE,METRIPACK 150
24	06510056	2	TPA
25	06510054	2	TERMINAL,MALE,16/18GA.METPAK
26	06510051	4	SEAL,16-18GA,METPAK
27	06510055	2	TERMINAL,FEM,16/18GA.METPAK
28	06510053	1	CONN.,BODY,FEM,METRIPACK 150

COMMON SIDE ROTARY

# WETCUT 50IN SPRAYER HEAD ASSEMBLY



COMMON SIDE ROTARY



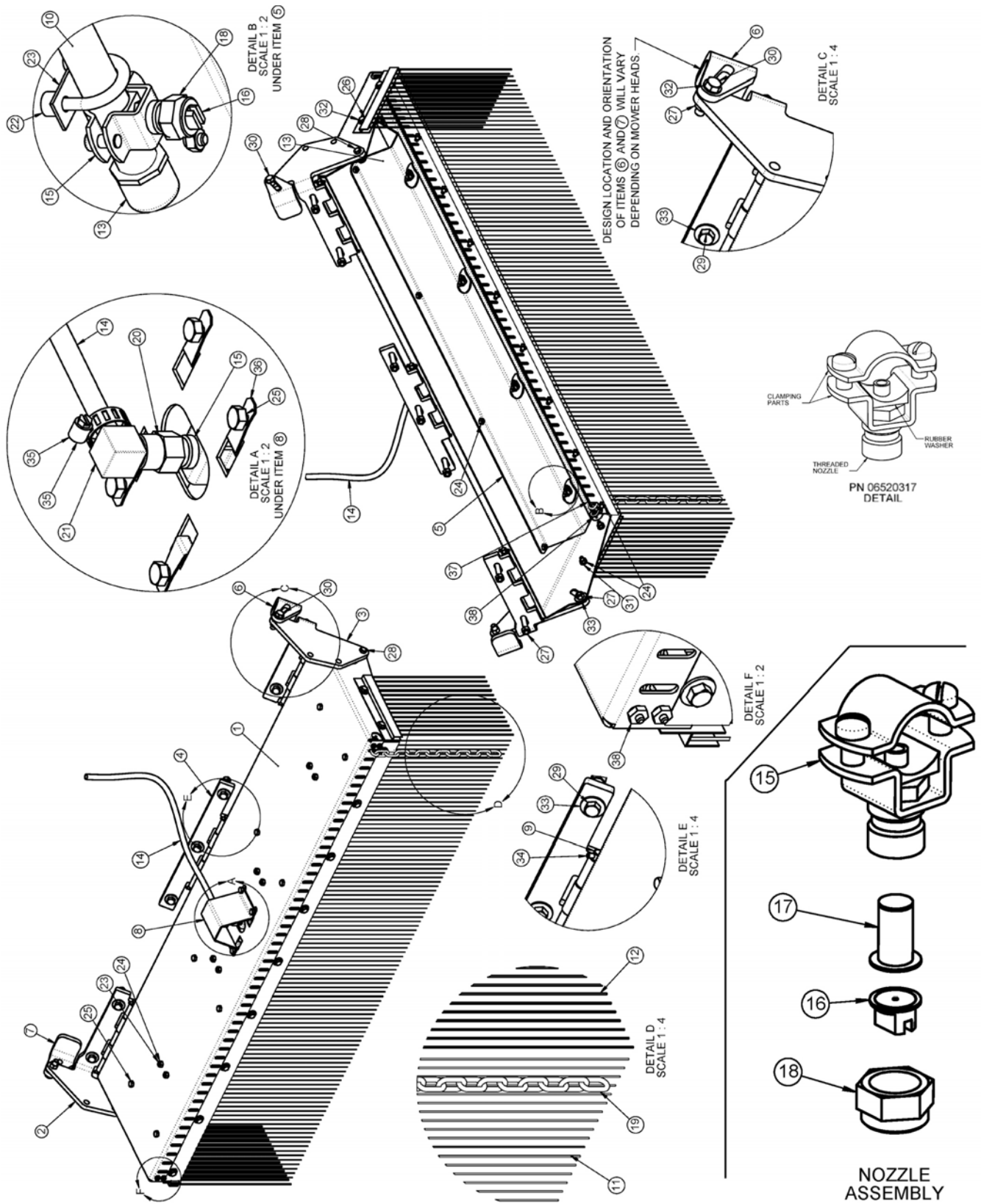
## WETCUT 50IN SPRAYER HEAD ASSEMBLY

Continued...

ITEM	PART NO.	QTY.	DESCRIPTION
1	06370105	1	HOOD,SPRAYER
2	06370106	1	HINGE,LH,SPRAYER
3	06370107	1	HINGE,RH,SPRAYER
4	06370108	1	HINGE,CNTR,SPRAYER
5	06410668	1	GUARD,SPRAYER,WETCUT
6	06410753	1	MNT,RH,WET CUT (FLAIL)
---	06410942	1	MNT,RH,WET CUT (ROTARY)
7	06410754	1	MNT,LH,WET CUT (FLAIL)
---	06410943	1	MNT,LH,WET CUT (ROTARY)
8	06410796	1	GUARD,HOSE,WETCUT
9	06420069	3	PIN,HINGE,WET CUT
10	06497003	1	TUBE,LG,SPRAYER
11	06499012	1	SKIRT,ANTI SPRAY,50
12	06499013	2	SKIRT,ANTI SPRAY,7
13	06520314	2	TUBE,CAP,SPRAYER
14	06520316	15	HOSE,SPRAYER (FEET)
15	06520317	5	NOZZLE,SPRAYER
16	06520319	4	TIP,NOZZLE,SPRAYER
17	06520320	4	FILTER,NOZZLE,SPRAYER
18	06520321	4	NUT,NOZZLE,SPRAYER
19	06520322	49	CHAIN,.18" X 1.31" X 13LINKS
20	06520381	1	ADAPTER,1/4"NPT,WETCUT
21	06520382	1	ELBOW,BARB,3/8" X 1/4"NPT
22	06520383	8	SPACER,.50"O.D. X .252" I.D. X .38",NYLON
23	32550	4	U-BOLT,1/4" X 1" X 1" X 1-3/4"
24	21527	29	HEX NUT,NYLOCK,1/4",NC
25	21528	12	CAPSCREW,1/4" X 1/2",NC
26	21529	13	CAPSCREW,1/4" X 3/4",NC
27	21625	11	HEX NUT,3/8",NC
28	21630	2	CAPSCREW,3/8" X 1",NC
29	21634	7	CAPSCREW,3/8" X 2",NC
30	21632	2	CAPSCREW,3/8" X 1-1/2",NC
31	21986	4	LOCKWASHER,1/4"
32	22014	15	FLATWASHER,1/4"
33	22016	9	FLATWASHER,3/8",GR8
34	34698	6	ROLL PIN, PLAIN, 3/16" X 7/8"
35	35091	1	CLAMP,HOSE #6
36	35176	4	U-NUT,1/4",3/4" TO CENTER
37	06520376	5	CABLE,3/16"
38	06537022	2	U-BOLT,CABLE,3/16"

COMMON SIDE ROTARY

# WETCUT 60IN SPRAYER HEAD ASSEMBLY



COMMON SIDE ROTARY

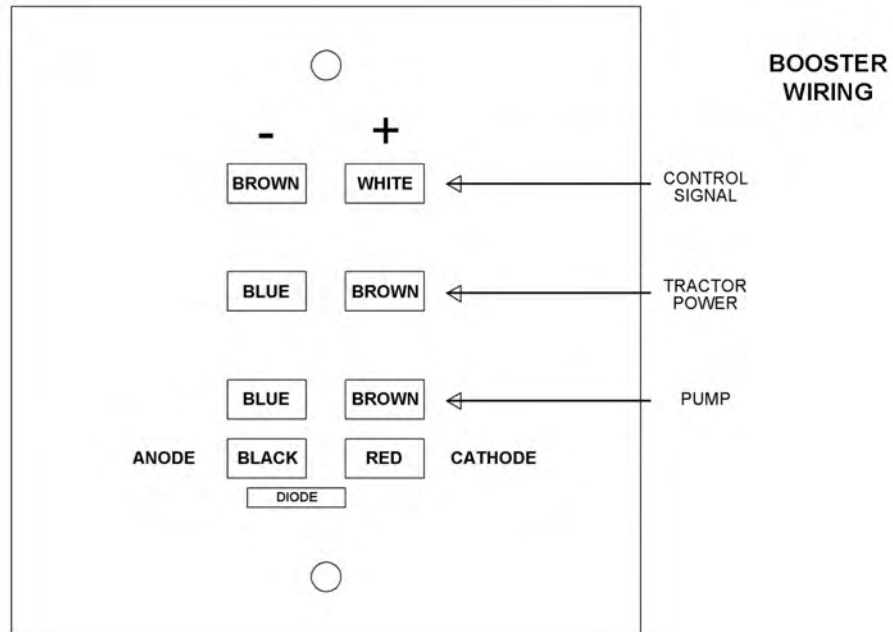
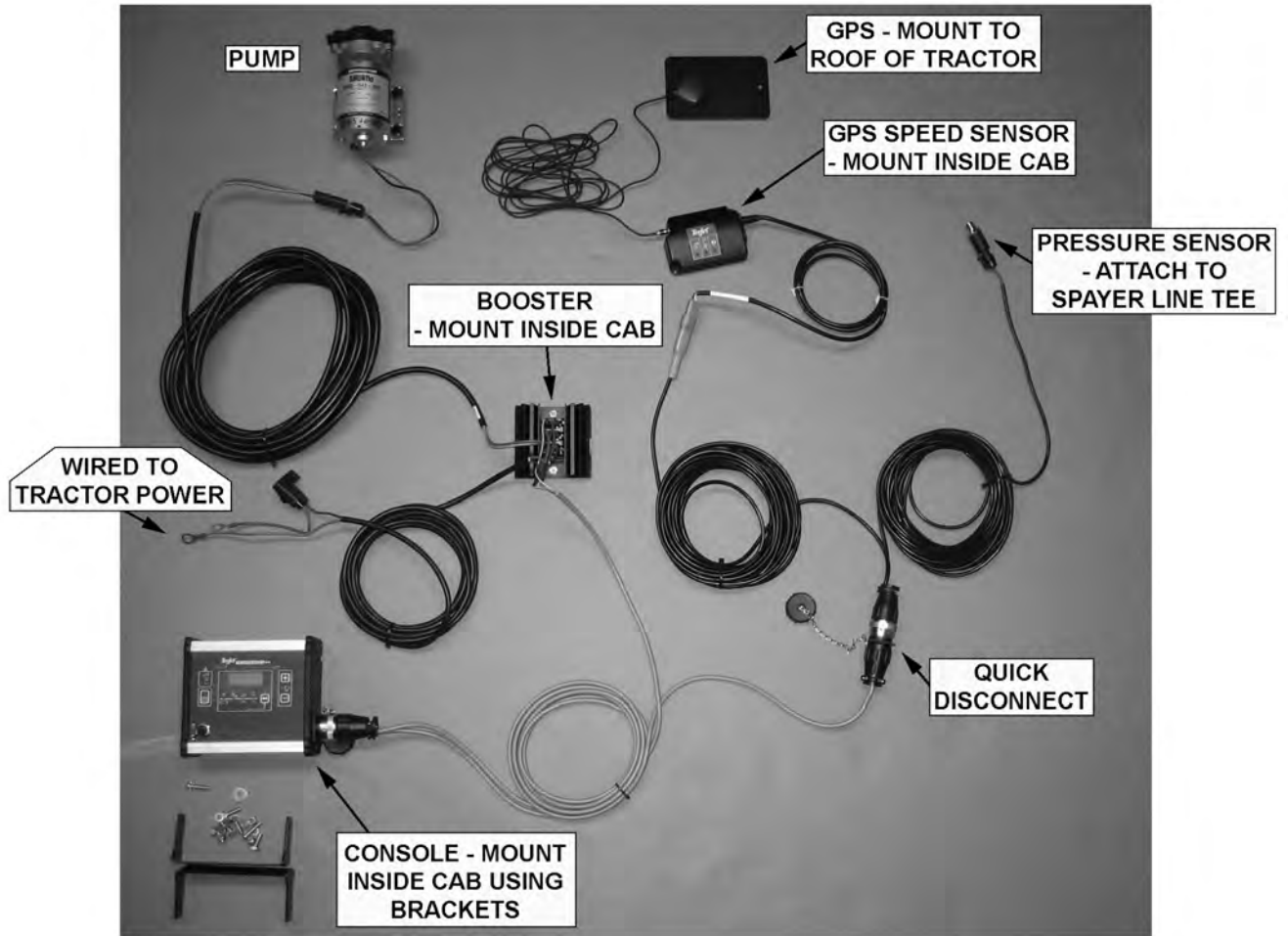
## WETCUT 60IN SPRAYER HEAD ASSEMBLY

Continued...

ITEM	PART NO.	QTY.	DESCRIPTION
1	06370210	1	HOOD,SPRAYER
2	06370106	1	HINGE,LH,SPRAYER
3	06370107	1	HINGE,RH,SPRAYER
4	06370108	1	HINGE,CNTR,SPRAYER
5	06411234	1	GUARD,SPRAYER,WETCUT
6	06410753	1	MNT,RH,WET CUT (FLAIL)
---	06410942	1	MNT,RH,WET CUT (ROTARY)
7	06410754	1	MNT,LH,WET CUT (FLAIL)
---	06410943	1	MNT,LH,WET CUT (ROTARY)
8	06410796	1	GUARD,HOSE,WETCUT
9	06420069	3	PIN,HINGE,WET CUT
10	06497009	1	TUBE,LG,SPRAYER
11	06499018	1	SKIRT,ANTI SPRAY,60
12	06499013	2	SKIRT,ANTI SPRAY,7
13	06520314	2	TUBE,CAP,SPRAYER
14	06520316	15	HOSE,SPRAYER (FEET)
15	06520317	6	NOZZLE,SPRAYER
16	06520319	5	TIP,NOZZLE,SPRAYER
17	06520320	5	FILTER,NOZZLE,SPRAYER
18	06520321	5	NUT,NOZZLE,SPRAYER
19	06520322	61	CHAIN,.18" X 1.31" X 13LINKS
20	06520381	1	ADAPTER,1/4"NPT,WETCUT
21	06520382	1	ELBOW,BARB,3/8" X 1/4"NPT
22	06520383	10	SPACER,.50"O.D. X .252" I.D. X .38",NYLON
23	32550	5	U-BOLT,1/4" X 1" X 1" X 1-3/4"
24	21527	33	HEX NUT,NYLOCK,1/4",NC
25	21528	15	CAPSCREW,1/4" X 1/2",NC
26	21529	13	CAPSCREW,1/4" X 3/4",NC
27	21625	13	HEX NUT,3/8",NC
28	21630	2	CAPSCREW,3/8" X 1",NC
29	21634	7	CAPSCREW,3/8" X 2",NC
30	21632	4	CAPSCREW,3/8" X 1-1/2",NC
31	21986	4	LOCKWASHER,1/4"
32	22014	33	FLATWASHER,1/4"
33	22016	11	FLATWASHER,3/8",GR8
34	34698	6	ROLL PIN, PLAIN, 3/16" X 7/8"
35	35091	1	CLAMP,HOSE #6
36	35176	4	U-NUT,1/4",3/4" TO CENTER
37	06520376	6	CABLE,3/16" (FEET)
38	06537022	2	U-BOLT,CABLE,3/16"

COMMON SIDE ROTARY

# WETCUT CABLES



**WARRANTY  
SECTION**



## WARRANTY INFORMATION

Tiger Corporation, 3301 N. Louise, Sioux Falls, South Dakota, warrants to the original Retail Customer, the new Tiger equipment is free of defects in material and workmanship. Any part of equipment that in Tiger's judgement, show evidence of such defects will be repaired or replaced without charge, provided that the failure of part(s) shall have occurred within twelve (12) months from the date of delivery of said equipment to the Retail Customer. Expendable components such as knives, oil, chain sprockets, skid shoes, knife mounting disks and the like are excluded but not limited to this warranty.

The Retail Customer must pay the transportation cost to and from the Tiger Dealer's service shop for warranty service. Warranty service will be performed by the Tiger Dealer from whom the equipment was purchased, during service shop regularly scheduled days and hours of operation.

All Tiger obligation under this warranty shall be terminated if the equipment is modified or altered in ways not approved in writing by Tiger, if repair parts other than genuine Tiger repair parts have been used, or if the equipment has been subject to misuse, neglect, accident, improper maintenance or improper operation.

Tiger Corporation reserves the right to make improvements in design or changes in specification at any time without incurring any obligation to owners of equipment previously sold.

No agent or person has authority to alter, add to or waive the above warranties which are agreed to be in the only warranties, representations or promises, expressed or implied, as to the quality or performance of the products covered and which do not include any implied warranty of merchantability or fitness. In no event will Tiger be liable for incidental or consequential damages or injuries, including, but not limited to, loss of profits, rental or substitute equipment or other commercial loss.

**THERE ARE NO WARRANTIES WHICH EXTEND  
BEYOND THOSE EXPRESSED HEREIN.**

It is the Purchasers obligation to sign the warranty registration form **AFTER** he / she has Read and Understands the Operation and Safety Instructions stated within this manual.

## **ONE LAST WORD**

This manual cannot possibly cover all of the potentially hazardous situations you will encounter. By being familiar with the safety rules, operating and maintenance instructions in this manual you can help prevent accidents. The objective of this manual is to help make you a better operator. Remember, **SAFETY IS YOU!**



1012

Your safety and the safety of those around you depends on **YOU**. Common sense should play a large role in the operation of this machine.

Since we at Tiger Corporation are constantly striving to improve our products, we reserve the right to change specifications or design at any time.



## TO THE OWNER / OPERATOR / DEALER



To keep your implement running efficiently and safely, read your manual thoroughly and follow these directions and the Safety Messages in this manual and on the machine. The table of contents clearly identifies each section where you can easily find the information you need.

The Occupational Safety and Health Act (OSHA 1928.51 subpart C) makes the following minimum requirements for tractor operators.

### **OWNER REQUIREMENTS:**

1. Provide a Roll-Over-Protective Structure that meets the requirements of this Standard; and
2. Provide Seatbelts that meet the requirements of this Standard and SAE J3C; and
3. Ensure that each employee uses such Seatbelt while the tractor is moving; and
4. Ensure that each employee tightens the Seatbelt sufficiently to confine the employee to the protected area provided by the ROPS.

### **OPERATOR REQUIREMENTS:**

1. Securely fasten seatbelt if the tractor has a ROPS.
2. Where possible, avoid operating the tractor near steep ditches, embankments, and holes.
3. Reduce speed when turning, crossing slopes, and on rough, slick, or muddy surfaces.
4. Stay off slopes too steep for safe operation.
5. Watch where you are going – especially at row ends, on roads, and around trees.
6. Do Not permit others to ride.
7. Operate the tractor smoothly – no jerky turns, starts, or stops.
8. Hitch only to the draw-bar and hitch points recommended by the tractor manufacturer.
9. When the tractor is stopped, set brakes securely and use park lock, if available



Printed in USA  
© Tiger Corporation