



BENGAL BOOM W/ BUMPER TANK

RÖÎ FI €T

Ô` !!^) áæ Á Á-ÉBCDEFI



Úœÿvùášòivø ð õá øP
T UWPVø ð õá øP õáúòüœvø ð õ
ø ùvüwônøP ð ù

Tiger Corporation
HHEFÁ P ÈŠÏ ÿ ã ^ Á Ç ^ È
Ù ã ÿ ç Á Ç ð • È Ù Ö Á Ì F È Ì
1-800-843-6849
1-605-336-7900
www.tiger-mowers.com
© Á á ^ ! Á Ô [!] [! æ æ }

06011028

TO THE OWNER / OPERATOR / DEALER

01/11 | 1 { } • Á 201 [çā * Á æ• Áæ^Á [ç) çæ^ Áæ æá [• 2011 @ 1^ Á Á [Á ~ à • ç ç Á Á Áæ æ ç ~ É
 • æ É ç á^ á Á] ^ í æ í Á @ Á Á & * } á^ • Á @ Á [ç) çæ^ Áæ æá • ç æ á Á || , • Á æ [} æ í Á æ ç Á í æ ç Á • É
 V @ Á æ ~ æ ç í Á Áæ Á • á } ^ á Á @ Á] | { } 01 Á Á Á • á Á 2011 / Á Á æ ç Á ~ ç { } 01 [] ^ í
 æ æ ç á Á Á ç á á^ á @ Á & Á Á æ ç Á } • É

BEFORE YOU START!! Ü^ æ á @ Á æ ç Á ^ • æ ^ Á } Á @ Á] | { } ç æ á Á @ , } Á @ Á ç ~ æ É
 U à • ^ í ç Á @ Á ~ | • Á Á æ ç Á ç á Á • ^ Á { { } Á ^ } • ^ Á

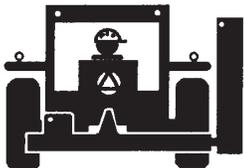
READ AND UNDERSTAND THIS MANUAL! Non-English speaking operators will need to GET THE MANUAL TRANSLATED as needed!

DANGER

FAILING TO FOLLOW SAFETY MESSAGES AND OPERATING INSTRUCTIONS CAN CAUSE SERIOUS BODILY INJURY OR EVEN DEATH TO OPERATOR AND OTHERS IN THE AREA.

<p>1.</p> 	<p>2. NO RIDERS. NO CHILDREN OPERATORS.</p> 	<p>3. USE SAFETY SHOES, HARD HAT, SAFETY GLASSES, SEAT BELTS, ROPS & OPS</p> 	<p>4. BLOCK UP SECURELY BEFORE WORKING UNDER.</p> 
---	---	---	---

- Study and understand Operator's Manuals, Safety Decals, and Instructional Decals for tractor and implement to prevent misuse, abuse, and accidents. Practice before operating in a confined area or near passersby.
 - Learn how to stop engine suddenly in an emergency. Be alert for passersby and especially children
- Allow no children on or near folding mower or tractor. Allow no riders on tractor or implement. Falling off may cause serious injury or death from being run over by tractor or mower or contact with rotating blades.
- Operate only with tractor having Roll-Over Protective Structure (ROPS) and with seat belt securely fastened to prevent injury and possible death from falling off or tractor overturn.
 - Personal Protective Equipment such as Hard Hat, Safety Glasses, Safety Shoes, & Ear Plugs are recommended.
- Block up or support raised machine and all lifted components securely before putting hands or feet under or working underneath any lifted component to prevent crushing injury or death from sudden dropping or inadvertent operation of controls. Make certain area is clear before lowering or folding
- Before transporting, put Lift Lever in detent or full-lift position. Install Transport Safety Devices securely on folding mowers. Put Booms securely in Transport Rest.
 - Folding and Boom Mowers have raised center of gravity. Slow down when turning and on hillsides.
- Make certain that SMV sign, warning lights, and reflectors are clearly visible. Follow local traffic codes.
- Never operate with Cutting Head or Folding Section raised if passersby, bystanders, or traffic are in the area to reduce possibility of injury or death from objects thrown by Blades under Guards or mower structure.
- Before dismounting, secure implement in transport position or lower to ground.
 - Put tractor in park or set brake, disengage PTO, stop engine, remove key, and wait until noise of rotation has ceased to prevent crushing by entanglement in rotating parts which could cause injury or death.
 - Never mount or dismount a moving vehicle. Crushing from rollover may cause serious injury or death.

<p>5. TRANSPORT SAFELY, LOCK UP.</p> 	<p>6. USE SMV, LIGHTS, & REFLECTORS.</p> 	<p>7. DO NOT OPERATE WITH CUTTER OR WING RAISED.</p> 	<p>8. DO NOT MOUNT OR DISMOUNT WHILE MOVING.</p> 
--	--	---	--

Warranty Information: Read and understand the complete Warranty Statement found in this manual. Fill out the Warranty Registration form in full and return it within 90 days. Make certain the Serial Number of the machine is recorded on the Warranty Card, and form that you retain.

FORWARD

This manual contains information about many features of the Tiger mowing and roadside maintenance equipment. Some of these include: Safety precautions, Assembly instructions, Operations, Maintenance and Parts. This manual will also assist you in the proper break-in, daily care, and troubleshooting of your new mower.

We recommend that you read carefully the entire manual before operating the unit. Also, time spent in becoming fully acquainted with its performance features, adjustments, and maintenance schedules will be repaid in a long and satisfactory life of the equipment.

Troubleshooting - Please, before you call, help us to help you!

Please look at the equipment to observe what is happening, then:

- Classify the problem
 - Hydraulic, electrical or mechanical - Read the trouble shooting section
 - Tractor or Truck chassis - Contact vehicle dealer

- If unable to correct the problem yourself, contact your local Tiger Dealer after gathering:
 - Machine model _____
 - Serial number _____
 - Dealer name _____
 - Detailed information about the problem including results of troubleshooting

Attention Owner / Operator / Dealer: It is your obligation to read, and understand, the warranty information section located at the back of this manual denoting that the purchaser understands the safety issues relating to this machine and has received and will read a copy of this manual.

If at any time, you have a service problem with your Tiger mower, Contact your local dealer for service and parts needed.

MANUFACTURED BY:

Tiger Corporation

3301 N. Louise Ave.

Sioux Falls, SD 57107

1-800-843-6849

1-605-336-7900

www.tiger-mowers.com

DISTRIBUTED BY:

1- _____ - _____ - _____

1- _____ - _____ - _____

TABLE OF CONTENTS

SAFETY SECTION_____	1
ASSEMBLY / MOUNTING SECTION_____	2
OPERATION SECTION_____	3
MAINTENANCE SECTION_____	4
PARTS SECTION_____	5
COMMON PARTS SECTION_____	6
WARRANTY INFORMATION_____	7



1012

This symbol means:

CAUTION – YOUR SAFETY IS AT RISK!

When you see this symbol, read and follow the associated instructions carefully or personal injury or damage may result.

Tiger is a registered trademark.



SAFETY

SAFETY SECTION

SAFETY

General Safety Instructions and Practices

A safe and careful operator is the best operator. Safety is of primary importance to the manufacturer and should be to the owner / operator. Most accidents can be avoided by being aware of your equipment, your surroundings, and observing certain precautions. The first section of this manual includes a list of Safety Messages that, if followed, will help protect the operator and bystanders from injury or death. Read and understand these Safety Messages before assembling, operating or servicing this mower. This equipment should only be operated by those persons who have read the Manual, who are responsible and trained, and who know how to do so safely and responsibly.



1000

The Safety Alert Symbol combined with a Signal Word, as seen below, is used throughout this manual and on decals which are attached to the equipment. The Safety Alert Symbol means: “**ATTENTION! BECOME ALERT! YOUR SAFETY IS INVOLVED!**” The symbol and signal word are intended to warn the owner / operator of impending hazards and the degree of possible injury when operating this equipment.

Practice all usual and customary safe working precautions and above all -- remember safety is up to YOU! Only YOU can prevent serious injury or death from unsafe practices.

DANGER!



Indicates an imminently hazardous situation that, if not avoided, WILL result in DEATH OR VERY SERIOUS INJURY.

WARNING!



Indicates an imminently hazardous situation that, if not avoided, COULD result in DEATH OR SERIOUS INJURY.

CAUTION!



Indicates an imminently hazardous situation that, if not avoided, MAY result in MINOR INJURY.

IMPORTANT!

Identifies special instructions or procedures that, if not strictly observed, could result in damage to, or destruction of the machine, attachments or the environment.

NOTE: *Identifies points of particular interest for more efficient or convenient operation or repair.* (SG-1)

READ, UNDERSTAND, and FOLLOW the following Safety Messages. Serious injury or death may occur unless care is taken to follow the warnings and instructions stated in the Safety Messages. Always use good common sense to avoid hazards. (SG-2)

SAFETY INSTRUCTIONS



SAFETY

PELIGRO!



Si no lee Ingles, pida ayuda a alguien que si lo lea para que le traduzca las medidas de seguridad. (SG-3)



¡ LEA EL INSTRUCTIVO!

DANGER!



Never operate the Tractor or Implement until you have read and completely understand this Manual, the Tractor Operator's Manual, and each of the Safety Messages found in the Manual or on the Tractor and Implement. Learn how to stop the tractor engine suddenly in an emergency. Never allow inexperienced or untrained personnel to operate the Tractor and Implement without supervision. Make sure the operator has fully read and understood the manuals prior to operation. (SG-4)



WARNING!

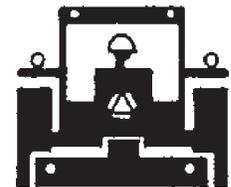


Always maintain the safety decals in good readable condition. If the decals are missing, damaged, or unreadable, obtain and install replacement decals immediately. (SG-5)

WARNING!



Make certain that the "Slow Moving Vehicle" (SMV) sign is installed in such a way as to be clearly visible and legible. When transporting the Equipment use the Tractor flashing warning lights and follow all local traffic regulations. (SG-6)



WARNING!



Operate this Equipment only with a Tractor equipped with an approved roll-over-protective system (ROPS). Always wear seat belts. Serious injury or even death could result from falling off the tractor--particularly during a turnover when the operator could be pinned under the ROPS. (SG-7)



WARNING!

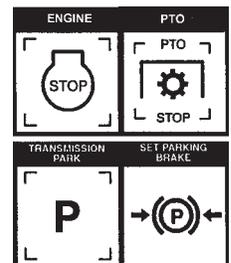


Do not modify or alter this Implement. Do not permit anyone to modify or alter this Implement, any of its components or any Implement function. (SG-8)

DANGER!



BEFORE leaving the tractor seat, always engage the brake and/or set the tractor transmission in parking gear, disengage the PTO, stop the engine, remove the key, and wait for all moving parts to stop. Place the tractor shift lever into a low range or parking gear to prevent the tractor from rolling. Never dismount a Tractor that is moving or while the engine is running. Operate the Tractor controls from the tractor seat only. (SG-9)



SAFETY

DANGER!



Never allow children or other persons to ride on the Tractor or Implement. Falling off can result in serious injury or death.

(SG-10)



DANGER!



Never allow children to operate or ride on the Tractor or Implement.

(SG-11)



WARNING!



Do not mount the Tractor while the tractor is moving. Mount the Tractor only when the Tractor and all moving parts are completely stopped.

(SG-12)

(SG-12)



DANGER!



Start tractor only when properly seated in the Tractor seat. Starting a tractor in gear can result in injury or death. Read the Tractor operators manual for proper starting instructions.

(SG-13)



DANGER!



Never work under the Implement, the framework, or any lifted component unless the Implement is securely supported or blocked up to prevent sudden or inadvertent falling which could cause serious injury or even death.

(SG-14)



DANGER!



Do not operate this Equipment with hydraulic oil leaking. Oil is expensive and its presence could present a hazard. Do not check for leaks with your hand! Use a piece of heavy paper or cardboard. High-pressure oil streams from breaks in the line could penetrate the skin and cause tissue damage including gangrene. If oil does penetrate the skin, have the injury treated immediately by a physician knowledgeable and skilled in this procedure.

(SG-15)

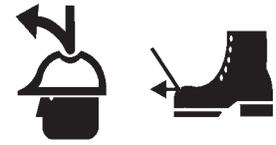


SAFETY

WARNING!



The operator and all support personnel should wear hard hats, safety shoes, safety glasses, and proper hearing protection at all times for protection from injury including injury from items thrown by the equipment. (SG-16)



CAUTION!



PROLONGED EXPOSURE TO LOUD NOISE MAY CAUSE PERMANENT HEARING LOSS! Tractors with or without an Implement attached can often be noisy enough to cause permanent hearing loss. We recommend that you always wear hearing protection if the noise in the Operator's position exceeds 80db. Noise over 85db over an extended period of time will cause severe hearing loss. Noise over 90db adjacent to the Operator over an extended period of time will cause permanent or total hearing loss. *Note:* Hearing loss from loud noise [from tractors, chain saws, radios, and other such sources close to the ear] is cumulative over a lifetime without hope of natural recovery. (SG-17)



WARNING!



Transport only at safe speeds. Serious accidents and injuries can result from operating this equipment at unsafe speeds. Understand the Tractor and Implement and how it handles before transporting on streets and highways. Make sure the Tractor steering and brakes are in good condition and operate properly.



Before transporting the Tractor and Implement, determine the safe transport speeds for you and the equipment. Make sure you abide by the following rules:

1. Test the tractor at a slow speed and increase the speed slowly. Apply the Brakes smoothly to determine the stopping characteristics of the Tractor and Implement. As you increase the speed of the Tractor the stopping distance increases. Determine the maximum safe transport speed for you and this Equipment.
2. Test the equipment at a slow speed in turns. Increase the speed through the turn only after you determine that it is safe to operate at a higher speed. Use extreme care and reduce your speed when turning sharply to prevent the tractor and implement from turning over. Determine the maximum safe turning speed for you and this equipment before operating on roads or uneven ground.
3. Only transport the Tractor and Implement at the speeds that you have determined are safe and which allow you to properly control the equipment.



Be aware of the operating conditions. Do not operate the Tractor with weak or faulty brakes. When operating down a hill or on wet or rain slick roads, the braking distance increases: use extreme care and reduce your speed. When operating in traffic always use the Tractor's flashing warning lights and reduce your speed. Be aware of traffic around you and watch out for the other guy. (SG-19)

SAFETY

WARNING!



Never attempt to lubricate, adjust, or remove material from the Implement while it is in motion or while tractor engine is running. Make sure the tractor engine is off before working on the Implement.

(SG-20)

WARNING!



Periodically inspect all moving parts for wear and replace when necessary with authorized service parts. Look for loose fasteners, worn or broken parts, and leaky or loose fittings. Make sure all pins are properly secured. Serious injury may occur from not maintaining this machine in good working order. (SG-21)



WARNING!



Always read carefully and comply fully with the manufacturers instructions when handling oil, solvents, cleansers, and any other chemical agent. (SG-22)



DANGER!



Never run the tractor engine in a closed building or without adequate ventilation. The exhaust fumes can be hazardous to your health.

(SG-23)

DANGER!



KEEP AWAY FROM ROTATING ELEMENTS to prevent entanglement and possible serious injury or death.

(SG-24)



DANGER!



Never allow children to play on or around Tractor or Implement. Children can slip or fall off the Equipment and be injured or killed. Children can cause the Implement to shift or fall crushing themselves or others. (SG-25)

SAFETY

DANGER!



NEVER use drugs or alcohol immediately before or while operating the Tractor and Implement. Drugs and alcohol will affect an operator's alertness and coordination and therefore affect the operator's ability to operate the equipment safely. Before operating the Tractor or Implement, an operator on prescription or over-the-counter medication must consult a medical professional regarding any side effects of the medication that would hinder their ability to operate the Equipment safely. **NEVER** knowingly allow anyone to operate this equipment when their alertness or coordination is impaired. Serious injury or death to the operator or others could result if the operator is under the influence of drugs or alcohol. (SG-27)



DANGER!



Operate the Tractor and/or Implement controls only while properly seated in the Tractor seat with the seat belt securely fastened around you. Inadvertent movement of the Tractor or Implement may cause serious injury or death. (SG-29)

WARNING!



Mow only in conditions where you have clear visibility in daylight or with adequate artificial lighting. Never mow in darkness or foggy conditions where you cannot clearly see at least 100 yards in front and to the sides of the tractor and mower. Make sure that you can clearly see and identify passersby, steep slopes, ditches, drop-offs, overhead obstructions, power lines, debris and foreign objects. If you are unable to clearly see this type of items discontinue mowing. (SGM-1)

DANGER!



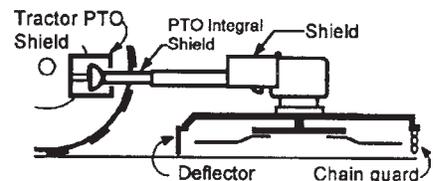
There are obvious and hidden potential hazards in the operation of this Mower. **REMEMBER!** This machine is often operated in heavy brush and in heavy weeds. The Blades of this Mower can throw objects if shields are not properly installed and maintained. Serious injury or even death may occur unless care is taken to insure the safety of the operator, bystanders, or passersby in the area. Do not operate this machine with anyone in the immediate area. Stop mowing if anyone is within 100 yards of mower. (SGM-2)



DANGER!



All Safety Shields, Guards and Safety devices including (but not limited to) - the Deflectors, Chain Guards, Steel Guards, Gearbox Shields, PTO integral shields, and Retractable Door Shields should be used and maintained in good working condition. All safety devices should be inspected carefully at least daily for missing or broken components. Missing, broken, or worn items must be replaced at once to reduce the possibility of injury or death from thrown objects, entanglement, or blade contact. (SGM-3)



SAFETY

DANGER!



The rotating parts of this machine have been designed and tested for rugged use. However, the blades could fail upon impact with heavy, solid objects such as metal guard rails and concrete structures. Such impact could cause the broken objects to be thrown outward at very high velocities. To reduce the possibility of property damage, serious injury, or even death, never allow the cutting blades to contact such obstacles. (SGM-4)

WARNING!



Extreme care should be taken when operating near loose objects such as gravel, rocks, wire, and other debris. Inspect the area before mowing. Foreign objects should be removed from the site to prevent machine damage and/or bodily injury or even death. Any objects that cannot be removed must be clearly marked and carefully avoided by the operator. Stop mowing immediately if blades strike a foreign object. Repair all damage and make certain rotor or blade carrier is balanced before resuming mowing. (SGM-5)



WARNING!



Many varied objects, such as wire, cable, rope, or chains, can become entangled in the operating parts of the mower head. These items could then swing outside the housing at greater velocities than the blades. Such a situation is extremely hazardous and could result in serious injury or even death. Inspect the cutting area for such objects before mowing. Remove any like object from the site. Never allow the cutting blades to contact such items. (SGM-6)

WARNING!



Mow at the speed that you can safely operate and control the tractor and mower. Safe mowing speed depends on terrain condition and grass type, density, and height of cut. Normal ground speed range is from 0 to 5 mph. Use slow mowing speeds when operating on or near steep slopes, ditches, drop-offs, overhead obstructions, power lines, or when debris and foreign objects are to be avoided. (SGM-7)

WARNING!



Avoid mowing in reverse direction when possible. Check to make sure there are no persons behind the mower and use extreme care when mowing in reverse. Mow only at a slow ground speed where you can safely operate and control the tractor and mower. Never mow an area that you have not inspected and removed debris or foreign material. (SGM-8)

WARNING!



Do not put hands or feet under mower decks. Blade Contact can result serious injury or even death. Stay away until all motion has stopped and the decks are securely blocked up. (SGM-9)



DANGER!



Replace bent or broken blade with new blades. NEVER ATTEMPT TO STRAIGHTEN OR WELD ON BLADES SINCE THIS WILL LIKELY CRACK OR OTHERWISE DAMAGE THE BLADE WITH SUBSEQUENT FAILURE AND POSSIBLE SERIOUS INJURY FROM THROWN BLADES. (SGM-10)

SAFETY

WARNING!



Do not mow with two machines in the same area except with Cab tractors with the windows closed. (SGM-11)

DANGER!

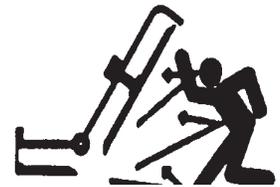


Rotary and Flail Mowers are capable under adverse conditions of throwing objects for great distances (100 yards or more) and causing serious injury or death. Follow safety messages carefully. **STOP MOWING IF PASSERSBY ARE WITHIN 100 YARDS UNLESS:**

- Front and Rear Deflectors are installed and in good, working condition;
- Mower Head is running close to and parallel to the ground without exposed Blades;
- Passersby are outside the existing thrown-object zone;
- All areas have been thoroughly inspected and all foreign material such as rocks, cans, glass, and general debris has been removed.



NOTE: Where there are grass and weeds high enough to hide debris that could be struck by the blades, the area should be: inspected and large debris removed, mowed at an intermediate height, inspected closely with any remaining debris being removed, and mowed again at desired final height. (SBM-1)



DANGER!



Use extreme caution when raising the Mower head. Stop the Blades from turning when the Mower Head is raised and passersby are within 100 yards. Raising the Mower head exposes the Cutting Blades which creates a potentially serious hazard and can cause serious injury by objects thrown from the Blades or by contact with the Blades. (SBM-2)

DANGER!



Be particularly careful in transport. The Mower has raised the center of gravity for the tractor and has increased the possibility of overturn. Turn curves or go up slopes only at low speed and using a gradual turning angle. Slow down on rough or uneven surfaces. (SBM-3)



WARNING!



Never Leave the mower unattended while the head is in the raised position. The mower could fall causing serious injury to anyone who might inadvertently be under the mower. (SBM-4)



WARNING!



The rotating parts of this machine continue to rotate even after the Tractor has been turned off. The operator should remain in his seat for 60 seconds after the brake has been set, the PTO disengaged, the tractor turned off, and all evidence of rotation has ceased. (SBM-5)

“Wait a minute...Save a life!”

SAFETY

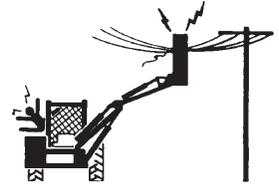


Relieve hydraulic pressure prior to doing any maintenance or repair work on the Implement. Place the Mower Head on the ground or securely supported on blocks or stands, disengage the PTO, and turn off the engine. Push and pull the control Levers or Joystick several times to relieve pressure prior to starting any maintenance or repair work. (SBM-6)

DANGER!



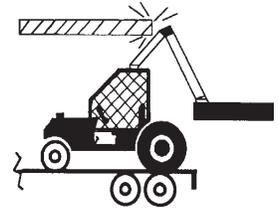
Always keep a careful lookout and use extreme care when working around overhead obstructions. Never allow the Mower head or boom within 10 feet of any power line. When working close to overhead power lines consult your electric company for a safe code of operation. (SBM-7)



DANGER!



When transporting Boom Mower on a truck or trailer, the height or width may exceed legal limits when the boom is in the transport position. Contact with side or overhead structures or power lines can cause property damage or serious injury or death. If necessary lower boom to reduce height and/or remove mowing head to reduce width to the legal limits. (SBM-8)



DANGER!



Never operate the Tractor and Mower Unit without an OPS (Operators Protective Structure) or Cab to prevent injury from objects thrown from ground or from overhead trimming. Stop mowing if workers or passersby are within 100 yards. (SBM-9)



DANGER!



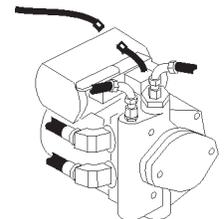
Each Rear Wheel must have a minimum of 1500 pound contact with the surface to prevent lateral instability and possible tip-over which could result in serious bodily injury or even death. Widen the wheel tread and add weights if needed. Refer to the mounting instructions or call Customer Service if you need assistance with Counterweight Procedure. (SBM-11)



DANGER!



Always disconnect the wire leads from the mower pump solenoid before performing service on the Tractor or Mower. Use caution when working on the Tractor or Mower. Tractor engine must be stopped before working on Mower or Tractor. The Mower Blades could inadvertently be turned on without warning and cause immediate dismemberment, injury or death. (SBM-12a)



DANGER!



The flail cutter shaft is designed for standard rotation (same rotation as the tractor wheels during forward travel). **Never operate the cutter shaft in the reverse rotation.** Operating this mower in reverse rotation may cause objects to be thrown out the front of the mower head.



SAFETY

WARNING!



Engine Exhaust, some of its constituents, and certain components contain or emit chemicals known to the state of California to cause cancer and birth or other reproductive harm.

WARNING!



Battery posts, terminals and related accessories contain lead and lead compounds, chemicals known to the state of California to cause cancer and birth or other reproductive harm. **Wash hands after handling!**

Tiger mowers use balanced and matched system components for blade carriers, blades, cutter-shafts, knives, knife hangers, rollers, drive-train components and bearings. These parts are made and tested to Tiger specifications. Non-genuine “will fit” parts do not consistently meet these specifications. The use of “will fit” parts may reduce mower performance, void mower warranties and present a safety hazard. Use genuine Tiger mower parts for economy and safety.

SEE YOUR  DEALER

In addition to the design and configuration of this Implement, including Safety Signs and Safety Equipment, hazard control and accident prevention are dependent upon the awareness, concern, prudence, and proper training of personnel involved in the operation, transport, maintenance, and storage of the machine. Refer also to Safety Messages and operation instruction in each of the appropriate sections of the Tractor and Equipment Manuals. Pay close attention to the Safety Signs affixed to the Tractor and Equipment. (SG-18)

SAFETY

DANGER

FAILING TO FOLLOW SAFETY MESSAGES AND OPERATING INSTRUCTIONS CAN CAUSE SERIOUS BODILY INJURY OR EVEN DEATH TO OPERATOR AND OTHERS IN THE AREA.

<p>1. </p>	<p>2. NO RIDERS, NO CHILDREN OPERATORS</p>	<p>3. USE SAFETY SHOES, HARD HAT, SAFETY GLASSES, SEAT BELTS, & ROPS</p>	<p>4. BLOCK UP SECURELY BEFORE WORKING UNDER</p>
------------	---	---	---

1 Study and understand Operator's Manuals, Safety Signs, and Instructional Decals for tractor & flail mower to prevent misuse, abuse, & accidents. Practice before operating mower in a confined area or near passersby.

- Learn how to stop engine suddenly in an emergency. Be alert for passersby and especially children.

2 Allow no children on or near implement or tractor. Allow no riders on tractor or implement. Falling off can cause serious injury or death from being runover by tractor or mower or contact with Flail Mower Blades.

3 Operate only with tractor having Roll-Over Protective Structure (ROPS) and with seatbelt fastened securely and snugly to prevent injury and possible death from falling off or tractor overturn. Personal Protective Equipment such as Hard Hat, Safety Glasses, Safety Shoes, and Ear Plugs are recommended.

4 Block up or support raised machine and all lifted components securely before putting hands or feet under or working underneath any lifted component to prevent crushing injury or death from sudden dropping or inadvertent operation of controls. Make certain that area is clear before lowering or folding.

5 Before transporting, put Lift Lever in detent or full-lift position. Install Transport Safety Devices securely on folding implements. Slow down when turning and on hillsides.

- Install **Restrictor in folding circuit to slow down lowering and unfolding if action is faster than is desirable.

6 Make certain that SMV sign, Warning Lights, and Reflectors are clearly visible. Follow local traffic codes.

7 Never operate with Flail Mower or Folding Section raised if passersby, bystanders or traffic are in the area to reduce possibility of injury or death from objects thrown by Blades under Shields or implement structure.

8 Before dismounting, secure flail mower in transport position or lower to ground.

- Put tractor in park or set brake, disengage PTO, stop engine, remove key, and wait until noise of rotation has ceased to prevent entanglement in rotating parts which may cause injury or death.
- Never mount or dismount a moving vehicle. Crushing from runover may cause injury or death.

<p>5. TRANSPORT SAFELY, LOCK UP.</p>	<p>6. USE SMV, LIGHTS, & REFLECTORS.</p>	<p>7. DONOT OPERATE WITH MOWER OR WING RAISED.</p>	<p>8. DO NOT MOUNT OR DISMOUNT WHILE MOVING.</p>
---	---	---	---

PART NO.
LOCATION

002369
HYDRAULIC TANK

PELIGRO

Si No Lee Ingles, Pida Ayuda a Alguien Que Si Lo Lea. Para Que le Traduzca las Medidas de Seguridad.

LEA EL INSTRUCTIVO

00725746

00725746
INSIDE OF CAB

DANGER

THROWN OBJECTS
CUTTING BLADES

KEEP AWAY - ROTATING BLADES

BEING HIT BY THROWN OBJECTS OR CONTACTING ROTATING BLADES CAN CAUSE INJURY OR DEATH.

- Stop mowing if passersby enter the area of thrown objects (See Operator's Manual).
- Use special care if Mower Head or Wing is raised off the ground. (See Manual).
- Operate only if all Guards-Deflectors are in place and in good condition.

00769737

00769737
MOWER DECK

SAFETY



PART NO.
LOCATION

00758194
MOWER DECK



02962764
MAIN BOOM, SECONDARY BOOM, MAIN FRAME



02962765
MAIN FRAME

02965262
HYDRAULIC TANK

SAFETY

DANGER

CUTTING BLADES



THROWN OBJECTS



KEEP AWAY - ROTATING BLADES

BEING HIT BY THROWN OBJECTS OR CONTACTING ROTATING BLADES CAN CAUSE INJURY OR DEATH

- Stop mowing if passersby enter the area of thrown objects. (See Operator's Manual)
- Use special care when Flail or Wing is raised off the ground. (See Oper. Manual)
- Operate only if all Guards-Deflectors are in place and in good condition.

PART NO.
LOCATION

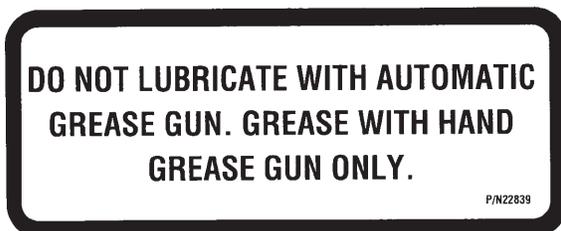
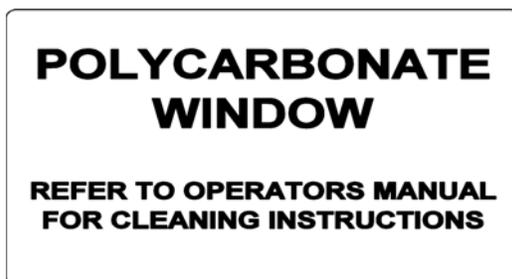
02967668
MOWER DECK

02971123
HYDRAULIC TANK

03200285
OUTSIDE OF CAB

22645
INSIDE OF CAB

22839
MOWER DECK



SAFETY



PART NO.
LOCATION

22840
INSIDE OF CAB



24028
MOWER DECK

25387
INSIDE OF CAB



10" x 5.5" 31522
MOWER DECK, MAIN BOOM
18.25" x 10" 31523
HYDRAULIC TANK

SAFETY



PART NO.
LOCATION

27001
INSIDE OF CAB



31935
INSIDE OF CAB

DANGER

1. EACH REAR WHEEL MUST HAVE A MINIMUM OF 1500 POUNDS CONTACT WITH THE SURFACE TO PREVENT LATERAL INSTABILITY AND POSSIBLE TIP-OVER WITH BODILY INJURY. WIDEN WHEEL TREAD AND ADD WEIGHTS IF NEEDED. SEE MANUAL OR CALL TIGER CUSTOMER SERVICE FOR COUNTERWEIGHT PROCEDURE.
2. TRANSPORT CAREFULLY! SLOW DOWN EVEN MORE ON SLOPES AND WHEN TURNING; NEVER TURN UP A SLOPE SHARPLY OR AT HIGH SPEED; AND USE EXTRA CARE IN ROUGH OR BUMPY AREAS TO PREVENT OVERTURN AND POSSIBLE CRUSHING INJURY OR DEATH. IF YOUR VIEW TO THE REAR IS BLOCKED, IT IS YOUR RESPONSIBILITY TO INSTALL MIRRORS THAT PROVIDE A REAR VIEW TO PREVENT ACCIDENTS FROM BLIND SPOTS.
3. REAR-MOUNTED BOOM MOWERS MOVE CENTER OF GRAVITY TO THE REAR AND REMOVE WEIGHT FROM FRONT WHEELS. ADD FRONT BALLAST UNTIL AT LEAST 20% OF TRACTOR'S WEIGHT IS ON FRONT WHEELS TO PREVENT REARING UP, LOSS OF STEERING CONTROL, AND POSSIBLE INJURY.
4. NEVER OPERATE UNIT WITHOUT AN OPS (OPERATOR PROTECTIVE STRUCTURE) OR CAB TO PREVENT INJURY FROM OBJECTS THROWN FROM GROUND AND OVERHEAD TRIMMING. STOP CUTTING IF ANYONE IS WITHIN 100 YARDS.
5. KEEP THE BOOM AND CUTTERHEAD AT LEAST 10 FEET FROM ELECTRIC LINES AND PIPE LINES TO PREVENT ACCIDENTAL CONTACT AND POSSIBLE SERIOUS INJURY OR EVEN DEATH.
5. WHEN TRANSPORTING BOOM MOWERS ON A TRUCK OR TRAILER, THE HEIGHT OR WIDTH MAY EXCEED LEGAL LIMITS. CONTACT WITH SIDE OR OVERHEAD STRUCTURES OR POWER LINES CAN CAUSE SERIOUS INJURY OR DEATH. LOWER BOOM TO REDUCE HEIGHT AND/OR REMOVE MOWING HEAD TO REDUCE WIDTH TO THE LEGAL LIMITS, IF NEEDED.

32707
HYDRAULIC TANK



42350
MOWER DECK

SAFETY

ATTENTION

**SERVICE HYDRAULIC SYSTEM
WITH UNIVERSAL TRACTOR
HYDRAULIC OIL.**

32708

PART NO.
LOCATION

32708
HYDRAULIC TANK

CAUTION

For your safety and to guarantee optimum product reliability, always use genuine TIGER replacement parts. The use of inferior "will-fit" parts will void warranty of your TIGER implement and may cause premature or catastrophic failure which can result in serious injury or death. If you have any questions concerning the repair parts you are using, contact TIGER, 3301 N. LOUISE AVE., SIOUX FALLS, SD 57107

32709

32709
INSIDE OF CAB

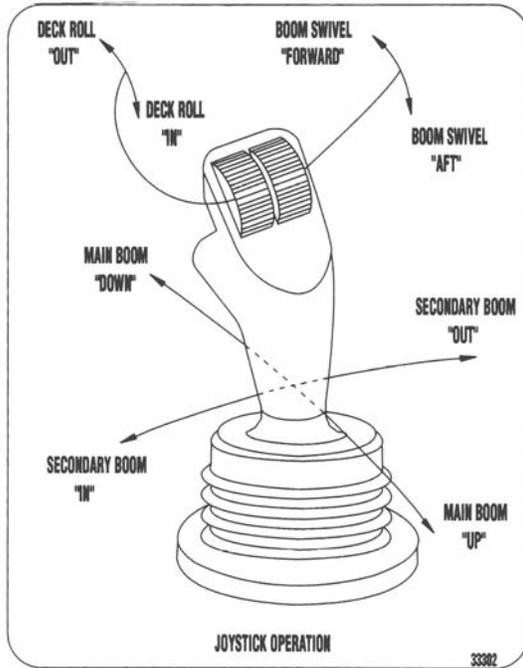
33224
MOWER DECK

Tiger™

33438
MAIN BOOM

SAFETY

PART NO.
LOCATION



33302
INSIDE OF CAB

MOWING SAFETY TIPS

- Read & understand the Operators Manual.
- Wear Your Seat Belt.
- Keep all shields and guards in place.
- Make sure equipment is in proper working condition.
- Never attempt to get off or on a moving tractor.
- Never allow riders on tractor or equipment.
- Only start the tractor from the seat with the key.
- Always inspect the area before mowing. Remove all foreign debris.
- Always keep bystanders and coworkers a minimum of 300 feet away.
- Never allow the mower blades to contact solid objects or foreign material.
- Never approach rotating elements.
- Disengage the PTO, place transmission in "Park", set parking brake, shut off engine, and remove key and wait until all rotating motion has stopped before leaving seat.

Tiger

33743

33743
INSIDE OF CAB

SAFETY



PART NO.
LOCATION
RED 42399
REFLECTIVE TAPE
MOWER DECK



AMBER 42400
REFLECTIVE TAPE
MOWER DECK



6T3217
MOWER DECK



6T3219
INSIDE OF CAB

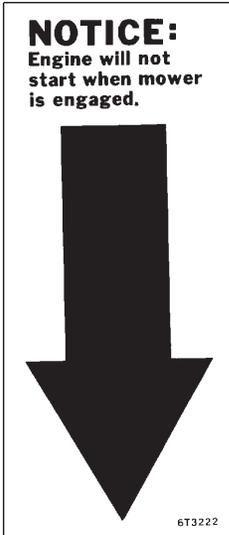
6T3220
FRONT PUMP MOUNT

SAFETY



PART NO.
LOCATION

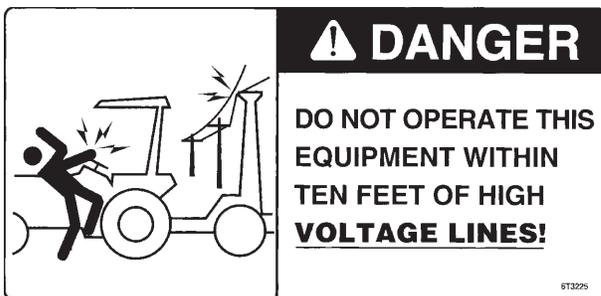
6T3221
INSIDE OF CAB



6T3222
INSIDE OF CAB

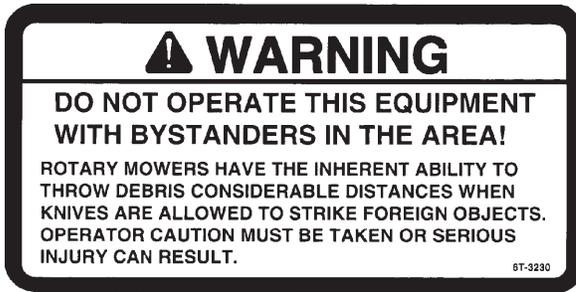


6T3224
MOWER DECK



6T3225
INSIDE OF CAB

SAFETY



PART NO.
LOCATION

6T3230
INSIDE OF CAB



6T3231
INSIDE OF CAB



6T3233
HYDRAULIC TANK



6T3234
INSIDE OF CAB



6T3236
MOWER DECK

SAFETY

⚠ WARNING

**WHEN CUTTING HEAVY BRUSH,
BLADE BOLTS SHOULD BE
INSPECTED HOURLY AND
RETORQUED TO 600 FT. LBS.**

6T-3237

6T3237

PART NO.
LOCATION
6T3237
INSIDE OF CAB

DOWN MAIN BOOM UP	OUT SECONDARY BOOM IN	OUT DECK ROLL IN	FORWARD SWING BACKWARD
---------------------------------	-------------------------------------	--------------------------------	--------------------------------------

6T-3241

6T3241

6T3241
INSIDE OF CAB

DOWN MAIN BOOM UP	OUT SECONDARY BOOM IN	OUT DECK ROLL IN	FORWARD SWING BACKWARD	CLOSE SHIELD OPEN
---------------------------------	-------------------------------------	--------------------------------	--------------------------------------	---------------------------------

34206

34206
INSIDE OF CAB

<p style="text-align: center;">⚠ WARNING</p> <p style="font-size: x-small;">IT IS RECOMMENDED THAT THE BOLT AND LOCK NUT BE REPLACED WHENEVER BLADES ARE REPLACED. REPLACE THESE ANY TIME THEY ARE DAMAGED OR WORN AS FAILURE TO DO SO CAN LEAD TO BLADES COMING OFF CAUSING SERIOUS INJURY OR DEATH.</p>	<p style="text-align: center;">IMPORTANT</p> <ul style="list-style-type: none"> • WHEN REPLACING BLADES, IT IS RECOMMENDED THAT ALL BLADES BE REPLACED FOR PROPER BALANCE TO AVOID EXCESSIVE VIBRATIONS WHICH CAN DAMAGE SPINDLE ASSEMBLY. • SEE YOUR OPERATOR'S MANUAL FOR PROPER INSTALLATION INSTRUCTIONS. <p style="text-align: right; font-size: x-small;">6T-3243</p>
--	--

6T3243
INSIDE OF CAB

GREASING INSTRUCTIONS
CUTTER SHAFT BEARING
GREASE EVERY 8 HRS. OR DAILY

NOTE: If unusual environmental conditions exist-extreme temperatures, moisture, or contaminants-more frequent lubrication is required.

6T3249A

6T3249A
MOWER DECK

GREASING INSTRUCTIONS
GROUND ROLLER BEARING
GREASE EVERY 8 HRS. OR DAILY

NOTE: If unusual environmental conditions exist-extreme temperatures, moisture, or contaminants-more frequent lubrication is required.

6T3261

6T3261
MOWER DECK

SAFETY



TB1011
MOWER DECK



Tiger Corporation

800-843-6849
www.tiger-mowers.com

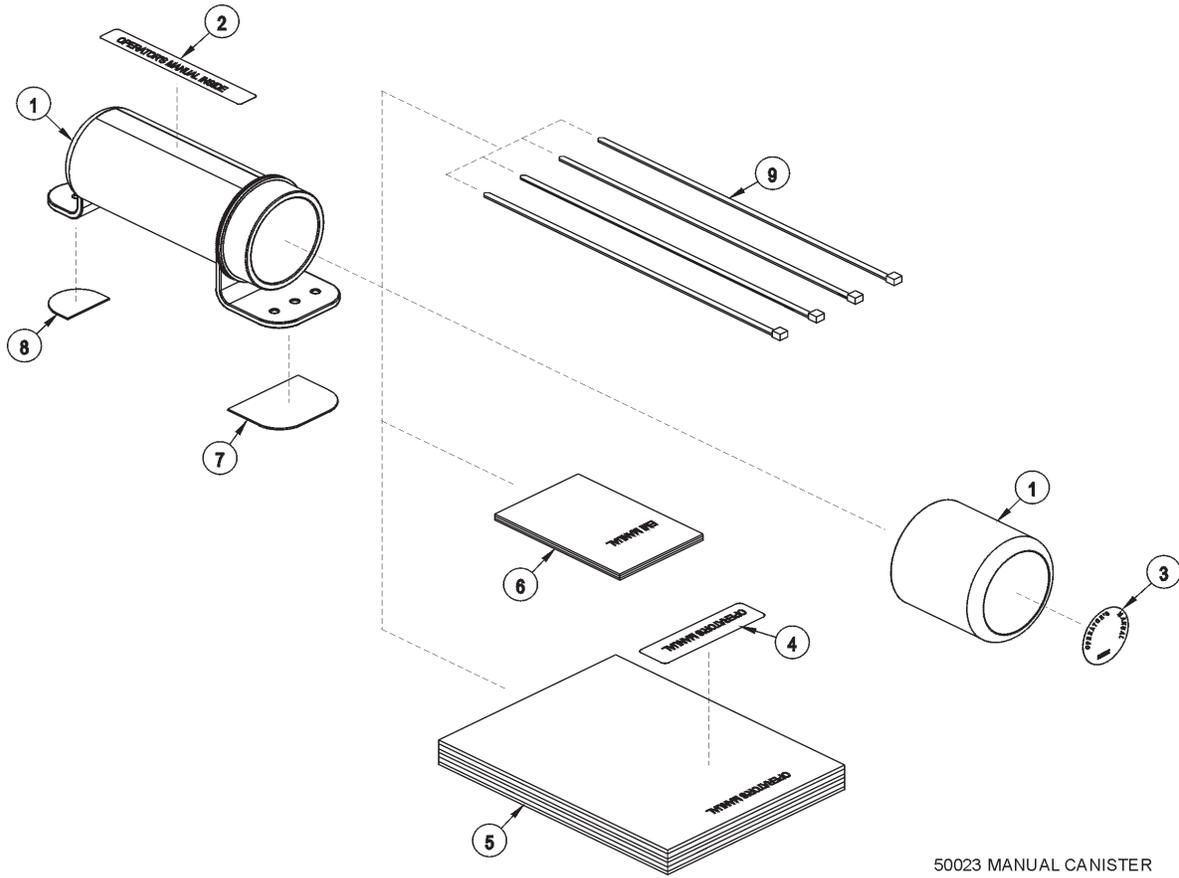
Description	Application	General Specification	Recommended Lubricant
Tractor Hydraulics	Reservoir	JD-20C	Mobilfluid® 424
Mower Hydraulics Cold Temperatures 0°F Start-up Normal Temperatures 10°F Start-up Normal Temperatures 15°F Start-up High Operating Temperatures Above 90°F Ambient	Reservoir	ISO 46 Anti-Wear/ Low Temp JD-20C ISO 46 Anti-Wear ISO 100 Anti-Wear	Mobil DTE® 15M Mobilfluid® 424 Mobil DTE® 25 Mobil DTE® 18M
Flail Rear Gearbox	Reservoir	PAO Synthetic Extreme Pressure Gear Lube	Mobilube SHC® 75W-90, Mobil 1 Synthetic Gear Lubricant
Cutter Shaft and Ground Roller Shaft (Flail)	Grease Gun	Lithium Complex, NLGI 2 ISO 320	Mobilgrease® CM-S
Drive Shaft Coupler (Rotary and Flail)	Grease Gun	Lithium Complex, NLGI 2 ISO 320	Mobilgrease® CM-S
Boom Swivel, Boom Cylinder Pivots (Rotary and Flail Boom Type)	Grease Gun	Lithium Complex, NLGI 2 ISO 320	Mobilgrease® CM-S
Deck Boom Pivot & Deck Stop Adjustment (Rotary and Flail)	Grease Gun	Lithium Complex, NLGI 2 ISO 320	Mobilgrease® CM-S
Deck Spindle (Rotary)	Grease Gun	Tiger Spindle Lubricant	Mobilith SHC 220

For Mobil product information, availability, or technical information, call 1-800-662-4525.

Tiger PN 34852

34852
HYDRAULIC TANK

SAFETY



50023 MANUAL CANISTER

ITEM	PART NO.	QTY.	DESCRIPTION
	50023	AVAIL	MANUAL CANISTER COMPLETE
1	00776031	1	ROUND MANUAL CANISTER
	33997	1	DECAL, SHEET, MANUAL CANISTER
2		*	DECAL
3		*	DECAL
4		*	DECAL
5	*	AVAIL	SPECIFIC PRODUCT MANUAL
6	33753	1	E M I SAFETY MANUAL
7	34296	1	FRONT ADHESIVE PAD
8	34297	1	REAR ADHESIVE PAD
9	6T1823	4	ZIPTIE 14" LONG

NOTE:

The manual canister can be bolted, zip tied or adhered to a variety of surfaces. Locate a protected area within the view of the operator. Then select an installation method and attach the canister. **CAUTION - AVOID DRILLING HOLES INTO UNKNOWN AREAS**, wires and other parts may be located behind these areas. When adhering the canister to a surface, thoroughly clean that surface before installing the canister.

SAFETY

FEDERAL LAWS AND REGULATIONS

This section is intended to explain in broad terms the concept and effect of federal laws and regulations concerning employer and employee equipment operators. This section is not intended as a legal interpretation of the law and should not be considered as such.

Employer-Employee Operator Regulations

U.S. Public Law 91-596 (The Williams-Steiger Occupational and Health Act of 1970) OSHA

This Act Seeks:

“...to assure so far as possible every working man and woman in the nation safe and healthful working conditions and to preserve our human resources...”

DUTIES

Sec. 5 (a) Each employer-

(1) shall furnish to each of his employees employment and a place of employment which are free from recognized hazards that are causing or are likely to cause death or serious physical harm to his employees;

(2) shall comply with occupational safety and health standards promulgated under this Act.

(b) Each employee shall comply with occupational safety and health standards and all rules, regulations and orders issued pursuant to this Act which are applicable to his own actions and conduct.

OSHA Regulations

OSHA regulations state in part: “At the time of initial assignment and at least annually thereafter, the employer shall instruct every employee in the safe operation and servicing of all equipment with which the employee is, or will be involved.”

Employer Responsibilities:

To ensure employee safety during Tractor and Implement operation, it is the employer’s responsibility to:

1. Train the employee in the proper and safe operation of the Tractor and Implement.
2. Require that the employee read and fully understand the Tractor and Implement Operator’s manual.
3. Permit only qualified and properly trained employees to operate the Tractor and Implement.
4. Maintain the Tractor and Implement in a safe operational condition and maintain all shields and guards on the equipment.
5. Ensure the Tractor is equipped with a functional ROPS and seat belt and require that the employee operator securely fasten the safety belt and operate with the ROPS in the raised position at all times.
6. Forbid the employee operator to carry additional riders on the Tractor or Implement.
7. Provide the required tools to maintain the Tractor and Implement in a good safe working condition and provide the necessary support devices to secure the equipment safely while performing repairs and service.

Child Labor Under 16 Years of Age

Some regulations specify that no one under the age of 16 may operate power machinery. It is your responsibility to know what these regulations are in your own area or situation. (Refer to U.S. Dept. of Labor, Employment Standard Administration, Wage & Home Division, Child Labor Bulletin #102.)

SAFETY

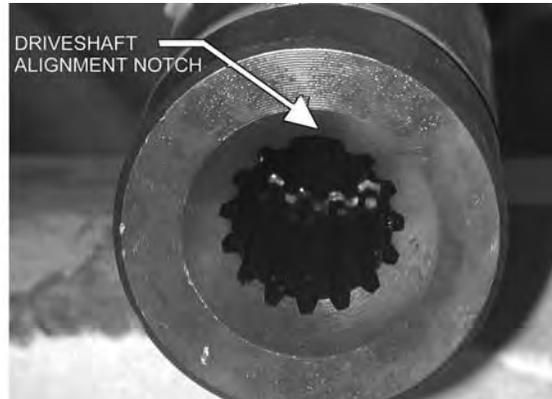
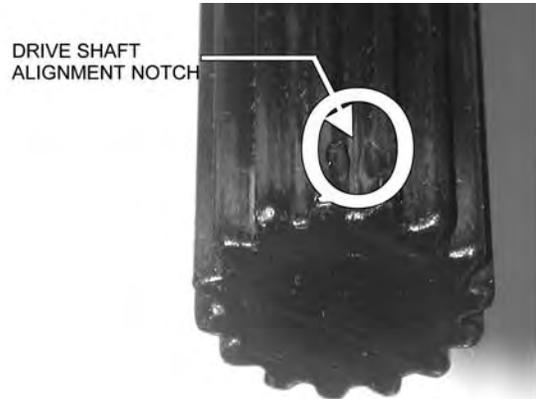
ASSEMBLY SECTION

ASSEMBLY

DRIVESHAFT AND FRONT PUMP MOUNTING

Q. 0. 1. 2. 3. 4. 5. 6. 7. 8. 9. 10. 11. 12. 13. 14. 15. 16. 17. 18. 19. 20. 21. 22. 23. 24. 25. 26. 27. 28. 29. 30. 31. 32. 33. 34. 35. 36. 37. 38. 39. 40. 41. 42. 43. 44. 45. 46. 47. 48. 49. 50. 51. 52. 53. 54. 55. 56. 57. 58. 59. 60. 61. 62. 63. 64. 65. 66. 67. 68. 69. 70. 71. 72. 73. 74. 75. 76. 77. 78. 79. 80. 81. 82. 83. 84. 85. 86. 87. 88. 89. 90. 91. 92. 93. 94. 95. 96. 97. 98. 99. 100. 101. 102. 103. 104. 105. 106. 107. 108. 109. 110. 111. 112. 113. 114. 115. 116. 117. 118. 119. 120. 121. 122. 123. 124. 125. 126. 127. 128. 129. 130. 131. 132. 133. 134. 135. 136. 137. 138. 139. 140. 141. 142. 143. 144. 145. 146. 147. 148. 149. 150. 151. 152. 153. 154. 155. 156. 157. 158. 159. 160. 161. 162. 163. 164. 165. 166. 167. 168. 169. 170. 171. 172. 173. 174. 175. 176. 177. 178. 179. 180. 181. 182. 183. 184. 185. 186. 187. 188. 189. 190. 191. 192. 193. 194. 195. 196. 197. 198. 199. 200. 201. 202. 203. 204. 205. 206. 207. 208. 209. 210. 211. 212. 213. 214. 215. 216. 217. 218. 219. 220. 221. 222. 223. 224. 225. 226. 227. 228. 229. 230. 231. 232. 233. 234. 235. 236. 237. 238. 239. 240. 241. 242. 243. 244. 245. 246. 247. 248. 249. 250. 251. 252. 253. 254. 255. 256. 257. 258. 259. 260. 261. 262. 263. 264. 265. 266. 267. 268. 269. 270. 271. 272. 273. 274. 275. 276. 277. 278. 279. 280. 281. 282. 283. 284. 285. 286. 287. 288. 289. 290. 291. 292. 293. 294. 295. 296. 297. 298. 299. 300. 301. 302. 303. 304. 305. 306. 307. 308. 309. 310. 311. 312. 313. 314. 315. 316. 317. 318. 319. 320. 321. 322. 323. 324. 325. 326. 327. 328. 329. 330. 331. 332. 333. 334. 335. 336. 337. 338. 339. 340. 341. 342. 343. 344. 345. 346. 347. 348. 349. 350. 351. 352. 353. 354. 355. 356. 357. 358. 359. 360. 361. 362. 363. 364. 365. 366. 367. 368. 369. 370. 371. 372. 373. 374. 375. 376. 377. 378. 379. 380. 381. 382. 383. 384. 385. 386. 387. 388. 389. 390. 391. 392. 393. 394. 395. 396. 397. 398. 399. 400. 401. 402. 403. 404. 405. 406. 407. 408. 409. 410. 411. 412. 413. 414. 415. 416. 417. 418. 419. 420. 421. 422. 423. 424. 425. 426. 427. 428. 429. 430. 431. 432. 433. 434. 435. 436. 437. 438. 439. 440. 441. 442. 443. 444. 445. 446. 447. 448. 449. 450. 451. 452. 453. 454. 455. 456. 457. 458. 459. 460. 461. 462. 463. 464. 465. 466. 467. 468. 469. 470. 471. 472. 473. 474. 475. 476. 477. 478. 479. 480. 481. 482. 483. 484. 485. 486. 487. 488. 489. 490. 491. 492. 493. 494. 495. 496. 497. 498. 499. 500. 501. 502. 503. 504. 505. 506. 507. 508. 509. 510. 511. 512. 513. 514. 515. 516. 517. 518. 519. 520. 521. 522. 523. 524. 525. 526. 527. 528. 529. 530. 531. 532. 533. 534. 535. 536. 537. 538. 539. 540. 541. 542. 543. 544. 545. 546. 547. 548. 549. 550. 551. 552. 553. 554. 555. 556. 557. 558. 559. 560. 561. 562. 563. 564. 565. 566. 567. 568. 569. 570. 571. 572. 573. 574. 575. 576. 577. 578. 579. 580. 581. 582. 583. 584. 585. 586. 587. 588. 589. 590. 591. 592. 593. 594. 595. 596. 597. 598. 599. 600. 601. 602. 603. 604. 605. 606. 607. 608. 609. 610. 611. 612. 613. 614. 615. 616. 617. 618. 619. 620. 621. 622. 623. 624. 625. 626. 627. 628. 629. 630. 631. 632. 633. 634. 635. 636. 637. 638. 639. 640. 641. 642. 643. 644. 645. 646. 647. 648. 649. 650. 651. 652. 653. 654. 655. 656. 657. 658. 659. 660. 661. 662. 663. 664. 665. 666. 667. 668. 669. 670. 671. 672. 673. 674. 675. 676. 677. 678. 679. 680. 681. 682. 683. 684. 685. 686. 687. 688. 689. 690. 691. 692. 693. 694. 695. 696. 697. 698. 699. 700. 701. 702. 703. 704. 705. 706. 707. 708. 709. 710. 711. 712. 713. 714. 715. 716. 717. 718. 719. 720. 721. 722. 723. 724. 725. 726. 727. 728. 729. 730. 731. 732. 733. 734. 735. 736. 737. 738. 739. 740. 741. 742. 743. 744. 745. 746. 747. 748. 749. 750. 751. 752. 753. 754. 755. 756. 757. 758. 759. 760. 761. 762. 763. 764. 765. 766. 767. 768. 769. 770. 771. 772. 773. 774. 775. 776. 777. 778. 779. 780. 781. 782. 783. 784. 785. 786. 787. 788. 789. 790. 791. 792. 793. 794. 795. 796. 797. 798. 799. 800. 801. 802. 803. 804. 805. 806. 807. 808. 809. 810. 811. 812. 813. 814. 815. 816. 817. 818. 819. 820. 821. 822. 823. 824. 825. 826. 827. 828. 829. 830. 831. 832. 833. 834. 835. 836. 837. 838. 839. 840. 841. 842. 843. 844. 845. 846. 847. 848. 849. 850. 851. 852. 853. 854. 855. 856. 857. 858. 859. 860. 861. 862. 863. 864. 865. 866. 867. 868. 869. 870. 871. 872. 873. 874. 875. 876. 877. 878. 879. 880. 881. 882. 883. 884. 885. 886. 887. 888. 889. 890. 891. 892. 893. 894. 895. 896. 897. 898. 899. 900. 901. 902. 903. 904. 905. 906. 907. 908. 909. 910. 911. 912. 913. 914. 915. 916. 917. 918. 919. 920. 921. 922. 923. 924. 925. 926. 927. 928. 929. 930. 931. 932. 933. 934. 935. 936. 937. 938. 939. 940. 941. 942. 943. 944. 945. 946. 947. 948. 949. 950. 951. 952. 953. 954. 955. 956. 957. 958. 959. 960. 961. 962. 963. 964. 965. 966. 967. 968. 969. 970. 971. 972. 973. 974. 975. 976. 977. 978. 979. 980. 981. 982. 983. 984. 985. 986. 987. 988. 989. 990. 991. 992. 993. 994. 995. 996. 997. 998. 999. 1000.

CAUTION: DO NOT START THE TRACTOR UNTIL ALL HOSES ARE ATTACHED, TANK IS FILLED WITH PROPER OIL AND BALL VALVES ARE OPEN! STARTING AT THIS TIME WILL CAUSE SERIOUS DAMAGE TO THE PUMP. (ASM-JD-0007)



ADJUSTING REAR WHEELS

Follow the instructions in the tractor owner's manual for adjusting tires and rims.



ASSEMBLY

PANORAMIC POLYCARBONATE SAFETY WINDOW

NOTE: Installing a boom mower requires that all of the right side windows be replaced or protected with a polycarbonate window. This should be done before mounting the mainframe.

John Deere R series tractors require a panoramic safety window.

1. Remove the existing window hardware from the tractor. (See Figure 1 for locations.)

2. Apply RTV silicone along the entire top edge of the window.

3. Install the supplied hardware to secure the window to the tractor frame.

4. Verify that the window is properly seated and secured. (See Figure 2 for locations.)

5. Reinstall the existing hardware on the right side of the tractor.

6. Verify that the window is properly seated and secured on the right side.

7. Verify that the window is properly seated and secured on the left side.

8. Verify that the window is properly seated and secured on the right side.

9. Verify that the window is properly seated and secured on the left side.

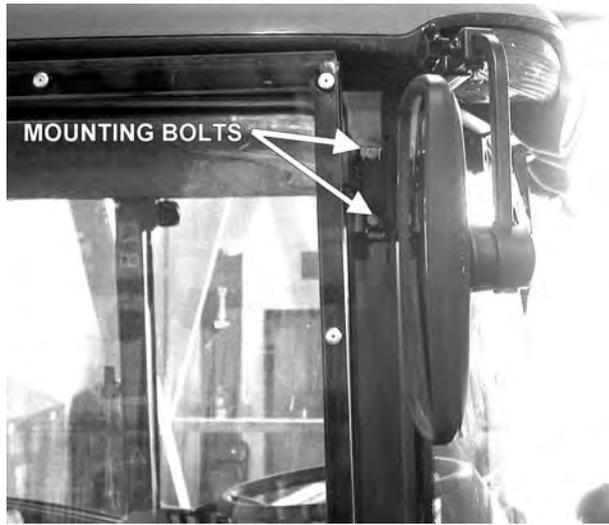
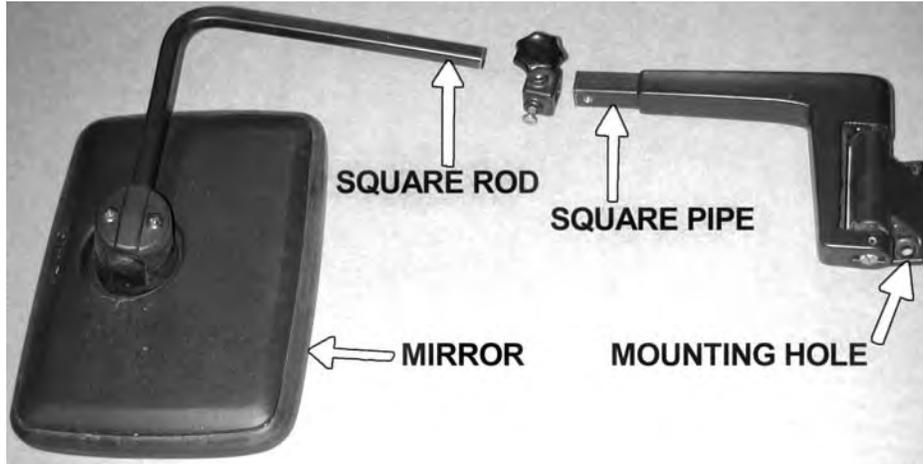
APPLY RTV SILICONE ALONG ENTIRE TOP EDGE OF WINDOW



ASSEMBLY

SIDE MIRROR MOUNTING

Öäæ•^ { à|^Á@Áã @Áã^Á ai|!Á!æ^ÁÖ~ ó@Á~ æ^Á! áÁã áÁã^Á@, } ÁÁã!^Á à^|, DÄ EFD HXCE•^ { à|^Á@ { Á!^*c@!ÉY [~ } ó@Áã @Á ai|!Á!æ^Áöá Á@esá, æ^Á! } Á@Á ~]]^!Áã @Á! }!^!Á-Á@Áæd!ÁæáÁ@, } ÁÁã!^Á!^Á!^|, ÉÜ^!Á@ÁÚæóÁ^&ç } É •æ^c Á&^^ } ÉæáÁ!Áesá, æ^Á!^æá ÉÄ (ASM-JD7220-0001)



MAINFRAME INSTALLATION

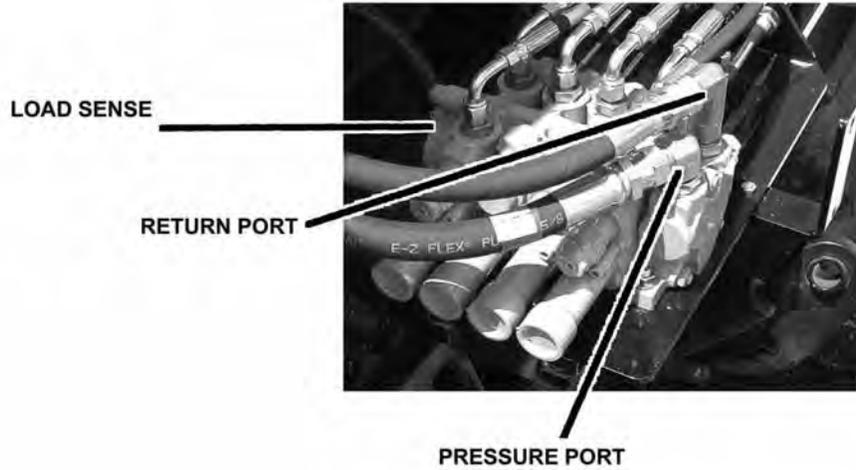
Y ä@æ Á ç^! @æá@ ä óá áÁ!Áæ É çá ä Éææ^Á } ^Áã^Á-Á@Áæ ^Á! Á! Á@Á! !!^&ç^Á { æ&@ * Á [~ } ç * Á@|^ÉXQ•æ/Áç •&^, •Áã áÁ@!Áesá, æ^Á! Á&|^Á@Áã^Á-Á@Á { æ!+æ ^Á! Á@Áæd!Áæ ç * Éæ Á@, } Á! } Á@Áæd!Á [~ } Óã! æ^Á! Á@ÁæóÁ^&ç } ÉÄ ÖUÁUVÁã @^ } ÁæóÁã ^ÉÜ^ { [ç^Á@Áç •&^, •Á! } ^ÁæáÁã ^Áã áÁã!]^ ÁæóÁæá! & ç * Á æ^ } ÉÜ^á •!ó@Áç •&^, •Áã áÁ@ } Á! i~^Á! çæ^•Á [ç^Á@Á! i~^Á@esó! &æ^áÁ @ÁT æ ç } æ &Á^&ç } Á-Á@Á ç ~æÉ (ASM-C-0003)



ASSEMBLY

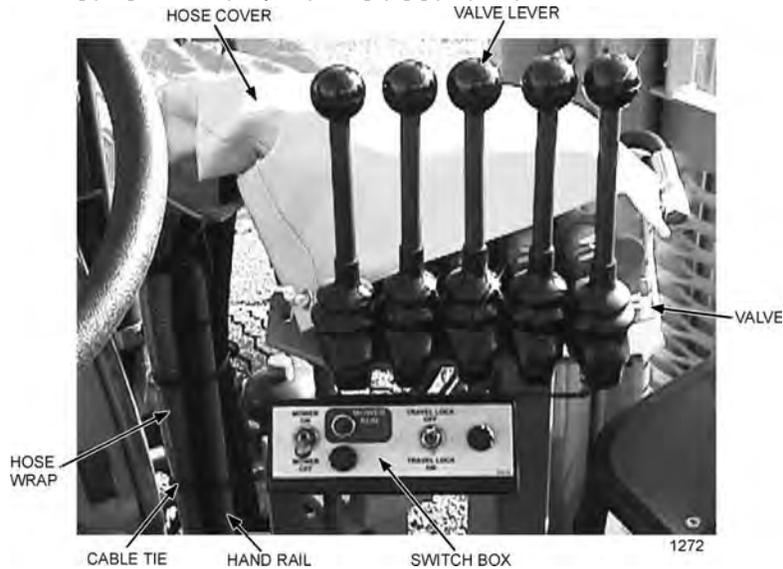
MANUAL LIFT VALVE PORTS

(ASM-C-0057)



MANUAL SWITCHBOX MOUNTING

Ü^~!Á Á@Á Úæo Á^& } Á Á•{ à Á á& {]] ^ } Á ^^ á á



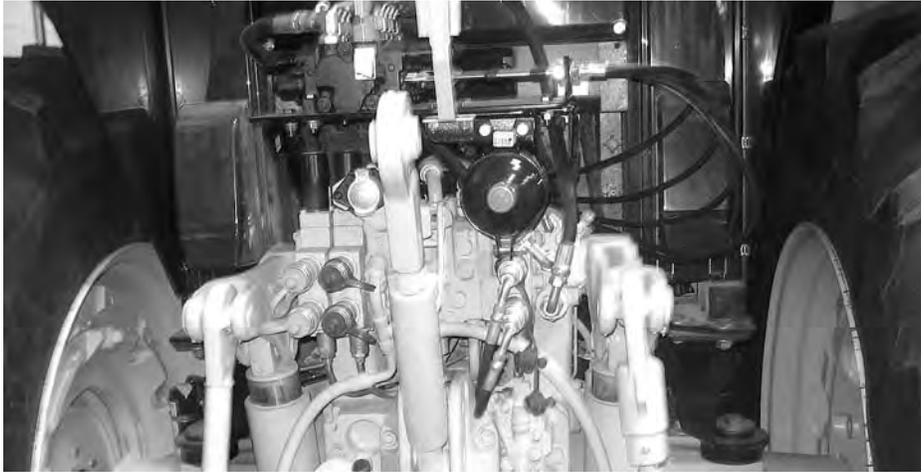
(ASM-C-0053)



ASSEMBLY

VALVE MOUNTING

ÁÚ^& !^Á@Á|æ^Á Á@Áæq |Á ã@Qá, æ^Á @, } Á@ÁÚæÁÚ^&ç } Á-Á@Á æ~ æÉÁ
Öæ&@Á@Áçç^Á [~ } ç* Á|æ^Á Á@Áçç^Á [~ } ç* Á|æ^Á } Á@Á^æÁ-Á@Áæq |Á-Á@, } Á
à^|, ÉÁÉÁ } Á@Á@|Á^Á |Á@Áæ|Á^Á } Á@Á^ • & Á| } d[|Áçç^Á^Á á&^) ç|Á@Á@æ { • • Áçç^Á
[] Á@Áçç^Á |æ ÉÁV@ } Áçç^Á } Á@Á@|Á^Á } Á@Áçç^Á ã@Á|æ Á@|Á^Á á^Á& !^Á@Ááçç^Á
[] Á| Á-Á@Á [~ } ç* Á|æ ÉÁÚ| ~ çÁ@Á@á|æ |ÁÁ^Á^Á { Á@Ááçç^Á Á@Á@á|æ |Á É
á^Á^Á [ç^Á^Á } Á@Ááçç^Á æ^Á-Á@ÁÚæÁÚ^&ç } ÉÁ@ ç|Á@Á| } d[|Áæ|Á^Á Á@Áçç^Á
æ^Á@Á [~ } ç* Á|æ^Á } Á@Á^ • & Áçç^Á ÉÁÚ } Á@Á@æ { • • Áçç^Á ÉÁæ&@Á^Á^&ç Á| } d[|Á
&æ|Á^Á ÉÁ(ASM-JD7X30-0001 JD6140M)

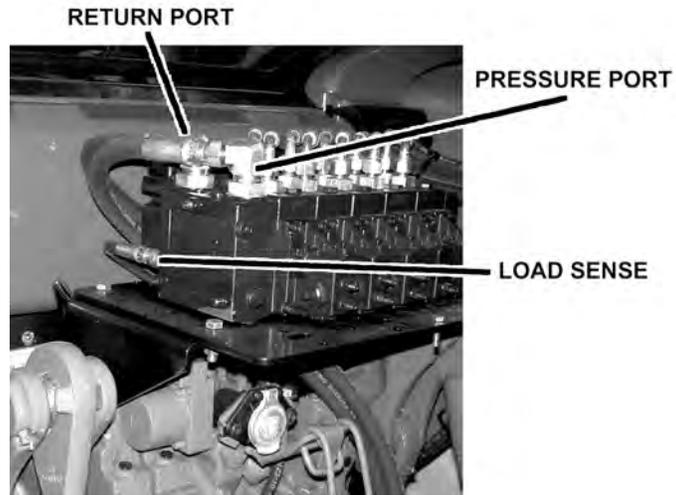


ASSEMBLY

ELECTRONIC LIFT VALVE PORTS

(ASM-C-0089)Á

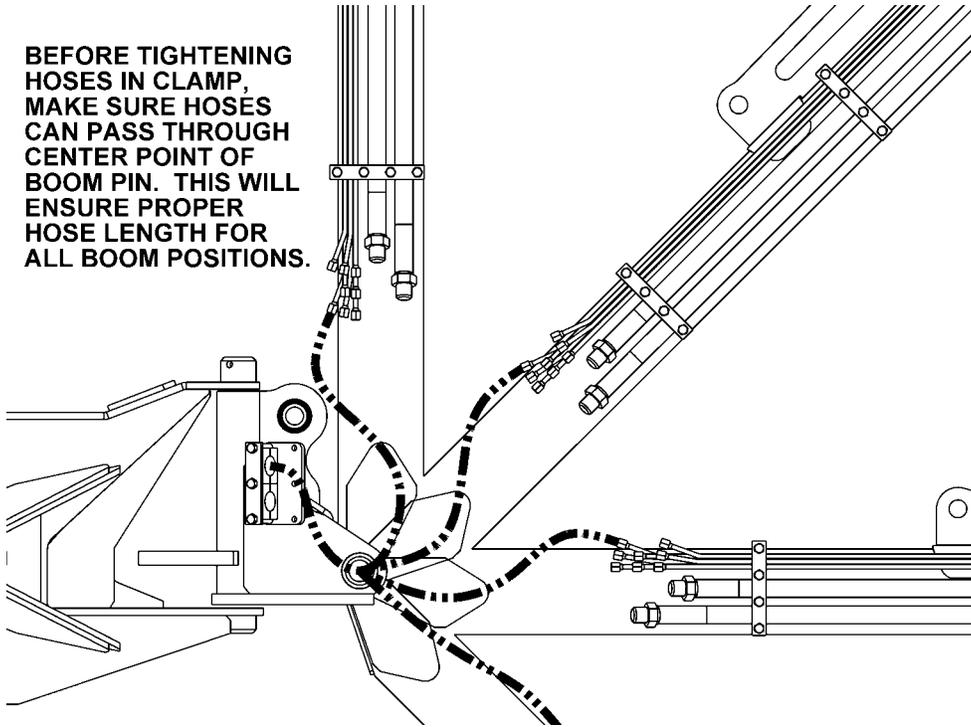
DANFOSS VALVE



ASSEMBLY

REAR STOW BENGAL HOSE ROUTING (CONT.)

BEFORE TIGHTENING
HOSES IN CLAMP,
MAKE SURE HOSES
CAN PASS THROUGH
CENTER POINT OF
BOOM PIN. THIS WILL
ENSURE PROPER
HOSE LENGTH FOR
ALL BOOM POSITIONS.



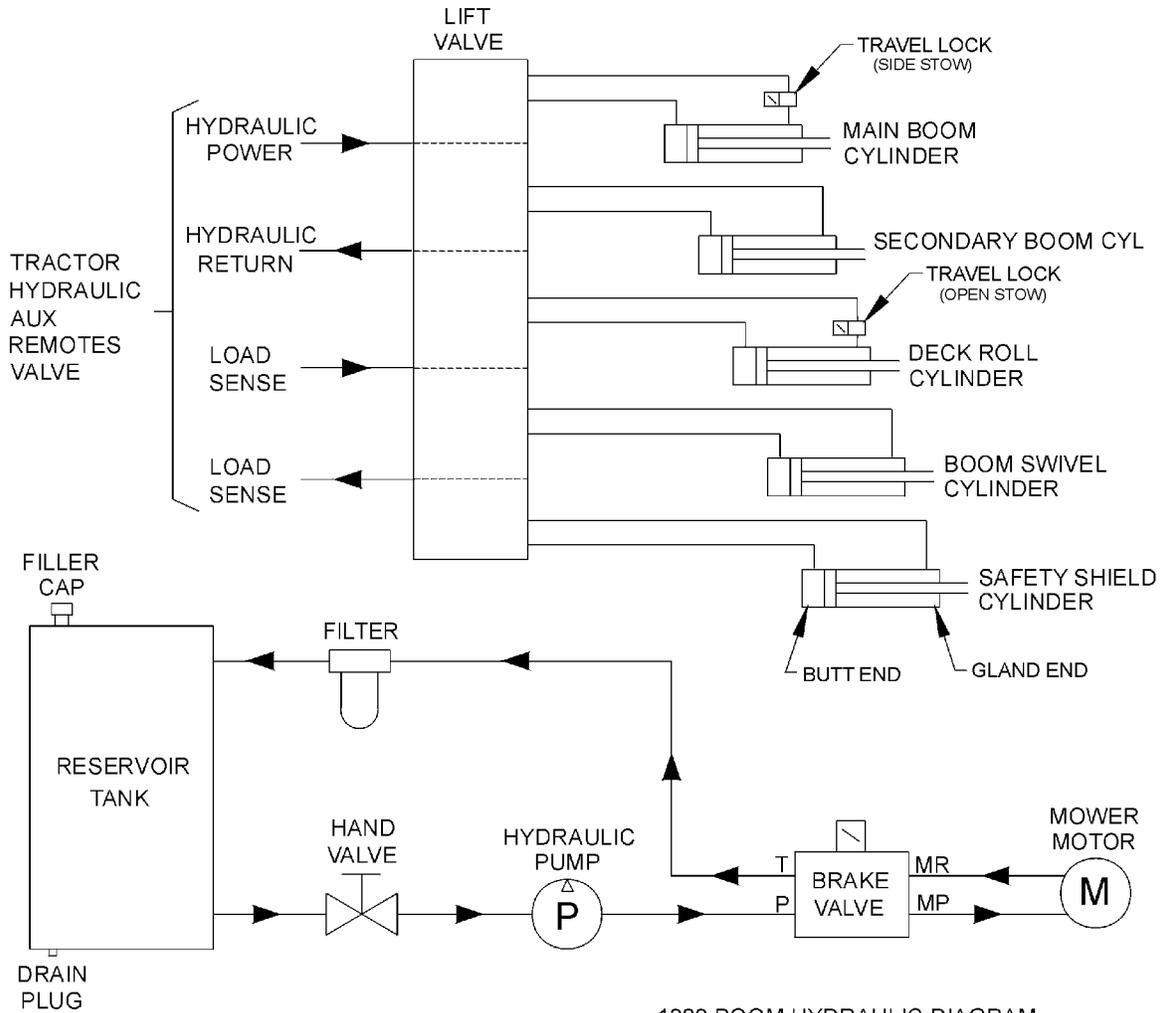
CE: a^ * ^ A @ A Q . ^ . / A @ A B a e] A @ A a a a @ . A A @ A A [[{ A [^ } a * A i a a ^ a e A Q , } A
 a a [c ^ E a a @ A F A [d i A Q . ^ . A [. ^ . a A @ A i a a ^ a e a a @ A c i } A Q . ^ A [. ^ . a A @ A
 a [[{ A a { E U } | A @ A Q . ^ . A } * A [{ A @ A , a ^ A A @ A [^ } a * A i a a ^ a e] . E a @ } A
 { a a A [[{ A A a | A i , a a E a a A a @ } A @ A Q . ^ . / A @ A B a e] E
 T a ^ A ^ ^ A @ A F A [d i A Q . ^ . A [A [a a A a @ A [[{ A a { A A [c ^ a a d A @ A d , a * A
] [. a a } E A a @ A a } ^ } . A @ A [d i A Q . ^ . A a | A Q . ^ A A A A Q i c } ^ a E a a e . ^ A @ i ^ A A [A
 { ^ & A Q . ^ A ^ c ^ } A a e] . E (ASM-30S, 3PS HOSE ROUTING-0001B)



ASSEMBLY

(ASM-C-0023)

BOOM HYDRAULIC DIAGRAM



ASSEMBLY



OPERATION SECTION

UJ ^!aa } ÁU^&a } ÁÆ

OPERATION

1. OPERATOR REQUIREMENTS

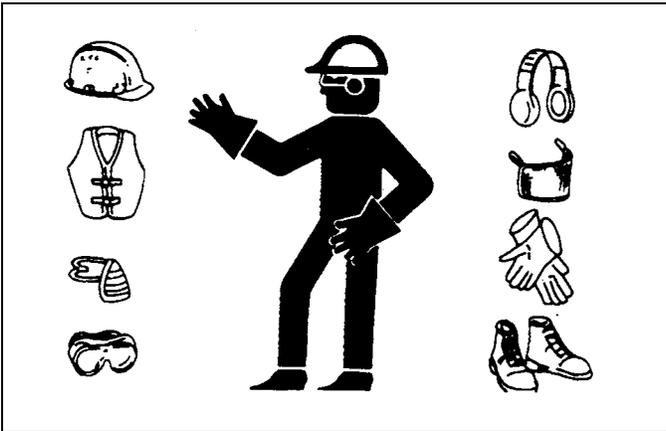
Úæ^Á] ^íæä } Á -Á@Á } æÁ Á@Á | ^• [] • ääæ Á -Áæ~ æäá áÁ] ^íæä | ÉÁÓÁ~ æäá áÁ] ^íæä | Á@Á ^æáÁ á ~ } á^í• æä á• Á@Á Ä] | ^{ ^ } óæä áÁææä | ÁU] ^íæä | çÁÄ æ } æ Áæä áÁæ Áæ] ^íæä } & áÁÄ Ä] | ^{ ^ } óæä áÁææä | [] ^íæä } Áæ äÁæ|Áæ • [&ææ áÁææc Á | æææ • ÉÁÓÁæááä } Ä Á@Á ææc Á ^••æ ^•Áæ } æä áÁÄ Á@Á æ } ææ •ææc Á æ } • Áæ^ÁææááÁÄ Á@Á Ä] | ^{ ^ } óæä áÁææä | ÉÁÓÁæ } Á æóÁ -Á@Á] ^íæä } Áæ äÁæ^Á •^Á -Á@Á ^~ ä { ^ } óæ Ä | óæ { | ^{ ^ } Á } á^í• ç [áÉæ] • | óæä Áæ ç | á^áÁææáÁæ | Áææ { | ^{ ^ } } æä } É

ÇÁ@Á] ^íæä | Áæ } [óÁæá@Á æ } æ Á | Á@Á { •^ | ç^• Á | Áæ | ^• Á [óæ { | ^{ ^ } Á } á^í• æä áÁ@Á] ^íæä } Á -Á@Á ^~ ä { ^ } óæá Á@Á^• [] • ääæ Á -Áæ~ ^íæä [| ÁÄ Á^æáÁæ áÁæ] æä Á@Á æ } æ Éææc Á | æææ • Éæä á [] ^íæä * Á • ç & ç } • ÁÄ Á@Á] ^íæä | É

Úæ^Á] ^íæä } Á -Á~ ä { ^ } óÁ~ á^• Á@Á@Á] ^íæä | Á ^æáÁ } | ç^áÁU^• [] æÁU: | ç&ç^ÁÖ~ ä { ^ } óÁUÓÈ } | Á@Á áÁæ | ááä } • Á @ } Áæææ@ * É] ^íæä * É^íçæä * Éæä áÁ^ } æä * Á@Á~ ä { ^ } óÁUÓÈ Áæ^á } ^áÁæ | | | çæ^Á] ^íæä | Á | | ç&ç } Áæ äÁæ &^ á^• Á@ÁÄ | | , ä * Áææc Á ^æK

PERSONAL PROTECTIVE EQUIPMENT (PPE)

- ~ Çæ æ^Á ^æÁææc ÁÖ|æ••
- ~ PæáÁææ
- ~ Úæ^ÁÄ | ÁUææc ÁÄ [ç ^æ
- ~ Ö | ç^•
- ~ P^æä * ÁU: | ç&ç }
- ~ Ö | •^Áæá * ÁÖ | çæ *
- ~ Ú^•] äæä | Á | ÁÖç^Áæ \ Áæ^Á^ } á^• Á } Á [] ^íæä * Áæ } ááä } • Ä (OPS-U-0002)



ΠΟΧΟΥΑ^•^Áí~ *•Á | Áææ | ç | Áæ { ^áææ^ Áæ^ | ^Á | Á @^Á] ^íæä * Á@Á V | æä | Áæä áÁÄ] | ^{ ^ } óÁÖ: ~ *•Áæ äÁ ææ | ç | Á, ä | Áæ^&óÁæ Á] ^íæä | ç æ^íç^••Áæ äÁæ | | áä æä } Áæ äÁ@Á^ | ^Áæ^&óÁ@Á] ^íæä | ç Áæääæ Áæ [] ^íæä Á@Á~ ä { ^ } óÁæ^ | ÉÁ~ | ^Á] ^íæä * Á@Á | æä | Á | ÁÄ] | ^{ ^ } óæä } Á] ^íæä | Á } Á | ^• & ä çä } Á | Á ç^íÉ@É } ç^Á ^áææä } Á ~ óæ } • | ç æ^ááæç | | ^••ä } æÁ^ æáä * Áæ ^ Áæ^Á~&• Á -Á@Á ^áææä } Á@æ , [^ | áÁ@ á^íÁ@ áÁæäæ Áæ Á] ^íæä Á@ÁÖ~ ä { ^ } óÁæ^ | ÉÁΠÓΧΟΥ \ } , ä * | Áæ | , Áæ ^ | ^Áæ Á] ^íæä Á@Á~ ä { ^ } óÁ @ } Á@áÁæ^íç^••Á | & [| áä æä } Áæ] æ^áÉU^íä • Áæ | ^Á | Áææ@Á -Á@Á] ^íæä | Á | Á ç | • & | | áÁ^ • | óæÁ@Á] ^íæä | Á } á^íÁ@Ä } ^ } &^ Á -Áí~ *•Á | Áææ | ç | Áæ | ÉÁÖÈÈ



OPERATION

VXÁÖ [{ U] ^íæä } ÁU&ç } ÁÉH

OPERATION



P^ç^i^i^] ^i^æ^A^@^A^i^æ^d^ |^æ^ å^AT^ [, ^i^A^M^] å^A^ å^Q^ ~^A^æ^ AU^U^A^U^] ^i^æ^ |^
 Ú^ | ^ç^å^ ^A^Ú^ ~^ &ç^ |^A^D^ |^A^O^æ^A^ç^ |^A^ |^ç^ ^ç^ å^ b^ i^ ^A^ |^ { |^ A^ à^b^ &ç^ A^ç^ |^ } ^A^ |^ {
 * |^ ~^ } å^A^ |^A^ |^ { |^ ç^ |^ @^ æ^A^å^ { |^ å^ * ^A^Ú^ |^ A^ |^ , |^ å^ * ^A^A^ |^ |^ ^i^ ^A^ |^A^ æ^ ^i^ ^a^
 æ^ ^A^ å^ç^ |^A^E^A^ ^ç^ |^A^ |^O^T^E^D^



2.3 Tractor Lighting and SMV Emblem

Q^@^A^æ^d^ |^A^ |^A^ ^i^æ^ å^A^ ^æ^A^ |^A^æ^ |^A^å^ } ^æ^
] ~^ à^æ^A^ |^ æ^ , æ^A^å^ ~^ ^ç^ ^A^ ~^ |^ å^] ^å^A^ å^ç^ |^ |^ ^i^
 , æ^ } å^ * ^A^ @^å^ * ^æ^ å^A^å^ |^ , ^A^ |^ ç^å^ * ^A^ ^ç^ |^A^ |^ X^D^
 ^ |^ à^ |^ { |^ @^ç^ ^æ^ ^A^ ^æ^ |^ ^ç^ å^ å^ |^A^ |^ { |^ A^ç^ ^æ^A^ ~
 @^A^ } å^A^ |^ |^ ^ç^æ^d^ |^ ç^A^ç^ ^æ^ ^A^å^ ^i^ ^ç^ ^å^ * ^A^ |^
 |^ |^ ^i^æ^å^ * ^æ^ å^A^ç^ } |^ |^ ç^å^ * ^A^å^ @^å^ * ^A^A^ ^A^ |^A^ |^ A^ç^
 d^æ^d^ |^A^ |^ ^i^æ^ |^ ç^A^ç^ æ^ ~^ æ^A^ |^A^ ^ç^ * ^A^ç^ ^A^ç^d^ |^ ç^
 |^ @^A^ , å^ç^å^ å^A^ |^ ^i^æ^å^ * ^A^ç^ |^ } ^A^å^ } æ^ ^A^



OPS-B-0017A

OPERATION

OPERATION

OPERATION

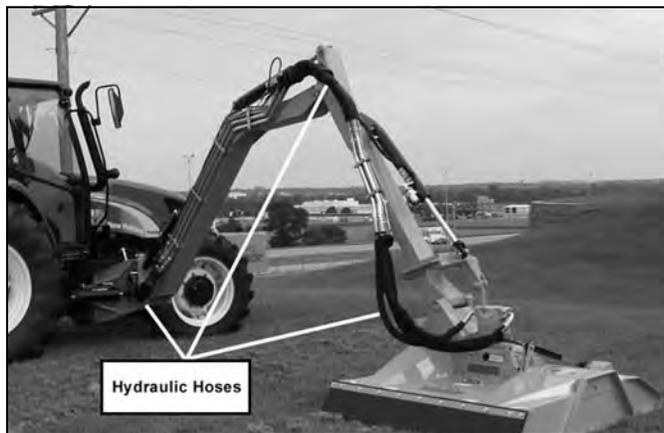
OPERATION



OPERATION

OPERATION

OPERATION



OPERATION

OPERATION

OPERATION

Boom PRE-OPERATION Inspection



Mower ID# _____ Make _____
 Date: _____ Shift _____



Before conducting the inspection, make sure the tractor engine is off, all rotation has stopped and the tractor is in park with the parking brake engaged. Make sure the mower is resting on the ground or securely blocked up and all hydraulic pressure has been relieved.

Table 1:

Item	Condition at Start of Shift	Specific Comments if not O.K.
The Operator's Manual is in the tractor		
All safety decals are in place and legible		
The mounting frame bolts are in place and tight		
The boom connection bolts & pins are tight		
There are no cracks in boom		
The hydraulic cylinders pins are tight		
The hydraulic pump hose connections are tight		
The hydraulic valve controls function properly		
There are no leaking or damaged hoses		
The hydraulic oil level is full		
There is no evidence of hydraulic leaks		
The blades are not chipped, cracked or bent		
The blade bolts are tight		
The deflectors are in place and in good condition		
The boom shields are in place and in good condition		
The skid shoes are in good condition and tight		
There are no cracks or holes in boom deck		
The hydraulic motor mounting bolts are tight		
The boom head spindle housing is tight and lubricated		

Operator's Signature: _____

DO NOT OPERATE an UNSAFE TRACTOR or MOWER

OPERATION

VX [{ U] ^ ! a a } A ^ & a } A E i

OPERATION

Tractor PRE-OPERATION Inspection



Mower ID# _____ Make _____

Date: _____ Shift _____



Before conducting the inspection, make sure the tractor engine is off, all rotation has stopped and the tractor is in park with the parking brake engaged. Make sure the mower is resting on the ground or securely blocked up and all hydraulic pressure has been relieved.

OPERATION

Item	Condition at Start of Shift	Specific Comments if not O.K.
The flashing lights function properly		
The SMV Sign is clean and visible		
The tires are in good condition with proper pressure		
The wheel lug bolts are tight		
The tractor brakes are in good condition		
The steering linkage is in good condition		
There are no visible oil leaks		
The hydraulic controls function properly		
The ROPS or ROBS Cab is in good condition		
The seatbelt is in place and in good condition		
The 3-point hitch is in good condition		
The drawbar pins are securely in place		
The PTO master shield is in place		
The engine oil level is full		
The brake fluid level is full		
The power steering fluid level is full		
The fuel level is adequate		
The engine coolant fluid level is full		
The radiator is free of debris		
The air filter is in good condition		

Operator's Signature: _____

DO NOT OPERATE an UNSAFE TRACTOR or MOWER

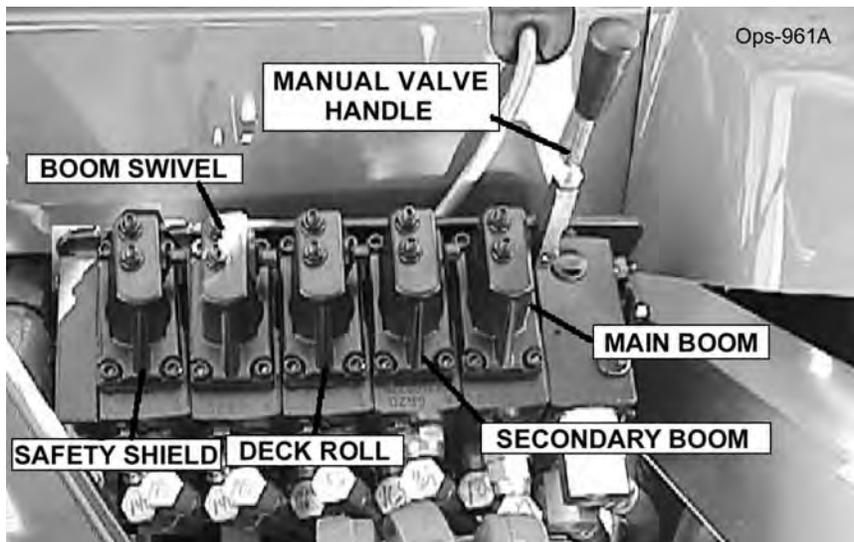
V@AQ • ^&ca } AQ ;{ A ae A^A^A^ A~ | Bae aA ; A cca& | a • E

VX AQ [{

U] ^ ! aae } A^&ca } A E J

OPERATION

NOTE: Pushing manual valve handles “out” or “away” from the tractor cab will bring the main boom “up”, secondary boom “out”, roll deck “out”, and swivel boom “aft”. Pulling manual handles toward cab will let main boom “down”, bring secondary boom “in”, roll deck “in”, swivel boom “forward”, and “close” the safety shield.



V@Á æ c!ÁÚ, æ&@þ [Á! [çã^•Á [, ^!Á Á@Á^&Á [æ&@þ [ã+ã)ãÁæ^!Á [&Á] •Á -Á@Á [, ^!ã& ÉÁ

CAUTION

V@Á^&Á [æÁ } &Á] Áæ [, •Á@Á! [~ } áÁ [^!Á -Á@ÁæÁ [, ^!Á@æÁ Á [] , Á@Á [ç ~! [-Á@Á! [~ } áÉÁ Á] ^!æ Á@Á^&Á [æÁ } &Á] É@Á æ c!Á, æ&@þ ~ •ó^Á Á@ÁÚþ+] [•æ] Áæ áÁ@Áæ^!Á [&Á, æ&@þ ~ •ó^Á Á@ÁÚþ+] [•æ] ÉÁ [, ^!Á@Á [, ^!Á@æ ç Á •ó~ &@Á! [~ } áÉ@ } Á! } Á@Á^&Á [æÁ, æ&@þ É

CAUTION

The Deck Float is to be used **ONLY** when the flail mower head is on the ground. The mower head **CANNOT** be controlled with the joystick when Deck Float is “ON”.

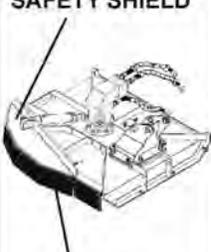
OPERATION

OPERATION

V@Á:æ^|ÁŠ & Á } & c } Á [& • Ác@Á' æ Áà [[{ Á Ác@Á'] ; @Á [• æ] Á ; Á [æ Ácæ^|É U!^ æ^Á } áÁ ; Á æ^|Á' Á [| | * Á & Á [] ^c' Á ~ Á [, ^|Á & Á [| | á Áæ Áæ } c } • ^ & } áæ^ Á [[{ V@Á:æ^|ÁŠ & Á , æ & Á [, Á^Á } * æ^áÉ

DANGER

SAFETY SHIELD & DEFLECTOR OPERATION

<p style="text-align: center; font-weight: bold;">SAFETY SHIELD</p>  <p style="text-align: center; font-weight: bold;">DEFLECTOR</p>	<ul style="list-style-type: none"> • Failure to close Safety Shield and Deflector may allow objects to be thrown outward with great force which can cause property damage, bodily injury, or death. <ol style="list-style-type: none"> 1. Keep Safety Shield and Deflector fully closed when cutting grass and weeds to reduce possibility of objects being thrown outward by the Blades if persons are in the area. 2. Before Cutting brush, trimming limbs, or other such operations, raise the Deflector and Safety Shield fully to allow the blades to contact the material if area is clear of passerby. Operator must stop cutting and close shield if passerby enters the thrown objects area or blade contact area. 3. Repair or replace Safety Shield and Deflectors as needed. 4. Always transport with Safety Shield and Deflector closed.
---	--

02967867

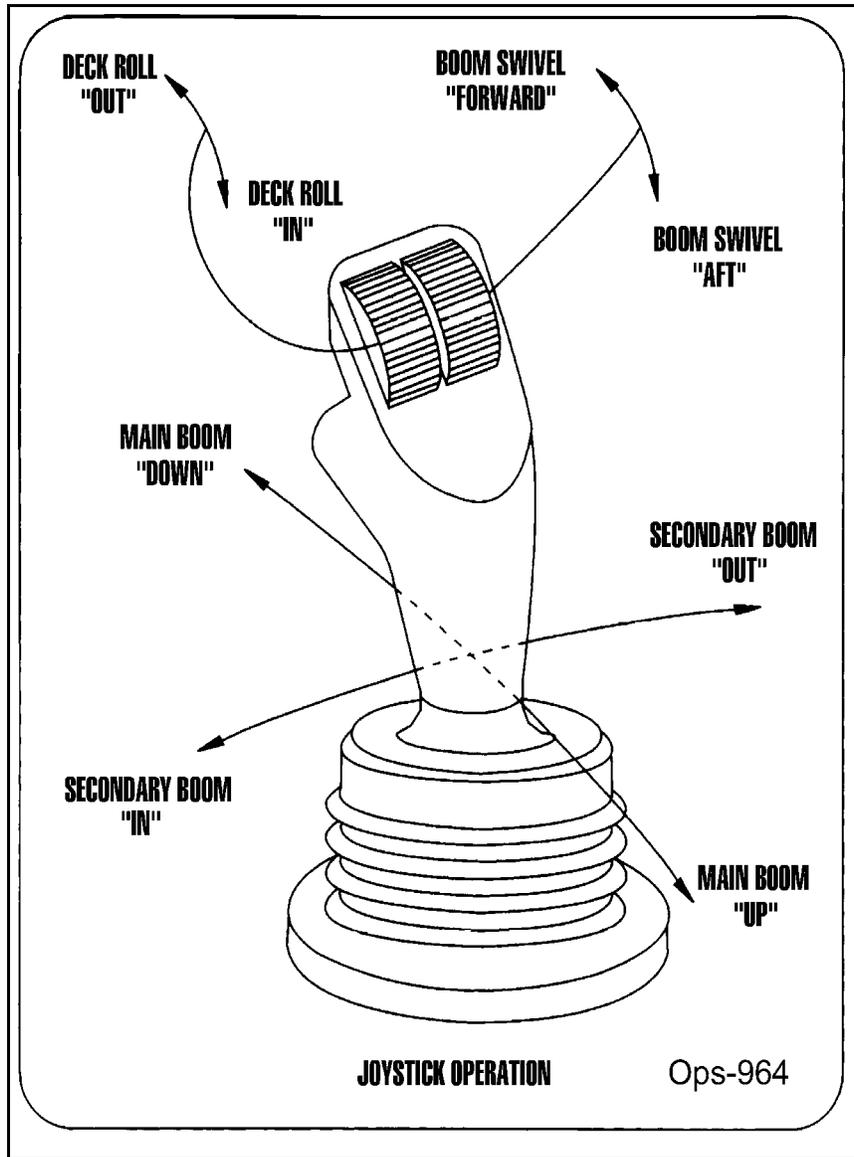
CAUTION

V@Á:æ^|ÁŠ & Á } & c } Á [& • Ác@Á' æ Áà [[{ Á Ác@Á'] ; @Á [• æ] Á ; Á [æ Ácæ^|É U!^ æ^Á } áÁ ; Á æ^|Á' Á [| | * Á & Á [] ^c' Á ~ Á [, ^|Á & Á [| | á Áæ Áæ } c } • ^ & } áæ^ Á [[{ V@Á:æ^|ÁŠ & Á , æ & Á [, Á^Á } * æ^áÉ

NOTE: The tractor ignition switch and the Master Switch must be "ON" and the Travel Lock must be "OFF" to allow articulation of the mower deck.

OPERATION

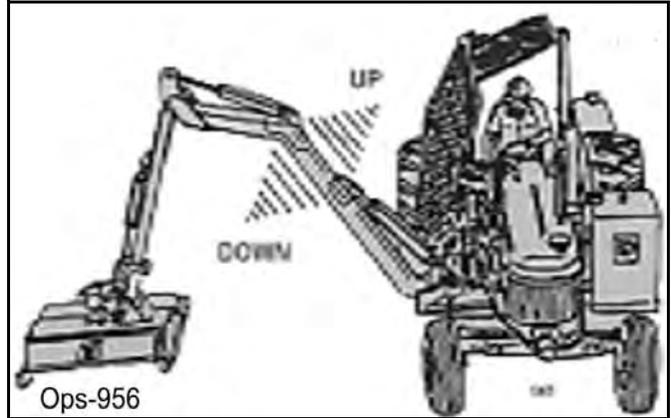
Joystick Functions



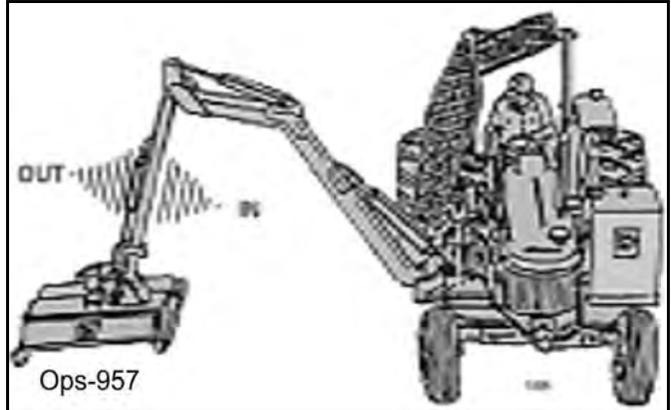
OPERATION

OPERATION

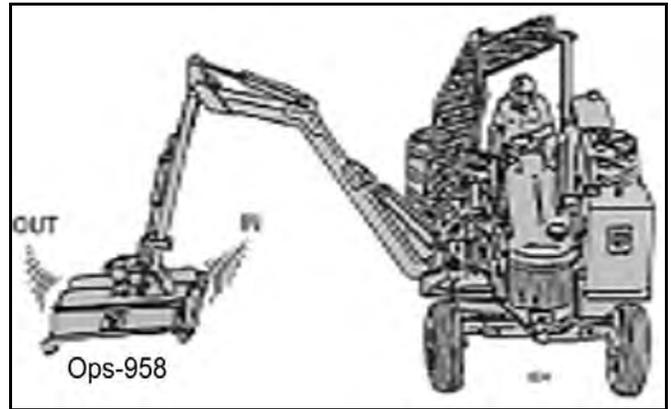
RU'YUV@SAY OBO@S@T UXOU@T @P@OUUT



RU'YUV@S@S@OV@T@P@V@T UXOU@A@O@OU@P@O@E@Y@OUUT



S@OV@RU'YUV@S@JU@S@S@OU@T UXOU@A@O@O@S@JU@S@S@



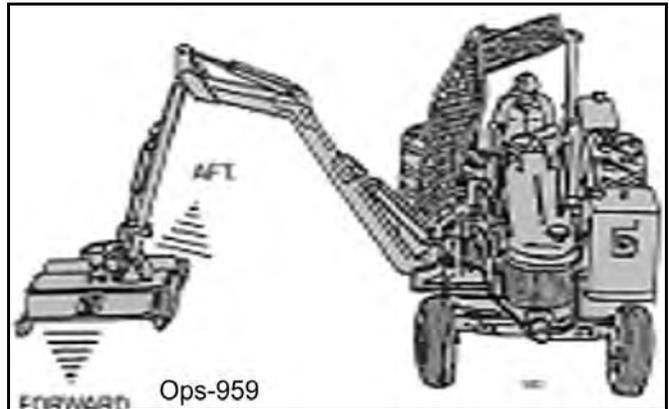
VX@O@ [{

U] ^! @@ } A^ & @ } A @ @

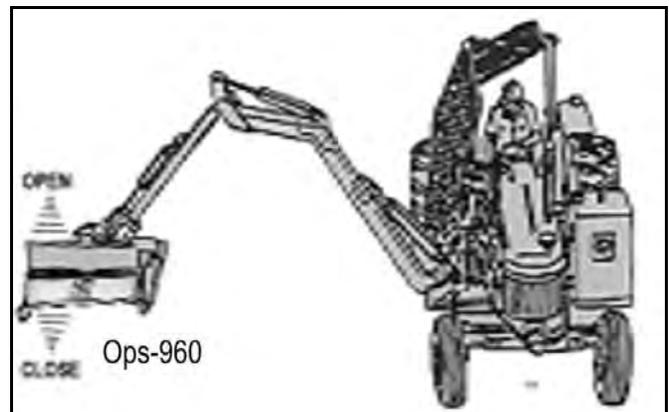
OPERATION

OPERATION

ÜPÖPVÁ RUÿÜVÖSÄÛUŠŠÖÜÄT UXÖÙ Á ÓUUT
 ÜY ÖÖŠ



ÜPÖŠÖÁ ÜY ÖÖPÖ} Á•, ä&@á à[ÖDÁ UÚÖÜÖVÖÙ
 ÜÖZÖVYÄPÖŠÖ



6.2 Manual Controls

ÖZÖ} d[|Äç^iÄ^&çÄä ä&çÄ@Ä}^Ä@, }Ä^|, Ä@~|äÄ^Ä^ä&çÄ@Ä} d[|ç&ç^ÄÄ^Ä{ ä äÄ@Ä}^iäç|Ä~
 çÄ^ç^iÄ} &ç}•È

DOWN ↑ MAIN BOOM ↓ UP	OUT ↑ SECONDARY BOOM ↓ IN	OUT ↑ DECK ROLL ↓ IN	FORWARD ↑ SWING ↓ BACKWARD	CLOSE ↑ SHIELD ↓ OPEN
-----------------------------------	---------------------------------------	----------------------------------	--	-----------------------------------

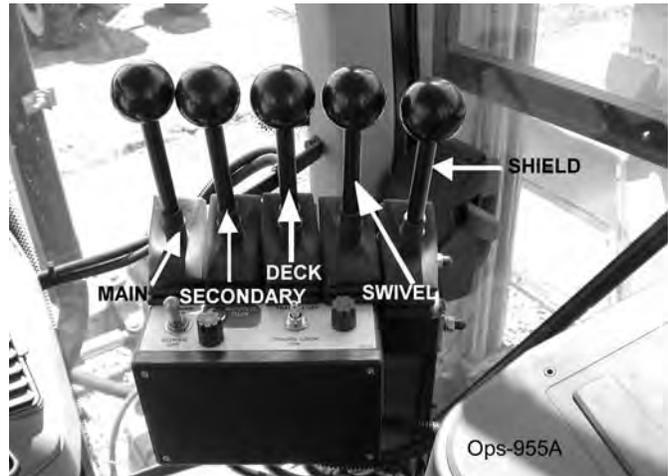
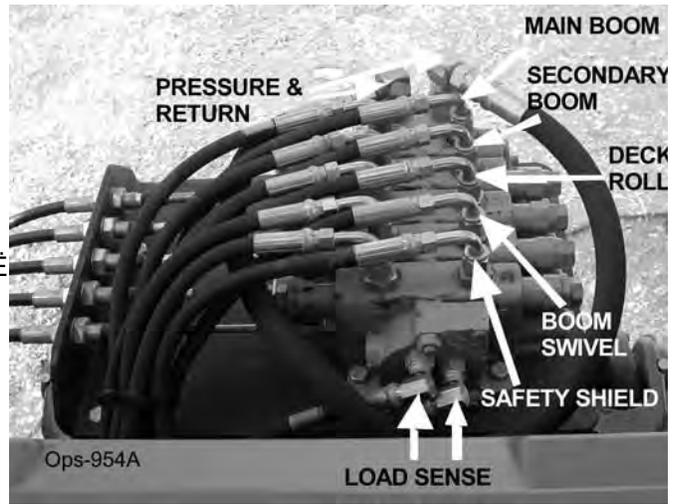
VXÖ [{

U^iäç} Ä^&ç} ÄÈÇ

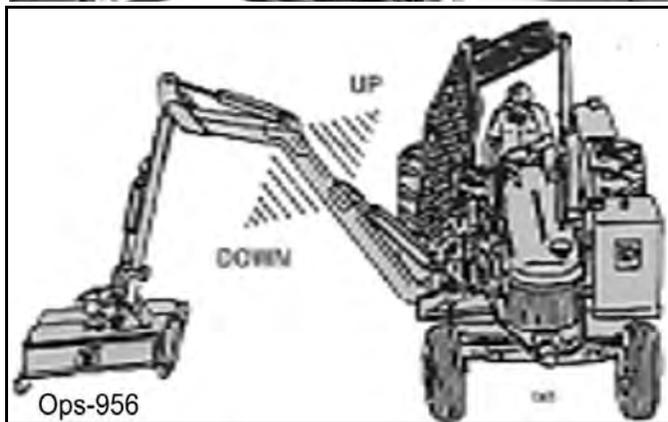
OPERATION

OPERATION

V@Á aä Á& } d | Áçaç^Á } Ác@Áv^!ÁÓ[[{ ÁT[. ^!
 @e Áã^Á^&ç } Á ä@ç^!^á^ } [[{ É[&æ^á^ ^æ
 @Áã @Áã^Á Ác@Ác^!ä * Á @^|ÉV@Á ç~ } &ç }
 [Ác^Á&ç } Á Ác@Áçaç^Áá [^Á] [ó^ ^&••äæ^Ác@
 !^] |æ^ { ^ } cÁ Ác@Á^ } cÁ^Á%æç \ +É[] ^ Ác@Á-æ |c
 •^&ç } ÉÖæç@Á^&ç } Á Ác@Áçaç^Á& } d | Ác@Á^! çæ
 [[{ •ä } Á Ác@Á[[{ Á!Á^& ÉU^æ^á^ Ác@Á] ^!æ }
 •^æÉc@Á& } d | Á^[[{ Á^Áç Áã @Ác^ÁÁFÉ!ä æ^
 Ç aä Dá[[{ ÉÁÇÉ^& } áæ^ Áá[[{ ÉÁHÉá^& Á[[ÉÁ É
 à[[{ Á, ä^|D, ä * Éæ) áÁÍ Éá[[{ Áçæ^c D @|äÉ



ŠÒXÒÙÁFÁŦ ÇÉÁÓÚUT



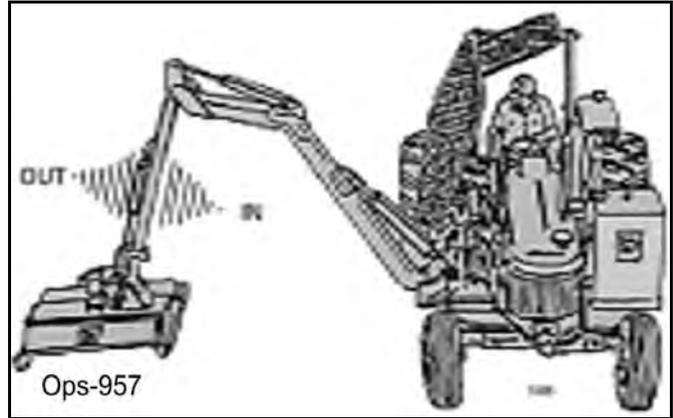
VXÁ[[{

U]^!æ } Á^&ç } ÁÉÉ

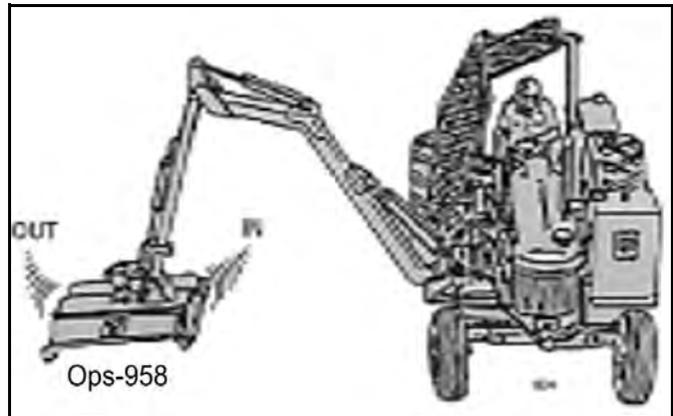
OPERATION

OPERATION

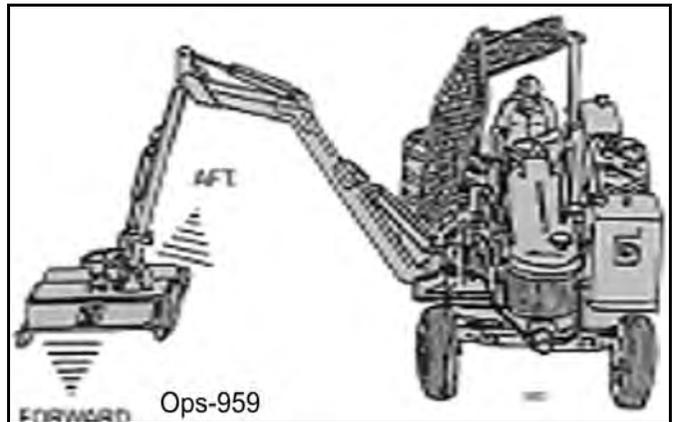
ΣΧΟΔΙΑΣΜΟΣ ΟΡΟΦΩΝ



ΣΧΟΔΙΑΣΜΟΣ ΟΡΟΦΩΝ



ΣΧΟΔΙΑΣΜΟΣ ΟΡΟΦΩΝ



ΣΧΟΔΙΑΣΜΟΣ ΟΡΟΦΩΝ

ΣΧΟΔΙΑΣΜΟΣ ΟΡΟΦΩΝ

OPERATION



02. 20. 21. 22. 23. 24. 25. 26. 27. 28. 29. 30. 31. 32. 33. 34. 35. 36. 37. 38. 39. 40. 41. 42. 43. 44. 45. 46. 47. 48. 49. 50. 51. 52. 53. 54. 55. 56. 57. 58. 59. 60. 61. 62. 63. 64. 65. 66. 67. 68. 69. 70. 71. 72. 73. 74. 75. 76. 77. 78. 79. 80. 81. 82. 83. 84. 85. 86. 87. 88. 89. 90. 91. 92. 93. 94. 95. 96. 97. 98. 99. 100. 101. 102. 103. 104. 105. 106. 107. 108. 109. 110. 111. 112. 113. 114. 115. 116. 117. 118. 119. 120. 121. 122. 123. 124. 125. 126. 127. 128. 129. 130. 131. 132. 133. 134. 135. 136. 137. 138. 139. 140. 141. 142. 143. 144. 145. 146. 147. 148. 149. 150. 151. 152. 153. 154. 155. 156. 157. 158. 159. 160. 161. 162. 163. 164. 165. 166. 167. 168. 169. 170. 171. 172. 173. 174. 175. 176. 177. 178. 179. 180. 181. 182. 183. 184. 185. 186. 187. 188. 189. 190. 191. 192. 193. 194. 195. 196. 197. 198. 199. 200. 201. 202. 203. 204. 205. 206. 207. 208. 209. 210. 211. 212. 213. 214. 215. 216. 217. 218. 219. 220. 221. 222. 223. 224. 225. 226. 227. 228. 229. 230. 231. 232. 233. 234. 235. 236. 237. 238. 239. 240. 241. 242. 243. 244. 245. 246. 247. 248. 249. 250. 251. 252. 253. 254. 255. 256. 257. 258. 259. 260. 261. 262. 263. 264. 265. 266. 267. 268. 269. 270. 271. 272. 273. 274. 275. 276. 277. 278. 279. 280. 281. 282. 283. 284. 285. 286. 287. 288. 289. 290. 291. 292. 293. 294. 295. 296. 297. 298. 299. 300. 301. 302. 303. 304. 305. 306. 307. 308. 309. 310. 311. 312. 313. 314. 315. 316. 317. 318. 319. 320. 321. 322. 323. 324. 325. 326. 327. 328. 329. 330. 331. 332. 333. 334. 335. 336. 337. 338. 339. 340. 341. 342. 343. 344. 345. 346. 347. 348. 349. 350. 351. 352. 353. 354. 355. 356. 357. 358. 359. 360. 361. 362. 363. 364. 365. 366. 367. 368. 369. 370. 371. 372. 373. 374. 375. 376. 377. 378. 379. 380. 381. 382. 383. 384. 385. 386. 387. 388. 389. 390. 391. 392. 393. 394. 395. 396. 397. 398. 399. 400. 401. 402. 403. 404. 405. 406. 407. 408. 409. 410. 411. 412. 413. 414. 415. 416. 417. 418. 419. 420. 421. 422. 423. 424. 425. 426. 427. 428. 429. 430. 431. 432. 433. 434. 435. 436. 437. 438. 439. 440. 441. 442. 443. 444. 445. 446. 447. 448. 449. 450. 451. 452. 453. 454. 455. 456. 457. 458. 459. 460. 461. 462. 463. 464. 465. 466. 467. 468. 469. 470. 471. 472. 473. 474. 475. 476. 477. 478. 479. 480. 481. 482. 483. 484. 485. 486. 487. 488. 489. 490. 491. 492. 493. 494. 495. 496. 497. 498. 499. 500. 501. 502. 503. 504. 505. 506. 507. 508. 509. 510. 511. 512. 513. 514. 515. 516. 517. 518. 519. 520. 521. 522. 523. 524. 525. 526. 527. 528. 529. 530. 531. 532. 533. 534. 535. 536. 537. 538. 539. 540. 541. 542. 543. 544. 545. 546. 547. 548. 549. 550. 551. 552. 553. 554. 555. 556. 557. 558. 559. 560. 561. 562. 563. 564. 565. 566. 567. 568. 569. 570. 571. 572. 573. 574. 575. 576. 577. 578. 579. 580. 581. 582. 583. 584. 585. 586. 587. 588. 589. 590. 591. 592. 593. 594. 595. 596. 597. 598. 599. 600. 601. 602. 603. 604. 605. 606. 607. 608. 609. 610. 611. 612. 613. 614. 615. 616. 617. 618. 619. 620. 621. 622. 623. 624. 625. 626. 627. 628. 629. 630. 631. 632. 633. 634. 635. 636. 637. 638. 639. 640. 641. 642. 643. 644. 645. 646. 647. 648. 649. 650. 651. 652. 653. 654. 655. 656. 657. 658. 659. 660. 661. 662. 663. 664. 665. 666. 667. 668. 669. 670. 671. 672. 673. 674. 675. 676. 677. 678. 679. 680. 681. 682. 683. 684. 685. 686. 687. 688. 689. 690. 691. 692. 693. 694. 695. 696. 697. 698. 699. 700. 701. 702. 703. 704. 705. 706. 707. 708. 709. 710. 711. 712. 713. 714. 715. 716. 717. 718. 719. 720. 721. 722. 723. 724. 725. 726. 727. 728. 729. 730. 731. 732. 733. 734. 735. 736. 737. 738. 739. 740. 741. 742. 743. 744. 745. 746. 747. 748. 749. 750. 751. 752. 753. 754. 755. 756. 757. 758. 759. 760. 761. 762. 763. 764. 765. 766. 767. 768. 769. 770. 771. 772. 773. 774. 775. 776. 777. 778. 779. 780. 781. 782. 783. 784. 785. 786. 787. 788. 789. 790. 791. 792. 793. 794. 795. 796. 797. 798. 799. 800. 801. 802. 803. 804. 805. 806. 807. 808. 809. 810. 811. 812. 813. 814. 815. 816. 817. 818. 819. 820. 821. 822. 823. 824. 825. 826. 827. 828. 829. 830. 831. 832. 833. 834. 835. 836. 837. 838. 839. 840. 841. 842. 843. 844. 845. 846. 847. 848. 849. 850. 851. 852. 853. 854. 855. 856. 857. 858. 859. 860. 861. 862. 863. 864. 865. 866. 867. 868. 869. 870. 871. 872. 873. 874. 875. 876. 877. 878. 879. 880. 881. 882. 883. 884. 885. 886. 887. 888. 889. 890. 891. 892. 893. 894. 895. 896. 897. 898. 899. 900. 901. 902. 903. 904. 905. 906. 907. 908. 909. 910. 911. 912. 913. 914. 915. 916. 917. 918. 919. 920. 921. 922. 923. 924. 925. 926. 927. 928. 929. 930. 931. 932. 933. 934. 935. 936. 937. 938. 939. 940. 941. 942. 943. 944. 945. 946. 947. 948. 949. 950. 951. 952. 953. 954. 955. 956. 957. 958. 959. 960. 961. 962. 963. 964. 965. 966. 967. 968. 969. 970. 971. 972. 973. 974. 975. 976. 977. 978. 979. 980. 981. 982. 983. 984. 985. 986. 987. 988. 989. 990. 991. 992. 993. 994. 995. 996. 997. 998. 999. 1000.



8. OPERATING THE BOOM UNIT AND ATTACHED HEAD

THE OPERATOR MUST COMPLETELY UNDERSTAND HOW TO OPERATE THE TRACTOR AND MOWER AND ALL CONTROLS BEFORE ATTEMPTING TO MOW.

OPERATION

The operator must understand how to operate the tractor and mower and all controls before attempting to mow.

The operator must understand how to operate the tractor and mower and all controls before attempting to mow.

The operator must understand how to operate the tractor and mower and all controls before attempting to mow.



The operator must understand how to operate the tractor and mower and all controls before attempting to mow.



The operator must understand how to operate the tractor and mower and all controls before attempting to mow.



The operator must understand how to operate the tractor and mower and all controls before attempting to mow.

The operator must understand how to operate the tractor and mower and all controls before attempting to mow.

OPERATION

OPERATION

T æ ^ A ~ | ^ A c @ A d | A | æ @ * A æ } a * A a @ È
 @ æ | a @ È æ } a a à | æ ^ È æ | a @ A æ ^ A ~ } & ç } a *
 | | | ^ | ^ A a ^ | ^ A | | & ^ a a * A [] ç A ~ | a | A | | æ È
 Y @ A ^ , ^ | A [à | A | æ ç | • A c @ A | ^ | c A A a @
 ç A | | ç æ A a æ } a * A a } æ ^ a A | ^ | a æ * A a @ * È
 { [• A | | a ^ | A { [à | ^ A , @ | ^ A | } | ^ A ~ a] ^ a A , æ @
 [] ^ | a æ * A | a @ È A O [] • | a æ æ æ @ | a ^ a A d æ ç |
 à ^ a | A | | A a @ * A a a æ a A [à a æ æ } • A c æ æ æ |
 ç A ~ | a æ ^ A c @ A | a @ * A [] A | a ^ | A d æ ç | A | [à | ^ È
 OPS-B-0015



Op-103

Y @ } A [] ^ | a æ * A [] A ~ | a | A | | a æ È @ c ^
 & | } • æ ^ | a æ } A | A c @ | A | a æ A • A | È U | | A | A c @ A a ^
 [- A c @ A | a æ A & æ æ } æ | A | A æ | | , A æ | A | | | , a * A | æ - æ
 ç A æ È O [A [ç A & ^ a A c @ A * æ A] ^ a A a a ^ a æ
 ^ | ^ | A c @ A | A | ^ } æ a æ A | A æ | æ | ç | a æ A d æ ç | • È
 O È æ • A c æ A æ | a | a @ } A | a æ } [| ç * A c @ A | a æ ç | A æ a
 { [, ^ | A | } A | a | a | a | a æ È O] ^ a æ | A a | ^ • A & a • È
 c @ A | [{ A c ^ } a • A | A a @ A c c @ | A c @ } A c @ A | a æ ç | •
 , æ c @ A | A ^ A c æ ^ | A c @ | A a ^ A | A • c æ a | • È [| ^ È
 | æ ^ A | a d ^ & ç } • A | A æ ^ A ^ a @ A • A c @ A | a æ A a ^ a
] a æ A - A c @ A | , ^ | A c æ A | A | [{ È A ^ A a æ ç } A æ a
 | a ^ & A] ^ a a A c @ | A ^ a | • A | A | a ^ a d æ } • A æ ^ a
 c @ A a æ OPS-B-0016



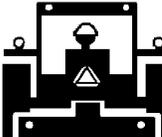
Op-104



DANGER: Do not operate the tractor on a slope greater than 15 degrees. The operator must be seated and hold the steering wheel at all times. Do not drink alcohol or use drugs before operating the tractor.



WARNING: Do not operate the tractor on a slope greater than 15 degrees. The operator must be seated and hold the steering wheel at all times. Do not drink alcohol or use drugs before operating the tractor.



MAINTENANCE SECTION

T aq c} a} &^Á^&c} Á E

MAINTENANCE

WARNING

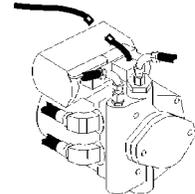
Do not use the engine for any purpose other than that intended. Do not use the engine for any purpose other than that intended.

WARNING

Do not use the engine for any purpose other than that intended. Do not use the engine for any purpose other than that intended.

DANGER

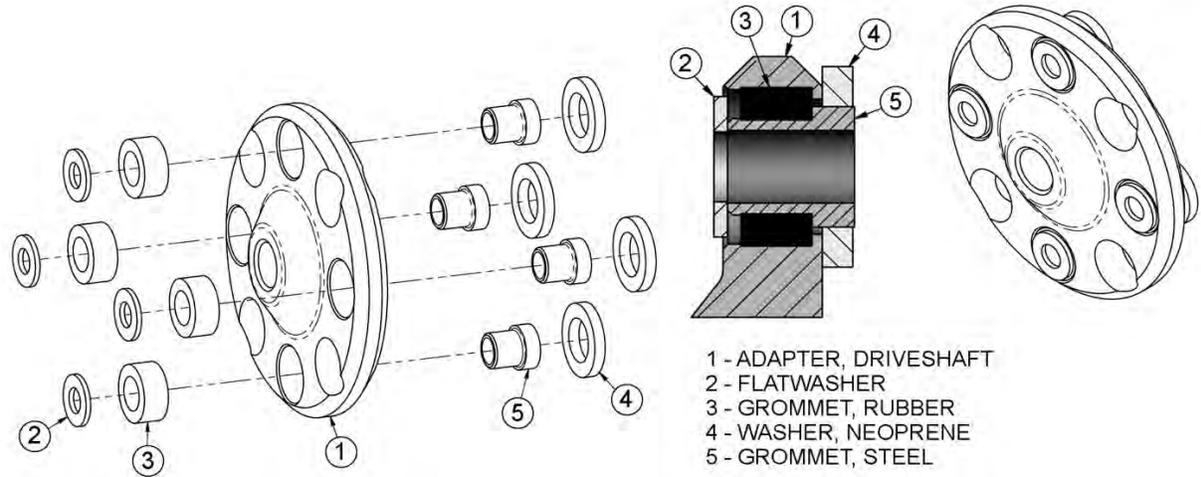
Do not use the engine for any purpose other than that intended. Do not use the engine for any purpose other than that intended.



MAINTENANCE

MAINTENANCE OF CRANKSHAFT ADAPTER ASSEMBLY (RIGID ENGINE MOUNT TRACTORS ONLY)

For information on the correct use of the engine, see the operator's manual. For information on the correct use of the engine, see the operator's manual.



- 1 - ADAPTER, DRIVESHAFT
- 2 - FLATWASHER
- 3 - GROMMET, RUBBER
- 4 - WASHER, NEOPRENE
- 5 - GROMMET, STEEL

MAINTENANCE

MAINTENANCE

Ö: [~ } áÄÜ [| |]

á^æá^á^æ } æ } &^Á^&ç }

WEEKLY OR EVERY 40 HOURS

QÖT /~~~~~ÜÖÜXÖÖ~~~~~ÖUT T ÖP VÜ

Ü [æ^ Ä] á á^

Š^ à:ææ

Öç^ Á^ Á^ç^ | • Ä | Ä^ |

WEEKLY OR EVERY 50 HOURS

QÖT

ÜÖÜXÖÖ

ÖUT T ÖP VÜ

Q Á^æ \ Á^ á^ç^ á
Öç^ |
10 micron filterD

Öç^ *^

Öç^ *^ Á^ç^ | Á^ • Ö^ Á^ ç^ |
Q^ | • Ä } | Ä^ } | Á^ ç^ |
í ç^ Á^ Q^ | • Ä | Á^ ç^ |

Q Š^á^ Á^ á^ ç^ |
Öç^ |
10 micron filterD

Öç^ *^

Öç^ *^ Á^ç^ | Á^ • Ö^ Á^ ç^ |
Q^ | • Ä } | Ä^ } | Á^ ç^ |
í ç^ Á^ Q^ | • Ä | Á^ ç^ |

MONTHLY OR EVERY 150 HOURS

ITEM

SERVICE

COMMENTS

P^ á:æ | á^ç^ á^ ç^ | Á^

Öç^ &

Öá^á^ Á^ á^ á^

P^ á^á^æ \ Á^ Á^ ç^ |

Ö |^æ | Öç^ & | ç^ | | æ^

Ö |^æ | Ä | Á^ | | æ^
^ | { ^ } Ö^ Á^ ~ á^ á^

Ü^æ Á^ á^ Á^] ^
| | Ö^ Ü^ H^
F | Ö^ Ö^ |
F | Ö^ Ö^ |

T æ^ Á^ Ö^ Ö^
~~~~~  
~~~~~  
~~~~~

## YEARLY OR EVERY 500 HOURS

ITEM

SERVICE

COMMENTS

Ü ] á á^ Á^ Á^ ^  
P^ á^á^æ \ Á^ á^  
Q Á^æ \ Á^ á^ç^ á^ ç^ |  
**10 micron filterD**

Öç^ \*^  
Öç^ \*^  
Öç^ \*^

Öç^ \*^ Á^ ç^ | } á^ á^æ^ á^  
á^ Á^ • ç^ ç^ } á^ á^æ^ | É

Q Š^á^ Á^ Á^ ç^ |  
**10 micron filterD**

Öç^ \*^      ~~~~ |

Öç^ \*^ Á^ ç^ | } á^ á^æ^ á^  
á^ Á^ • ç^ ç^ } á^ á^æ^ | É

P^ á^á^æ \ Á^ Á^ ç^ |

Öç^ \*^

Ö [ {

T æ^ ç^ } æ } &^ Á^ &ç } Á^ É





# MAINTENANCE

MAINTENANCE

## TROUBLESHOOTING (CONTINUED)

| SYMPTOM                                 | CAUSE                                                                                                                                                                                                                                       | ACTION                                                                                                                                                                                                               |
|-----------------------------------------|---------------------------------------------------------------------------------------------------------------------------------------------------------------------------------------------------------------------------------------------|----------------------------------------------------------------------------------------------------------------------------------------------------------------------------------------------------------------------|
| <b>Motor runs but will not cut</b>      | <ul style="list-style-type: none"> <li>• Fuel tank empty</li> <li>• Fuel filter clogged</li> <li>• Air filter dirty</li> <li>• Spark plug fouled or worn</li> <li>• Mower deck too high</li> <li>• Mower deck clogged with grass</li> </ul> | <ul style="list-style-type: none"> <li>• Add fuel</li> <li>• Replace fuel filter</li> <li>• Clean or replace air filter</li> <li>• Replace spark plug</li> <li>• Adjust deck height</li> <li>• Clean deck</li> </ul> |
| <b>Mower turns slowly or not at all</b> | <ul style="list-style-type: none"> <li>• Mower deck too high</li> <li>• Mower deck clogged with grass</li> <li>• Blade dull</li> <li>• Blade bent</li> <li>• Blade damaged</li> </ul>                                                       | <ul style="list-style-type: none"> <li>• Adjust deck height</li> <li>• Clean deck</li> <li>• Sharpen or replace blade</li> <li>• Replace bent or damaged blade</li> </ul>                                            |
| <b>Pump will not work</b>               | <ul style="list-style-type: none"> <li>• Fuel tank empty</li> <li>• Fuel filter clogged</li> <li>• Fuel line clogged</li> </ul>                                                                                                             | <ul style="list-style-type: none"> <li>• Add fuel</li> <li>• Replace fuel filter</li> <li>• Clean fuel line</li> </ul>                                                                                               |
| <b>Motor will not work</b>              | <ul style="list-style-type: none"> <li>• Fuel tank empty</li> <li>• Fuel filter clogged</li> <li>• Air filter dirty</li> <li>• Spark plug fouled or worn</li> <li>• Mower deck too high</li> <li>• Mower deck clogged with grass</li> </ul> | <ul style="list-style-type: none"> <li>• Add fuel</li> <li>• Replace fuel filter</li> <li>• Clean or replace air filter</li> <li>• Replace spark plug</li> <li>• Adjust deck height</li> <li>• Clean deck</li> </ul> |

MAINTENANCE

# MAINTENANCE

MAINTENANCE

| Torque for Standard Fasteners |                  |                                                                                           |            |           |                                                                                           |            |            |                                                                                           |            |            |                                                                                             |            |            |
|-------------------------------|------------------|-------------------------------------------------------------------------------------------|------------|-----------|-------------------------------------------------------------------------------------------|------------|------------|-------------------------------------------------------------------------------------------|------------|------------|---------------------------------------------------------------------------------------------|------------|------------|
| Nominal Dia.<br>(in.)         | threads per inch |  Grade 2 |            |           |  Grade 5 |            |            |  Grade 8 |            |            |  Grade 9 |            |            |
|                               |                  | Tightening Torque                                                                         |            |           | Tightening Torque                                                                         |            |            | Tightening Torque                                                                         |            |            | Tightening Torque                                                                           |            |            |
|                               |                  | Lubed                                                                                     | Dry Plated | Dry plain | Lubed                                                                                     | Dry Plated | Dry plain  | Lubed                                                                                     | Dry Plated | Dry plain  | Lubed                                                                                       | Dry Plated | Dry plain  |
|                               |                  | K = 0.15                                                                                  | K = 0.17   | K = 0.20  | K = 0.15                                                                                  | K = 0.17   | K = 0.20   | K = 0.15                                                                                  | K = 0.17   | K = 0.20   | K = 0.15                                                                                    | K = 0.17   | K = 0.20   |
| Unified Coarse Thread Series  |                  |                                                                                           |            |           |                                                                                           |            |            |                                                                                           |            |            |                                                                                             |            |            |
| 1/4                           | 20               | 49 in-lbs                                                                                 | 59 in-lbs  | 66 in-lbs | 76 in-lbs                                                                                 | 86 in-lbs  | 101 in-lbs | 107 in-lbs                                                                                | 122 in-lbs | 143 in-lbs | 126 in-lbs                                                                                  | 143 in-lbs | 168 in-lbs |
| 5/16                          | 18               | 101                                                                                       | 122        | 135       | 157                                                                                       | 178        | 209        | 221                                                                                       | 251        | 295        | 259                                                                                         | 294        | 346        |
| 3/8                           | 16               | 15 ft-lbs                                                                                 | 18 ft-lbs  | 20 ft-lbs | 23 ft-lbs                                                                                 | 26 ft-lbs  | 31 ft-lbs  | 33 ft-lbs                                                                                 | 37 ft-lbs  | 44 ft-lbs  | 39 ft-lbs                                                                                   | 43 ft-lbs  | 51 ft-lbs  |
| 7/16                          | 14               | 24                                                                                        | 29         | 32        | 37                                                                                        | 42         | 49         | 52                                                                                        | 59         | 70         | 61                                                                                          | 70         | 82         |
| 1/2                           | 13               | 37                                                                                        | 44         | 49        | 57                                                                                        | 64         | 75         | 80                                                                                        | 90         | 106        | 94                                                                                          | 106        | 125        |
| 9/16                          | 12               | 53                                                                                        | 63         | 70        | 82                                                                                        | 92         | 109        | 115                                                                                       | 130        | 154        | 135                                                                                         | 153        | 180        |
| 5/8                           | 11               | 73                                                                                        | 87         | 97        | 113                                                                                       | 128        | 150        | 159                                                                                       | 180        | 212        | 186                                                                                         | 211        | 248        |
| 3/4                           | 10               | 129                                                                                       | 155        | 172       | 200                                                                                       | 227        | 267        | 282                                                                                       | 320        | 376        | 331                                                                                         | 375        | 441        |
| 7/8                           | 9                | 125                                                                                       | 150        | 167       | 322                                                                                       | 365        | 429        | 455                                                                                       | 515        | 606        | 533                                                                                         | 604        | 710        |
| 1                             | 8                | 187                                                                                       | 225        | 250       | 483                                                                                       | 547        | 644        | 681                                                                                       | 772        | 909        | 799                                                                                         | 905        | 1065       |
| 1 1/8                         | 7                | 266                                                                                       | 319        | 354       | 596                                                                                       | 675        | 794        | 836                                                                                       | 966        | 1132       | 988                                                                                         | 1132       | 1333       |
| 1 1/4                         | 7                | 375                                                                                       | 450        | 500       | 840                                                                                       | 952        | 1121       | 1163                                                                                      | 1333       | 1545       | 1333                                                                                        | 1510       | 1730       |
| 1 1/2                         | 6                | 652                                                                                       | 783        | 869       | 1462                                                                                      | 1657       | 1950       | 2031                                                                                      | 2333       | 2688       | 2333                                                                                        | 2688       | 3100       |
| Fine Thread Series            |                  |                                                                                           |            |           |                                                                                           |            |            |                                                                                           |            |            |                                                                                             |            |            |
| 1/4                           | 28               | 56 in-lbs                                                                                 | 68 in-lbs  | 75 in-lbs | 87 in-lbs                                                                                 | 99 in-lbs  | 116 in-lbs | 123 in-lbs                                                                                | 139 in-lbs | 164 in-lbs | 144 in-lbs                                                                                  | 163 in-lbs | 192 in-lbs |
| 5/16                          | 24               | 112                                                                                       | 135        | 150       | 174                                                                                       | 197        | 231        | 245                                                                                       | 278        | 327        | 287                                                                                         | 325        | 383        |
| 3/8                           | 24               | 17 ft-lbs                                                                                 | 20 ft-lbs  | 23 ft-lbs | 26 ft-lbs                                                                                 | 30 ft-lbs  | 35 ft-lbs  | 37 ft-lbs                                                                                 | 42 ft-lbs  | 49 ft-lbs  | 43 ft-lbs                                                                                   | 49 ft-lbs  | 58 ft-lbs  |
| 7/16                          | 20               | 27                                                                                        | 32         | 36        | 41                                                                                        | 47         | 55         | 58                                                                                        | 66         | 78         | 68                                                                                          | 78         | 91         |
| 1/2                           | 20               | 41                                                                                        | 49         | 55        | 64                                                                                        | 72         | 85         | 90                                                                                        | 102        | 120        | 105                                                                                         | 120        | 141        |
| 9/16                          | 18               | 59                                                                                        | 71         | 78        | 91                                                                                        | 103        | 121        | 128                                                                                       | 146        | 171        | 151                                                                                         | 171        | 201        |
| 5/8                           | 18               | 82                                                                                        | 99         | 110       | 127                                                                                       | 144        | 170        | 180                                                                                       | 204        | 240        | 211                                                                                         | 239        | 281        |
| 3/4                           | 16               | 144                                                                                       | 173        | 192       | 223                                                                                       | 253        | 297        | 315                                                                                       | 357        | 420        | 369                                                                                         | 418        | 492        |
| 7/8                           | 14               | 138                                                                                       | 165        | 184       | 365                                                                                       | 403        | 474        | 502                                                                                       | 568        | 669        | 588                                                                                         | 666        | 784        |
| 1                             | 14               | 210                                                                                       | 252        | 280       | 542                                                                                       | 614        | 722        | 765                                                                                       | 867        | 1020       | 896                                                                                         | 1016       | 1195       |
| 1 1/8                         | 12               | 298                                                                                       | 357        | 397       | 668                                                                                       | 757        | 890        | 1083                                                                                      | 1227       | 1444       | 1269                                                                                        | 1439       | 1693       |
| 1 1/4                         | 12               | 415                                                                                       | 498        | 553       | 930                                                                                       | 1055       | 1241       | 1509                                                                                      | 1710       | 2012       | 1768                                                                                        | 2004       | 2358       |
| 1 1/2                         | 12               | 734                                                                                       | 880        | 978       | 1645                                                                                      | 1865       | 2194       | 2668                                                                                      | 3024       | 3557       | 3127                                                                                        | 3544       | 4169       |

Torque values for 1/4 and 5/16-in series are in inch-pounds. All other torque values are in foot-pounds. K = 0.15 for "lubricated" conditions; K = 0.17 for zinc plated and dry conditions; K = 0.20 for plain and dry conditions. D = Nominal Diameter; F = Clamp Load. Torque values calculated from formula T=KDF, where

| Torque-Tension Relationship for Metric Fasteners |       |                   |            |           |                   |            |           |                   |            |           |                   |           |  |
|--------------------------------------------------|-------|-------------------|------------|-----------|-------------------|------------|-----------|-------------------|------------|-----------|-------------------|-----------|--|
| Nominal Dia.<br>(mm)                             | Pitch | Class 4.6         |            |           | Class 8.8         |            |           | Class 10.9        |            |           | Class 12.9        |           |  |
|                                                  |       | Tightening Torque |            |           | Tightening Torque |            |           | Tightening Torque |            |           | Tightening Torque |           |  |
|                                                  |       | Lubed             | Dry Plated | Dry plain | Lubed             | Dry Plated | Dry plain | Lubed             | Dry Plated | Dry plain | Lubed             | Dry plain |  |
|                                                  |       | K = 0.15          | K = 0.17   | K = 0.20  | K = 0.15          | K = 0.17   | K = 0.20  | K = 0.15          | K = 0.17   | K = 0.20  | K = 0.15          | K = 0.20  |  |
| 3                                                | 0.5   | 0.28              | 0.32       | 0.38      | 0.73              | 0.82       | 0.97      | 1.0               | 1.2        | 1.4       | 1.2               | 1.8       |  |
| 3.5                                              | 0.6   | 0.44              | 0.50       | 0.59      | 1.1               | 1.3        | 1.5       | 1.6               | 1.9        | 2.2       | 1.9               | 2.5       |  |
| 4                                                | 0.7   | 0.66              | 0.74       | 0.87      | 1.7               | 1.9        | 2.3       | 2.4               | 2.7        | 3.2       | 2.8               | 3.8       |  |
| 5                                                | 0.8   | 1.3               | 1.5        | 1.8       | 3.4               | 3.9        | 4.5       | 4.9               | 5.5        | 6.5       | 5.7               | 7.6       |  |
| 6                                                | 1     | 2.3               | 2.6        | 3.0       | 5.8               | 6.6        | 7.7       | 8.3               | 9.4        | 11        | 9.7               | 13        |  |
| 6                                                | 1.25  | 2.1               | 2.3        | 2.7       | 5.3               | 6.0        | 7.0       | 7.6               | 8.6        | 10        | 8.8               | 12        |  |
| 7                                                | 1     | 3.8               | 4.3        | 5.0       | 9.7               | 11         | 13        | 14                | 16         | 19        | 16                | 22        |  |
| 8                                                | 1     | 5.9               | 6.6        | 7.8       | 15                | 17         | 20        | 22                | 24         | 29        | 25                | 34        |  |
| 8                                                | 1.25  | 5.5               | 6.2        | 7.3       | 14                | 16         | 19        | 20                | 23         | 27        | 24                | 31        |  |
| 10                                               | 1.25  | 11                | 13         | 15        | 29                | 33         | 39        | 42                | 48         | 56        | 49                | 66        |  |
| 10                                               | 1.5   | 11                | 12         | 14        | 28                | 32         | 37        | 40                | 45         | 53        | 47                | 62        |  |
| 12                                               | 1.25  | 21                | 23         | 28        | 53                | 60         | 71        | 76                | 86         | 101       | 89                | 119       |  |
| 12                                               | 1.5   | 20                | 22         | 26        | 51                | 58         | 68        | 73                | 82         | 97        | 85                | 113       |  |
| 12                                               | 1.75  | 19                | 21         | 25        | 49                | 55         | 65        | 70                | 79         | 93        | 81                | 108       |  |
| 14                                               | 1.25  | 26                | 29         | 34        | 66                | 75         | 89        | 95                | 108        | 127       | 111               | 148       |  |
| 14                                               | 1.5   | 28                | 32         | 37        | 72                | 82         | 96        | 103               | 117        | 138       | 121               | 161       |  |
| 14                                               | 2     | 30                | 34         | 40        | 78                | 88         | 104       | 111               | 126        | 148       | 130               | 173       |  |
| 16                                               | 1.5   | 50                | 57         | 67        | 129               | 146        | 171       | 184               | 208        | 245       | 215               | 287       |  |
| 16                                               | 2     | 47                | 53         | 62        | 121               | 137        | 161       | 173               | 196        | 230       | 202               | 269       |  |
| 18                                               | 1.5   | 73                | 82         | 97        | 187               | 212        | 249       | 268               | 303        | 357       | 313               | 417       |  |
| 18                                               | 2.5   | 65                | 73         | 86        | 167               | 189        | 222       | 239               | 270        | 318       | 279               | 372       |  |
| 20                                               | 1.5   | 101               | 115        | 135       | 270               | 306        | 360       | 374               | 424        | 498       | 437               | 583       |  |
| 20                                               | 2.5   | 91                | 104        | 122       | 238               | 267        | 314       | 337               | 382        | 449       | 394               | 525       |  |

Clamp load calculated as 75% of the proof load for specified bolts. K = 0.15 for "lubricated" conditions; K = 0.17 for zinc plated, dry conditions; K = 0.20 for plain and dry conditions. D = Nominal Diameter; F = Clamp Load. All torque values are listed in foot-pounds. Torque values calculated from formula T=KDF, where

©

T

# MAINTENANCE

## LUBRICATION RECOMMENDATIONS

MAINTENANCE

| Description                                                           | Application    | General Specification                                 | Recommended Mobil Lubricant             |
|-----------------------------------------------------------------------|----------------|-------------------------------------------------------|-----------------------------------------|
| Viædq  P^ â!æ  æ•Á                                                    | Ü^•^!ç[ ä      | RÖËEO<br>T ØÄ FFHÍ Ê FFI F<br>ØPT GÓFHI ÖÇP PGEFD     | T [ àq~ æÁ G                            |
| T [ , ^!P^ â!æ  æ•<br>Ö [  âÁ^ { } ^!æ  ^•Æ<br>ÜæðM                   | Ü^•^!ç[ ä      | ØUÁÍ ÁÇ æY ^æË , Á^ { }                               | T [ àqÖVÒFI T                           |
| P [   { æÁ^ { } ^!æ  ^•<br>F »ÁÜæðM                                   | Ü^•^!ç[ ä      | RÖËEO<br>T ØÄ FFHÍ Ê FFI F<br>ØP ÁT GÓFHI ÖÇP PGEFD   | T [ àq~ æÁ G Á                          |
| P [   { æÁ^ { } ^!æ  ^•Á<br>FÍ »ÁÜæðM                                 | Ü^•^!ç[ ä      | ØUÁÍ ÁÇ æY ^æ                                         | T [ àqÖVÒÁG                             |
| P ä @Á ] ^!æ * Á^ { } É<br>Öä [ ç^ÁÉ»Ø                                | Ü^•^!ç[ ä      | ØUÁÍ ÁÇ æY ^æ                                         | T [ àqÖVÒFI T                           |
| ØæÁÜ^æÖ^æà [ ç<br>Ü^•^!ç[ ä                                           | Ü^•^!ç[ ä      | ÜOEÁÜ^ } @æÁÖçd^ { ^<br>Ü!^••  ^ÁÖ^æS^ à^             | T [ àqÁUPÓÁÍ Y ÈÉ<br>T [ àqÁÜ^ } @æÁÖ^æ |
| Ö^ ç^!ÁÜ @æBÁÖ [ ~ } á<br>Ü [  ^!ÁÜ @æD Ö^ }                          | Ö!^æ^<br>Ö^ }  | Šæ { Ö [ { }  ^ç<br>Öçd^ { ^ÁÜ!^••  ^<br>P SÖ ÖU ÁGE  | T [ àq^!^æ^ÁÖT ÈÜ                       |
| Ö!æÁÜ @æÖ [ ~ }  ^!<br>Ö!æ áÁÜ [ ç^ D                                 | Ö!^æ^<br>Ö^ }  | Šæ { Ö [ { }  ^ç<br>Öçd^ { ^ÁÜ!^••  ^<br>P SÖ ÖU ÁGE  | T [ àq^!^æ^ÁÖT ÈÜ                       |
| Ö!æÁÜ @æÁ [ \^É<br>WÈ q çBÁÜç àÁÜ@ec                                  | Ö!^æ^<br>Ö^ }  | Šæ { Ö [ { }  ^ç<br>Öçd^ { ^ÁÜ!^••  ^<br>P SÖ ÖU ÁGE  | T [ àq^!^æ^ÁÖT ÈÜ                       |
| Ö [ { { ÁÜ, æ  <br>Ö [ { { Ö^   q á^!ÁÜ q<br>Ö [ ç^ ÁBÁÜ q [ { D      | Ö!^æ^Á<br>Ö^ } | Šæ { Ö [ { }  ^ç<br>Öçd^ { ^ÁÜ!^••  ^<br>P SÖ ÖU ÁGEÁ | T [ àq^!^æ^ÁÖT ÈÜ                       |
| Ö^ & ÁÖ [ { { ÁÜ q çB<br>Ö^ & ÁÜ q ] ÁÜ b^ ç ^ } c<br>Ü [ ç^ ÁBÁÜ q D | Ö!^æ^<br>Ö^ }  | Šæ { Ö [ { }  ^ç<br>Öçd^ { ^ÁÜ!^••  ^<br>P SÖ ÖU ÁGEÁ | T [ àq^!^æ^ÁÖT ÈÜ                       |
| Ö^ & ÁÜ ] q á^Ö [ ç^ D                                                | Ö!^æ^<br>Ö^ }  | Vá ^!ÁÜ ] q á^S^ à! ç c<br>] ç q { à^!ÁÜ     ç ç ç    | T [ àqÁUPÓÁGGE                          |

Ö [ { T æ ç } æ & ÁÜ^ ç } Á È







# MAINTENANCE

MAINTENANCE

## GREASING GROUND ROLLER SHAFT-- FLAIL

Š[ &æ^Á^i^æ^Á^i\•Á } Áæ& Á } áÁ -Á[ ||^i^Á^ à^Áæ  
 ||, ^i^Á } áÁ -Á@æ& [ i{ æ& } ááá } •Á^~ á^Á } ^Á^i  
 ç [ Á^~ { } •Á^æ&@Á^æ& \* ÉÁ •á \* Áæ& { É[ { } ]^ç  
 Öçd^ { ^Á^i^æ^Á^i } i{ á \* Á^ Á^SÖÖÉU  
 HGEÁ ] ^ááæ& } •ÉV@ÁáÁç Áá^Á[ ] ^Á, á@æ  
 •æ } áááÁ^i^æ^Á^i } Ááá Á^i^æ^Á^i } 8 hour intervals.  
**CAUTION:** Over greasing may cause premature seal failure



## ADJUSTING/CHECKING BELT TENSION

V[ Ááá •ç^i^ç^ } •á } Á^i^Á^ |æ& Á^i^ç^ } Ááá& ç^i  
 @æ&É^i [ ç^Á^~ i^Á[ |ç^ç^Á^& i^Á@Á^i^ç^ ç^i  
 æ } áÁ^~ [ ç^Á^ ç^iÉV@Á@ç^~ ç^Á@, } Á^i^, Áæ&  
 à^Ááá •ç^i^ç^ & i^æ^É^i^æ^Á^ç^@Á^i^ç^ } •á }  
 æ } ^á^á^É^i^ç^UVÖÁ^Š[ &æ& } Á^i^Ááá •ç^i^ç^ }  
 { æ^Á^ç^ } Ááá& ç^i^Á@æ& } **Be sure to replace the belt cover BEFORE operating mower!**



## TIGHTENING KNIFE BOLTS AND DISK BOLTS:

Öç^i^Á^ç^i^Á^ç^~i^ç^ } •Á^i^ç^ } Á^i^Ááá Éç^i^ç^ } á^  
 Ö[ |ç^ç^ } ááá^Á^i^ç^ |ç^Á^ç^~ i^Á^Á^ç^ } ^áá^Á^i^ç^ ||, •K  
 S) áÁ^i^ç^ } ç^i^ç^ } |ç^Á^i^ç^~ ^Á^i^ç^ Á^ç^i^ç^ } ááá^á^ç^i^ç^ } É  
 Öç^i^ç^ } ç^i^ç^ } |ç^Á^i^ç^~ ^Á^i^ç^ Á^ç^i^ç^ } Á^i^ç^i^ç^ }  
 |ç^i^ç^ } ááá^á^ç^i^ç^ } É



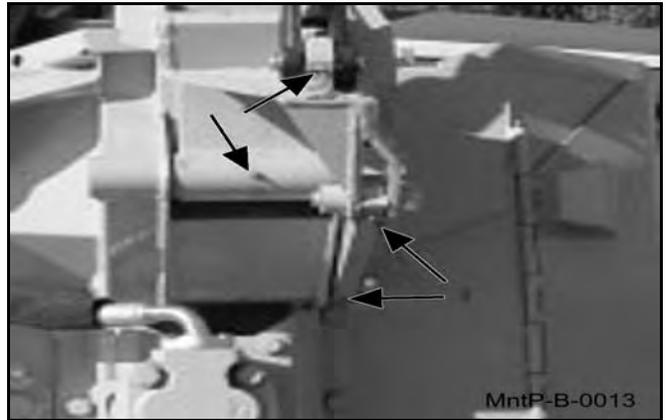
Ö[ { T æ ç } æ & Á^i^ç^ } Á^i^ç^

# MAINTENANCE

MAINTENANCE

## GREASING POINTS ON BOOM AND PIVOT

Š[ &æ^Á^!^æ^Á^!^•^Á^} Á^& Á^ Á^ [ ó^•^ à^ É] } Á^@  
á^& Á^} á^ Á^ & } á^ Á^ [[ { É^æ^Á^ æ^ É^& } á^æ^  
à^ [[ { Á^ á^ É^} á^ Á^, á^ Á^} á^ Á^ æ^ Á^ [[ { É^ É^&  
Š^æ^ { É^ [[ ] Á^ Á^ Ó^æ^ { Á^ Ú^•^•^!^ Á^!^æ^  
& } -!^ { á^ Á^ Á^ Š^Ó^É^Ú^Á^É^Á^ } & á^æ^ } •^ Á^ } á^  
•^!^æ^ Á^•^ á^ Á^ Á^!^ [ d^ á^ Á^ [[ { Á^} á^ É



## DECK STOP ADJUSTMENT

U) Á^ [[ { Á^ Á^ [[ [ •^ ] Á^ & á^ Á^ d^ Á^!^ } Á^ á^ b^ d^ ^ } c  
à^ [ ó^ Á^ É^} á^ Á^ } Á^ & Á^ } á^ á^ Á^ ~ ó^ Á^ Á^ Á^ c^ } •^ } É  
Ó^ á^ b^ •^ ó^ [ ó^ ó^ } á^ Á^ @^ á^ á^ •^ á^ ~ & @^ Á^ @^ Á^ [[ { É  
æ^ á^ Á^ @^ } Á^ [ & Á^ d^ É

**NOTE: Bolt should not hit boom before cylinder reaches full travel.**



## GREASING SPINDLE

Š[ &æ^ Á^!^æ^ Á^ á^ } Á^ } á^ Á^ Á^ & Á^ } •^ á^ É  
Ó^ b^ & ó^ v^ á^!^ Á^ Ú^ } á^ Á^ Á^ Š^ á^ á^ á^ d^ Á^ } { á^!  
É^!^!^ É^ É^ Á^ d^ Á^ } á^ á^ Á^ } •^ á^ É^ Ó^ Á^ á^ } á^ á^ á^ c  
~ } á^ Á^!^ á^ á^ á^ ó^, ^^ } •^ Á^ [ ó^ [ Á^ ] Á^ } á^ á^ Á^ •^ á^ É  
Š^ á^ á^ Á^ } á^ á^ Á^ ^^!^ Á^!^ Á^ c^!^ Á^ É^ }!^ Á^ Á^ •^ É



Ó^ [[ { T á^ c^ } á^ & Á^ & á^ } Á^ É!

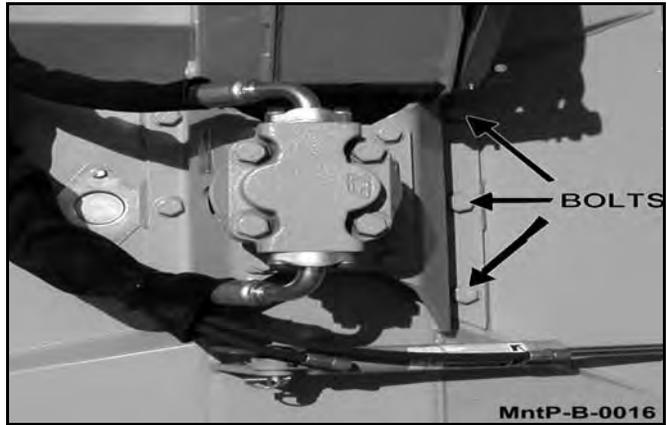


# MAINTENANCE

MAINTENANCE

## TIGHTENING SPINDLE BOLTS

Verify that the spindle bolts are tightened to the correct torque. The spindle bolts are located on the rear of the spindle housing. See Figure 1 for the location of the spindle bolts.



## GREASING PUMP DRIVE SHAFT COUPLER

Apply grease to the pump drive shaft coupler. The coupler is located on the rear of the pump housing. See Figure 2 for the location of the coupler. Apply grease to the coupler using a grease gun. The coupler is lubricated with grease.

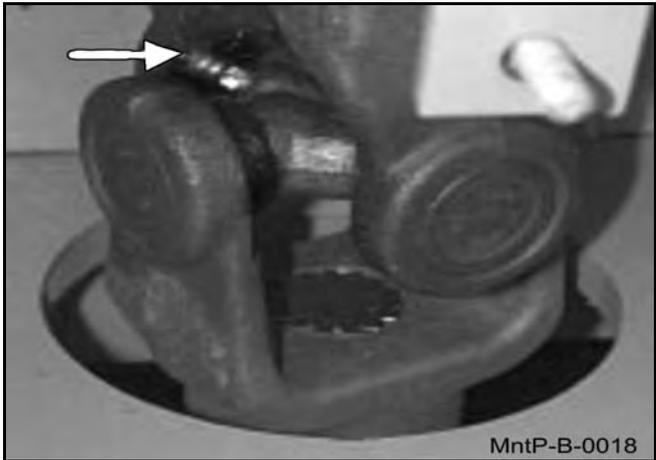


# MAINTENANCE

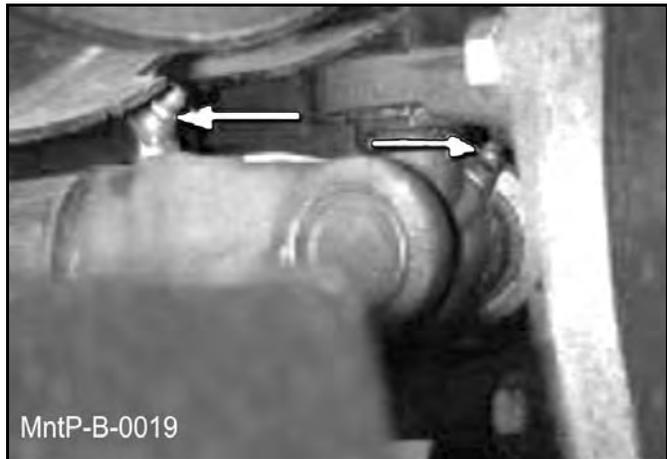
MAINTENANCE

## DRIVESHAFT YOKE, U-JOINT STUB SHAFT

Y @A ^)\* q ^A .d]] ^aEa q b&A Sa@a { Eo[ { ]|^c  
 ^cd^ ^A|^..~|^A|^ae^A&[ }-|{ q \*Aq ApSO@E@U  
 HGEA]^8aa@a} .A q A} q^i .aA q o A} aA|q A[\ ^  
 ~} qA|^ae^A&[ ]^ae .Aa@a^A^aEo|^ae^A@a{ Aa&^  
 [|Aq^i^A Aq^i .E



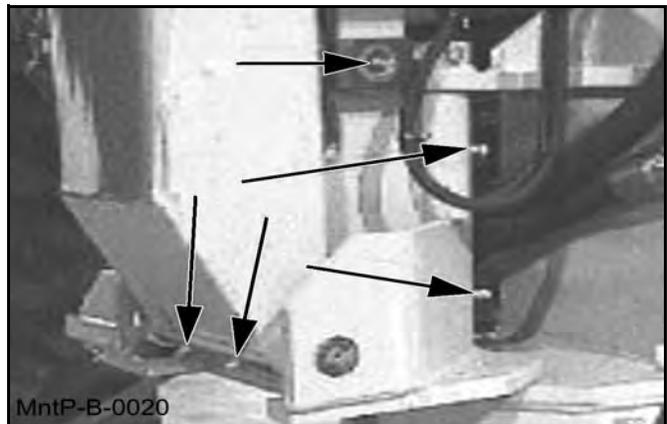
MntP-B-0018



MntP-B-0019

## GREASING THE BOOM SWIVEL

S[ &ae^A@a^A: ^|\ .A[ } A@a{ aA . q^|Aa[ . .Aq  
 aq] |a@a|^D^A aA A[ [ { A} q[ aA[ . .AqAa ] |a@a|^D  
 aq aA[ ] Aa[ @A^} a .A[ -A@^Aa[ [ { A . q^|A&^ | q a^iE  
 Qb&ASa@a { Eo[ { ]|^cA@c^d^ ^A^i|^..~|^A|^ae^A  
 &[ }-|{ q \*Aq ApSO@E@U^A^HGEA .]^8aa@a} A^} q  
 \*|^ae^A^a^\* q .Aq A[ | d^ a^A[ [ { A} a .E



MntP-B-0020

O[ {

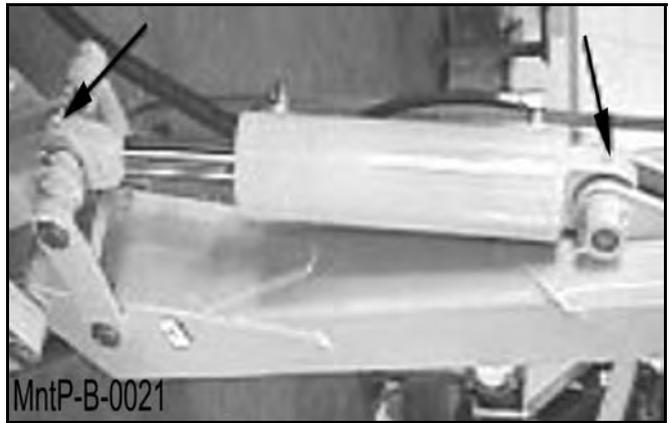
T aq c} aq &^A^&q } A E^i

# MAINTENANCE

MAINTENANCE

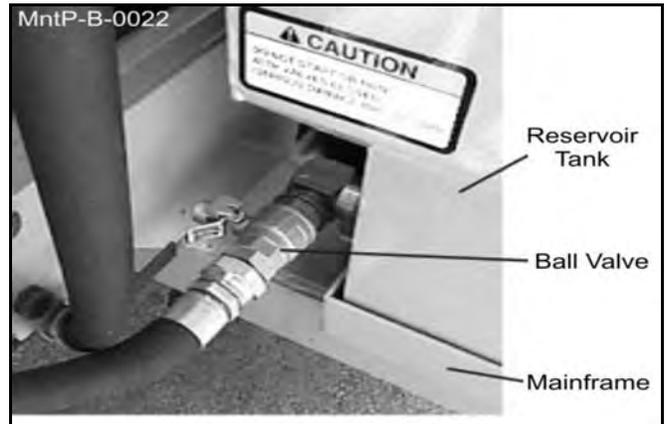
## GREASING BOOM CYLINDER(S) PIVOT POINTS

Š[ &æ^Á@Á^!\Á} Á@Á^ wÁ) áÁæ \* Á -Á& |á á^!Áæ á  
[] Á[ áÁ} áÁæ \* ÉQb&ÁŠæ { ÉO[ { ]|^ÁOæd^ ^  
Ú!^••!^Á^!^æ^Á& } f!| á \* Ád ÁpSÖÖÉUÁHGE  
•]^&ááææ) •Á} dÁ^!^æ^Á^\* á •Áf Á!| d^ á^Á!{  
^} á •ÉÁV@ Á!| &^á^!^Á^Á Á^Á^ •^áÁ} Á@Á! æ  
à[[ { Á& |á á^!ÉÁ •^& } áæ^ Áà[[ { Á& |á á^!ÉÁ^&  
] æ[ dÉæ áÁ •, æ^!Á& |á á^! •Ááæ Á! ÁæÁ Á@^!  
á c!çæ É



## BALL VALVES

V@ Áæ|Áçæ^ ÁæÁ@ Á@ á!æ |æÁ^•^!ç| áÁ æÁ^ á  
d Á^Á&| •^áÁ^ |á \* Á&|æ Á æ c) æ &Á! Á^] æ  
]!| &^á^! •É **THE BALL VALVES MUST BE OPEN**  
**(handle parallel with valve) WHEN TRACTOR IS**  
**RE-STARTED OR PUMP IS COUPLED TO**  
**MOTOR OR PTO!** Á@æ^!^Ád Áá[ Á [ Á] Á!^• |ç  
&[ { ][]^] Áæ^!^Á



Ó[[ {

T æ c) æ &Á^&á } Á Èí













# MAINTENANCE

## Flail Axe Blade Bolt Inspection

Q•] ^&ó|æ^ÁÓ| |ó|ææ Á| Á| ^æÁ|Áææ æ^Áæ Á| ||, •K

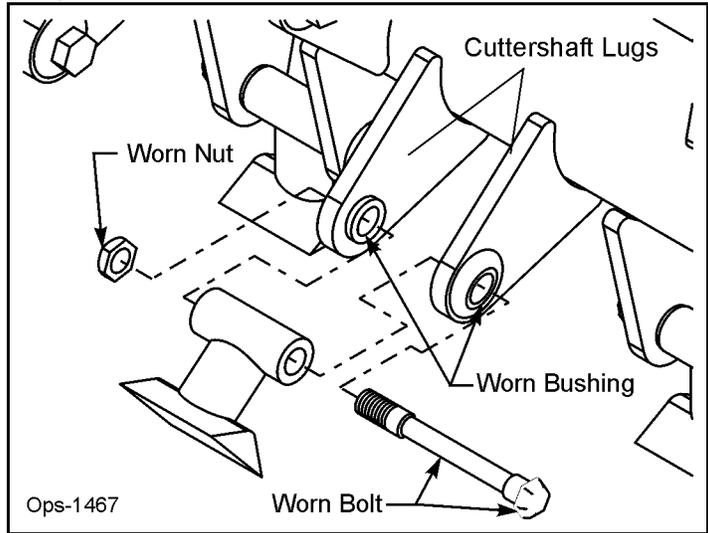


Q•] ^&ó|æ^ÁÓ| |ó|ææ Á| Á|ææ} [ |{ æÁ ^æÉÚÓÚŚÓÓÒÁĚŚÁÓŚ ÓÒÒÁÓÚ ŚVÚÁ| } Áó@ &æ!á|ÁQ T ÓÓÓE/ÓŚYÁÁæ ^ Á| |ó|Áæ^K

- ~ Xā ā|Á&æ.Á!
- ~ Qó@Á|æ^Á| |ó|Á [ |] Á|Áæ ^ Á&••áÁæ^ææ Á|ā ā|Á| } Áó@Á| |Ď!
- ~ QÓ|æ^ÁÓ| |ó|Á [ ^•^Á|Á&Q ] ^áÁæ^æ Ď!
- ~ QÓ• @ \* Áā Á| [ •^Á ÁóÁÚ| Ď! ÁÚæĎ

QæĎ |^ÁĎ Á^| |æ^Áææ} [ |{ æ^ Á [ |] Áá| |ó|Á|Áá^ • @ \* Á| æ Á^æáĎ Á&ææ d [ ] @ÁæĎ |^Á| Áó@Á|æ^ÁæĎ á  
^á&Ď } Áó@Á| [ \^ ] ÁæĎĎ @&@æ æ Áæ•^Á^|ā ~ Á| áā Ď b| ^ Á|ÁææĎ

QĎ æ^Á^| |æ^ÁÓ|æ^ÁÓ| |ó|Á ā@Ď ^, Á| |ó|ÁæĎ áĎ ^, Á| • @ \* Á| @ ^Ď^!Á^| |æĎ \* Áó@Á|æ^ÁæĎ ĎM Áā @^ Á| |ó|  
æĎ áĎ ~ @Ďá•áĎ ] | Áó@æĎÁ| & ÁĎ Á| ĎĎ æ^Á^!^ÁĎ Áā @^ Á| |ó|ÁæĎ áĎ ~ @Ď•áĎ ] ^ \* @Ď Áæ[ , Áó@Á|æ^ÁæĎ ÁĎ  
•, ā \* Á^!| ÁæĎ áĎ [ óÁ^ ] áÁó&Ď Ď! • @æĎ \* ĎQ&Ď Ď! • @æĎ \* Áæ^Á^| ) QĎ ^\*c@|Áá&æ•^Á| ÁĎ^!Áā @^ ā \*  
ó@Á|æ^ÁæĎ Á| ā|Á| áĎ, ā \* Á^!| ĎĎ OPS-U-0043



MAINTENANCE

Ó|{

T āĎ Ď } æ &^Á^&Ď } Á ĎĎ



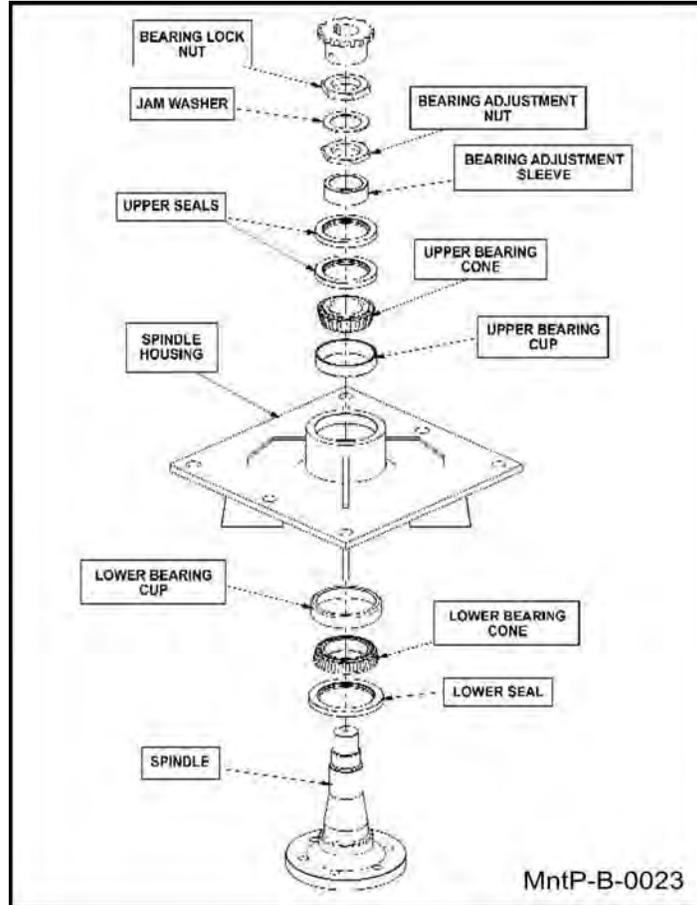


# MAINTENANCE

## THE SPINDLE ASSEMBLY

Ú^Á@Áæ!æÁ^[[, Á!Á^ cææ}Á-Á]áá^ÁæóÉ @Á^!çæ\*É

MAINTENANCE



Ó[[{

Tæç}æ&Á^&ç}ÁÉ

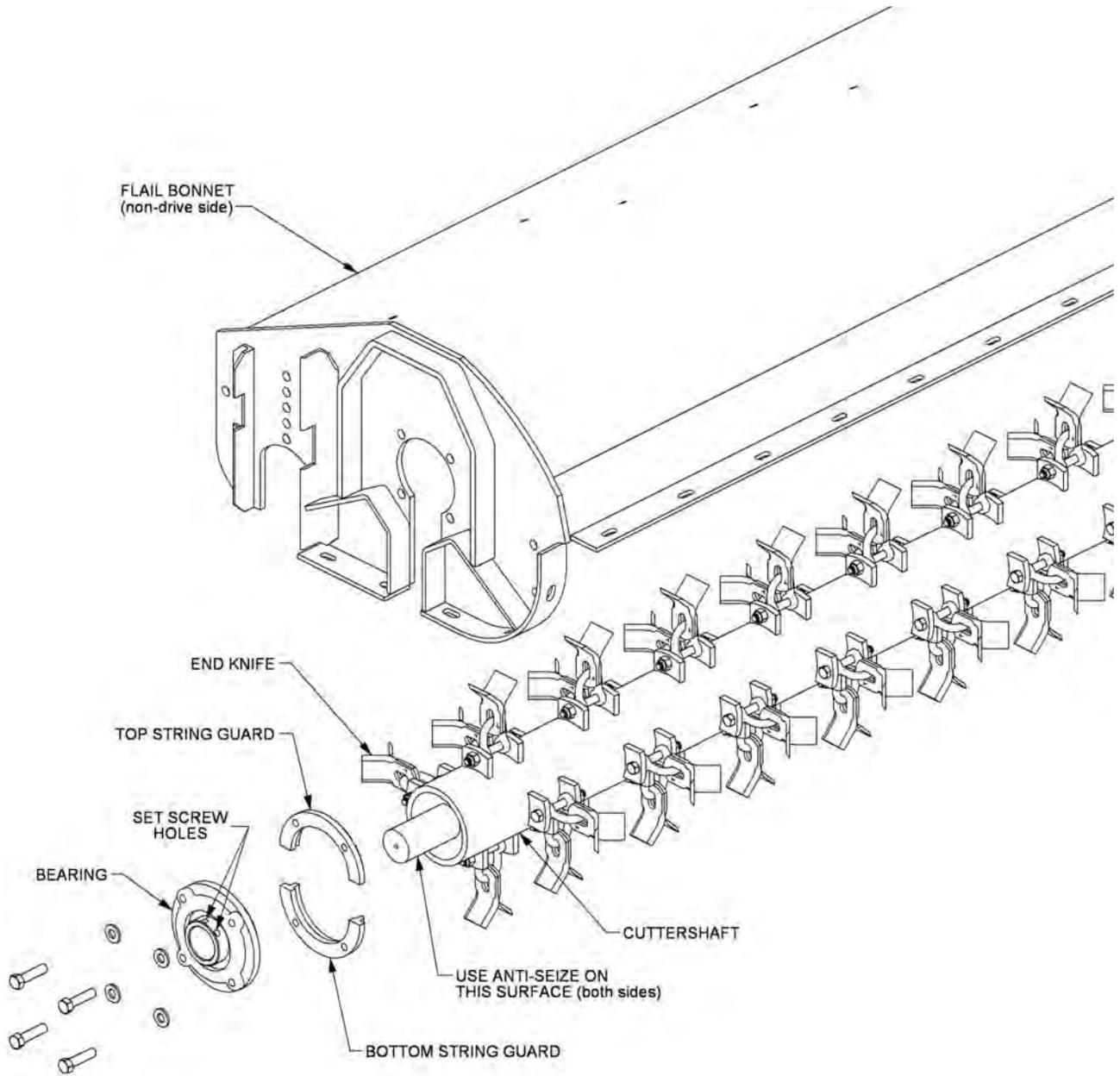






# MAINTENANCE

MAINTENANCE







# MAINTENANCE

## MAINTENANCE

0111

Tax & Accounting

**PARTS SECTION**

# PART NAME INDEX

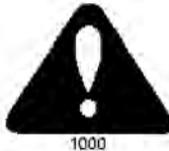
|                                                    |    |
|----------------------------------------------------|----|
| RCTVUQTFGT&I 'I W&G                                | 5  |
| VTCEVQT'O QWP V'MK                                 | 6  |
| DWORGT'VCP'M'O QWP V'Y K/J 'J [ F TCWN&E           | 8  |
| ECDNG'*O CP WCN+'N&H'XCNXG'7'URQQN                 | :  |
| 7'URQQN'ECDNG'EQP VTQN'O QWP V                     | 32 |
| PQVGU'3                                            | 33 |
| ECDNG'*O CP WCN+'N&H'XCNXG'DTGCMF QY P '/'2872425: | 34 |
| DQQOTGUV'/'5'RV                                    | 36 |
| PQVGU                                              | 37 |
| 82'&'TQVCT[ 'TQVCV&I 'O QY GT'CUUGO DN[            | 38 |
| 82'&'TQVCT[ 'O QY GT'VTGG'CUUGO DN[                | 3: |
| RWOR'FT&GUJ CHV                                    | 42 |
| RQN[ ECTDQP CVG'UCHGV[ 'Y &F QY                    | 43 |
| RCPQTCO &'RQN[ ECTDQP CVG'Y &F QY                  | 44 |
| Y J GGN'Y GK J V                                   | 45 |
| PQVGU'4                                            | 46 |

## PARTS ORDERING GUIDE

The following instructions are offered to help eliminate needless delay and error in processing purchase orders for the equipment in this manual.

1. The Parts Section is prepared in logical sequence and grouping of parts that belong to the basic machine featured in this manual. Part Numbers and Descriptions are given to help locate the parts and quantities required.
2. The Purchase Order must indicate the **Name and Address** of the person or organization ordering the parts, **who should be charged**, and if possible, the **serial number of the machine** for which the parts are being ordered.
3. The purchase order must clearly list the **quantity of each part**, the complete and correct **part number**, and the basic **name of the part**.
4. The manufacturer reserves the right to substitute parts where applicable.
5. Some parts may be unlisted items which are special production items not normally stocked and are subject to special handling. Request a quotation for such parts before sending a purchase order.
6. The manufacturer reserves the right to change prices without prior notice.

NOTE: When ordering replacement decals, refer to the part numbers and descriptions listed in the safety section in the front of this manual.

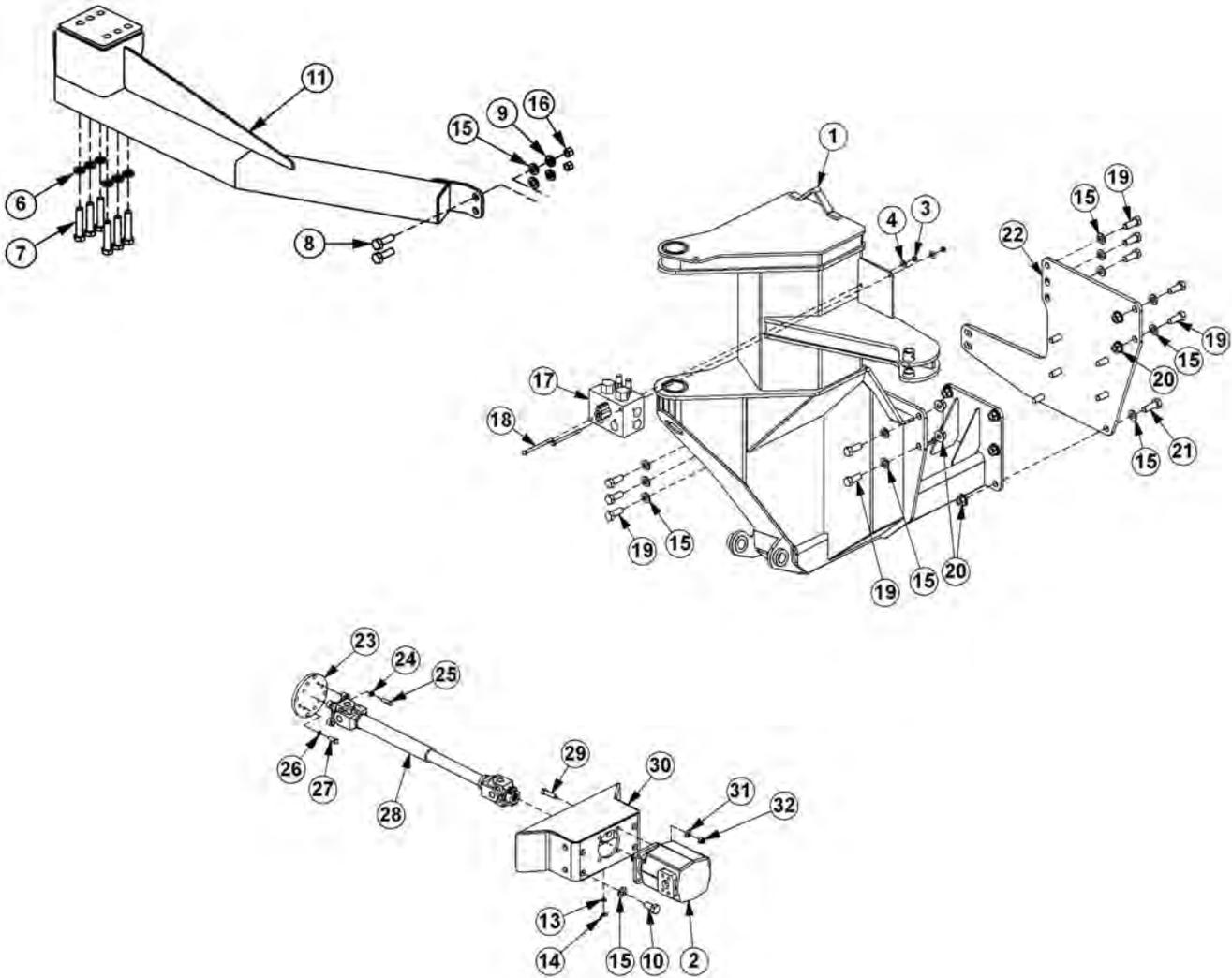


For maximum safety and to guarantee optimum product reliability, always use genuine **Tiger** replacement parts. The use of inferior replacement parts may cause premature or catastrophic failure which could result in serious injury or death.

Direct any questions regarding parts to:

**Tiger Corporation**  
3301 N. Louise Ave.  
Sioux Falls, SD 57107  
1-800-843-6849  
1-605-336-7900

# TRACTOR MOUNT KIT



| ITEM | PART NO. | QTY. | DESCRIPTION         |
|------|----------|------|---------------------|
| 3    | 2852246; | 3    | OCRHTCOG            |
| 4    | 45374    | 3    | RWOR                |
| 5    | 43849    | 34   | P[ NQEMP W.'5L \$PE |
| 6    | 44238    | 34   | HNCVY CUJ GT.'5L \$ |

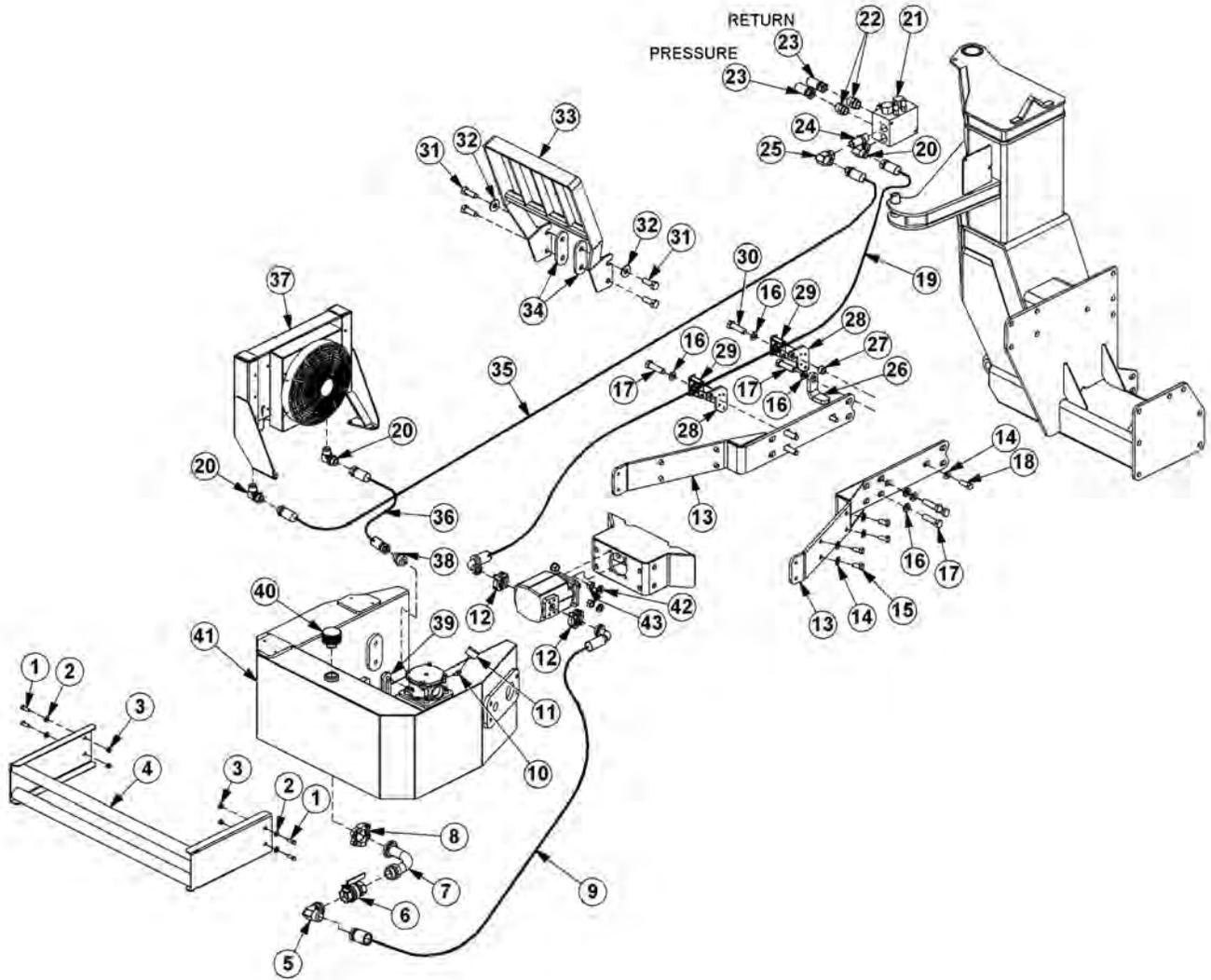
JD6140M BENGAL W/ BUMPER TANK

## TRACTOR MOUNT KIT

Continued...

| ITEM | PART NO.  | QTY. | DESCRIPTION                    |
|------|-----------|------|--------------------------------|
| 7    | 4385;     | 4    | ECRUETGY .51 \$Z 5/316\$PE     |
| 8    | 46: ; 3   | 8    | NQEMY CUJ GT. 420 O            |
| 9    | 494: 3    | 8    | ECRUETGY .420 O "Z" 820 O .40R |
| :    | 43: 55    | 4    | ECRUETGY .516\$Z 4/316\$PZ     |
| ;    | 43: ; 5   | 4    | NQEMY CUJ GT 516\$T T:         |
| 32   | 46: 82    | 6    | ECRUETGY .420 O "Z" 620 O .40R |
| 33   | 28522476  | 3    | CZNGDTCEG.TJ                   |
| 35   | 44236     | 3    | HNCVY CUJ GT. 316\$            |
| 36   | 5473;     | 3    | Y R I P WW. 316\$              |
| 37   | 55: ; 2   | 4:   | HNCVY CUJ GT. 516\$PE          |
| 38   | 43: 47    | 32   | J GZ P WW. 516\$PE             |
| 39   | 287322: 5 | 3    | DTCMGXCXNG                     |
| 3:   | 43866     | 4    | ECRUETGY .51 \$Z 7\$PE         |
| 3;   | 53953     | 32   | ECRUETGY .420 O "Z" 720 O .40R |
| 42   | 53944     | 32   | J GZ P WW. 420 O .HNP I .40R   |
| 43   | 494: 3    | 8    | ECRUETGY .420 O "Z" 820 O .40R |
| 44   | 28624462  | 3    | WRTH J V. NJ                   |
| 45   | 56; ; :   | 3    | URCEGT. FT&KGU CHV             |
| 46   | 43; ; :   | 6    | NQEMY CUJ GT. 9138\$           |
| 47   | 438: 2    | 6    | ECRUETGY .9138\$Z 3/316\$PE    |
| 48   | 548: 3    | 6    | NQEMY CUJ GT. 320 O            |
| 49   | 45335     | 6    | ECRUETGY .320 O "Z" 520 O .30R |
| 4:   | 56; ; :   | 3    | FT&KGU CHV. W L Q R P V        |
| 4:   | 43955     | 6    | ECRUETGY .314\$Z 4\$PE         |
| 52   | 56; ; 5   | 3    | RWO R' O QWP V                 |
| 53   | 28755226  | 6    | HNCVY CUJ GGT. 314\$PE         |
| 54   | 43949     | 6    | P [ NQEMP WW. 314\$PE          |

## BUMPER TANK MOUNT WITH HYDRAULICS



| ITEM | PART NO.  | QTY. | DESCRIPTION                         |
|------|-----------|------|-------------------------------------|
| 3    | 438: 2    | 6    | ECRUETGY .9B8\$'5 16\$'PE           |
| 4    | 44239     | 6    | HNCVY CUI GT.9B8\$                  |
| 5    | 43899     | 6    | P[ NQEMP WV.9B8\$. 'PE              |
| 6    | 285: 2293 | 3    | I WCTF .TGUDWORG                    |
| 7    | 56877     | 3    | GNDQY .3'3 4\$'QTD'Z'3'3 4\$'OL     |
| 8    | 5652;     | 3    | DCNN'XCNXG'3'3 4\$'HQ               |
| 9    | 565: ;    | 3    | GNDQY '3'3 4\$'QTD'Z'%'64HNI ' ; 2a |
| :    | VH6653    | 3    | MKV.HNCPI G. %64                    |
| ;    | 28722997  | 3    | J QUG'4\$'Z'4; \$                   |
| 32   | VH66: 9   | 3    | UVTGGV'GNDQY .31: \$'Z' %67a        |



## BUMPER TANK MOUNT WITH HYDRAULICS

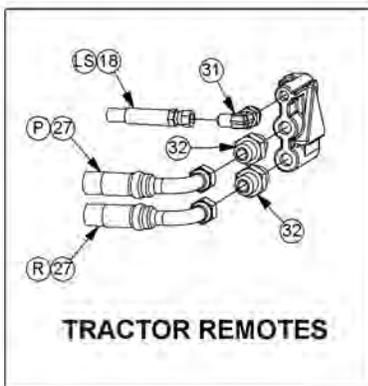
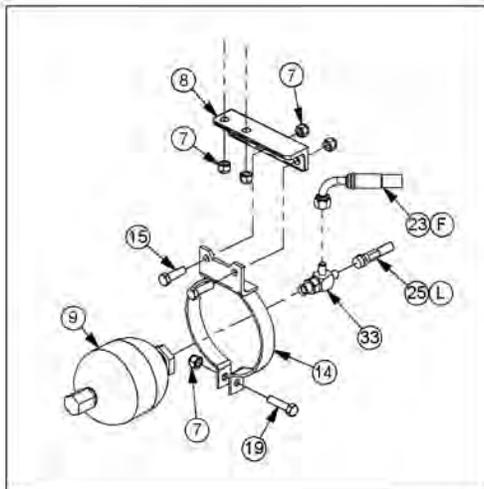
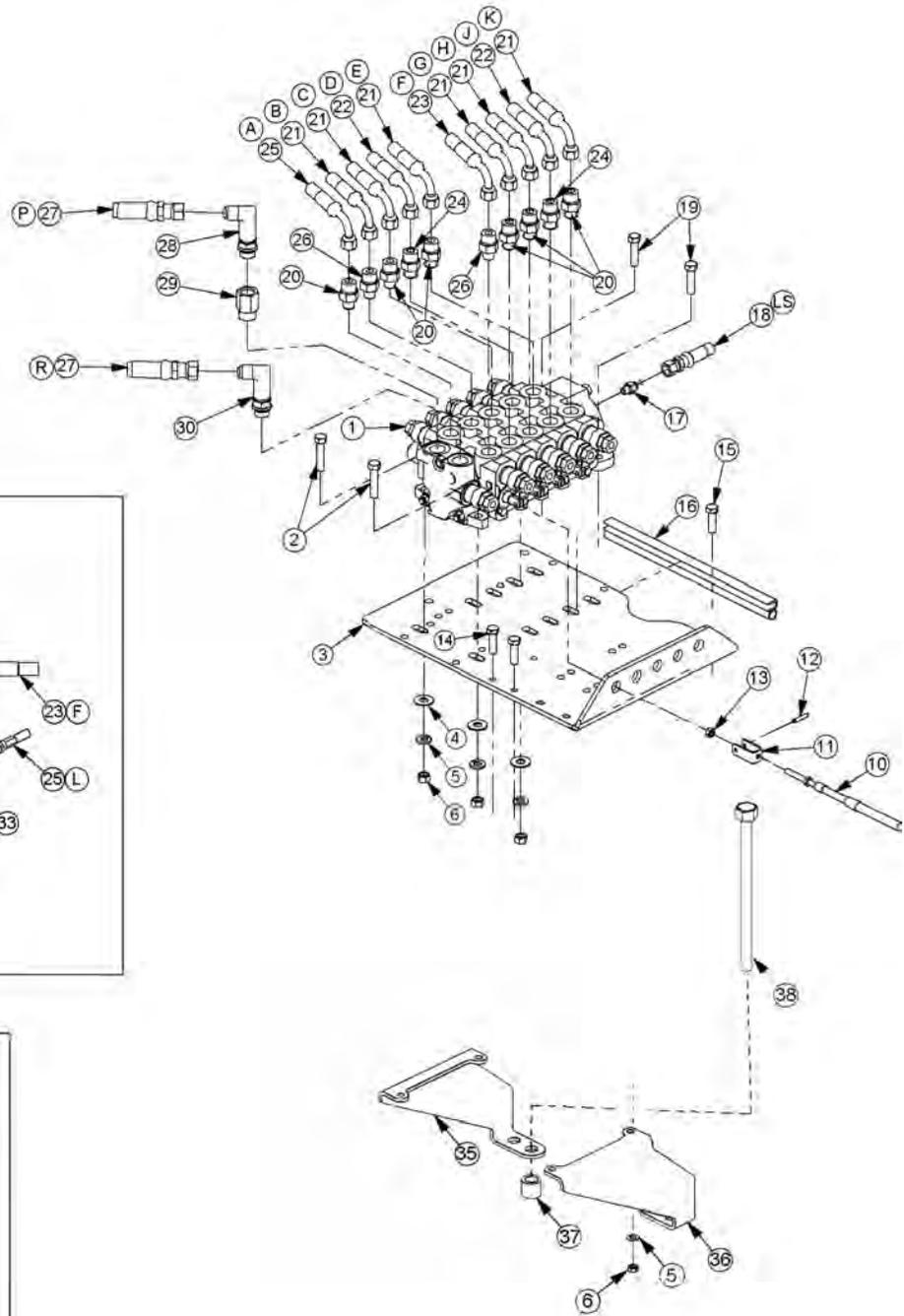
Continued...

| ITEM | PART NO.  | QTY. | DESCRIPTION                   |
|------|-----------|------|-------------------------------|
| 33   | 8V286;    | 3    | HNKVTI CW G                   |
| 34   | VH6: 74   | 4    | MKV.HNCPI G.42                |
| 35   | 285: 2292 | 4    | OP V.TGUDWORG                 |
| 36   | 55986     | 32   | HNCVY CUJ GT.71\$             |
| 37   | 439: 2    | :    | ECRUETGY .71 \$Z'3'316\$.PE   |
| 38   | 55: : 2   | :    | HNCVY CUJ GT.516\$            |
| 39   | 4: 5; ;   | 9    | ECRUETGY .42O O'Z': 2O O.40R  |
| 3:   | 44645     | 4    | ECRUETGY .38O O'Z'72O O.40R   |
| 3:   | 28722995  | 3    | J QUG.'3\$Z'; 2\$             |
| 42   | 56339     | 5    | GNDQY .3\$O'D'Z'3\$O L        |
| 43   | 287322: 5 | 3    | DTCMG'XCXNG                   |
| 44   | 55777     | 4    | CF CRVGT.3\$O'D'Z'3\$O L      |
| 45   | 56867     | 4    | J QUG.3\$Z'3: 4\$             |
| 46   | 54: 8;    | 3    | P RRNG.NQPI .3\$O QT'Z'3\$O L |
| 47   | 5547;     | 3    | GNDQY .3\$O'L'Z'3\$HLZ'; 2ā   |
| 48   | 28633878  | 3    | QUUUVQR                       |
| 49   | 46: 6;    | 3    | URCEGT'3'316\$'Z''71\$        |
| 4:   | 56848     | 4    | VWDGENCOR'O P V'DTCEMGV       |
| 4:   | 28727239  | 4    | ENCOR'MK'3\$                  |
| 52   | 5292:     | 3    | ECRUETGY .42O O'Z': 2O O.40R  |
| 53   | 43: 55    | 6    | ECRUETGY .516\$Z'4'316\$.PE   |
| 54   | 44243     | 4    | HNCVY CUJ GT.516\$            |
| 55   | 54959     | 3    | I TKNNI WCTF                  |
| 56   | 28622387  | 4    | URCEGT'RNCVG                  |
| 57   | 28722996  | 3    | J QUG.3\$Z'332\$              |
| 58   | 28722994  | 3    | J QUG.'3\$Z'55\$              |
| 59   | 28922388  | 3    | EQQNGT'HCP                    |
| 5:   | 56286     | 3    | CF CRVGT.3'316\$O QT'Z'3\$O L |
| 5:   | 28727289  | 3    | UK J V'I CWI G                |
| 62   | 28727299  | 3    | DTGCVI GT'ECR                 |
| 63   | 56888     | 3    | DWORG'T'VCP.MTGU              |
| 64   | 43: 55    | 6    | NQEMY CUJ GT.516\$            |
| 65   | 43: 47    | 6    | J GZ'P WW.516\$.PE            |

# CABLE (MANUAL) LIFT VALVE 5 SPOOL

## HOSE ROUTING

- A - TO MAIN BOOM CYLINDER BUTT
- B - TO SECONDARY CYLINDER BUTT
- C - TO DECK ROLL CYLINDER BUTT
- D - TO SWIVEL CYLINDER GLAND
- E - TO SHIELD CYLINDER BUTT
- F - TO ACCUMULATOR
- G - TO SECONDARY CYLINDER GLAND
- H - TO DECK ROLL CYLINDER GLAND
- J - TO SWIVEL CYLINDER BUTT
- K - TO SHIELD CYLINDER GLAND
- L - TO MAIN BOOM CYLINDER GLAND
- P - PRESSURE
- R - RETURN
- LS - LOAD SENSE



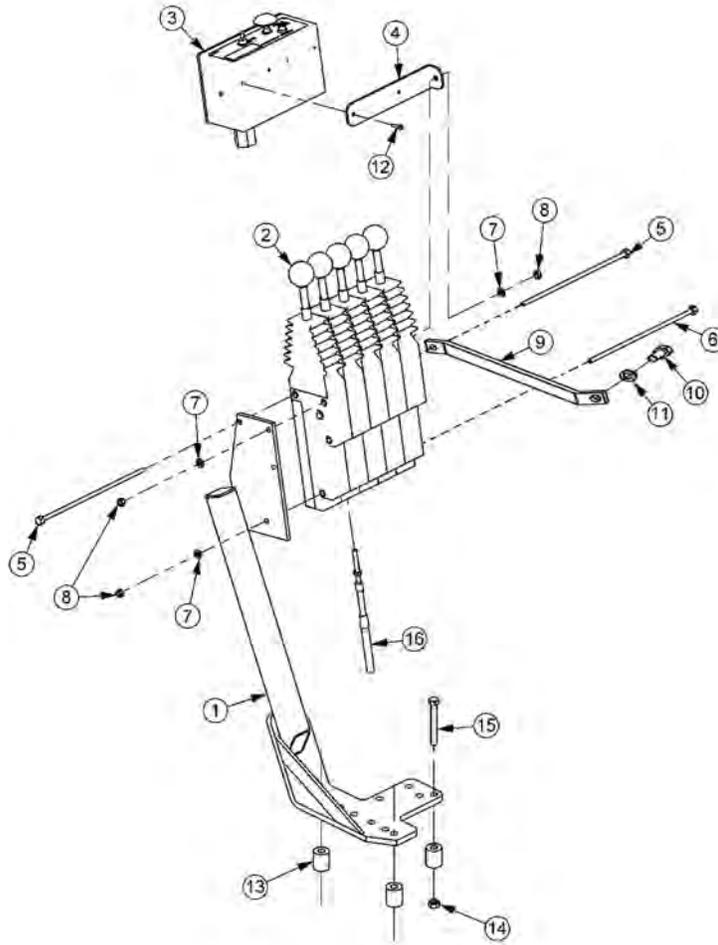
| ITEM | PART NO. | QTY. | DESCRIPTION                  |
|------|----------|------|------------------------------|
| 3    | 2872425: | 3    | XCNXG.ECDNG.7'URQQN          |
| 4    | 43855    | 4    | ECRUETGY .51 \$'Z'3/516\$.PE |
| 5    | 56844    | 3    | RNCVG.XCNXG.TGCT"O P V       |

## CABLE (MANUAL) LIFT VALVE 5 SPOOL

Continued...

| ITEM | PART NO.  | QTY. | DESCRIPTION                         |
|------|-----------|------|-------------------------------------|
| 6    | 44238     | 6    | HNCVY CUJ GT.51 \$                  |
| 7    | 43; : :   | :    | NQEMY CUJ GT.51 \$                  |
| 8    | 43847     | :    | J GZ'P WW.51 \$.PE                  |
| 9    | 43849     | 7    | P [ NQEMP WW.51 \$.PE               |
| :    | 28682294  | 3    | DTMV                                |
| ;    | 46522     | 3    | CEEWO WNCVQT                        |
| 32   | 28727322  | 7    | EDNEP VTN.32: \$                    |
| 33   | 8V6633    | 7    | ENGXÆUEDNEVTN.5 B8\$                |
| 34   | 8V5239    | 7    | TQNNRP .5 B8\$Z'3\$                 |
| 35   | 43722     | 7    | J GZ'P WW.3 16\$.PH                 |
| 36   | 45: : :   | 3    | DTMV.CEEWO WNCVQT                   |
| 37   | 43853     | :    | ECRUETGY .51 \$Z'3/3 16\$.PE        |
| 38   | 4: 275    | 3    | VTO 'NM; B8Z 31 HP 'RDN, 322/31     |
| 39   | 54; 23    | 3    | CF CRVGT.51 \$O QT'Z'51 \$OL        |
| 3:   | 28722572  | 3    | J QUG.3 16\$Z'48\$                  |
| 3;   | 43854     | 5    | ECRUETGY .51 \$Z'3/3 14\$.PE        |
| 42   | 55493     | 8    | CF CRVGT.3 14\$O QT'Z'51 \$OL       |
| 43   | 287228: 9 | 8    | J QUG.3 16\$Z'48: \$                |
| 44   | 287228; 9 | 4    | J QUG.3 16\$Z'432\$                 |
| 45   | 55966     | 3    | J QUG.3 16\$Z'56\$                  |
| 46   | 565; 8    | 4    | CF CRVGT.TUVTEV.028\$QWW            |
| 47   | 287228: : | 4    | J QUG.3 16\$Z'4: : \$               |
| 48   | 28724258  | 4    | XNX.EJ GEMY 128\$QTH3 14\$O QT      |
| 49   | 56834     | 4    | J QUG.3 14\$Z'56\$                  |
| 4:   | 554; 5    | 3    | GNDQY .NQPI                         |
| 4;   | 5489:     | 3    | CF CRVGT.71 \$O QT'Z'3 14\$HQT      |
| 52   | 555: 5    | 3    | GNDQY .NQPI                         |
| 53   | 28725235  | 3    | GNDQY .36O O 'O QT'Z'7 B8\$OL       |
| 54   | 55685     | 4    | CF CRVGT.44O O 'O QT'Z'3 14\$OL     |
| 55   | 2872524;  | 3    | VGG.TWP                             |
| 57   | 28632652  | 3    | O QWP V.'XCNXG.'NGHV                |
| 58   | 2863264;  | 3    | O QWP V.'XCNXG.'TH J V              |
| 59   | 5673;     | 3    | URCEGT.'3/3 16\$Z'35 B8\$Z'3/31: \$ |
| 5:   | 28752736  | 3    | ECRUETGY .':3: O O 'Z'4; 2O O .'40R |

## 5 SPOOL CABLE CONTROL MOUNT

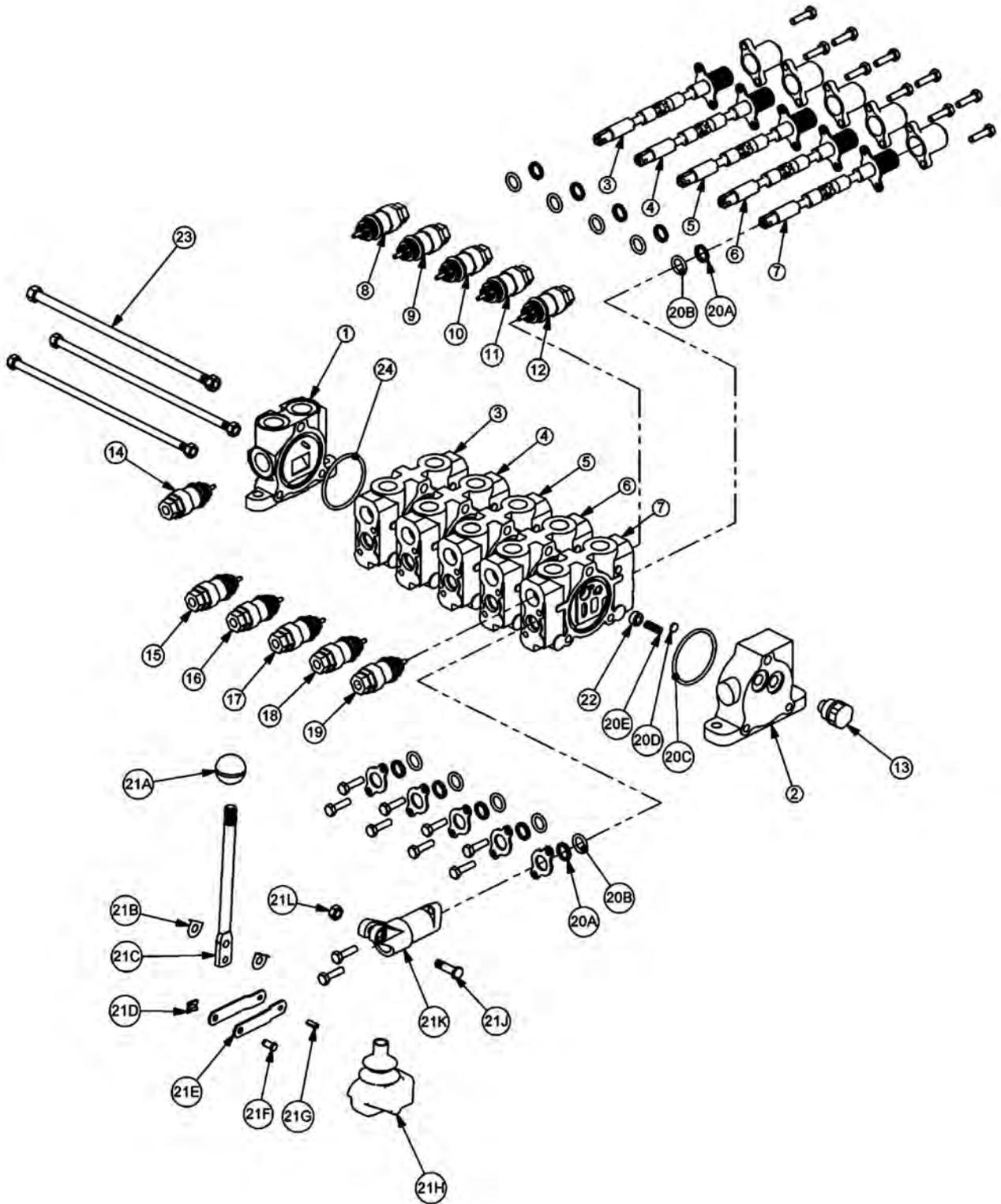


| ITEM | PART NO. | QTY. | DESCRIPTION                       |
|------|----------|------|-----------------------------------|
| 3    | 45: 87D  | 3    | EDNEVTN'O V'DTMV                  |
| 4    | 8V3473   | 7    | EDNEVTN'DQZ.3: 2'FGI              |
| 5    | 28732322 | 3    | UY KÆJ DQZ.DQOQ                   |
| 6    | 566; 8   | 3    | DTMV.UY KÆJ DQZ.WP K              |
| 7    | 56554    | 4    | ECRUETGY .316\$Z"; /316\$.PE      |
| 8    | 4376:    | 3    | ECRUETGY .316\$Z"; \$.PE          |
| 9    | 43; : 8  | 5    | NQEMY CUI GT.316\$                |
| :    | 43747    | 5    | J GZ'PW.316\$.PE                  |
| ;    | 52972C   | 3    | UWRRQTV.O P V.EP VTN'DQZ          |
| 32   | 55756    | 3    | ECRUETGY .320 O 'Z'420 O .3ØR     |
| 33   | 548; 3   | 3    | NQEMY CUI GT.320 O                |
| 34   | 8V5; 73  | 4    | UETGY .OCEJ R'G': 154\$Z'314\$.PE |
| 35   | 492: 4D  | 5    | URCEGT                            |
| 36   | 43849    | 5    | P[ NQEMPWW.51 \$.PE               |
| 37   | 43858    | 5    | ECRUETGY .51 \$Z'4/314\$.PE       |
| 38   | 28727322 | 7    | EDNEPVTN.32:                      |

JD6140M BENGAL W/ BUMPER TANK

# NOTES

CABLE (MANUAL) LIFT VALVE BREAKDOWN - 06502038



JD6140M BENGAL W/ BUMPER TANK

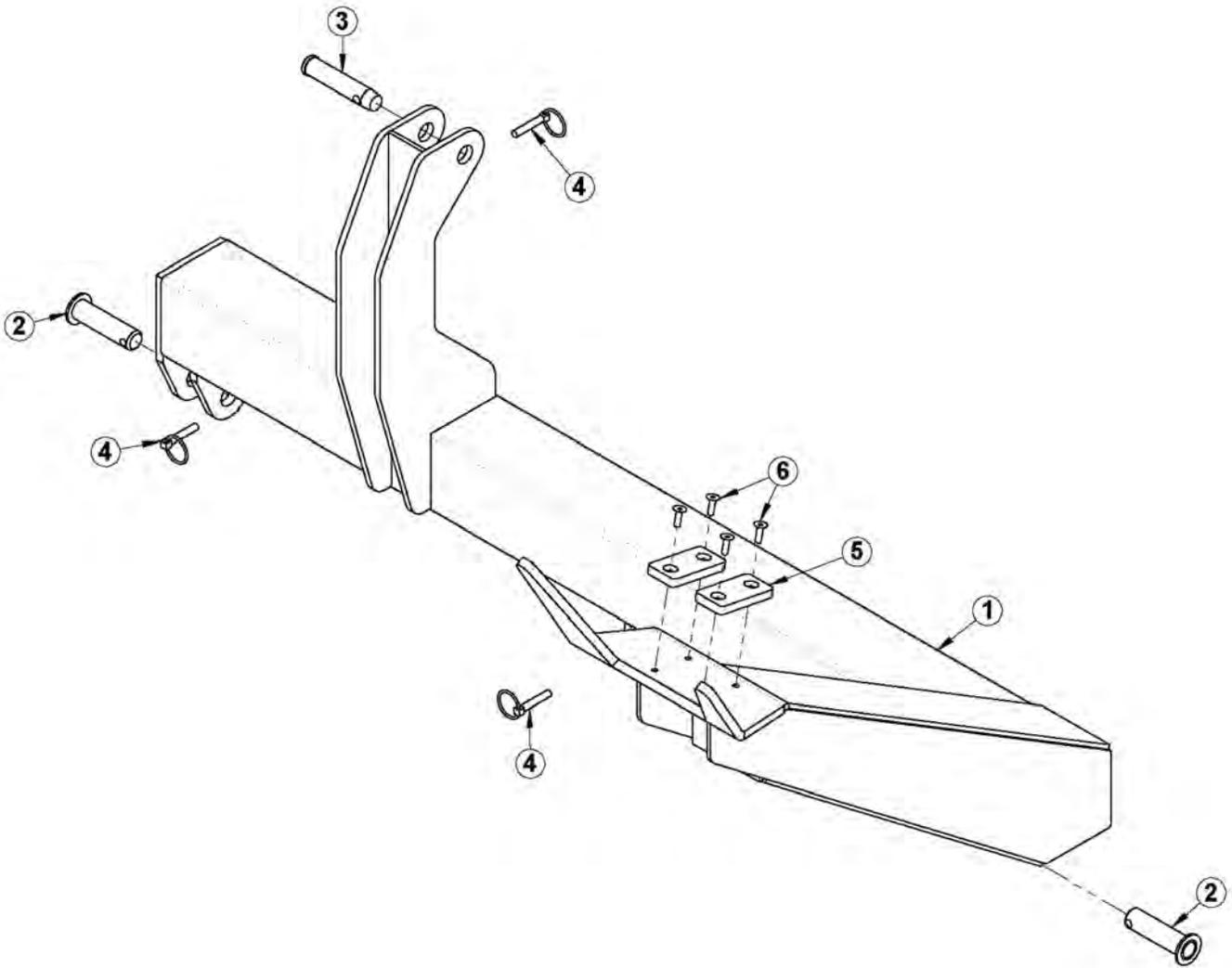
## CABLE (MANUAL) LIFT VALVE BREAKDOWN - 06502038

Continued...

| ITEM | PART NO.  | QTY. | DESCRIPTION                                                             |
|------|-----------|------|-------------------------------------------------------------------------|
| 3    | 537; 7    | 3    | R NGV"GP F "EQXGT                                                       |
| 4    | 537; 6    | 3    | GP F "EQXGT."NQCF "UGP UG                                               |
| 5    | 537; 9    | 3    | XCNXG"UGE VIQP "F QWDNG"CEVRI . "EGP VGT"URTRI +                        |
| 6    | 537; 9    | 3    | XCNXG"UGE VIQP "F QWDNG"CEVRI . "EGP VGT"URTRI +                        |
| 7    | 537; 9    | 3    | XCNXG"UGE VIQP "F QWDNG"CEVRI . "EGP VGT"URTRI +                        |
| 8    | 537; :    | 3    | XCNXG"UGE VIQP "F QWDNG"CEVRI . "EGP VGT"URTRI ."O GVTGF +              |
| 9    | 537; 9    | 3    | XCNXG"UGE VIQP "F QWDNG"CEVRI . "EGP VGT"URTRI +*TGO QXG"UJ WVNNG"FKUE+ |
| :    | VH6434    | 3    | TGNKGH"XCNXG."422"RUK                                                   |
| ;    | VD3239M   | 3    | TGNKGH"XCNXG."4372"RUK                                                  |
| 32   | VD3239L   | 3    | TGNKGH"XCNXG."3: 22"RUK                                                 |
| 33   | 287242; ; | 3    | TGNKGH"XCNXG."4622"RUK                                                  |
| 34   | 447; :    | 3    | TGNKGH"XCNXG."722"RUK                                                   |
| 35   | 2872528:  | 3    | %8"Q/TRI "RNW                                                           |
| 36   | 8V642;    | 3    | %82"Q/TRI "RNW                                                          |
| 37   | 287242: 7 | 3    | TGNKGH"XCNXG."5222"RUK                                                  |
| 38   | VD3239H   | 3    | TGNKGH"XCNXG."3722"RUK                                                  |
| 39   | VD3239H   | 3    | TGNKGH"XCNXG."3722"RUK                                                  |
| 3:   | 28724342  | 3    | TGNKGH"XCNXG."4322"RUK                                                  |
| 3;   | 447; :    | 3    | TGNKGH"XCNXG."722"RUK                                                   |
| 42   | 537; 5    | 7    | XCNXG"UGC N"MK"%"HQT"QP G"UGE VIQP +                                    |
| 42C  | /////     | 4    | Y RGT                                                                   |
| 42D  | /////     | 4    | Q/TRI "UO CNN                                                           |
| 42E  | /////     | 3    | Q/TRI "NCTI G                                                           |
| 42F  | /////     | 3    | UJ WVNNG"FKUE                                                           |
| 42G  | /////     | 3    | URTRI                                                                   |
| 43   | VD3239N   | 7    | NGXGT"MK"%"HQT"QP G"UGE VIQP +                                          |
| 43C  | /////     | 3    | NGXGT"MP QD                                                             |
| 43D  | /////     | 3    | NGXGT                                                                   |
| 43E  | /////     | 4    | NGXGT"Y CUJ GT                                                          |
| 43F  | /////     | 3    | NGXGT"ENR                                                               |
| 43G  | /////     | 4    | NR MCI G                                                                |
| 43H  | /////     | 3    | NGXGT"RR                                                                |
| 43I  | /////     | 3    | TQNN"RR                                                                 |
| 43J  | /////     | 3    | NGXGT"DQQV                                                              |
| 43L  | /////     | 3    | NGXGT"DQNV                                                              |
| 43M  | /////     | 3    | NGXGT"FWUVEQXGT                                                         |
| 43N  | /////     | 3    | NGXGT"PP WW                                                             |
| 44   | 53825     | 7    | EQORGP UC VQT                                                           |
| 45   | VD3239X   | 3    | VGTQF "MK                                                               |
| 46   | 46436     | 3    | Q/TRI ."NCTI G                                                          |

JD6140M BENGAL W/ BUMPER TANK

## BOOMREST - 3 PT



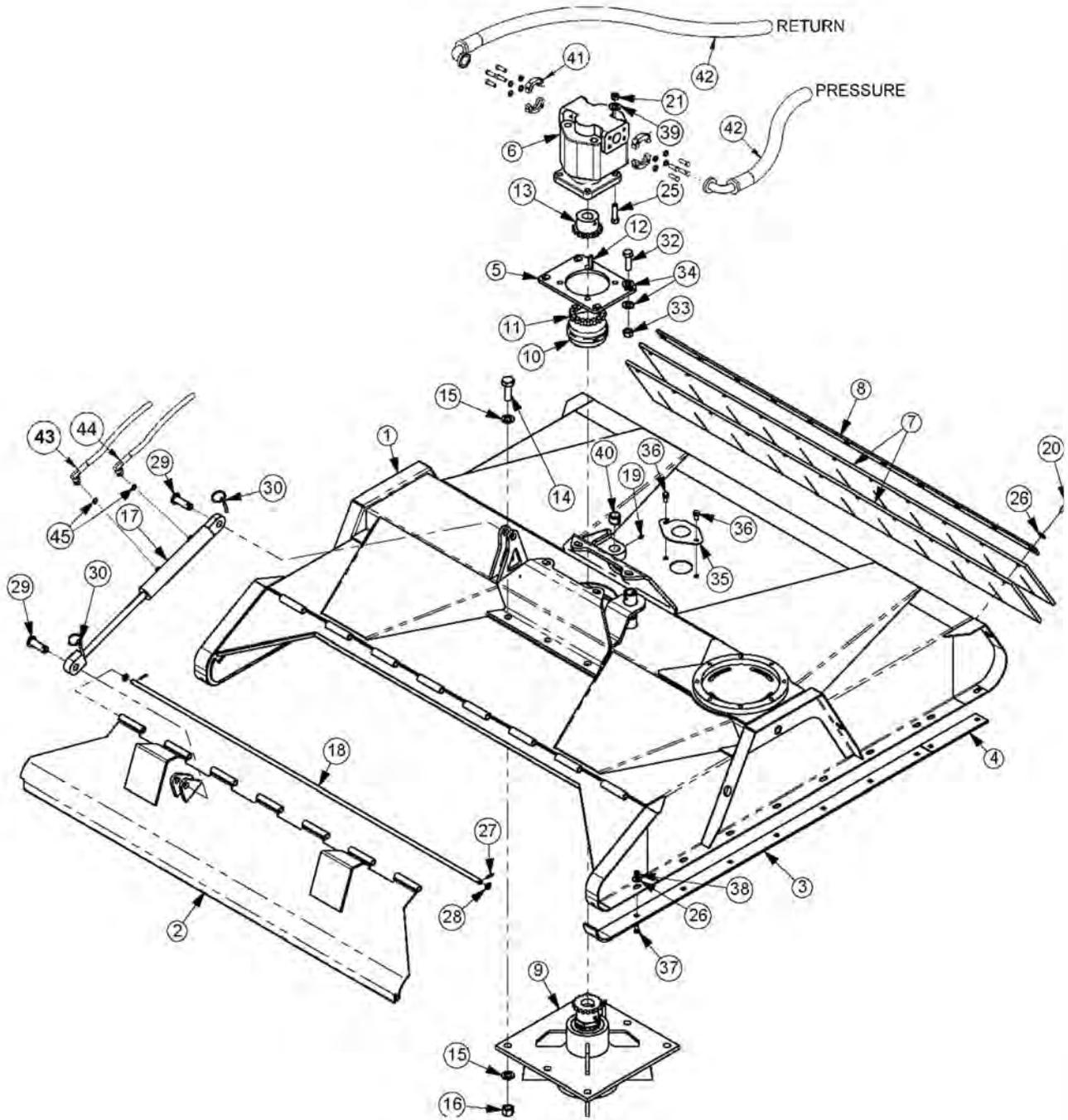
| ITEM | PART NO. | QTY. | DESCRIPTION                          |
|------|----------|------|--------------------------------------|
| 3    | 28532357 | 3    | DQQTGUV.UVF .5RP V                   |
| 4    | VH342    | 4    | RFP .ECRRGF .3/31 \$Z '5/91 \$       |
| 5    | VD3258   | 3    | RFP .UGE 'DQQTGUY KX .3\$Z '6/33B8\$ |
| 6    | VH365    | 5    | RFP .N] PEJ .9B8\$Z '4\$             |
| 7    | 2874229: | 4    | UVTR.TGUV                            |
| 8    | 4: 956   | 6    | ECRUETGY .HNVUM"J F .516\$Z '3\$.PE  |



**NOTES**

**NOTES**

# 60 IN ROTARY ROTATING MOWER ASSEMBLY



| ITEM | PART NO. | QTY. | DESCRIPTION          |
|------|----------|------|----------------------|
| ///  | 28963294 | /    | FGEMVTD82.TQV.ERNV   |
| 3    | 28542382 | 3    | FGEMVTD82.TQV        |
| 4    | 28542384 | 3    | UJ KGNF.VTD82.TQV    |
| 5    | 55999    | 4    | UMKF UJ QG.72\$T VT[ |

JD6140M BENGAL W/ BUMPER TANK

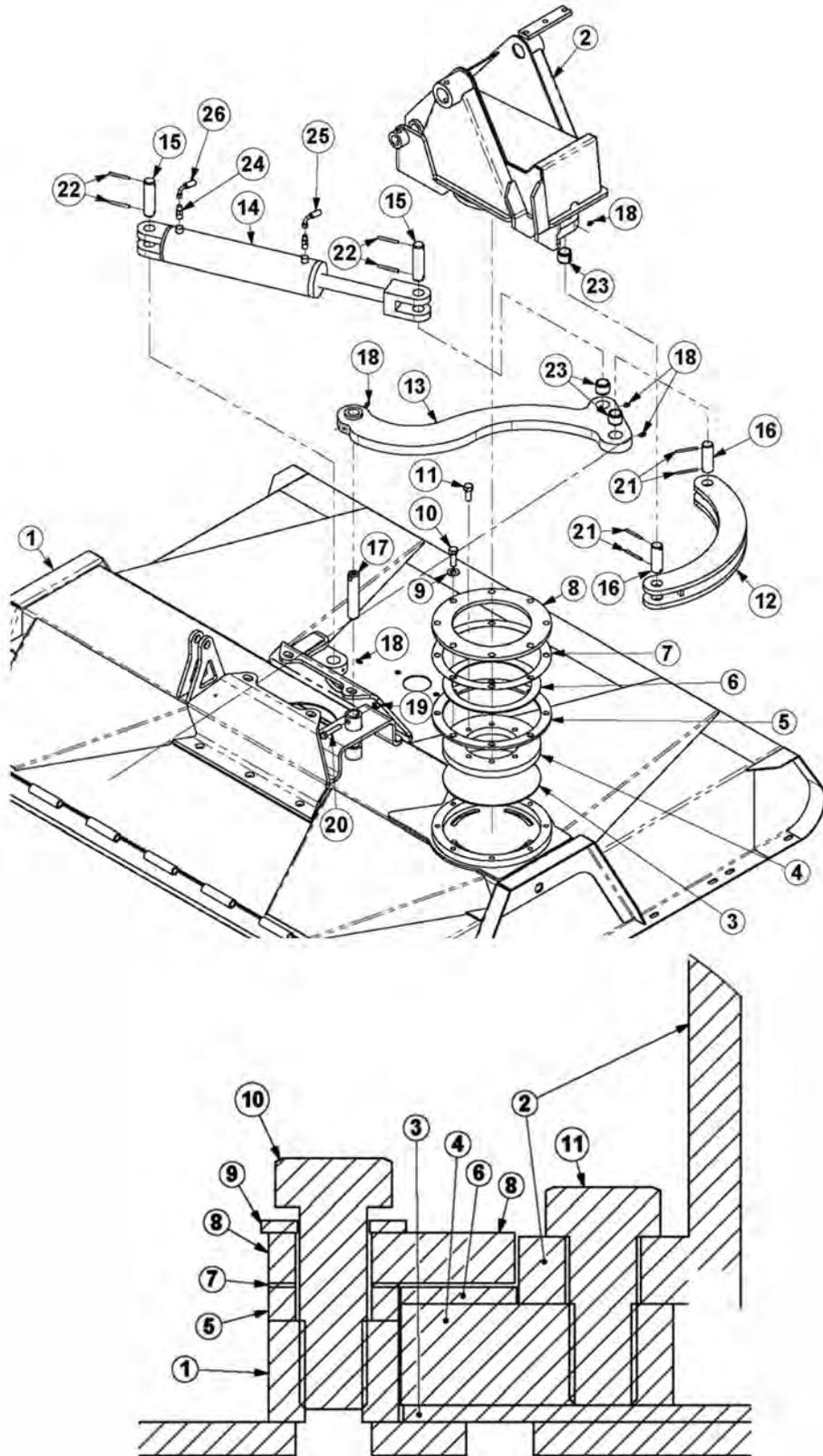
## 60 IN ROTARY ROTATING MOWER ASSEMBLY

Continued...

| ITEM | PART NO.  | QTY. | DESCRIPTION                                      |
|------|-----------|------|--------------------------------------------------|
| 6    | 28623467  | 4    | UMK "U QG.VTD82.TQV                              |
| 7    | 55998     | 3    | O QVQT "O QWP V.RNCVG.72\$TVT[                   |
| 8    | 28726233  | 3    | O QVQT."O 587"/"3/34\$I GCT+                     |
| 9    | 2874245:  | 4    | HNCRF.GHNGEVQT                                   |
| :    | 28V2: 45  | 3    | DCT.HNCR.VO 82                                   |
| ;    | 8V3246J 7 | 3    | URP FNG"CUU] .ERNV.J F.7I: \$J QNGU              |
| 32   | 8V3255    | 3    | EQXGT.EQWRNRI                                    |
| 33   | 8V324;    | 3    | EJ CRP .EQWRNRI "7238+                           |
| 34   | VH346     | 3    | MG] .7B8\$US "Z"/3/34\$TP F                      |
| 35   | 43445     | 3    | URTQEMGV."3/3 16\$DQTG                           |
| 36   | 55: 9;    | 8    | ECRUETGY .516\$Z "4/3 16\$.PHI T":               |
| 37   | 55: : 2   | 34   | HNCVY CUJ GT.516\$.I T": .UCG                    |
| 38   | 8V4635    | 8    | J GZ "P WW.5 16\$.PHI T":                        |
| 39   | 559: 7    | 3    | E[ N.3/34\$Z": \$                                |
| 3:   | 2864235;  | 3    | RP .J RI G.VTD82.TQV                             |
| 3;   | 8V5429    | 3    | I TGCUG\ GTM3 16\$                               |
| 42   | 43855     | 33   | ECRUETGY .51 \$Z "3/5 16\$.PE.I T:               |
| 43   | 43949     | 6    | P[ NQEMP WW.34\$                                 |
| 44   | 43952     | 9    | ECRUETGY .34\$Z "3/3 16\$.PE                     |
| 45   | 43953     | 9    | ECRUETGY .34\$Z "3/3 16\$.PE                     |
| 47   | 43955     | 6    | ECRUETGY .34\$Z "4\$.PE                          |
| 48   | 44238     | 53   | HNCVY CUJ GT.51: \$.I T:                         |
| 49   | 8V5239    | 4    | TQNNRI .5B8\$Z "3\$                              |
| 4:   | 55: 46    | 4    | TGVCRI RI "TRI .GZ VGTPCN.34\$                   |
| 4;   | 55: : 6   | 4    | RI .UI KGF.72\$                                  |
| 52   | TF 3254   | 4    | RI .N] PEJ .3 16\$Z "4\$                         |
| 54   | 8V44: 2   | 6    | ECRUETGY .71: \$Z "4\$.PHI T":                   |
| 55   | 8V462:    | 6    | J GZ "P WW.71: \$.PH                             |
| 56   | 55986     | :    | HNCVY CUJ GT.71: \$.I T": .UCG                   |
| 57   | 5599;     | 3    | RNCVG.EQXGT.MPHJ QNG                             |
| 58   | 55: : 3   | 4    | ECRUETGY .HNI .51: \$Z "5 16\$.PE                |
| 59   | 8V4492    | 42   | RNQY "DQNV.51: \$Z "3\$.PE.I T7                  |
| 5:   | 43847     | 42   | J GZ "P WW.51: \$.PE                             |
| 5;   | 28755226  | 6    | HNCVY CUJ GT                                     |
| 62   | VD5232    | 3    | DWU RI                                           |
| 63   | VH6: 74   | 4    | HNCPI G"MKV                                      |
| 64   | 2872267:  | 4    | J QUG.3\$Z": 7\$. "RTGUWGT" *TG F GECN"UVT RR+   |
| ///  | 2872267:  | /    | J QUG.3\$Z": 7\$. "TGVWTP " *DNWG F GECN"UVT RR+ |
| 65   | 287226: 2 | 3    | J QUG.3 16\$Z "329\$                             |
| 66   | 287226: 3 | 3    | J QUG.3 16\$Z": 9\$                              |
| 67   | 28725279  | 4    | CF CRVGT.3 16QTD "Z "51: O L                     |

JD6140M BENGAL W/ BUMPER TANK

# 60 IN ROTARY MOWER TREE ASSEMBLY

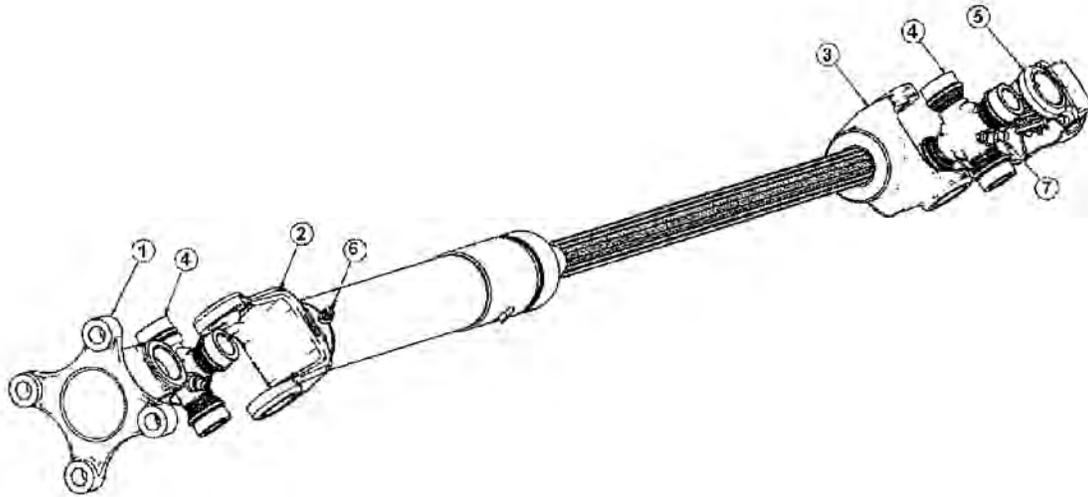


## 60 IN ROTARY MOWER TREE ASSEMBLY

Continued...

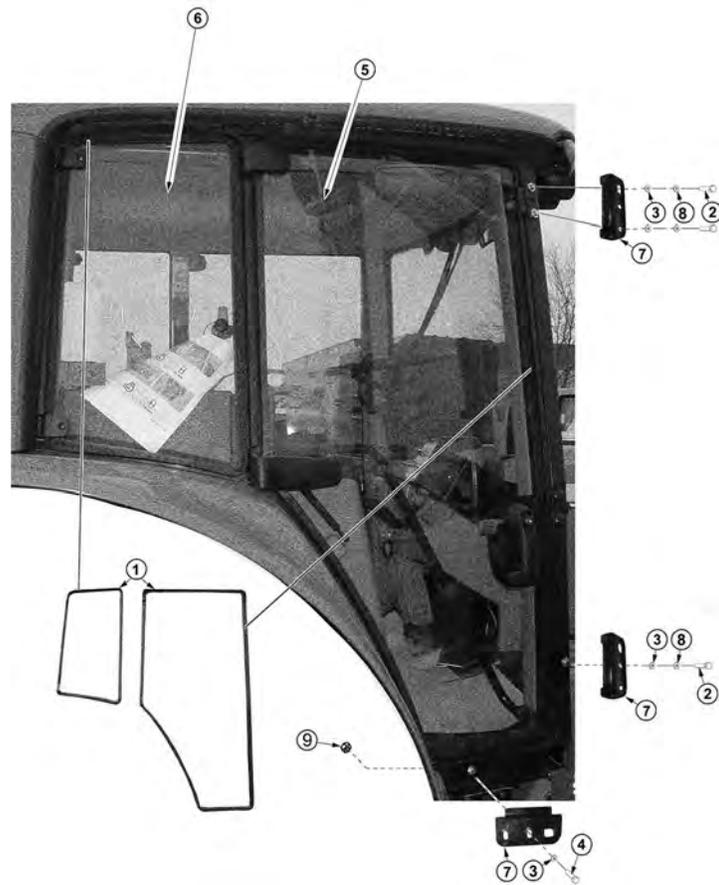
| ITEM | PART NO.  | QTY. | DESCRIPTION                         |
|------|-----------|------|-------------------------------------|
| 3    | 28542382  | 3    | FGEMVTD82.TQV.ERNV                  |
| 4    | 28542385  | 3    | VTGG.VTD82.TQV                      |
| 5    | 286; 9232 | 3    | RCF.WJ O Y .28542385                |
| 6    | 28623472  | 3    | TRP I .ECRVWTG.28542385             |
| 7    | 28623473  | 3    | TRP I .DQNV.28542386                |
| 8    | 286; 9233 | 3    | TRP I .WJ O Y .28542385             |
| 9    | 28623475  | 3    | TRP I .UJ KO .28542386              |
| :    | 28623474  | 3    | TRP I .DQNV.28542386                |
| ;    | 28755226  | 38   | HNCV"Y CUJ GT.34\$.UCGI T":         |
| 32   | 8V449;    | :    | ECRUETGY .34\$Z"3/34\$.PE.I T:      |
| 33   | 43952     | :    | ECRUETGY .34\$Z"3/36\$.PE.I T:      |
| 34   | 28542386  | 3    | NRPMCI G.3.28542385                 |
| 35   | 28963293  | 3    | NRPMCI G.4.28542385.CUU             |
| 36   | 28723243  | 3    | E[ NRPF GT.5\$Z"32\$                |
| 37   | 28642236  | 4    | RR .302\$Z"50 6\$.Y 104\$T QNGUP KV |
| 38   | 28642352  | 4    | RR .302\$Z"40 ; \$.Y 108; \$T QNGU  |
| 39   | 573; 3    | 3    | RR .UY KGN.3\$Z"7\$                 |
| 3:   | 8V5429    | 7    | I TGCUG\ GTM.36\$                   |
| 3;   | 43849     | 3    | P[ NQEMP WW.51 \$.PE                |
| 42   | 43856     | 3    | ECRUETGY .51 \$Z"4\$.PE             |
| 43   | 28759243  | 6    | TQNNRRP .70 O "Z"72O O              |
| 44   | VD3245    | 6    | TQNNRRP .9154\$Z"4\$                |
| 45   | VD5232    | 3    | DWUJ RP I .3\$                      |
| 46   | 55493     | 4    | CF CRVGT.340 QT"Z"51 OL             |
| 47   | 287226: 2 | 3    | J QUG.36\$Z"329\$                   |
| 48   | 287226: 3 | 3    | J QUG.36\$Z"; 9\$                   |

## PUMP DRIVESHAFT



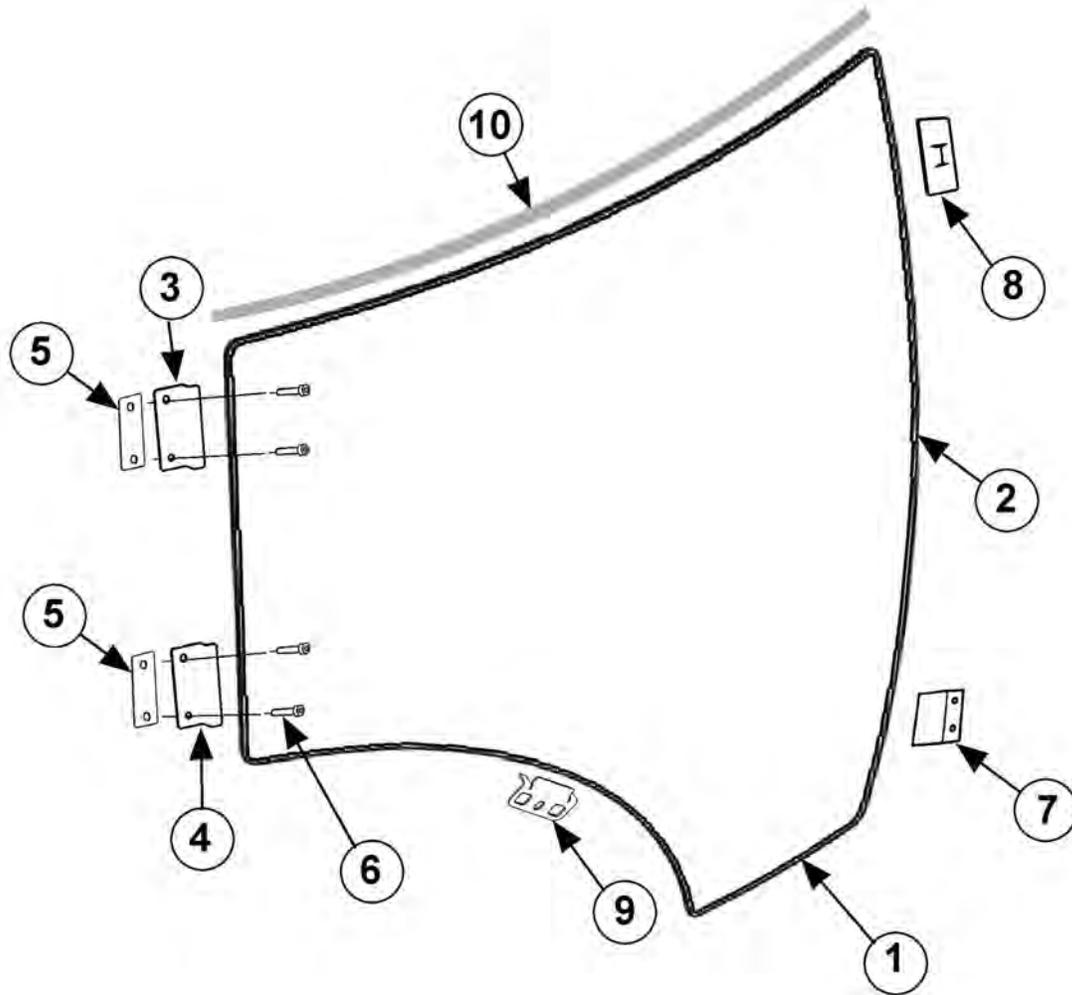
| ITEM | PART NO. | QTY. | DESCRIPTION               |
|------|----------|------|---------------------------|
| ///  | 56; ; ;  | 3    | FTK&GUJ CHV.WLQ&P V.CUU   |
| 3    | 28727226 | 3    | [ QMG'RWNGI               |
| 4    | 28727227 | 3    | UNGGXG                    |
| 5    | 28727228 | 3    | UJ CHV                    |
| 6    | 28727229 | 4    | ETQUU                     |
| 7    | 2872722: | 3    | [ QMG'FTK&G               |
| 8    | 8V5425   | 3    | I TGCUG\ GTM.3 16\$Z '67  |
| 9    | 8V5429   | 5    | I TGCUG\ GTM.3 16\$Z 'UVT |

## POLYCARBONATE SAFETY WINDOW



| ITEM | PART NO.  | QTY. | DESCRIPTION                            |
|------|-----------|------|----------------------------------------|
| 3    | 53; 87    | 44   | VTIO "UGCN.5E \$'ENR'Z"5 16\$QF "HGGV+ |
| 4    | 4972;     | 5    | ECRUETGY .: O O "Z"42O O .3047R        |
| 5    | 44237     | 6    | HNCVY CUI GT.7B8\$                     |
| 6    | 437; 3    | 3    | ECRUETGY .7B8\$Z "3/316\$.PE           |
| 7    | 286; 2227 | 3    | RQN[ ECTD.HFO F.FQQT.TJ                |
| 8    | 286; 2249 | 3    | RQN[ ECTD.HFO F.TGCT.TJ                |
| 9    | 28742262  | 5    | DTMV.IF.RQN[ .TGVC&                    |
| :    | 8V483;    | 5    | NQEMY CUI GT.: O O                     |
| ;    | 43799     | 3    | P[ NQEMP WW.7B8\$.PE                   |

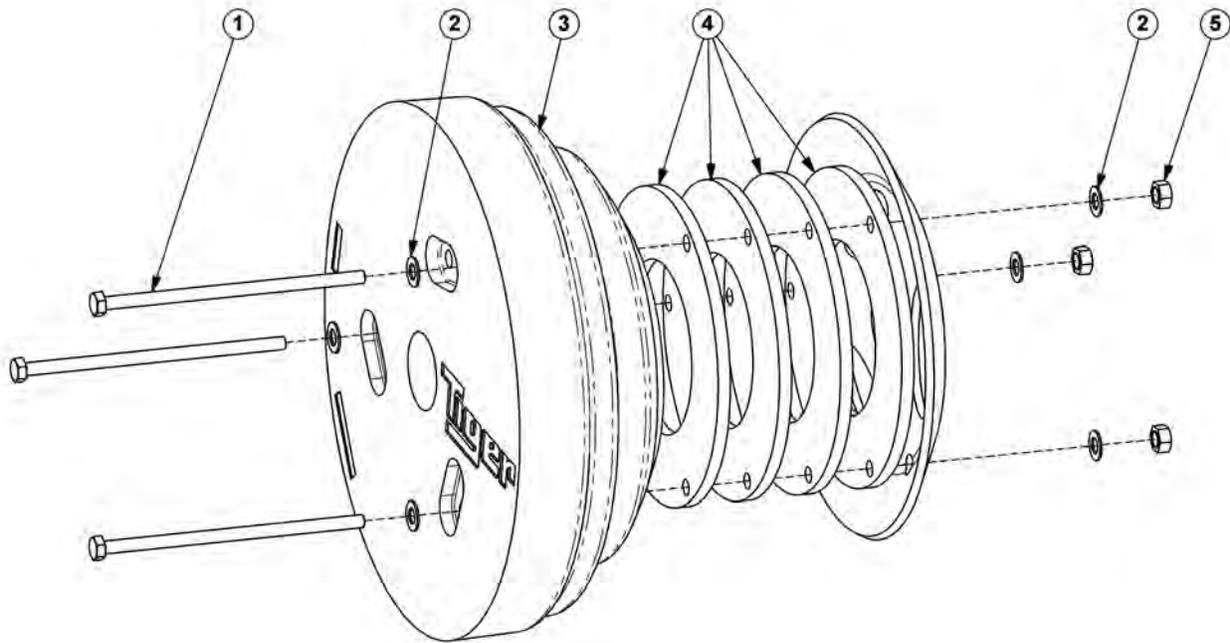
## PANORAMIC POLYCARBONATE WINDOW



| ITEM | PART NO.  | QTY. | DESCRIPTION                         |
|------|-----------|------|-------------------------------------|
| 3    | 286; 2247 | 3    | RQN  ECTD.HFO F.F QQT.TJ            |
| 4    | 53; 87    | 44   | VTIO "UGCN.5E \$ENRZ"5 I6SQF "HGGV+ |
| ///  | 28759227  | 3    | CFJ GUKG", P QV"U QY P              |
| 5    | 28552264  | 3    | DTMV.UHV  "UETP .WRRGT              |
| 6    | 28552263  | 3    | DTMV.UHV  "UETP .NQY GT             |
| 7    | 28624392  | 6    | URCEGT.3\$Z'7E \$Z'5 B8\$           |
| 8    | 3; O9783  | 6    | UETGY ", GZ KUVR I                  |
| 9    | N42; 272  | 3    | DTCEMGV", GZ KUVR I                 |
| :    | N42; 26;  | 3    | DTCEMGV", GZ KUVR I                 |



## WHEEL WEIGHT



| ITEM | PART NO. | QTY. | DESCRIPTION                   |
|------|----------|------|-------------------------------|
| 1    | 06530213 | 3    | CAPSCREW, 7/8" X 16", NC, GR8 |
| 2    | 06533000 | 6    | FLATWASHER, 7/8", GR8         |
| 3    | 32517    | 1    | WHEEL WEIGHT, 1700#           |
| 4    | 06400410 | 4    | SPACER                        |
| 5    | 06531000 | 3    | HEX NUT, 7/8", NC, GR8        |

# NOTES

**PARTS SECTION**

# NOTES

# PART NAME INDEX

|                                                        |    |
|--------------------------------------------------------|----|
| RCTVUQTF GT&P I 'I W&F ( )                             | 7  |
| DQO 'CUU] ']'DGP I CN'3: "V6( )                        | 8  |
| DQO 'CUU] 'DGP I CN'UVP F CTF "44"V6( )                | :  |
| DQO 'CUU] 'J [ F 'DGP I CN'44"V6( )                    | 32 |
| DQO 'CUU] 'DGP I CN'GZ V'46"V6( )                      | 34 |
| DQO 'CUU] 'J [ F 'DGP I CN'46"V6( )                    | 36 |
| DQO TGVU]'QRGP "UVQY ( )                               | 38 |
| 72& "TQVCT[ 'O QY GT'CUUGO DN[ ( )                     | 3: |
| 72& "TQVCT[ 'MP &GU'CP F 'F KU ( )                     | 42 |
| 72& "TQVCT[ 'DNCF G'DCT'CP F 'MP &GU( )                | 43 |
| 82& "TQVCT[ 'O QY GT'CUUGO DN[ ( )                     | 44 |
| 82& "TQVCT[ 'MP &GU'CP F 'F KU ( )                     | 46 |
| 82& "TQVCT[ 'DNCF G'DCT'CP F 'MP &GU( )                | 47 |
| TQVCT[ 'O QY GT'UR& F NG'CUUGO DN[ ( )                 | 48 |
| DQO 'TQVCT[ 'R&QV'CUUGO DN[ ( )                        | 4: |
| 72& 'HNC&'F T&G'CUUGO DN[ ( )                          | 52 |
| 72& 'HNC&'O QY GT'CUUGO DN[ ( )                        | 54 |
| 72& 'HNC&'O QY GT'CUU] .'RCUU VJ TQW J 'MP &GU( )      | 56 |
| 85& 'HNC&'F T&G'CUUGO DN[ ( )                          | 58 |
| 85& 'HNC&'O QY GT'CUUGO DN[ ( )                        | 5: |
| DQO 'HNC&'R&QV'CUUGO DN[ ( )                           | 62 |
| 5& 'Z'35/91: 'R' 'Y GNF GF 'E[ NR F GT'DTGCMF QY P ( ) | 64 |
| 5& 'Z'3: 'R' 'Y GNF GF 'E[ NR F GT'DTGCMF QY P0        | 65 |
| 5/3 4& 'Z'42& 'Y GNF GF 'E[ NR F GT'DTGCMF QY P ( )    | 66 |
| 6& 'Z'42& 'Y GNF GF 'E[ NR F GT'DTGCMF QY P0           | 67 |
| 7& 'Z'42& 'Y GNF GF 'E[ NR F GT'DTGCMF QY P0           | 68 |
| P QVGLU( )                                             | 69 |
| 7"URQQN'GNGEVTQP &"XCNXG/"QRGP "UVQY .5RU( )           | 6: |
| 7"URQQN'GNGEVTQP &"XCNXG/"UF G'UVQY ( )                | 72 |
| HTQP V'J [ F TCWN&'RWO R( )                            | 74 |
| 72& 'CP F '82& "TQVCT[ 'O QVQT'DTGCMF QY P ( )         | 76 |
| HNC&'O QVQT'DTGCMF QY P ( )                            | 78 |
| TGUGT'XQK'VCP M'HNVT'CUUGO DN[ ( )                     | 7: |
| RWO R'CP F 'I T&N'I WCTF 'QRVQP U( )                   | 7; |
| DQO "VTCXGN'NQEM( )                                    | 82 |
| O CP WCN'N&H'XCNXG'UY K&EJ 'DQZ( )                     | 83 |
| O CP WCN'N&H'XCNXG'UEJ GO CV&( )                       | 84 |
| GNGEVTQP &'N&H'XCNXG'UY K&EJ 'DQZ ( )                  | 85 |
| GNGEVTQP &'N&H'XCNXG'UEJ GO CV&( )                     | 86 |
| UQNGP Q&'UY K&EJ 'DQZ'CP F 'Y K'&P I ( )               | 87 |

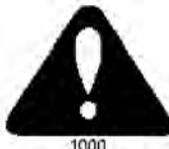


## PARTS ORDERING GUIDE

The following instructions are offered to help eliminate needless delay and error in processing purchase orders for the equipment in this manual.

1. The Parts Section is prepared in logical sequence and grouping of parts that belong to the basic machine featured in this manual. Part Numbers and Descriptions are given to help locate the parts and quantities required.
2. The Purchase Order must indicate the **Name and Address** of the person or organization ordering the parts, **who should be charged**, and if possible, the **serial number of the machine** for which the parts are being ordered.
3. The purchase order must clearly list the **quantity of each part**, the complete and correct **part number**, and the basic **name of the part**.
4. The manufacturer reserves the right to substitute parts where applicable.
5. Some parts may be unlisted items which are special production items not normally stocked and are subject to special handling. Request a quotation for such parts before sending a purchase order.
6. The manufacturer reserves the right to change prices without prior notice.

NOTE: When ordering replacement decals, refer to the part numbers and descriptions listed in the safety section in the front of this manual.

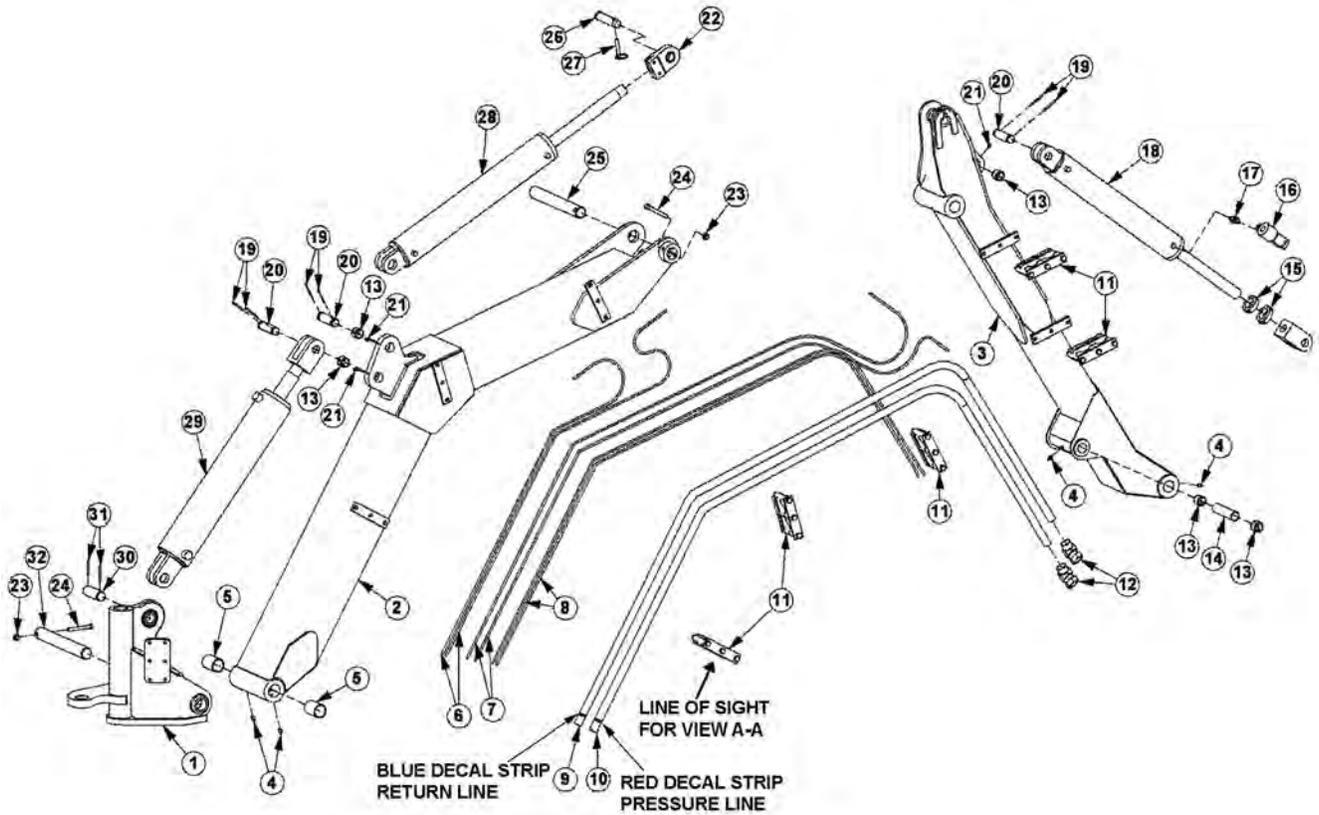


For maximum safety and to guarantee optimum product reliability, always use genuine **Tiger** replacement parts. The use of inferior replacement parts may cause premature or catastrophic failure which could result in serious injury or death.

Direct any questions regarding parts to:

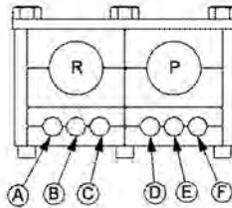
**Tiger Corporation**  
3301 N. Louise Ave.  
Sioux Falls, SD 57107  
1-800-843-6849  
1-605-336-7900

# BOOM ASSY - BENGAL 18 T4



**NOTES:**

1. IMPORTANT: ALIGN GREASE HOLE OR GAP IN BEARING (ITEMS 5 & 13) WITH GREASE ZERK IN BOOM. MAINTAIN ALIGNMENT DURING BEARING INSTALLATION.
2. GREASE HINGE PIN ZERKS (ITEM 4) ON BOOM AFTER ASSEMBLY, ONCE UNDER LOAD WITH BOOM ELEVATED AND AGAIN AT REST WITH BOOM SUPPORTED.
3. ONLY ONE SET COLLAR (ITEM 15) NEEDED FOR ROTARY MOWERS.



VIEW A-A

**KEY**

- A - SECONDARY BUTT
- B - SECONDARY GLAND
- C - DECK ROLL BUTT
- D - DECK ROLL GLAND
- E - SHIELD BUTT
- F - SHIELD GLAND
- R - RETURN
- P - PRESSURE



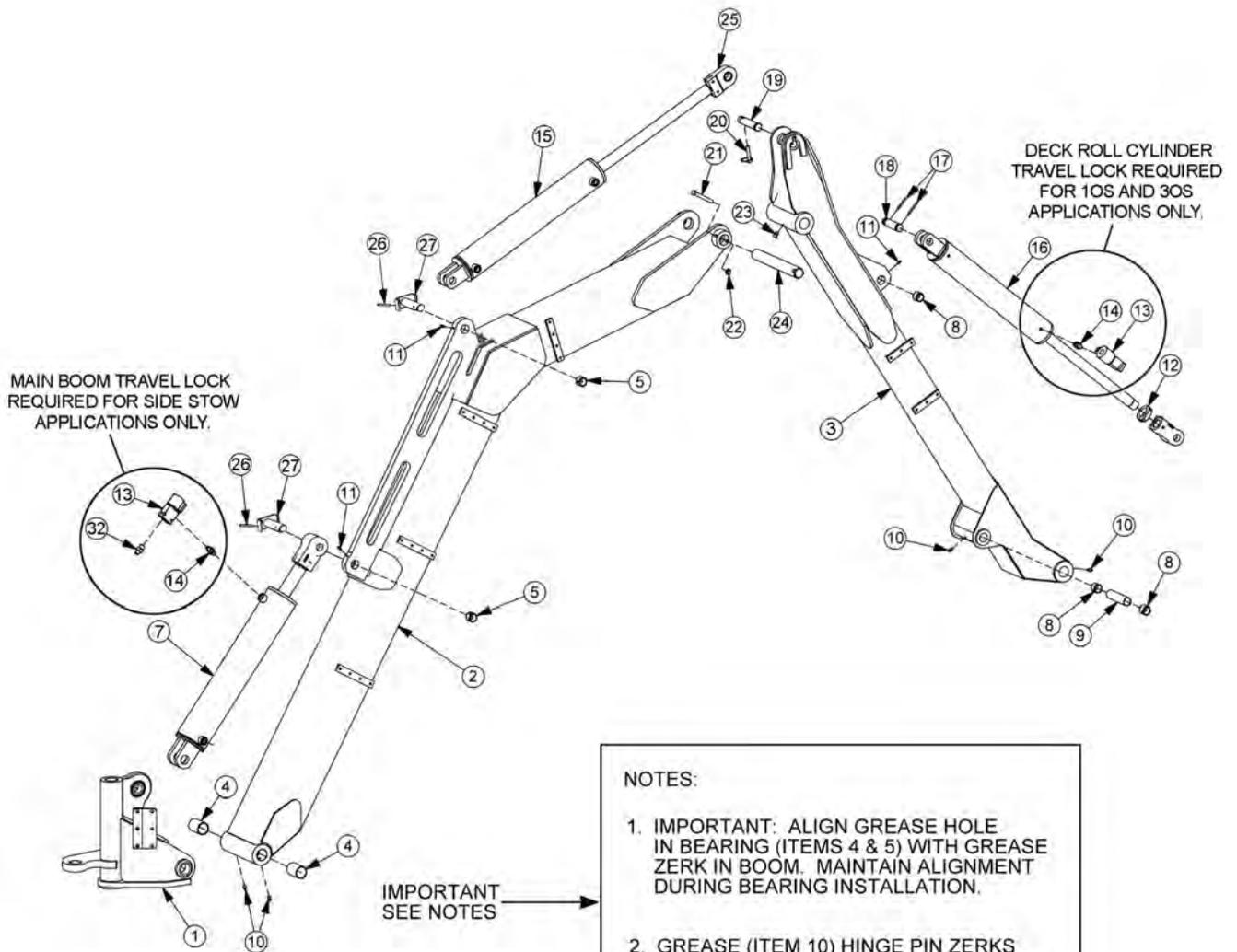
## BOOM ASSY - BENGAL 18 T4

Continued...

| ITEM | PART NO. | QTY. | DESCRIPTION                     |
|------|----------|------|---------------------------------|
| 1    | ----     | -    | REAR STOW SWIVEL ASSY           |
| 2    | 06700167 | -    | MAIN BOOM ASSY                  |
| ---  | 06310111 | 1    | MAIN BOOM WELDMENT              |
| 3    | 06700168 | -    | SECONDARY BOOM ASSY             |
| ---- | 06310112 | 1    | SECONDARY BOOM WELDMENT         |
| 4    | 6T3211   | 4    | GREASE ZERK,1/8"                |
| 5    | 32321    | 2    | BEARING, DX, 1-1/2" X 2"        |
| 6    | 06500499 | 2    | HOSE,1/4" X 50"                 |
| 7    | 06500500 | 2    | HOSE,1/4" X 108"                |
| 8    | 06500502 | 2    | HOSE,1/4" X 100"                |
| 9    | 06500713 | 1    | HOSE,1" X 163"                  |
| 10   | 06500714 | 1    | HOSE,1" X 162"                  |
| 11   | 06505116 | 2    | CLAMP KIT                       |
| 12   | 24724    | 2    | SWIVEL,1MJ X 1FJX45             |
| 13   | TB3010   | 3    | BUSHING                         |
| 14   | TB1035   | 1    | BUSHING,SPACER                  |
| 15   | 35312    | 1    | SET COLLAR                      |
| 16   | 06510050 | 1    | TRAVEL LOCK,METRIPACK COIL      |
| 17   | 31329    | 1    | ADAPTER,1/2ORB X 1/2ORB ADJ     |
| 18   | 06501023 | 1    | DECK ROLL CYLINDER,3" X 18"     |
| 19   | 06537021 | 6    | ROLL PIN,5MM                    |
| 20   | TB1033   | 4    | PIN,1"                          |
| 21   | 6T3207   | 4    | GREASE ZERK,1/4"                |
| 22   | TB3033   | 1    | CLEVIS WITH SPHERICAL BEARING   |
| 23   | 21677    | 2    | NYLOCK NUT,7/16",NC             |
| 24   | 21688    | 2    | CAPSCREW,7/16" X 3-1/4",NC      |
| 25   | TB1025   | 1    | PIN,1-1/2"                      |
| 26   | TB1036   | 1    | PIN,1"                          |
| 27   | TF1143   | 1    | PIN,LYNCH                       |
| 28   | 06501024 | 1    | SECONDARY CYLINDER,3-1/2" X 20" |
| 29   | 06501022 | 1    | MAIN CYLINDER,4" X 20"          |
| 30   | 06420100 | 1    | PIN,1-1/4"                      |
| 31   | TB1023   | 2    | ROLL PIN,7/32"                  |
| 32   | TB3013C  | 1    | PIN,1-1/2"                      |

COMMON BENGAL T4

# BOOM ASSY BENGAL STANDARD 22 T4

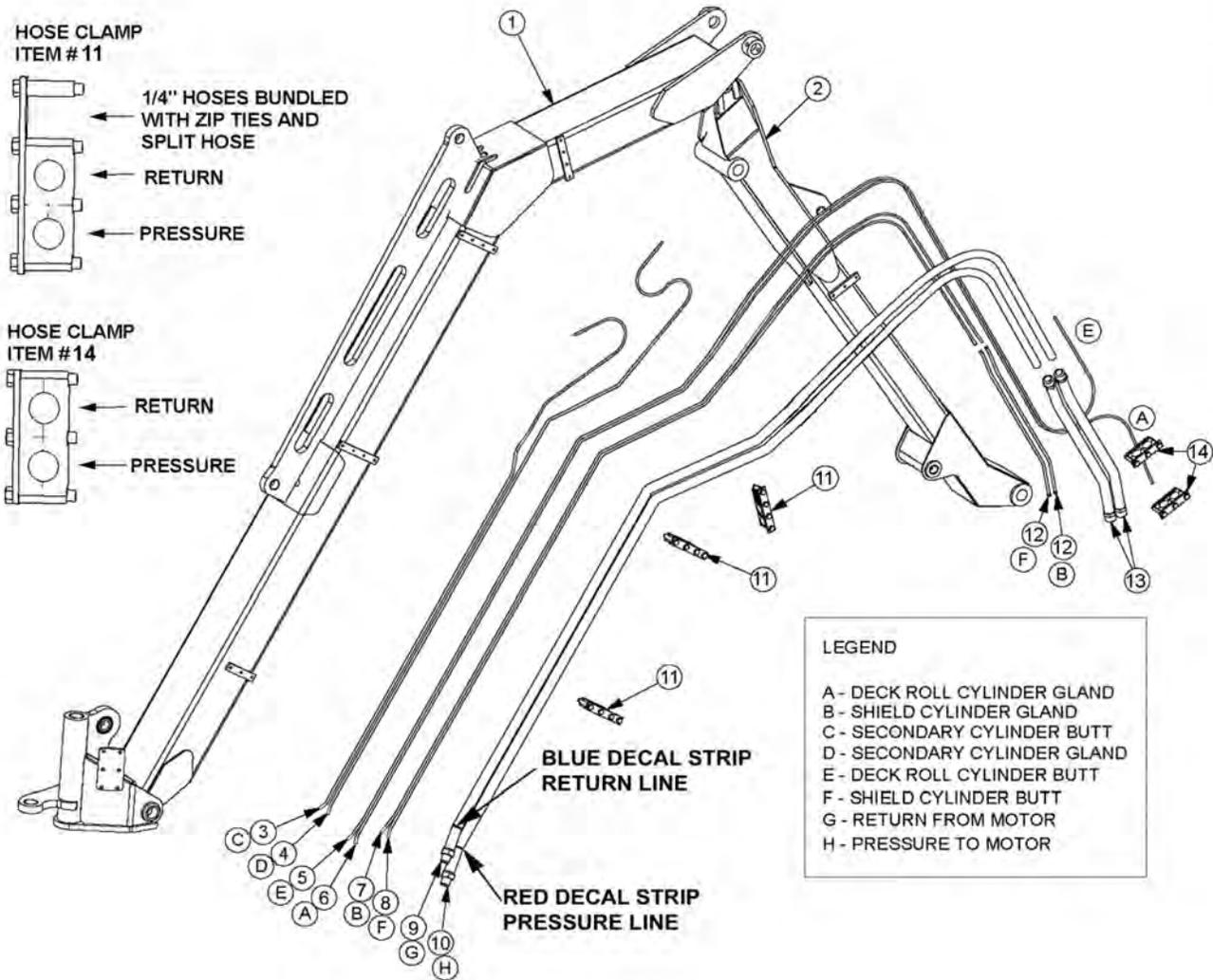


## BOOM ASSY BENGAL STANDARD 22 T4

Continued...

| ITEM | PART NO. | QTY. | DESCRIPTION                             |
|------|----------|------|-----------------------------------------|
| 1    | -----    | -    | SWIVEL ASSY *REFER TO TRACTOR MOUNT KIT |
| 2    | 06700189 | 1    | MAIN BOOM, T4                           |
| 3    | 24517    | 1    | SECONDARY BOOM ARM ASSY                 |
| 4    | 32321    | 2    | BEARING, DX, 1-1/2" X 2"                |
| 5    | TB3010   | 2    | BUSHING, 1"ID                           |
| 7    | 06501020 | 1    | CYLINDER, 5" X 20"                      |
| 8    | TB3010   | 3    | BUSHING, 1"ID                           |
| 9    | TB1035   | 1    | BUSHING,SPACER                          |
| 10   | 6T3211   | 4    | GREASE ZERK,1/8"                        |
| 11   | 6T3207   | 3    | GREASE ZERK,1/4                         |
| 12   | 35312    | 1    | SET COLLAR                              |
| 13   | 06510050 | 1    | TRAVEL LOCK,METRIPACK COIL              |
| 14   | 31329    | 1    | ADAPTER,1/2ORB X 1/2ORB ADJ             |
| 15   | 06501022 | 1    | CYLINDER, 4" X 20"                      |
| 16   | 06501023 | 1    | CYLINDER,3" X 18"                       |
| 17   | 06537021 | 6    | ROLL PIN,5MM                            |
| 18   | TB1033   | 1    | PIN,1" X 4"                             |
| 19   | TB1036   | 1    | PIN,1" X 4-11/16"                       |
| 20   | TF1143   | 1    | PIN,LYNCH                               |
| 21   | 21688    | 2    | CAPSCREW,7/16" X 3-1/4",NC              |
| 22   | 21677    | 2    | NYLOCK NUT,7/16",NC                     |
| 23   | 6T3210   | 1    | GREASE ZERK,1/8" X 90°                  |
| 24   | TB1025   | 1    | PIN,1-1/2" X 12"                        |
| 25   | 30172    | 1    | CLEVIS,SPHERICAL                        |
| 26   | 6T3014   | 2    | ROLL PIN, 1/4" X 2"                     |
| 27   | TB1045B  | 2    | PIN, PRIMARY CYLINDER                   |

# BOOM ASSY HYD BENGAL 22 T4



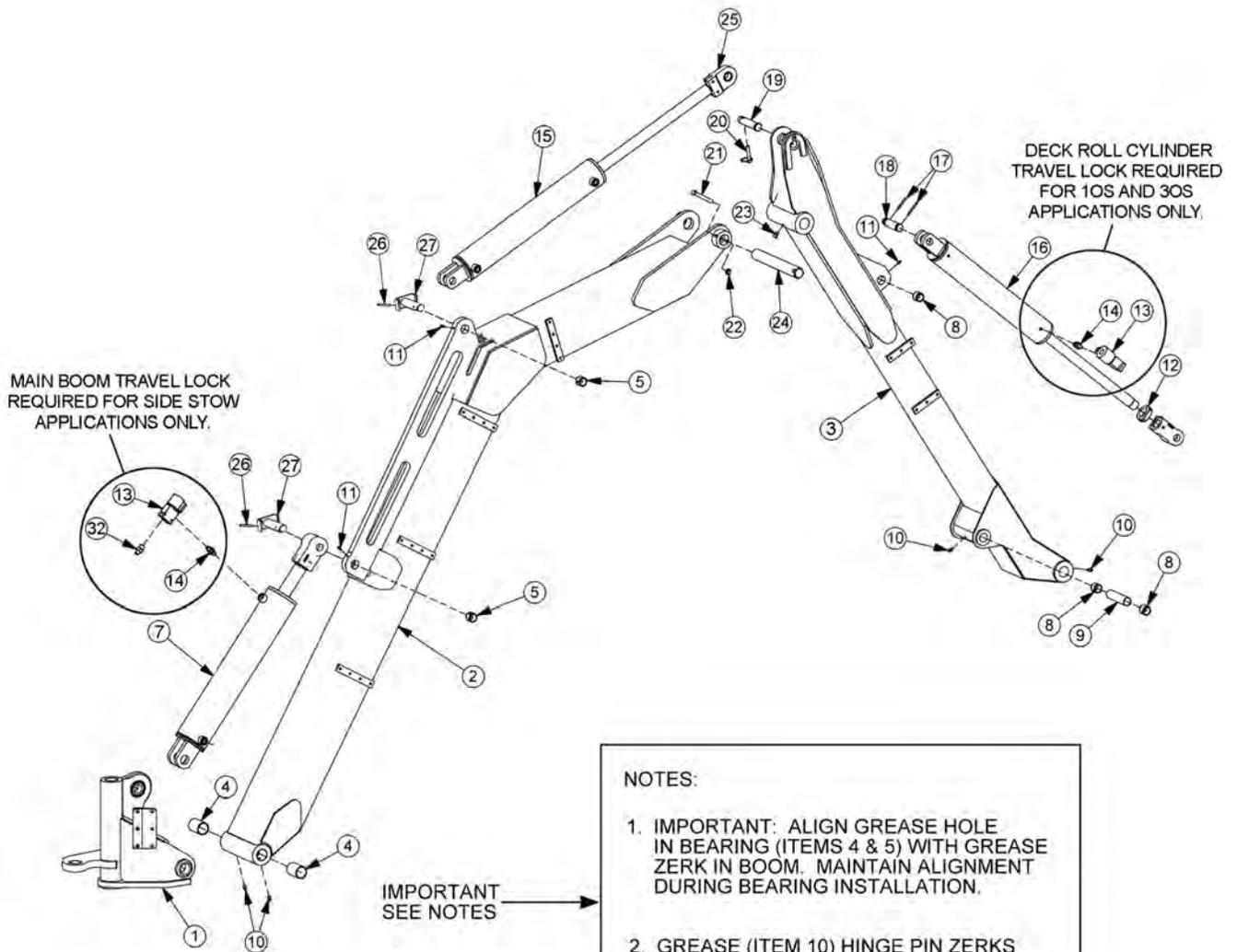
## BOOM ASSY HYD BENGAL 22 T4

Continued...

| ITEM | PART NO. | QTY. | DESCRIPTION                            |
|------|----------|------|----------------------------------------|
| 1    | -----    | -    | MAIN BOOM *REFER TO BOOM ARM ASSY      |
| 2    | -----    | -    | SECONDARY BOOM *REFER TO BOOM ARM ASSY |
| 3    | 06500694 | 1    | HOSE, 1/4" X 83"                       |
| 4    | ---      | 1    | HOSE, 1/4" X 83"                       |
| 5    | 06500695 | 1    | HOSE, 1/4" X 138"                      |
| 6    | ----     | 1    | HOSE, 1/4" X 138"                      |
| 7    | 06500696 | 1    | HOSE, 1/4" X 112"                      |
| 8    | ---      | 1    | HOSE, 1/4" X 112"                      |
| 9    | 34645    | 1    | HOSE, 1" X 182"                        |
| 10   | ---      | 1    | HOSE, 1" X 182"                        |
| 11   | 06505019 | 3    | CLAMP KIT,3 SECTION                    |
| 12   | 34102    | 2    | TUBE,PRFRMD,SEC BOOM                   |
| 13   | 2403306  | 2    | TUBE,PRFRMD,SEC BOOM,HP                |
| 14   | 30111    | 2    | CLAMP KIT,2 SECTION                    |

COMMON BENGAL T4

# BOOM ASSY BENGAL EXT 24 T4



## NOTES:

1. IMPORTANT: ALIGN GREASE HOLE IN BEARING (ITEMS 4 & 5) WITH GREASE ZERK IN BOOM. MAINTAIN ALIGNMENT DURING BEARING INSTALLATION.
2. GREASE (ITEM 10) HINGE PIN ZERKS ON BOOM AFTER ASSEMBLY, ONCE UNDER LOAD WITH BOOM ELEVATED AND AGAIN AT REST WITH BOOM SUPPORTED.

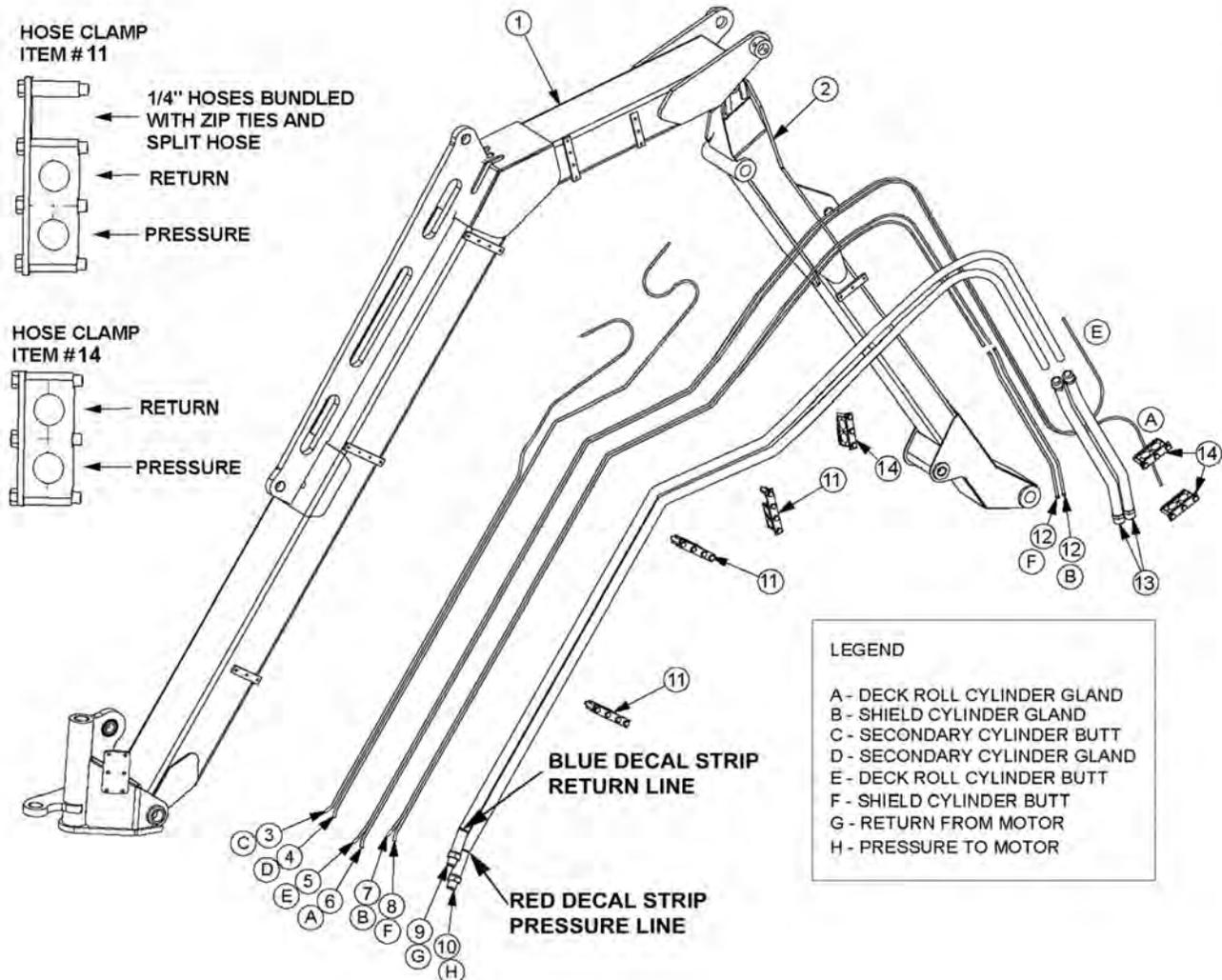
## BOOM ASSY BENGAL EXT 24 T4

Continued...

| ITEM | PART NO. | QTY. | DESCRIPTION                             |
|------|----------|------|-----------------------------------------|
| 1    | -----    | -    | SWIVEL ASSY *REFER TO TRACTOR MOUNT KIT |
| 2    | 06700191 | 1    | MAIN BOOM, EXT, T4                      |
| 3    | 06700094 | 1    | SECONDARY BOOM ARM ASSY, EXT, T4        |
| 4    | 32321    | 2    | BEARING, DX, 1-1/2" X 2"                |
| 5    | TB3010   | 2    | BUSHING, 1"ID                           |
| 7    | 06501020 | 1    | CYLINDER, 5" X 20"                      |
| 8    | TB3010   | 3    | BUSHING, 1"ID                           |
| 9    | TB1035   | 1    | BUSHING,SPACER                          |
| 10   | 6T3211   | 4    | GREASE ZERK,1/8"                        |
| 11   | 6T3207   | 3    | GREASE ZERK,1/4                         |
| 12   | 35312    | 1    | SET COLLAR                              |
| 13   | 06510050 | 1    | TRAVEL LOCK,METRIPACK COIL              |
| 14   | 31329    | 1    | ADAPTER,1/2ORB X 1/2ORB ADJ             |
| 15   | 06501022 | 1    | CYLINDER, 4" X 20"                      |
| 16   | 06501023 | 1    | CYLINDER,3" X 18"                       |
| 17   | 06537021 | 6    | ROLL PIN,5MM                            |
| 18   | TB1033   | 1    | PIN,1" X 4"                             |
| 19   | TB1036   | 1    | PIN,1" X 4-11/16"                       |
| 20   | TF1143   | 1    | PIN,LYNCH                               |
| 21   | 21688    | 2    | CAPSCREW,7/16" X 3-1/4",NC              |
| 22   | 21677    | 2    | NYLOCK NUT,7/16",NC                     |
| 23   | 6T3210   | 1    | GREASE ZERK,1/8" X 90°                  |
| 24   | TB1025   | 1    | PIN,1-1/2" X 12"                        |
| 25   | 30172    | 1    | CLEVIS,SPHERICAL                        |
| 26   | 6T3014   | 2    | ROLL PIN, 1/4" X 2"                     |
| 27   | TB1045B  | 2    | PIN, PRIMARY CYLINDER                   |

COMMON BENGAL T4

# BOOM ASSY HYD BENGAL 24 T4





## BOOM ASSY HYD BENGAL 24 T4

Continued...

| ITEM | PART NO. | QTY. | DESCRIPTION                            |
|------|----------|------|----------------------------------------|
| 1    | -----    | -    | MAIN BOOM *REFER TO BOOM ARM ASSY      |
| 2    | -----    | -    | SECONDARY BOOM *REFER TO BOOM ARM ASSY |
| 3    | 06500716 | 1    | HOSE, 1/4" X 100"                      |
| 4    | ---      | 1    | HOSE, 1/4" X 100 "                     |
| 5    | 06500717 | 1    | HOSE, 1/4" X 170"                      |
| 6    | ----     | 1    | HOSE, 1/4" X 170"                      |
| 7    | 06500718 | 1    | HOSE, 1/4" X 130"                      |
| 8    | ---      | 1    | HOSE, 1/4" X 130"                      |
| 9    | 06500715 | 1    | HOSE, 1" X 198"                        |
| 10   | ---      | 1    | HOSE, 1" X 198"                        |
| 11   | 06505019 | 3    | CLAMP KIT,3 SECTION                    |
| 12   | 34103    | 2    | TUBE,PRFRMD,SEC BOOM                   |
| 13   | 30169    | 2    | TUBE,PRFRMD,SEC BOOM,HP                |
| 14   | 30111    | 2    | CLAMP KIT,2 SECTION                    |

COMMON BENGAL T4



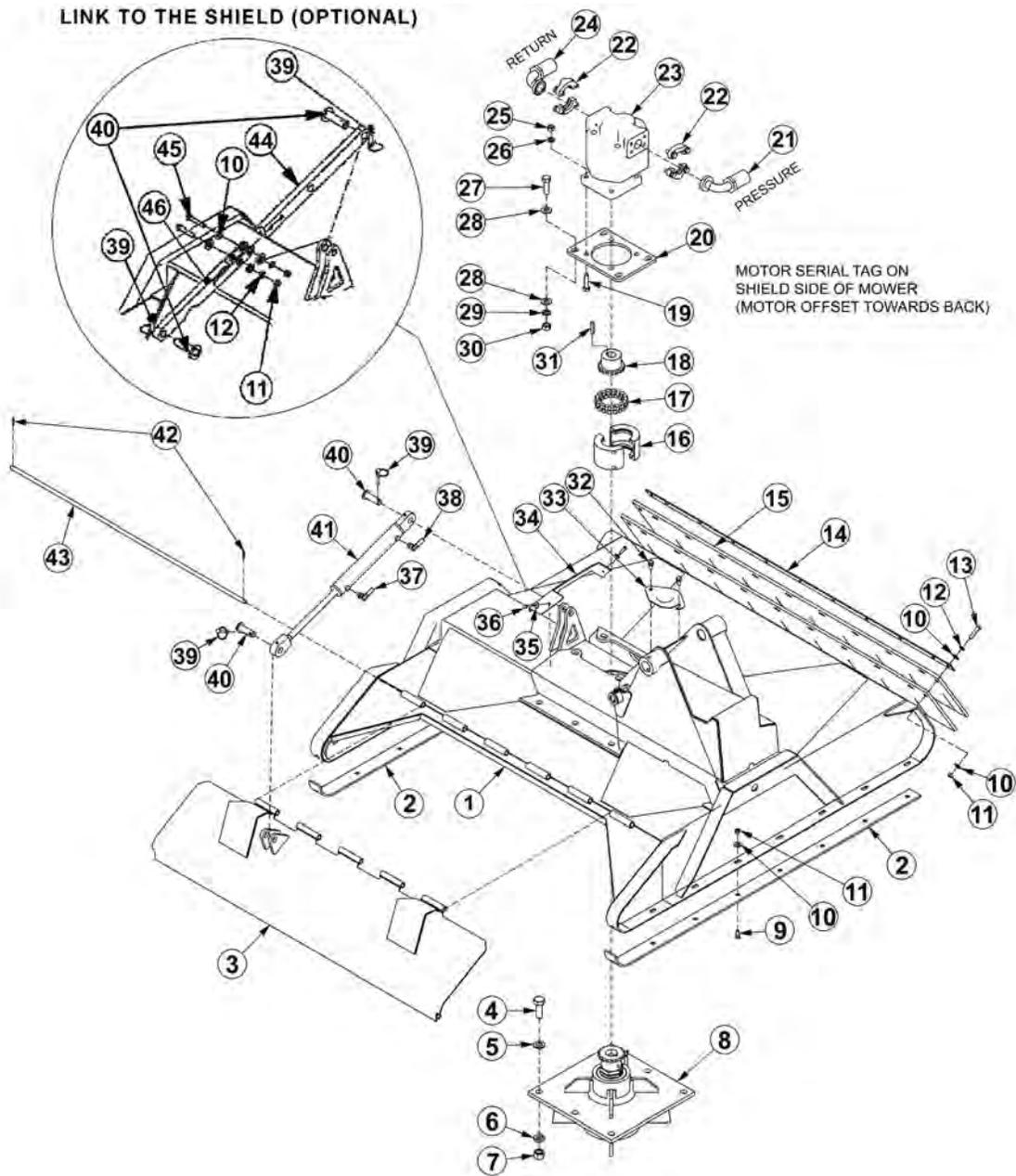
## BOOMREST - OPEN STOW

Continued...

| ITEM | PART NO. | QTY. | DESCRIPTION               |
|------|----------|------|---------------------------|
| 1    | 06310157 | 1    | BOOMREST,OS               |
| 2    | 06410968 | 1    | SADDLE                    |
| 3    | 21732    | 4    | CAPSCREW,1/2" X 1-3/4",NC |
| 4    | 06533004 | 8    | FLATWASHER,1/2",SAE       |
| 5    | 21725    | 4    | HEX NUT,1/2",NC           |
| 6    | 21782    | 8    | CAPSCREW,5/8" X 1-3/4",NC |
| 7    | 33764    | 16   | FLATWASHER,5/8",SAE       |
| 8    | 21775    | 8    | HEX NUT,5/8",NC           |
| 9    | 24881    | 12   | LOCKWASHER,20MM           |
| 10   | 27281    | 12   | CAPSCREW,20MM X 60MM,2.5P |
| 11   | ---      | 1    | AXLE BRACE,RH             |
| 12   | ----     | 1    | AXLE BRACE,LH             |

COMMON BENGAL T4

## 50IN ROTARY MOWER ASSEMBLY



| ITEM | PART NO. | QTY. | DESCRIPTION                    |
|------|----------|------|--------------------------------|
| 1    | 33780    | 1    | DECK,WLDMNT,50" RTRY           |
| 2    | 33777    | 2    | SKID SHOE,50" RTRY             |
| 3    | 33754    | 1    | SHIELD,50"RTRY                 |
| 4    | 33879    | 6    | CAPSCREW, 3/4 X 2 1/4,NF GR 8  |
| 5    | 33880    | 6    | FLATWASHER,3/4",GR 8,SAE       |
| 6    | 21993    | 6    | LOCKWASHER,3/4",GR 8           |
| 7    | 6T2413   | 6    | HEX NUT,3/4,NF,GR 8            |
| 8    | 6T1024H5 | 1    | SPINDLE ASSY,CPLT,HD,5/8 HOLES |

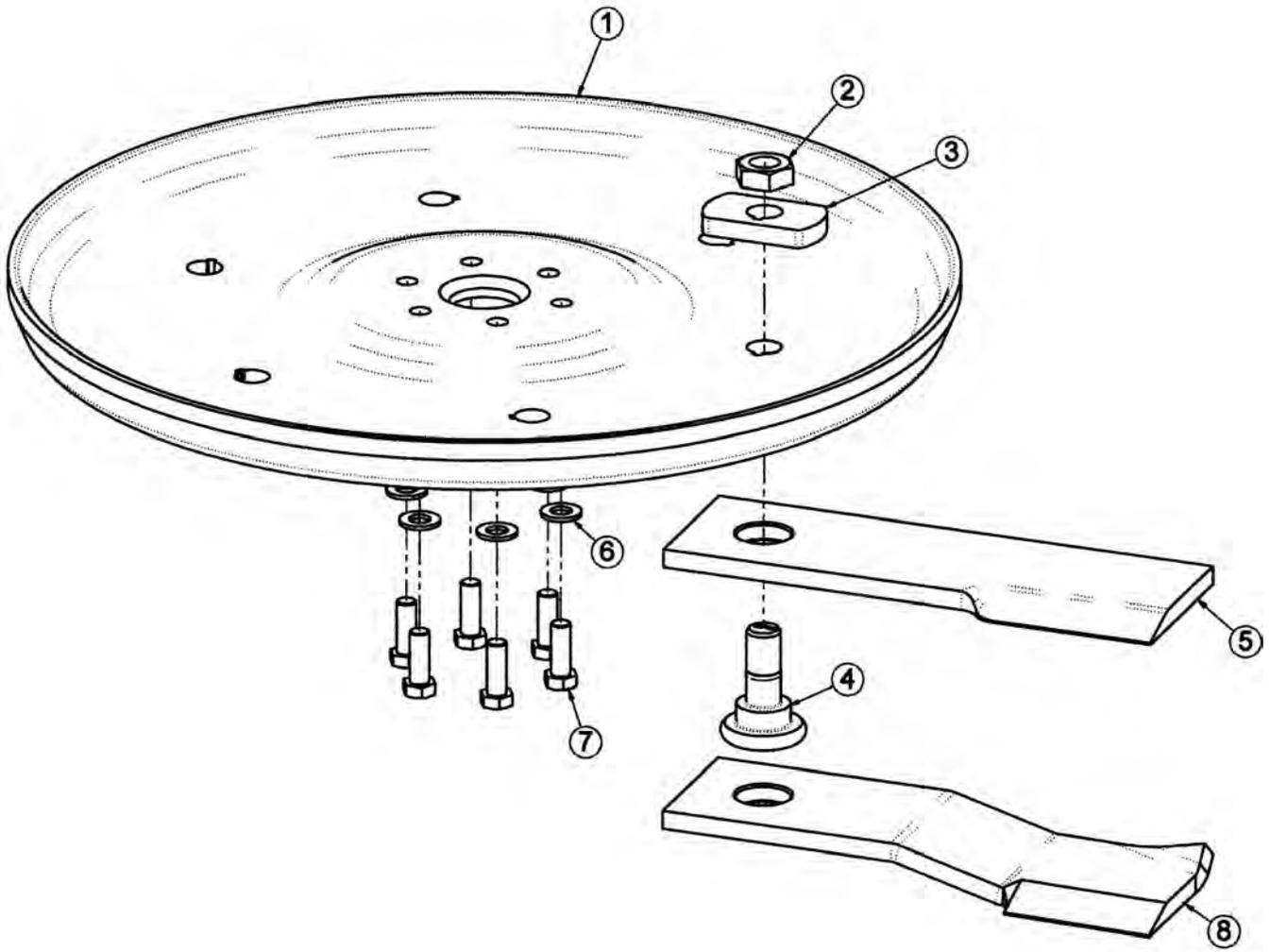
## 50IN ROTARY MOWER ASSEMBLY

Continued...

| ITEM | PART NO. | QTY. | DESCRIPTION                   |
|------|----------|------|-------------------------------|
| 9    | 6T2270   | 16   | PLOW BOLT,3/8" X 1" NC        |
| 10   | 22016    | 33   | FLATWASHER,3/8"               |
| 11   | 21625    | 20   | HEX NUT,3/8",NC               |
| 12   | 21988    | 11   | LOCKWASHER, 3/8"              |
| 13   | 21633    | 11   | CAPSCREW, 3/8 X 1 3/4,NC      |
| 14   | 33774    | 1    | FLAP RETAINER,50" RTRY        |
| 15   | 33775    | 2    | FLAP,50" RTRY                 |
| 16   | 6T1033   | 1    | COUPLER COVER                 |
| 17   | 6T1029   | 1    | COUPLER CHAIN                 |
| 18   | 21223    | 1    | SPROCKET                      |
| 19   | 21733    | 4    | CAPSCREW, 1/2 X 2,NC          |
| 20   | 33776    | 1    | MOTOR MOUNT,PLATE,50" RTRY    |
| 21   | 24490    | 1    | HOSE - PRESSURE               |
| ---  | 06500155 | 1    | HOSE- PRESSURE (LRS ONLY)     |
| 22   | TF4852   | 2    | FLANGE KIT - #20              |
| 23   | 06504012 | 1    | MOTOR                         |
| 24   | 24489    | 1    | HOSE - RETURN                 |
| ---  | 06500154 | 1    | HOSE-RETURN (LRS ONLY)        |
| 25   | 21725    | 4    | HEX NUT, 1/2" NC              |
| 26   | 06533004 | 4    | FLATWASHER, 1/2"              |
| 27   | 6T2290   | 4    | CAPSCREW,5/8X2,NF GR 8        |
| 28   | 33764    | 8    | FLATWASHER,5/8",GR 8,SAE      |
| 29   | 21992    | 4    | LOCKWASHER, 5/8               |
| 30   | 6T2408   | 4    | HEX NUT, 5/8, NF              |
| 31   | TF1124   | 1    | SQUARE KEY                    |
| 32   | 33881    | 2    | CAPSCREW,FLG, 3/8 X 3/4,NC    |
| 33   | 33779    | 1    | PLATE,COVER,KNF HOLE          |
| 34   | 06410439 | 1    | COVER                         |
| 35   | 22014    | 2    | FLATWASHER,1/4                |
| 36   | 21530    | 2    | CAPSCREW,1/4 X 1,NC           |
| 37   | 34187    | 1    | HOSE 1/4" X 75"               |
| 38   | 34186    | 1    | HOSE 1/4" X 66"               |
| 39   | RD1032   | 2    | LYNCH PIN                     |
| 40   | 33984    | 2    | PIN,SHIELD,50"                |
| 41   | 33785    | 1    | 1-1/2" X 8", CYLINDER, WELDED |
| 42   | 6T3017   | 2    | ROLLPIN                       |
| 43   | 33778    | 1    | HINGE PIN,50" RTRY            |
| 44   | 33772    | 1    | LINK, SHIELD 50" RTRY         |
| 45   | 21634    | 2    | CAPSCREW, 3/8" X 2, NC        |
| 46   | 33773    | 1    | LINK 2, SHIELD 50" RTRY       |

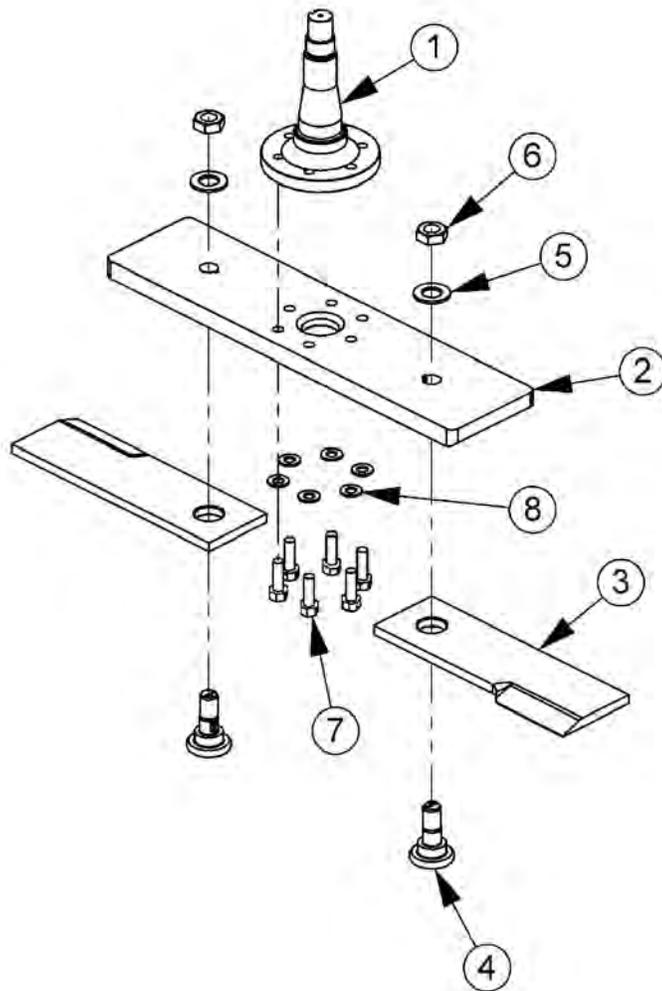
COMMON BENGAL T4

## 50IN ROTARY KNIVES AND DISH



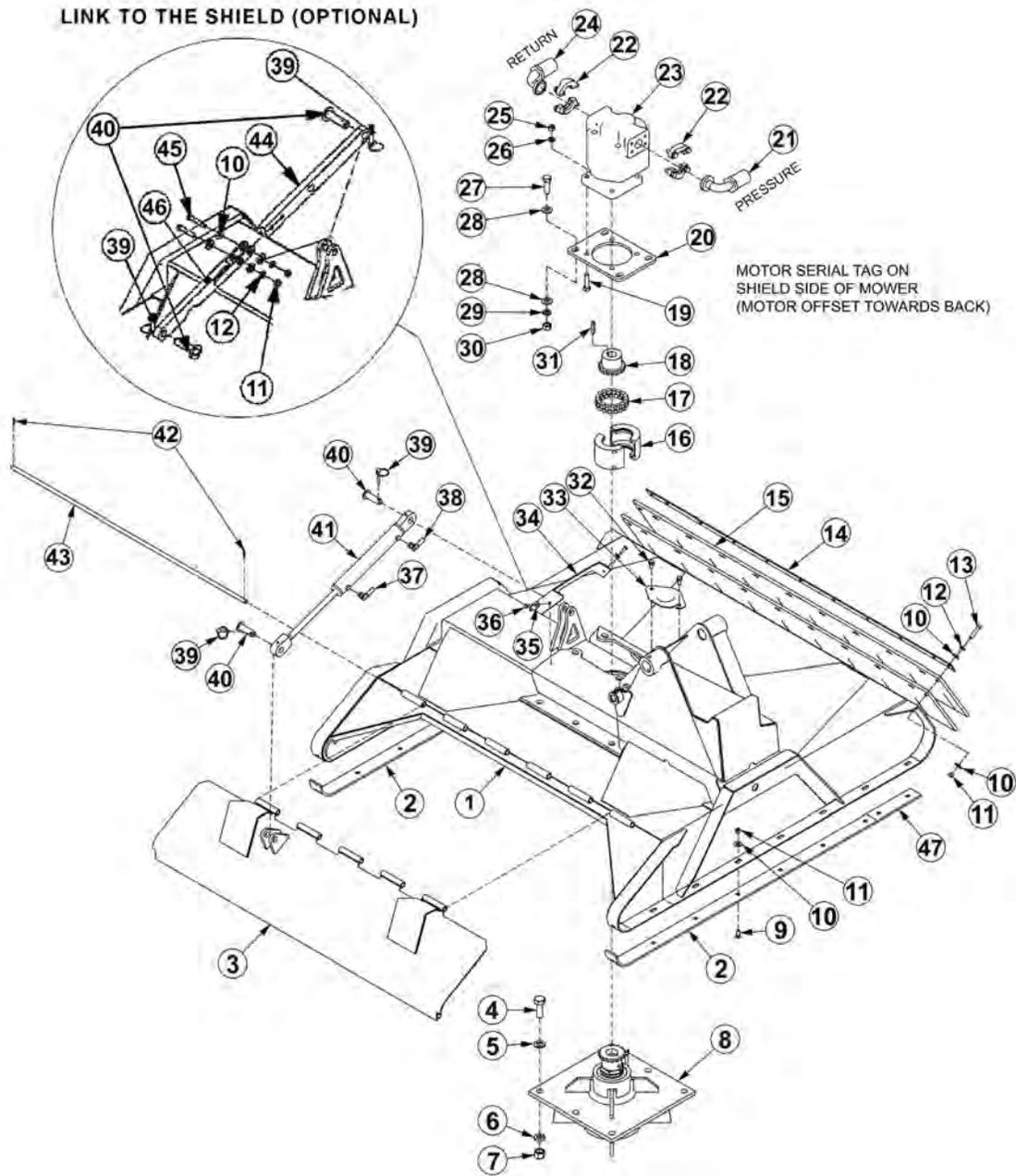
| ITEM  | PART NO. | QTY. | DESCRIPTION                                        |
|-------|----------|------|----------------------------------------------------|
| ----- | 06700089 | -    | KIT,TRB50,DISK,W/BOLT KIT (INCLUDES ITEMS 1,3 & 7) |
| 1     | 06770003 | 1    | BLADE MOUNTING DISK                                |
| 2     | 6T1023R  | 2    | NYLOCK HEX NUT 1 1/8"                              |
| 3     | 34878    | 2    | SPACER                                             |
| 4     | 06538000 | 2    | KNIFE MOUNTING BOLT                                |
| 5     | 06521001 | 2    | STANDARD KNIFE                                     |
| 6     | 33764    | 6    | FLATWASHER                                         |
| 7     | 6T2259   | 6    | CAPSCREW                                           |
| ----- | 06770012 | -    | BOLT KIT (INCLUDES ITEMS 6, 7 & LOCTITE)           |
| 8     | 06521002 | 2    | GRASS KNIFE (OPTIONAL)                             |
| ----- | 6T1825   | -    | LOCTITE - USED ON ALL DISK MOUNTING BOLTS          |

## 50IN ROTARY BLADE BAR AND KNIVES



| ITEM | PART NO. | QTY. | DESCRIPTION                 |
|------|----------|------|-----------------------------|
| 1    | PT1018H5 | 1    | SPINDLE,5/8HOLES,HD,WO/TABS |
| 2    | 06400388 | 1    | BAR,BLADE,TRB               |
| 3    | 06521001 | 2    | KNIFE,TRB50,5/8             |
| 4    | 06538000 | 2    | KNIFE MTG BOLT,5/8 SHOULDER |
| 5    | 06533002 | 2    | FLATWASHER,1 1/8,GR 8       |
| 6    | 6T1023R  | 2    | KNIFE MTG NUT,1 1/8,NF,GR8  |
| 7    | 6T2259   | 6    | CAPSCREW,5/8X1-3/4,NF,GR8   |
| 8    | 33764    | 6    | FLATWASHER,5/8,GR 8,SAE     |

# 60IN ROTARY MOWER ASSEMBLY



| ITEM | PART NO. | QTY. | DESCRIPTION                    |
|------|----------|------|--------------------------------|
| 1    | 06320159 | 1    | DECK,WLDMNT,60" RTRY           |
| 2    | 33777    | 2    | SKID SHOE,RTRY                 |
| 3    | 06320162 | 1    | SHIELD,60"RTRY                 |
| 4    | 33879    | 6    | CAPSCREW, 3/4 X 2 1/4,NF GR 8  |
| 5    | 33880    | 6    | FLATWASHER,3/4",GR 8,SAE       |
| 6    | 21993    | 6    | LOCKWASHER,3/4",GR 8           |
| 7    | 6T2413   | 6    | HEX NUT,3/4,NF,GR 8            |
| 8    | 6T1024H5 | 1    | SPINDLE ASSY,CPLT,HD,5/8 HOLES |



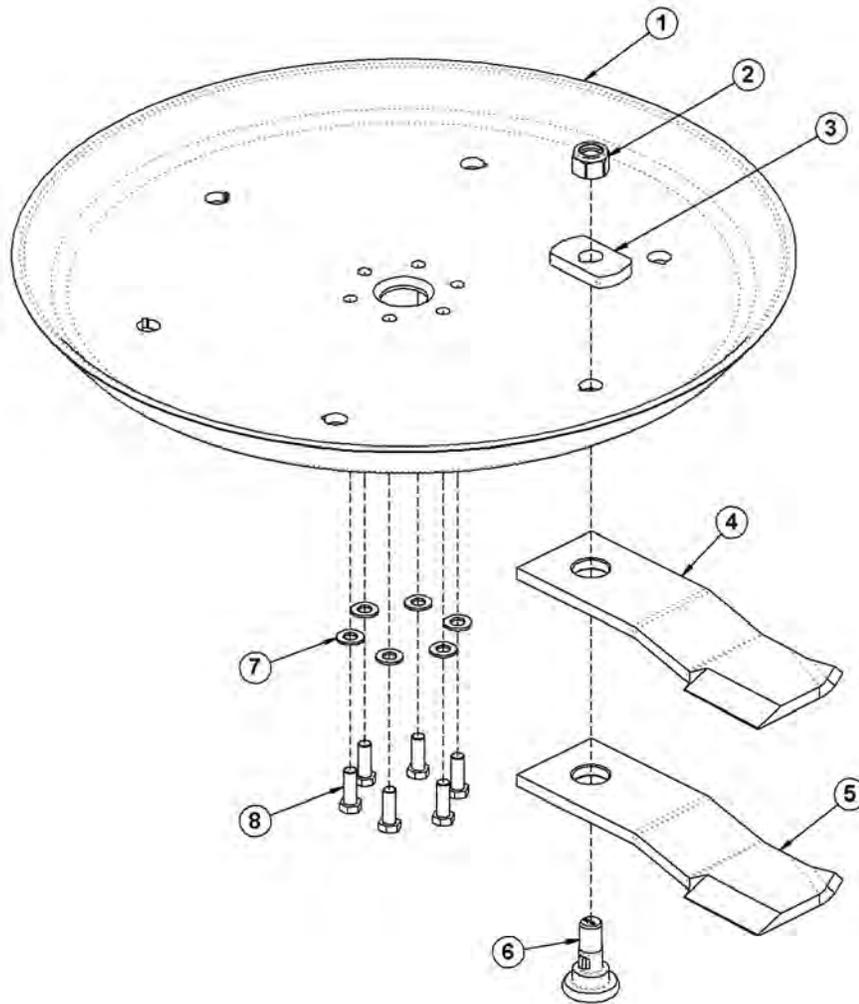
## 60IN ROTARY MOWER ASSEMBLY

**Continued...**

| <b>ITEM</b> | <b>PART NO.</b> | <b>QTY.</b> | <b>DESCRIPTION</b>            |
|-------------|-----------------|-------------|-------------------------------|
| 9           | 6T2270          | 16          | PLOW BOLT,3/8" X 1" NC        |
| 10          | 22016           | 33          | FLATWASHER,3/8"               |
| 11          | 21625           | 20          | HEX NUT,3/8",NC               |
| 12          | 21988           | 11          | LOCKWASHER, 3/8"              |
| 13          | 21633           | 11          | CAPSCREW, 3/8 X 1 3/4,NC      |
| 14          | 6T0823          | 1           | FLAP RETAINER,60" RTRY        |
| 15          | 06520238        | 2           | FLAP,60" RTRY                 |
| 16          | 6T1033          | 1           | COUPLER COVER                 |
| 17          | 6T1029          | 1           | COUPLER CHAIN                 |
| 18          | 21223           | 1           | SPROCKET                      |
| 19          | 21733           | 4           | CAPSCREW, 1/2 X 2,NC          |
| 20          | 33776           | 1           | MOTOR MOUNT,PLATE,RTRY        |
| 21          | 24490           | 1           | HOSE - PRESSURE               |
| ---         | 06500155        | 1           | HOSE-PRESSURE (LRS ONLY)      |
| 22          | TF4852          | 2           | FLANGE KIT - #20              |
| 23          | 6504011         | 1           | MOTOR                         |
| 24          | 24489           | 1           | HOSE - RETURN                 |
| ---         | 06500154        | 1           | HOSE-RETURN (LRS ONLY)        |
| 25          | 21725           | 4           | HEX NUT, 1/2" NC              |
| 26          | 06533004        | 4           | FLATWASHER, 1/2"              |
| 27          | 6T2290          | 4           | CAPSCREW,5/8X2,NF GR 8        |
| 28          | 33764           | 8           | FLATWASHER,5/8",GR 8,SAE      |
| 29          | 21992           | 4           | LOCKWASHER, 5/8               |
| 30          | 6T2408          | 4           | HEX NUT, 5/8, NF              |
| 31          | TF1124          | 1           | SQUARE KEY                    |
| 32          | 33881           | 2           | CAPSCREW,FLG, 3/8 X 3/4,NC    |
| 33          | 33779           | 1           | PLATE,COVER,KNF HOLE          |
| 34          | 06410439        | 1           | COVER                         |
| 35          | 22014           | 2           | FLATWASHER,1/4                |
| 36          | 21530           | 2           | CAPSCREW,1/4 X 1,NC           |
| 37          | 34187           | 1           | HOSE 1/4" X 75"               |
| 38          | 34186           | 1           | HOSE 1/4" X 66"               |
| 39          | RD1032          | 2           | LYNCH PIN                     |
| 40          | 33984           | 2           | PIN,SHIELD                    |
| 41          | 33785           | 1           | 1-1/2" X 8", CYLINDER, WELDED |
| 42          | 6T3017          | 2           | ROLLPIN                       |
| 43          | 06420139        | 1           | HINGE PIN,60" RTRY            |
| 44          | 33772           | 1           | LINK, SHIELD,RTRY             |
| 45          | 21634           | 2           | CAPSCREW, 3/8" X 2, NC        |
| 46          | 33773           | 1           | LINK 2, SHIELD,RTRY           |
| 47          | 06401245        | 2           | SKID SHOE,TRB60               |

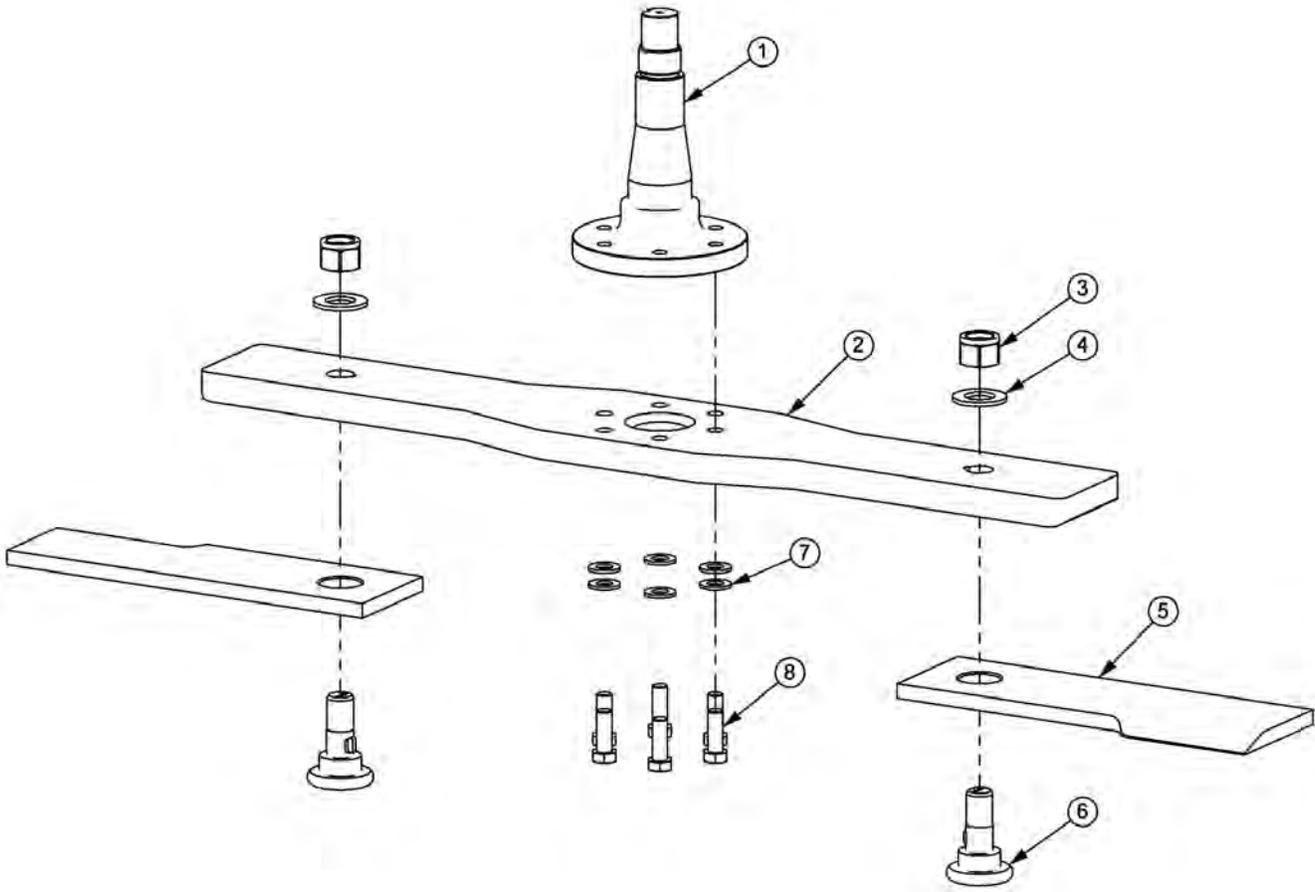
COMMON BENGAL T4

## 60IN ROTARY KNIVES AND DISH



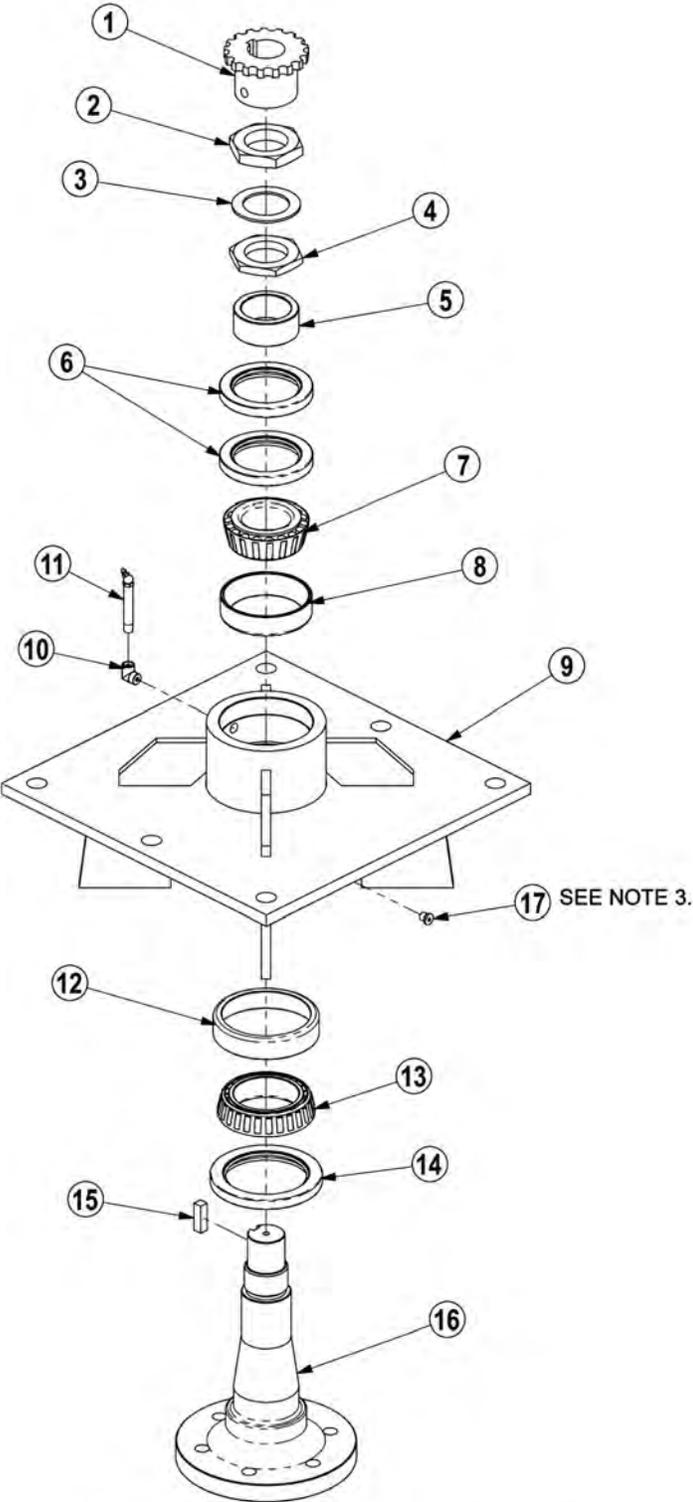
| ITEM | PART NO. | QTY. | DESCRIPTION                         |
|------|----------|------|-------------------------------------|
| 1    | 34876    | 1    | BLADE MOUNTING DISH,60"             |
| 2    | 6T1023R  | 2    | NYLOCK NUT,1-1/8",NF                |
| 3    | 34878    | 2    | SPACER                              |
| 4    | 34684    | 2    | STANDARD GRASS KNIFE                |
| 5    | 34685    | 2    | HIGH SUCTION GRASS KNIFE (OPTIONAL) |
| 6    | 34497    | 2    | KNIFE MOUNTING BOLT                 |
| 7    | 25270    | 6    | FLATWASHER,5/8",GR8,USS             |
| 8    | 6T2259   | 6    | CAPSCREW,5/8" X 1-3/4",NF,GR8       |
| ---  | 6T1825   | 1    | LOCTITE (USED ON ITEM 8)            |
| ---  | 27167    | 1    | BOLT KIT (ITEMS 7 & 8)              |
| ---  | 33893    | 1    | KNIFE KIT (ITEMS 2,4 & 6)           |

## 60IN ROTARY BLADE BAR AND KNIVES



| ITEM | PART NO. | QTY. | DESCRIPTION                      |
|------|----------|------|----------------------------------|
| 1    | PT1018H5 | 1    | SPINDLE                          |
| 2    | 06400690 | 1    | BAR, BLADE, RTRY60               |
| 3    | 6T1023R  | 2    | KNIFE MTG NUT, 1-1/8, NYLOCK, NF |
| 4    | 06533002 | 2    | FLATWASHER, 1-1/8, GR8           |
| 5    | 06521001 | 2    | KNIFE, TRB50, 5/8                |
| 6    | 06538000 | 2    | KNIFE MTG BOLT, 5/8 SHOULDER     |
| 7    | 33764    | 6    | FLATWASHER, 5/8, GR 8, SAE       |
| 8    | 6T2259   | 6    | CAPSCREW, 5/8 X 1-3/4, NF, GR8   |

# ROTARY MOWER SPINDLE ASSEMBLY



- NOTES:
1. FREEPLAY: .001" - .003"
  2. GREASE: FILL WITH MOBILITH SHC 220.
  3. APPLY LOCTITE "271" TO O-RING PLUG THRDS.

## ROTARY MOWER SPINDLE ASSEMBLY

Continued...

| ITEM  | PART NO. | QTY. | DESCRIPTION                                            |
|-------|----------|------|--------------------------------------------------------|
| ----- | 6T1024H5 | -    | SPINDLE ASSEMBLY COMPLETE                              |
| 1     | 6T1031   | 1    | SPROCKET                                               |
| 2     | 6T1016   | 1    | BEARING LOCK NUT - THICK                               |
| 3     | 22596    | 1    | JAM WASHER                                             |
| 4     | 6T1015   | 1    | BEARING ADJUSTMENT NUT - THIN                          |
| 5     | 6T1014   | 1    | BEARING ADJUSTMENT SLEEVE                              |
| 6     | 6T1011   | 1    | UPPER SEAL - SET OF 2                                  |
| 7     | 6T1012   | 1    | BEARING CONE                                           |
| 8     | 6T1013   | 1    | BEARING CUP                                            |
| 9     | 6T1010H  | 1    | SPINDLE HOUSING                                        |
| 10    | 30570    | 1    | FITTING STREET ELBOW                                   |
| 11    | 33990    | 1    | GREASE ZERK                                            |
| 12    | 6T1013H  | 1    | BEARING CUP                                            |
| 13    | 6T1012H  | 1    | BEARING CONE                                           |
| 14    | 6T1011H  | 1    | LOWER SEAL                                             |
| 15    | 6T1019   | 1    | SPINDLE KEY                                            |
| 16    | PT1018H5 | 1    | SPINDLE                                                |
| 17    | 06503064 | 1    | O-RING PLUG, 1/8"                                      |
| ----- | 31771    | -    | SPINDLE REBUILD KIT (INCLUDES ITEMS 2 - 8 AND 12 - 15) |

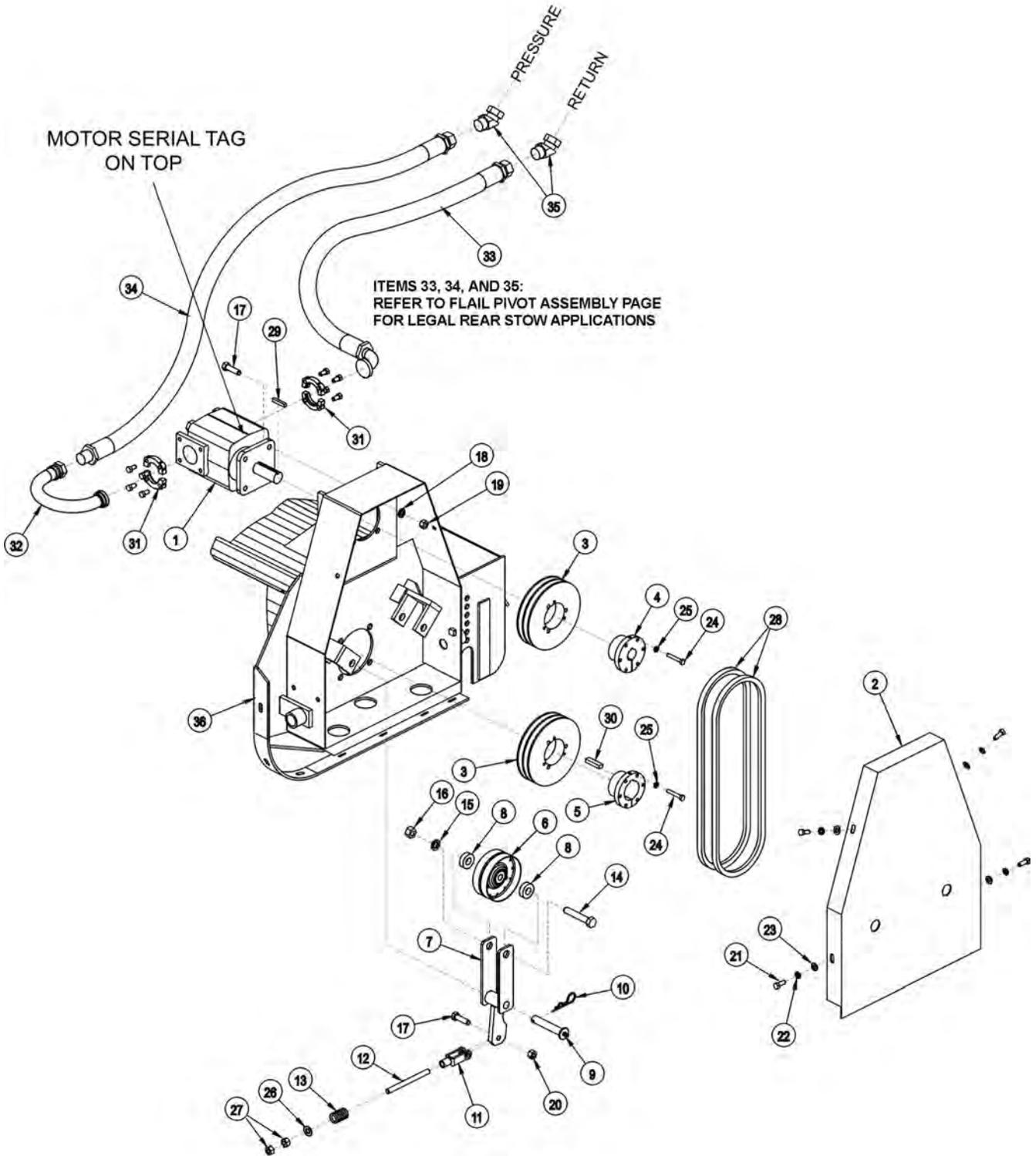


## BOOM ROTARY PIVOT ASSEMBLY

Continued...

| ITEM | PART NO. | QTY. | DESCRIPTION                             |
|------|----------|------|-----------------------------------------|
| 1    | TB1032   | 1    | ROTARY PIVOT ASSY                       |
| 2    | TB1028   | 1    | PIVOT ARM ASSY                          |
| 3    | TB1033   | 1    | PIN,CLEVIS                              |
| 4    | 06537021 | 2    | ROLL PIN                                |
| 5    | TF3097   | 1    | PIN                                     |
| 6    | TB1030   | 1    | PIN                                     |
| 7    | 33985    | 1    | PIN                                     |
| 8    | 33986    | 1    | PIN                                     |
| 9    | 21688    | 1    | CAPSCREW,7/16 X 3-1/4,NC                |
| 10   | 21677    | 1    | NYLOCK NUT,7/16 NC                      |
| 11   | 21635    | 3    | CAPSCREW,3/8 X 2-1/4                    |
| 12   | 6T3207   | 3    | GREASE ZERK                             |
| 13   | 21627    | 3    | NYLOCK NUT,3/8,NC                       |
| 14   | TB3010   | 3    | BUSHING                                 |
| 15   | -----    | -    | SECONDARY BOOM *REFER TO BOOM ARM ASSY  |
| 16   | -----    | -    | CYLINDER *REFER TO BOOM ARM ASSY        |
| 17   | -----    | -    | ROTARY MOWER HEAD *REFER TO ROTARY DECK |

# 50IN FLAIL DRIVE ASSEMBLY



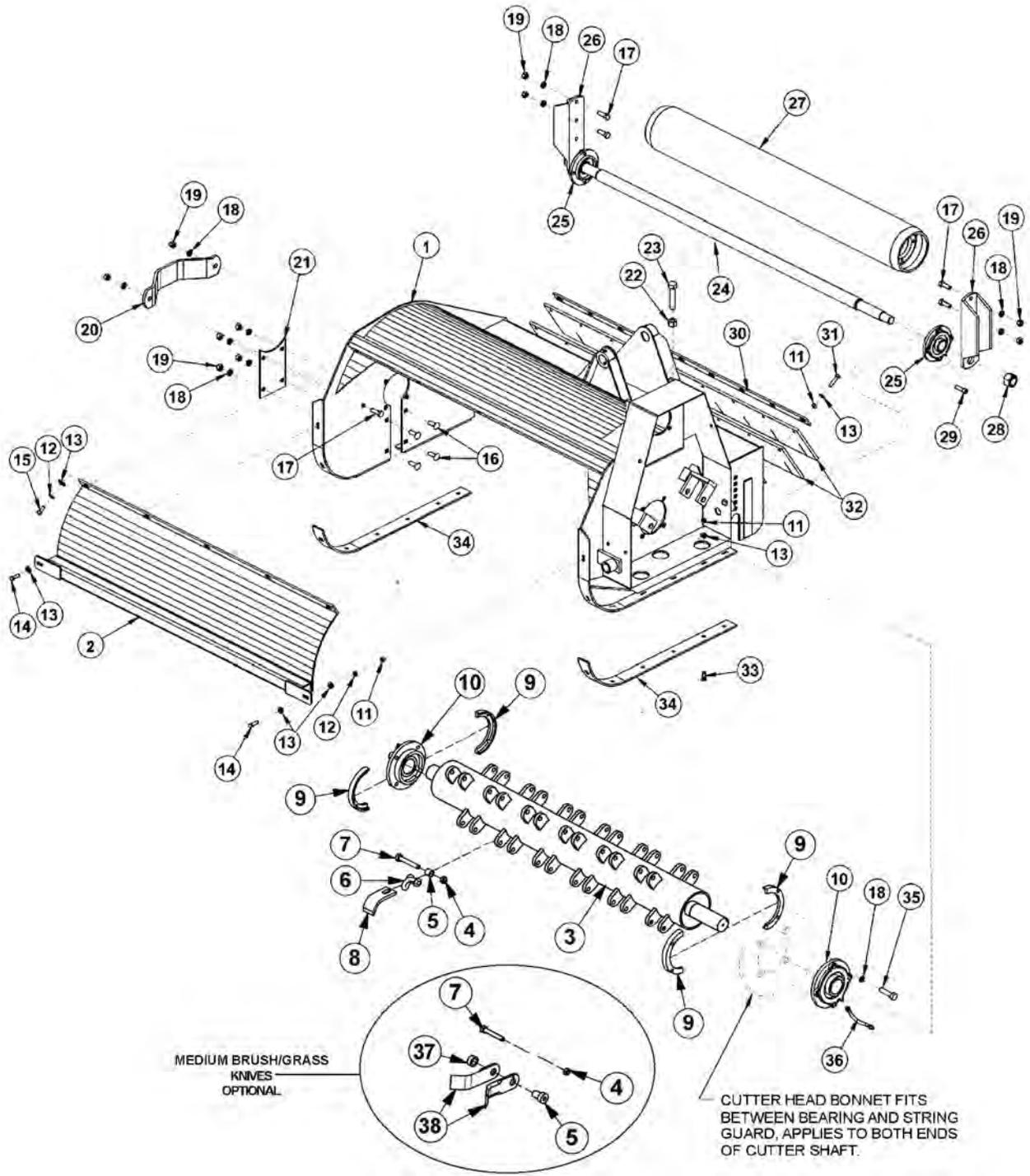


## 50IN FLAIL DRIVE ASSEMBLY

Continued...

| ITEM | PART NO. | QTY. | DESCRIPTION                            |
|------|----------|------|----------------------------------------|
| 1    | 06504132 | 1    | MOTOR (M350-1 3/4" GEAR)               |
| 2    | TF3006   | 1    | BELT GUARD                             |
| 3    | TF3043   | 2    | SHEAVE                                 |
| 4    | TF3013   | 1    | BUSHING                                |
| 5    | TF3011   | 1    | BUSHING                                |
| 6    | TF3034   | 1    | IDLER PULLEY                           |
| 7    | TF3205   | 1    | IDLER ARM                              |
| 8    | TF3206   | 2    | IDLER PULLEY SPACER                    |
| 9    | TF3605   | 1    | IDLER ARM PIN WITH ZERK                |
| 10   | 6T3004   | 1    | R - CLIP                               |
| 11   | PT3611A  | 1    | CLEVIS                                 |
| 12   | 32481    | 1    | THREADED ROD                           |
| 13   | TF3620   | 1    | COMPRESSION SPRING                     |
| 14   | 21789    | 1    | CAPSCREW 5/8" X 3 1/2"                 |
| 15   | 21992    | 1    | LOCKWASHER 5/8"                        |
| 16   | 21775    | 1    | HEX NUT 5/8"                           |
| 17   | 21732    | 5    | CAPSCREW 1/2" X 1 3/4"                 |
| 18   | 21990    | 4    | LOCKWASHER 1/2"                        |
| 19   | 21725    | 4    | HEX NUT 1/2"                           |
| 20   | 6T2418   | 1    | LOCK NUT 1/2"                          |
| 21   | 21630    | 4    | CAPSCREW 3/8" X 1"                     |
| 22   | 21988    | 4    | LOCKWASHER 3/8"                        |
| 23   | 22016    | 4    | FLATWASHER 3/8"                        |
| 24   | 21584    | 6    | CAPSCREW 5/16" X 2"                    |
| 25   | 21987    | 6    | LOCKWASHER 5/16"                       |
| 26   | 27938    | 1    | FLATWASHER 1/2"                        |
| 27   | 21700    | 2    | HEX NUT 1/2" NF                        |
| 28   | TF3021   | 2    | BELT                                   |
| 29   | TF1125   | 1    | SQUARE KEY                             |
| 30   | TF1025   | 1    | SQUARE KEY MOTOR                       |
| 31   | TF4852   | 2    | FLANGE KIT                             |
| 32   | 34227    | 1    | PREFORMED TUBE                         |
| 33   | 31218    | 1    | HOSE - RETURN                          |
| 34   | 34331    | 1    | HOSE - PRESSURE                        |
| 35   | 24724    | 2    | SWIVEL FITTING                         |
| 36   | -----    | -    | CUTTER HEAD *REFER TO CUTTER HEAD ASSY |

# 50IN FLAIL MOWER ASSEMBLY



| ITEM | PART NO. | QTY. | DESCRIPTION                                           |
|------|----------|------|-------------------------------------------------------|
| ---  | 34787    | 1    | FLAIL,BOOM,50,BRUSH,CPLT ASSY (LIGHT BRUSH/GRASS)     |
|      | 06742133 | 1    | FLAIL,BOOM,50,MD GRASS,CPLT ASSY (MEDIUM BRUSH/GRASS) |
| 1    | TF3003F  | 1    | CUTTER HEAD BONNET                                    |
| 2    | TF3004   | 1    | FRONT SHIELD                                          |

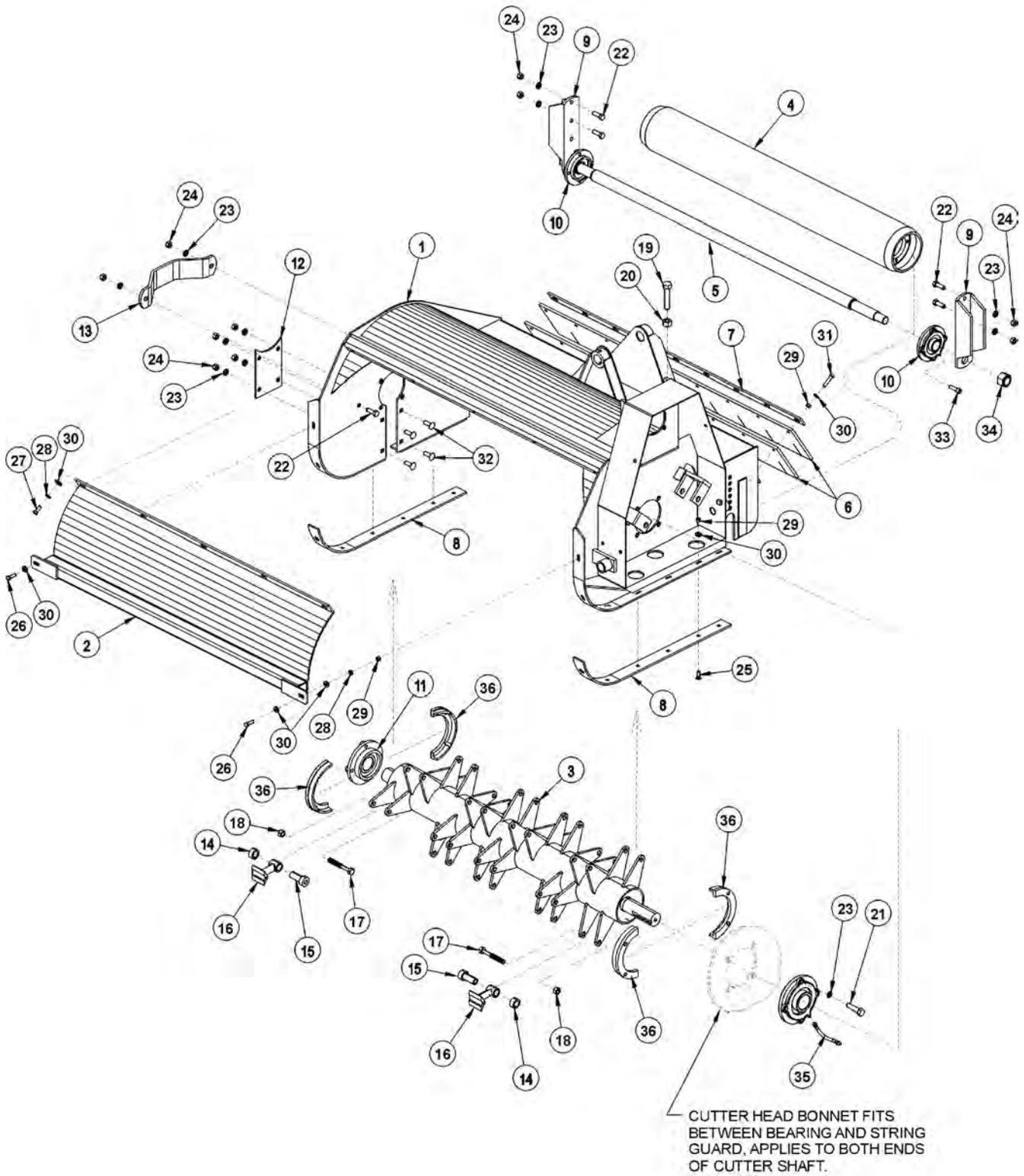
## 50IN FLAIL MOWER ASSEMBLY

Continued...

| ITEM | PART NO. | QTY. | DESCRIPTION                           |
|------|----------|------|---------------------------------------|
| 3    | 34783    | 1    | TBF50 (LIGHT BRUSH/GRASS KNIFE ASSY)  |
| ---- | 06700115 | 1    | TBF50 (MEDIUM BRUSH/GRASS KNIFE ASSY) |
| 4    | 6T2419   | 24   | HEX NUT,9/16",NC,STOVER               |
| 5    | 06420182 | 24   | BUSHING                               |
| 6    | 34782    | 24   | CLEVIS (LIGHT BRUSH/GRASS KNIVES)     |
| 7    | 34786    | 24   | CAPSCREW,9/16" X 3-1/2",NC            |
| 8    | 34780    | 24   | KNIFE (LIGHT BRUSH/GRASS CUTTING)     |
| 9    | 31204    | 2    | STRING GUARD SET (2 PIECES PER SET)   |
| 10   | TF1018   | 2    | FLANGE BEARING,2-3/16"                |
| 11   | 21625    | 23   | HEX NUT,3/8",NC                       |
| 12   | 21988    | 7    | LOCKWASHER,3/8"                       |
| 13   | 22016    | 30   | FLATWASHER,3/8"                       |
| 14   | 21631    | 2    | CAPSCREW,3/8" X 1-1/4",NC             |
| 15   | 21630    | 5    | CAPSCREW,3/8" X 1",NC                 |
| 16   | 6T7031D  | 4    | PLOW BOLT,1/2" X 1-1/2",NC            |
| 17   | 21731    | 6    | CAPSCREW,1/2" X 1-1/2",NC             |
| 18   | 21990    | 18   | LOCKWASHER,1/2"                       |
| 19   | 21725    | 10   | HEX NUT,1/2",NC                       |
| 20   | TF1040   | 1    | CUTTER SHAFT GUARD                    |
| 21   | TF3007A  | 1    | COVER PLATE                           |
| 22   | 21825    | 1    | HEX NUT,5/8",NC                       |
| 23   | 21838    | 1    | CAPSCREW,3/4" X 3-1/2",NC             |
| 24   | TF3406   | 1    | GROUND ROLLER TIE ROD                 |
| 25   | TF1022   | 2    | FLANGE BEARING,1-3/8"                 |
| 26   | TF3407   | 2    | GROUND ROLLER ADJUSTMENT BRACKET      |
| 27   | TF3405   | 1    | GROUND ROLLER                         |
| 28   | 6T1023R  | 2    | NYLOCK NUT,1-1/8",NF                  |
| 29   | 6T2330   | 8    | CAPSCREW,7/16" X 1-1/2",SOCKET HEAD   |
| 30   | TB1008   | 1    | FLAP RETAINING BAR                    |
| 31   | 21633    | 9    | CAPSCREW,3/8" X 1-3/4",NC             |
| 32   | TB1006A  | 2    | DEFLECTOR FLAP                        |
| 33   | 6T2270   | 12   | PLOWBOLT,3/8" X 1",NC                 |
| 34   | TF3001   | 2    | SKID SHOE                             |
| 35   | 06530218 | 8    | CAPSCREW,1/2" X 1-3/4",NC             |
| 36   | TF1032   | 1    | FLANGE BEARING GREASE HOSE            |
| 37   | 06420183 | 24   | SPACER (MEDIUM BRUSHGRASS KNIVES)     |
| 38   | 06521007 | 48   | KNIFE (MEDIUM BRUSH/GRASS CUTTING)    |

COMMON BENGAL T4

# 50IN FLAIL MOWER ASSY, PASS-THROUGH KNIVES

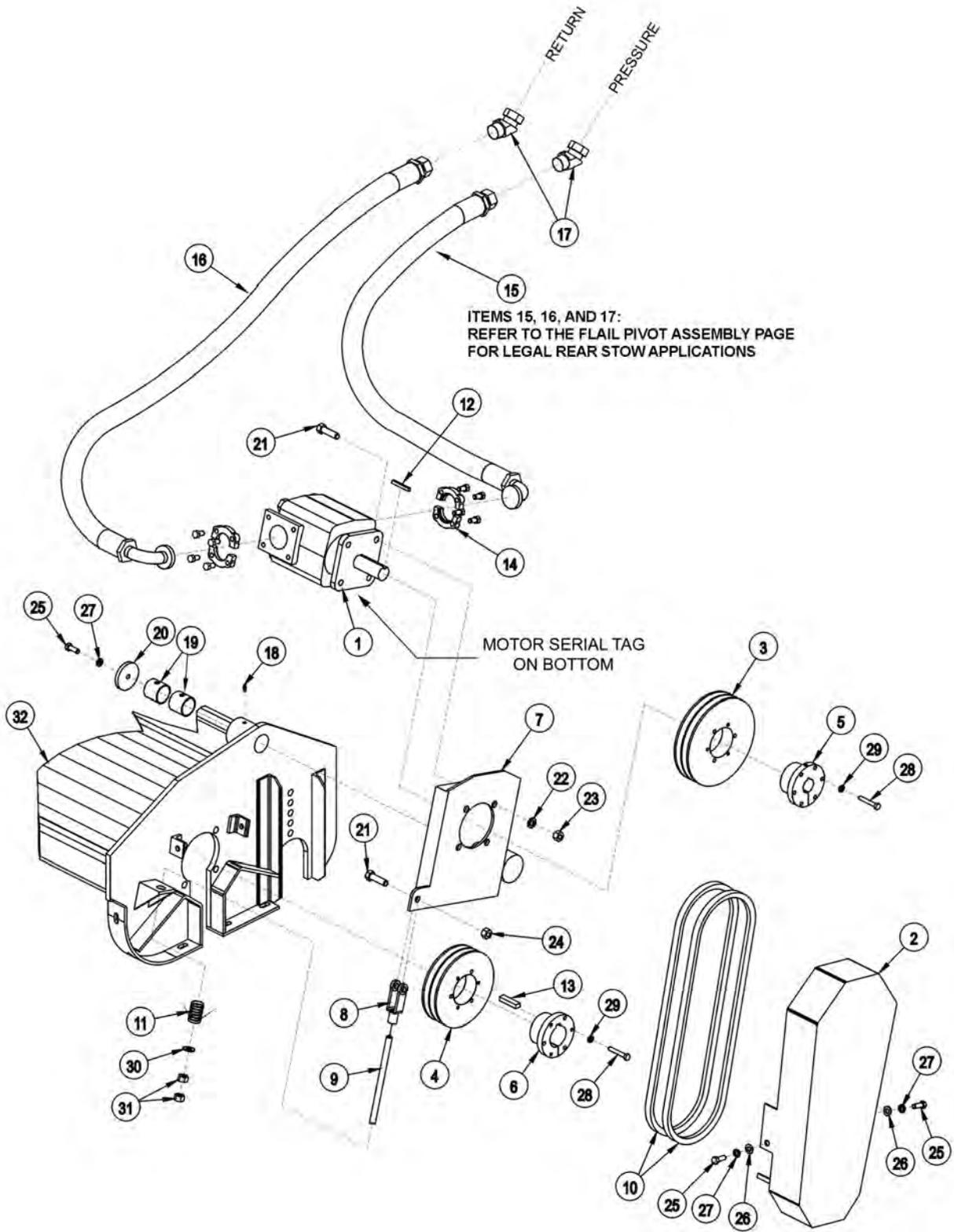


## 50IN FLAIL MOWER ASSY, PASS-THROUGH KNIVES

Continued...

| ITEM | PART NO. | QTY. | DESCRIPTION                         |
|------|----------|------|-------------------------------------|
| ---  | 34172    | 1    | FLAIL,BOOM,50,CPLT ASSY             |
| 1    | TF3003F  | 1    | CUTTER HEAD BONNET                  |
| 2    | TF3004   | 1    | FRONT SHIELD                        |
| 3    | 33717    | 1    | TBF50,CUTTERSHAFT,PASS THRU KNIVES  |
| 4    | TF3405   | 1    | GROUND ROLLER                       |
| 5    | TF3406   | 1    | GROUND ROLLER TIE ROD               |
| 6    | TB1006A  | 2    | DEFLECTOR FLAP                      |
| 7    | TB1008   | 1    | FLAP RETAINING BAR                  |
| 8    | TF3001   | 2    | SKID SHOE                           |
| 9    | TF3407   | 2    | GROUND ROLLER ADJUSTMENT BRACKET    |
| 10   | TF1022   | 2    | FLANGE BEARING,1-3/8"               |
| 11   | TF1018   | 2    | FLANGE BEARING,2-3/16"              |
| 12   | TF3007A  | 1    | COVER PLATE                         |
| 13   | TF1040   | 1    | CUTTER SHAFT GUARD                  |
| 14   | 33858    | 24   | SPACER,COLLAR                       |
| 15   | 33857    | 24   | SHOULDER,BUSHING                    |
| 16   | 46399.01 | 24   | KNIFE,FLAIL,FORGED                  |
| 17   | 33854    | 24   | CAPSCREW,5/8" X 4-1/2",NC           |
| 18   | 32674    | 24   | HEX NUT,5/8",NC                     |
| 19   | 21838    | 1    | CAPSCREW,3/4" X 3-1/2",NC           |
| 20   | 21825    | 1    | HEX NUT,5/8",NC                     |
| 21   | 21732    | 8    | CAPSCREW,1/2" X 1-3/4",NC           |
| 22   | 21731    | 6    | CAPSCREW,1/2" X 1-1/2",NC           |
| 23   | 21990    | 18   | LOCKWASHER,1/2"                     |
| 24   | 21725    | 10   | HEX NUT,1/2",NC                     |
| 25   | 6T2270   | 12   | PLOWBOLT,3/8" X 1",NC               |
| 26   | 21631    | 2    | CAPSCREW,3/8" X 1-1/4",NC           |
| 27   | 21630    | 5    | CAPSCREW,3/8" X 1",NC               |
| 28   | 21988    | 7    | LOCKWASHER,3/8"                     |
| 29   | 21625    | 23   | HEX NUT,3/8",NC                     |
| 30   | 22016    | 30   | FLATWASHER,3/8"                     |
| 31   | 21633    | 9    | CAPSCREW,3/8" X 1-3/4",NC           |
| 32   | 6T7031D  | 4    | PLOW BOLT,1/2" X 1-1/2",NC          |
| 33   | 6T2330   | 8    | CAPSCREW,7/16" X 1-1/2",NC,SCKT HD  |
| 34   | 6T1023R  | 2    | NYLOCK NUT,1-1/8",NF                |
| 35   | TF1032   | 1    | FLANGE BEARING GREASE HOSE          |
| 36   | 31204    | 2    | STRING GUARD SET (2 PIECES PER SET) |

# 63IN FLAIL DRIVE ASSEMBLY

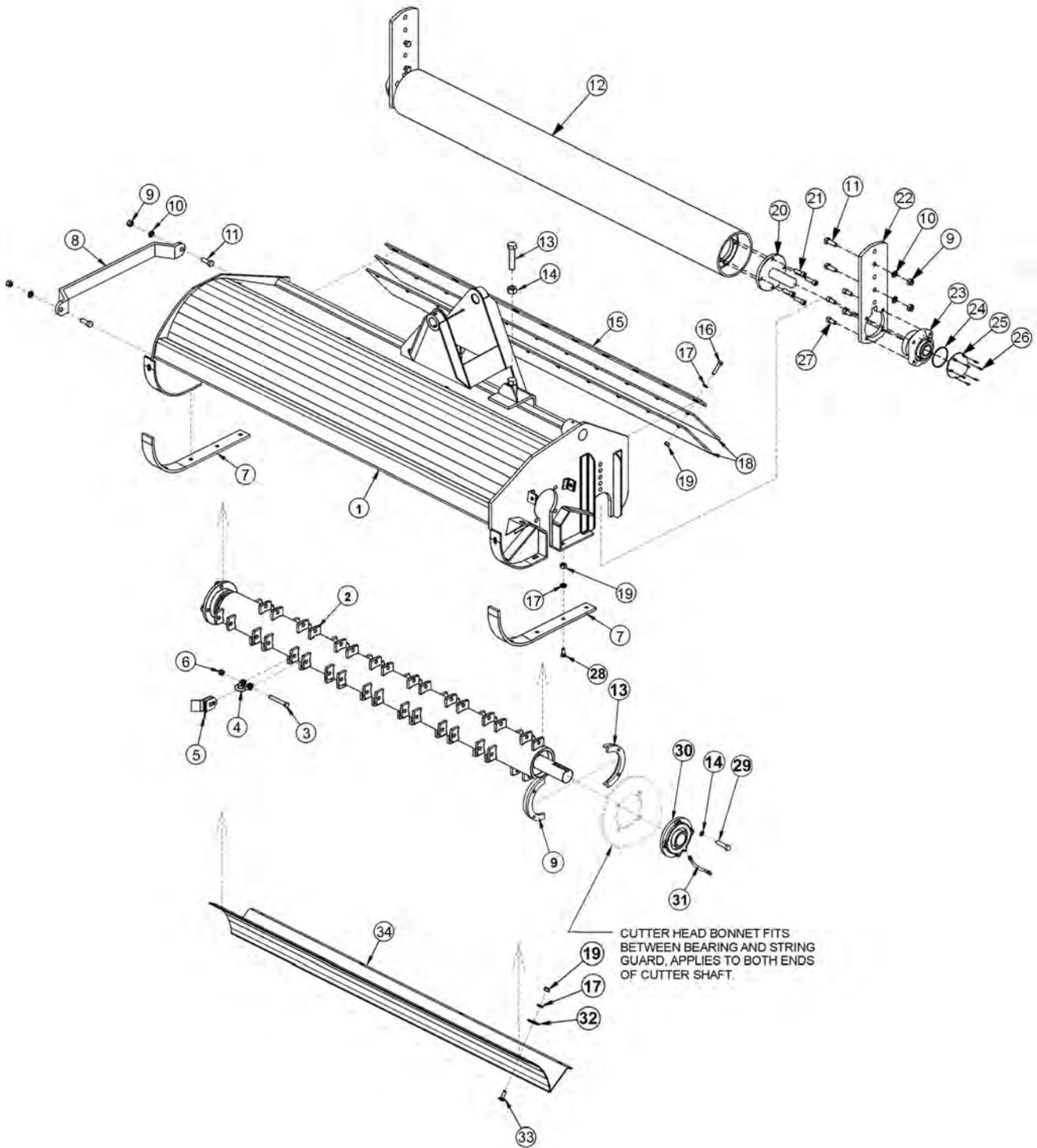


## 63IN FLAIL DRIVE ASSEMBLY

Continued...

| ITEM | PART NO. | QTY. | DESCRIPTION                      |
|------|----------|------|----------------------------------|
| 1    | 06504132 | 1    | MOTOR (M350-1 3/4 GEAR)          |
| 2    | 32569    | 1    | BELT GUARD                       |
| 3    | TF3044   | 1    | UPPER SHEAVE                     |
| 4    | TF3040   | 1    | LOWER SHEAVE                     |
| 5    | TF3013   | 1    | BUSHING                          |
| 6    | 28723    | 1    | BUSHING                          |
| 7    | 28679B   | 1    | MOTOR CHANNEL                    |
| 8    | PT3611A  | 1    | CLEVIS                           |
| 9    | 40496    | 1    | THREADED ROD                     |
| 10   | 28702    | 2    | BELT                             |
| 11   | TF3620A  | 1    | TENSIONER SPRING                 |
| 12   | 28572    | 1    | SQUARE KEY                       |
| 13   | 26142A   | 1    | SQUARE KEY                       |
| 14   | TF4852   | 2    | FLANGE KIT                       |
| 15   | 30308    | 1    | HOSE,1 X 69 - PRESSURE           |
| 16   | 30309    | 1    | HOSE,1 X 78 - RETURN             |
| 17   | 24724    | 2    | SWIVEL FITTING                   |
| 18   | TF1033   | 1    | GREASE ZERK                      |
| 19   | 27580    | 2    | BUSHING                          |
| 20   | 28682    | 1    | MOTOR CHANNEL WASHER             |
| 21   | 21732    | 5    | CAPSCREW 1/2" X 1 3/4"           |
| 22   | 21990    | 4    | LOCKWASHER 1/2"                  |
| 23   | 21725    | 4    | HEX NUT 1/2"                     |
| 24   | 6T2418   | 1    | STOVER NUT 1/2"                  |
| 25   | 21630    | 3    | CAPSCREW 3/8" X 1"               |
| 26   | 22016    | 2    | FLATWASHER 3/8"                  |
| 27   | 21988    | 3    | LOCKWASHER 3/8"                  |
| 28   | 21584    | 6    | CAPSCREW 5/16" X 2"              |
| 29   | 21987    | 6    | LOCKWASHER 5/16"                 |
| 30   | 27938    | 1    | FLATWASHER 1/2"                  |
| 31   | 21700    | 2    | HEX NUT 1/2" NF                  |
| 32   | -----    | -    | CUTTER HEAD *REFER TO MOWER ASSY |

# 63IN FLAIL MOWER ASSEMBLY





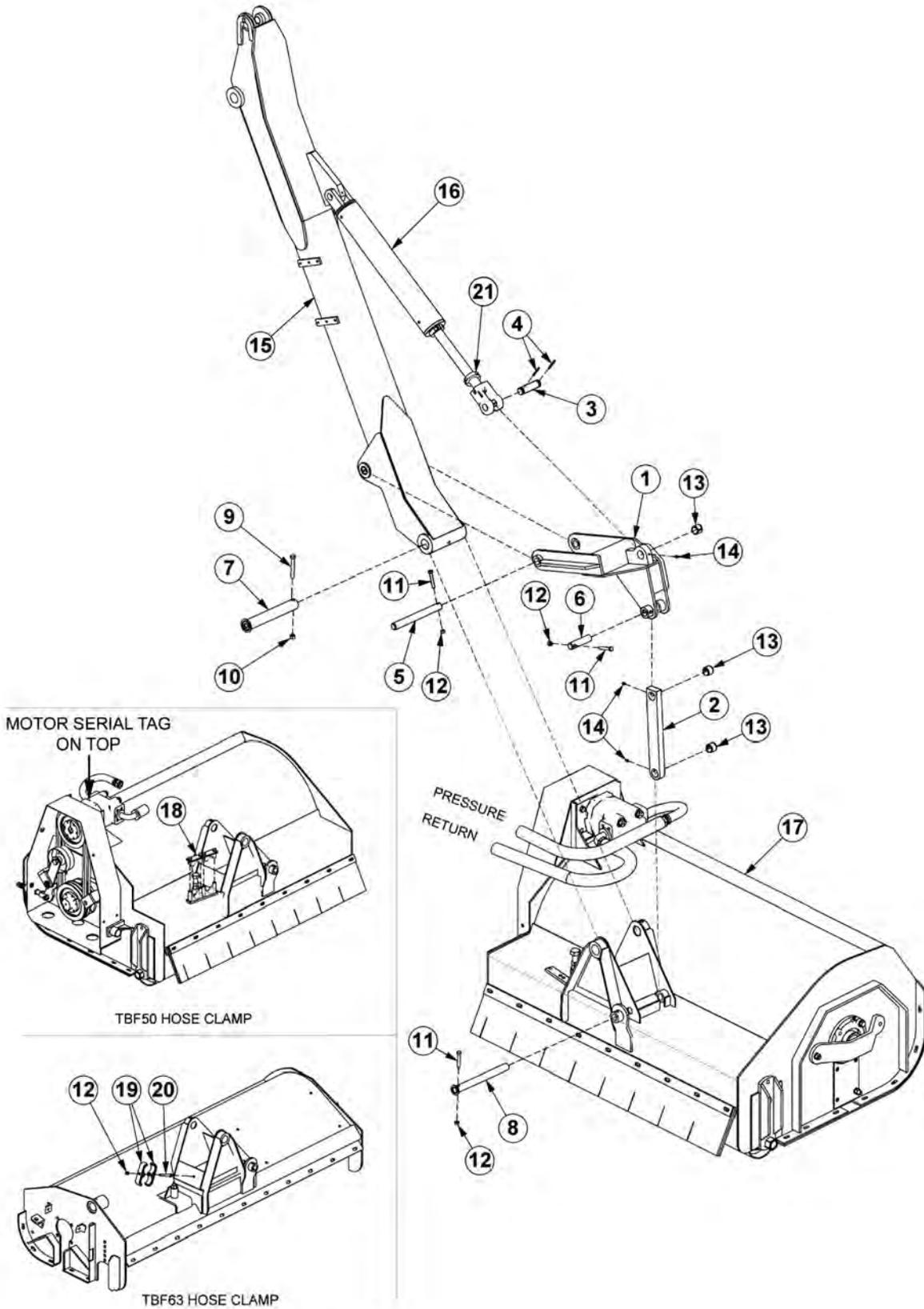
## 63IN FLAIL MOWER ASSEMBLY

Continued...

| ITEM  | PART NO. | QTY. | DESCRIPTION                               |
|-------|----------|------|-------------------------------------------|
| ----- | 06200271 | -    | FLAIL,BOOM,63,GRASS,CPLT ASSY             |
| 1     | 28659H   | 1    | CUTTER HEAD BONNET                        |
| 2     | 28743    | -    | CUTTER SHAFT / KNIFE ASSY STANDARD GRASS  |
| ----- | 28642C   | 1    | CUTTER SHAFT,63,STD                       |
| 3     | 34011    | 36   | FLAIL KNIFE MOUNTING BOLT                 |
| 4     | TF1020   | 36   | FLAIL KNIFE MOUNTING CLEVIS               |
| 5     | 33713    | 72   | FLAIL KNIFE - STANDARD                    |
| 6     | 21677    | 36   | NYLOCK NUT                                |
| 7     | 28086A   | 2    | SKID SHOE                                 |
| 8     | 27975A   | 1    | CUTTER SHAFT GUARD                        |
| 9     | 21725    | 14   | HEX NUT 1/2"                              |
| 10    | 21990    | 14   | LOCKWASHER 1/2"                           |
| 11    | 21731    | 6    | CAPSCREW 1/2" X 1 1/2"                    |
| 12    | 06320240 | 1    | GROUND ROLLER                             |
| 13    | 33863    | 2    | STRING GUARD,STD                          |
| 14    | 06533006 | 8    | FLATWASHER,1/2",SAE,L9                    |
| 15    | 28700    | 1    | FLAP RETAINING BAR                        |
| 16    | 21633    | 11   | CAPSCREW 3/8" X 1 3/4"                    |
| 17    | 21988    | 28   | LOCKWASHER 3/8"                           |
| 18    | 28701    | 2    | DEFLECTOR FLAP                            |
| 19    | 21625    | 28   | HEX NUT 3/8"                              |
| 20    | TF1045B  | 2    | GROUND ROLLER STUB SHAFT                  |
| 21    | 6T2330   | 8    | CAPSCREW 7/16" X 1 1/2" SOCKET HEAD       |
| 22    | 28735    | 2    | ADJUSTABLE ROLLER BRACKET                 |
| 23    | 06520028 | 2    | BEARING,FLANGE,1-3/8,GRNDRLLR             |
| 24    | 06520029 | 2    | O-RING                                    |
| 25    | 06520027 | 2    | CAP,BEARING,GROUNDROLLER                  |
| 26    | 06530001 | 12   | CAPSCREW,SKT HD,8-32 X 1/2,SS             |
| 27    | 6T2331   | 8    | CAPSCREW 7/16" X 1" SOCKET HEAD           |
| 28    | 6T2270   | 10   | PLOW BOLT 3/8" X 1 1/4"                   |
| 29    | 06530217 | 8    | CAPSCREW 1/2" X 2",L9                     |
| 30    | 28683    | 2    | FLANGE BEARING                            |
| 31    | TF1032   | 1    | FLANGE BEARING GREASE HOSE                |
| 32    | 6T2615   | 7    | FENDER WASHER 3/8"                        |
| 33    | 6T2283   | 7    | CARRIAGE BOLT 3/8" X 1"                   |
| 34    | 28665A   | 1    | BAFFLE (INSIDE UPPER REAR OF CUTTER HEAD) |

COMMON BENGAL T4

# BOOM FLAIL PIVOT ASSEMBLY

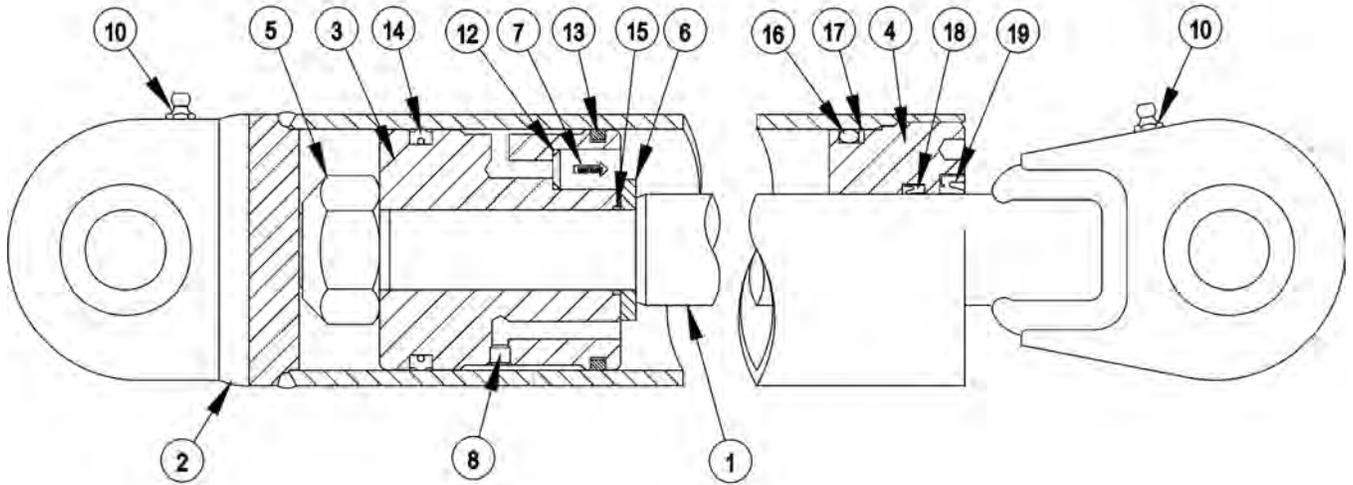


## BOOM FLAIL PIVOT ASSEMBLY

Continued...

| ITEM | PART NO. | QTY. | DESCRIPTION                               |
|------|----------|------|-------------------------------------------|
| 1    | TF3015   | 1    | FLAIL PIVOT ASSY                          |
| 2    | TB1028   | 1    | PIVOT ARM ASSY                            |
| 3    | TB1033   | 1    | PIN CLEVIS                                |
| 4    | 06537021 | 2    | ROLL PIN                                  |
| 5    | TF3097   | 1    | PIN                                       |
| 6    | TF3090   | 1    | PIN                                       |
| 7    | TB1024   | 1    | PIN                                       |
| 8    | TB1027   | 1    | PIN                                       |
| 9    | 21688    | 1    | CAPSCREW 7/16" X 3 1/4"                   |
| 10   | 21677    | 1    | NYLOCK NUT 7/16"                          |
| 11   | 21635    | 3    | CAPSCREW 3/8" X 2 1/4"                    |
| 12   | 21627    | 4    | NYLOCK NUT 3/8"                           |
| 13   | TB5030   | 3    | BUSHING                                   |
| 14   | 6T3207   | 3    | GREASE ZERK                               |
| 15   | -----    | -    | SECONDARY BOOM *REFER TO BOOM ARM ASSY    |
| 16   | -----    | -    | CYLINDER - REFER TO BOOM ARM ASSY         |
| 17   | -----    | -    | FLAIL MOWER HEAD *REFER TO FLAIL ASSY     |
| 18   | 31723    | 1    | CLAMP KIT,TBF50 (USED ON 50" FLAIL)       |
| 19   | TB3031   | 2    | DOUBLE HOSE CLAMP (USED ON THE 63" FLAIL) |
| 20   | 21638    | 1    | CAPSCREW 3/8" X 3"                        |
| 21   | 35312    | 2    | SPLIT COLLAR                              |

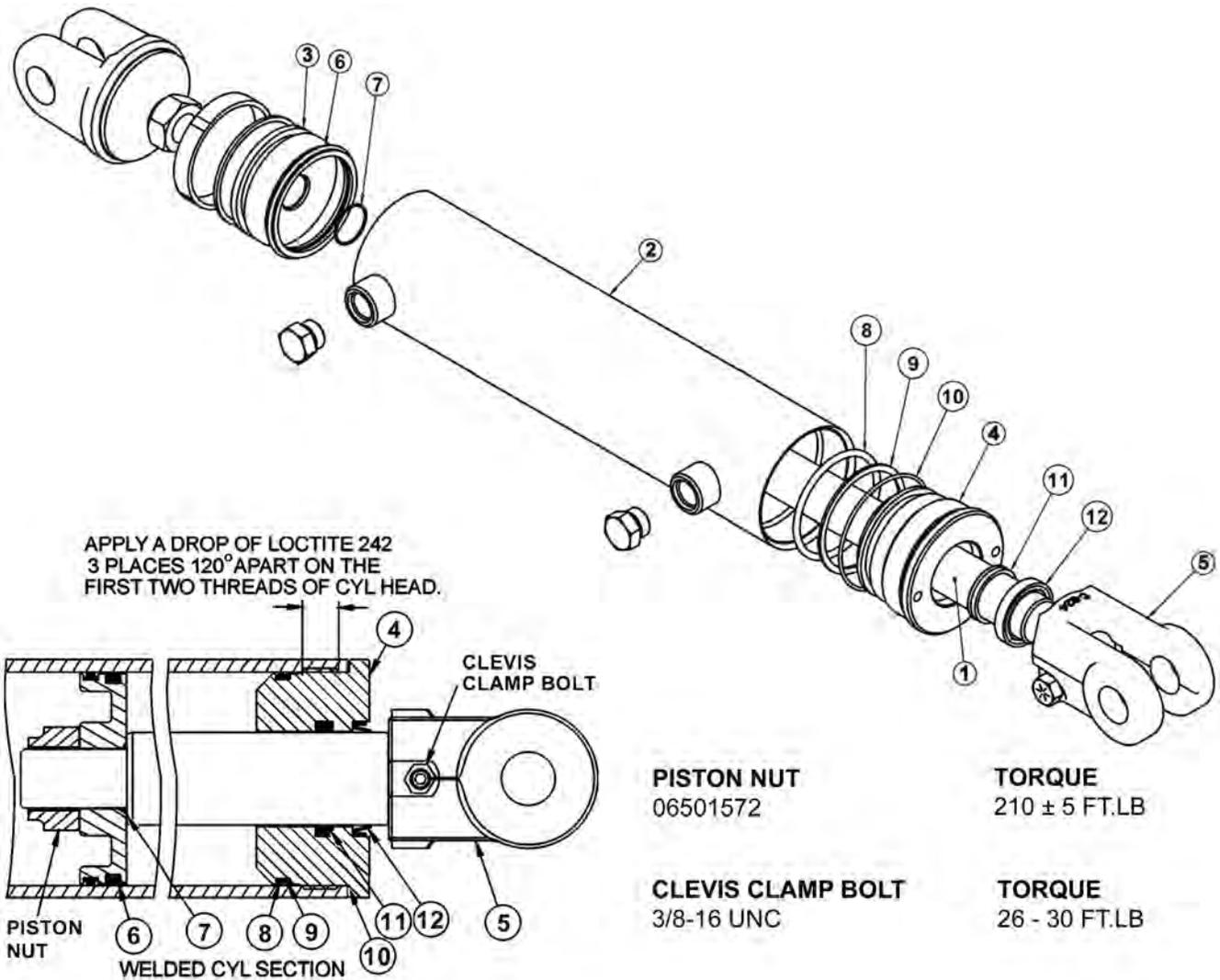
## 3IN X 13-7/8 IN WELDED CYLINDER BREAKDOWN



**WARNING** - MECHANICAL FASTENERS MUST BE TORQUED TO RECOMMENDED SPECIFICATIONS DURING REPAIR TO PREVENT PERSONAL INJURY OR EQUIPMENT DAMAGE.

| ITEM | PART NO. | QTY. | DESCRIPTION                               |
|------|----------|------|-------------------------------------------|
| ---  | 06501029 | -    | CYLINDER,WELDED,3" X 13.87"               |
| 1    | 06501630 | 1    | PISTON ROD ASSY                           |
| 2    | 06501648 | 1    | BUTT & TUBE ASSY                          |
| 3    | 06501649 | 1    | PISTON                                    |
| 4    | 34574    | 1    | GLAND                                     |
| 5    | 34575    | 1    | LOCK NUT,1"-14 UNS (TORQUE TO 315 FT.LB.) |
| 6    | 34576    | 1    | SPACER                                    |
| 7    | 34577    | 1    | CHECK VALVE,KEPNER                        |
| 8    | 06501650 | 1    | ORIFICE, ZERO LEAK, 0225                  |
| 9    | 33761    | 1    | SEAL KIT,PACKING (ITEMS 12 THRU 19)       |
| 10   | -----    | 2    | GREASE ZERK                               |
| 12   | -----    | 1    | O - RING                                  |
| 13   | -----    | 1    | CAST IRON PISTON RING                     |
| 14   | -----    | 1    | CROWN SEAL                                |
| 15   | -----    | 1    | O - RING                                  |
| 16   | -----    | 1    | O - RING                                  |
| 17   | -----    | 1    | BACK - UP WASHER                          |
| 18   | -----    | 1    | U - CUP                                   |
| 19   | -----    | 1    | WIPER                                     |
| 20   | 34334    | -    | SPHERICAL BEARING (NOT SHOWN)             |

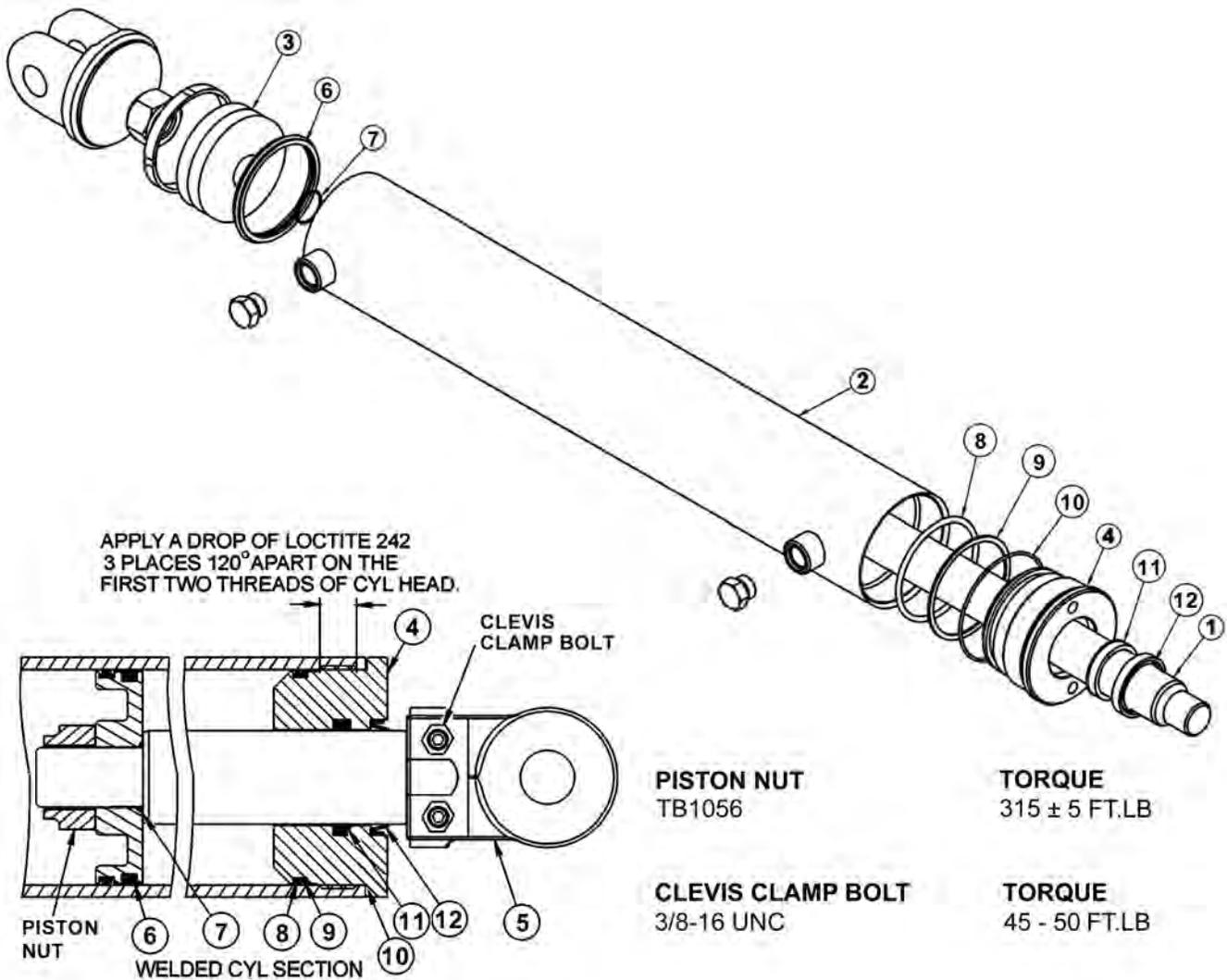
## 3IN X 18IN WELDED CYLINDER BREAKDOWN



**WARNING - MECHANICAL FASTENERS MUST BE TORQUED TO RECOMMENDED SPECIFICATIONS DURING REPAIR TO PREVENT PERSONAL INJURY OR EQUIPMENT DAMAGE.**

| ITEM  | PART NO. | QTY. | DESCRIPTION                          |
|-------|----------|------|--------------------------------------|
| ----- | 06501023 | -    | HYDRAULIC CYLINDER COMPLETE          |
| 1     | 06501561 | 1    | ROD                                  |
| 2     | 06501562 | 1    | TUBE WELDMENT                        |
| 3     | 06501552 | 1    | PISTON                               |
| 4     | 06501563 | 1    | CYLINDER HEAD                        |
| 5     | 06501554 | 1    | CLEVIS                               |
| ----- | 06501564 | -    | SEAL REPAIR KIT (ITEMS 6 THROUGH 12) |

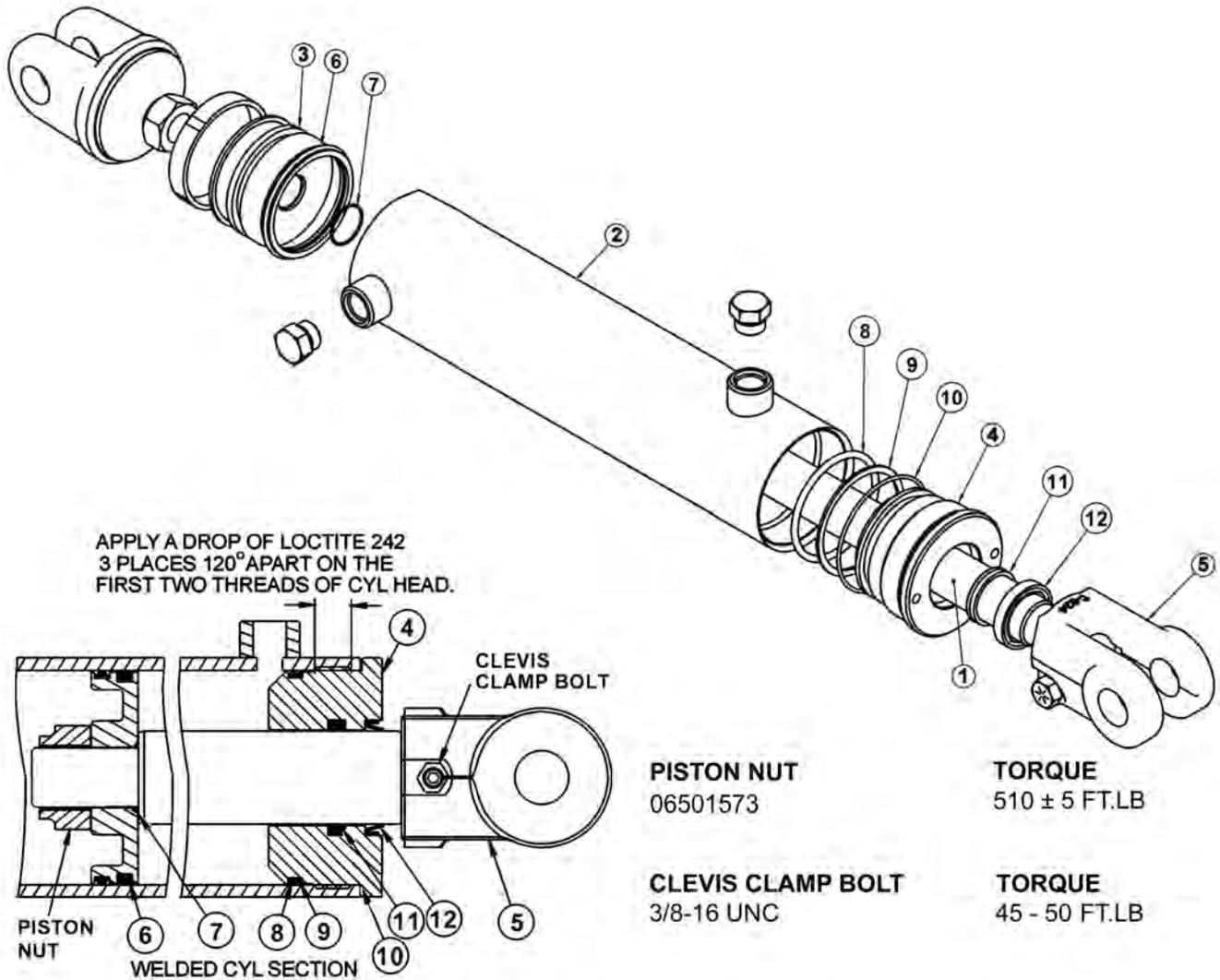
### 3-1/2IN X 20IN WELDED CYLINDER BREAKDOWN



**WARNING - MECHANICAL FASTENERS MUST BE TORQUED TO RECOMMENDED SPECIFICATIONS DURING REPAIR TO PREVENT PERSONAL INJURY OR EQUIPMENT DAMAGE.**

| ITEM  | PART NO. | QTY. | DESCRIPTION                          |
|-------|----------|------|--------------------------------------|
| ----- | 06501024 | -    | HYDRAULIC CYLINDER COMPLETE          |
| 1     | 06501565 | 1    | ROD                                  |
| 2     | 06501566 | 1    | TUBE WELDMENT                        |
| 3     | 06501567 | 1    | PISTON                               |
| 4     | 06501568 | 1    | CYLINDER HEAD                        |
| 5     | TB3033   | -    | CLEVIS                               |
| ----- | 06501569 | -    | SEAL REPAIR KIT (ITEMS 6 THROUGH 12) |

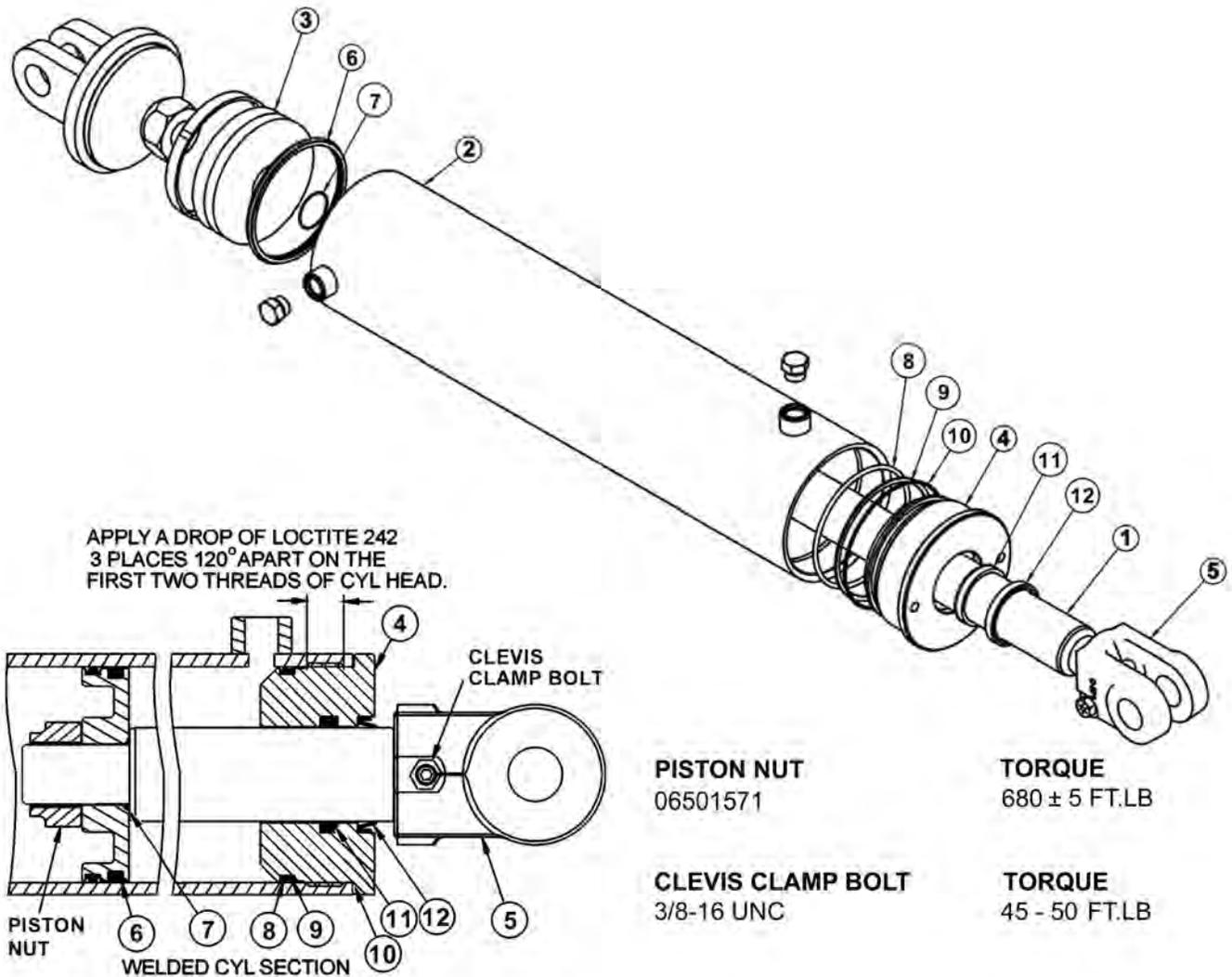
## 4IN X 20IN WELDED CYLINDER BREAKDOWN



**WARNING - MECHANICAL FASTENERS MUST BE TORQUED TO RECOMMENDED SPECIFICATIONS DURING REPAIR TO PREVENT PERSONAL INJURY OR EQUIPMENT DAMAGE.**

| ITEM  | PART NO. | QTY. | DESCRIPTION                          |
|-------|----------|------|--------------------------------------|
| ----- | 06501022 | -    | HYDRAULIC CYLINDER COMPLETE          |
| 1     | 06501556 | 1    | ROD                                  |
| 2     | 06501557 | 1    | TUBE WELDMENT                        |
| 3     | 06501558 | 1    | PISTON                               |
| 4     | 06501559 | 1    | CYLINDER HEAD                        |
| 5     | 6T0172   | 1    | CLEVIS                               |
| 5A    | 30172    | -    | CLEVIS (FOR EXTENDED BOOM)           |
| ----- | 06501560 | -    | SEAL REPAIR KIT (ITEMS 6 THROUGH 12) |

## 5IN X 20IN WELDED CYLINDER BREAKDOWN



**WARNING - MECHANICAL FASTENERS MUST BE TORQUED TO RECOMMENDED SPECIFICATIONS DURING REPAIR TO PREVENT PERSONAL INJURY OR EQUIPMENT DAMAGE.**

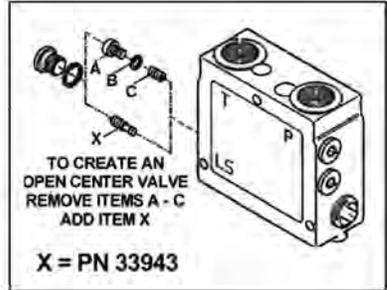
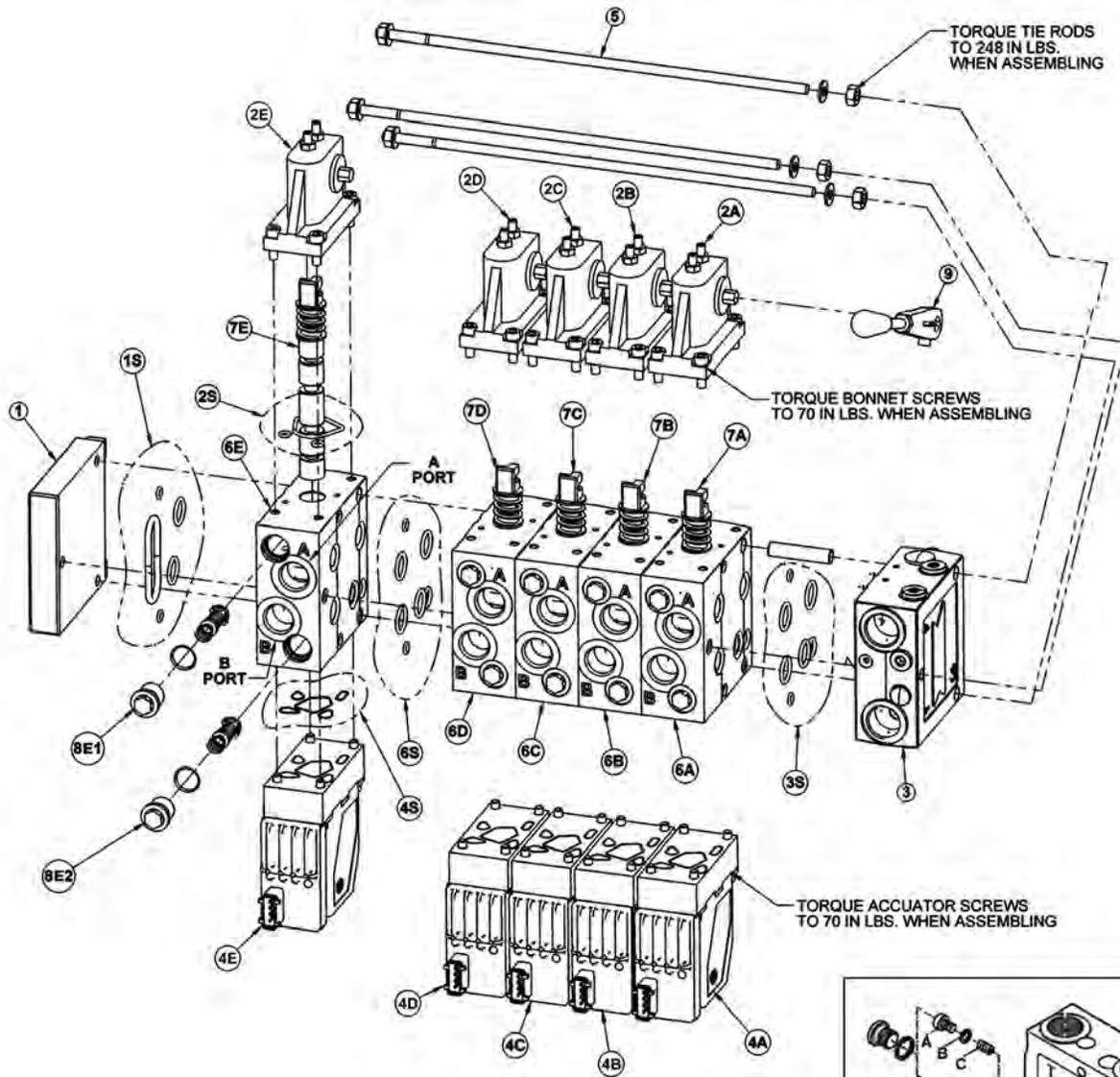
| ITEM  | PART NO. | QTY. | DESCRIPTION                          |
|-------|----------|------|--------------------------------------|
| ----- | 06501020 | -    | HYDRAULIC CYLINDER COMPLETE          |
| 1     | 06501544 | 1    | ROD                                  |
| 2     | 06501545 | 1    | TUBE WELDMENT                        |
| 3     | 06501546 | 1    | PISTON                               |
| 4     | 06501547 | 1    | CYLINDER HEAD                        |
| 5     | 06501548 | 1    | CLEVIS                               |
| ----- | 06501549 | -    | SEAL REPAIR KIT (ITEMS 6 THROUGH 12) |



**NOTES**

**NOTES**

## 5 SPOOL ELECTRONIC VALVE - OPEN STOW,3PS



| ITEM  | PART NO. | QTY. | DESCRIPTION         |
|-------|----------|------|---------------------|
| ----  | 06700224 | -    | VALVE, 5SP, OS      |
| ----- | 06502097 | -    | VALVE, SUB-ASSEMBLY |
| 1     | 06502074 | 1    | END PLATE           |
| 1S    | 06505013 | 1    | END PLATE SEAL KIT  |
| 2     | -----    | 5    | BONNET              |
| 2S    | 06505042 | 1    | BONNET SEAL KIT     |

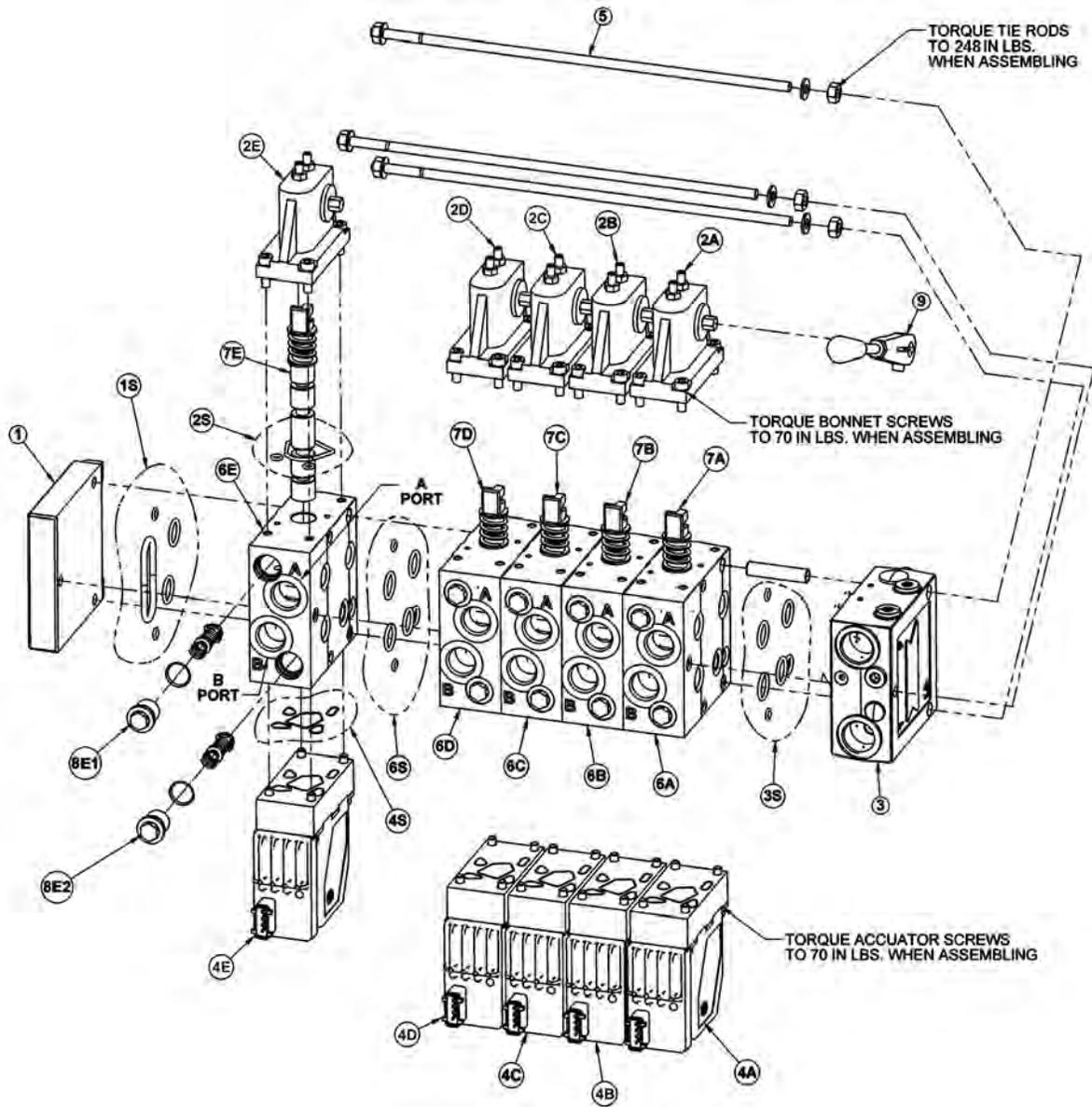
## 5 SPOOL ELECTRONIC VALVE - OPEN STOW,3PS

Continued...

| ITEM | PART NO. | QTY. | DESCRIPTION                        |
|------|----------|------|------------------------------------|
| 2A   | 42197    | 1    | MAIN BOOM BONNET                   |
| 2B   | 42197    | 1    | SECONDARY BOOM BONNET              |
| 2C   | 42197    | 1    | DECK ROLL BONNET                   |
| 2D   | 42197    | 1    | BOOM SWIVEL BONNET                 |
| 2E   | 42197    | 1    | DECK SHIELD BONNET                 |
| 3    | 34308    | 1    | INLET SECTION                      |
| 3S   | 06505013 | 1    | INLET SECTION SEAL KIT             |
| 4    | -----    | 5    | ELECTRONIC ACCUATOR                |
| 4A   | 06502101 | 1    | MAIN BOOM ELECTRONIC ACCUATOR      |
| 4B   | 06502101 | 1    | SECONDARY BOOM ELECTRONIC ACCUATOR |
| 4C   | 06502100 | 1    | DECK ROLL ELECTRONIC ACCUATOR      |
| 4D   | 06502101 | 1    | BOOM SWIVEL ELECTRONIC ACCUATOR    |
| 4E   | 06502099 | 1    | DECK SHIELD ELECTRONIC ACCUATOR    |
| 5    | 42202    | 1    | TIE-BOLT KIT                       |
| 6    | -----    | 5    | SECTION                            |
| 6S   | 06505013 | 1    | SECTION SEAL KIT                   |
| 6A   | 42698    | 1    | MAIN BOOM SECTION                  |
| 6B   | 42698    | 1    | SEC BOOM SECTION                   |
| 6C   | 06502076 | 1    | DECK ROLL SECTION                  |
| 6D   | 42698    | 1    | BOOM SWIVEL SECTION                |
| 6E   | 06502077 | 1    | SHIELD SECTION                     |
| 7    | -----    | 5    | SPOOL                              |
| 7A   | 42697    | 1    | MAIN BOOM SPOOL                    |
| 7B   | 42697    | 1    | SEC BOOM SPOOL                     |
| 7C   | 4242106  | 1    | DECK ROLL SPOOL                    |
| 7D   | 06502073 | 1    | BOOM SWIVEL SPOOL                  |
| 7E   | 42201    | 1    | DECK SHIELD SPOOL                  |
| 8    | -----    | 10   | ANTI CAV/SHOCK RELIEF              |
| 8A1  | 06502084 | 1    | MAIN BOOM A PORT RELIEF            |
| 8A2  | 06502081 | 1    | MAIN BOOM B PORT RELIEF            |
| 8B1  | 42296    | 1    | SEC BOOM A PORT RELIEF             |
| 8B2  | 06502082 | 1    | SEC BOOM B PORT RELIEF             |
| 8C1  | 42295    | 1    | DECK ROLL A PORT RELIEF            |
| 8C2  | 06502082 | 1    | DECK ROLL B PORT RELIEF            |
| 8D1  | 06502070 | 1    | BOOM SWIVEL A PORT RELIEF          |
| 8D2  | 06502083 | 1    | BOOM SWIVEL B PORT RELIEF          |
| 8E1  | 06502081 | 1    | DECK SHIELD A PORT RELIEF          |
| 8E2  | 06502081 | 1    | DECK SHIELD B PORT RELIEF          |
| 9    | 33459    | 1    | HANDLE                             |

COMMON BENGAL T4

## 5 SPOOL ELECTRONIC VALVE - SIDE STOW



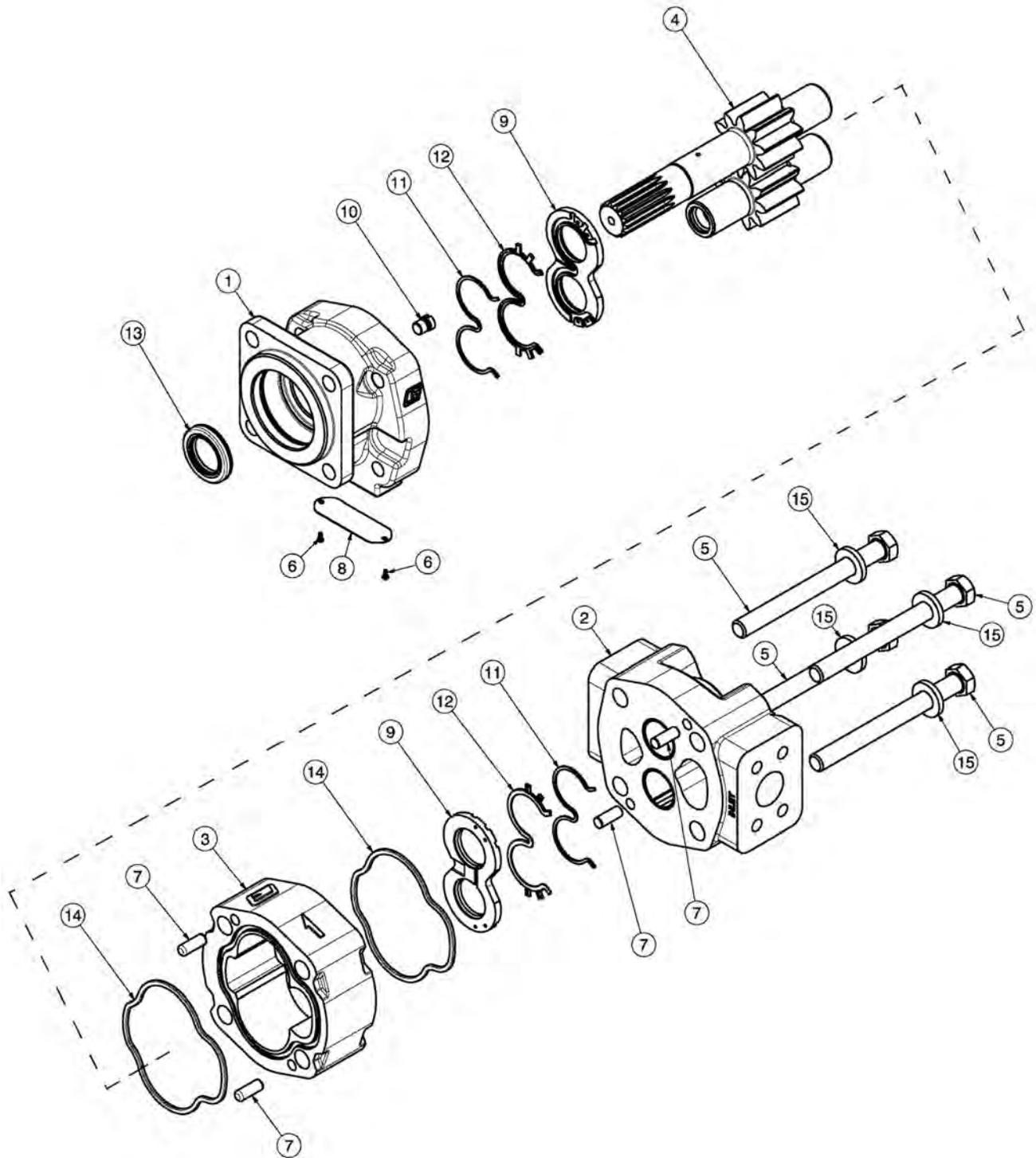
| ITEM  | PART NO. | QTY. | DESCRIPTION             |
|-------|----------|------|-------------------------|
| ----- | 06502096 | -    | VLV,5SP,32PVG,SIDE STOW |
| 1     | 06502074 | 1    | END PLATE               |
| 1S    | 06505013 | 1    | END PLATE SEAL KIT      |
| 2     | -----    | 5    | BONNET                  |
| 2S    | 06505042 | 1    | BONNET SEAL KIT         |
| 2A    | 42197    | 1    | MAIN BOOM BONNET        |
| 2B    | 42197    | 1    | SECONDARY BOOM BONNET   |
| 2C    | 42197    | 1    | DECK ROLL BONNET        |
| 2D    | 42197    | 1    | BOOM SWIVEL BONNET      |
| 2E    | 42197    | 1    | DECK SHIELD BONNET      |

## 5 SPOOL ELECTRONIC VALVE - SIDE STOW

Continued...

| ITEM | PART NO. | QTY. | DESCRIPTION                        |
|------|----------|------|------------------------------------|
| 3    | 34308    | 1    | INLET SECTION                      |
| 3S   | 06505013 | 1    | INLET SECTION SEAL KIT             |
| 4    | -----    | 5    | ELECTRONIC ACCUATOR                |
| 4A   | 06502101 | 1    | MAIN BOOM ELECTRONIC ACCUATOR      |
| 4B   | 06502101 | 1    | SECONDARY BOOM ELECTRONIC ACCUATOR |
| 4C   | 06502100 | 1    | DECK ROLL ELECTRONIC ACCUATOR      |
| 4D   | 06502101 | 1    | BOOM SWIVEL ELECTRONIC ACCUATOR    |
| 4E   | 06502099 | 1    | DECK SHIELD ELECTRONIC ACCUATOR    |
| 5    | 42202    | 1    | TIE-BOLT KIT                       |
| 6    | -----    | 5    | SECTION                            |
| 6S   | 06505013 | 1    | SECTION SEAL KIT                   |
| 6A   | 42698    | 1    | MAIN BOOM SECTION                  |
| 6B   | 42698    | 1    | SEC BOOM SECTION                   |
| 6C   | 06502076 | 1    | DECK ROLL SECTION                  |
| 6D   | 42698    | 1    | BOOM SWIVEL SECTION                |
| 6E   | 06502077 | 1    | SHIELD SECTION                     |
| 7    | -----    | 5    | SPOOL                              |
| 7A   | 42697    | 1    | MAIN BOOM SPOOL                    |
| 7B   | 42697    | 1    | SEC BOOM SPOOL                     |
| 7C   | 4242106  | 1    | DECK ROLL SPOOL                    |
| 7D   | 06502073 | 1    | BOOM SWIVEL SPOOL                  |
| 7E   | 42201    | 1    | DECK SHIELD SPOOL                  |
| 8    | -----    | 10   | ANTI CAV/SHOCK RELIEF              |
| 8A1  | 42650    | 1    | MAIN BOOM A PORT RELIEF            |
| 8A2  | 06502069 | 1    | MAIN BOOM B PORT RELIEF            |
| 8B1  | 42650    | 1    | SEC BOOM A PORT RELIEF             |
| 8B2  | 42295    | 1    | SEC BOOM B PORT RELIEF             |
| 8C1  | 42296    | 1    | DECK ROLL A PORT RELIEF            |
| 8C2  | 42295    | 1    | DECK ROLL B PORT RELIEF            |
| 8D1  | 42295    | 1    | BOOM SWIVEL A PORT RELIEF          |
| 8D2  | 42295    | 1    | BOOM SWIVEL B PORT RELIEF          |
| 8E1  | 06502069 | 1    | DECK SHIELD A PORT RELIEF          |
| 8E2  | 06502069 | 1    | DECK SHIELD B PORT RELIEF          |
| 9    | 33459    | 1    | HANDLE                             |

# FRONT HYDRAULIC PUMP

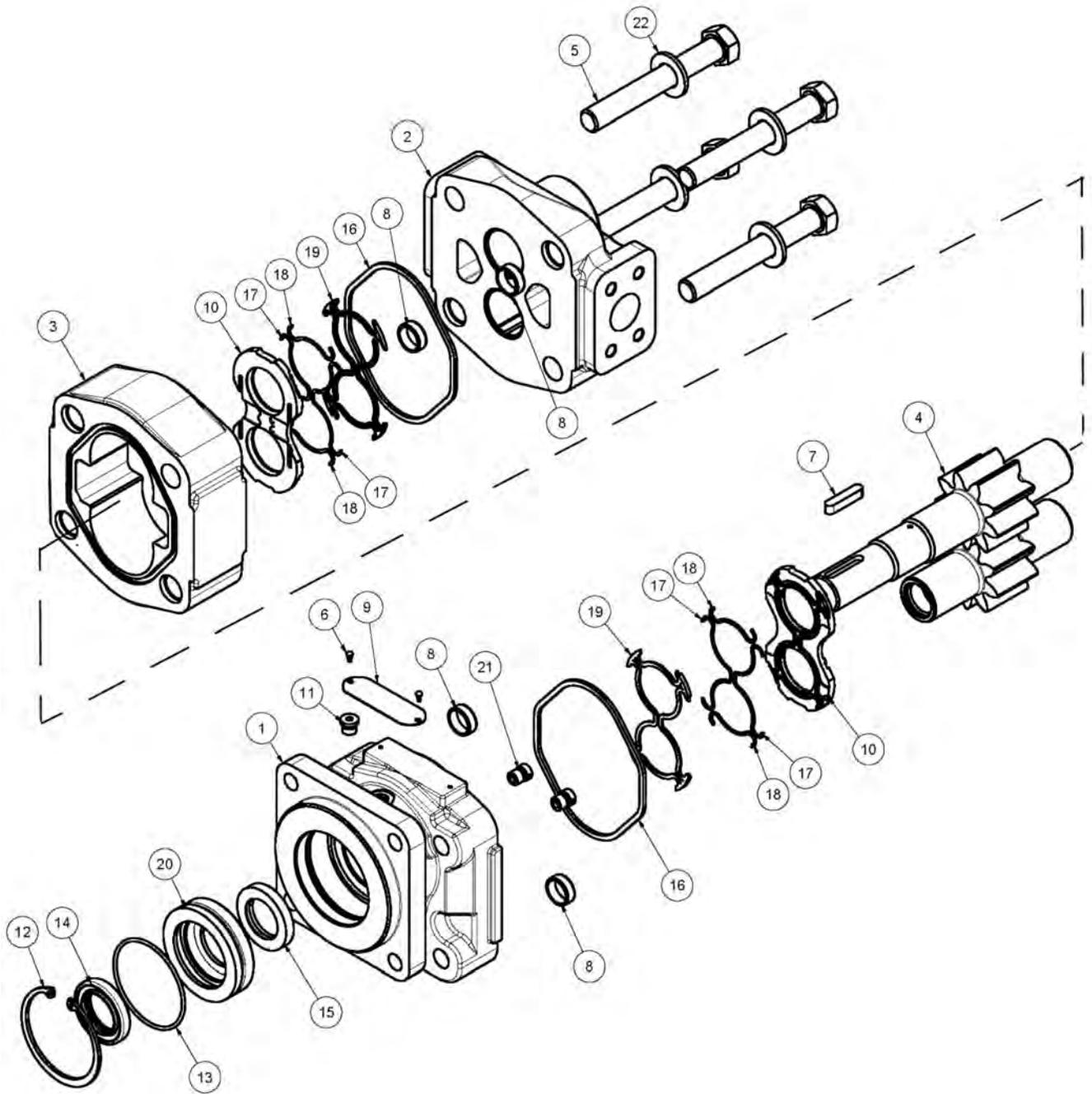


## FRONT HYDRAULIC PUMP

Continued...

| ITEM | PART NO. | QTY. | DESCRIPTION                           |
|------|----------|------|---------------------------------------|
| ---  | 23152    | 1    | PUMP ASSEMBLY,1-3/4",COMPLETE         |
| 1    | 22766    | 1    | SHAFT END COVER                       |
| 2    | 22779    | 1    | PORT END COVER                        |
| 3    | 22774    | 1    | GEAR HOUSING,1-3/4"                   |
| 4    | 22771    | 1    | GEAR SET                              |
| 5    | 23824    | 4    | CAPSCREW                              |
| 6    | 06504078 | 2    | SCREW,DRIVE                           |
| 7    | 22773    | 4    | DOWEL PINS                            |
| 8    | 06504077 | 1    | NAMEPLATE                             |
| 9    | 22770    | 2    | THRUST PLATE                          |
| 10   | 22767    | 1    | PLUG                                  |
| 11   | 06504075 | 2    | SEAL,BK-UP                            |
| 12   | 06504074 | 2    | SEAL,CHAN                             |
| 13   | 22765    | 1    | SEAL,LIP                              |
| 14   | 06504076 | 2    | SEAL,SQ-R                             |
| 15   | 02961917 | 4    | WASHER                                |
| ---  | 24150    | 1    | SEAL KIT (INCLUDES 11, 12, 13 AND 14) |

# 50IN AND 60IN ROTARY MOTOR BREAKDOWN



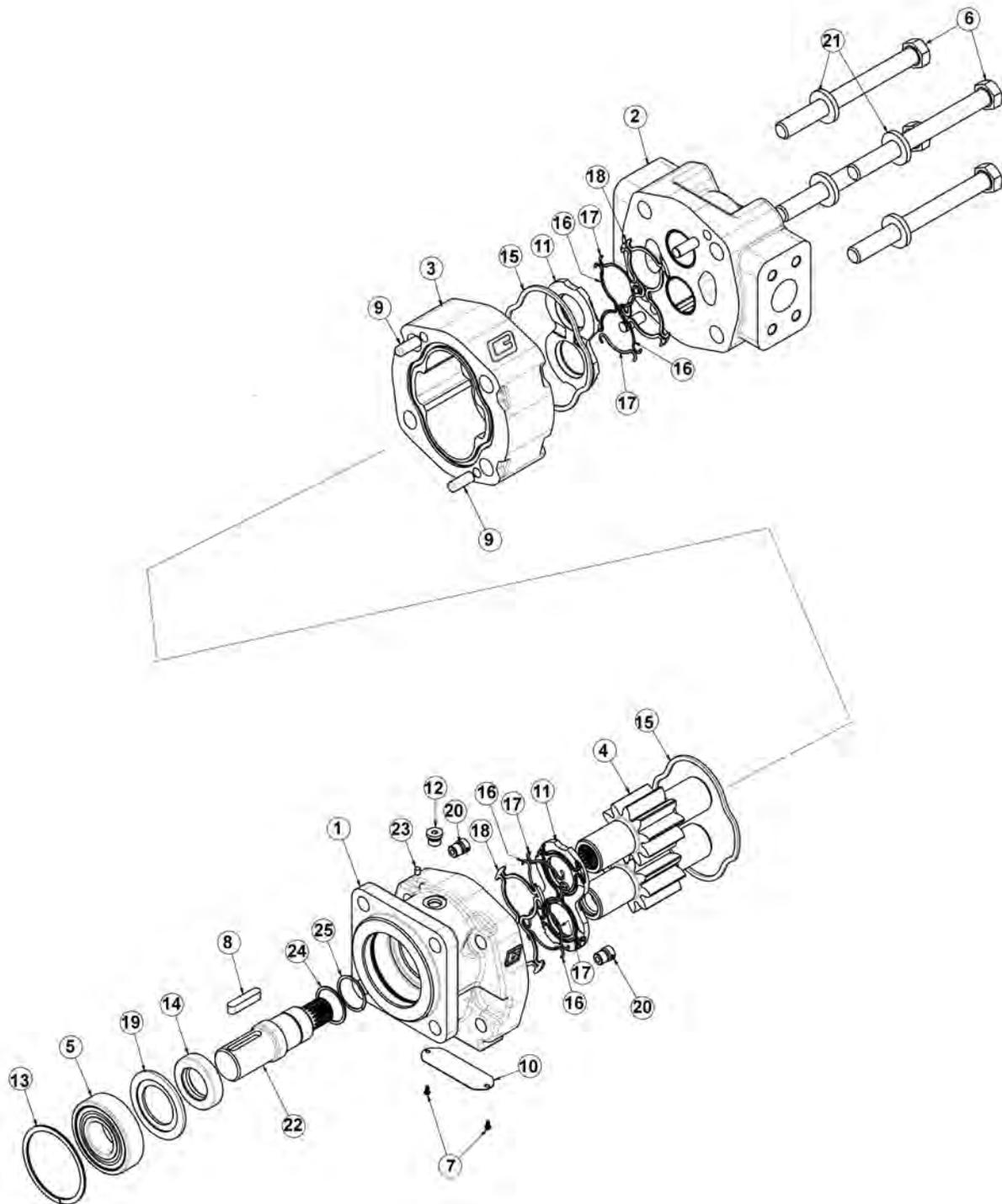


## 50IN AND 60IN ROTARY MOTOR BREAKDOWN

Continued...

| ITEM  | PART NO. | QTY. | DESCRIPTION          |
|-------|----------|------|----------------------|
|       | 06504011 | -    | MOTOR ASSEMBLY,TRB60 |
|       | 06504012 | -    | MOTOR ASSEMBLY,TRB50 |
| 1     | 22790    | 1    | HOUSING, SEC         |
| 2     | 06504088 | 1    | HOUSING, PEC         |
| 3     | 06504062 | 1    | HOUSING, GEAR,TRB60  |
| ----- | 06504089 | -    | HOUSING, GEAR,TRB50  |
| 4     | 06504090 | 1    | SET, GEAR SHAFT      |
| 5     | 06504104 | 4    | CAP SCREW,TRB60      |
| ----- | 06504091 | -    | CAP SCREW,TRB50      |
| 6     | 06504078 | 2    | SCREW, DRIVE         |
| 7     | 06504092 | 1    | KEY                  |
| 8     | 06504093 | 4    | PIN, DOWEL           |
| 9     | 06504094 | 1    | NAME PLATE           |
| 10    | 06504095 | 2    | THRPL                |
| 11    | 2961940  | 1    | PLUG, ODT            |
| 12    | 2962200  | 1    | RING, SNAP           |
| 13    | 06504096 | 1    | O RING               |
| 14    | 6T5101   | 1    | SEAL, LIP            |
| 15    | 06504097 | 1    | SEAL, LIP            |
| 16    | 22797    | 2    | SEAL, SQ-R           |
| 17    | 06504098 | 4    | SEAL, SIDE CHAN      |
| 18    | 06504099 | 4    | SEAL, END CHAN       |
| 19    | 06504100 | 2    | SEAL, BK-UP          |
| 20    | 06504101 | 1    | RTNR, SEAL           |
| 21    | 6T5809   | 2    | CHECK ASS'Y          |
| 22    | 06504102 | 4    | WASHER               |
| ----- | 06504103 | -    | SEAL KIT             |

# FLAIL MOTOR BREAKDOWN

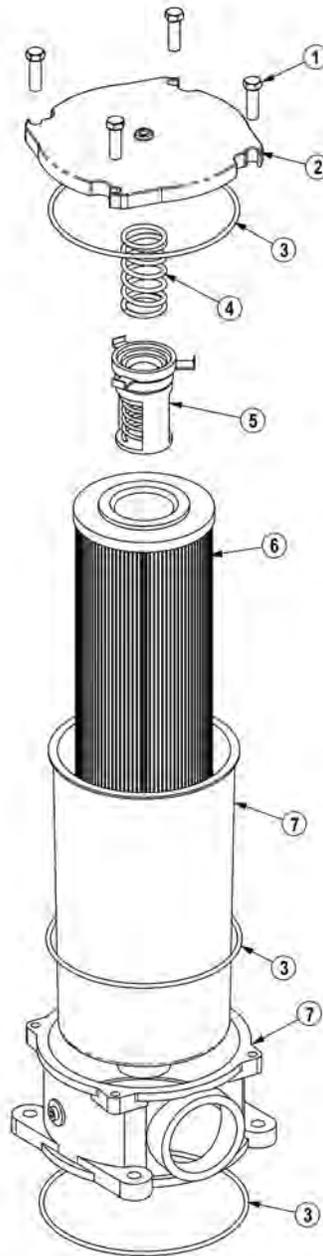


## FLAIL MOTOR BREAKDOWN

Continued...

| ITEM | PART NO. | QTY. | DESCRIPTION                       |
|------|----------|------|-----------------------------------|
| *    | 06504132 | -    | MOTOR ASSEMBLY 350 - TBF50, TBF63 |
| 1    | 06504141 | 1    | SHAFT END COVER                   |
| 2    | 06504040 | 1    | PORT END COVER                    |
| 3    | 06504041 | 1    | GEAR HOUSING                      |
| 4    | 06504117 | 1    | MATCHED GEAR SET                  |
| 5    | TF4402   | 1    | BALL BEARING                      |
| 6    | 06504043 | 4    | CAP SCREW                         |
| 7    | 06504044 | 2    | SET SCREW                         |
| 8    | 06504028 | 1    | KEY                               |
| 9    | 06504045 | 4    | DOWEL PIN                         |
| 10   | *        | 1    | NAMEPLATE                         |
| 11   | 763759   | 1    | THRUSTPLATE                       |
| 12   | 2961940  | 1    | PLUG, ODT (0.25)                  |
| 13   | TF4401   | 1    | SNAP RING                         |
| 14   | 06504142 | 1    | LIP SEAL                          |
| 15   | TF4410   | 2    | GASKET SEAL                       |
| 16   | 06504046 | 4    | SIDE SEAL                         |
| 17   | 06504047 | 4    | END SEAL                          |
| 18   | TF4407   | 2    | BACK-UP SEAL                      |
| 19   | 06504122 | 1    | SEAL RETAINER                     |
| 20   | 6T5809   | 2    | CHECK ASSEMBLY                    |
| 21   | 2961917  | 4    | WASHER                            |
| 22   | 06504140 | 1    | SHAFT                             |
| 23   | 06504139 | 1    | BREATHER                          |
| 24   | 06504121 | 1    | SPACER, BRG                       |
| 25   | 06504119 | 1    | SNAP RING                         |
| *    | 06504116 | -    | SEAL KIT                          |

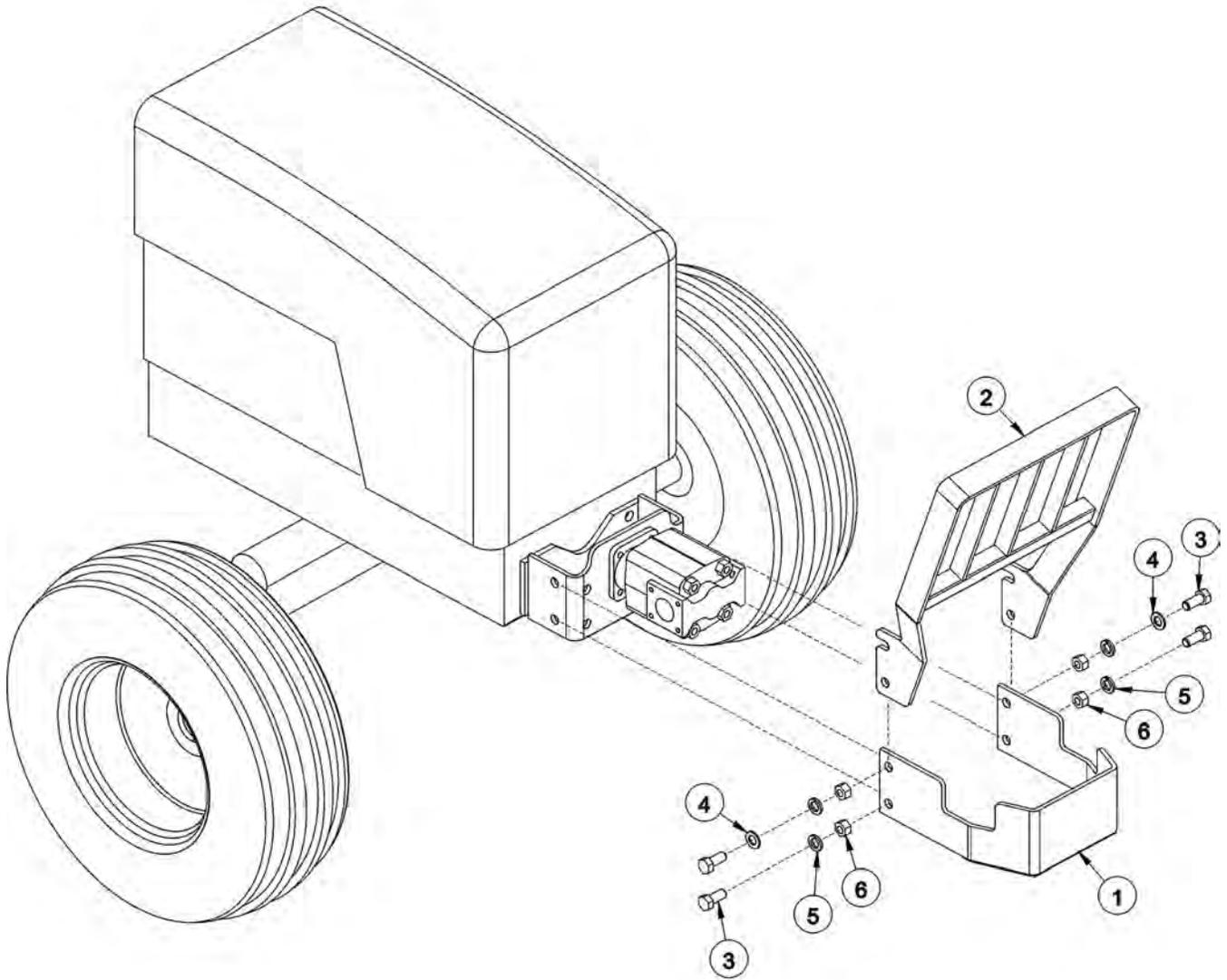
## RESERVOIR TANK FILTER ASSEMBLY



| ITEM  | PART NO. | QTY. | DESCRIPTION                     |
|-------|----------|------|---------------------------------|
| ----- | 06505044 | -    | FILTER ASSY SAE 10 MICRON       |
| 1     | 28583    | 4    | CAPSCREW,8MM X 25MM(1.25 PITCH) |
| 2     | 06505045 | 1    | COVER                           |
| 3     | 06505046 | 1    | SEAL KIT                        |
| 4     | 06505047 | 1    | SPRING                          |
| 5     | 06505048 | 1    | BYPASS                          |
| 6     | 35259    | 1    | FILTER,10 MIC,RETURN LINE       |
| 7     | 06505049 | 1    | CAN/BODY                        |

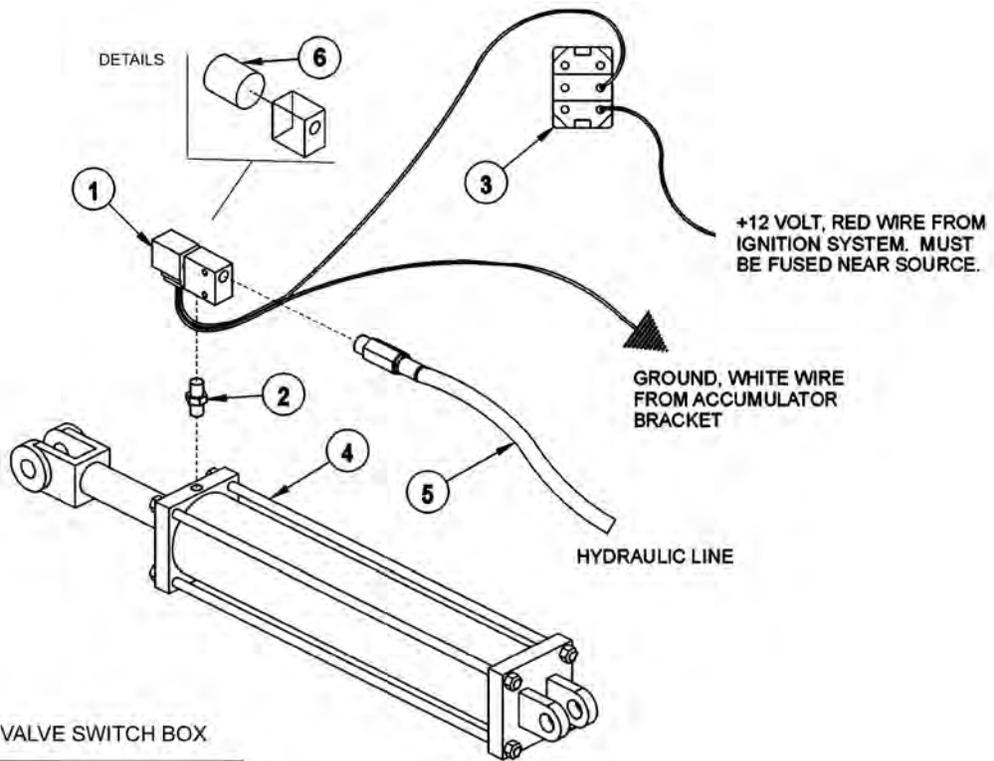
COMMON BENGAL T4

## PUMP AND GRILL GUARD OPTIONS



| ITEM | PART NO. | QTY. | DESCRIPTION               |
|------|----------|------|---------------------------|
| 1    | 32430    | 1    | UNIVERSAL PUMP GUARD      |
| 2    | 32737    | 1    | UNIVERSAL GRILL GUARD     |
| 3    | 21833    | 4    | CAPSCREW,3/4" X 2-1/4",NC |
| 4    | 22021    | 2    | FLATWASHER,3/4"           |
| 5    | 21993    | 4    | LOCKWASHER,3/4"           |
| 6    | 21825    | 4    | HEX NUT,3/4",NC           |

## BOOM TRAVEL LOCK



ELECTRONIC LIFT VALVE SWITCH BOX

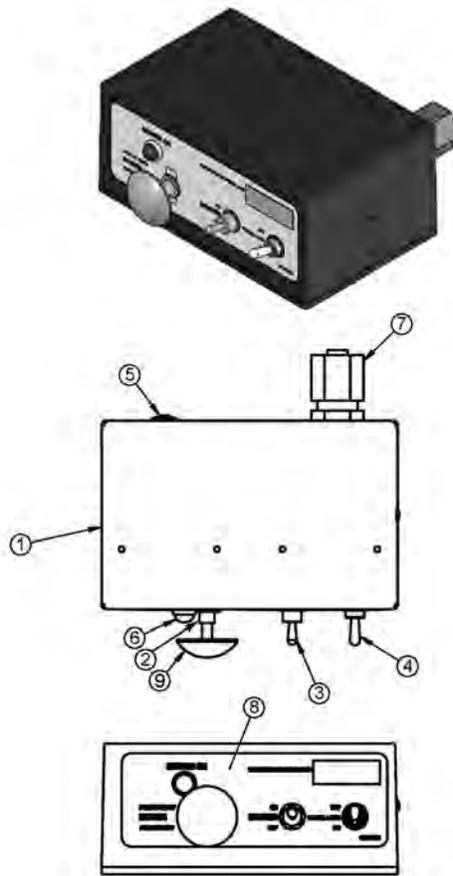


MANUAL LIFT VALVE SWITCH BOX



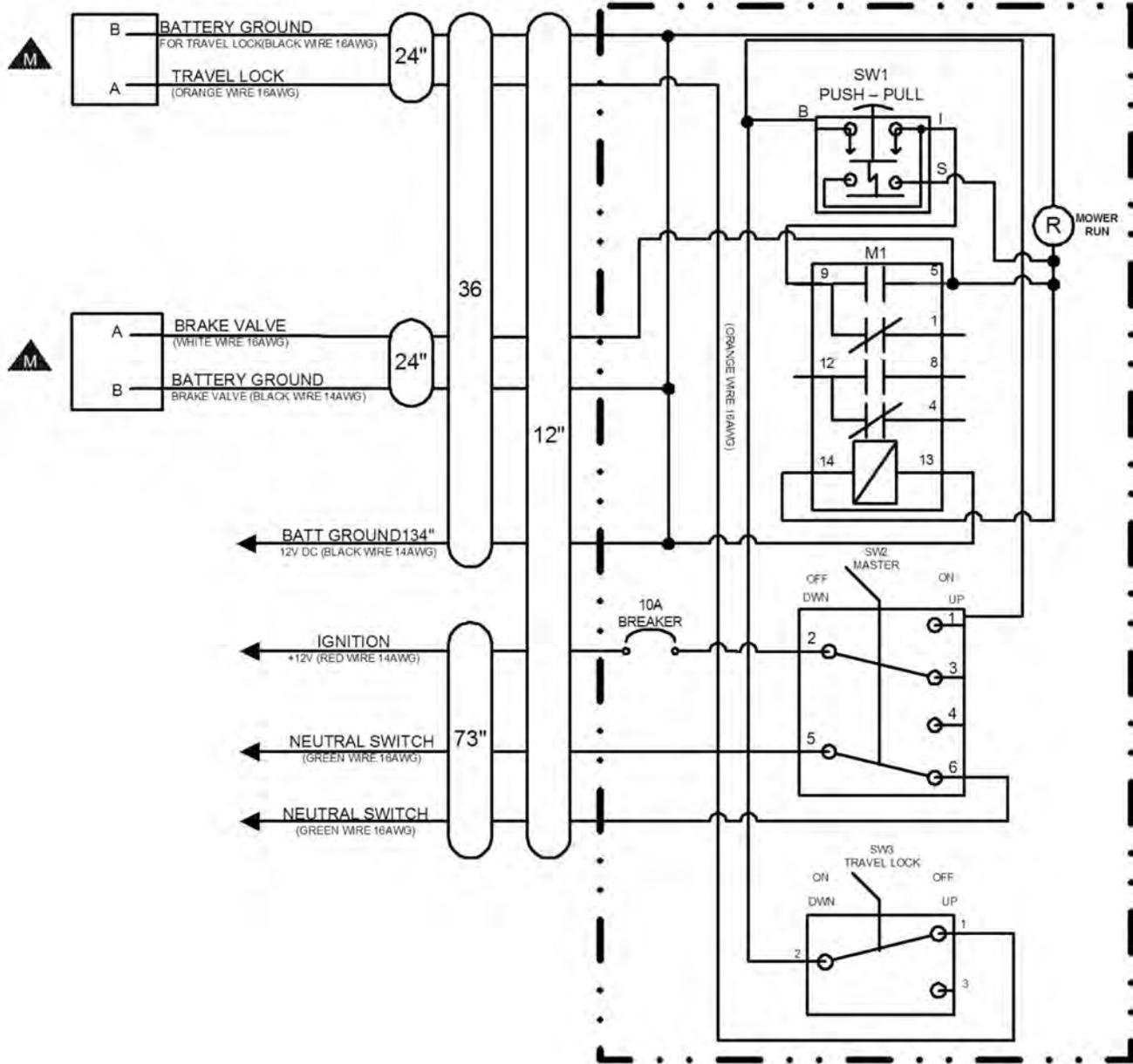
| ITEM  | PART NO. | QTY. | DESCRIPTION                             |
|-------|----------|------|-----------------------------------------|
| 1     | 06510050 | 1    | HYDRAULIC TRAVEL LOCK VALVE             |
| 2     | 31329    | 1    | ADAPTER - STANDARD BOOM                 |
| ----- | 31611    | 1    | ADAPTER - EXTENDED BOOM                 |
| 3     | 34532    | 1    | SWITCH,TRAVEL LOCK                      |
| 4     | -----    | -    | MAIN BOOM CYLINDER *REFER TO BOOM ASSY  |
| 5     | -----    | -    | HOSE / FITTINGS *REFER TO BOOM HYD ASSY |
| 6     | 06510092 | 1    | COIL ,TRAVEL LOCK                       |

## MANUAL LIFT VALVE SWITCH BOX



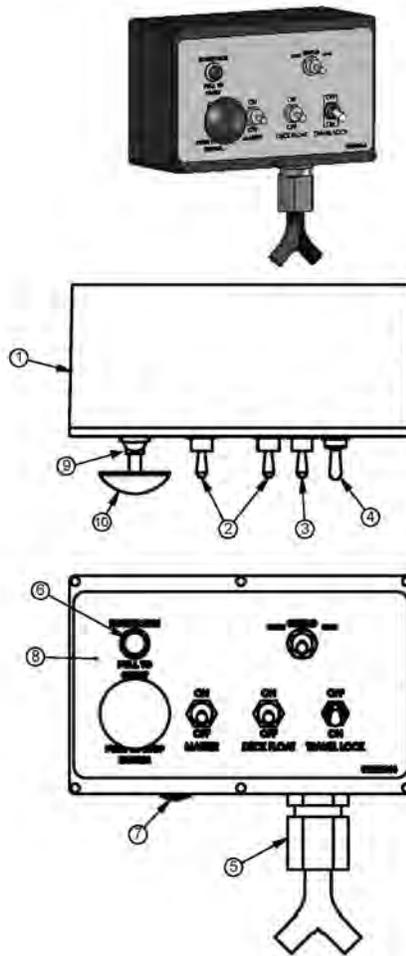
| ITEM | PART NO. | QTY. | DESCRIPTION                   |
|------|----------|------|-------------------------------|
| 1    | 06514012 | 1    | SWBX,ALUM,BLK,06510100        |
| 2    | 35226    | 1    | SWITCH,MOWER,COLEHERSEE       |
| 3    | 33811    | 1    | SWITCH,MASTER/DECK FLOAT      |
| 4    | 34532    | 1    | SWITCH,TRVL LCK               |
| 5    | 06514014 | 1    | BREAKER,10A,SWBX              |
| 6    | 6T3923   | 1    | INDICTATOR LIGHT,ON,RED       |
| 7    | 34540    | 1    | STRAIN RELIEF,3/4,BLACK,NYLON |
| 8    | 06550019 | 1    | DECAL,SWTCHBX,BOOM,CG         |
| 9    | 02964063 | 1    | KNOB,RED                      |
| 10   | 35227    | 1    | RELAY,DP,DT,12V,LY2F,35226    |

# MANUAL LIFT VALVE SCHEMATIC



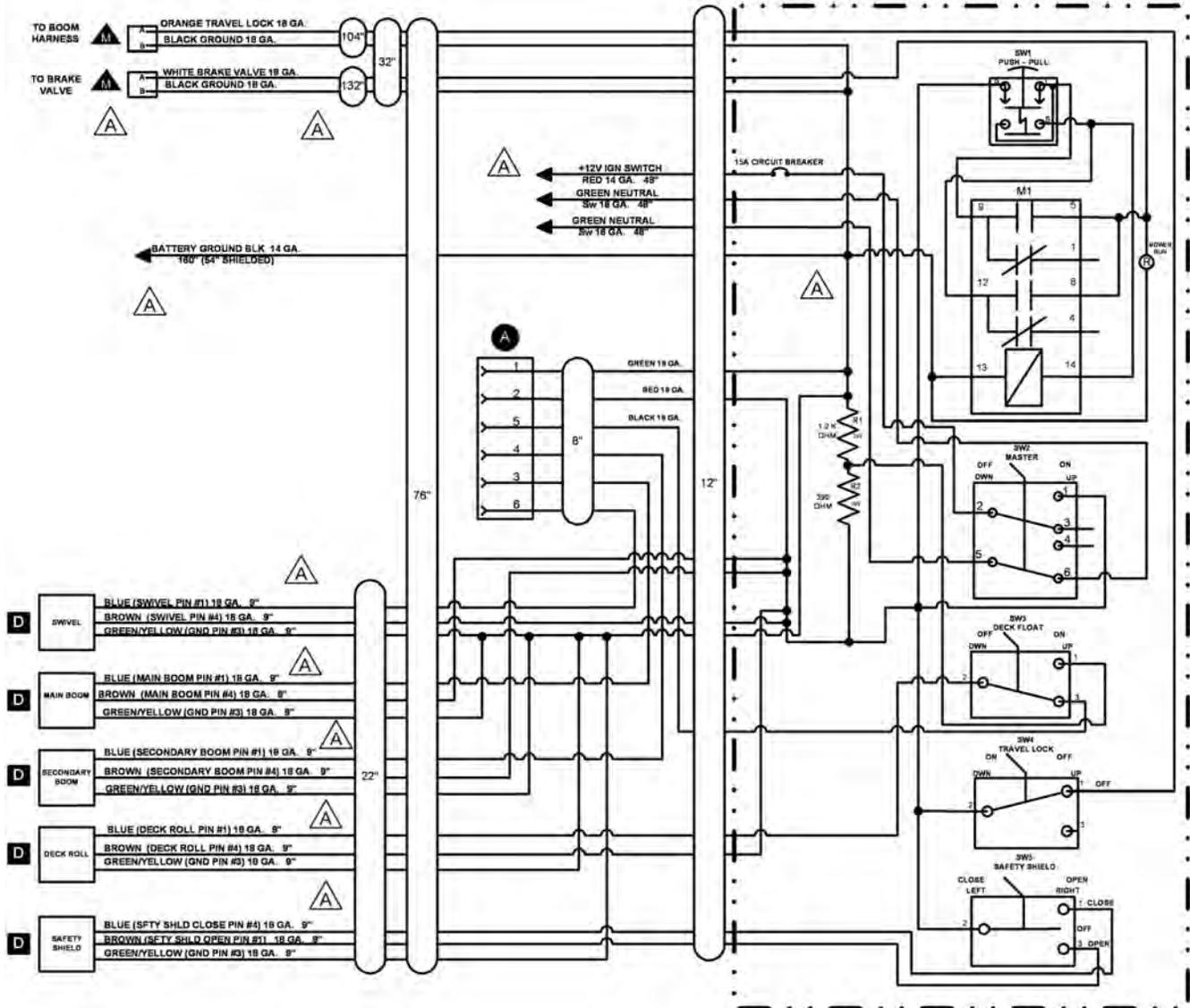


## ELECTRONIC LIFT VALVE SWITCH BOX

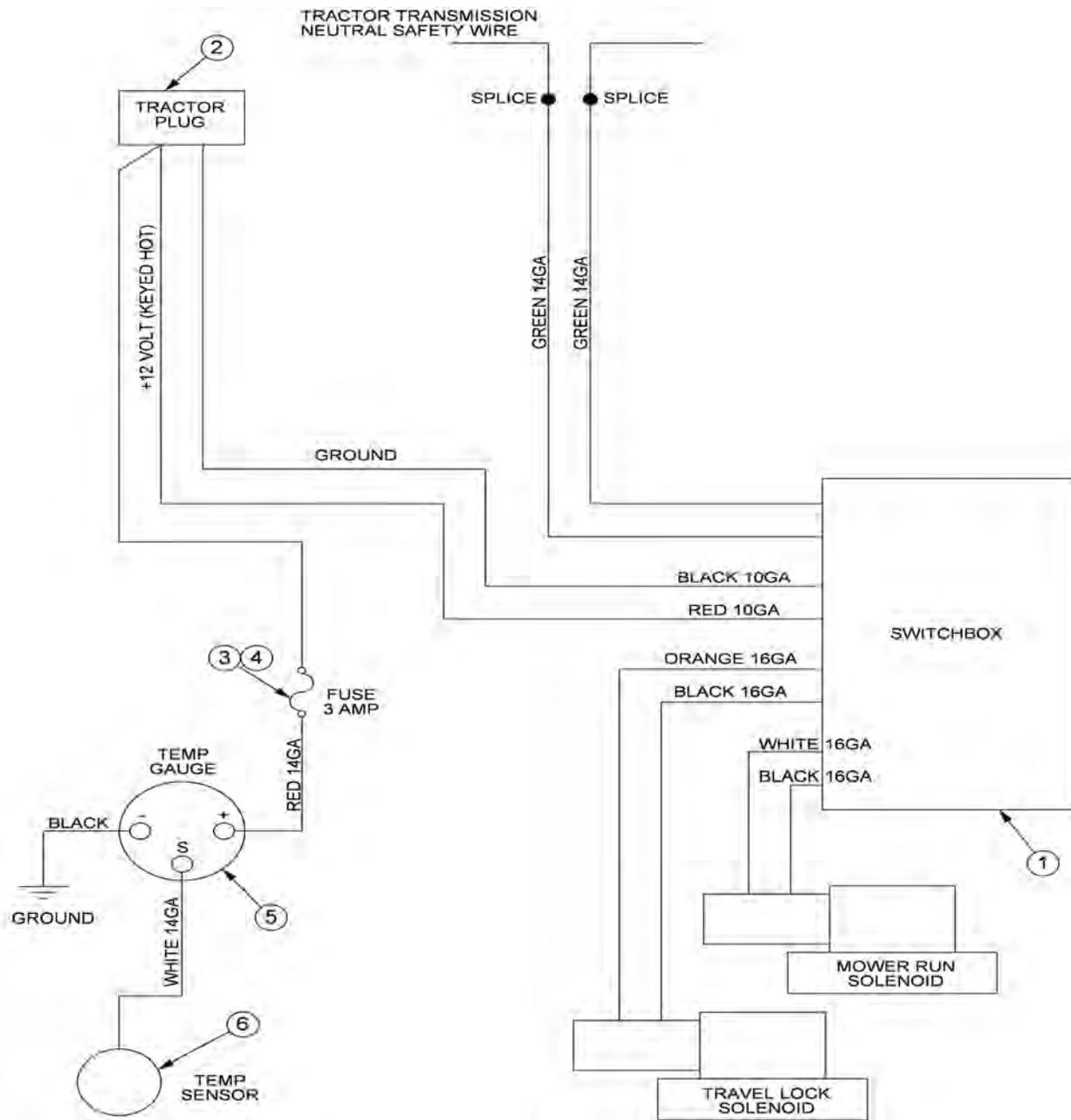


| ITEM | PART NO. | QTY. | DESCRIPTION                    |
|------|----------|------|--------------------------------|
| 1    | 06510196 | 1    | SWBX,ASSY                      |
| 2    | 33811    | 2    | SWITCH,MASTER/DECK FLOAT       |
| 3    | 33813    | 1    | SWITCH,SFTY SHIELD             |
| 4    | 34532    | 1    | SWITCH,TRVL LCK                |
| 5    | 34540    | 1    | STRAIN RELIEF,3/4",BLACK,NYLON |
| 6    | 6T3923   | 1    | INDICTATOR LIGHT,ON,RED        |
| 7    | 06514006 | 1    | BREAKER,15A,SWBX               |
| 8    | 06550044 | 1    | DECAL,SWBX,06510047            |
| 9    | 35226    | 1    | SWITCH,MOWER,COLEHERSEE        |
| 10   | 02964063 | 1    | KNOB,RED                       |
| 11   | 35227    | 1    | RELAY,DP,DT,12V,LY2F,35226     |

# ELECTRONIC LIFT VALVE SCHEMATIC

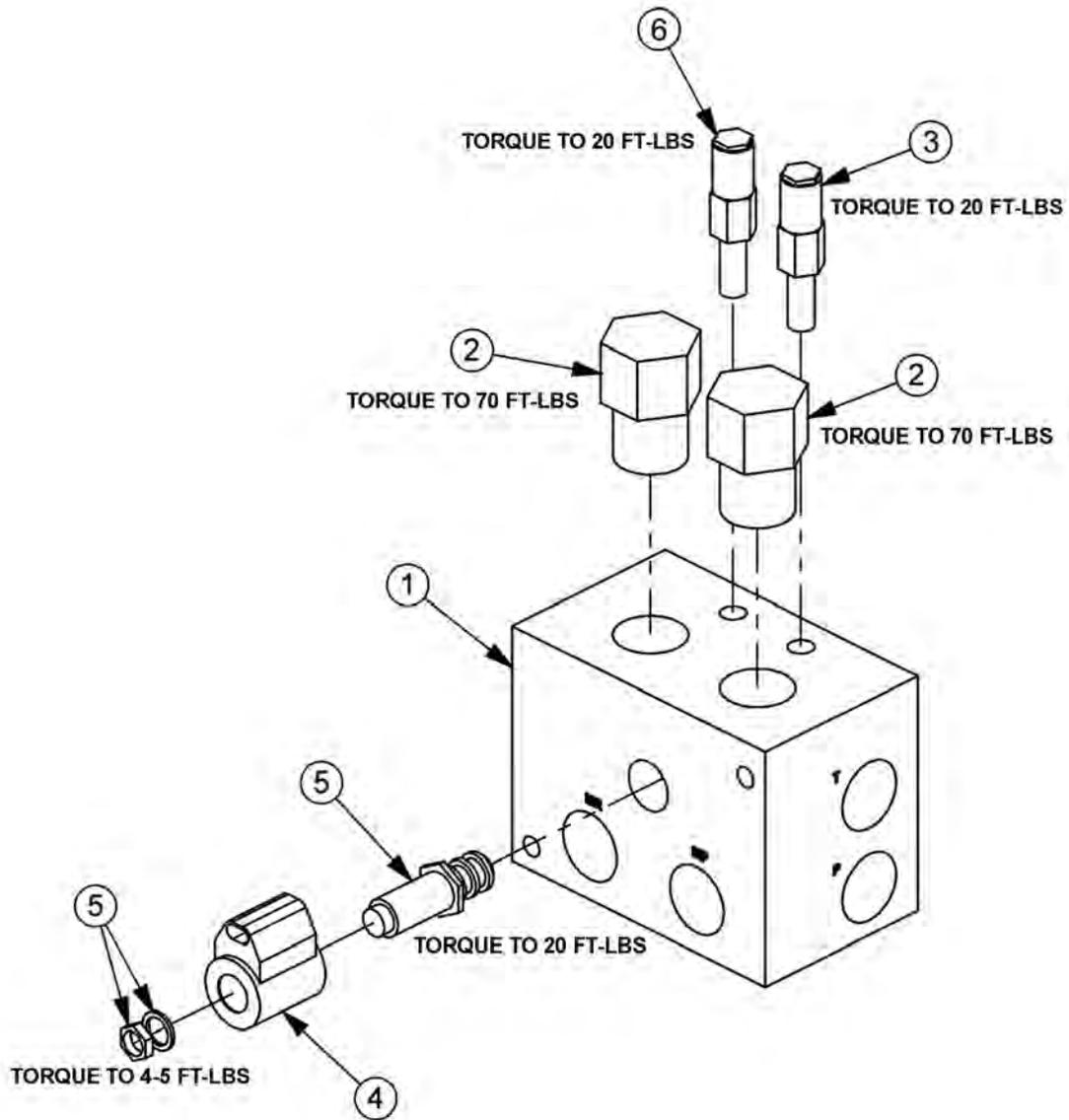


## SOLENOID SWITCH BOX AND WIRING



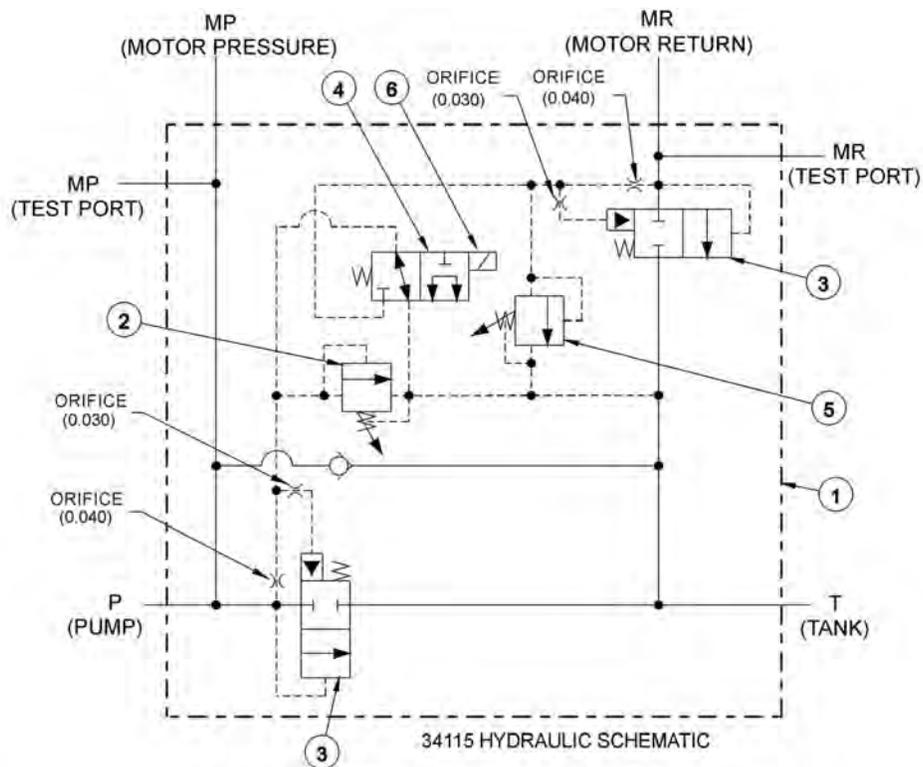
| ITEM | PART NO. | QTY. | DESCRIPTION                  |
|------|----------|------|------------------------------|
| 1    | -----    | -    | SWITCH BOX                   |
| 2    | RE37651  | 1    | PLUG,AUX PWR                 |
| 3    | 24204    | -    | FUSE HOLDER,IN-LINE (OPTION) |
| 4    | 6T3965   | -    | FUSE,3AMP (OPTION)           |
| 5    | 6T3934   | -    | TEMPERATURE GAUGE (OPTION)   |
| 6    | 6T3931   | -    | TEMPERATURE SENSOR (OPTION)  |

## BRAKE VALVE ASSEMBLY



| ITEM | PART NO. | QTY. | DESCRIPTION                                      |
|------|----------|------|--------------------------------------------------|
| ---  | 06510083 | 1    | BRAKE VALVE, ASSY                                |
| 1    | 34092    | 1    | BRAKE VALVE, BLANK                               |
| 2    | 34094    | 2    | LOGIC ELEMENT                                    |
| 3    | 34095    | 1    | RELIEF VALVE, 3000 PSI                           |
| 4    | 06510095 | 1    | METRI PAK COIL                                   |
| 5    | 34093    | 1    | CARTRIDGE, 2 POSITION, 3 WAY (WITH NUT & WASHER) |
| 6    | 34091    | 1    | RELIEF VALVE, 2600 PSI                           |
| ---  | 34096    | 2    | RELIEF SEAL KIT                                  |
| ---- | 34097    | 1    | SOLENOID SEAL KIT                                |
| ---  | 34098    | 2    | ELEMENT SEAL KIT                                 |

## BRAKE VALVE HYDRAULIC SCHEMATIC



### BRAKE VALVE TROUBLESHOOTING

#### FAILURE MODE:

- MOWER WILL NOT START - system pressure is low (engine not lugging).
- MOWER WILL NOT START - system pressure is high (engine lugging). "MR" port will be high pressure.
- MOWER WILL NOT ROTATE AT FULL SPEED - limited power.
- MOWER BLADE WILL NOT STOP - blade will not stop in proper time.

#### CHECK STEPS

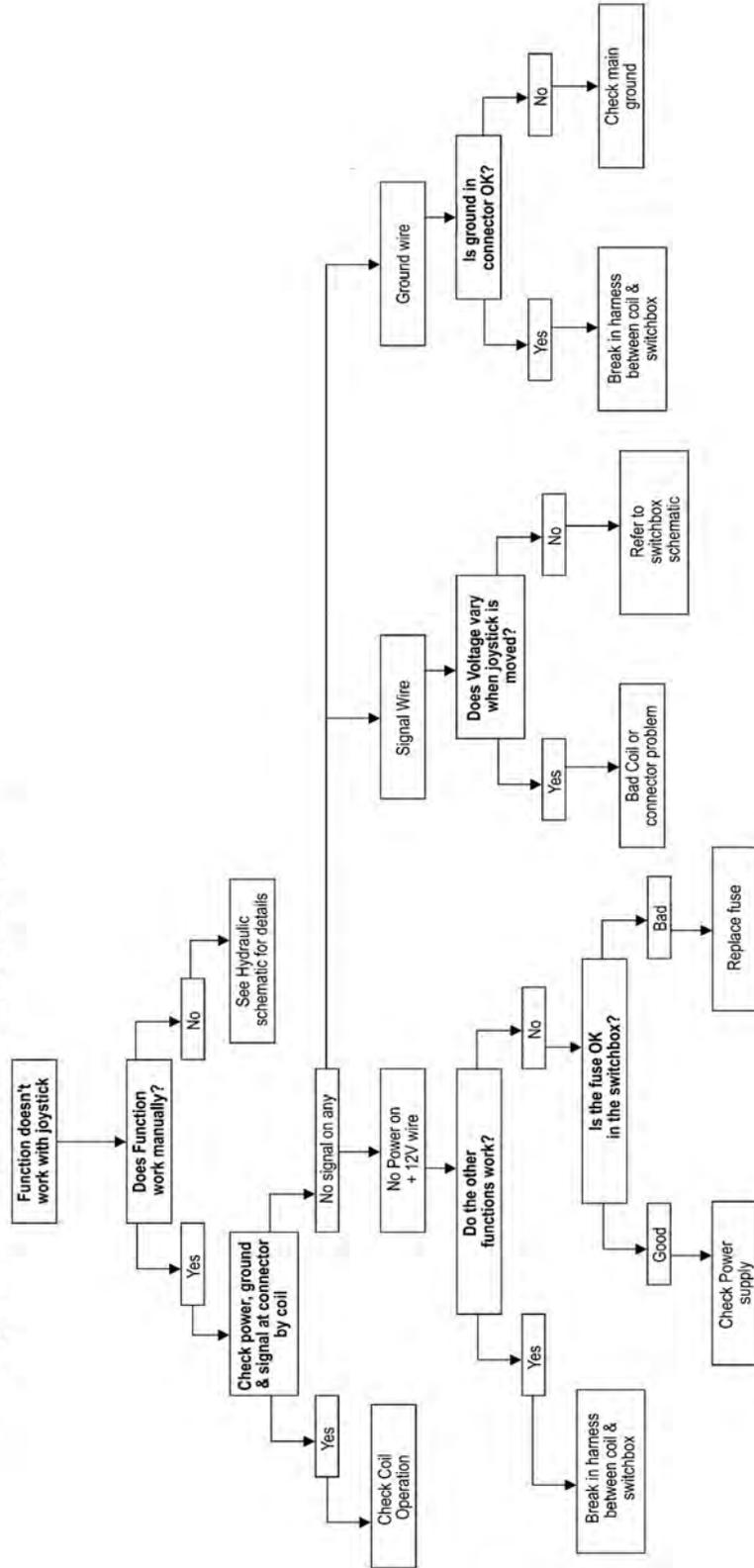
- 1 thru 6
- 7
- 3 thru 5
- 7 thru 9

#### CORRECTIVE STEPS:

1. Check for voltage at solenoid (item 6), voltage must be between 10.2 volts and 13.8 volts.
2. Remove, inspect solenoid and cartridge (items 4, 6) for wear or contamination.
3. Remove, inspect logic elements near "P" port (item 3) for wear or contamination.
4. Remove, inspect 3000 psi relief valve (item 2) for wear or contamination.
5. Remove and inspect orifices near "P" port for contamination.
6. Remove "P" port hose and fitting, visually inspect for contamination, check ball for movement.
7. Remove and inspect orifices near "MR" port for contamination.
8. Remove, inspect 2600 psi relief valve (item 5) for wear or contamination.
9. Remove, inspect logic element near "MR" port (item 3) for wear or contamination.

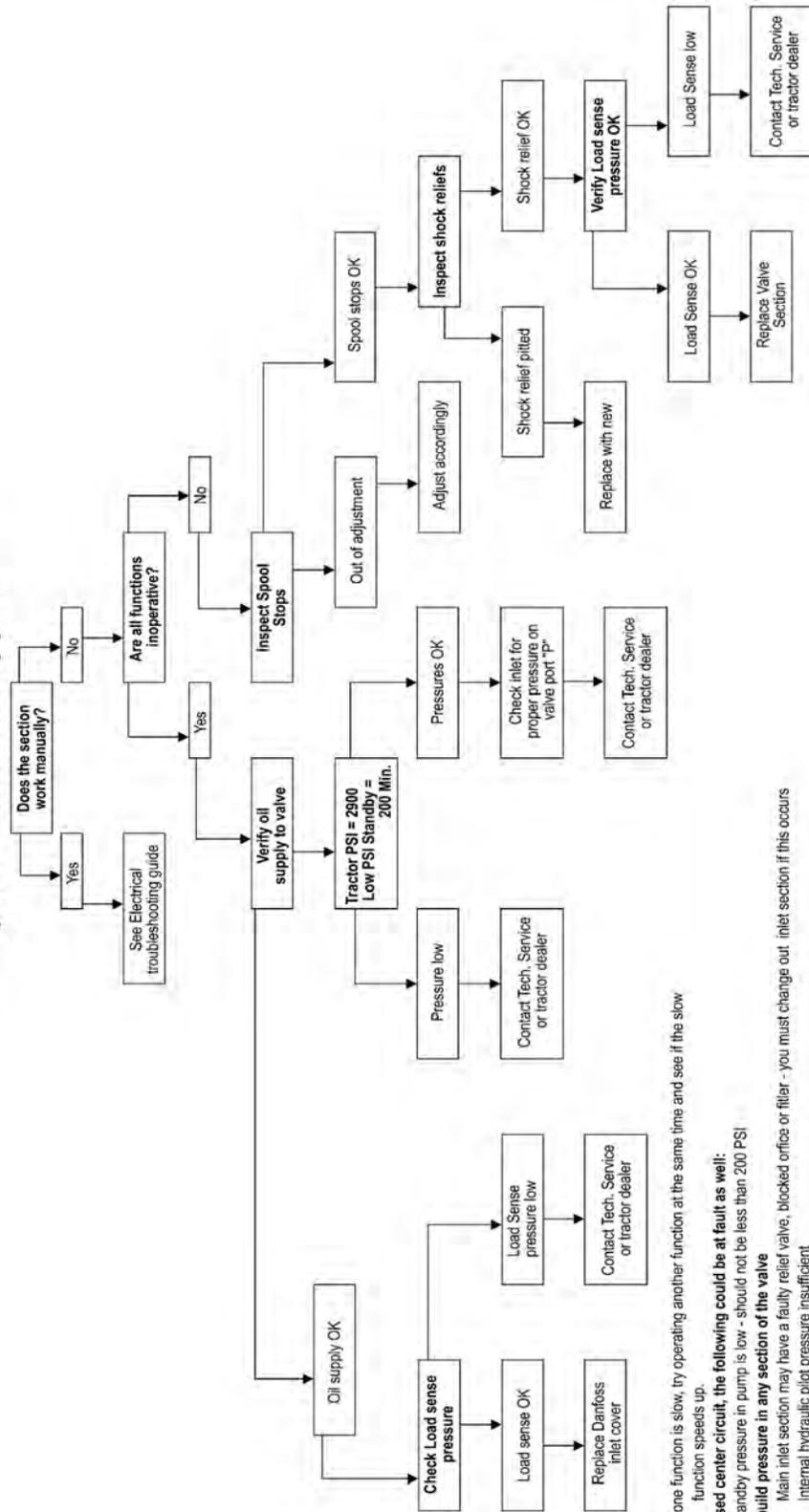
# ELECTRICAL TROUBLESHOOTING GUIDE

## Joystick Electrical Troubleshooting guide



# HYDRAULIC TROUBLESHOOTING GUIDE

## Hydraulic Troubleshooting guide



**Notes:** If one function is slow, try operating another function at the same time and see if the slow function speeds up.  
**On a closed center circuit, the following could be at fault as well:**  
 Tractor standby pressure in pump is low - should not be less than 200 PSI  
**Cannot build pressure in any section of the valve**  
 Main inlet section may have a faulty relief valve, blocked orifice or filter - you must change out inlet section if this occurs  
 Internal hydraulic pilot pressure insufficient

## TROUBLESHOOTING

### JOYSTICK TROUBLESHOOTING

#### **Boom operation not responding to joystick movement.**

Isolate hydraulic vs. electronic symptom.

Turn off electronic master switch (preventing electronic actuator on valve from attempting to hold spool in neutral position). With tractor engine running, operate the valve section with the manual handle. If function operates normally, continue with electronic inspection. If function does not operate normally, continue with hydraulic inspection.

#### **Electronic inspection.**

Connect a voltmeter to the cable connector of the valve section that is not operating. This will allow you to measure supply and signal voltage when the joystick is operated.

Main, Secondary, and Swivel Valves – signal voltage should be 50% of supply voltage with joystick in Neutral position, up to 75% of supply voltage in B direction, down to 25% of supply voltage in A direction. Signal voltage should change smoothly with lever movement.

Pin #1 – Signal Voltage, Pin #4 – Power Voltage, Pin #3 – Ground

Deck Roll Valve or Float Valve – signal voltage should be 50% of supply voltage with joystick in Neutral position, up to 65% of supply voltage in B direction, down to 35% of supply voltage in A direction. Signal voltage should change smoothly with lever movement. Signal voltage should be approximately 75% of supply voltage when float switch is operated.

Pin #1 – Signal Voltage, Pin #4 – Power Voltage, Pin #3 – Ground

Shield Valve or On/Off Valve – Voltage on pin #1 should be equal to supply voltage when switch is operated in A direction. Voltage on pin #4 should be equal to supply voltage when switch is operated in B direction.

Pin #1 – Signal Voltage (Shield Open), Pin #4 – Signal Voltage (Shield Close), Pin #3 – Ground

If none of the valve will operate with electrical signal, verify that there is oil pressure at the valve inlet. Electrical Valves must have pilot supply oil to move the spools.

#### **Possible electronic problems.**

Open circuit (broken wire, bad connection or loose connection in switchbox).

Shorted to positive, ground, or other.

Incorrect voltage signal from joystick.

**Continued on next sheet**



## TROUBLESHOOTING - CONTINUED

### Hydraulic inspection.

Install 3 pressure gauges, on the valve inlet (use M port, or tee into hose supplying oil from the pump to the inlet), on the workport that is not operating, and on the LS port.

With the spools in Neutral

Gear pump – P should be approximately 200 psi, LS = 0, workport – pressure on cylinder or function.

LS pump – P should equal pump standby pressure, LS = 0, workport – pressure on cylinder or function.

Pressure Comp pump – P should equal pump standby pressure, LS = 0, workport – pressure on cylinder or function.

Gear pump – P should be approximately 200 psi higher than LS, LS should equal workport, workport – pressure on cylinder or function.

LS pump – P should be LS + standby, LS should equal workport, workport – pressure on cylinder or function.

Pressure Comp pump – P should equal pump standby pressure, LS should equal workport, workport – pressure on cylinder or function.

Operate one spool, measure pressures with function at end of travel or stop

Gear pump – P should equal valve relief setting or workport shock valve setting. LS should equal workport. Workport should equal relief setting or workport shock valve setting.

LS pump – P should equal valve relief setting, pump max pressure setting, or workport shock valve setting. LS should equal workport. Workport should equal relief setting, pump max pressure setting, or workport shock valve setting.

Pressure Comp pump – P should equal pump standby pressure, LS should equal workport. Workport should equal pump standby pressure or workport shock valve setting.

Operate more than one spool.

Gear pump – P should be approximately 200 psi higher than LS. LS should equal highest workport pressure. Workport – pressure on cylinder or function.

LS pump – P should be LS + standby pressure. LS should equal highest workport pressure. Workport – pressure on cylinder or function.

Pressure Comp pump. P should equal pump standby pressure. LS should equal highest workport pressure. Workport – pressure on cylinder or function.

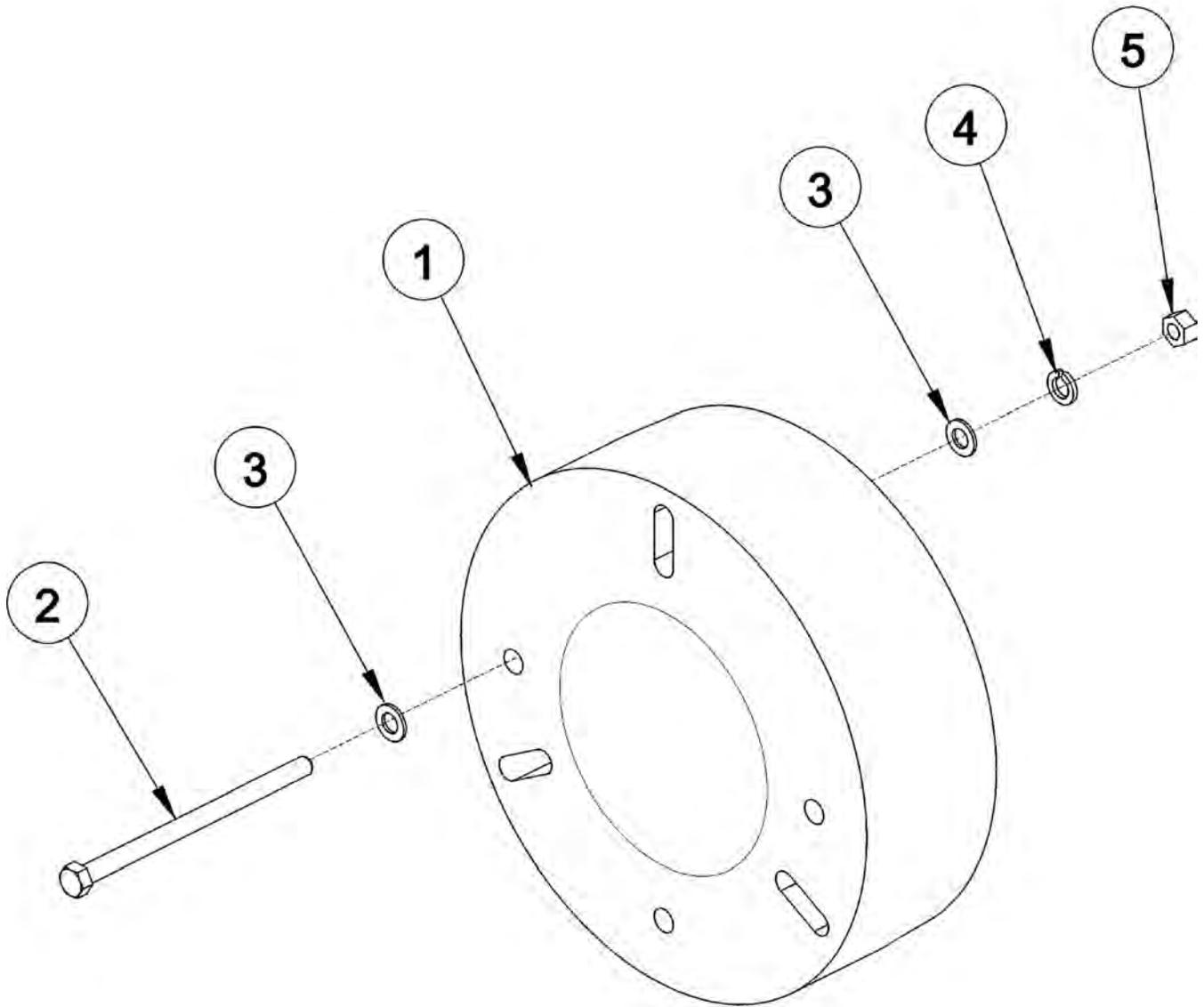
### Possible hydraulic problems.

Cylinder leak.

LS signal leaking to tank before reaching pump LS port.

Hydraulic system or pump not supplying flow to valve.

# WHEEL WEIGHT - BENGAL 18



| ITEM | PART NO. | QTY. | DESCRIPTION            |
|------|----------|------|------------------------|
| 1    | 30687    | 1    | 500# WHEEL WEIGHT      |
| 2    | 21956    | 4    | CAPSCREW,3/4" X 13",NC |
| 3    | 22021    | 8    | FLATWASHER,3/4"        |
| 4    | 21993    | 4    | LOCKWASHER,3/4"        |
| 5    | 21825    | 4    | HEX NUT,3/4",NC        |

COMMON BENGAL T4



**TIGER CORPORATION**  
**WARRANTY INFORMATION**

Tiger Corporation, 3301 N. Louise, Sioux Falls, South Dakota, warrants to the original Retail Customer, the new Tiger equipment is free of defects in material and workmanship. Any part of said equipment that in Tiger's adjustment, show evidence of such defects will be repaired or replaced without charge, provided that the failure of part(s) shall have occurred within twelve (12) months from the date of delivery of said equipment to the Retail Customer. Expendable components such as knives, oil, chain sprockets, skid shoes, knife mounting disks and the like are excluded but not limited to this warranty.

The Retail Customer must pay the transportation cost to and from the Tiger Dealer's service shop for warranty service. Warranty service will be performed by the Tiger Dealer from whom the equipment was purchased, in his service shop and during his regularly scheduled days and hours of operation.

All Tiger obligation under this warranty shall be terminated if the equipment is modified or altered in ways not approved in writing by Tiger, if repair parts other than genuine Tiger repair parts have been used, or if the equipment has been subject to misuse, neglect, accident, improper maintenance or improper operation.

Tiger Corporation reserves the right to make improvements in design or changes in specification at any time without incurring any obligation to owners of equipment previously sold.

No agent or person has authority to alter, add to or waive the above warranties which are agreed to be in the only warranties, representations or promises, expressed or implied, as to the quality or performance of the products covered and which do not include any implied warranty of merchantability or fitness. In no event will Tiger be liable for incidental or consequential damages or injuries, including, but not limited to, loss of profits, rental or substitute equipment or other commercial loss.

**THERE ARE NO WARRANTIES WHICH EXTEND  
BEYOND THOSE EXPRESSED HEREIN.**

It is the Purchasers obligation to sign the warranty registration form **AFTER** he / she has Read and Understands the Operation and Safety Instructions stated within this manual.

## ONE LAST WORD

This manual cannot possibly cover all of the potentially hazardous situations you will encounter. By being familiar, though, with the safety rules, operating and maintenance instructions in this manual you can help prevent accidents. The objective of this manual is to help make you a better operator. Remember, **SAFETY IS YOU!**



Your safety and the safety of those around you depends on **YOU**. Common sense should play a large role in the operation of this machine.

Since we at Tiger Corporation are constantly striving to improve our products, we reserve the right to change specifications or design at any time.





---