

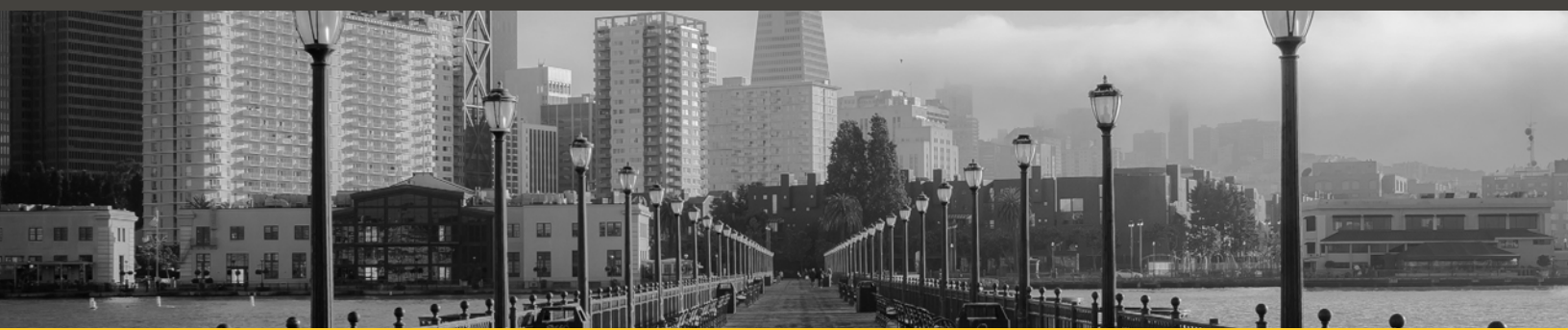
# NAFCO® GEORGETOWN DECORATIVE ALUMINUM ANCHOR BASE LIGHT POLES



Catalog # \_\_\_\_\_

Project \_\_\_\_\_

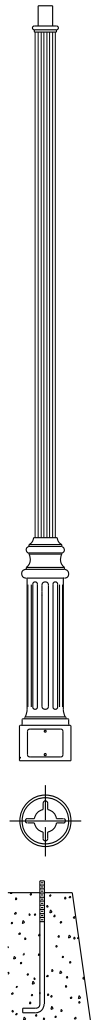
Comments \_\_\_\_\_



Proudly engineered and manufactured in the American Midwest – our NAFCO® family of professional-grade light pole products combines 50+ years of manufacturing expertise and top-notch Midwestern workmanship. Like all Will products, NAFCO® poles come supported by our unmatched design, engineering, and project support capabilities.

## Specifications

- **Pole Shaft** - Corrosion resistant 6063-T6 aluminum alloy available in round straight, tapered, or fluted aluminum tube.
- **Pole Top** - Available options include 2-3/8" or 3" x 4" pole top tenons. Custom drilling and top caps available upon request.
- **Anchor Base** - Structural cast aluminum one-piece 10" Georgetown style decorative base made of 356-T6 alloy. Includes ground provision.
- **Handhole / Base Door** - 5" high x 8" wide door for anchor bolt and wire access.
- **Anchor Bolts** - Anchor bolts conform to AASHTO M314-90 Grade 55 and are provided with four hex nuts, four lock washers and four flat washers. Bolts have an "L" bend on one end and are galvanized a minimum of 10" on the threaded end per ASTM A153.
- **Hardware** - All structural fasteners are galvanized high strength carbon steel. All non-structural fasteners are stainless steel.
- **Finish** - Powder coat finish consisting of weather resistant triglycidyl isocyanurate (TGIC) polyester thermoset powders that are electrostatically applied, oven cured and bonded to a minimum dry film thickness of 2.0 mils.
- **Design Criteria** - All Effective Projected Area (EPA's) are calculated to 1994 AASHTO and are to be used with the 1994 AASHTO map provided. These EPA's cannot be used with newer maps. Please contact the manufacturer if newer AASHTO calculations or other local building codes are required.



Please note that the finish pictured is a photographic reproductions of available finishes. There will be minor production variations.

**EPA Loading Guide (Commercial Design Criteria)**

Base Model	70mph w/ 1.3 Gust		80mph w/ 1.3 Gust		90mph w/ 1.3 Gust		100mph w/ 1.3 Gust		110mph w/ 1.3 Gust	
	Max EPA (sq ft)	Max Weight (lb)	Max EPA (sq ft)	Max Weight (lb)	Max EPA (sq ft)	Max Weight (lb)	Max EPA (sq ft)	Max Weight (lb)	Max EPA (sq ft)	Max Weight (lb)
HP-RSAGES-10-4040-C-AB-FP	12.8	100	9.4	100	7.1	100	5.5	100	4.5	100
HP-RSAGES-12-4040-C-AB-FP	9.8	100	7.1	100	5.2	100	3.9	100	3.2	100
HP-RSAGES-14-4040-C-AB-FP	6	100	4.2	100	3	100	2.2	100	1.8	100
HP-RSAGES-16-4040-C-AB-FP	4.8	100	3.2	100	2.1	100	1.4	100	1.1	100
HP-RSFGES-10-4040-C-AB-FP	15.2	100	11.3	100	8.6	100	6.6	100	5.2	100
HP-RSFGES-12-4040-C-AB-FP	11.8	100	8.6	100	6.3	100	4.8	100	3.6	100
HP-RSFGES-14-4040-C-AB-FP	7.3	100	5.2	100	3.7	100	2.7	100	1.9	100
HP-RSFGES-16-4040-C-AB-FP	5.6	100	3.7	100	2.6	100	1.7	100	1.1	100
HP-RTAGES-10-4030-C-AB-FP	12.8	100	9.4	100	7.1	100	5.5	100	4.5	100
HP-RTAGES-12-4030-C-AB-FP	9.8	100	7.1	100	5.2	100	3.9	100	3.2	100
HP-RTAGES-14-4030-C-AB-FP	6	100	4.2	100	3	100	2.2	100	1.8	100
HP-RTAGES-16-4030-C-AB-FP	4.8	100	3.2	100	2.1	100	1.4	100	1.1	100
HP-RSFGES-10-5050-C-AB-FP	18	100	13.3	100	10.1	100	7.8	100	6.1	100
HP-RSFGES-12-5050-C-AB-FP	14.1	100	10.2	100	7.5	100	5.6	100	4.2	100
HP-RSFGES-14-5050-C-AB-FP	8.8	100	6.2	100	4.4	100	3.1	100	2.2	100
HP-RSFGES-16-5050-C-AB-FP	6.8	100	4.5	100	3	100	2	100	1.1	100

1. The total combined EPA and weight of all fixtures, brackets, and other attachments mounting to a light pole cannot exceed the EPA and weight rating for a specified pole.
2. Standard EPA (Effective Projected Area) and weight values are based around standard commercial criteria (with 1.3 second gust factor) and AASHTO standards. **Specific light pole design standards are available from factory.**
3. Custom products, configurations, options, and accessories available from factory.
4. Satisfactory performance of light poles is dependent upon the structure being properly attached to a supporting foundation of adequate design.

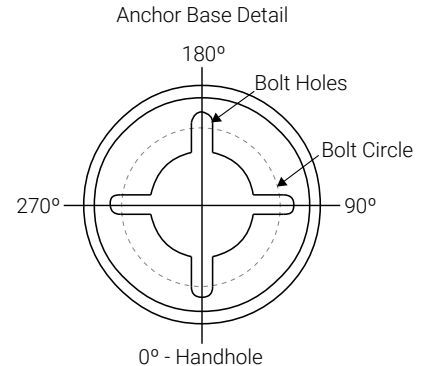
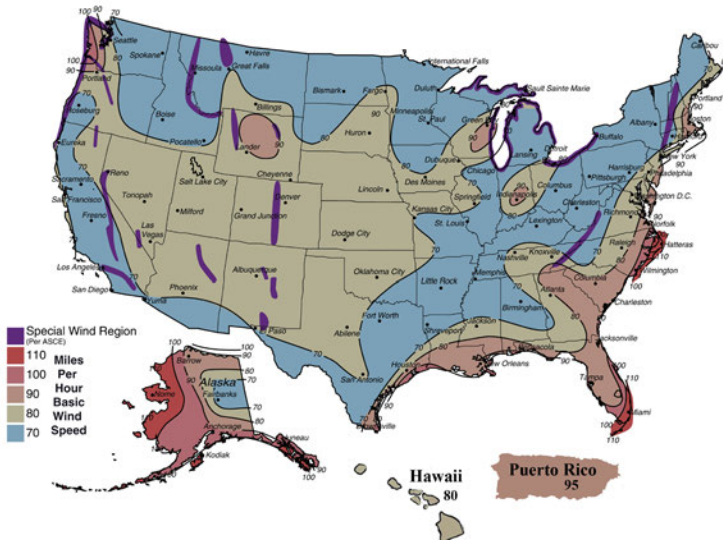
\*+ indicates a vibration dampener is standard.

**Designation & Dimensional Information**

Base Model	Pole Dimensions				Base Plate	Anchor Bolts
	Nominal Mounting Height	Base OD (in)	Top OD (in)	Style	Bolt Circle Diameter (in)	Dia x Length x Hook (in)
HP-RSAGES-10-4040-C-AB-FP	10'-0"	4	4	Round Straight	7	0.75 x 17.00 x 3.00
HP-RSAGES-12-4040-C-AB-FP	12'-0"	4	4	Round Straight	7	0.75 x 17.00 x 3.00
HP-RSAGES-14-4040-C-AB-FP	14'-0"	4	4	Round Straight	7	0.75 x 17.00 x 3.00
HP-RSAGES-16-4040-C-AB-FP	16'-0"	4	4	Round Straight	7	0.75 x 17.00 x 3.00
HP-RSFGES-10-4040-C-AB-FP	10'-0"	4	4	Straight Fluted	7	0.75 x 17.00 x 3.00
HP-RSFGES-12-4040-C-AB-FP	12'-0"	4	4	Straight Fluted	7	0.75 x 17.00 x 3.00
HP-RSFGES-14-4040-C-AB-FP	14'-0"	4	4	Straight Fluted	7	0.75 x 17.00 x 3.00
HP-RSFGES-16-4040-C-AB-FP	16'-0"	4	4	Straight Fluted	7	0.75 x 17.00 x 3.00
HP-RTAGES-10-4030-C-AB-FP	10'-0"	4	3	Round Tapered	7	0.75 x 17.00 x 3.00
HP-RTAGES-12-4030-C-AB-FP	12'-0"	4	3	Round Tapered	7	0.75 x 17.00 x 3.00
HP-RTAGES-14-4030-C-AB-FP	14'-0"	4	3	Round Tapered	7	0.75 x 17.00 x 3.00
HP-RTAGES-16-4030-C-AB-FP	16'-0"	4	3	Round Tapered	7	0.75 x 17.00 x 3.00
HP-RSFGES-10-5050-C-AB-FP	10'-0"	5	5	Straight Fluted	7	0.75 x 17.00 x 3.00
HP-RSFGES-12-5050-C-AB-FP	12'-0"	5	5	Straight Fluted	7	0.75 x 17.00 x 3.00
HP-RSFGES-14-5050-C-AB-FP	14'-0"	5	5	Straight Fluted	7	0.75 x 17.00 x 3.00
HP-RSFGES-16-5050-C-AB-FP	16'-0"	5	5	Straight Fluted	7	0.75 x 17.00 x 3.00

1. The total combined EPA and weight of all fixtures, brackets, and other attachments mounting to a light pole cannot exceed the EPA and weight rating for a specified pole.
2. Custom products, configurations, options, and accessories available from factory.
3. Satisfactory performance of light poles is dependent upon the structure being properly attached to a supporting foundation of adequate design.

\*+ indicates a vibration dampener is standard.



**Ordering Information**

Ex: HP-RSAGES-10-4040-C-AB-FP-BZ-D1-PRE075

Product Family	Design	Length	Base OD	Top OD	Thickness	Anchor Bolts	Finish Type	Painted Color	Fixture Mounting
HP = NAFCO®	RSAGES = Round Straight Aluminum Anchor Base	10-16 = 10-16'	40 = 4"	30 = 3"	C = 0.125"	AB = Includes Anchor Bolts	FP = Finish Painted	BZ = Bronze	PC = Cap Only, No Side Drilling
	RSFGES = Round Straight Fluted Aluminum Anchor Base	C = Custom	50 = 5"	40 = 4"		LAB = Less Anchor Bolts	C = Custom	MB = Medium Bronze	PL = Open Top, No Cap or Side Drilling
	RTAGES = Round Tapered Aluminum Anchor Base		C = Custom	50 = 5"		C = Custom		BK = Black	D1 = Drill Single
				C = Custom				WH = White	D2 = Drill 2@180
								GN = Green	D3 = Drill 3@120
								DBA = Dark Bronze Anodized	D4 = Drill 4@90
								MBA = Medium Bronze Anodized	D5 = Drill 2@90
								LBA = Light Bronze Anodized	D6 = Drill 3@90
								BKA = Black Anodized	P2 = 2.38" OD x 4" Long Tenon
								CNA = Clear Anodized	P10 = 3" OD x 4" Long Tenon
								RAL = Custom RAL Match	P9 = Custom Size Tenon
								C = Custom	

Options & Accessories (Add as Suffix)		
Option	Option	Accessories
SPL = Special Cut Length (Please Specify)	HHC = Hand Hole Cover (Specify Pole Part Number & Finish Type/Color)	AB075 = 3/4" Anchor Bolt & Hardware Kit - 0.75" x 17" x 3"
VD = Internal Vibration Dampener, Factory Installed	GFI = GFI Provision (Specify Pole Height & Orientation)	PRE075 = Pre-Ship Anchor Bolts - 0.75" x 17" x 3"
	CPL = NPT Pipe Coupling (Specify Pole Height, Orientation, & NPT Size)	

1. See previous pages for base model configurations. Consult factory or your sales rep for deviations from base models.
2. Please consult factory or your sales representative to verify options and accessories will work with your light pole part number.
3. Custom products, configurations, options, and accessories available from factory.