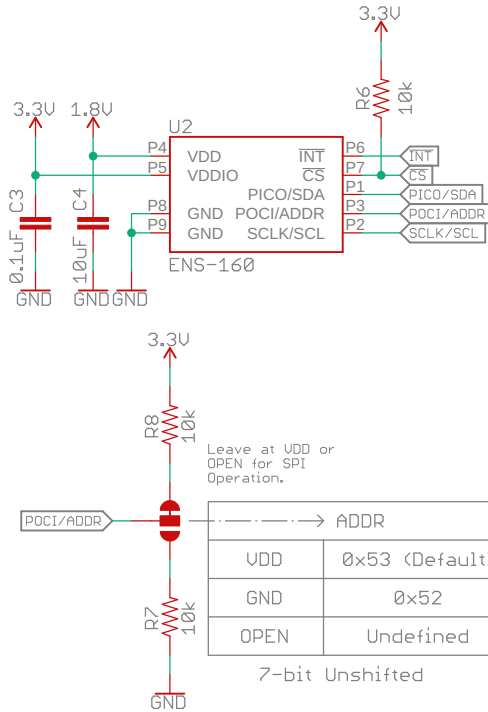


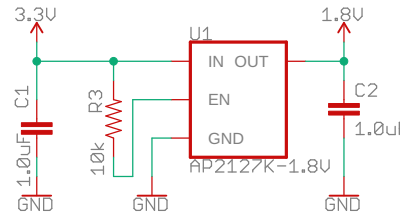
Digital Air Quality Sensor - ENS160

VDD Range: 1.71V - 1.98V
VDDIO Range: 1.71V - 3.6V



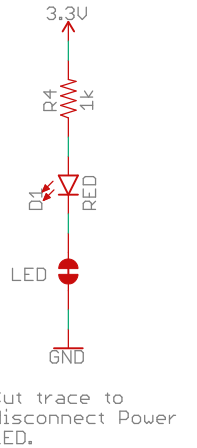
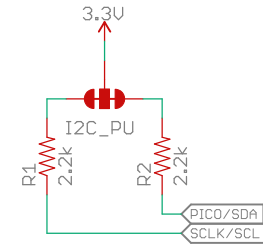
Voltage Regulation - AP2127K

Input Range: 2.6V - 6V

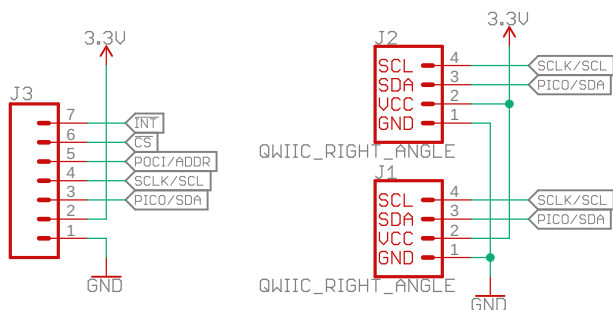


Jumpers

Cut traces to remove I2C pull-up resistors.



Connectors



Released under the Creative Commons Attribution Share-Alike 4.0 License
<https://creativecommons.org/licenses/by-sa/4.0/>



TITLE: SparkFun_Air_Quality_ENS160

Design by: Elias Santistevan

REV: v10

Date: 10/26/2022 8:09 AM

Sheet: 1/1