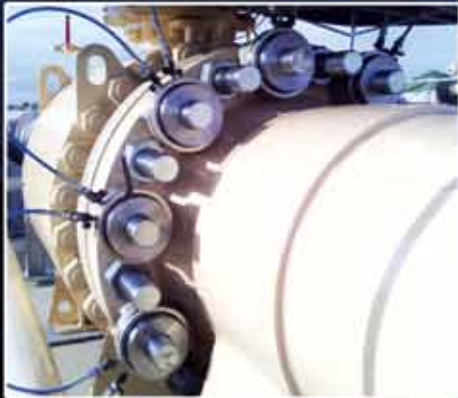


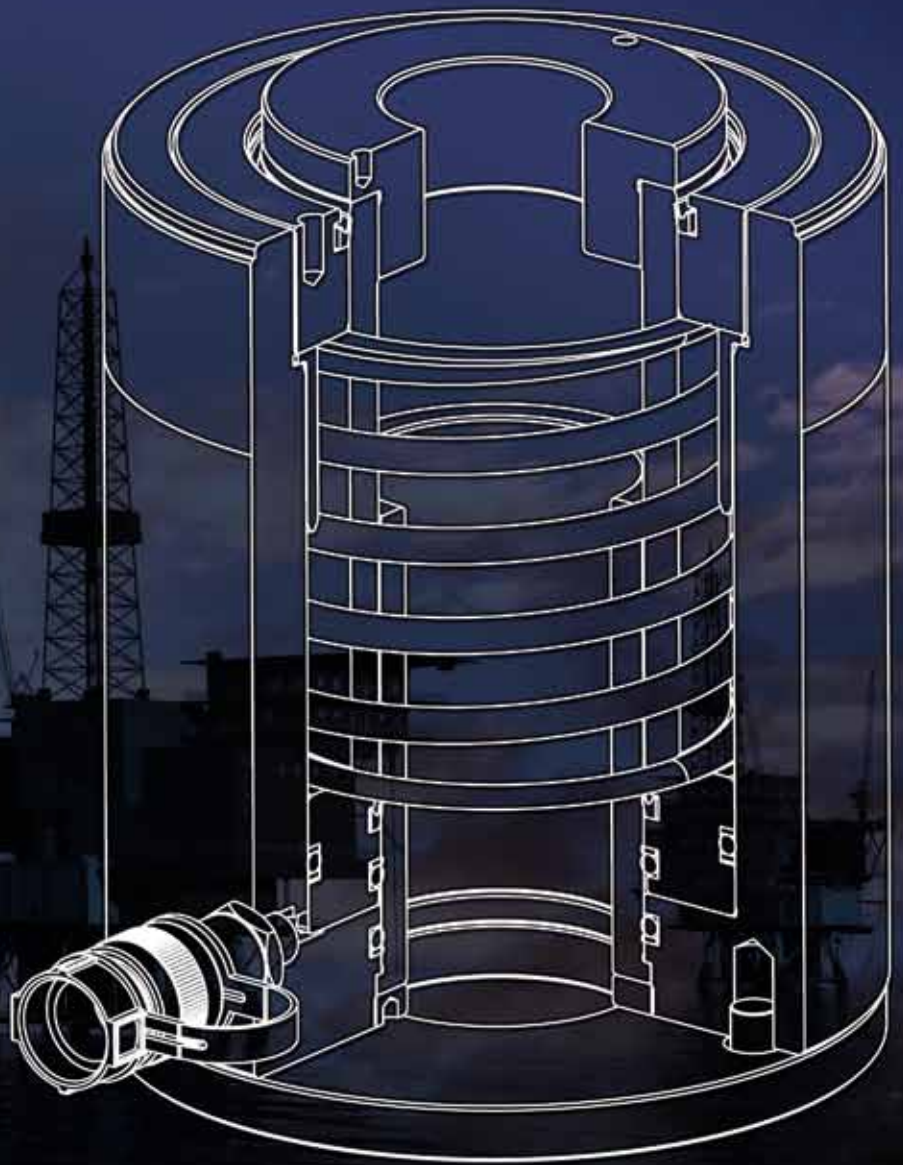
# DURAPAC<sup>®</sup>

ENGINEERED FOR RELIABILITY



**700 BAR HYDRAULIC TOOL SPECIALISTS**

CYLINDERS | JACKS | PUMPS | TOOLS



[WWW.DURAPAC.COM](http://WWW.DURAPAC.COM)

# DURAPAC<sup>®</sup>

## ENGINEERED FOR RELIABILITY

---

DURAPAC IS A LEADING FORCE IN HIGH PRESSURE HYDRAULIC TOOLS THAT BRINGS TOGETHER DECADES OF INDUSTRY EXPERIENCE WITH A GLOBAL MANUFACTURING BASE TO PRODUCE A COMPLETE RANGE OF QUALITY INDUSTRIAL TOOLS.

Durapac is used by a vast and diverse client base that includes construction, mining, engineering, railways, petrochemical, energy and defence workers. At Durapac, we are serious about reliability, not just in our products but also in our people, distribution, stock holding & after sales service. For our customers this means a better quality of product.

### OUR PROMISE

To supply safe, reliable tools with industry leading after sales back up & service underpinned by a comprehensive **3 year warranty**.

### WARRANTY

Durapac products come with a comprehensive **3 year warranty**. All products and services offered are subject to our standard terms and conditions which can be viewed on our website [www.durapac.com/termsandconditions](http://www.durapac.com/termsandconditions).

### OUR VALUES

#### 1. Safety

- All tools are designed to meet or exceed global standards for high force hydraulic tools
- All tools are physically tested in our distribution centre prior to despatch to our customers
- Individual serial numbers are permanently marked on each product and a test certificate is issued for all cylinders, tools and pumps

#### 2. Reliability

- Distributors trained, tested and certified to ensure customers receive the right equipment for the job
- All outside suppliers are required to hold approved quality system accreditation and all tool designs are field tested
- All tools come with a comprehensive **3 year warranty**

#### 3. Availability

- We have extensive stocks of finished goods to enable prompt delivery
- We have extensive stocks of spare parts for fast servicing and lower long term operating costs

### CERTIFICATION

All Durapac suppliers are required to hold approved quality system accreditation. All Durapac cylinders meet or exceed ANSI/ASME B30.1 safety standards.





<b>A</b>	<b>SPECIALTY LIFTING SYSTEM</b>	<b>4</b>	<b>D</b>	<b>SYSTEM ACCESSORIES</b>	<b>94</b>
	SYNCMaster - SYNCHRONOUS LIFT SYSTEM	4		HIGH PRESSURE HYDRAULIC FITTINGS	94
	SAFE D LOCK - HIGH TONNAGE LIFTING JACK AND STAND	8		HYDRAULIC GAUGES	96
	SAFE D LOCK + POWERDRIVE	10		HIGH PRESSURE HYDRAULIC HOSES	96
	<b>CYLINDERS</b>	<b>14</b>		IN LINE FLOW CONTROL VALVES	98
	CYLINDER SELECTION GUIDE	15		HYDRAULIC COUPLINGS	99
	RG-SERIES - SINGLE ACTING COLLAR THREAD	16		<b>BOLTING SOLUTIONS</b>	<b>100</b>
	RFJ-SERIES - SINGLE ACTING LOW HEIGHT FLAT	20		HYDRAULIC BOLT TENSIONER	100
	RLP-SERIES - SINGLE ACTING LOW PROFILE	22		DBT-SERIES	100
	RJ-SERIES - SINGLE ACTING HIGH TONNAGE JACKING	24		PAMH & PEMH-SERIES - BOLT TENSIONER POWER UNITS	106
	RHS-SERIES - SINGLE ACTING HOLLOW PISTON	26		HYDRAULIC TORQUE WRENCHES	108
	RHD-SERIES - DOUBLE ACTING HOLLOW PISTON	28		TW-SERIES - SQUARE DRIVE HYDRAULIC TORQUE WRENCHES	108
	RPLC-SERIES - SINGLE ACTING PANCAKE LOCKING COLLAR	30		LPC-SERIES - LOW PROFILE HYDRAULIC HEX WRENCHES	109
	RSLC-SERIES - SINGLE ACTING HIGH TONNAGE LOCKING COLLAR	32		LPC-SERIES - METRIC HEXAGON CASSETTES	110
	AR-SERIES - ALUMINIUM - SINGLE ACTING	36		LPC-SERIES - IMPERIAL HEXAGON CASSETTES	112
<b>B</b>	ARHS-SERIES - ALUMINIUM - SINGLE ACTING HOLLOW PISTON	38		PET & PAT-SERIES - TORQUE WRENCH POWER UNITS	114
	ARHD-SERIES - ALUMINIUM - DOUBLE ACTING HOLLOW PISTON	40		TORQUE WRENCH CALLIBRATION	141
	ARD-SERIES - ALUMINIUM - DOUBLE ACTING	42		CALLIBRATION CERTIFICATE OF ACCURACY	142
	ARSLC-SERIES - ALUMINIUM - SINGLE ACTING LOCKING COLLAR	44		REMOTE SPREADERS	116
	RAP-SERIES - ALUMINIUM - SINGLE ACTING (PULL)	46		DHS-SERIES	116
	RD-SERIES - DOUBLE ACTING COLLAR THREAD	48		HYDRAULIC NUT SPLITTERS	118
	RDHG-SERIES - DOUBLE ACTING HIGH TONNAGE	52		DNS-SERIES	118
	RSHG-SERIES - SINGLE ACTING HIGH TONNAGE	56		<b>PULLERS</b>	<b>120</b>
	RSH-SERIES - SINGLE ACTING HIGH TONNAGE	60		PR & PS-SERIES - 2/3 WAY HYDRAULIC PULLERS	120
	CSK-SERIES - RFJ KITS	64		<b>BEARING SEPARATORS</b>	<b>122</b>
	CYLINDER ACCESSORIES	65		ET-SERIES - TRI-SECTIONAL PLATES	122
	CYLINDER SEAL KITS	140		BS-SERIES - CROSS BEARING ATTACHMENTS	123
	<b>HAND PUMPS</b>	<b>66</b>		<b>HYDRAULIC CUTTERS</b>	<b>124</b>
	P-SERIES	66		HC-SERIES - REMOTE & SELF CONTAINED	124
	STEEL BODIED	68		<b>MAINTENANCE &amp; REPAIR KITS</b>	<b>126</b>
	ALUMINIUM BODIED	70		CRK-SERIES	126
	HIGH FLOW	72		<b>HYDRAULIC PRESSES</b>	<b>130</b>
	CYLINDER AND HAND PUMP KITS	73		HP-SERIES	130
	<b>ELECTRIC HYDRAULIC POWER UNITS</b>	<b>74</b>		<b>HYDRAULIC JACKS</b>	<b>132</b>
<b>C</b>	SPE-SERIES	74		DBJ-SERIES - BOTTLE JACKS	132
	PE-SERIES	80		DTJ-SERIES - TOE JACKS	134
	<b>AIR HYDRAULIC POWER UNITS</b>	<b>84</b>		DRJ-SERIES - RAIL JACKS	135
	DPR-SERIES - ROTARY	84		<b>POWER LIFT AIR BAGS</b>	<b>136</b>
	DPA-SERIES - RECIPROCATING	86		KPL-SERIES	136
	<b>DIESEL POWER UNITS</b>	<b>90</b>		AIR BAG ACCESSORIES	138
	PD-SERIES	90			
	<b>HYDROSTATIC POWER UNITS</b>	<b>92</b>			
	PHS-SERIES	92			

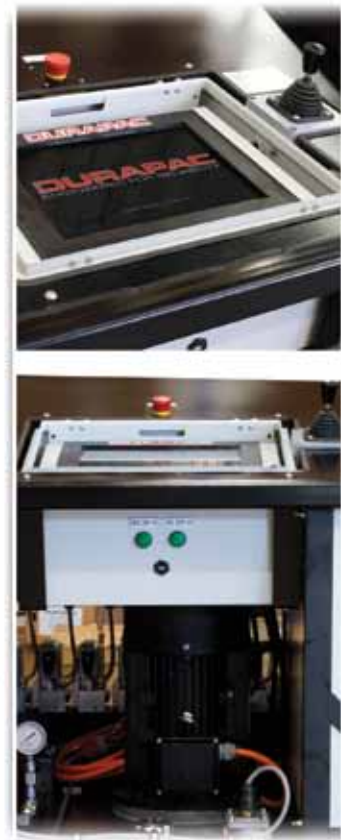
All Durapac product specifications are subject to change without notice. Please consult Durapac or one of its authorised distributors for verification of critical specifications.

## A

## SPECIALTY LIFTING SYSTEMS

**syncMASTER** - IS A COMPUTER CONTROLLED, HYDRAULIC LIFTING SYSTEM THAT PROVIDES THE HIGHEST DEGREE OF SAFETY TO PERSONNEL AND PROPERTY ASSOCIATED WITH LARGE-SCALE ENGINEERING / MAINTENANCE PROJECTS.

Parameters within the lifting system can be set to ensure that the lift does not proceed outside a predetermined lift plan. SyncMaster can in real time monitor and calculate cylinder loads, stroke lengths, total loads and the centre of gravity – all of which will provide the operator with an alarm and automatically stop the lift from continuing should they exceed set parameters. The centre of gravity feature is a function that defines a programmable rectangular or circular boundary outside of which the centre of a mass cannot move. If the centre of mass approaches this boundary, an alarm is given and the lift stops automatically. This is a key safety design feature for use in the movement of tall or unevenly loaded structures. SyncMaster allows for precision control and monitoring of complex lifting applications. Every configuration, process, alert and operator function is displayed and recorded in real time, thus reducing the costly overheads associated with manual control, measurements and comparisons to lift plans. All lift and alert data is collected during the lift process and this data can easily be exported to an application for analysis and planning of future lifts.



**THE *syncMASTER* MULTIPLE POINTS SYNCHRONOUS LIFT SYSTEM ALLOWS FOR UP TO 16 POWER PACKS TO BE CONTROLLED BY ONE MASTER UNIT, GIVING A MAXIMUM OF 128 INDIVIDUALLY CONTROLLED CYLINDER POINTS.**

The system constantly monitors cylinder positional and pressure data to safely and effortlessly achieve very accurate and repeatable load movements, regardless of weight distribution or size. One power pack controls up to eight single or double acting cylinders, or groups of cylinders. The 'X', 'Y' and 'Z' coordinates can be recorded for each cylinder, as required by the lift type. DURAPAC cylinder data may be selected from a drop down menu or manually entered for other cylinders. Pressure transducers allow pressure or load limits to be set for an individual cylinder or for all cylinders. Two linear transducers are available per lifting point to monitor cylinder and load displacement. Full data logging and real time graphical display is available for all lift variables.



**TOUCH SCREEN**

15 inch full colour touch screen withstands harsh environments. The glass is toughened making it both scratch and cut resistant.



**VARIABLE FLOW CONTROL**

Variable frequency drive motor gives a wider pump flow range. This is controlled by a joy stick controller that governs flow and directional control of the hydraulic cylinders.



**CONTROL VALVES**

High cycle, high speed solenoid valves allow precise flow control. All valves are leak free and have a 100% duty cycle.



**PRESSURE TRANSDUCERS**

Monitor load conditions at each lift point for maximum safety. Optional load cells are available for high precision weighing operations.



**STROKE TRANSDUCERS**

High precision 40 pulses per mm linear transducers combined with high speed counter cards achieve precise positional control. Various stroke transducers are available including internal cylinder design. Optional tilt meters are also available.



**ADJUSTABLE FLOW CONTROL VALVES**

Controls the flow during decent and can be preset and locked.



**LIFT MONITORING AND DATA STORAGE**

Full pressure and displacement data presentation are available on screen to monitor the lift in real time. Lift data are stored and able to be downloaded in a format suitable for importing into Excel for further analysis and record keeping. This gives a permanent record of the displacement and load on every cylinder at defined time intervals.



NUMBER OF LIFTING POINTS

**1 - 128**

ACCURACY

**0.5 mm**

MAXIMUM OPERATING PRESSURE

**700 bar**

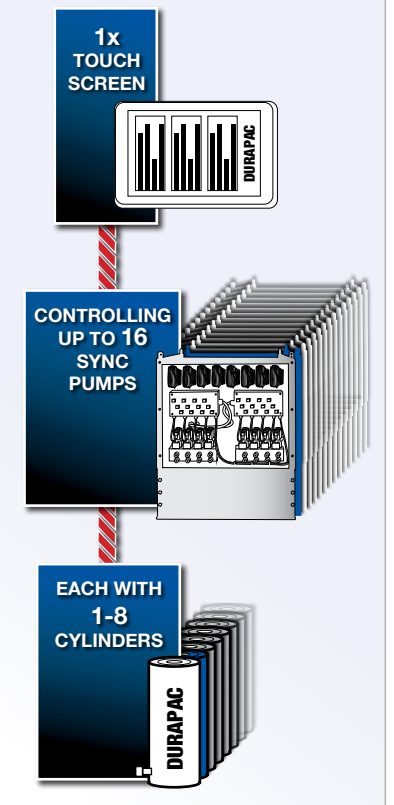
**A**

**SPECIALTY LIFTING SYSTEMS**

**Did you know...**

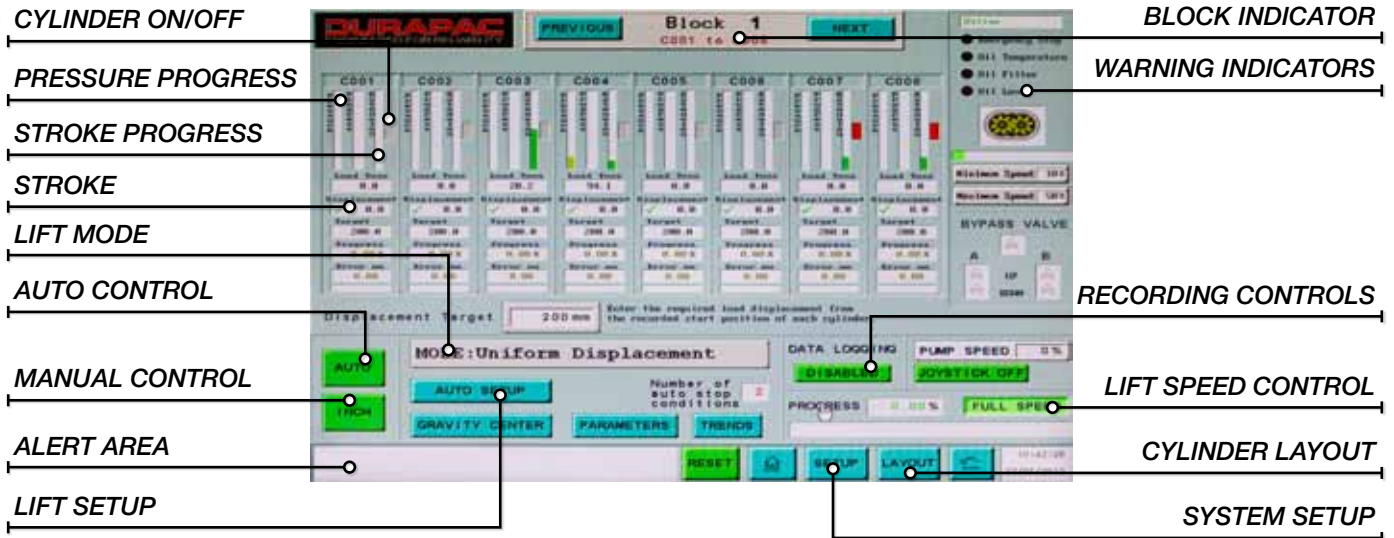


One touch screen can control 1-16 sync pumps which can each power 1-8 cylinders. Creating a total potential of 128 lift points



A

SPECIALTY LIFTING SYSTEMS



**1. JOYSTICK MANUAL ONLY**

Each cylinder can be enabled or disabled then advanced or retracted and is controlled via the joystick with variable flow to the required position.

**2. UNIFORM DISPLACEMENT**

In this mode a parallel or correction lift can be performed. Parallel Lift - where the displacement of all cylinders are the same. Correction Lift - adjust the lifting surface to bring it to a flat plane.

**3. TWO POINT DISPLACEMENT**

Tilt a load to a new plane along one axis.

**4. THREE POINT DISPLACEMENT**

Tilt a load to a new plane along two axes.

**5. STAGED LOAD CONTROL**

Apply a set or stepped load to test pylons, anchors, etc. Programme up to 4 load increments, duration (in minutes) and tolerances.

**6. RETURN ALL CYLINDERS**

Returns all cylinders to their fully retracted positions.

**7. PRE-LOAD ALL CYLINDERS**

Each cylinder advances until a predetermined load is reached and system automatically records this as the lift start position.

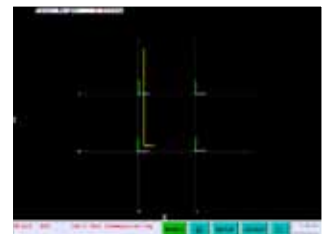


**8. TEST PULSE ALL CYLINDERS**

Determines and controls final placement accuracy prior to the actual lift. The system will automatically test each lift point to verify achievable placement accuracy. Flow adjustment settings are available and the system automatically compensates to achieve desired placement accuracy.

**9. GRAVITY CENTRE**

The centre of gravity feature is a function that defines a programmable rectangular or circular boundary outside of which the centre of a mass cannot move. If the centre of mass approaches this boundary, an alarm is given and the lift stops automatically. This is a key safety design feature for use in the movement of tall or unevenly loaded structures.



**EMERGENCY STOP**

located in prime location  
above touch screen

**TOUCH SCREEN**

contained within own control box

**PLC CONTROL BOX AND JOYSTICK**

able to be removed and used up  
to 5 metres from SyncMaster



**PLC AND JOYSTICK RECESSED**

inside the frame to avoid accidental damage  
and inclined to allow ease of operation

**POWER INDICATORS ON PLC**

and control panel boxes

**EXTERNAL USB PORT**

allows data to be downloaded for  
further analysis and record keeping

**OIL LEVEL & TEMPERATURE**

alarms are displayed on touchscreen

**DATA CABLE STORAGE REEL**

with removable handle

**DATA CABLES**

use military and DIN fittings

**CONTROL VALVES**

high cycle, high speed solenoid  
valves allow precise flow control

**HYDRAULIC OUTLETS**

eight outlets to control either  
single or double acting cylinders



**RIGID STEEL FRAME**

made from 50mm rolled hollow  
section (RHS) for extra strength

**POWDER COATED**

components enhance the  
appearance and reduce corrosion

**LIFTING POINTS**

for forklift

**LOCKABLE**

for security

**SELF CONTAINED**

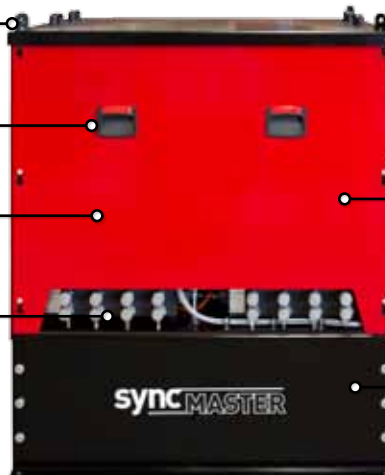
for ease of transport

**EXTERNAL COVERS**

are easily removed

**HYDRAULIC HOSES**

and data cables can be left connected  
even when covers are attached



**LIFTING POINTS**

for sling use

**WEATHER RESISTANT**

for field conditions

**300 L**

usable oil capacity with return line filter

DSM4038 - System Specifications		Standard Inclusions	Optional Items
Flow Rate	0.5-2.4 Lpm	<ul style="list-style-type: none"> <li>Module system standard with 8 lifting points</li> <li>Pressure transducers</li> <li>Analogue pressure gauge</li> <li>Adjustable pressure relief valves (Adv. &amp; Ret)</li> <li>Oil temperature alarm</li> <li>Oil filter alarm</li> <li>Emergency stop</li> <li>15" full colour touch screen</li> <li>Flow control valves</li> </ul>	<ul style="list-style-type: none"> <li>Externally mounted stroke encoder</li> <li>Internally mounted stroke encoder</li> <li>Dual encoder inputs per lift point</li> </ul>
Pressure Rating	700 bar		
Motor Size	4.0 kW		
Amps	8.85		
Hydraulic Outlets	8 x A & B ports		
Usable Oil Capacity	300 L		
Weight (Dry)	600 kg		
Dimensions (mm)	1120 W x 1210 L x 1350 H		

**A**

**SPECIALTY LIFTING SYSTEMS**



THE **SAFE D LOCK** JACK IS A REVOLUTIONARY DESIGN WITH THE OPERATORS' SAFETY PARAMOUNT. IT IS A LIFTING JACK AND RATED VEHICLE JACKING STAND FOR HEAVY MINING VEHICLES.

Australian designed and built to meet AS/NZS 2693:2007 standard for vehicle jacks, it also meets AS/NZS 2538:2004 standard for vehicle support stands. The jack uses patented oil-bathed internal locking quadrants that are constantly energised during the lifting process to give a fail safe operation. This locking mechanism automatically engages in the unlikely event of a hydraulic failure. The Safe D Lock jack is compact and portable and is the perfect choice for the workshop or service vehicle.



Model Number	Jack Capacity			Cylinder Effective Area (cm <sup>2</sup> )	Collapsed Height (mm)**	Stroke (mm)	Maximum Lift Height (mm)***	Weight (kg)	Oil Tank Capacity (L)
	Metric (tonne)	US (ton)*	(kN)						
SDL-07068	70	77	686	143	680	404	1,408	290	24
SDL-07081	70	77	686	143	812	535	1,680	320	24
SDL-10068	100	110	980	143	680	404	1,408	290	24
SDL-10081	100	110	980	143	812	535	1,680	320	24
SDL-15068	135	150	1,324	254	680	400	1,408	420	24
SDL-15096	135	150	1,324	254	960	685	1,680	460	24
SDL-20068	181	200	1,781	254	680	400	1,408	420	24
SDL-20096	181	200	1,781	254	960	685	1,680	460	24

\* Nominal Cylinder Capacity in ton - see kN values for actual capacity \*\* Includes load cap height of 22 mm

\*\*\* Maximum lift height for AS/NZS 2538:2004 Vehicle Support Stand Rating



### HYDRAULIC SYSTEM

is powered by a Gast® 3.9 kW air motor

### LOCK INDICATORS

confirm 'locked' and 'unlocked' status

### OIL RETURN LINE FILTER

included as standard

### LOCKING VALVES

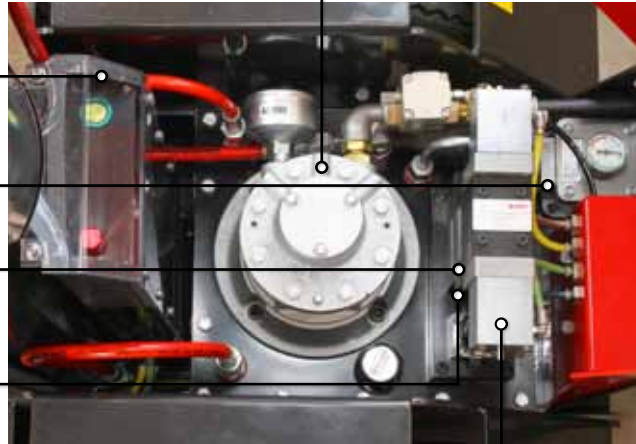
dual hydraulic locking valves for added safety

### LOAD LOWERING

counter balance valve for smooth controlled lowering of load

### PNEUMATIC CONTROL VALVES

for precise lifting and lowering

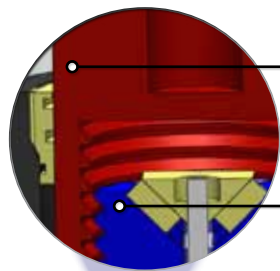


CAPACITY

**70 - 181 tonne**  
**(77 - 200 US ton)**

STROKE RANGE

**400 - 685 mm**



### PATENTED FAIL SAFE

spring loaded mechanical locking system. Oil-bathed and totally enclosed to prevent contamination. Can be locked in 13mm increments

### MECHANICAL QUADRANT LOCKS

designed and tested to hold a minimum 3 x rated jack capacity without failure

### SERRATED LOAD CAP

included as standard

### LOCK INDICATORS

confirm 'locked' and 'unlocked' status

### LIFTING POINT

allows easy forklift access with a 160mm max. tine width

### TILT ADJUSTABLE HANDLE

for ease of manoeuvring and compact storage

### ON BOARD

pneumatic filter/regulator and lubricator

### MODULAR ASSEMBLY

for quick onsite service of remote and control modules

### 5 METRE HOSE

steel cored, flexible conduit

### ALUMINIUM REMOTE PENDANT

with mounted lock and unlock indicators for added safety

### AIR INLET - TYPE A CLAW FITTING

working air pressure 5.6-7.0 bar (80-100 psi), air consumption range 2,265-4,530 Lpm (80-160 cfm)

### LOCKABLE ISOLATION VALVE

relieves downstream air for extra safety and security

### RESERVOIR SIGHT GAUGE

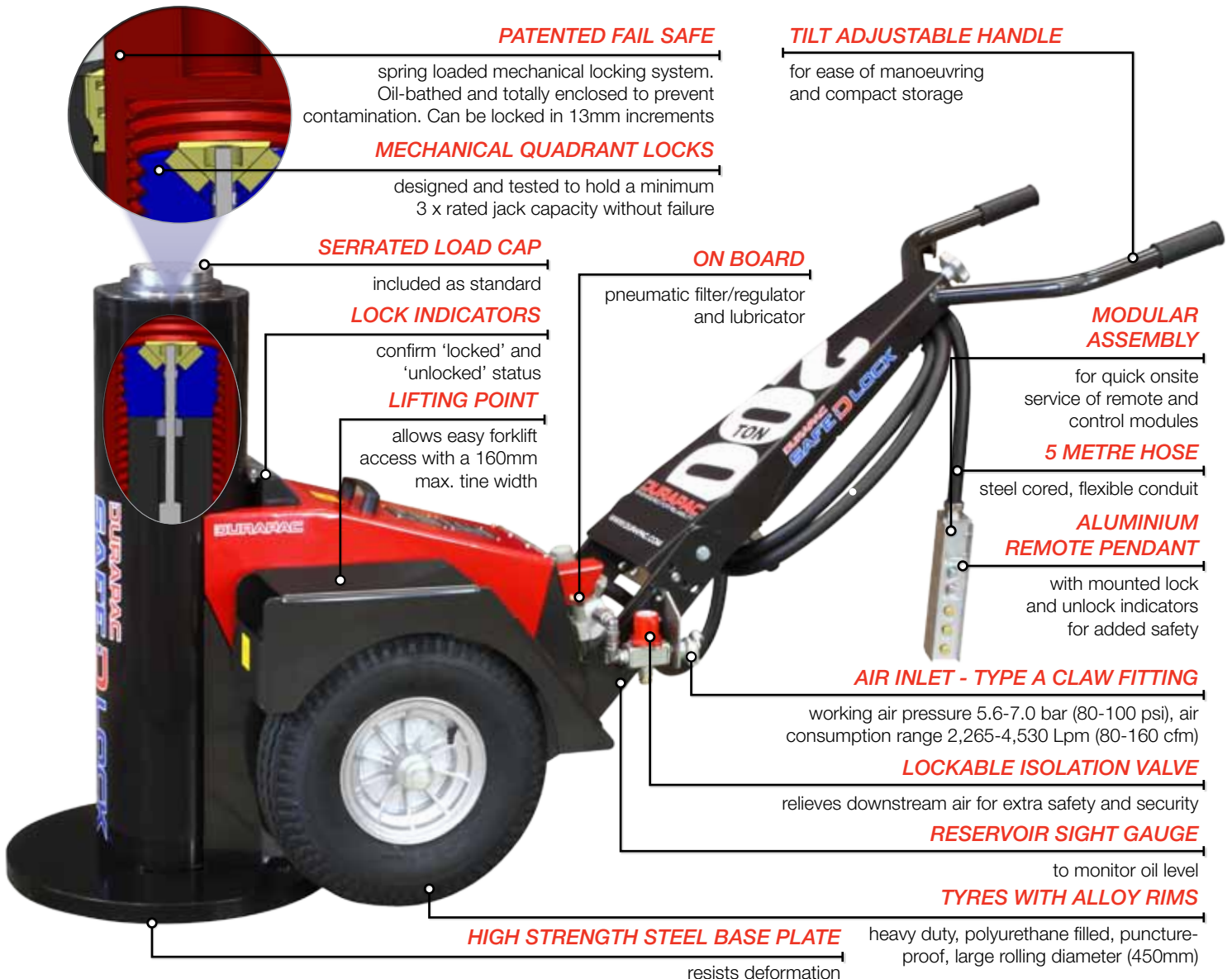
to monitor oil level

### TYRES WITH ALLOY RIMS

heavy duty, polyurethane filled, puncture-proof, large rolling diameter (450mm)

### HIGH STRENGTH STEEL BASE PLATE

resists deformation



A

THE ADDITION OF THE **POWERDRIVE** TRANSFORMS THE **SAFE D LOCK** JACK INTO A SELF-PROPELLED LIFTING JACK AND RATED VEHICLE JACKING STAND FOR HEAVY MINING VEHICLES.

Australian designed and built to meet AS/NZS 2693:2007 standard for vehicle jacks, it also meets AS/NZS 2538:2004 standard for vehicle support stands. The jack uses patented oil-bathed internal locking quadrants that are constantly energised during the lifting process to give a fail safe operation. This locking mechanism automatically engages in the unlikely event of a hydraulic failure. The **Safe D Lock** jack + **POWERDRIVE** is compact, portable and safe. It is the perfect choice for the workshop or service vehicle.

SPECIALTY LIFTING SYSTEMS

**SAFE D LOCK**  
+ **POWERDRIVE**



i

### How to order...

To order your **Safe D Lock** jack + **POWERDRIVE** simply choose your jack model from page 8 and add suffix " -PD " to the model number (e.g. SDL-15068-PD).

Each unit is supplied with two M18 Red Lithium batteries and one 230 VAC charger.

**1**

The **Safe D Lock jack + POWERDRIVE** utilises dual independent DC motors driving the wheels via a robust chain and sprocket design. Features include soft start, forward and reverse handle mounted switches, dead-man triggers and two M18 Red Lithium™ 5 Ah rechargeable batteries.



**1**

### Did you know...

The **Safe D Lock jack + POWERDRIVE** can self-propel up workshop slopes of **5 degrees**



#### DUAL BATTERIES

industry standard batteries

#### RANGE OF 2KM

per 5.0 Ah 18.0 VDC lithium-Ion battery

#### CHARGE INDICATOR

shows charge remaining in each battery

#### BATTERY SELECTOR

drive system operates off one battery at a time

#### OVERLOAD PROTECTION

with resettable standard 20 Amp auto fuse

#### SAFER & EASIER MANOUVERABILITY

no need to connect to air supply to move jack



#### THREE POSITION TOGGLE

F (Forward) N (Neutral) R (Reverse)

#### IP 65 SWITCHES

for all weather environments

#### INDEPENDANT DEADMAN SWITCHES

for easy manoeuvring and safety

#### DUAL INDEPENDENT DRIVES

forward & reverse independant drive each handle



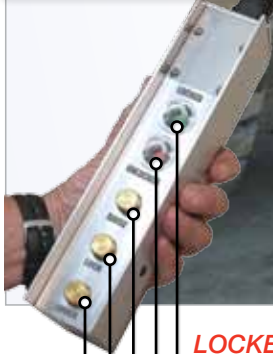
**A**

**SPECIALTY LIFTING SYSTEMS**



**Did you know...**

That a 5 metre long remote pendant and jack mounted mechanical indicators allow the jack's operator to work at a safe distance from the vehicle being lifted.



**LOCKED INDICATOR**

When the green indicator is displayed this confirms to the operator that the jack is ready to be mechanically locked.

**UNLOCKED INDICATOR**

When the red indicator is displayed it confirms to the operator that the jack **IS NOT** mechanically locked and that the quadrants are disengaged during lowering.

**RAISE CONTROL BUTTON**

When the Raise control button is held down the jack will advance, the green indicator will display and retract through this process as the quadrants are engaged and disengaged as part of the jack's fail safe mechanism.

**LOCK CONTROL BUTTON**

During lifting, the green indicator confirms that the quadrants are engaged and ready to lock. The operator then releases the Raise control button and presses the Lock control button; mechanically locking the jack. A green jack mounted mechanical indicator confirms to the operator that the jack is mechanically locked.

**LOWER CONTROL BUTTON**

When the Lower control button is held down the jack will automatically disengage the locking quadrants and retract via a smooth, load lowering hydraulic counter balance valve.



**Lock Indicators**

The Safe D Lock jack is equipped with jack mounted mechanical indicators to confirm to the operator when the unit is mechanically locked as a vehicle support stand.

**RED INDICATOR**

lock quadrants are retracted and in an unlocked state.

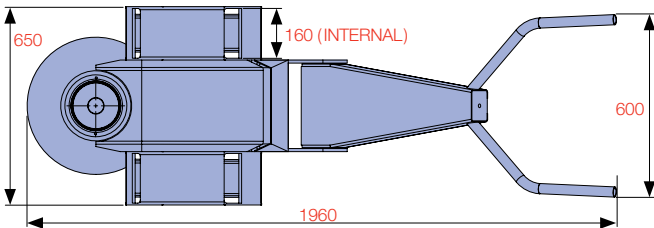
**GOLD INDICATOR**

lock quadrants are engaged and ready to be locked.

**GREEN & GOLD INDICATOR**

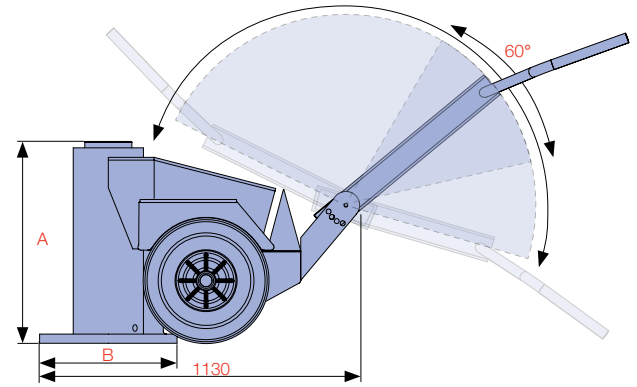
lock quadrants are holding load mechanically.





Model Number	A Collapsed Height (mm)	B Base Plate Diameter (mm)
SDL-07068 SDL-10068	680	505
SDL-07081 SDL-00081	812	505
SDL-15068 SDL-20068	680	460
SDL-15096 SDL-20096	960	520

**OPTIONAL EXTENSIONS**



**WARNING...**

No more than one extension to be used.

**Did you know...**

There is onboard storage for extensions up to 300mm in length.



**SERRATED STEEL LOAD CAP**

included as standard  
**ALUMINIUM 7075**

manufactured with  
hard anodising

**OPTIONAL SERRATED  
TILT SADDLE**

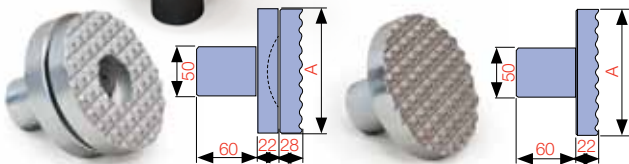
5° maximum tilt to  
minimise side loading

**KNURLED FINISH**

provides anti slip grip  
for better handling

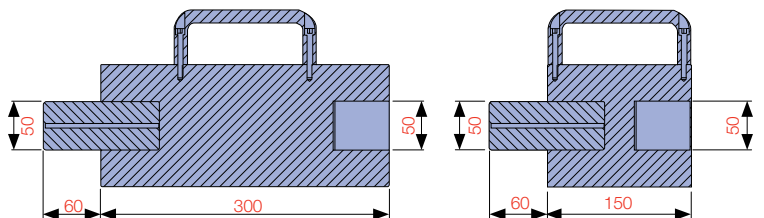
**BOLT ON CARRY HANDLE**

for easy handling and carrying



**SDS TILT SADDLE**

**SDLC LOAD CAP**



**EXTENSION 300mm**

**EXTENSION 150mm**

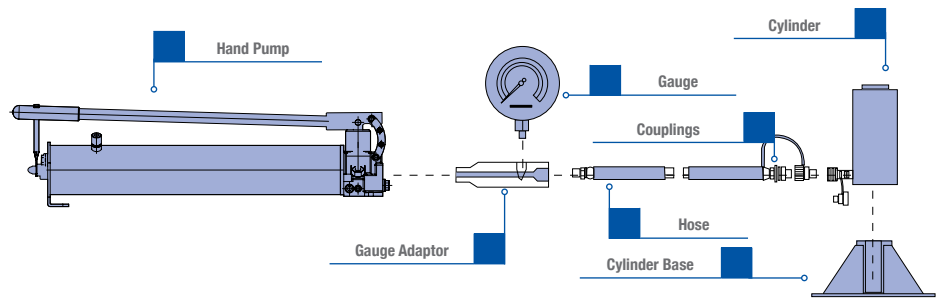
Model Number	Capacity (Tons)	Description	Height (mm)	Diameter (mm) 'A'	Total Length (mm)	Spigot Depth (mm)	Spigot Diameter (mm)	Weight (kg)
SDE100-150	70/100	150 mm Extension **	150	112	210	60	50	7.0
SDE100-300	70/100	300 mm Extension **	300	112	360	60	50	13.0
SDLC-100	70/100	Serrated Steel Load Cap *	22	112	82	60	50	3.0
SDS-100	70/100	Serrated Tilt Saddle **	50	112	110	60	50	5.0
SDE150-150	150	150 mm Extension **	150	126	210	60	50	7.0
SDE150-300	150	300 mm Extension **	300	126	360	60	50	13.0
SDLC-150	150	Serrated Steel Load Cap *	22	126	82	60	50	3.0
SDS-150	150	Serrated Tilt Saddle **	50	126	110	60	50	5.0
SDE200-150	200	150mm Extension **	150	140	210	60	50	8.0
SDE200-300	200	300 mm Extension **	300	140	360	60	50	15.0
SDLC-200	200	Serrated Steel Load Cap*	22	126	82	60	50	4.0
SDS-200	200	Serrated Tilt Saddle**	50	126	110	60	50	6.0

\* Supplied as standard

\*\* Optional item

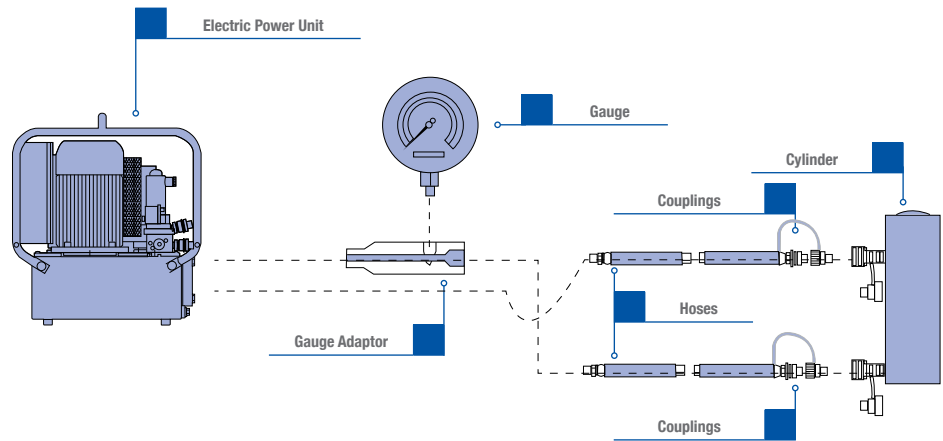
**1** *MANUAL POWERED SYSTEM*

Single acting manual hand pump jacking system



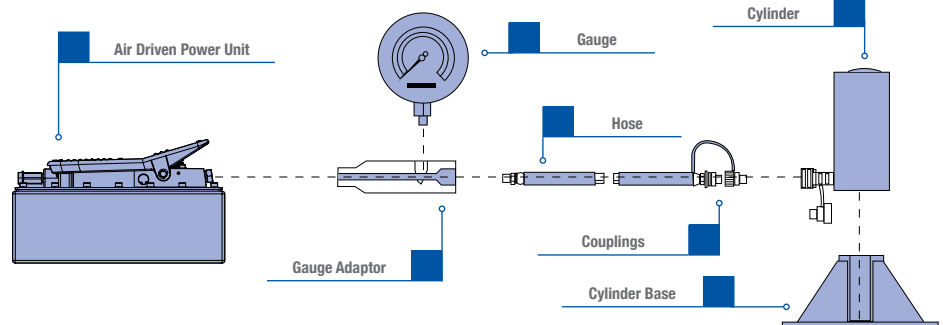
**2** *ELECTRIC POWERED SYSTEM*

Double acting jacking system with power unit



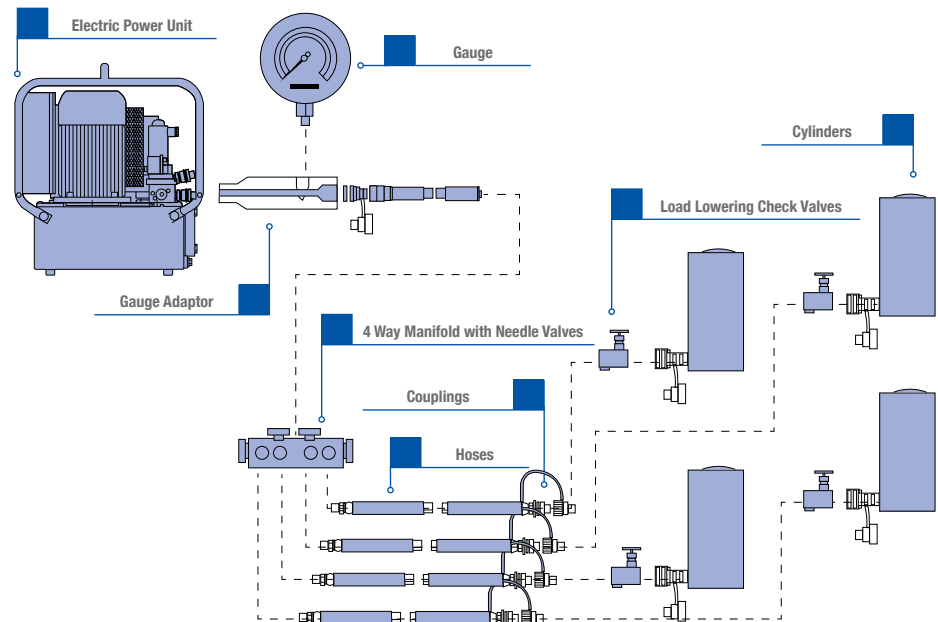
**3** *AIR POWERED SYSTEM*

Single acting air driven jacking system



**4** *ELECTRIC POWERED SYSTEM*

Single acting jacking system with 4 way manifold and load lowering check valves





	<b>STROKE</b> 16-362 mm <b>CAPACITY</b> 5-100 ton	The RG-Series is a general purpose spring return cylinder designed for use in production, maintenance and fabrication applications.	<b>RG   SERIES</b>	<b>16</b>
	<b>STROKE</b> 6-16 mm <b>CAPACITY</b> 5-150 ton	The RFJ-Series is a spring return, compact flat cylinder designed for use in narrow spaces and areas with low overhead clearance.	<b>RFJ   SERIES</b>	<b>20</b>
	<b>STROKE</b> 38-62 mm <b>CAPACITY</b> 10-100 ton	The RLP-Series is a single acting spring return low profile cylinder. Its compact design combines maximum stroke with low collapsed height.	<b>RLP   SERIES</b>	<b>22</b>
	<b>STROKE</b> 50-100 mm <b>CAPACITY</b> 150-200 ton	The RJ-Series is a single acting spring return cylinder. It is ideally suited to jacking, testing, weighing and general maintenance applications.	<b>RJ   SERIES</b>	<b>24</b>
	<b>STROKE</b> 8-155 mm <b>CAPACITY</b> 12-100 ton	The RHS-Series is a spring return hollow piston rod cylinder.	<b>RHS   SERIES</b>	<b>26</b>
	<b>STROKE</b> 38-258 mm <b>CAPACITY</b> 30-150 ton	The RHD-Series is a double acting hollow piston rod cylinder.	<b>RHD   SERIES</b>	<b>28</b>
	<b>STROKE</b> 45-50 mm <b>CAPACITY</b> 60-500 ton	The RPLC-Series is a load return pancake locking collar cylinder. It is a compact design that features a threaded piston rod and lock ring.	<b>RPLC   SERIES</b>	<b>30</b>
	<b>STROKE</b> 50-300 mm <b>CAPACITY</b> 50-1,000 ton	The RSLC-Series is a high tonnage load return locking collar cylinder.	<b>RSLC   SERIES</b>	<b>32</b>
	<b>STROKE</b> 50-254 mm <b>CAPACITY</b> 30-150 ton	The AR-Series is a lightweight high strength spring return aluminium cylinder.	<b>AR   SERIES</b>	<b>36</b>
	<b>STROKE</b> 75-152 mm <b>CAPACITY</b> 30-60 ton	The ARHS-Series is a spring return hollow piston rod aluminium cylinder.	<b>ARHS   SERIES</b>	<b>38</b>
	<b>STROKE</b> 50-254 mm <b>CAPACITY</b> 30-150 ton	The ARHD-Series is a double acting hollow piston rod aluminium cylinder.	<b>ARHD   SERIES</b>	<b>40</b>
	<b>STROKE</b> 50-330 mm <b>CAPACITY</b> 30-150 ton	The ARD-Series is a lightweight double acting aluminium cylinder.	<b>ARD   SERIES</b>	<b>42</b>
	<b>STROKE</b> 51-254 mm <b>CAPACITY</b> 30-150 ton	The ARSLC-Series is a single acting spring return locking collar aluminium cylinder.	<b>ARSLC   SERIES</b>	<b>44</b>
	<b>STROKE</b> 150 mm <b>CAPACITY</b> 10-50 ton	The RAP-Series is a lightweight spring return aluminium pull cylinder used in steel structural works, ship building and tower tensioning.	<b>RAP   SERIES</b>	<b>46</b>
	<b>STROKE</b> 57-1,219 mm <b>CAPACITY</b> 10-500 ton	The RD-Series is a versatile and heavy duty double acting cylinder for use in industrial applications requiring high power and precision.	<b>RD   SERIES</b>	<b>48</b>
	<b>STROKE</b> 50-300 mm <b>CAPACITY</b> 50-1,600 ton	The RDHG-Series is a double acting high tonnage cylinder range up to 1,600 ton capacity. For use in high load applications.	<b>RDHG   SERIES</b>	<b>52</b>
	<b>STROKE</b> 50-300 mm <b>CAPACITY</b> 50-1,000 ton	The RSHG-Series is a single acting load return high tonnage cylinder range up to 1,000 ton capacity.	<b>RSHG   SERIES</b>	<b>56</b>
	<b>STROKE</b> 50-300 mm <b>CAPACITY</b> 50-1,000 ton	The RSH-Series is a single acting load return high tonnage cylinder offering the lowest collapsed height.	<b>RSH   SERIES</b>	<b>60</b>
	<b>CAPACITY</b> 5-30 ton	Cylinder stack plate kits are an effective economical solution where an extra increase in closed height is desirable.	<b>CSK   SERIES</b>	<b>64</b>
			<b>CYLINDER ACCESSORIES</b>	<b>65</b>

THE **RG-SERIES** IS A GENERAL PURPOSE SPRING RETURN CYLINDER DESIGNED FOR USE IN PRODUCTION, MAINTENANCE AND FABRICATION APPLICATIONS.

All RG-Series cylinders feature a hard chrome cylinder bore and piston rod for maximum corrosion resistance. When combined with bronze overlay on the piston bearing area and low friction surface treatment on the gland nut, this cylinder is suitable for demanding applications. Cylinder body mounting threads and base mounting holes are included on most models. Optional TSX tilt saddles are available for all models from RG-102 to RG-10010.



EXCEEDS  
ANSI/ASME B30.1  
SAFETY  
STANDARDS





**HARDENED GROOVED SADDLE**

to prevent piston rod damage. Optional tilt saddles available

**GLAND NUT**

with low friction coating withstands full dead end loading

**HARD CHROME PLATED PISTON ROD**

for maximum corrosion resistance and cylinder life

**HARD CHROME PLATED BORE**

for maximum corrosion resistance and cylinder life

**BRONZE OVERLAY**

on piston bearing area reduces side load induced damage and extends cylinder life

**CYLINDER BODY MOUNTING THREADS**

piston rod threads and base mounting holes permit easy fixture

**PISTON ROD WIPER**

reduces contaminants

**RETURN SPRINGS**

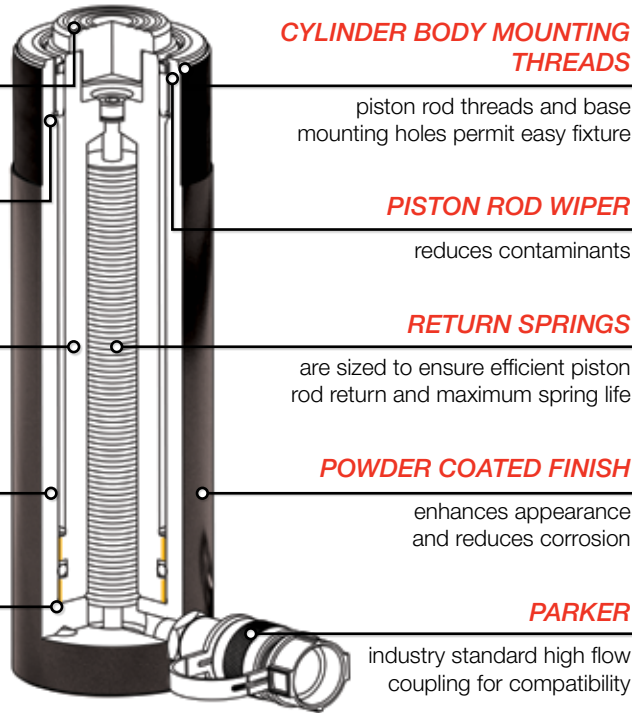
are sized to ensure efficient piston rod return and maximum spring life

**POWDER COATED FINISH**

enhances appearance and reduces corrosion

**PARKER**

industry standard high flow coupling for compatibility



CAPACITY

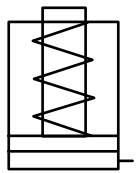
**5 - 100 ton**

STROKE

**16 - 362 mm**

MAXIMUM OPERATING PRESSURE

**700 bar**



**B**

**CYLINDERS**

**Did you know...**

Durapac offers a range of piston and base attachments to suit the **RG-series** cylinders. Refer to Cylinder Accessories for more details.



26 POINT TANK JACKING SYSTEM

**MOUNTING BLOCKS**



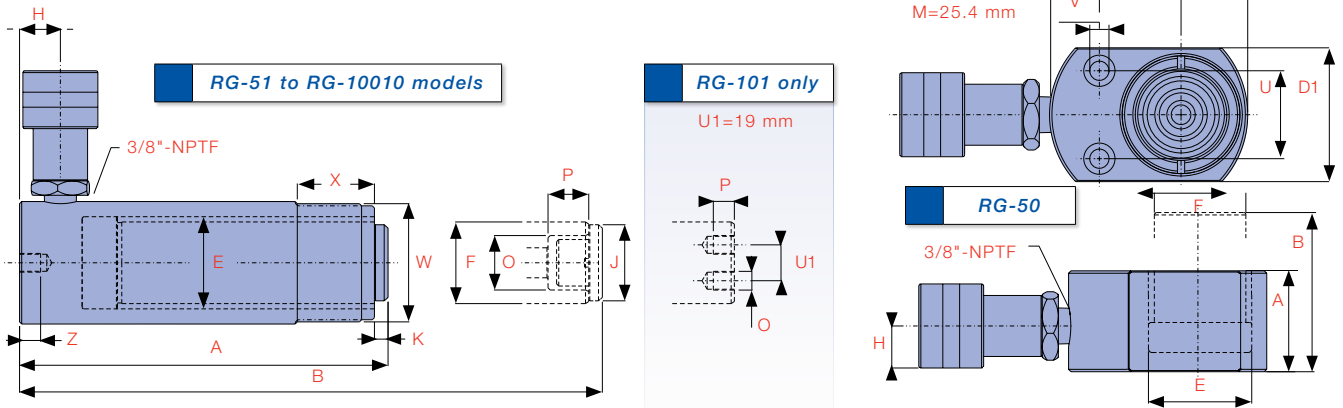
**BASE AND PISTON CLEAVISES**



**JACKING BASES**



**B**  
CYLINDERS

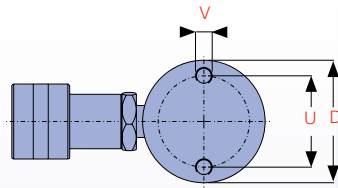


Model Number	Cylinder Capacity ton* / kN	Stroke (mm)	Cylinder Effective Area (cm <sup>2</sup> )	Oil Capacity (cm <sup>3</sup> )	A Collapsed Height (mm)	B Extended Height (mm)	D Outside Diameter (mm)	E Cylinder Bore Diameter (mm)	F Piston Rod Diameter (mm)	H Base to Advance Port (mm)	J Standard Saddle Diameter (mm)	K Saddle Protrusion from Piston Rod (mm)	
RG-50	5	45	16	6.5	10	41	57	58	28.7	25.4	19	**	**
RG-51		45	25	6.5	16	110	135	38	28.7	25.4	19	25	6
RG-53		45	76	6.5	49	165	241	38	28.7	25.4	19	25	6
RG-55		45	127	6.5	82	215	342	38	28.7	25.4	19	25	6
RG-57		45	177	6.5	114	273	450	38	28.7	25.4	19	25	6
RG-59		45	232	6.5	150	323	555	38	28.7	25.4	19	25	6
RG-101	10	101	26	14.5	38	89	115	57	42.9	38.1	19	-	-
RG-102		101	54	14.5	78	121	175	57	42.9	38.1	19	35	6
RG-104		101	105	14.5	152	171	276	57	42.9	38.1	19	35	6
RG-106		101	156	14.5	226	247	403	57	42.9	38.1	19	35	6
RG-108		101	203	14.5	294	298	501	57	42.9	38.1	19	35	6
RG-1010		101	257	14.5	372	349	606	57	42.9	38.1	19	35	6
RG-1012		101	304	14.5	440	400	704	57	42.9	38.1	19	35	6
RG-1014		101	356	14.5	515	450	806	57	42.9	38.1	19	35	6
RG-151	15	142	25	20.3	51	124	149	69	50.8	41.4	19	38	9
RG-152		142	51	20.3	103	149	200	69	50.8	41.4	19	38	9
RG-154		142	101	20.3	205	200	301	69	50.8	41.4	19	38	9
RG-156		142	152	20.3	308	271	423	69	50.8	41.4	25	38	9
RG-158		142	203	20.3	411	322	525	69	50.8	41.4	25	38	9
RG-1510		142	254	20.3	515	373	627	69	50.8	41.4	25	38	9
RG-1512		142	305	20.3	618	423	728	69	50.8	41.4	25	38	9
RG-1514		142	356	20.3	721	474	830	69	50.8	41.4	25	38	9
RG-251	25	232	26	33.2	86	139	165	85	65.0	57.2	25	50	10
RG-252		232	50	33.2	166	165	215	85	65.0	57.2	25	50	10
RG-254		232	102	33.2	339	215	317	85	65.0	57.2	25	50	10
RG-256		232	158	33.2	524	273	431	85	65.0	57.2	25	50	10
RG-258		232	210	33.2	697	323	533	85	65.0	57.2	25	50	10
RG-2510		232	261	33.2	866	374	635	85	65.0	57.2	25	50	10
RG-2512		232	311	33.2	1032	425	736	85	65.0	57.2	25	50	10
RG-2514		232	362	33.2	1205	476	838	85	65.0	57.2	25	50	10
RG-308	30	295	209	42.1	878	387	596	101	73.2	57.2	57	50	10
RG-502	50	498	51	71.2	363	176	227	127	95.3	79.5	33	71	2
RG-504		498	101	71.2	719	227	328	127	95.3	79.5	33	71	2
RG-506 <sup>†</sup>		498	159	71.2	1,132	282	441	127	95.3	79.5	35	71	2
RG-5013		498	337	71.2	2,400	460	797	127	95.3	79.5	35	71	2
RG-756	75	718	156	102.6	1,600	285	441	146	114.3	95.3	30	71	5
RG-7513		718	333	102.6	3,415	492	825	146	114.3	95.3	30	71	5
RG-1004	100	933	102	133.3	1,354	205	306	177	130.3	104.9	30	71	2
RG-1006		933	168	133.3	2,239	357	525	177	130.3	104.9	41	71	2
RG-1008		933	203	133.3	2,708	357	560	177	130.3	104.9	41	71	2
RG-10010		933	260	133.3	3,465	449	709	177	130.3	104.9	41	71	2

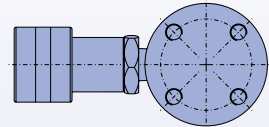
\* Nominal Cylinder Capacity in ton - see kN values for actual capacity

\*\* RG-50 Cylinder has non-removable grooved saddle and no collar thread

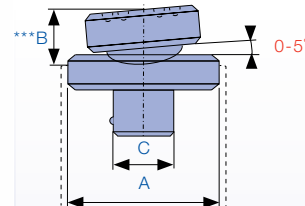
† RG-506 cylinder will not fit into jacking base without welded handle being removed



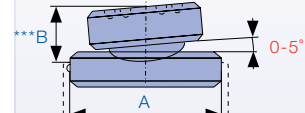
RG-51 to RG-5013 models



RG-1006 and RG-10010 models



TSX-10, 50



TSX-100

B

CYLINDERS

O Piston Rod Internal Thread	P Piston Rod Thread Length (mm)	Base Mounting Holes			W Collar Thread	X Collar Thread Length (mm)	Weight (kg)	Optional Tilt Saddle				Model Number	Handle Type
		U Bolt Circle Diameter (mm)	V Thread	Z Thread Depth (mm)				Model Number	A (mm)	***B (mm)	C (mm)		
**	**	28	5.6mm HOLE	-	-	-	1.0	-	-	-	-	RG-50	
3/4"-16UNF	14	25	1/4"-20UNC	14	1-1/2"-16UN	28	1.0	-	-	-	-	RG-51	
3/4"-16UNF	14	25	1/4"-20UNC	14	1-1/2"-16UN	28	1.5	-	-	-	-	RG-53	
3/4"-16UNF	14	25	1/4"-20UNC	14	1-1/2"-16UN	28	1.9	-	-	-	-	RG-55	
3/4"-16UNF	16	25	1/4"-20UNC	14	1-1/2"-16UN	28	2.4	-	-	-	-	RG-57	
3/4"-16UNF	16	25	1/4"-20UNC	14	1-1/2"-16UN	28	2.8	-	-	-	-	RG-59	
#10-24UNC	6	39	5/16"-18UNC	12	2-1/4"-14UN	26	1.8	-	-	-	-	RG-101	
1"-8UNC	19	39	5/16"-18UNC	12	2-1/4"-14UN	26	2.3	TSX-10	35	20	22	RG-102	
1"-8UNC	19	39	5/16"-18UNC	12	2-1/4"-14UN	26	3.3	TSX-10	35	20	22	RG-104	
1"-8UNC	19	39	5/16"-18UNC	12	2-1/4"-14UN	26	4.4	TSX-10	35	20	22	RG-106	
1"-8UNC	19	39	5/16"-18UNC	12	2-1/4"-14UN	26	5.4	TSX-10	35	20	22	RG-108	
1"-8UNC	19	39	5/16"-18UNC	12	2-1/4"-14UN	26	6.4	TSX-10	35	20	22	RG-1010	
1"-8UNC	19	39	5/16"-18UNC	12	2-1/4"-14UN	26	6.8	TSX-10	35	20	22	RG-1012	
1"-8UNC	19	39	5/16"-18UNC	12	2-1/4"-14UN	26	8.2	TSX-10	35	20	22	RG-1014	
1"-8UNC	25	47	3/8"-16UNC	12	2-3/4"-16UN	30	3.3	TSX-10	35	20	22	RG-151	
1"-8UNC	25	47	3/8"-16UNC	12	2-3/4"-16UN	30	4.1	TSX-10	35	20	22	RG-152	
1"-8UNC	25	47	3/8"-16UNC	12	2-3/4"-16UN	30	5.0	TSX-10	35	20	22	RG-154	
1"-8UNC	25	47	3/8"-16UNC	12	2-3/4"-16UN	30	6.8	TSX-10	35	20	22	RG-156	
1"-8UNC	25	47	3/8"-16UNC	12	2-3/4"-16UN	30	8.2	TSX-10	35	20	22	RG-158	
1"-8UNC	25	47	3/8"-16UNC	12	2-3/4"-16UN	30	9.5	TSX-10	35	20	22	RG-1510	
1"-8UNC	25	47	3/8"-16UNC	12	2-3/4"-16UN	30	10.9	TSX-10	35	20	22	RG-1512	
1"-8UNC	25	47	3/8"-16UNC	12	2-3/4"-16UN	30	11.8	TSX-10	35	20	22	RG-1514	
1-1/2"-16UN	25	58	1/2"-13UNC	19	3-5/16"-12UN	49	5.9	TSX-50	50	21	36	RG-251	
1-1/2"-16UN	25	58	1/2"-13UNC	19	3-5/16"-12UN	49	6.4	TSX-50	50	21	36	RG-252	
1-1/2"-16UN	25	58	1/2"-13UNC	19	3-5/16"-12UN	49	8.2	TSX-50	50	21	36	RG-254	
1-1/2"-16UN	25	58	1/2"-13UNC	19	3-5/16"-12UN	49	10.0	TSX-50	50	21	36	RG-256	
1-1/2"-16UN	25	58	1/2"-13UNC	19	3-5/16"-12UN	49	12.2	TSX-50	50	21	36	RG-258	
1-1/2"-16UN	25	58	1/2"-13UNC	19	3-5/16"-12UN	49	14.1	TSX-50	50	21	36	RG-2510	
1-1/2"-16UN	25	58	1/2"-13UNC	19	3-5/16"-12UN	49	16.3	TSX-50	50	21	36	RG-2512	
1-1/2"-16UN	25	58	1/2"-13UNC	19	3-5/16"-12UN	49	17.7	TSX-50	50	21	36	RG-2514	
1-1/2"-16UN	25	-	-	-	3-5/16"-12UN	49	18.1	TSX-50	50	21	36	RG-308	
-	-	95	1/2"-13UNC	19	5"-12UN	55	15.0	TSX-100	71	25	-	RG-502	
-	-	95	1/2"-13UNC	19	5"-12UN	55	19.1	TSX-100	71	25	-	RG-504	♠
-	-	95	1/2"-13UNC	19	5"-12UN	55	23.1	TSX-100	71	25	-	RG-506	♣
-	-	95	1/2"-13UNC	19	5"-12UN	55	37.6	TSX-100	71	25	-	RG-5013	♦
-	-	-	-	-	5-3/4"-12UN	44	29.5	TSX-100	71	25	-	RG-756	♦
-	-	-	-	-	5-3/4"-12UN	44	59.0	TSX-100	71	25	-	RG-7513	♦
-	-	-	-	-	6-7/8"-12UN	44	33.1	TSX-100	71	25	-	RG-1004	♣
-	-	139	3/4"-10UNC	25	6-7/8"-12UN	44	59.0	TSX-100	71	25	-	RG-1006	♦
-	-	139	3/4"-10UNC	25	6-7/8"-12UN	44	61.0	TSX-100	71	25	-	RG-1008	♦
-	-	139	3/4"-10UNC	25	6-7/8"-12UN	44	72.6	TSX-100	71	25	-	RG-10010	♦

HANDLE TYPES: ♠ WELDED ♦ EYEBOLT ♥ REMOVABLE STRAP HANDLE ♠ THREAD

\*\*\* Total cylinder collapsed height with optional tilt saddle equals ( dim.A - dim.K + dim.B )

**B**

**CYLINDERS**

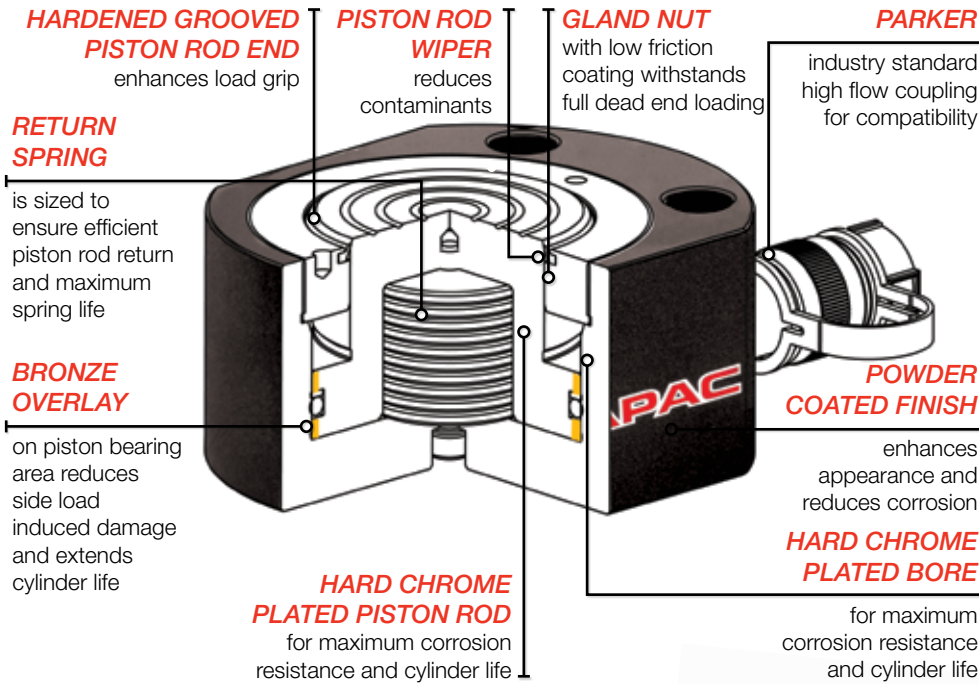
THE **RFJ-SERIES** IS A SPRING RETURN, COMPACT FLAT CYLINDER DESIGNED FOR USE IN NARROW SPACES AND AREAS WITH LOW OVERHEAD CLEARANCE.

They can be used in maintenance, machinery levelling, construction and mining applications. All RFJ-Series cylinders feature a hard chrome cylinder bore and piston rod for maximum corrosion resistance and bronze overlay piston bearing area to resist side load induced damage. Mounting holes are standard on all models and a grooved piston rod end improves load grip. For applications requiring extra closed height flexibility the RFJ stack plate kits from 5-30 ton capacity are the perfect tool.



Model Number	Cylinder Capacity ton* / kN		Stroke (mm)	Cylinder Effective Area (cm <sup>2</sup> )	Oil Capacity (cm <sup>3</sup> )	A Collapsed Height (mm)	B Extended Height (mm)	D Outside Diameter (mm)	E Cylinder Bore Diameter (mm)	F Piston Rod Diameter (mm)	H Base to Advance Port (mm)
RFJ-50	5	45	6	6.5	4	32	38	58x41	28.7	25.4	16
RFJ-100	10	101	12	14.5	17	43	55	82x55	42.9	38.1	19
RFJ-200	20	201	11	28.7	32	51	62	101x76	60.5	50.8	19
RFJ-300	30	295	13	42.1	55	58	71	117x95	73.2	63.4	19
RFJ-500	50	435	16	62.1	99	66	82	140x114	88.9	69.8	19
RFJ-750	75	718	16	102.6	164	79	95	165x139	114.3	82.6	19
RFJ-1000	100	887	16	126.7	203	85	101	178x153	127.0	92.2	19
RFJ-1500	150	1,386	16	198.1	317	100	116	215x190	158.8	114.3	23

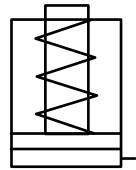
\* Nominal Cylinder Capacity in ton - see kN values for actual capacity



CAPACITY  
**5 - 150 ton**

STROKE  
**6 - 16 mm**

MAXIMUM OPERATING PRESSURE  
**700 bar**



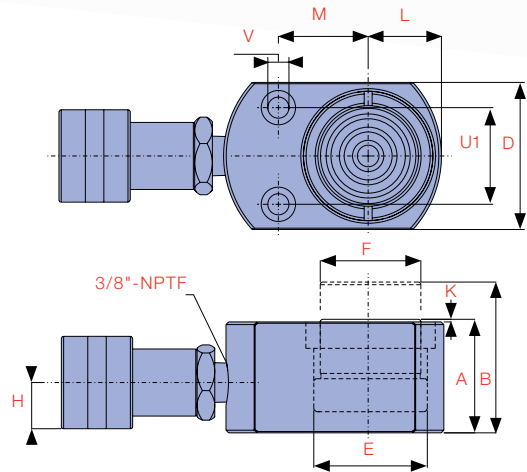
### Did you know...

RFJ-50 is supplied with a whip hose and high flow coupling.



### Did you know...

Durapac offers a range of stack plate kits from 5-30 ton capacity for an extra boost in collapsed height. Refer to CSK-Series for more details.



K Saddle Protrusion from Cylinder Body (mm)	L Piston Rod to Body (mm)	M Piston Rod to Mounting Hole (mm)	Base Mounting Holes				Weight (kg)	Model Number	Handle Type
			U1 Hole Pitch (mm)	V Hole Diameter (mm)	Counter Bore Diameter (mm)	Counter Bore Depth (mm)			
1	20	22	28.5	5.5	7.9	4.3	1.0	RFJ-50	
1	27	34	36.6	7.1	10.7	7.9	1.4	RFJ-100	
1	39	39	49.3	10.0	15.1	9.9	3.1	RFJ-200	
2	47	44	52.3	10.0	15.9	11.2	4.5	RFJ-300	
2	57	53	66.5	11.9	19.0	12.7	6.8	RFJ-500	
2	69	66	76.2	13.5	20.6	14.2	11.3	RFJ-750	♣
2	76	74	76.2	13.5	20.6	14.2	14.5	RFJ-1000	♣
2	95	82	117.3	13.5	20.6	14.2	26.3	RFJ-1500	♣

HANDLE TYPES: ♣ WELDED ♦ EYEBOLT ♥ REMOVABLE STRAP HANDLE ♠ THREAD

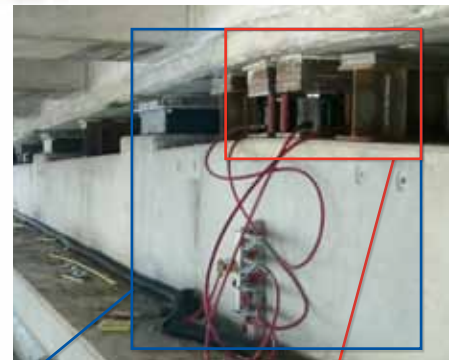
**B**

**CYLINDERS**



THE **RLP-SERIES** IS A SINGLE ACTING SPRING RETURN LOW PROFILE CYLINDER. ITS COMPACT DESIGN COMBINES MAXIMUM STROKE WITH LOW COLLAPSED HEIGHT.

These cylinders are commonly used in construction, mining, rail and many other industries. They are ideal for jacking, weighing, testing, levelling and general maintenance applications. All RLP-Series cylinders feature a hard chrome cylinder bore and piston rod for maximum corrosion resistance and bronze overlay piston bearing area to reduce scoring and increase service life. Optional TSL tilt saddles are available for all models.



Model Number	Cylinder Capacity ton* / kN		Stroke (mm)	Cylinder Effective Area (cm <sup>2</sup> )	Oil Capacity (cm <sup>3</sup> )	A Collapsed Height (mm)	B Extended Height (mm)	D Outside Diameter (mm)	E Cylinder Bore Diameter (mm)	F Piston Rod Diameter (mm)
RLP-101	10	101	38	14.5	55	88	126	69	42.9	38.1
RLP-201	20	201	45	28.7	129	98	143	92	60.5	50.8
RLP-302	30	295	62	42.1	261	117	179	101	73.2	66.5
RLP-502	50	435	60	62.1	372	122	182	124	88.9	69.8
RLP-1002	100	887	57	126.7	722	141	198	165	127.0	92.2

\* Nominal Cylinder Capacity in ton - see kN values for actual capacity

**POWDER COATED FINISH**

enhances appearance and reduces corrosion

**HARD CHROME PLATED BORE**

for maximum corrosion resistance and cylinder life

**BRONZE OVERLAY**

on piston bearing area reduces side load induced damage and extends cylinder life

**RETURN SPRING**

is sized to ensure efficient piston rod return and maximum spring life

**HARDENED GROOVED SADDLE**

to prevent piston rod damage. Optional tilt saddles available

**GLAND NUT**

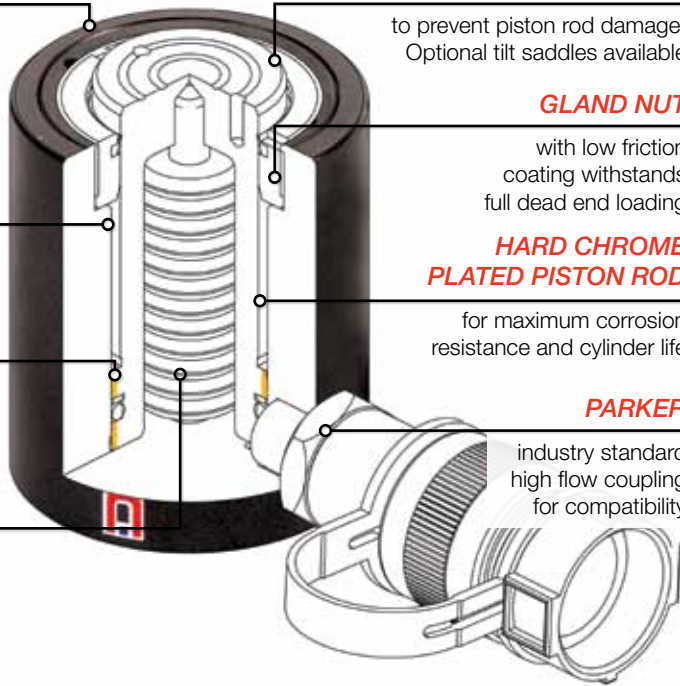
with low friction coating withstands full dead end loading

**HARD CHROME PLATED PISTON ROD**

for maximum corrosion resistance and cylinder life

**PARKER**

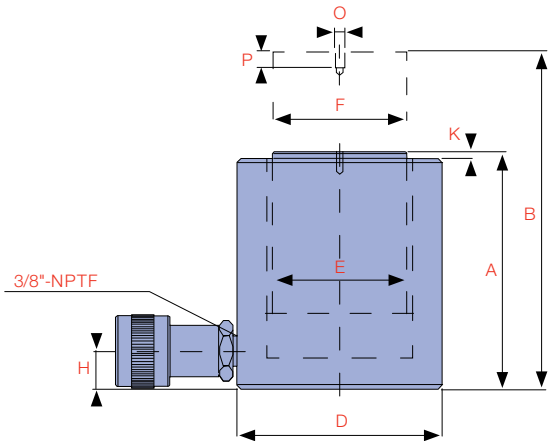
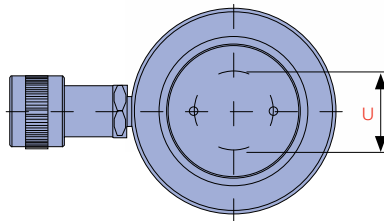
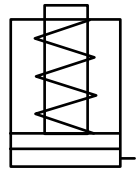
industry standard high flow coupling for compatibility



CAPACITY  
**10 - 100 ton**

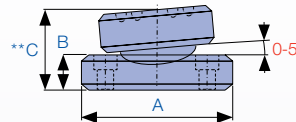
STROKE  
**38 - 62 mm**

MAXIMUM OPERATING PRESSURE  
**700 bar**



**Did you know...**

**RJ-Series** cylinders offer short stroke high tonnage capacities from 150 - 200 ton.



H Base to Advance Port (mm)	K Saddle Protrusion from Cylinder Body (mm)	O Tilt Saddle Mounting Thread (mm)	P Tilt Saddle Mounting Thread Length (mm)	U Bolt Circle Diameter (mm)	Weight (kg)	Optional Tilt Saddle			Model Number	Handle Type	
						Model Number	A (mm)	B (mm)			**C (mm)
17	5	M4 x 0.7	8	26	4.1	TSL-10	35	11	21	RLP-101	
17	3	M5 x 0.8	8	39	5.0	TSL-20	50	15	29	RLP-201	
19	3	M5 x 0.8	8	39	6.8	TSL-20	50	15	29	RLP-302	
23	2	M5 x 0.8	8	39	10.9	TSL-20	50	15	29	RLP-502	♣
31	1	M8 x 1.25	10	55	22.7	TSL-100	71	17	35	RLP-1002	♣

**HANDLE TYPES:** ♣ WELDED ♦ EYEBOLT ♥ REMOVABLE STRAP HANDLE ♠ THREAD

\*\* C dimension equals tilt saddle protrusion from piston rod

THE **RJ-SERIES** IS A SINGLE ACTING SPRING RETURN CYLINDER. IT IS IDEALLY SUITED TO JACKING, TESTING, WEIGHING AND GENERAL MAINTENANCE APPLICATIONS THAT REQUIRE A HIGH TONNAGE SHORT STROKE CYLINDER DESIGN IN CAPACITIES BEYOND THE 100 TON RLP SERIES.

All RJ-Series cylinders feature a hard chrome cylinder bore and piston rod for maximum corrosion resistance and bronze overlay piston bearing area to reduce scoring and increase service life. Removable hardened saddles are standard.



**EXCEEDS**  
ANSI/ASME B30.1  
**SAFETY**  
STANDARDS



Model Number	Cylinder Capacity ton* / kN	Stroke (mm)	Cylinder Effective Area (cm <sup>2</sup> )	Oil Capacity (cm <sup>3</sup> )	A Collapsed Height (mm)	B Extended Height (mm)	D Outside Diameter (mm)	
RJ-1502	150	1,407	50	201.0	1,005	200	250	215
RJ-1504		1,407	100	201.0	2,010	250	350	215
RJ-2002	200	1,984	50	283.4	1,417	200	250	255
RJ-2004		1,984	100	283.4	2,834	250	350	255

\* Nominal Cylinder Capacity in ton - see kN values for actual capacity



**POWDER COATED FINISH**

enhances appearance and reduces corrosion

**HARD CHROME PLATED BORE**

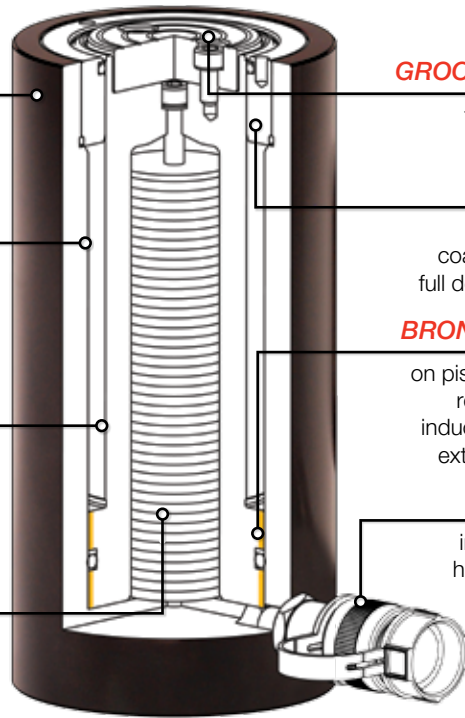
for maximum corrosion resistance and cylinder life

**HARD CHROME PLATED PISTON ROD**

for maximum corrosion resistance and cylinder life

**RETURN SPRING**

is sized to ensure efficient piston rod return and maximum spring life



**HARDENED GROOVED SADDLE**

to prevent piston rod damage

**GLAND NUT**

with low friction coating withstands full dead end loading

**BRONZE OVERLAY**

on piston bearing area reduces side load induced damage and extends cylinder life

**PARKER**

industry standard high flow coupling for compatibility



CAPACITY

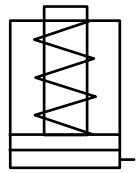
**150 - 200 ton**

STROKE

**50 - 100 mm**

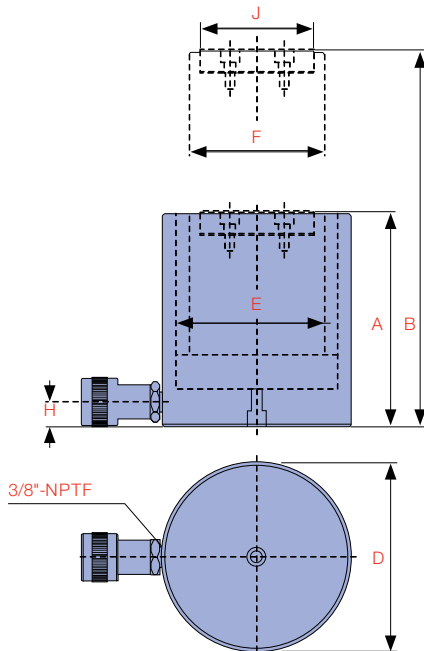
MAXIMUM OPERATING PRESSURE

**700 bar**



**B**

**CYLINDERS**



**Did you know...**

RLP-Series cylinders offer short stroke capacities from 10-100 ton.



E Cylinder Bore Diameter (mm)	F Piston Rod Diameter (mm)	H Base to Advance Port (mm)	J Standard Saddle Diameter (mm)	Weight (kg)	Model Number	Handle Type
160	115	50	99	50	RJ-1502	◆♥
160	115	50	99	60	RJ-1504	◆♥
190	135	50	115	72	RJ-2002	◆♥
190	135	50	115	85	RJ-2004	◆♥

HANDLE TYPES: ♣ WELDED ◆ EYEBOLT ♥ REMOVABLE STRAP HANDLE ♠ THREAD

## THE *RHS-SERIES* IS A SPRING RETURN HOLLOW PISTON ROD CYLINDER.

The hollow piston allows for a rod or cable to be inserted through the entire body length. They can be used in tensioning, load testing, bush extracting and maintenance applications. All RHS-Series cylinders feature a hard chrome cylinder bore and piston rod for maximum corrosion resistance and a bronze overlay piston bearing area to reduce scoring and increase service life. All cylinders incorporate a bolt on removable steel base plate for extra protection.



**Did you know...**

*RHS-120* is supplied with a whip hose and high flow coupling.

**Steel base plate:**  
 12 ton series : 8mm  
 20-30 ton series : 10mm  
 60 ton series : 12mm  
 100 ton series : 16mm

Model Number	Cylinder Capacity ton* / kN	Stroke (mm)	Cylinder Effective Area (cm <sup>2</sup> )	Oil Capacity (cm <sup>3</sup> )	A Collapsed Height (mm)	B Extended Height (mm)	D Outside Diameter (mm)	E Cylinder Bore Diameter (mm)	F Piston Rod Diameter (mm)	H Base to Advance Port (mm)	J Standard Saddle Diameter (mm)	
RHS-120	12	125	8	17.9	14	55	63	69	54.1	35.1	9	-
RHS-121		125	42	17.9	75	120	162	69	54.1	35.1	19	-
RHS-1211		125	42	17.9	75	120	162	69	54.1	35.1	19	-
RHS-123		125	76	17.9	135	184	260	69	54.1	35.1	19	-
RHS-202	20	215	49	30.7	149	162	211	98	73.1	54.1	19	54
RHS-204		215	102	30.7	311	242	344	98	73.1	54.1	19	54
RHS-206		215	155	30.7	472	306	461	98	73.1	54.1	19	54
RHS-302	30	326	64	46.6	297	178	242	114	88.9	63.5	22	63
RHS-304		326	102	46.6	474	233	335	114	88.9	63.5	22	63
RHS-306		326	155	46.6	720	330	485	114	88.9	63.5	25	63
RHS-603	60	576	76	82.3	629	247	323	159	123.9	91.9	31	91
RHS-604		576	103	82.3	838	286	389	159	123.9	91.9	31	91
RHS-606		576	153	82.3	1,266	323	476	159	123.9	91.9	31	91
RHS-1003	100	931	76	133.0	1,011	254	330	212	165.1	127.0	38	126
RHS-1006		931	152	133.0	2,026	373	525	212	165.1	127.0	54	126

\* Nominal Cylinder Capacity in ton - see kN values for actual capacity

**PISTON ROD WIPER**

reduces contaminants

**HARD CHROME PLATED PISTON ROD**

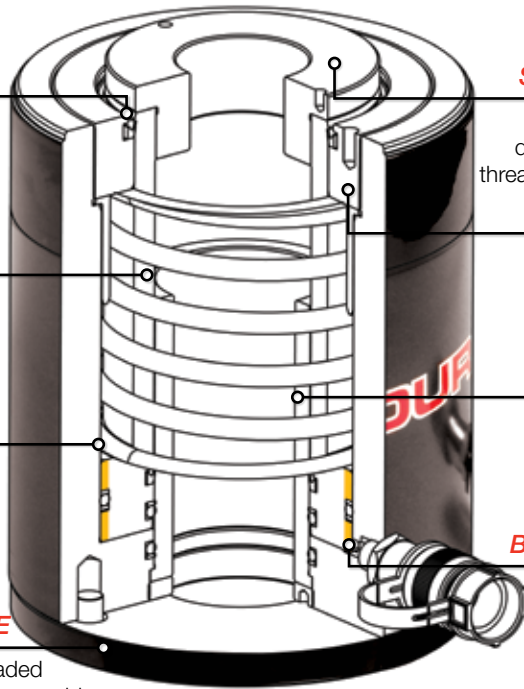
for maximum corrosion resistance and cylinder life

**HARD CHROME PLATED BORE**

for maximum corrosion resistance and cylinder life

**STEEL BASE PLATE**

protects base and threaded mounting holes and is removable



**THREADED FIT SMOOTH SADDLE**

to prevent piston rod damage. Optional TSH threaded saddles available

**GLAND NUT**

with low friction coating withstands full dead end loading

**RETURN SPRING**

is sized to ensure efficient piston rod return and maximum spring life

**BRONZE OVERLAY**

on piston bearing area reduces side load induced damage and extends cylinder life



CAPACITY

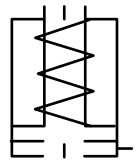
**12 - 100 ton**

STROKE

**8 - 155 mm**

MAXIMUM OPERATING PRESSURE

**700 bar**

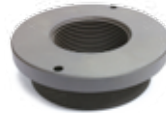
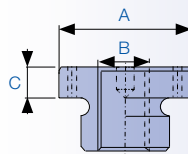


**B**

**CYLINDERS**

**Did you know...**

Lightweight aluminium hollow cylinders are available in single and double acting designs.



Model Number	Optional Threaded Saddles			Model Number
	A (mm)	B	C (mm)	
TSH-20	53	1"-8UNC	9	RHS-202
TSH-20	53	1"-8UNC	9	RHS-206
TSH-30	63	1-1/4"-7UNC	9	RHS-302
TSH-30	63	1-1/4"-7UNC	9	RHS-306
TSH-60	91	1-5/8"-5-1/2UN	12	RHS-603
TSH-60	91	1-5/8"-5-1/2UN	12	RHS-604
TSH-60	91	1-5/8"-5-1/2UN	12	RHS-606
TSH-100	126	2-1/2"-8UN	13	RHS-1003
TSH-100	126	2-1/2"-8UN	13	RHS-1006

K Saddle Protrusion from Piston Rod (mm)	O Piston Rod Internal Thread	P Piston Rod Thread Length (mm)	W Collar Thread	X Collar Thread Length (mm)	Y Centre Hole Diameter (mm)	Base Mounting Holes			Weight (kg)	Model Number	Handle Type
						U Bolt Circle Diameter (mm)	V Thread	Z Thread Depth (mm)			
-	3/4"-16UNF	16	2-3/4"-16UN	30	19.6	50.8	5/16"-18UNC	9.0	2.0	RHS-120	
-	-	-	2-3/4"-16UN	30	19.6	-	-	-	2.8	RHS-121	
-	3/4"-16UNF	16	2-3/4"-16UN	30	19.6	-	-	-	2.8	RHS-1211	
-	-	-	2-3/4"-16UN	30	19.6	50.8	5/16"-18UNC	12.7	4.4	RHS-123	
6.9	1-9/16"-16UN	19	3-7/8"-12UN	38	26.9	82.6	3/8"-16UNC	9.4	7.7	RHS-202	♣
6.9	1-9/16"-17UN	19	3-7/8"-13UN	38	26.9	82.6	3/8"-16UNC	9.4	10.0	RHS-204	♣
6.9	1-9/16"-16UN	19	3-7/8"-12UN	38	26.9	82.6	3/8"-16UNC	9.4	14.1	RHS-206	♣
9.7	1-13/16"-16UN	22	4-1/2"-12UN	42	33.3	92.2	3/8"-16UNC	14.0	10.9	RHS-302	♣
9.7	1-13/16"-17UN	22	4-1/2"-13UN	42	33.3	92.2	3/8"-16UNC	14.0	14.0	RHS-304	♣
9.7	1-13/16"-18UN	22	4-1/2"-12UN	42	33.3	92.2	3/8"-16UNC	14.0	21.8	RHS-306	♣
12.7	2-3/4"-16UN	19	6-1/4"-12UN	48	53.8	130.3	1/2"-13UNC	14.0	28.1	RHS-603	♥
12.7	2-3/4"-16UN	19	6-1/4"-12UN	48	53.8	130.3	1/2"-13UNC	14.0	30.0	RHS-604	♥
12.7	2-3/4"-16UN	19	6-1/4"-12UN	48	53.8	130.3	1/2"-13UNC	14.0	35.4	RHS-606	♥
12.7	4"-16UN	25	8-3/8"-12	60	79.0	177.8	5/8"-11UNC	19.0	63.0	RHS-1003	♥
12.7	4"-16UN	25	8-3/8"-13	60	79.0	177.8	5/8"-11UNC	19.0	73.0	RHS-1006	♥

HANDLE TYPES: ♣ WELDED ♦ EYEBOLT ♥ REMOVABLE STRAP HANDLE ♠ THREAD

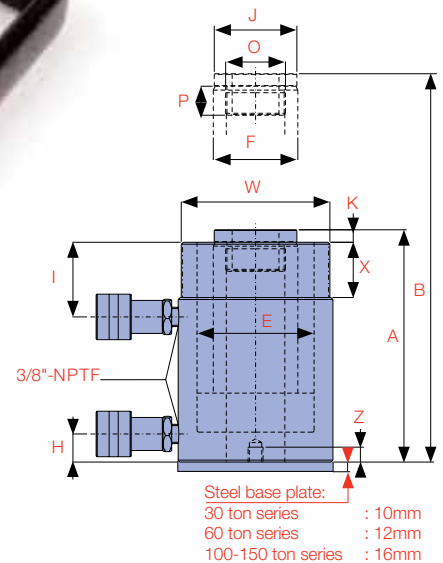
**B**

**CYLINDERS**



## THE *RHD-SERIES* IS A DOUBLE ACTING HOLLOW PISTON ROD CYLINDER.

The hollow piston allows for a rod or cable to be inserted through the entire body length, while the double acting design improves speed of operation when longer stroke cylinders are required. They can be used in tensioning, load testing, bush extracting, and maintenance applications. All cylinders in this range have base mounting holes.



Model Number	Cylinder Capacity			Stroke (mm)	Cylinder Effective Area		Oil Capacity		A Collapsed Height (mm)	B Extended Height (mm)	D Outside Diameter (mm)	E Cylinder Bore Diameter (mm)
	ton*	Advance kN	Retract kN		Advance (cm <sup>2</sup> )	Retract (cm <sup>2</sup> )	Advance (cm <sup>3</sup> )	Retract (cm <sup>3</sup> )				
RHD-307	30	326	213	178	46.6	30.4	830	541	330	508	114	88.9
RHD-3010		326	213	258	46.6	30.4	1,203	784	431	689	114	88.9
RHD-603	60	576	377	94	82.3	53.8	732	479	247	336	159	123.9
RHD-606		576	377	166	82.3	53.8	1,366	893	323	489	159	123.9
RHD-6010		576	377	257	82.3	53.8	2,115	1,382	438	695	159	123.9
RHD-1001	100	931	612	38	133.0	87.4	506	332	165	203	212	165.1
RHD-1003		931	612	76	133.0	87.4	1,012	664	254	330	212	165.1
RHD-1006		931	612	153	133.0	87.4	2,037	1,337	342	495	212	165.1
RHD-10010		931	612	257	133.0	87.4	3,421	2,245	460	717	212	165.1
RHD-1508	150	1,429	718	203	204.1	102.6	4,142	2,082	349	552	247	190.5

\* Nominal Cylinder Capacity in ton - see kN values for actual capacity

**SAFETY PRESSURE**

relief valve protects cylinder from oversaturation due to checked hydraulic return coupling

**GLAND NUT**

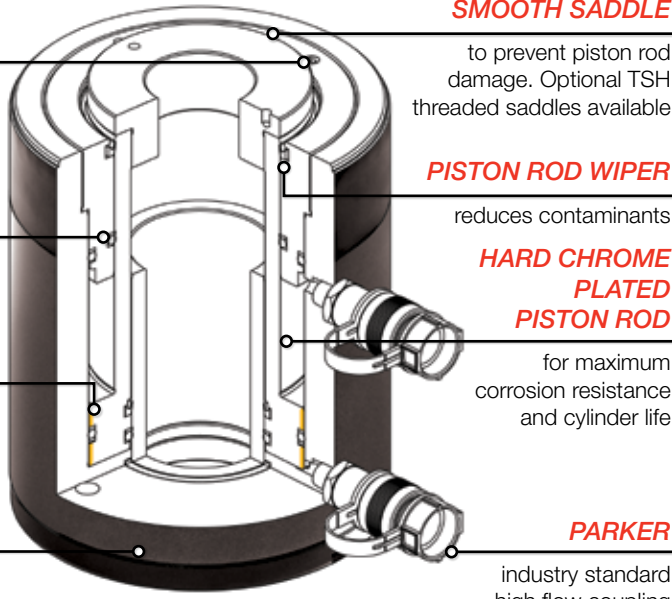
with low friction coating withstands full dead end loading

**BRONZE OVERLAY**

on piston bearing area reduces side load induced damage and extends cylinder life

**STEEL BASE PLATE**

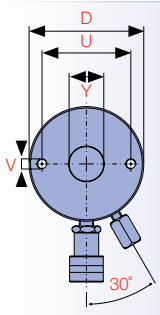
protects base and is removable to allow use of threaded mounting holes



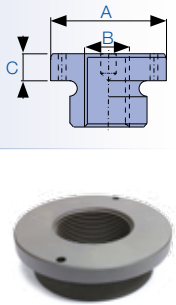
**CAPACITY**  
**30 - 150 ton**

**STROKE**  
**38 - 258 mm**

**MAXIMUM OPERATING PRESSURE**  
**700 bar**



Base Mounting Holes			Model Number	Optional Threaded Saddles			Handle Type	
U Bolt Circle Diameter (mm)	V Thread	Z Thread Depth (mm)		Model Number	A (mm)	B		C (mm)
92.2	3/8"-16UNC	15.7	<b>RHD-307</b>	TSH-30	63	1-1/4"-7UNC	9	♥
92.2	3/8"-16UNC	15.7	<b>RHD-3010</b>	TSH-30	63	1-1/4"-7UNC	9	♥
130.0	1/2"-13UNC	14.0	<b>RHD-603</b>	TSH-60	91	1-5/8"-5-1/2UN	12	♥
130.0	1/2"-13UNC	14.0	<b>RHD-606</b>	TSH-60	91	1-5/8"-5-1/2UN	12	♥
130.0	1/2"-13UNC	14.0	<b>RHD-6010</b>	TSH-60	91	1-5/8"-5-1/2UN	12	♥
177.8	5/8"-11UNC	19.0	<b>RHD-1001</b>	TSH-100	126	2-1/2"-8UN	13	♥
177.8	5/8"-11UNC	19.0	<b>RHD-1003</b>	TSH-100	126	2-1/2"-8UN	13	♥
177.8	5/8"-11UNC	19.0	<b>RHD-1006</b>	TSH-100	126	2-1/2"-8UN	13	♥
177.8	5/8"-11UNC	19.0	<b>RHD-10010</b>	TSH-100	126	2-1/2"-8UN	13	♥
214.0	5/8"-11UNC	15.0	<b>RHD-1508</b>	-	-	-	-	♥



F Piston Rod Diameter (mm)	H Base to Advance Port (mm)	I Top to Return Port (mm)	J Standard Saddle Diameter (mm)	K Saddle Protrusion from Piston Rod (mm)	O Piston Rod Internal Thread	P Piston Rod Thread Length (mm)	W Collar Thread	X Collar Thread Length (mm)	Y Centre Hole Diameter (mm)	Weight (kg)	Model Number
63.5	25	60	63	9	1-13/16"-16UN	22	4-1/2"-12UN	42	33.3	21.0	<b>RHD-307</b>
63.5	25	60	63	9	1-13/16"-16UN	22	4-1/2"-12UN	42	33.3	27.0	<b>RHD-3010</b>
92.2	31	66	91	12	2-3/4"-16UN	19	6-1/4"-12UN	48	54.1	28.0	<b>RHD-603</b>
92.2	31	66	91	12	2-3/4"-16UN	19	6-1/4"-12UN	48	54.1	35.0	<b>RHD-606</b>
92.2	31	66	91	12	2-3/4"-16UN	19	6-1/4"-12UN	48	54.1	45.0	<b>RHD-6010</b>
127.0	38	44	126	12	4"-16UN	25	-	-	79.5	33.0	<b>RHD-1001</b>
127.0	38	85	126	12	4"-16UN	25	8-3/8"-12UN	60	79.5	61.0	<b>RHD-1003</b>
127.0	38	85	126	12	4"-16UN	25	8-3/8"-12UN	60	79.5	79.0	<b>RHD-1006</b>
127.0	38	85	126	12	4"-16UN	25	8-3/8"-12UN	60	79.5	106.0	<b>RHD-10010</b>
152.4	38	60	127	4	4-1/4"-12UN	25	-	-	79.5	111.0	<b>RHD-1508</b>

**HANDLE TYPES:** ♠ WELDED ♦ EYEBOLT ♥ REMOVABLE STRAP HANDLE ♣ THREAD

THE **RPLC-SERIES** IS A SINGLE ACTING LOAD RETURN PANCAKE LOCKING COLLAR CYLINDER. IT IS A COMPACT DESIGN THAT FEATURES A THREADED PISTON ROD AND LOCK RING.

When the lock ring is screwed down and engaged with the cylinder body, the load can be held mechanically for extended periods. Hoses and pumps can be removed until lowering is required. These cylinders are ideally suited to bridge construction and maintenance. All RPLC-Series cylinders feature a hard chrome bore for maximum corrosion resistance and a special coating on the piston rod and lock ring to resist corrosion and abrasion. Integral tilt saddle and an oil overflow port which restricts piston stroke is standard on all models.



Model Number	Cylinder Capacity ton* / kN		Stroke (mm)	Cylinder Effective Area (cm <sup>2</sup> )	Oil Capacity (cm <sup>3</sup> )	A Collapsed Height (mm)	B Extended Height (mm)	D Outside Diameter (mm)
RPLC-602	60	606	50	86.6	433	125	175	140
RPLC-1002	100	1,027	50	146.8	733	137	187	175
RPLC-1602	160	1,619	45	231.3	1,040	148	193	220
RPLC-2002	200	1,999	45	285.6	1,285	155	200	245
RPLC-2502	250	2,567	45	366.8	1,650	159	204	275
RPLC-4002	400	3,916	45	559.5	2,516	178	223	350
RPLC-5002	500	5,114	45	730.6	3,286	192	237	400

\* Nominal Cylinder Capacity in ton - see kN values for actual capacity

**HARDENED GROOVED TILT SADDLE**

on all models to prevent piston rod damage

**LOW FRICTION COATING**

on piston rod and lock nut enhances corrosion resistance

**HARD CHROME PLATED BORE**

for maximum corrosion resistance and cylinder life

**OVERFLOW PORT**

on the piston rod ensures cylinder is not over extended

**LOCK RING**

holds load mechanically

**POWDER COATED FINISH**

enhances appearance and reduces corrosion

**PARKER**

industry standard high flow coupling for compatibility



CAPACITY

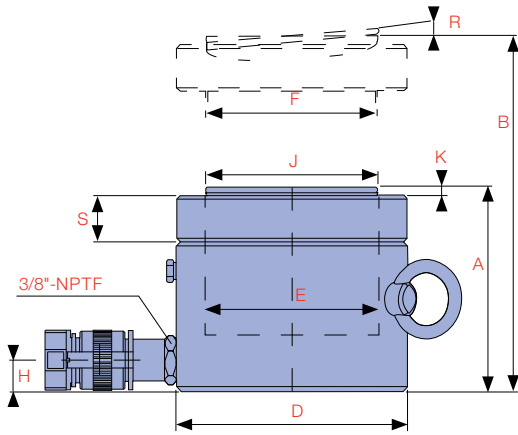
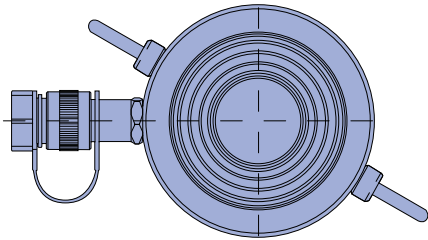
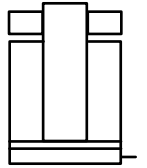
**60 - 500 ton**

STROKE

**45 - 50 mm**

MAXIMUM OPERATING PRESSURE

**700 bar**



**CAUTION...**

**RPLC-Series** pancake locking collar cylinders must be used with the base fully engaged and on a firm stable jacking surface.

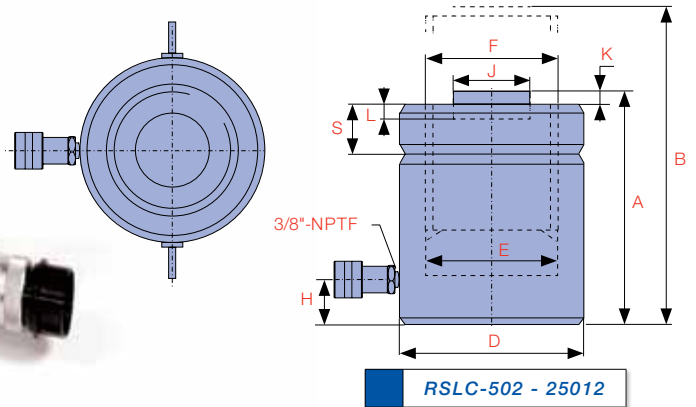
E Cylinder Bore Diameter (mm)	F **Piston Rod Diameter (mm)	H Base to Advance Port (mm)	J Standard Saddle Diameter (mm)	K Saddle Protrusion from Piston Rod (mm)	R Tilt Saddle Maximum Angle	S Lock Ring Height (mm)	Weight (kg)	Model Number	Handle Type
105.0	TR104x4	19	96	6	5°	28	15	RPLC-602	◆
136.7	TR136x6	21	126	8	5°	31	26	RPLC-1002	◆
171.6	TR171x6	27	160	9	5°	40	44	RPLC-1602	◆
190.7	TR190x6	30	180	10	5°	43	57	RPLC-2002	◆
216.1	TR216x6	32	200	11	5°	44	74	RPLC-2502	◆
266.9	TR266x6	39	250	11	4°	55	134	RPLC-4002	◆
305.0	TR305x6	48	290	10	3°	62	189	RPLC-5002	◆

**HANDLE TYPES:** ♠ WELDED ◆ EYEBOLT ♥ REMOVABLE STRAP HANDLE ♣ THREAD

\*\* TR is a metric trapezoidal thread

**THE RSLC-SERIES IS A SINGLE ACTING LOAD RETURN HIGH TONNAGE LOCKING COLLAR CYLINDER.**

It is a design that features a threaded piston rod and lock ring. When the lock ring is screwed down and engaged with the cylinder body, the load can be held mechanically for extended periods. These cylinders are ideally suited to bridge construction and maintenance and jacking applications requiring safe extended load holding. All RSLC-Series cylinders feature a hard chrome bore for maximum corrosion resistance and a special coating on the piston rod and lock ring to resist corrosion and abrasion. Hardened removable saddles are standard and TSX tilt saddles are optional. An oil overflow port which restricts piston stroke is standard on all models.



Model Number	Cylinder Capacity ton* / kN	Stroke (mm)	Cylinder Effective Area (cm <sup>2</sup> )	Oil Capacity (cm <sup>3</sup> )	A Collapsed Height (mm)	B Extended Height (mm)	D Outside Diameter (mm)	E Cylinder Bore Diameter (mm)	**F Piston Rod Diameter (mm)	
RSLC-502	50	496	50	70.9	355	164	214	125	95.0	TR95x4
RSLC-504		496	100	70.9	708	214	314	125	95.0	TR95x4
RSLC-506		496	150	70.9	1,063	264	414	125	95.0	TR95x4
RSLC-508		496	200	70.9	1,417	314	514	125	95.0	TR95x4
RSLC-5010		496	250	70.9	1,771	364	614	125	95.0	TR95x4
RSLC-5012		496	300	70.9	2,125	414	714	125	95.0	TR95x4
RSLC-1002	100	929	50	132.7	664	187	237	165	130.0	TR130x6
RSLC-1004		929	100	132.7	1,327	237	337	165	130.0	TR130x6
RSLC-1006		929	150	132.7	1,990	287	437	165	130.0	TR130x6
RSLC-1008		929	200	132.7	2,653	337	537	165	130.0	TR130x6
RSLC-10010		929	250	132.7	3,317	387	637	165	130.0	TR130x6
RSLC-10012		929	300	132.7	3,980	437	737	165	130.0	TR130x6
RSLC-1502	150	1,390	50	198.6	993	209	259	205	159.0	TR159x6
RSLC-1504		1,390	100	198.6	1,985	259	359	205	159.0	TR159x6
RSLC-1506		1,390	150	198.6	2,977	309	459	205	159.0	TR159x6
RSLC-1508		1,390	200	198.6	3,969	359	559	205	159.0	TR159x6
RSLC-15010		1,390	250	198.6	4,961	409	659	205	159.0	TR159x6
RSLC-15012		1,390	300	198.6	5,954	459	759	205	159.0	TR159x6

\* Nominal Cylinder Capacity in ton - see kN values for actual capacity

\*\* TR is a metric trapezoidal thread



### LOW FRICTION COATING

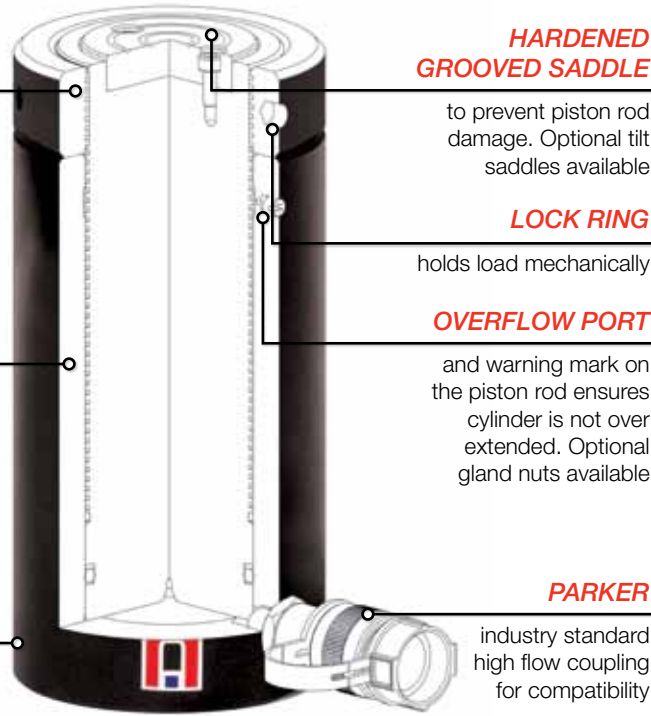
on piston rod and lock nut enhances corrosion resistance

### HARD CHROME PLATED BORE

for maximum corrosion resistance and cylinder life

### POWDER COATED FINISH

enhances appearance and reduces corrosion



### HARDENED GROOVED SADDLE

to prevent piston rod damage. Optional tilt saddles available

### LOCK RING

holds load mechanically

### OVERFLOW PORT

and warning mark on the piston rod ensures cylinder is not over extended. Optional gland nuts available

### PARKER

industry standard high flow coupling for compatibility



CAPACITY

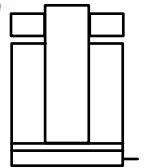
**50 - 1,000 ton**

STROKE

**50 - 300 mm**

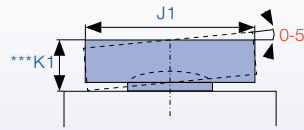
MAXIMUM OPERATING PRESSURE

**700 bar**



## Did you know...

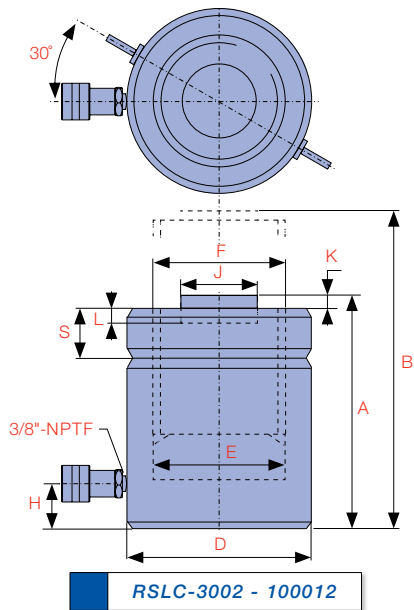
Durapac offer RDLC-Series double acting locking collar cylinders for extended mechanical load holding applications with controlled lowering. **Contact Durapac for full details.**



H Base to Advance Port (mm)	J Standard Saddle Diameter (mm)	K Saddle Protrusion from Piston Rod (mm)	L Depth of Piston Rod Hole (mm)	S Lock Ring Height (mm)	Weight (kg)	Optional Tilt Saddle			Model Number	Handle Type
						Model Number	J1 Diameter (mm)	***K1 Height (mm)		
30	71	2	13	36	15.0	TSX-100	71	24	RSLC-502	◆
30	71	2	13	36	20.0	TSX-100	71	24	RSLC-504	◆
30	71	2	13	36	25.0	TSX-100	71	24	RSLC-506	◆
30	71	2	13	36	30.0	TSX-100	71	24	RSLC-508	◆
30	71	2	13	36	35.0	TSX-100	71	24	RSLC-5010	◆
30	71	2	13	36	40.0	TSX-100	71	24	RSLC-5012	◆
30	71	2	13	44	30.0	TSX-100	71	24	RSLC-1002	◆
30	71	2	13	44	39.0	TSX-100	71	24	RSLC-1004	◆
30	71	2	13	44	48.0	TSX-100	71	24	RSLC-1006	◆
30	71	2	13	44	56.0	TSX-100	71	24	RSLC-1008	◆
30	71	2	13	44	64.0	TSX-100	71	24	RSLC-10010	◆
30	71	2	13	44	73.0	TSX-100	71	24	RSLC-10012	◆
39	130	2	25	44	53.0	TSX-200	130	20	RSLC-1502	◆
39	130	2	25	44	66.0	TSX-200	130	20	RSLC-1504	◆
39	130	2	25	44	78.0	TSX-200	130	20	RSLC-1506	◆
39	130	2	25	44	92.0	TSX-200	130	20	RSLC-1508	◆
39	130	2	25	44	104.0	TSX-200	130	20	RSLC-15010	◆
39	130	2	25	44	117.0	TSX-200	130	20	RSLC-15012	◆

HANDLE TYPES: ♠ WELDED ◆ EYEBOLT ♥ REMOVABLE STRAP HANDLE ♣ THREAD

\*\*\* Total cylinder collapsed height with optional tilt saddle equals ( dim.A - dim.K + dim.K1 )



### Did you know...

**RPLC-Series** pancake locking collar cylinders are perfect for applications that require sustained load holding in a compact low height package.



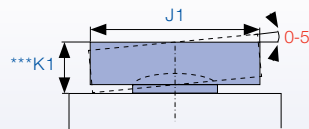
Model Number	Cylinder Capacity ton* / kN	Stroke (mm)	Cylinder Effective Area (cm <sup>2</sup> )	Oil Capacity (cm <sup>3</sup> )	A Collapsed Height (mm)	B Extended Height (mm)	D Outside Diameter (mm)	E Cylinder Bore Diameter (mm)	**F Piston Rod Diameter (mm)	
RSLC-2002	200	1,859	50	265.6	1,330	243	293	235	184.0	TR184x6
RSLC-2006		1,859	150	265.6	3,987	343	493	235	184.0	TR184x6
RSLC-20012		1,859	300	265.6	7,973	493	793	235	184.0	TR184x6
RSLC-2502	250	2,562	50	366.1	1,833	249	299	275	216.0	TR216x6
RSLC-2506		2,562	150	366.1	5,494	349	499	275	216.0	TR216x6
RSLC-25012		2,562	300	366.1	10,987	499	799	275	216.0	TR216x6
RSLC-3002	300	3,193	50	456.2	2,282	295	345	310	241.0	TR241x6
RSLC-3006		3,193	150	456.2	6,844	395	545	310	241.0	TR241x6
RSLC-30012		3,193	300	456.2	13,678	545	845	310	241.0	TR241x6
RSLC-4002	400	3,919	50	559.9	2,798	335	385	350	267.0	TR266x6
RSLC-4006		3,919	150	559.9	8,394	435	585	350	267.0	TR266x6
RSLC-40012		3,919	300	559.9	16,789	585	885	350	267.0	TR266x6
RSLC-5002	500	5,118	50	731.1	3,651	375	425	400	305.0	TR305x6
RSLC-5006		5,118	150	731.1	10,954	475	625	400	305.0	TR305x6
RSLC-50012		5,118	300	731.1	21,907	625	925	400	305.0	TR305x6
RSLC-6002	600	5,983	50	854.8	4,274	395	445	430	330.0	TR330x6
RSLC-6006		5,983	150	854.8	12,823	495	645	430	330.0	TR330x6
RSLC-60012		5,983	300	854.8	25,646	645	945	430	330.0	TR330x6
RSLC-8002	800	8,238	50	1176.9	5,878	455	505	505	387.0	TR387x6
RSLC-8006		8,238	150	1176.9	17,635	555	705	505	387.0	TR387x6
RSLC-80012		8,238	300	1176.9	35,271	705	1005	505	387.0	TR387x6
RSLC-10002	1000	10,260	50	1466.4	7,325	495	545	560	432.0	TR432x6
RSLC-10006		10,260	150	1466.4	21,975	595	745	560	432.0	TR432x6
RSLC-100012		10,260	300	1466.4	43,950	745	1045	560	432.0	TR432x6

\* Nominal Cylinder Capacity in ton - see kN values for actual capacity

\*\* TR is a metric trapezoidal thread

## Did you know...

Durapac offers a wide range of pump options: electric / air / petrol / diesel / manual



H Base to Advance Port (mm)	J Standard Saddle Diameter (mm)	K Saddle Protrusion from Piston Rod (mm)	L Depth of Piston Rod Hole (mm)	S Lock Ring Height (mm)	Weight (kg)	Optional Tilt Saddle			Model Number	Handle Type
						Model Number	J1 Diameter (mm)	***K1 Height (mm)		
50	130	2	25	50	83	TSX-200	130	20	RSLC-2002	◆
50	130	2	25	50	117	TSX-200	130	20	RSLC-2006	◆
50	130	2	25	50	170	TSX-200	130	20	RSLC-20012	◆
50	150	2	25	56	116	TSX-250	150	21	RSLC-2502	◆
50	150	2	25	56	162	TSX-250	150	21	RSLC-2506	◆
50	150	2	25	56	234	TSX-250	150	21	RSLC-25012	◆
59	139	5	25	60	173	TSX-300	195	75	RSLC-3002	◆
59	139	5	25	60	233	TSX-300	195	75	RSLC-3006	◆
59	139	5	25	60	323	TSX-300	195	75	RSLC-30012	◆
70	159	5	25	70	250	TSX-400	225	85	RSLC-4002	◆
70	159	5	25	70	327	TSX-400	225	85	RSLC-4006	◆
70	159	5	25	70	441	TSX-400	225	85	RSLC-40012	◆
80	179	5	25	80	367	TSX-500	250	91	RSLC-5002	◆
80	179	5	25	80	466	TSX-500	250	91	RSLC-5006	◆
80	179	5	25	80	617	TSX-500	250	91	RSLC-50012	◆
85	194	5	25	85	446	TSX-600	275	96	RSLC-6002	◆
85	194	5	25	85	562	TSX-600	275	96	RSLC-6006	◆
85	194	5	25	85	737	TSX-600	275	96	RSLC-60012	◆
100	224	5	25	100	709	TSX-800	320	123	RSLC-8002	◆
100	224	5	25	100	870	TSX-800	320	123	RSLC-8006	◆
100	224	5	25	100	1,110	TSX-800	320	123	RSLC-80012	◆
110	249	5	25	110	949	TSX-1000	360	136	RSLC-10002	◆
110	249	5	25	110	1,141	TSX-1000	360	136	RSLC-10006	◆
110	249	5	25	110	1,430	TSX-1000	360	136	RSLC-100012	◆

HANDLE TYPES: ♠ WELDED ◆ EYEBOLT ♥ REMOVABLE STRAP HANDLE ♣ THREAD

\*\*\* Total cylinder collapsed height with optional tilt saddle equals ( dim.A - dim.K + dim.K1 )

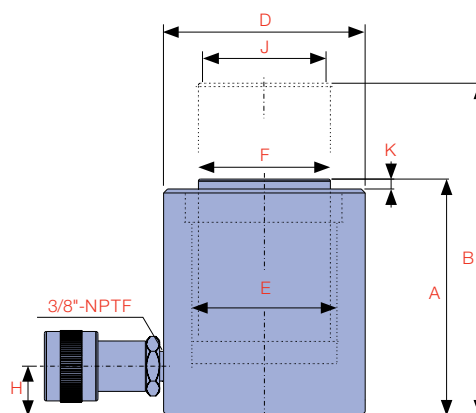
**B**

**CYLINDERS**



**THE *AR-SERIES* IS A LIGHTWEIGHT HIGH STRENGTH ALUMINIUM SPRING RETURN CYLINDER THAT IS IDEAL FOR USE IN APPLICATIONS WHERE WEIGHT AND PORTABILITY ARE PARAMOUNT.**

A special anodising treatment on the piston rod, cylinder bore and body resists damage and extends cylinder life. AR-Series cylinders can be used in applications such as axle correction, bridge jacking, machinery maintenance and other non production applications.



Model Number	Cylinder Capacity ton* / kN	Stroke (mm)	Cylinder Effective Area (cm <sup>2</sup> )	Oil Capacity (cm <sup>3</sup> )	A Collapsed Height (mm)	B Extended Height (mm)	D Outside Diameter (mm)	
AR-302	30	293	50	41.9	213	168	218	114
AR-304		293	101	41.9	426	229	330	114
AR-306		293	152	41.9	639	270	422	114
AR-308		293	203	41.9	852	320	523	114
AR-3010		293	254	41.9	1,065	371	625	114
AR-502	50	498	50	71.2	360	168	218	139
AR-504		498	101	71.2	723	229	330	139
AR-506		498	152	71.2	1,085	270	422	139
AR-508		498	203	71.2	1,445	320	523	139
AR-5010		498	254	71.2	1,809	371	625	139
AR-752	75	678	50	96.8	492	168	218	165
AR-754		678	101	96.8	985	229	330	165
AR-756		678	152	96.8	1,477	270	422	165
AR-758		678	203	96.8	1,969	320	523	165
AR-7510		678	254	96.8	2,463	371	625	165
AR-1002	100	931	50	133.0	675	168	218	203
AR-1004		931	101	133.0	1,351	229	330	203
AR-1006		931	152	133.0	2,027	270	422	203
AR-1008		931	203	133.0	2,702	320	523	203
AR-10010		931	254	133.0	3,379	371	625	203

**PISTON ROD WIPER**

reduces contaminants

**PISTON ROD**

has a special anodising treatment to resist damage

**HANDLE**

is threaded and removable

**CYLINDER BORE**

has a special anodising treatment to resist damage

**BEARING SURFACE**

large area with balancing and lubricating grooves for protection against side loading

**HARDENED STEEL GROOVED SADDLE**

to prevent piston rod damage. Optional tilt saddles available

**GLAND NUT**

aluminium/bronze withstands full dead end loading

**RETURN SPRING**

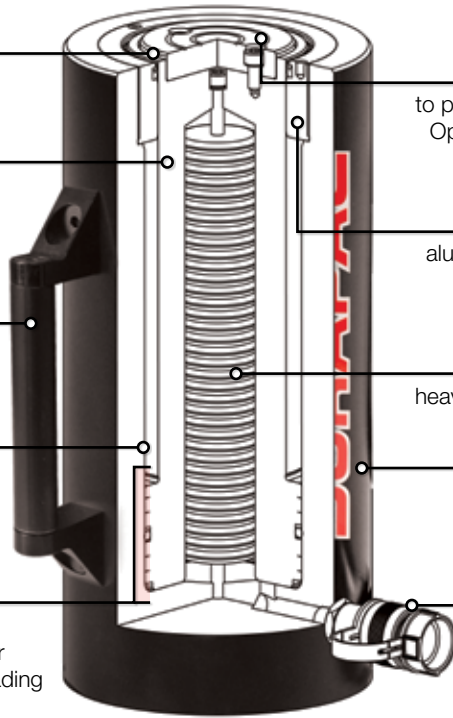
heavy duty for faster retraction

**LIGHTWEIGHT**

high strength aluminium materials

**PARKER**

industry standard high flow coupling for compatibility



CAPACITY

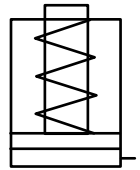
**30 - 150 ton**

STROKE

**50 - 254 mm**

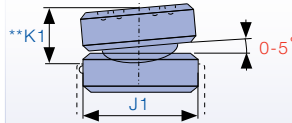
MAXIMUM OPERATING PRESSURE

**700 bar**



**B**

**CYLINDERS**



E Cylinder Bore Diameter (mm)	F Piston Rod Diameter (mm)	H Base to Advance Port (mm)	J Standard Saddle Diameter (mm)	K Saddle Protrusion from Piston Rod (mm)	Optional Tilt Saddle			Weight (kg)
					Model Number	J1 Diameter (mm)	**K1 Height (mm)	
73.2	63.5	38	51	3	-	-	-	5.0
73.2	63.5	38	51	3	-	-	-	6.8
73.2	63.5	38	51	3	-	-	-	7.1
73.2	63.5	38	51	3	-	-	-	9.0
73.2	63.5	38	51	3	-	-	-	11.3
92.2	79.4	38	64	3	ATS-50	60	30	7.4
92.2	79.4	38	64	3	ATS-50	60	30	9.6
92.2	79.4	38	64	3	ATS-50	60	30	11.4
92.2	79.4	38	64	3	ATS-50	60	30	13.6
92.2	79.4	38	64	3	ATS-50	60	30	15.4
111.3	98.4	38	76	3	ATS-75	73	30	10.0
111.3	98.4	38	76	3	ATS-75	73	30	13.0
111.3	98.4	38	76	3	ATS-75	73	30	15.8
111.3	98.4	38	76	3	ATS-75	73	30	19.0
111.3	98.4	38	76	3	ATS-75	73	30	22.7
130.3	108.0	38	89	3	ATS-100	82	30	16.0
130.3	108.0	38	89	3	ATS-100	82	30	19.4
130.3	108.0	38	89	3	ATS-100	82	30	23.0
130.3	108.0	38	89	3	ATS-100	82	30	27.2
130.3	108.0	38	89	3	ATS-100	82	30	30.6



**Did you know...**

Durapac has a range of aluminium lightweight pumps to suit the **aluminium cylinder range**.



P-2200A



**Caution...**

Lightweight **aluminium cylinders** are **not** designed for production applications. Refer to Durapac for information relating to high cycle applications.

\*\* Total cylinder collapsed height with optional tilt saddle equals ( dim.A - dim.K + dim.K1 )

AR-SERIES CONTINUED...

CYLINDERS

Model Number	Cylinder Capacity ton* / kN	Stroke (mm)	Cylinder Effective Area (cm <sup>2</sup> )	Oil Capacity (cm <sup>3</sup> )	A Collapsed Height (mm)	B Extended Height (mm)	D Outside Diameter (mm)	
AR-1502	150	1,386	50	198.0	1,005	193	243	254
AR-1504		1,386	101	198.0	2,011	244	345	254
AR-1506		1,386	152	198.0	3,016	295	447	254
AR-1508		1,386	203	198.0	4,020	345	548	254
AR-15010		1,386	254	198.0	5,027	397	651	254

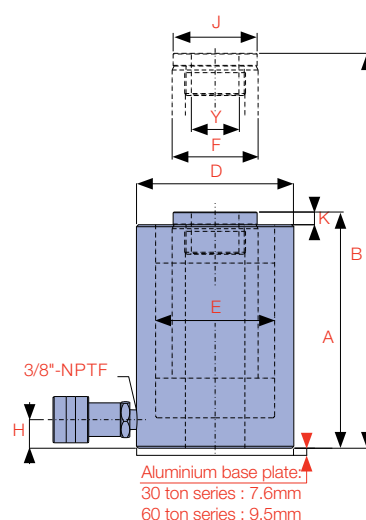
# ARHS | SERIES



**EXCEEDS**  
ANSI/ASME B30.1  
**SAFETY**  
STANDARDS

### THE ARHS-SERIES IS A SPRING RETURN HOLLOW PISTON ROD ALUMINIUM CYLINDER.

The hollow piston allows for a rod or cable to be inserted through the entire body length. They can be used in tensioning, load testing, bush extracting and maintenance applications where weight and portability are paramount. All cylinders incorporate a bolt on removable aluminium base plate for extra protection.



Model Number	Cylinder Capacity ton* / kN	Stroke (mm)	Cylinder Effective Area (cm <sup>2</sup> )	Oil Capacity (cm <sup>3</sup> )	A Collapsed Height (mm)	B Extended Height (mm)	D Outside Diameter (mm)
ARHS-303	30	326	75	46.5	361	219	139
ARHS-306		326	152	46.5	721	296	139
ARHS-603	60	555	75	79.3	606	261	190
ARHS-606		555	152	79.3	1,213	337	190

\* Nominal Cylinder Capacity in ton - see kN values for actual capacity

E Cylinder Bore Diameter (mm)	F Piston Rod Diameter (mm)	H Base to Advance Port (mm)	J Standard Saddle Diameter (mm)	K Saddle Protrusion from Piston Rod (mm)	Optional Tilt Saddle			Weight (kg)
					Model Number	J1 Diameter (mm)	**K1 Height (mm)	
158.9	127.0	38	114	3	ATS-150	108	46	24.8
158.9	127.0	38	114	3	ATS-150	108	46	30.6
158.9	127.0	38	114	3	ATS-150	108	46	36.6
158.9	127.0	38	114	3	ATS-150	108	46	43.1
158.9	127.0	38	114	3	ATS-150	108	46	50.8

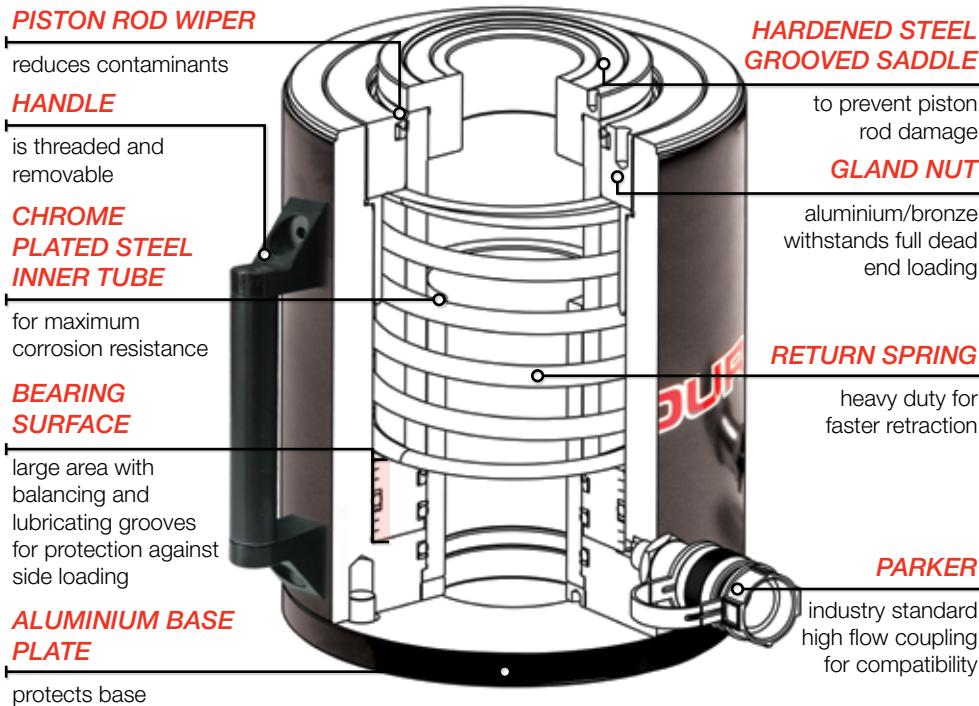


### Caution...

Lightweight **aluminium cylinders** are **not** designed for production applications. Refer to Durapac for information relating to high cycle applications.

B  
CYLINDERS

# ARHS | SERIES



**CAPACITY**  
30 - 60 ton

**STROKE**  
75 - 152 mm

**MAXIMUM OPERATING PRESSURE**  
700 bar

E Cylinder Bore Diameter (mm)	F Piston Rod Diameter (mm)	H Base to Advance Port (mm)	J Standard Saddle Diameter (mm)	K Saddle Protrusion from Piston Rod (mm)	Y Centre Hole Diameter (mm)	Weight (kg)
89.0	63.5	25	64	10	32.3	9.9
89.0	63.5	25	64	10	32.3	13.6
120.8	92.1	25	92	13	54.0	19.0
120.8	92.1	25	92	13	54.0	24.9



### Caution...

**Protective aluminium base plate** protects the cylinder and should **not** be removed. **Threaded base holes** should **not** be used for any other purpose.

\*\* Total cylinder collapsed height with optional tilt saddle equals ( dim.A - dim.K + dim.K1 )

**B**

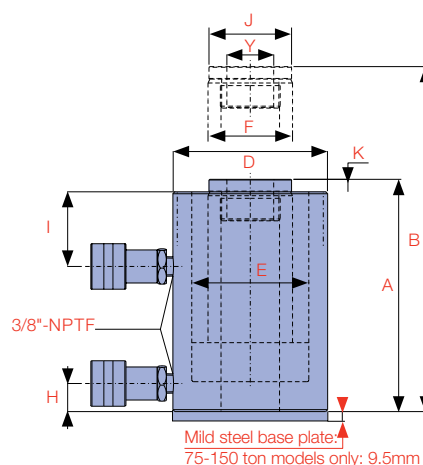
**CYLINDERS**



**EXCEEDS**  
ANSI/ASME B30.1  
**SAFETY**  
STANDARDS

## THE ARHD-SERIES IS A DOUBLE ACTING HOLLOW PISTON ROD ALUMINIUM CYLINDER.

The hollow piston allows for a rod or cable to be inserted through the entire body length, while the double acting design improves speed of operation when longer stroke cylinders are required. They can be used in tensioning, load testing and maintenance applications where weight and portability are paramount. Cylinders 75-150 ton incorporate a mild steel base plate for extra protection.



Model Number	Cylinder Capacity			Stroke (mm)	Cylinder Effective Area		Oil Capacity		A Collapsed Height (mm)	B Extended Height (mm)	D Outside Diameter (mm)
	ton*	Advance kN	Retract kN		Advance (cm <sup>2</sup> )	Retract (cm <sup>2</sup> )	Advance (cm <sup>3</sup> )	Retract (cm <sup>3</sup> )			
ARHD-302	30	287	91	50	40.97	13.03	208	67	191	241	139
ARHD-304		287	91	100	40.97	13.03	416	133	242	342	139
ARHD-306		287	91	152	40.97	13.03	624	200	293	445	139
ARHD-3010		287	91	254	40.97	13.03	1,040	332	394	648	139
ARHD-502	50	465	155	50	66.45	22.12	337	112	191	241	191
ARHD-504		465	155	100	66.45	22.12	675	225	242	342	191
ARHD-506		465	155	152	66.45	22.12	1,013	337	293	445	191
ARHD-5010		465	155	254	66.45	22.12	1,689	563	394	648	191
ARHD-752	75	688	281	50	98.25	40.13	499	203	242	292	228
ARHD-754		688	281	100	98.25	40.13	998	407	293	393	228
ARHD-756		688	281	152	98.25	40.13	1,497	611	343	495	228
ARHD-7510		688	281	254	98.25	40.13	2,495	1,019	445	699	228
ARHD-1002	100	975	339	50	139.29	48.45	707	246	254	304	279
ARHD-1004		975	339	100	139.29	48.45	1,415	492	305	405	279
ARHD-1006		975	339	152	139.29	48.45	2,123	738	355	507	279
ARHD-10010		975	339	254	139.29	48.45	3,539	1,230	457	711	279
ARHD-1502	150	1,421	497	50	203.03	70.96	1,004	295	254	304	304
ARHD-1504		1,421	497	100	203.03	70.96	2,008	590	305	405	304
ARHD-1506		1,421	497	152	203.03	70.96	3,012	885	355	507	304
ARHD-15010		1,421	497	254	203.03	70.96	5,021	1,475	457	711	304

\* Nominal Cylinder Capacity in ton - see kN values for actual capacity



**HARDENED STEEL GROOVED SADDLE \*\***

to prevent piston rod damage

**HANDLE**

is threaded and removable

**STOP RING**

withstands full dead end loading

**BEARING SURFACE**

large area with balancing and lubricating grooves for protection against side loading

**MILD STEEL BASE PLATE**

75-150 Ton models only

**PISTON ROD WIPER**

reduces contaminants

**SAFETY PRESSURE**

relief valve protects cylinder from intensification

**CHROME PLATED STEEL INNER TUBE**

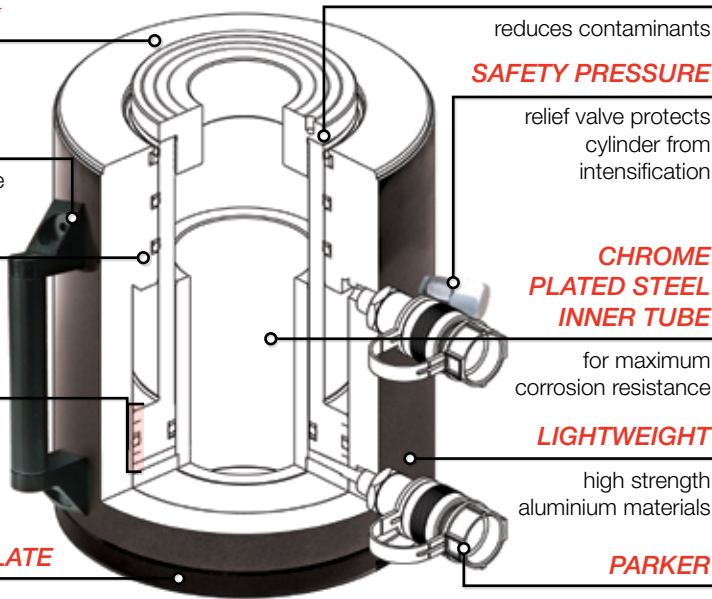
for maximum corrosion resistance

**LIGHTWEIGHT**

high strength aluminium materials

**PARKER**

industry standard high flow coupling for compatibility



**CAPACITY**  
**30 - 150 ton**

**STROKE**  
**50 - 254 mm**

**MAXIMUM OPERATING PRESSURE**  
**700 bar**

**B**  
**CYLINDERS**

E Cylinder Bore Diameter (mm)	F Piston Rod Diameter (mm)	H Base to Advance Port (mm)	I Top to Return Port (mm)	J Standard Saddle Diameter (mm)	K Saddle Protrusion from Piston Rod (mm)	Y Centre Hole Diameter (mm)	Weight (kg)
92.2	82.6	51	51	70	13	38.0	9.1
92.2	82.6	51	51	70	13	38.0	10.9
92.2	82.6	51	51	70	13	38.0	12.6
92.2	82.6	51	51	70	13	38.0	17.0
117.6	104.8	51	51	92	13	54.0	15.0
117.6	104.8	51	51	92	13	54.0	18.6
117.6	104.8	51	51	92	13	54.0	22.0
117.6	104.8	51	51	92	13	54.0	29.5
143.0	123.7	51	51	122	13	69.9	23.5
143.0	123.7	51	51	122	13	69.9	32.0
143.0	123.7	51	51	122	13	69.9	38.5
143.0	123.7	51	51	122	13	69.9	45.3
171.6	152.4	69	56	152	13	88.9	38.5
171.6	152.4	69	56	152	13	88.9	42.3
171.6	152.4	69	56	152	13	88.9	46.4
171.6	152.4	69	69	152	13	88.9	60.0
190.6	165.1	69	56	165	13	88.9	49.0
190.6	165.1	69	56	165	13	88.9	54.8
190.6	165.1	69	56	165	13	88.9	60.0
190.6	165.1	69	69	165	13	88.9	70.8

\*\* Threaded saddles are standard on ARHD 30 and 50 ton models

**Caution...**  
Protective steel base plate protects the cylinder and should **not** be removed. **Threaded base holes** should **not** be used for any other purpose.

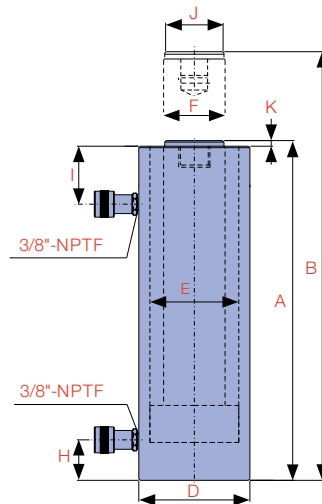
**Caution...**  
Lightweight **aluminium cylinders** are **not** designed for production applications. Refer to Durapac for information relating to high cycle applications.



**EXCEEDS**  
ANSI/ASME B30.1  
**SAFETY**  
STANDARDS

THE **ARD-SERIES** IS A LIGHTWEIGHT DOUBLE ACTING ALUMINIUM CYLINDER THAT IS IDEAL FOR USE IN APPLICATIONS WHERE WEIGHT AND PORTABILITY ARE PARAMOUNT.

ARD-Series cylinders are perfect for bridge lifting, machinery maintenance and other non production applications.



Model Number	Cylinder Capacity			Stroke (mm)	Cylinder Effective Area		Oil Capacity		A Collapsed Height (mm)	B Extended Height (mm)	D Outside Diameter (mm)	E Cylinder Bore Diameter (mm)	F Piston Rod Diameter (mm)
	ton*	Advance kN	Retract kN		Advance (cm <sup>2</sup> )	Retract (cm <sup>2</sup> )	Advance (cm <sup>3</sup> )	Retract (cm <sup>3</sup> )					
ARD-308	30	293	114	203	41.9	16.3	850	295	349	552	114	73.2	63.5
ARD-3013		293	114	330	41.9	16.3	1,488	578	476	806	114	73.2	63.5
ARD-508	50	535	124	203	76.4	17.7	1,447	360	349	552	139	92.2	79.4
ARD-5013		535	124	330	76.4	17.7	2,351	585	476	806	139	92.2	79.4
ARD-756	75	679	146	152	97.0	20.9	1,477	318	312	450	165	111.3	98.4
ARD-758		679	146	203	97.0	20.9	1,971	710	356	559	165	111.3	98.4
ARD-7513		679	146	330	97.0	20.9	3,201	690	490	806	165	111.3	98.4
ARD-1002	100	931	220	50	133.0	31.4	675	154	211	246	203	130.3	108.0
ARD-1006		931	220	152	133.0	31.4	2,027	464	311	463	203	130.3	108.0
ARD-1008		931	220	203	133.0	31.4	2,705	620	356	559	203	130.3	108.0
ARD-10013		931	220	330	133.0	31.4	4,392	1,005	488	818	203	130.3	108.0
ARD-1506	150	1,386	313	152	198.0	44.7	3,016	681	363	488	254	158.9	127.0
ARD-15013		1,386	313	330	198.0	44.7	6,535	1,476	541	844	254	158.9	127.0

\* Nominal Cylinder Capacity in ton - see kN values for actual capacity

**PISTON ROD WIPER**

reduces contaminants

**GLAND NUT**

aluminium/bronze withstands full dead end loading

**HANDLE**

is threaded and removable

**CYLINDER BORE**

has a special anodising treatment to resist damage

**BEARING SURFACE**

large area with balancing and lubricating grooves for protection against side loading

**HARDENED STEEL GROOVED SADDLE**

to prevent piston rod damage. Optional tilt saddles available

**SAFETY PRESSURE**

relief valve protects cylinder from intensification

**PISTON ROD**

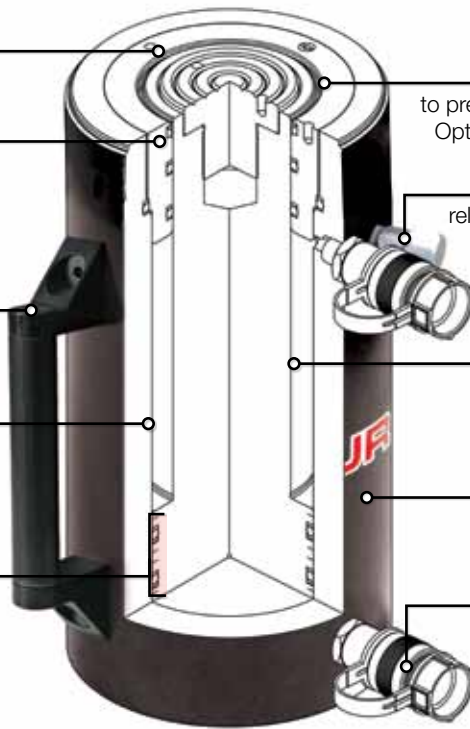
has a special anodising treatment to resist damage

**LIGHTWEIGHT**

high strength aluminium materials

**PARKER**

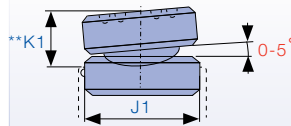
industry standard high flow coupling for compatibility



**CAPACITY**  
**30 - 150 ton**

**STROKE**  
**50 - 330 mm**

**MAXIMUM OPERATING PRESSURE**  
**700 bar**



H Base to Advance Port (mm)	I Top to Return Port (mm)	J Standard Saddle Diameter (mm)	K Saddle Protrusion from Piston Rod (mm)	Optional Tilt Saddle			Weight (kg)
				Model Number	J1 Diameter (mm)	**K1 Depth (mm)	
38	63	51	3	-	-	-	12
38	63	51	3	-	-	-	15
38	63	64	3	ATS-50	60	30	16
38	63	64	3	ATS-50	60	30	21
38	63	76	3	ATS-75	73	30	19
38	63	76	3	ATS-75	73	30	22
38	63	76	3	ATS-75	73	30	27
38	63	89	3	ATS-100	82	30	19
38	63	89	3	ATS-100	82	30	26
38	63	89	3	ATS-100	82	30	32
38	63	89	3	ATS-100	82	30	41
51	76	114	3	ATS-150	108	46	40
51	76	114	3	ATS-150	108	46	55

\*\* Total cylinder collapsed height with optional tilt saddle equals ( dim.A - dim.K + dim.K1 )

**Did you know...**

Durapac has a range of aluminium lightweight pumps to suit the **aluminium cylinder range**.



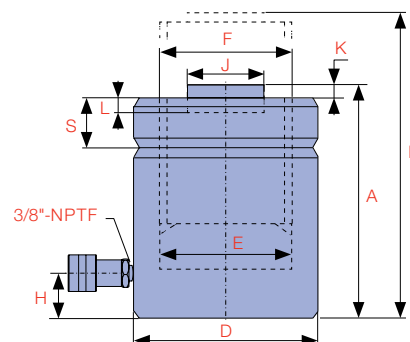
**Caution...**

Lightweight **aluminium cylinders** are **not** designed for production applications. Refer to Durapac for information relating to high cycle applications.



THE **ARSLC-SERIES** IS A SINGLE ACTING SPRING RETURN LOCKING COLLAR ALUMINIUM CYLINDER THAT IS IDEAL FOR USE IN APPLICATIONS WHERE WEIGHT AND PORTABILITY ARE PARAMOUNT.

The design features a threaded piston rod and lock ring. When the lock ring is screwed down and engaged with the cylinder body, the load can be held mechanically for extended periods. These cylinders are ideally suited to applications requiring safe extended load holding. All ARSLC-Series cylinders feature anodised treatment on piston rod and lock ring to resist corrosion and abrasion. Hardened removable saddles are standard and ATS tilt saddles are optional.



Model Number	Cylinder Capacity ton* / kN	Stroke (mm)	Cylinder Effective Area (cm <sup>2</sup> )	Oil Capacity (cm <sup>3</sup> )	A Collapsed Height (mm)	B Extended Height (mm)	D Outside Diameter (mm)	E Cylinder Bore Diameter (mm)	F Piston Rod Diameter (mm)	
ARSLC-302	30	294	51	41.94	213	197	248	114	73	63.5
ARSLC-304		294	102	41.94	426	248	349	114	73	63.5
ARSLC-306		294	152	41.94	639	299	451	114	73	63.5
ARSLC-308		294	203	41.94	852	350	552	114	73	63.5
ARSLC-3010		294	254	41.94	1,065	401	654	114	73	63.5
ARSLC-502	50	499	51	71.23	355	207	257	140	95	79.4
ARSLC-504		499	102	71.23	710	258	359	140	95	79.4
ARSLC-506		499	152	71.23	1,064	308	460	140	95	79.4
ARSLC-508		499	203	71.23	1,418	359	562	140	95	79.4
ARSLC-5010		499	254	71.23	1,773	410	664	140	95	79.4
ARSLC-1002	100	934	51	133.42	664	213	264	203	130	108.0
ARSLC-1004		934	102	133.42	1,327	264	365	203	130	108.0
ARSLC-1006		934	152	133.42	1,991	315	467	203	130	108.0
ARSLC-1008		934	203	133.42	2,655	366	568	203	130	108.0
ARSLC-10010		934	254	133.42	3,318	416	670	203	130	108.0
ARSLC-1502	150	1,386	51	197.94	993	213	264	254	159	127.0
ARSLC-1504		1,386	102	197.94	1,986	264	365	254	159	127.0
ARSLC-1506		1,386	152	197.94	2,979	315	467	254	159	127.0
ARSLC-1508		1,386	203	197.94	3,972	366	568	254	159	127.0
ARSLC-15010		1,386	254	197.94	4,965	416	670	254	159	127.0

\* Nominal Cylinder Capacity in ton - see kN values for actual capacity

### LOCK RING

holds the load mechanically and is treated with yellow chromate

### PISTON ROD

has a special anodising treatment to resist damage

### HANDLE

is threaded and removable

### ANODISED FINISH

enhances appearance and reduces corrosion

### BEARING SURFACE

large area with balancing and lubricating grooves for protection against side loading

### HARDENED STEEL GROOVED SADDLE

to prevent piston rod damage. Optional tilt saddles available

### GLAND NUT

aluminium/bronze withstands full dead end loading

### LIGHTWEIGHT

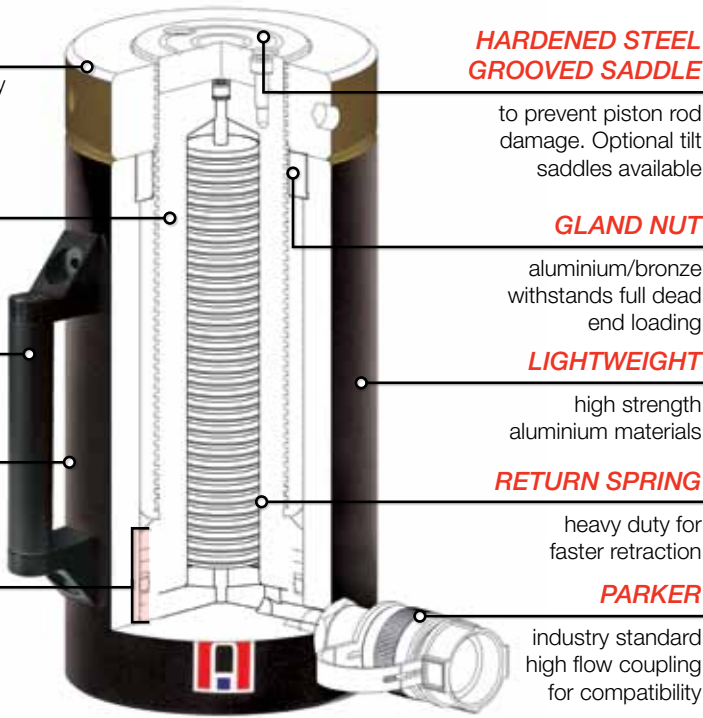
high strength aluminium materials

### RETURN SPRING

heavy duty for faster retraction

### PARKER

industry standard high flow coupling for compatibility

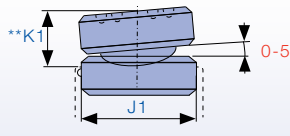


**B**  
**CYLINDERS**

CAPACITY  
**30 - 150 ton**

STROKE  
**51 - 254 mm**

MAXIMUM OPERATING PRESSURE  
**700 bar**



H Base to Advance Port (mm)	J Standard Saddle Diameter (mm)	K Saddle Protrusion from Piston Rod (mm)	L Depth of Piston Rod Hole (mm)	S Lock Nut Height (mm)	Optional Tilt Saddle			Weight (kg)
					Model Number	J1 Diameter (mm)	**K1 Depth (mm)	
38	51	3	10	32	-	-	-	6.8
38	51	3	10	32	-	-	-	8.2
38	51	3	10	32	-	-	-	9.5
38	51	3	10	32	-	-	-	10.9
38	51	3	10	32	-	-	-	12.2
38	64	3	10	38	ATS-50	60	30	9.5
38	64	3	10	38	ATS-50	60	30	11.8
38	64	3	10	38	ATS-50	60	30	13.2
38	64	3	10	38	ATS-50	60	30	15.4
38	64	3	10	38	ATS-50	60	30	17.2
38	89	3	10	44	ATS-100	82	30	19.5
38	89	3	10	44	ATS-100	82	30	23.1
38	89	3	10	44	ATS-100	82	30	27.2
38	89	3	10	44	ATS-100	82	30	31.3
38	89	3	10	44	ATS-100	82	30	34.9
38	114	3	10	44	ATS-150	108	46	29.9
38	114	3	10	44	ATS-150	108	46	35.8
38	114	3	10	44	ATS-150	108	46	41.7
38	114	3	10	44	ATS-150	108	46	48.1
38	114	3	10	44	ATS-150	108	46	55.8

\*\* Total cylinder collapsed height with optional tilt saddle equals ( dim.A - dim.K + dim.K1 )

### Did you know...

**RPLC-Series** pancake locking collar cylinders are perfect for applications that require sustained load holding in a compact low height package 60-500 ton.



### Caution...

Lightweight **aluminium cylinders** are **not** designed for production applications. Refer to Durapac for information relating to high cycle applications.

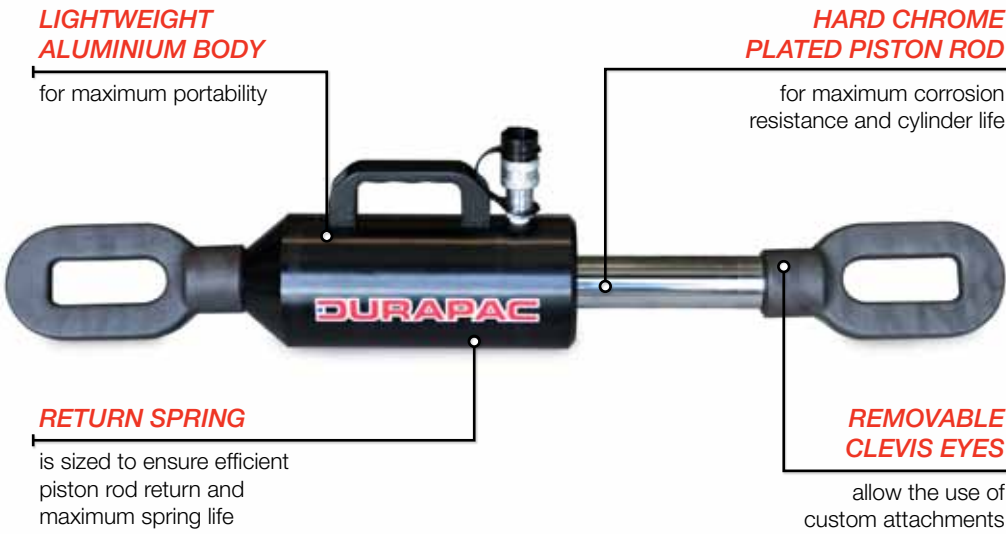
THE **RAP-SERIES** IS A LIGHTWEIGHT SPRING RETURN ALUMINIUM PULL CYLINDER USED IN STEEL STRUCTURAL WORKS, SHIP BUILDING AND TOWER TENSIONING.

All RAP-Series cylinders feature a hard chrome steel piston rod and bronze overlay on the piston bearing area. Clevis eyes can be removed to allow use of the body and piston rod threads.



Model Number	Cylinder Capacity ton* / kN		Stroke (mm)	Cylinder Effective Area (cm <sup>2</sup> )	Oil Capacity (cm <sup>3</sup> )
RAP-106	10	109	150	15.7	236
RAP-206	20	197	150	28.2	424
RAP-306	30	307	150	44.0	660
RAP-506	50	504	150	72.1	1,082

\* Nominal Cylinder Capacity in ton - see kN values for actual capacity

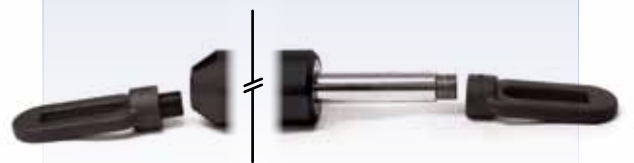
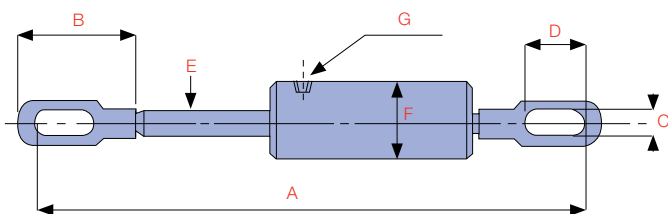


**B**  
**CYLINDERS**

**Did you know...**  
The **P-2200A** lightweight aluminium hand pump is the perfect choice when portable manual power is desired.



Model Number	Base Thread	Piston Rod Thread
<b>RAP-106</b>	M28 x 2 female	M28 x 2 female
<b>RAP-206</b>	M39 x 3 female	M39 x 3 male
<b>RAP-306</b>	M45 x 2.5 female	M45 x 2.5 male
<b>RAP-506</b>	M50 x 3 female	M50 x 3 male



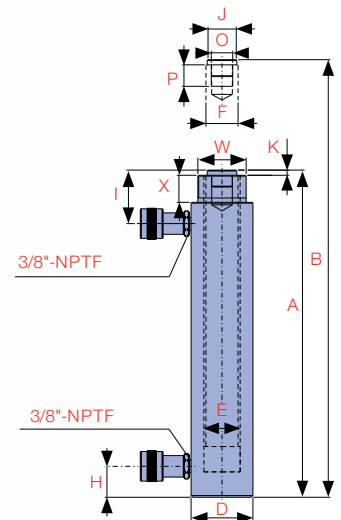
A	B	C	D	E	F	G	Weight (kg)	Model Number	Handle Type
Extended Height (mm)	Clevis Length (mm)	Clevis Eye Height (mm)	Clevis Eye Length (mm)	Piston Rod Diameter (mm)	Cylinder Diameter (mm)	Port Thread Type			
763	171	30	115	40	88	3/8"-NPTF	10.3	<b>RAP-106</b>	♣
807	215	35	120	45	108	3/8"-NPTF	13.5	<b>RAP-206</b>	♣
849	226	44	110	50	125	3/8"-NPTF	19.0	<b>RAP-306</b>	♣
897	273	50	150	54	158	3/8"-NPTF	34.0	<b>RAP-506</b>	♣

**HANDLE TYPES:** ♣ WELDED ♦ EYEBOLT ♥ REMOVABLE STRAP HANDLE ♣ THREAD



THE **RD-SERIES** IS A VERSATILE AND HEAVY DUTY DOUBLE ACTING CYLINDER FOR USE IN INDUSTRIAL APPLICATIONS REQUIRING HIGH POWER AND PRECISE POSITIONING OF HEAVY LOADS.

All RD-Series cylinders can be used in high working cycle applications and are perfect for bridge lifting, hydraulic presses, construction and maintenance applications. Cylinder body mounting threads and base mounting holes on most models allow greater mounting flexibility. All cylinders have a hard chrome piston rod, bronze overlay on the piston bearing area and retract side safety pressure relief valves to ensure long term, trouble free performance.



RD-1010 - 3014

Model Number	Cylinder Capacity			Stroke (mm)	Cylinder Effective Area		Oil Capacity		A Collapsed Height (mm)	B Extended Height (mm)	D Outside Diameter (mm)	E Cylinder Bore Diameter (mm)	F Piston Rod Diameter (mm)	H Base to Advance Port (mm)
	ton*	Advance kN	Retract kN		Advance (cm <sup>2</sup> )	Retract (cm <sup>2</sup> )	Advance (cm <sup>3</sup> )	Retract (cm <sup>3</sup> )						
RD-1010	10	101	33	254	14.5	4.8	367	124	409	663	73	42.9	34.9	36
RD-1012		101	33	305	14.5	4.8	441	149	457	762	73	42.9	34.9	36
RD-308	30	295	133	209	42.1	19.1	879	399	387	596	101	73.2	54.1	57
RD-3014		295	133	368	42.1	19.1	1,548	702	549	917	101	73.2	54.1	57
RD-506	50	498	150	156	71.2	21.5	1,110	338	332	487	127	95.2	79.5	28
RD-5013		498	150	334	71.2	21.5	2,376	719	509	843	127	95.2	79.5	28
RD-5020		498	150	511	71.2	21.5	3,636	1,100	733	1,244	127	95.2	79.5	57
RD-756	75	718	220	156	102.6	31.4	1,600	490	347	503	146	114.3	95.2	30
RD-7513		718	220	333	102.6	31.4	3,415	1,046	525	858	146	114.3	95.2	30
RD-1006	100	933	435	168	133.3	62.2	2,239	1,044	357	525	177	130.3	95.2	38
RD-10013		933	435	333	133.3	62.2	4,438	2,069	524	857	177	130.3	95.2	38
RD-10018		933	435	460	133.3	62.2	6,131	2,858	687	1,147	177	130.3	95.2	41

\* Nominal Cylinder Capacity in ton - see kN values for actual capacity



**SAFETY PRESSURE**

relief valve protects cylinder

**PISTON ROD WIPER**

reduces contaminants

**GLAND NUT**

with low friction coating withstands full dead end loading

**HARD CHROME PLATED PISTON ROD**

for maximum corrosion resistance and cylinder life

**BRONZE OVERLAY**

on piston bearing area reduces side load induced damage and extends cylinder life

**HARDENED GROOVED SADDLE**

to prevent piston rod damage. Optional tilt saddles available

**CYLINDER BODY MOUNTING THREADS**

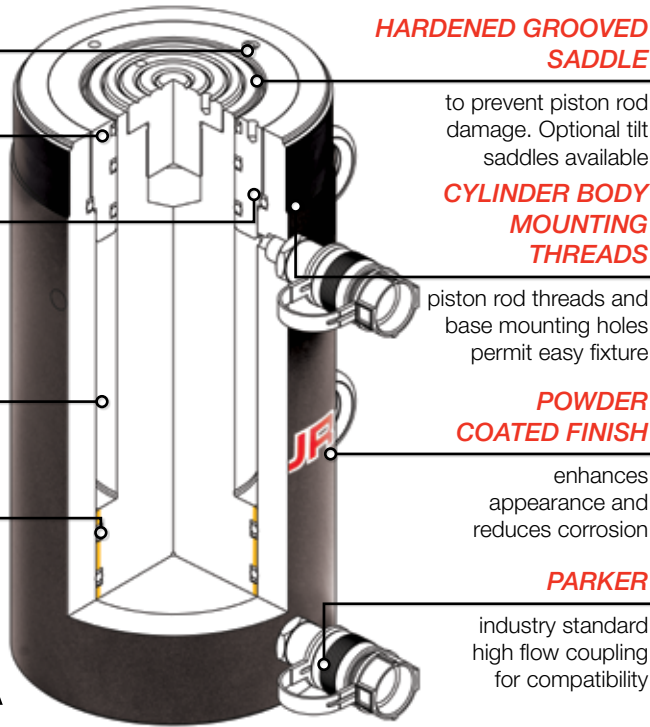
piston rod threads and base mounting holes permit easy fixture

**POWDER COATED FINISH**

enhances appearance and reduces corrosion

**PARKER**

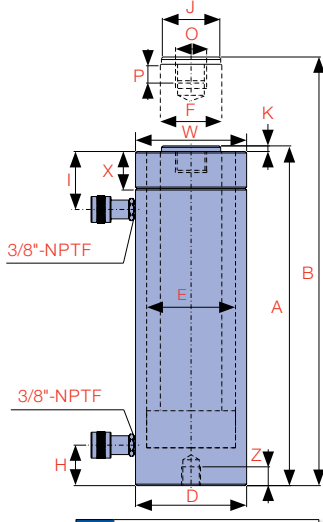
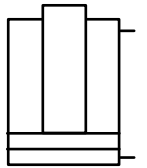
industry standard high flow coupling for compatibility



CAPACITY  
**10 - 500 ton**

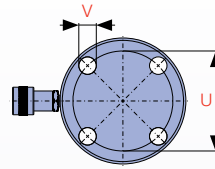
STROKE  
**57 - 1,219 mm**

MAXIMUM OPERATING PRESSURE  
**700 bar**

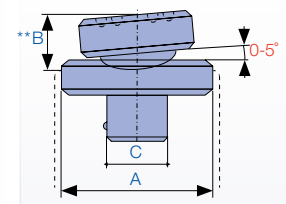


**RD-506 - 10018**

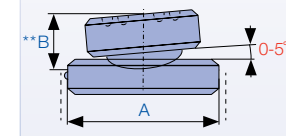
NO MOUNTING HOLES ON 10, 30 & 75 ton, RD-506 & RD-5013 models



**RD-5020 - 10018**



**TSX-10, 50**



**TSX-100**

I Top to Return Port (mm)	J Standard Saddle Diameter (mm)	K Saddle Protrusion from Piston Rod (mm)	O Piston Rod Internal Thread	P Piston Rod Thread Length (mm)	Base Mounting Holes			W Collar Thread (UN)	X Collar Thread Length (mm)	Weight (kg)	Optional Tilt Saddle			Handle Type	
					U Bolt Circle Diameter (mm)	V Thread (UNC)	Z Thread Depth (mm)				Model Number	A (mm)	**B (mm)		C (mm)
57	35	6	1"-8UNC	25	-	-	-	2-1/4"-14	26	12	TSX-10	35	20	22	
57	35	6	1"-8UNC	25	-	-	-	2-1/4"-14	26	14	TSX-10	35	20	22	
81	50	10	1-1/2"-16UN	25	-	-	-	3-5/16"-12	49	18	TSX-50	50	21	36	
81	50	10	1-1/2"-16UN	25	-	-	-	3-5/16"-12	49	29	TSX-50	50	21	36	
76	71	2	1"-12UNF	25	-	-	-	5"-12	50	30	TSX-100	71	25	-	♥
76	71	2	1"-12UNF	25	-	-	-	5"-12	50	52	TSX-100	71	25	-	♥
76	71	2	1"-12UNF	25	76	1/2"-13	25	5"-12	50	68	TSX-100	71	25	-	♥
76	71	6	1"-12UNF	38	-	-	-	5-3/4"-12	38	41	TSX-100	71	25	-	♥
81	71	6	1"-12UNF	38	-	-	-	5-3/4"-12	38	68	TSX-100	71	25	-	♥
71	76	3	1-3/4"-12UN	35	139	3/4"-10	25	6-7/8"-12	50	61	CONTACT DURAPAC			♦	
71	76	3	1-3/4"-12UN	35	139	3/4"-10	25	6-7/8"-12	50	93	"			♦	
92	76	3	1-3/4"-12UN	35	139	3/4"-10	25	6-7/8"-12	50	117	"			♦	

**HANDLE TYPES:** ♠ WELDED ♦ EYEBOLT ♥ REMOVABLE STRAP HANDLE ♣ THREAD

\*\* Total cylinder collapsed height with optional tilt saddle equals ( dim.A - dim.K + dim.B )

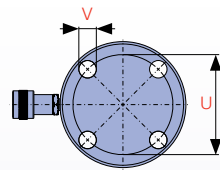
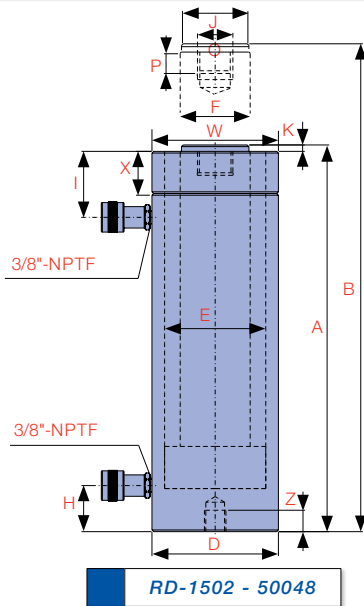
**B**

**CYLINDERS**

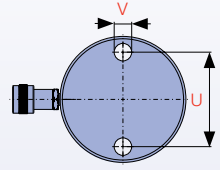


Model Number	Cylinder Capacity			Stroke (mm)	Cylinder Effective Area		Oil Capacity		A Collapsed Height (mm)	B Extended Height (mm)	D Outside Diameter (mm)	E Cylinder Bore Diameter (mm)	F Piston Rod Diameter (mm)	H Base to Advance Port (mm)
	ton*	Advance kN	Retract kN		Advance (cm <sup>2</sup> )	Retract (cm <sup>2</sup> )	Advance (cm <sup>3</sup> )	Retract (cm <sup>3</sup> )						
RD-1502	150	1,386	668	57	198.1	95.4	1,128	544	183	240	203	158.8	114.3	22
RD-1506		1,386	668	156	198.1	95.4	3,088	1,488	385	541	203	158.8	114.3	49
RD-15013		1,386	668	333	198.1	95.4	6,592	3,177	563	897	203	158.8	114.3	49
RD-15032		1,386	668	815	198.1	95.4	16,133	7,775	1,116	1,931	203	158.8	114.3	76
RD-2006	200	1,995	1,017	152	285.0	145.3	4,330	2,207	430	582	247	190.5	133.4	57
RD-20013		1,995	1,017	330	285.0	145.3	9,401	4,791	608	938	247	190.5	133.4	57
RD-20018		1,995	1,017	457	285.0	145.3	13,019	6,635	765	1,222	247	190.5	133.4	85
RD-20024		1,995	1,017	610	285.0	145.3	17,378	8,856	917	1,527	247	190.5	133.4	85
RD-20036		1,995	1,017	914	285.0	145.3	26,049	13,270	1,222	2,136	247	190.5	133.4	85
RD-20048		1,995	1,017	1,219	285.0	145.3	34,741	17,698	1,527	2,746	247	190.5	133.4	85
RD-3006	300	3,201	1,703	153	457.3	243.2	6,993	3,719	485	638	311	241.3	165.1	88
RD-30012		3,201	1,703	305	457.3	243.2	13,941	7,414	638	943	311	241.3	165.1	88
RD-30018		3,201	1,703	457	457.3	243.2	20,888	11,110	790	1,247	311	241.3	165.1	88
RD-30024		3,201	1,703	609	457.3	243.2	27,849	14,805	943	1,552	311	241.3	165.1	88
RD-30036		3,201	1,703	915	457.3	243.2	41,842	22,243	1,247	2,162	311	241.3	165.1	88
RD-30048		3,201	1,703	1,219	457.3	243.2	55,744	29,633	1,552	2,771	311	241.3	165.1	88
RD-4006	400	4,292	2,297	152	613.1	328.1	9,315	4,984	538	690	358	279.4	190.5	108
RD-40012		4,292	2,297	305	613.1	328.1	18,691	10,002	690	995	358	279.4	190.5	108
RD-40018		4,292	2,297	457	613.1	328.1	28,018	14,986	843	1,300	358	279.4	190.5	108
RD-40024		4,292	2,297	610	613.1	328.1	37,399	20,004	995	1,605	358	279.4	190.5	108
RD-40036		4,292	2,297	914	613.1	328.1	56,037	29,973	1,300	2,214	358	279.4	190.5	108
RD-40048		4,292	2,297	1,219	613.1	328.1	74,736	39,974	1,605	2,824	358	279.4	190.5	108
RD-5006	500	5,108	2,838	152	729.7	405.4	11,091	6,175	578	730	397	304.8	203.2	120
RD-50012		5,108	2,838	305	729.7	405.4	22,255	12,357	730	1,035	397	304.8	203.2	120
RD-50018		5,108	2,838	457	729.7	405.4	33,347	18,516	882	1,339	397	304.8	203.2	120
RD-50024		5,108	2,838	609	729.7	405.4	44,438	24,674	1,035	1,644	397	304.8	203.2	120
RD-50036		5,108	2,838	915	729.7	405.4	66,767	37,072	1,339	2,254	397	304.8	203.2	120
RD-50048		5,108	2,838	1,219	729.7	405.4	88,950	49,389	1,644	2,863	397	304.8	203.2	120

\* Nominal Cylinder Capacity in ton - see kN values for actual capacity



RD-1506 - 30048



RD-4006 - 50048

NO MOUNTING HOLES ON RD-1502, 15032



**B**  
CYLINDERS

I Top to Return Port (mm)	J Standard Saddle Diameter (mm)	K Saddle Protrusion from Piston Rod (mm)	O Piston Rod Internal Thread (UN)	P Piston Rod Thread Length (mm)	Base Mounting Holes			W Collar Thread (UN)	X Collar Thread Length (mm)	Weight (kg)	Optional Tilt Saddle			Handle Type
					U Bolt Circle Diameter (mm)	V Thread	Z Thread Depth (mm)				Model Number	A (mm)	B (mm)	
66	93	19	-	-	-	-	-	-	-	49	CONTACT DURAPAC			◆
84	114	19	3-3/8"-16	35	158	3/4"-16UNF	28	8"-12	55	93	"			◆
84	114	19	3-3/8"-16	35	158	3/4"-16UNF	28	8"-12	55	124	"			◆
88	114	19	3-3/8"-16	35	-	-	-	8"-12	55	238	"			◆
96	133	22	-	-	127	1"-8UNC	25	-	-	147	"			◆
96	133	22	2-1/2"-12	63	127	1"-8UNC	25	9-3/4"-12	54	199	"			◆
101	133	22	2-1/2"-12	63	127	1"-8UNC	25	9-3/4"-12	54	204	"			◆
101	133	22	2-1/2"-12	63	127	1"-8UNC	25	9-3/4"-12	54	279	"			◆
101	133	22	2-1/2"-12	63	127	1"-8UNC	25	9-3/4"-12	54	383	"			◆
101	133	22	2-1/2"-12	63	127	1"-8UNC	25	9-3/4"-12	54	483	"			◆
114	165	28	2-1/2"-12	82	158	1-1/4"-7UNC	44	12-1/4"-12	58	200	"			◆
114	165	28	2-1/2"-12	82	158	1-1/4"-7UNC	44	12-1/4"-12	58	312	"			◆
114	165	28	2-1/2"-12	82	158	1-1/4"-7UNC	44	12-1/4"-12	58	385	"			◆
114	165	28	2-1/2"-12	82	158	1-1/4"-7UNC	44	12-1/4"-12	58	469	"			◆
114	165	28	2-1/2"-12	82	158	1-1/4"-7UNC	44	12-1/4"-12	58	628	"			◆
114	165	28	2-1/2"-12	82	158	1-1/4"-7UNC	44	12-1/4"-12	58	780	"			◆
133	190	28	3"-12	95	203	1-1/2"-6UNC	50	14-1/8"-8	65	303	"			◆
133	190	28	3"-12	95	203	1-1/2"-6UNC	50	14-1/8"-8	65	399	"			◆
133	190	28	3"-12	95	203	1-1/2"-6UNC	50	14-1/8"-8	65	453	"			◆
133	190	28	3"-12	95	203	1-1/2"-6UNC	50	14-1/8"-8	65	597	"			◆
133	190	28	3"-12	95	203	1-1/2"-6UNC	50	14-1/8"-8	65	792	"			◆
133	190	28	3"-12	95	203	1-1/2"-6UNC	50	14-1/8"-8	65	980	"			◆
152	203	28	3-1/4"-12	108	203	1-3/4"-5UNC	54	15-5/8"-8	79	432	"			◆
152	203	28	3-1/4"-12	108	203	1-3/4"-5UNC	57	15-5/8"-8	79	589	"			◆
152	203	28	3-1/4"-12	108	203	1-3/4"-5UNC	57	15-5/8"-8	79	680	"			◆
152	203	28	3-1/4"-12	108	203	1-3/4"-5UNC	57	15-5/8"-8	79	816	"			◆
152	203	28	3-1/4"-12	108	203	1-3/4"-5UNC	57	15-5/8"-8	79	1,002	"			◆
152	203	28	3-1/4"-12	108	203	1-3/4"-5UNC	57	15-5/8"-8	79	1,224	"			◆

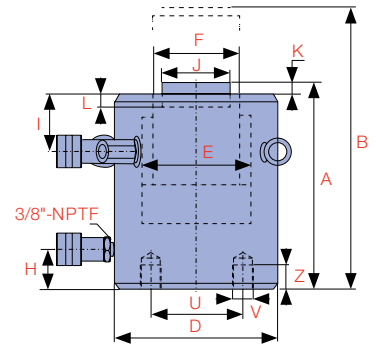
HANDLE TYPES: ♣ WELDED ◆ EYEBOLT ♥ REMOVABLE STRAP HANDLE ♠ THREAD



**EXCEEDS**  
ANSI/ASME B30.1  
**SAFETY**  
STANDARDS

THE **RDHG-SERIES** IS A DOUBLE ACTING HIGH TONNAGE CYLINDER RANGE UP TO 1,600 TON CAPACITY. FOR USE IN CIVIL CONSTRUCTION, HEAVY JACKING, STRESSING BEDS AND OTHER HIGH LOAD APPLICATIONS.

These cylinders feature a hard chrome piston rod for maximum corrosion resistance and bronze overlay piston bearing area to resist side load induced damage. A built in stop ring ensures maximum performance and safety. Interchangeable hardened grooved saddles are standard and TSG tilt saddles are optional. All cylinders in this range have base mounting holes and a retract side concealed safety pressure relief valve.



RDHG-502 - 15012

Model Number	Cylinder Capacity			Stroke (mm)	Cylinder Effective Area		Oil Capacity		A Collapsed Height (mm)	B Extended Height (mm)	D Outside Diameter (mm)	E Cylinder Bore Diameter (mm)	F Piston Rod Diameter (mm)	H Base to Advance Port (mm)
	ton*	Advance kN	Retract kN		Advance (cm <sup>2</sup> )	Retract (cm <sup>2</sup> )	Advance (cm <sup>3</sup> )	Retract (cm <sup>3</sup> )						
RDHG-502	50	539	269	50	77.0	38.5	385	192	162	212	130	99.0	70.1	42
RDHG-504		539	269	100	77.0	38.5	769	384	212	312	130	99.0	70.1	42
RDHG-506		539	269	150	77.0	38.5	1,154	575	262	412	130	99.0	70.1	42
RDHG-508		539	269	200	77.0	38.5	1,539	767	312	512	130	99.0	70.1	42
RDHG-5010		539	269	250	77.0	38.5	1,923	980	362	612	130	99.0	70.1	42
RDHG-5012		539	269	300	77.0	38.5	2,308	1,151	412	712	130	99.0	70.1	42
RDHG-1002	100	929	433	50	132.7	61.8	663	309	182	232	165	130.0	95.0	54
RDHG-1004		929	433	100	132.7	61.8	1,327	618	232	332	165	130.0	95.0	54
RDHG-1006		929	433	150	132.7	61.8	1,990	927	282	432	165	130.0	95.0	54
RDHG-1008		929	433	200	132.7	61.8	2,653	1,236	332	532	165	130.0	95.0	54
RDHG-10010		929	433	250	132.7	61.8	3,317	1,546	382	632	165	130.0	95.0	54
RDHG-10012		929	433	300	132.7	61.8	3,980	1,855	432	732	165	130.0	95.0	54
RDHG-1502	150	1,390	675	50	198.5	96.4	992	482	196	246	205	159.0	114.1	61
RDHG-1504		1,390	675	100	198.5	96.4	1,985	964	246	346	205	159.0	114.1	61
RDHG-1506		1,390	675	150	198.5	96.4	2,977	1,445	296	446	205	159.0	114.1	61
RDHG-1508		1,390	675	200	198.5	96.4	3,969	1,927	346	546	205	159.0	114.1	61
RDHG-15010		1,390	675	250	198.5	96.4	4,961	2,409	396	646	205	159.0	114.1	61
RDHG-15012		1,390	675	300	198.5	96.4	5,954	2,891	446	746	205	159.0	114.1	61

\* Nominal Cylinder Capacity in ton - see kN values for actual capacity

### SAFETY PRESSURE

relief valve protects cylinder from intensification

### PISTON ROD WIPER

reduces contaminants

### HARD CHROME PLATED PISTON ROD

for maximum corrosion resistance and cylinder life

### BRONZE OVERLAY

on piston bearing area reduces side load induced damage and extends cylinder life

### BASE MOUNTING

holes on all models

### HARDENED GROOVED SADDLE

to prevent piston rod damage. Optional tilt saddles available

### STOP RING

withstands full dead end loading

### POWDER COATED FINISH

enhances appearance and reduces corrosion

### PARKER

industry standard high flow coupling for compatibility



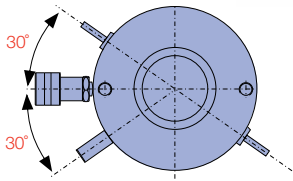
**CAPACITY**  
**50 - 1,600 ton**

**STROKE**  
**50 - 300 mm**

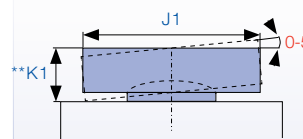
**MAXIMUM OPERATING PRESSURE**  
**700 bar**



**B**  
**CYLINDERS**



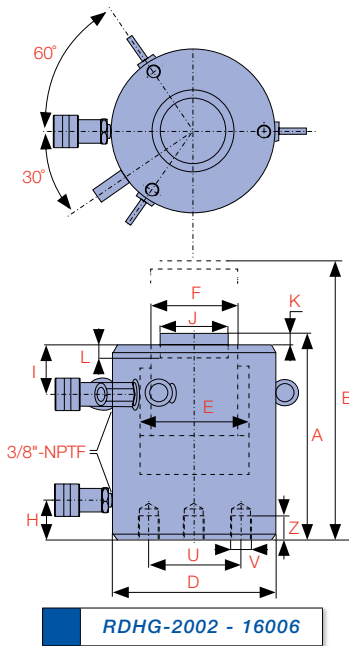
RDHG-502 - 15012



I Top to Return Port (mm)	J Standard Saddle Diameter (mm)	K Saddle Protrusion from Piston Rod (mm)	L Depth of Piston Rod Hole (mm)	Base Mounting Holes			Weight (kg)	Optional Tilt Saddle			Model Number	Handle Type
				U Bolt Circle Diameter (mm)	V Thread	Z Thread Depth (mm)		Model Number	J1 Diameter (mm)	**K1 Height (mm)		
33	50	1	19	65	M12x1.75	22	17.0	TSG-50	50	43	RDHG-502	◆
33	50	1	19	65	M12x1.75	22	20.0	TSG-50	50	43	RDHG-504	◆
33	50	1	19	65	M12x1.75	22	23.0	TSG-50	50	43	RDHG-506	◆
33	50	1	19	65	M12x1.75	22	27.0	TSG-50	50	43	RDHG-508	◆
33	50	1	19	65	M12x1.75	22	31.0	TSG-50	50	43	RDHG-5010	◆
33	50	1	19	65	M12x1.75	22	34.0	TSG-50	50	43	RDHG-5012	◆
48	75	1	19	95	M12x1.75	22	29.0	TSG-100	75	48	RDHG-1002	◆
48	75	1	19	95	M12x1.75	22	34.0	TSG-100	75	48	RDHG-1004	◆
48	75	1	19	95	M12x1.75	22	40.0	TSG-100	75	48	RDHG-1006	◆
48	75	1	19	95	M12x1.75	22	46.0	TSG-100	75	48	RDHG-1008	◆
48	75	1	19	95	M12x1.75	22	52.0	TSG-100	75	48	RDHG-10010	◆
48	75	1	19	95	M12x1.75	22	58.0	TSG-100	75	48	RDHG-10012	◆
56	94	1	19	130	M12x1.75	22	39.0	TSG-150	94	50	RDHG-1502	◆
56	94	1	19	130	M12x1.75	22	52.0	TSG-150	94	50	RDHG-1504	◆
56	94	1	19	130	M12x1.75	22	65.0	TSG-150	94	50	RDHG-1506	◆
56	94	1	19	130	M12x1.75	22	78.0	TSG-150	94	50	RDHG-1508	◆
56	94	1	19	130	M12x1.75	22	92.0	TSG-150	94	50	RDHG-15010	◆
56	94	1	19	130	M12x1.75	22	105.0	TSG-150	94	50	RDHG-15012	◆

**HANDLE TYPES:** ♠ WELDED ◆ EYEBOLT ♥ REMOVABLE STRAP HANDLE ♣ THREAD

\*\* Total cylinder collapsed height with optional tilt saddle equals ( dim.A - dim.K + dim.K1 )



### CAUTION...

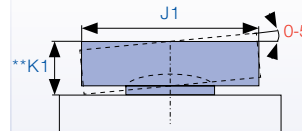
**Mounting Hole Orientation**  
**Top mounting hole** orientation is maintained to port location.  
**Base mounting hole** orientation is **not** maintained to port location.

Model Number	Cylinder Capacity			Stroke (mm)	Cylinder Effective Area		Oil Capacity		A Collapsed Height (mm)	B Extended Height (mm)	D Outside Diameter (mm)	E Cylinder Bore Diameter (mm)	F Piston Rod Diameter (mm)	H Base to Advance Port (mm)
	ton*	Advance kN	Retract kN		Advance (cm <sup>2</sup> )	Retract (cm <sup>2</sup> )	Advance (cm <sup>3</sup> )	Retract (cm <sup>3</sup> )						
RDHG-2002	200	1,861	889	50	265.8	126.7	1,329	634	216	266	235	184.0	133.1	67
RDHG-2006		1,861	889	150	265.8	126.7	3,987	1,901	316	466	235	184.0	133.1	67
RDHG-20012		1,861	889	300	265.8	126.7	7,973	3,801	466	766	235	184.0	133.1	67
RDHG-2502	250	2,565	1,068	50	366.2	152.3	1,831	761	235	285	275	216.0	165.1	73
RDHG-2506		2,565	1,068	150	366.2	152.3	5,494	2,284	335	485	275	216.0	165.1	73
RDHG-25012		2,565	1,068	300	366.2	152.3	10,987	4,568	485	785	275	216.0	165.1	73
RDHG-3002	300	3,193	1,060	50	455.9	151.0	2,280	755	312	362	310	241.0	197.1	101
RDHG-3006		3,193	1,060	150	455.9	151.0	6,839	2,264	412	562	310	241.0	197.1	101
RDHG-30012		3,193	1,060	300	455.9	151.0	13,678	4,529	562	862	310	241.0	197.1	101
RDHG-4002	400	3,919	1,354	50	559.6	193.7	2,798	969	374	424	350	267.0	215.9	114
RDHG-4006		3,919	1,354	150	559.6	193.7	8,394	2,906	474	625	350	267.0	215.9	114
RDHG-40012		3,919	1,354	300	559.6	193.7	16,789	5,811	624	924	350	267.0	215.9	114
RDHG-5002	500	5,114	1,733	50	730.2	247.8	3,651	1,239	419	469	400	305.0	247.9	114
RDHG-5006		5,114	1,733	150	730.2	247.8	10,954	3,717	519	669	400	305.0	247.9	114
RDHG-50012		5,114	1,733	300	730.2	247.8	21,907	7,434	669	969	400	305.0	247.9	114
RDHG-6002	600	5,987	2,068	50	854.9	295.4	4,274	1,477	429	479	430	330.0	267.0	114
RDHG-6006		5,987	2,068	150	854.9	295.4	12,823	4,432	529	679	430	330.0	267.0	114
RDHG-60012		5,987	2,068	300	854.9	295.4	25,646	8,863	679	979	430	330.0	267.0	114
RDHG-8002	800	8,234	2,709	50	1,175.7	386.9	5,878	1,934	474	524	505	387.0	317.0	149
RDHG-8006		8,234	2,709	150	1,175.7	386.9	17,635	5,803	574	724	505	387.0	317.0	149
RDHG-80012		8,234	2,709	300	1,175.7	386.9	35,271	11,607	724	1,024	505	387.0	317.0	149
RDHG-10002	1,000†	10,260	3,792	50	1,465.0	542.0	7,325	2,710	564	614	560	432.0	342.9	174
RDHG-10006		10,260	3,792	150	1,465.0	542.0	21,975	8,130	664	814	560	432.0	342.9	174
RDHG-100012		10,260	3,792	300	1,465.0	542.0	43,950	16,260	814	1,114	560	432.0	342.9	174
RDHG-16006	1,600†	15,703	4,798	155	2,289.2	699.5	35,466	10,836	825	980	710	540.0	450.1	205

\* Nominal Cylinder Capacity in ton - see kN values for actual capacity  
 † Tilt saddle supplied as standard

## Did you know...

Durapac offer power units suitable for operating high tonnage cylinders. Models available include split flow synchronised and high flow single speed up to 8.1 Lpm at 700 bar.



I Top to Return Port (mm)	J Standard Saddle Diameter (mm)	K Saddle Protrusion from Piston Rod (mm)	L Depth of Piston Rod Hole (mm)	Base Mounting Holes			Weight (kg)	Optional Tilt Saddle			Model Number	Handle Type
				U Bolt Circle Diameter (mm)	V Thread	Z Thread Depth (mm)		Model Number	J1 Diameter (mm)	**K1 Height (mm)		
56	113	1	24	165	M12x1.75	22	55.0	TSG-200	113	59	RDHG-2002	◆
56	113	1	24	165	M12x1.75	22	91.0	TSG-200	113	59	RDHG-2006	◆
56	113	1	24	165	M12x1.75	22	146.0	TSG-200	113	59	RDHG-20012	◆
78	145	1	24	190	M12x1.75	22	89.0	TSG-250	145	70	RDHG-2502	◆
78	145	1	24	190	M12x1.75	22	136.0	TSG-250	145	70	RDHG-2506	◆
78	145	1	24	190	M12x1.75	22	207.0	TSG-250	145	70	RDHG-25012	◆
75	177	1	19	180	M16x2	36	184.0	TSG-300	177	81	RDHG-3002	◆
75	177	1	19	180	M16x2	36	232.0	TSG-300	177	81	RDHG-3006	◆
75	177	1	19	180	M16x2	36	303.0	TSG-300	177	81	RDHG-30012	◆
105	196	3	27	205	M16x2	36	270.0	TSG-400	196	78	RDHG-4002	◆
105	196	3	27	205	M16x2	36	330.0	TSG-400	196	78	RDHG-4006	◆
105	196	3	27	205	M16x2	36	421.0	TSG-400	196	78	RDHG-40012	◆
135	228	3	27	250	M24x3	38	401.0	TSG-500	228	90	RDHG-5002	◆
135	228	3	27	250	M24x3	38	480.0	TSG-500	228	90	RDHG-5006	◆
135	228	3	27	250	M24x3	38	599.0	TSG-500	228	90	RDHG-50012	◆
135	247	3	27	275	M24x3	38	474.0	TSG-600	247	103	RDHG-6002	◆
135	247	3	27	275	M24x3	38	565.0	TSG-600	247	103	RDHG-6006	◆
135	247	3	27	275	M24x3	38	701.0	TSG-600	247	103	RDHG-60012	◆
135	297	3	27	330	M24x3	38	741.0	TSG-800	297	102	RDHG-8002	◆
135	297	3	27	330	M24x3	38	868.0	TSG-800	297	102	RDHG-8006	◆
135	297	3	27	330	M24x3	38	1,058.0	TSG-800	297	102	RDHG-80012	◆
170	323	3	27	375	M24x3	38	1,062.0	TSG-1000 <sup>†</sup>	323	120	RDHG-10002	◆
170	323	3	27	375	M24x3	38	1,213.0	TSG-1000 <sup>†</sup>	323	120	RDHG-10006	◆
170	323	3	27	375	M24x3	38	1,439.0	TSG-1000 <sup>†</sup>	323	120	RDHG-100012	◆
170	-	-	-	400	M24x3	30	2,179.0	TSG-1600 <sup>†</sup>	385	125	RDHG-16006	◆

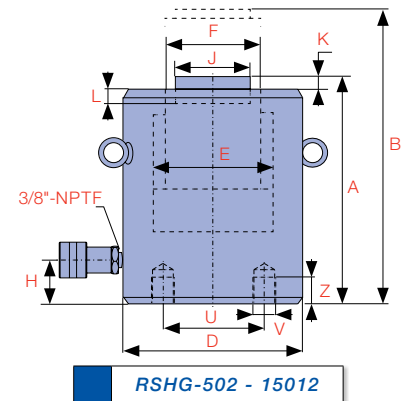
HANDLE TYPES: ♠ WELDED ◆ EYEBOLT ♥ REMOVABLE STRAP HANDLE ♣ THREAD

\*\* Total cylinder collapsed height with optional tilt saddle equals ( dim.A - dim.K + dim.K1 ) † Tilt saddle supplied as standard



**THE RSHG-SERIES IS A SINGLE ACTING LOAD RETURN HIGH TONNAGE CYLINDER RANGE UP TO 1,000 TON CAPACITY.**

These cylinders feature a hard chrome cylinder bore and piston rod for maximum corrosion resistance and bronze overlay piston bearing area to resist side load induced damage. They are ideally suited for use in civil construction, heavy jacking and other high load applications. A built in stop ring ensures maximum performance and safety. Interchangeable hardened grooved saddles are standard and TSG tilt saddles are optional. All cylinders in this range have base mounting holes plus top and side mounted eye bolts for lifting and positioning.



Model Number	Cylinder Capacity ton* / kN	Stroke (mm)	Cylinder Effective Area (cm <sup>2</sup> )	Oil Capacity (cm <sup>3</sup> )	A Collapsed Height (mm)	B Extended Height (mm)	D Outside Diameter (mm)	E Cylinder Bore Diameter (mm)	F Piston Rod Diameter (mm)	H Base to Advance Port (mm)	
RSHG-502	50	539	50	77.0	385	162	212	130	99.0	70.1	52
RSHG-504		539	100	77.0	769	212	312	130	99.0	70.1	52
RSHG-506		539	150	77.0	1,154	262	412	130	99.0	70.1	52
RSHG-508		539	200	77.0	1,539	312	512	130	99.0	70.1	52
RSHG-5010		539	250	77.0	1,923	363	613	130	99.0	70.1	52
RSHG-5012		539	300	77.0	2,308	412	712	130	99.0	70.1	52
RSHG-1002	100	929	50	132.7	663	182	232	165	130.0	95.0	54
RSHG-1004		929	100	132.7	1,327	232	332	165	130.0	95.0	54
RSHG-1006		929	150	132.7	1,990	282	432	165	130.0	95.0	54
RSHG-1008		929	200	132.7	2,653	332	532	165	130.0	95.0	54
RSHG-10010		929	250	132.7	3,317	382	632	165	130.0	95.0	54
RSHG-10012		929	300	132.7	3,980	432	732	165	130.0	95.0	54
RSHG-1502	150	1,390	50	198.6	992	196	246	205	159.0	114.1	61
RSHG-1504		1,390	100	198.6	1,985	246	346	205	159.0	114.1	61
RSHG-1506		1,390	150	198.6	2,977	296	446	205	159.0	114.1	61
RSHG-1508		1,390	200	198.6	3,969	346	546	205	159.0	114.1	61
RSHG-15010		1,390	250	198.6	4,961	396	646	205	159.0	114.1	61
RSHG-15012		1,390	300	198.6	5,954	446	746	205	159.0	114.1	61

\* Nominal Cylinder Capacity in ton - see kN values for actual capacity



**PISTON ROD WIPER**

reduces contaminants

**HARD CHROME PLATED BORE**

for maximum corrosion resistance and cylinder life

**HARD CHROME PLATED PISTON ROD**

for maximum corrosion resistance and cylinder life

**BRONZE OVERLAY**

on the piston bearing area reduces side load induced damage and extends cylinder life

**BASE MOUNTING**

holes on all models

**HARDENED GROOVED SADDLE**

to prevent piston rod damage. Optional tilt saddles available

**STOP RING**

withstands full dead end loading

**POWDER COATED FINISH**

enhances appearance and reduces corrosion

**PARKER**

industry standard high flow coupling for compatibility



CAPACITY

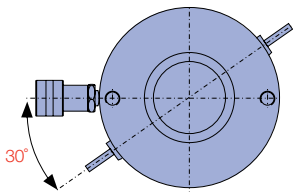
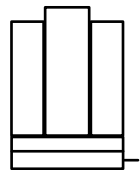
**50 - 1,000 ton**

STROKE

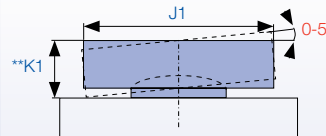
**50 - 300 mm**

MAXIMUM OPERATING PRESSURE

**700 bar**



RSHG-502 - 15012



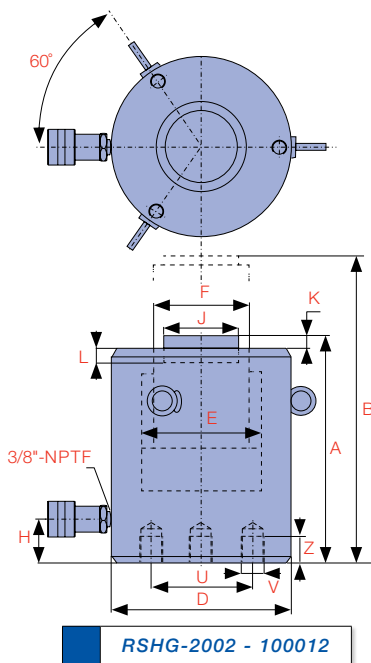
J Standard Saddle Diameter (mm)	K Saddle Protrusion from Piston Rod (mm)	L Depth of Piston Rod Hole (mm)	Base Mounting Holes			Weight (kg)	Optional Tilt Saddle			Model Number	Handle Type
			U Bolt Circle Diameter (mm)	V Thread	Z Thread Depth (mm)		Model Number	J1 Diameter (mm)	**K1 Height (mm)		
50	1	19	65	M12x1.75	22	17.0	TSG-50	50	43	RSHG-502	◆
50	1	19	65	M12x1.75	22	20.0	TSG-50	50	43	RSHG-504	◆
50	1	19	65	M12x1.75	22	23.0	TSG-50	50	43	RSHG-506	◆
50	1	19	65	M12x1.75	22	27.0	TSG-50	50	43	RSHG-508	◆
50	1	19	65	M12x1.75	22	31.0	TSG-50	50	43	RSHG-5010	◆
50	1	19	65	M12x1.75	22	34.0	TSG-50	50	43	RSHG-5012	◆
75	1	19	95	M12x1.75	22	19.0	TSG-100	75	48	RSHG-1002	◆
75	1	19	95	M12x1.75	22	29.0	TSG-100	75	48	RSHG-1004	◆
75	1	19	95	M12x1.75	22	40.0	TSG-100	75	48	RSHG-1006	◆
75	1	19	95	M12x1.75	22	50.0	TSG-100	75	48	RSHG-1008	◆
75	1	19	95	M12x1.75	22	61.0	TSG-100	75	48	RSHG-10010	◆
75	1	19	95	M12x1.75	22	71.0	TSG-100	75	48	RSHG-10012	◆
94	1	19	130	M12x1.75	22	39.0	TSG-150	94	50	RSHG-1502	◆
94	1	19	130	M12x1.75	22	52.0	TSG-150	94	50	RSHG-1504	◆
94	1	19	130	M12x1.75	22	65.0	TSG-150	94	50	RSHG-1506	◆
94	1	19	130	M12x1.75	22	78.0	TSG-150	94	50	RSHG-1508	◆
94	1	19	130	M12x1.75	22	92.0	TSG-150	94	50	RSHG-15010	◆
94	1	19	130	M12x1.75	22	105.0	TSG-150	94	50	RSHG-15012	◆

**HANDLE TYPES:** ♠ WELDED ◆ EYEBOLT ♥ REMOVABLE STRAP HANDLE ♣ THREAD

\*\* Total cylinder collapsed height with optional tilt saddle equals ( dim.A - dim.K + dim.K1 )

**B**

**CYLINDERS**



### Did you know...

Durapac offer power units suitable for operating high tonnage cylinders. Models available include split flow synchronised and high flow single speed up to 8.1 Lpm at 700 bar.



Model Number	Cylinder Capacity ton* / kN	Stroke (mm)	Cylinder Effective Area (cm <sup>2</sup> )	Oil Capacity (cm <sup>3</sup> )	A Collapsed Height (mm)	B Extended Height (mm)	D Outside Diameter (mm)	E Cylinder Bore Diameter (mm)	F Piston Rod Diameter (mm)	H Base to Advance Port (mm)	
RSHG-2002	200	1,861	50	265.9	1,329	216	266	235	184.0	133.1	67
RSHG-2006		1,861	150	265.9	3,987	316	466	235	184.0	133.1	67
RSHG-20012		1,861	300	265.9	7,973	466	766	235	184.0	133.1	67
RSHG-2502	250	2,565	50	366.4	1,831	235	285	275	216.0	165.1	73
RSHG-2506		2,565	150	366.4	5,494	335	485	275	216.0	165.1	73
RSHG-25012		2,565	300	366.4	10,987	485	785	275	216.0	165.1	73
RSHG-3002	300	3,193	50	456.2	2,280	312	362	310	241.0	197.1	101
RSHG-3006		3,193	150	456.2	6,839	412	562	310	241.0	197.1	101
RSHG-30012		3,193	300	456.2	13,678	562	862	310	241.0	197.1	101
RSHG-4002	400	3,919	50	559.9	2,798	375	425	350	267.0	215.9	114
RSHG-4006		3,919	150	559.9	8,394	475	625	350	267.0	215.9	114
RSHG-40012		3,919	300	559.9	16,789	625	925	350	267.0	215.9	114
RSHG-5002	500	5,114	50	730.6	3,651	419	469	400	305.0	247.9	114
RSHG-5006		5,114	150	730.6	10,954	519	669	400	305.0	247.9	114
RSHG-50012		5,114	300	730.6	21,907	669	969	400	305.0	247.9	114
RSHG-6002	600	5,987	50	855.3	4,274	429	479	430	330.0	267.0	114
RSHG-6006		5,987	150	855.3	12,823	529	679	430	330.0	267.0	114
RSHG-60012		5,987	300	855.3	25,646	679	979	430	330.0	267.0	114
RSHG-8002	800	8,234	50	1,176.3	5,878	474	524	505	387.0	317.0	149
RSHG-8006		8,234	150	1,176.3	17,635	574	724	505	387.0	317.0	149
RSHG-80012		8,234	300	1,176.3	35,271	724	1,024	505	387.0	317.0	149
RSHG-10002	1,000 <sup>†</sup>	10,260	50	1,465.7	7,325	564	614	560	432.0	342.9	174
RSHG-10006		10,260	150	1,465.7	21,975	664	814	560	432.0	342.9	174
RSHG-100012		10,260	300	1,465.7	43,950	814	1,114	560	432.0	342.9	174

\* Nominal Cylinder Capacity in ton - see kN values for actual capacity

<sup>†</sup> Tilt saddle supplied as standard

## Did you know...

Low collapsed height *RSH-Series* cylinders are available.



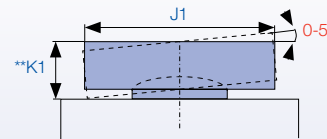
## CAUTION...

**Mounting Hole Orientation**  
**Top mounting hole**

orientation is maintained to port location.

**Base mounting hole**

orientation is **not** maintained to port location.



J Standard Saddle Diameter (mm)	K Saddle Protrusion from Piston Rod (mm)	L Depth of Piston Rod Hole (mm)	Base Mounting Holes			Weight (kg)	Optional Tilt Saddle			Model Number	Handle Type
			U Bolt Circle Diameter (mm)	V Thread	Z Thread Depth (mm)		Model Number	J1 Diameter (mm)	**K1 Height (mm)		
113	1	24	165	M12x1.75	22	55.0	TSG-200	113	59	RSHG-2002	◆
113	1	24	165	M12x1.75	22	91.0	TSG-200	113	59	RSHG-2006	◆
113	1	24	165	M12x1.75	22	146.0	TSG-200	113	59	RSHG-20012	◆
145	1	24	190	M12x1.75	22	102.0	TSG-250	145	70	RSHG-2502	◆
145	1	24	190	M12x1.75	22	136.0	TSG-250	145	70	RSHG-2506	◆
145	1	24	190	M12x1.75	22	207.0	TSG-250	145	70	RSHG-25012	◆
177	1	19	180	M16x2	30	184.0	TSG-300	177	81	RSHG-3002	◆
177	1	19	180	M16x2	30	232.0	TSG-300	177	81	RSHG-3006	◆
177	1	19	180	M16x2	30	303.0	TSG-300	177	81	RSHG-30012	◆
196	3	27	205	M16x2	30	270.0	TSG-400	196	78	RSHG-4002	◆
196	3	27	205	M16x2	36	330.0	TSG-400	196	78	RSHG-4006	◆
196	3	27	205	M16x2	36	421.0	TSG-400	196	78	RSHG-40012	◆
228	3	27	250	M24x3	38	401.0	TSG-500	228	90	RSHG-5002	◆
228	3	27	250	M24x3	38	480.0	TSG-500	228	90	RSHG-5006	◆
228	3	27	250	M24x3	38	599.0	TSG-500	228	90	RSHG-50012	◆
247	3	27	275	M24x3	38	474.0	TSG-600	247	103	RSHG-6002	◆
247	3	27	275	M24x3	38	565.0	TSG-600	247	103	RSHG-6006	◆
247	3	27	275	M24x3	38	701.0	TSG-600	247	103	RSHG-60012	◆
297	3	27	330	M24x3	38	741.0	TSG-800	297	102	RSHG-8002	◆
297	3	27	330	M24x3	38	880.0	TSG-800	297	102	RSHG-8006	◆
297	3	27	330	M24x3	38	1,058.0	TSG-800	297	102	RSHG-80012	◆
323	3	27	375	M24x3	38	1,062.0	TSG-1000†	323	120	RSHG-10002	◆
323	3	27	375	M24x3	38	1,213.0	TSG-1000†	323	120	RSHG-10006	◆
323	3	27	375	M24x3	38	1,439.0	TSG-1000†	323	120	RSHG-100012	◆

**HANDLE TYPES:** ♠ WELDED ◆ EYEBOLT ♥ REMOVABLE STRAP HANDLE ♣ THREAD

\*\* Total cylinder collapsed height with optional tilt saddle equals ( dim.A - dim.K + dim.K1 ) † Tilt saddle supplied as standard

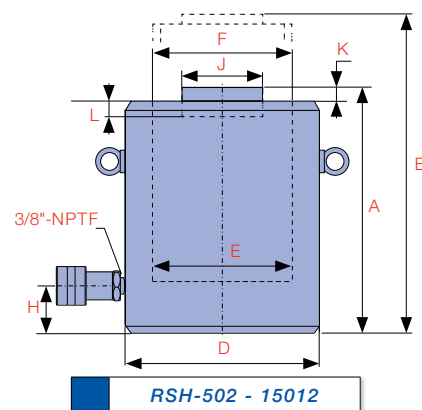
**B**

**CYLINDERS**



**THE *RSH-SERIES* IS A SINGLE ACTING LOAD RETURN HIGH TONNAGE CYLINDER OFFERING THE LOWEST COLLAPSED HEIGHT.**

They are ideally suited for use in civil construction, heavy jacking and other high load applications in confined spaces. These cylinders feature a hard chrome cylinder bore and piston rod for maximum corrosion resistance and bronze overlay piston bearing area to resist side load induced damage. Removable grooved saddle and oil overflow port which restricts piston stroke are standard on all models. TSX tilt saddles are optional. All cylinders in this range have side mounted eye bolts for lifting and positioning.



Model Number	Cylinder Capacity ton* / kN	Stroke (mm)	Cylinder Effective Area (cm <sup>2</sup> )	Oil Capacity (cm <sup>3</sup> )	A Collapsed Height (mm)	B Extended Height (mm)	D Outside Diameter (mm)	E Cylinder Bore Diameter (mm)	F Piston Rod Diameter (mm)
RSH-502	50	496	50	70.8	354	128	178	125	95.0
RSH-504		496	100	70.8	708	178	278	125	95.0
RSH-506		496	150	70.8	1,063	228	378	125	95.0
RSH-508		496	200	70.8	1,417	278	478	125	95.0
RSH-5010		496	250	70.8	1,771	327	577	125	95.0
RSH-5012		496	300	70.8	2,125	378	678	125	95.0
RSH-1002	100	929	50	132.7	663	143	193	165	130.0
RSH-1004		929	100	132.7	1,327	193	293	165	130.0
RSH-1006		929	150	132.7	1,990	243	393	165	130.0
RSH-1008		929	200	132.7	2,653	293	493	165	130.0
RSH-10010		929	250	132.7	3,317	343	593	165	130.0
RSH-10012		929	300	132.7	3,980	392	692	165	130.0
RSH-1502	150	1,390	50	198.5	992	165	215	205	159.0
RSH-1504		1,390	100	198.5	1,985	215	315	205	159.0
RSH-1506		1,390	150	198.5	2,977	265	415	205	159.0
RSH-1508		1,390	200	198.5	3,969	315	515	205	159.0
RSH-15010		1,390	250	198.5	4,961	365	615	205	159.0
RSH-15012		1,390	300	198.5	5,954	414	714	205	159.0

\* Nominal Cylinder Capacity in ton - see kN values for actual capacity

**HARDENED GROOVED SADDLE**

to prevent piston rod damage. Optional tilt saddles available

**HARD CHROME PLATED PISTON ROD**

for maximum corrosion resistance and cylinder life

**BRONZE OVERLAY**

on the piston bearing area reduces side load induced damage and extends cylinder life

**PISTON ROD WIPER**

reduces contaminants

**OVERFLOW PORT**

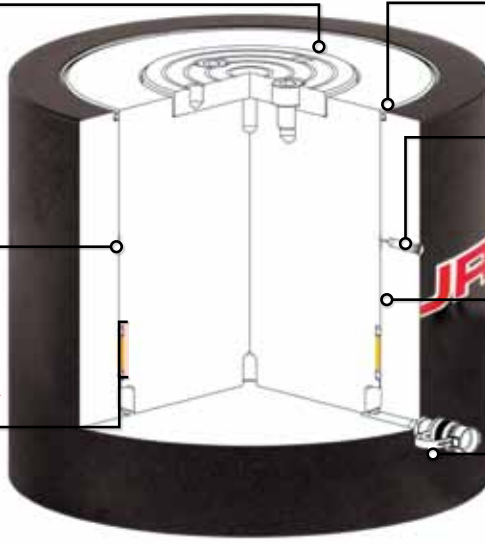
serves as a maximum stroke limiter

**HARD CHROME PLATED BORE**

for maximum corrosion resistance and cylinder life

**PARKER**

industry standard high flow coupling for compatibility



CAPACITY

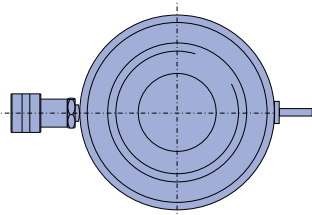
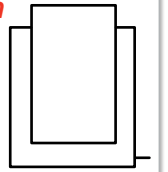
**50 - 1,000 ton**

STROKE

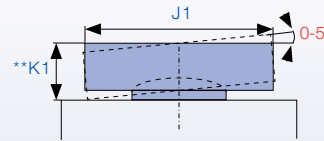
**50 - 300 mm**

MAXIMUM OPERATING PRESSURE

**700 bar**



RSH-502 - 15012

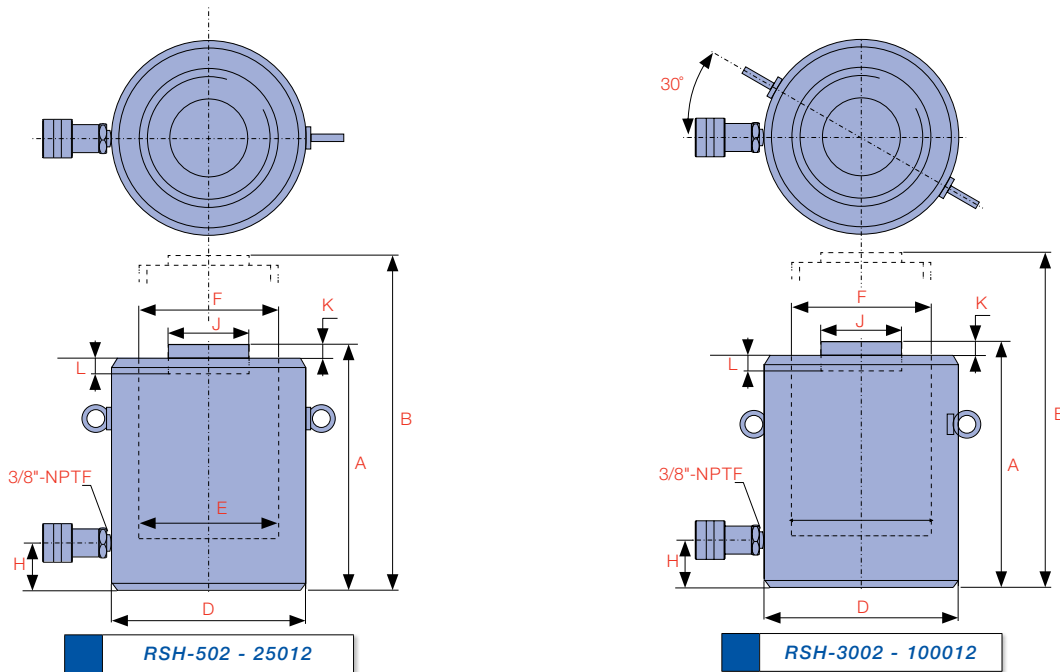


H Base to Advance Port (mm)	J Standard Saddle Diameter (mm)	K Saddle Protrusion from Piston Rod (mm)	L Depth of Piston Rod Hole (mm)	Weight (kg)	Optional Tilt Saddle			Model Number	Handle Type
					Model Number	J1 Diameter (mm)	**K1 Height (mm)		
30	71	2	13	14.0	TSX-100	71	24	RSH-502	◆
30	71	2	13	18.0	TSX-100	71	24	RSH-504	◆
30	71	2	13	23.0	TSX-100	71	24	RSH-506	◆
30	71	2	13	28.0	TSX-100	71	24	RSH-508	◆
30	71	2	13	33.0	TSX-100	71	24	RSH-5010	◆
30	71	2	13	38.0	TSX-100	71	24	RSH-5012	◆
30	71	2	13	24.0	TSX-100	71	24	RSH-1002	◆
30	71	2	13	32.0	TSX-100	71	24	RSH-1004	◆
30	71	2	13	40.0	TSX-100	71	24	RSH-1006	◆
30	71	2	13	49.0	TSX-100	71	24	RSH-1008	◆
30	71	2	13	58.0	TSX-100	71	24	RSH-10010	◆
30	71	2	13	66.0	TSX-100	71	24	RSH-10012	◆
39	130	2	25	43.0	TSX-200	130	20	RSH-1502	◆
39	130	2	25	55.0	TSX-200	130	20	RSH-1504	◆
39	130	2	25	69.0	TSX-200	130	20	RSH-1506	◆
39	130	2	25	82.0	TSX-200	130	20	RSH-1508	◆
39	130	2	25	95.0	TSX-200	130	20	RSH-15010	◆
39	130	2	25	108.0	TSX-200	130	20	RSH-15012	◆

**HANDLE TYPES:** ♠ WELDED ◆ EYEBOLT ♥ REMOVABLE STRAP HANDLE ♣ THREAD

\*\* Total cylinder collapsed height with optional tilt saddle equals ( dim.A - dim.K + dim.K1 )

**B**  
CYLINDERS

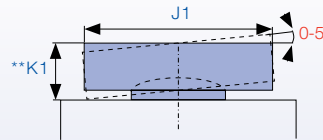


Model Number	Cylinder Capacity ton* / kN	Stroke (mm)	Cylinder Effective Area (cm <sup>2</sup> )	Oil Capacity (cm <sup>3</sup> )	A Collapsed Height (mm)	B Extended Height (mm)	D Outside Diameter (mm)	E Cylinder Bore Diameter (mm)	F Piston Rod Diameter (mm)
RSH-2002	200	1,859	50	265.5	1,327	193	243	235	183.9
RSH-2006		1,859	150	265.5	3,982	293	443	235	183.9
RSH-20012		1,859	300	265.5	7,964	443	743	235	183.9
RSH-2502	250	2,562	50	365.9	1,830	193	243	275	215.9
RSH-2506		2,562	150	365.9	5,489	293	443	275	215.9
RSH-25012		2,562	300	365.9	10,977	443	743	275	215.9
RSH-3002	300	3,193	50	455.9	2,280	235	285	310	241.0
RSH-3006		3,193	150	455.9	6,839	335	485	310	241.0
RSH-30012		3,193	300	455.9	13,678	485	785	310	241.0
RSH-4002	400	3,919	50	559.6	2,798	265	315	350	267.0
RSH-4006		3,919	150	559.6	8,394	365	515	350	267.0
RSH-40012		3,919	300	559.6	16,789	515	815	350	267.0
RSH-5002	500	5,118	50	730.7	3,654	295	345	400	305.1
RSH-5006		5,118	150	730.7	10,961	395	545	400	305.1
RSH-50012		5,118	300	730.7	21,922	545	845	400	305.1
RSH-6002	600	5,983	50	854.3	4,272	310	360	430	329.9
RSH-6006		5,983	150	854.3	12,815	410	560	430	329.9
RSH-60012		5,983	300	854.3	25,630	560	860	430	329.9
RSH-8002	800	8,238	50	1,176.3	5,881	355	405	505	387.1
RSH-8006		8,238	150	1,176.3	17,644	455	605	505	387.1
RSH-80012		8,238	300	1,176.3	35,289	605	905	505	387.1
RSH-10002	1,000	10,260	50	1,465.7	7,329	385	435	560	432.1
RSH-10006		10,260	150	1,465.7	21,985	485	635	560	432.1
RSH-100012		10,260	300	1,465.7	43,970	635	935	560	432.1

\* Nominal Cylinder Capacity in ton - see kN values for actual capacity

## Did you know...

**RPLC-Series** low height locking collar cylinders offer extremely low collapsed height and the ability to **mechanically support a load**.



H Base to Advance Port (mm)	J Standard Saddle Diameter (mm)	K Saddle Protrusion from Piston Rod (mm)	L Depth of Piston Rod Hole (mm)	Weight (kg)	Optional Tilt Saddle			Model Number	Handle Type
					Model Number	J1 Diameter (mm)	**K1 Height (mm)		
50	130	2	25	66	TSX-200	130	20	RSH-2002	◆
50	130	2	25	101	TSX-200	130	20	RSH-2006	◆
50	130	2	25	154	TSX-200	130	20	RSH-20012	◆
50	150	2	25	90	TSX-250	150	21	RSH-2502	◆
50	150	2	25	137	TSX-250	150	21	RSH-2506	◆
50	150	2	25	208	TSX-250	150	21	RSH-25012	◆
59	139	5	25	137	TSX-300	195	75	RSH-3002	◆
59	139	5	25	198	TSX-300	195	75	RSH-3006	◆
59	139	5	25	288	TSX-300	195	75	RSH-30012	◆
70	159	5	25	200	TSX-400	225	85	RSH-4002	◆
70	159	5	25	275	TSX-400	225	85	RSH-4006	◆
70	159	5	25	390	TSX-400	225	85	RSH-40012	◆
80	179	5	25	289	TSX-500	250	91	RSH-5002	◆
80	179	5	25	390	TSX-500	250	91	RSH-5006	◆
80	179	5	25	540	TSX-500	250	91	RSH-50012	◆
85	194	5	25	350	TSX-600	275	96	RSH-6002	◆
85	194	5	25	465	TSX-600	275	96	RSH-6006	◆
85	194	5	25	640	TSX-600	275	96	RSH-60012	◆
100	224	5	25	549	TSX-800	320	123	RSH-8002	◆
100	224	5	25	709	TSX-800	320	123	RSH-8006	◆
100	224	5	25	950	TSX-800	320	123	RSH-80012	◆
110	249	5	25	729	TSX-1000	360	136	RSH-10002	◆
110	249	5	25	921	TSX-1000	360	136	RSH-10006	◆
110	249	5	25	1,210	TSX-1000	360	136	RSH-100012	◆

**HANDLE TYPES:** ♣ WELDED ◆ EYEBOLT ♥ REMOVABLE STRAP HANDLE ♠ THREAD

\*\* Total cylinder collapsed height with optional tilt saddle equals ( dim.A - dim.K + dim.K1 )

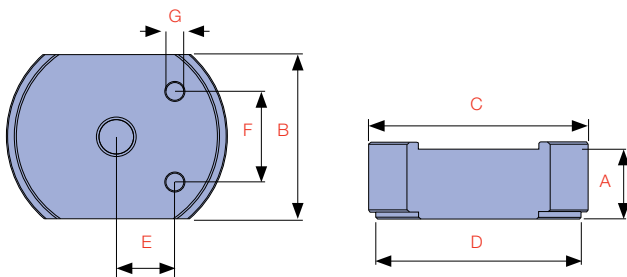
CYLINDER **STACK PLATE KITS** ARE AN EFFECTIVE ECONOMICAL SOLUTION WHERE AN EXTRA INCREASE IN CLOSED HEIGHT IS DESIRABLE.

They are designed for use with the RFJ-Series flat cylinders and incorporate a magnet to attach to the cylinder. All kits include an RFJ cylinder and carry case.



### Did you know...

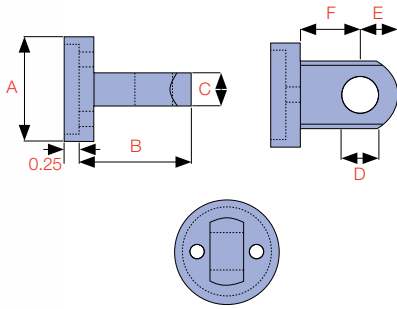
*Durapac* offers a range of lightweight hand pumps, the perfect choice when portable manual power is desirable.



Kit Model No.	Includes Cylinder Model	STD Cylinder Height (mm)	Dimensions (mm)										Kit Weight (kg)
			A Stack plate height				B	C	D	E	F	G	
			1	2	3	4							
CSK-5	RFJ-50	32	3.4	12.7	25.4	31.8	41.4	64.7	58.7	13.6	28.5	5.1	2.4
CSK-10	RFJ-100	43	9.9	20.0	39.9	-	55.6	90.6	82.6	20.5	36.6	7.1	3.8
CSK-20	RFJ-200	51	9.9	20.0	39.9	-	76.2	109.6	101.6	28.4	49.3	10.1	7.0
CSK-30	RFJ-300	58	9.9	20.0	39.9	-	95.3	125.6	117.6	33.4	52.3	10.1	10.1

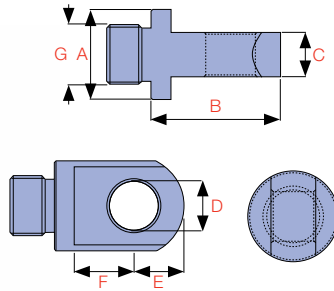


**BASE CLEAVES**



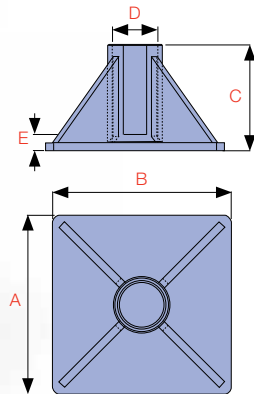
Model No.	Cylinder Capacity (ton)	Dimensions (mm)					
		A	B	C	D	E	F
CBC-5	5	44	47	14	16	16	25
CBC-10	10	63	66	25	22	25	35
CBC-15	15	76	66	25	22	25	35
CBC-25	25	95	79	38	31	31	41

**PISTON ROD CLEAVES**



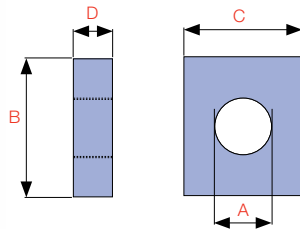
Model No.	Cylinder Capacity (ton)	Dimensions (mm)						
		A	B	C	D	E	F	G
CPC-5	5	28	41	14	16	16	19	3/4"-16UNF
CPC-1015	10/15	42	61	25	22	25	28	1"-8UNC
CPC-25	25	57	74	38	31	31	35	1 1/2"-16UN

**CYLINDER JACKING BASES**



Model No.	Cylinder Capacity (ton)	Dimensions (mm)				
		A	B	C	D	E
CB-10	10	228	228	135	58	20
CB-25	25	279	279	140	86	26
CB-50	50	300	300	100	130	41

**MOUNTING BLOCKS**



Model No.	Cylinder Capacity (ton)	Dimensions (mm)			
		A	B	C	D
CMB-5	5	1 1/2"-16UN	88	76	25
CMB-10	10	2 1/4"-14UN	114	88	25
CMB-15	15	2 3/4"-16UN	101	114	38
CMB-25	25	3 5/16"-12UN	127	165	50

**BASE ATTACHMENT**

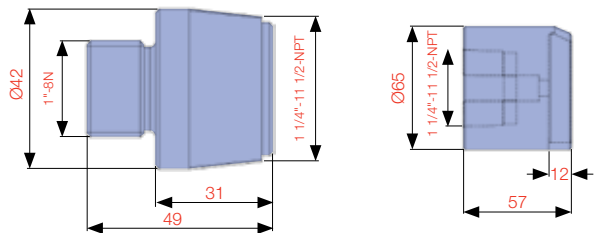


ZAM1245

**THREAD ADAPTOR**



ZAM1246



ZAM1245 and ZAM1246 allows Durapac RG 10 ton series cylinders (excluding RG-101) to be used with CRK-10 attachments.

C

PUMPS



USABLE OIL (cc)	MODEL NO.
● 350	P-235 Series
● 700	P-170 & P-270
● 1,000	P-2100H
● 2,000	P-2200 Series
● 2,600	P-2600
● 8,000	P-2800 Series
● 8,000+	Power Pumps

**HAND PUMP RESERVOIR CAPACITY TABLE**

**Single acting cylinder capacity (ton)**

Stroke (mm)	Capacity (ton)														
	5	10	12	15	20	25	30	50	60	75	100	150	200	250	300
15	●	●	●	●	●	●	●	●	●	●	●	●	●	●	●
25	●	●	●	●	●	●	●	●	●	●	●	●	●	●	●
50	●	●	●	●	●	●	●	●	●	●	●	●	●	●	●
75	●	●	●	●	●	●	●	●	●	●	●	●	●	●	●
100	●	●	●	●	●	●	●	●	●	●	●	●	●	●	●
125	●	●	●	●	●	●	●	●	●	●	●	●	●	●	●
150	●	●	●	●	●	●	●	●	●	●	●	●	●	●	●
175	●	●	●	●	●	●	●	●	●	●	●	●	●	●	●
200	●	●	●	●	●	●	●	●	●	●	●	●	●	●	●
225	●	●	●	●	●	●	●	●	●	●	●	●	●	●	●
250	●	●	●	●	●	●	●	●	●	●	●	●	●	●	●
300	●	●	●	●	●	●	●	●	●	●	●	●	●	●	●

**Double acting cylinder capacity (ton)**

Stroke (mm)	Capacity (ton)														
	5	10	12	15	20	25	30	50	60	75	100	150	200	250	300
15	●	●	●	●	●	●	●	●	●	●	●	●	●	●	●
25	●	●	●	●	●	●	●	●	●	●	●	●	●	●	●
50	●	●	●	●	●	●	●	●	●	●	●	●	●	●	●
75	●	●	●	●	●	●	●	●	●	●	●	●	●	●	●
100	●	●	●	●	●	●	●	●	●	●	●	●	●	●	●
125	●	●	●	●	●	●	●	●	●	●	●	●	●	●	●
150	●	●	●	●	●	●	●	●	●	●	●	●	●	●	●
175	●	●	●	●	●	●	●	●	●	●	●	●	●	●	●
200	●	●	●	●	●	●	●	●	●	●	●	●	●	●	●
225	●	●	●	●	●	●	●	●	●	●	●	●	●	●	●
250	●	●	●	●	●	●	●	●	●	●	●	●	●	●	●
300	●	●	●	●	●	●	●	●	●	●	●	●	●	●	●

\* 2,800 bar working pressure model

## THE *P-SERIES* MANUAL HAND PUMPS OFFER A WIDE CHOICE OF STEEL AND ALUMINIUM BODIED MODELS.

Ideally suited to applications where portable manual hydraulic power is required. All models feature low handle effort for easy operation and are engineered for demanding industrial applications. Models are available to operate single and double acting cylinders and tools.

All P-Series hand pumps include a factory set safety pressure relief valve and come pre-filled with hydraulic oil.

### SPECIFIC MODEL ADVANTAGES

- Drop forged pump head on models **P-170** and **P-270** for superior durability
- Unique oil reservoir breather incorporating a pressure relief valve to guard against accidental over pressurisation of the oil reservoir on models **P-2200**, **P-2200D** and **P-2260**
- Sealed bladder reservoir design on models **P-235A** and **P-235AT** allows operation in any position
- Twin outlet design pump head incorporating two needle valves on model **P-235AT**
- 2,800 bar working pressure model **P-2100H** can be used for bolt tensioning, bearing removal and high pressure testing



**C**  
**PUMPS**

OIL CAPACITY

**350 - 8,000 cc**

1ST STAGE FLOW RANGE

**3.1 - 113 cc**

MAXIMUM OPERATING PRESSURES

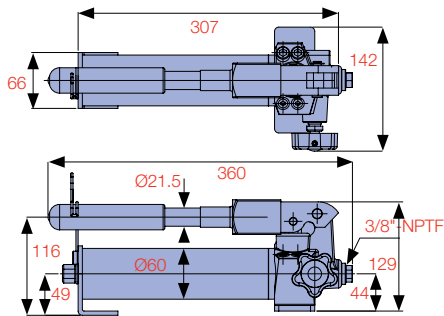
**240 / 700 / 2,800 bar**

### CYLINDER PISTON ROD SPEED TABLE

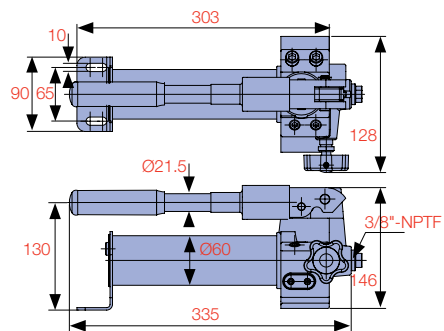
Model Number	Usable Oil (mL)	Pressure Stage	mm of movement for each stroke of the pump handle	Cylinder Capacity (ton)												
				5	10	15	20	25	30	50	75	100	150	200	250	
P-170	700	1st		5.0	2.1	1.5	1.1	0.9	0.7	-	-	-	-	-	-	
P-235A	350	1st		6.2	2.6	1.9	1.3	1.1	0.9	-	-	-	-	-	-	
		2nd		1.0	0.4	0.3	-	-	-	-	-	-	-	-	-	
P-235AT	350	1st		6.2	2.6	1.9	1.3	1.1	0.9	-	-	-	-	-	-	
		2nd		1.0	0.4	0.3	-	-	-	-	-	-	-	-	-	
P-235	350	1st		5.0	2.1	1.5	1.1	0.9	0.7	-	-	-	-	-	-	
		2nd		11.2	4.8	3.4	2.5	2.1	1.7	1.0	-	-	-	-	-	
P-2200A	2,000	1st		1.6	0.7	0.5	0.4	0.3	0.2	0.1	-	-	-	-	-	
		2nd		20.6	8.9	6.4	4.6	3.9	3.1	1.8	1.3	1.0	0.6	-	-	
P-2200AD	2,000	1st		4.5	1.9	1.4	1.0	0.8	0.7	0.4	0.3	0.2	0.1	-	-	
		2nd		20.6	8.9	6.4	4.6	3.9	3.1	1.8	1.3	1.0	0.6	-	-	
P-2100H	1,000	1st		3.7	1.6	1.1	0.8	0.7	0.5	0.3	0.2	0.2	0.1	-	-	
		2nd		20.8	9.0	6.4	4.6	3.9	3.1	1.8	-	-	-	-	-	
P-2200	2,000	1st		1.0	0.4	0.3	0.2	0.2	0.2	0.1	-	-	-	-	-	
		2nd		20.8	9.0	6.4	4.6	3.9	3.1	1.8	1.3	1.0	0.6	-	-	
P-2200D	2,000	1st		4.5	1.9	1.4	1.0	0.8	0.7	0.4	0.3	0.2	0.1	-	-	
		2nd		20.8	9.0	6.4	4.6	3.9	3.1	1.8	1.3	1.0	0.6	-	-	
P-235L	350	1st		4.5	1.9	1.4	1.0	0.8	0.7	0.4	0.3	0.2	0.1	-	-	
		2nd		4.5	1.9	1.4	1.0	0.8	0.7	0.4	0.3	0.2	0.1	-	-	
P-270	700	1st		20.8	9.0	6.4	4.6	3.9	3.1	1.8	1.3	1.0	0.6	-	-	
		2nd		4.5	1.9	1.4	1.0	0.8	0.7	0.4	0.3	0.2	0.1	-	-	
P-2260	2,600	1st		48.0	20.7	14.8	10.6	9.0	7.1	4.2	2.9	2.3	1.5	1.0	-	
		2nd		4.8	2.1	1.5	1.1	0.9	0.7	0.4	0.3	0.2	0.2	0.1	-	
P-2800	8,000	1st		180.8	78.1	55.7	40.0	34.0	26.9	15.9	11.0	8.5	5.6	4.0	3.1	
		2nd		6.4	2.8	2.0	1.4	1.2	1.0	0.6	0.4	0.3	0.2	0.2	0.1	
P-2800D	8,000	1st		180.8	78.1	55.7	40.0	34.0	26.9	15.9	11.0	8.5	5.6	4.0	3.1	
		2nd		6.4	2.8	2.0	1.4	1.2	1.0	0.6	0.4	0.3	0.2	0.2	0.1	



P-235



P-235L

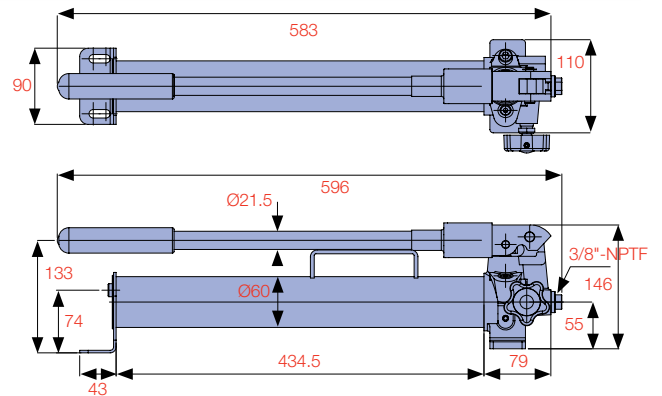


THE **P-SERIES** STEEL BODIED MANUAL HAND PUMP RANGE OFFERS A WIDE CHOICE OF TANK AND FLOW OPTIONS WHERE MANUAL PORTABLE HYDRAULIC POWER IS REQUIRED.

All pumps have a low handle effort for ease of operation and large, easy to grip external pressure release knobs. All models (excluding P-235L) incorporate a convenient carry handle. For applications requiring a high 1st stage flow the P-2260 offers 30cc per stroke within a compact portable package. Durapac's pump range is a robustly built industry proven performer.



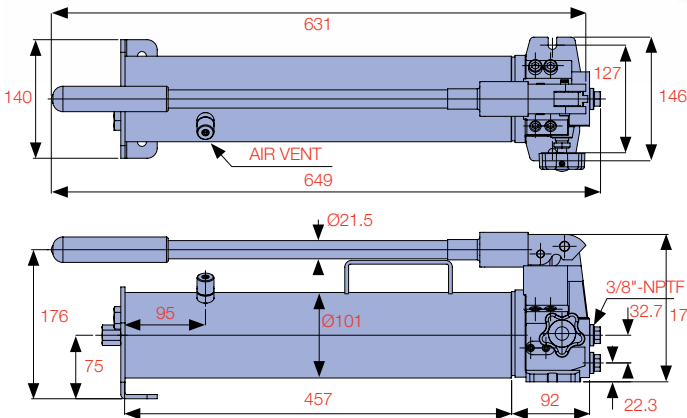
P-170



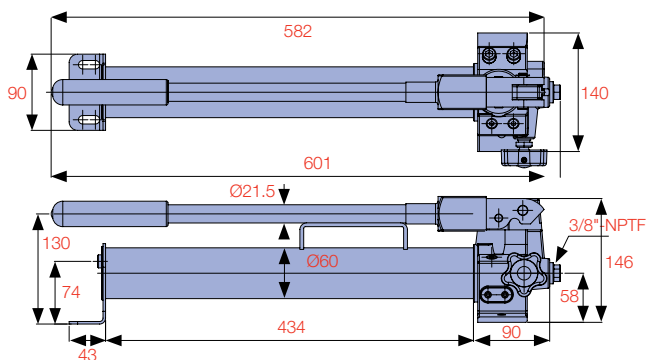
Model Number	Operation	Used with Cylinder	Valve Type	Pressure Rating (bar)		Usable Oil Capacity (cc)	Oil Volumes per Stroke (cc)		Oil Port Thread	Max. Handle Effort (kg)	Weight with Oil (kg)
				1st Stage	2nd Stage		1st Stage	2nd Stage			
P-235	Two Speed	S/A	2 Way	13.8	700	350	7.0	1.0	3/8"-NPTF	34	5.5
P-235L	Two Speed	S/A	2 Way	13.8	240	350	13.0	2.8	3/8"-NPTF	25	5.5
P-170	Single Speed	S/A	2 Way	700	-	700	3.1	-	3/8"-NPTF	33	6.5
P-270	Two Speed	S/A	2 Way	13.8	700	700	13.0	2.8	3/8"-NPTF	41	7.3
P-2200	Two Speed	S/A	2 Way	13.8	700	2,000	13.0	2.8	3/8"-NPTF	35	11.5
P-2200D	Two Speed	D/A	4 Way	13.8	700	2,000	13.0	2.8	3/8"-NPTF	37	11.5
P-2260	Two Speed	S/A	2 Way	28.0	700	2,600	30.0	3.0	3/8"-NPTF	36	13.5



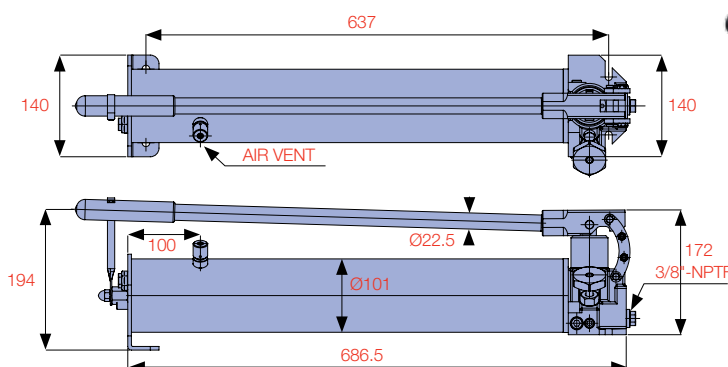
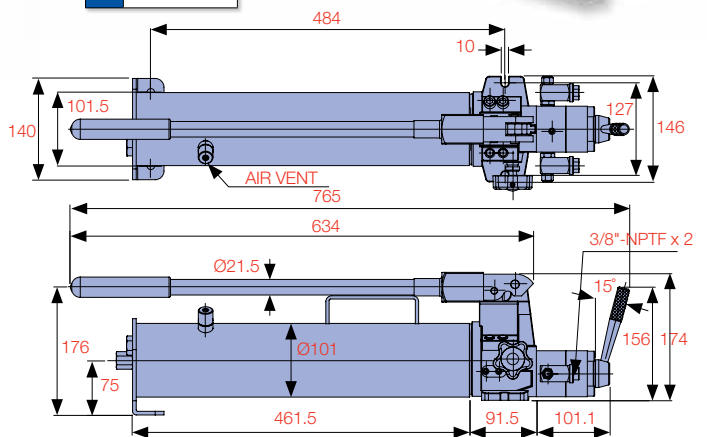
P-2200



P-270



P-2200D



P-2260



OIL CAPACITY

**350 - 2,600 cc**

1ST STAGE FLOW RANGE

**3.1 - 30 cc**

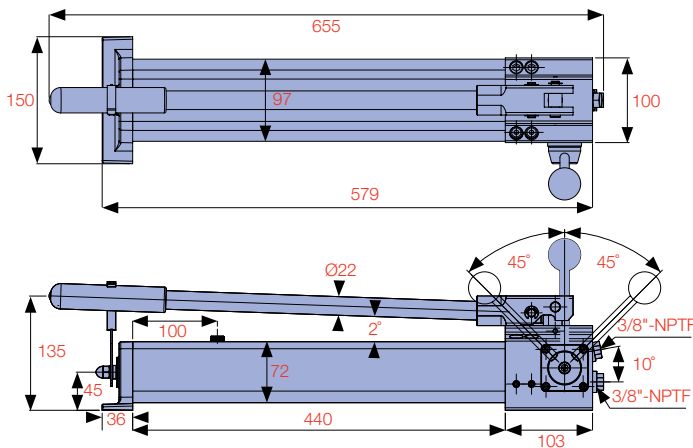
MAXIMUM OPERATING PRESSURE

**240 / 700 bar**

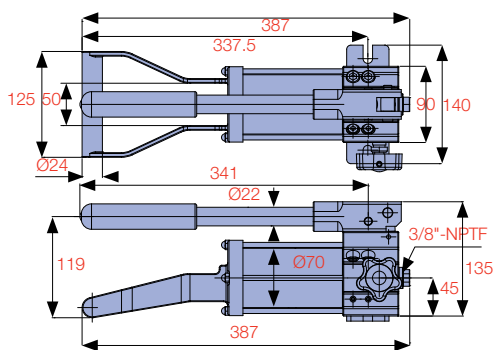
C  
PUMPS



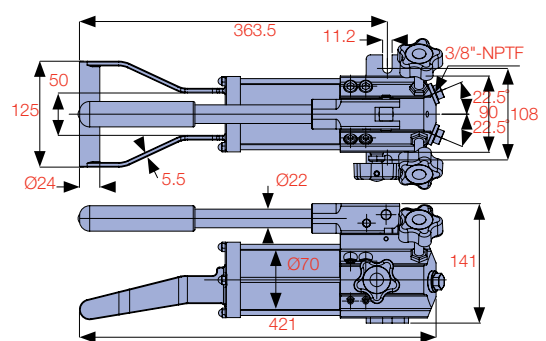
**P-2200AD**



**P-235A**



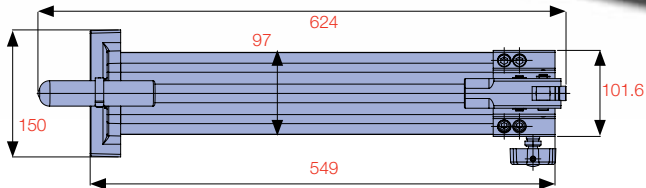
**P-235AT**



## THE *P-SERIES* ALUMINIUM BODIED MANUAL HAND PUMP RANGE IS THE ULTIMATE IN LIGHTWEIGHT PORTABLE POWER.

All feature low handle effort for ease of operation and large easy to grip external pressure release knobs. Both the P-235A and P-235AT models feature a sealed bladder reservoir which allows the pump to be used at any operating angle. The P-235AT features a twin outlet design and incorporates two needle valves within the pump head. In applications requiring ultra high pressure the P-2100H offers a working pressure up to 2,800 bar. Durapac's pump range is a robustly built industry proven performer.

Model Number	Operation	Used with Cylinder	Valve Type	Pressure Rating (bar)		Usable Oil Capacity (cc)	Oil Volumes per Stroke (cc)		Oil Port Thread	Max. Handle Effort (kg)	Weight with Oil (kg)
				1st Stage	2nd Stage		1st Stage	2nd Stage			
P-235A	Two Speed	S/A	2 Way	13.8	700	350	3.9	0.59	3/8"-NPTF	55	3.7
P-235AT	Two Speed	S/A	Twin Outlet	13.8	700	350	3.9	0.59	3/8"-NPTF	55	3.8
P-2100A	Two Speed	S/A	2 Way	14.0	700	1,000	13.0	2.3	3/8"-NPTF	40	3.5
P-2100H	Two Speed	S/A	2 Way	28.0	2,800	1,000	13.0	0.7	3/4"-16UNF	40	6.9
P-2200A	Two Speed	S/A	2 Way	14.0	700	2,000	13.0	2.3	3/8"-NPTF	39	6.5
P-2200AD	Two Speed	D/A	4 Way	13.8	700	2,000	13.0	2.3	3/8"-NPTF	38	7.5



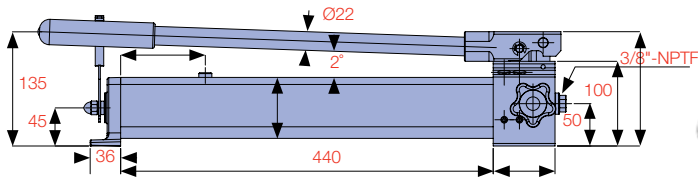
**P-2200A**



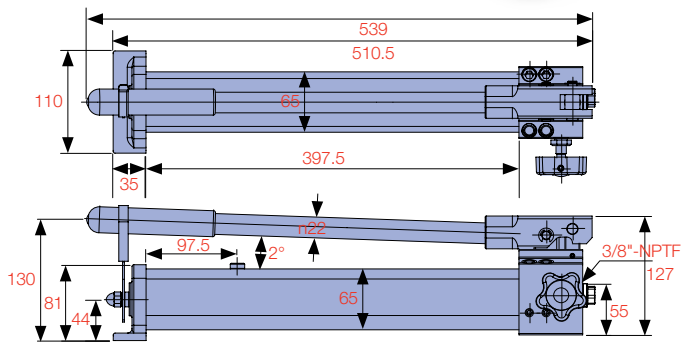
OIL CAPACITY  
**350 - 2,000 cc**

1ST STAGE FLOW  
**3.9 - 13.0 cc**

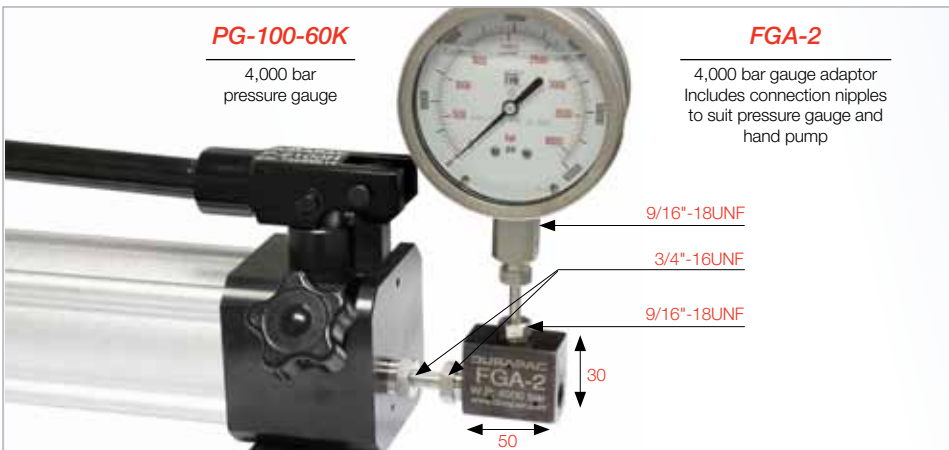
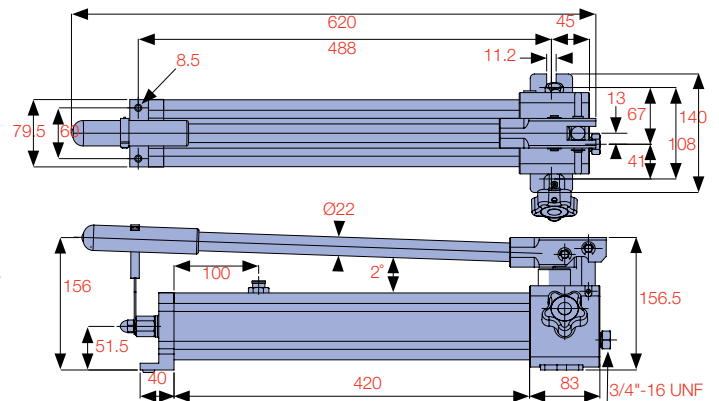
MAXIMUM OPERATING PRESSURE  
**700 / 2,800 bar**



**P-2100A**



**P-2100H ULTRA HIGH PRESSURE 2,800 BAR WP**



**PG-100-60K**

4,000 bar pressure gauge

**FGA-2**

4,000 bar gauge adaptor  
 Includes connection nipples to suit pressure gauge and hand pump

9/16"-18UNF  
 3/4"-16UNF  
 9/16"-18UNF

30

50

### Did you know...

Durapac offers high pressure gauges and a gauge adaptor to suit the P-2100H 2,800 bar hand pump.

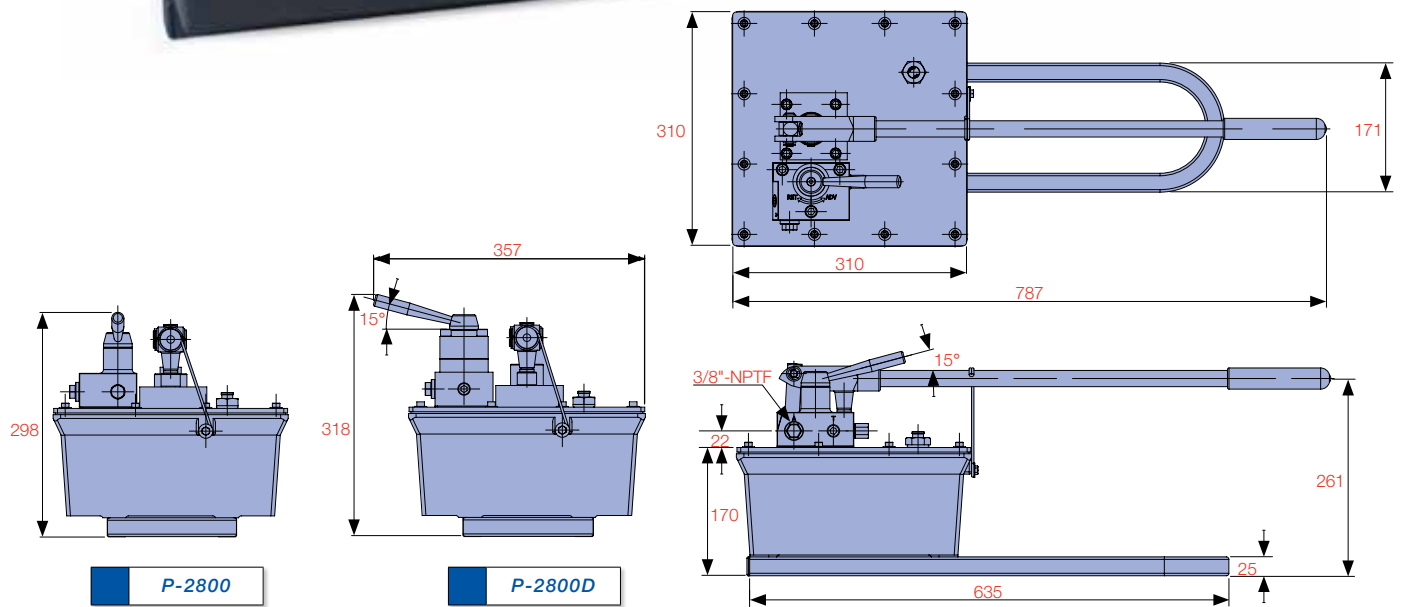


C

PUMPS

**DURAPAC'S HIGH FLOW MANUAL PUMP RANGE IS THE ULTIMATE IN HIGH PERFORMANCE 2 SPEED PORTABLE POWER.**

Ideally suited to operate high tonnage cylinders where conventional power sources are not available. Both models feature a first stage high flow of 113 cc per stroke for fast cylinder advance and retract and a high pressure power flow of 4 cc per stroke. Available with a 2 way valve for single acting applications or a 4 way valve for double acting applications. Durapac's pump range is robustly built and an industry proven performer.



Model Number	Operation	Used with Cylinder	Valve Type	Pressure Rating (bar)		Usable Oil Capacity (cc)	Oil Volumes per Stroke (cc)		Oil Port Thread	Max. Handle Effort (kg)	Weight with Oil (kg)
				1st Stage	2nd Stage		1st Stage	2nd Stage			
P-2800	Two Speed	S/A	2 Way	27.5	700	8,000	113.0	4.0	3/8"-NPTF	29	29.0
P-2800D	Two Speed	D/A	4 Way	27.5	700	8,000	113.0	4.0	3/8"-NPTF	29	30.0



**THE *CYLINDER KITS* ARE A CONVENIENT WAY TO PURCHASE REGULARLY REQUESTED CYLINDER AND HAND PUMP COMBINATIONS.**

Popular cylinder combinations are available including low profile, aluminium and centre-hole. The range comprises 29 kit options that include a perfectly matched manual hand pump and 2 metre hose with coupling. A 63mm liquid filled pressure gauge with gauge adaptor is included with each kit.



Aluminium Cylinder Kits - Single Acting Spring Return								
Model	Capacity (ton)*	Stroke (mm)	Collapsed Height	Included in Set				
				Cylinder	Hand Pump	Hose	Gauge	Gauge Adaptor
CKA-302	30	50	181	AR-302	P-235A	HPS-0602CR	PG-63	FGA-1
CKA-306		150	281	AR-306	P-2200A	HPS-0602CR	PG-63	FGA-1
CKA-502	50	50	186	AR-502	P-235A	HPS-0602CR	PG-63	FGA-1
CKA-506		150	286	AR-506	P-2200A	HPS-0602CR	PG-63	FGA-1
Hollow Piston Cylinder Kits - Single Acting Spring Return								
CKH-121	12	42	120	RHS-121	P-270	HPS-0602CR	PG-63	FGA-1
CKH-123		76	184	RHS-123	P-270	HPS-0602CR	PG-63	FGA-1
CKH-202	20	49	162	RHS-202	P-270	HPS-0602CR	PG-63	FGA-1
CKH-206		155	306	RHS-206	P-270	HPS-0602CR	PG-63	FGA-1
CKH-302	30	64	178	RHS-302	P-270	HPS-0602CR	PG-63	FGA-1
CKH-306		155	330	RHS-306	P-2200	HPS-0602CR	PG-63	FGA-1
Low Profile Cylinder Kits - Single Acting Spring Return								
CKL-50	5	6	32	RFJ-50	P-270	HPS-0602CR	PG-63	FGA-1
CKL-100	10	12	43	RFJ-100	P-270	HPS-0602CR	PG-63	FGA-1
CKL-101		38	88	RLP-101	P-270	HPS-0602CR	PG-63	FGA-1
CKL-200	20	11	51	RFJ-200	P-270	HPS-0602CR	PG-63	FGA-1
CKL-201		45	98	RLP-201	P-270	HPS-0602CR	PG-63	FGA-1
CKL-300	30	13	58	RFJ-300	P-270	HPS-0602CR	PG-63	FGA-1
CKL-302		62	117	RLP-302	P-270	HPS-0602CR	PG-63	FGA-1
CKL-500	50	16	66	RFJ-500	P-270	HPS-0602CR	PG-63	FGA-1
CKL-502		60	122	RLP-502	P-270	HPS-0602CR	PG-63	FGA-1
CKL-1000	100	16	85	RFJ-1000	P-270	HPS-0602CR	PG-63	FGA-1
CKL-1002		57	141	RLP-1002	P-2200	HPS-0602CR	PG-63	FGA-1
General Jacking Cylinder Kits - Single Acting Spring Return								
CKG-102	10	54	121	RG-102	P-270	HPS-0602CR	PG-63	FGA-1
CKG-106		156	247	RG-106	P-270	HPS-0602CR	PG-63	FGA-1
CKG-252	25	50	165	RG-252	P-270	HPS-0602CR	PG-63	FGA-1
CKG-254		102	215	RG-254	P-270	HPS-0602CR	PG-63	FGA-1
CKG-256		158	273	RG-256	P-270	HPS-0602CR	PG-63	FGA-1
CKG-502	50	51	176	RG-502	P-2200	HPS-0602CR	PG-63	FGA-1
CKG-504		101	227	RG-504	P-2200	HPS-0602CR	PG-63	FGA-1
CKG-506		159	282	RG-506	P-2200	HPS-0602CR	PG-63	FGA-1

\* Nominal Cylinder Capacity in ton - see kN values for actual capacity



**THE SPE 35 & 45 SERIES ARE COMPACT PORTABLE ELECTRIC POWER UNITS.**

These powerful units are lightweight, cost effective and have a number of valve and pump functionality options to ensure that there is a suitable pump for every application. Having low amperage draw motors they are ideal for field use or indoors.

Model	Usable Oil (L)	Pressure Stage	Flow (Lpm)	Force (ton)										
				10	15	20	25	30	50	75	100	150	200	
Two Speed														
35 Series - Two Speed	1.6	1st	2.00	23.0	16.0	12.0	10.0	8.0	4.0	3.0	3.0	-	-	
		2nd	0.20											2.0
45 Series - Two Speed	2-3	1st	2.50	29.0	21.0	15.0	13.0	10.0	5.0	4.0	3.0	2.1	1.6	
		2nd	0.35											4.0

**STEEL OIL RESERVOIR**

with internal bladder allows pump to be used at any angle



**ELECTRIC COMMUTATOR MOTOR**

0.35 kW (0.47HP)  
230V 50/60Hz 4.5A  
110V 9A (Option)

**DIRECTIONAL CONTROL VALVES**

available in manual or solenoid versions to suit single and double acting cylinders

**REMOTE PENDANT CONTROL**

2.5m is standard supply on all 35-Series

**MOTOR SIZE**  
**0.35 - 0.45 kW**

**FLOW**  
**0.2 - 0.35 Lpm @ 700 bar**

**MAXIMUM OPERATING PRESSURE**  
**700 bar**

**PRESSURE GAUGE**

63 mm diam. 0-1,000 bar as standard on all 45-Series



**ELECTRIC COMMUTATOR MOTOR**

0.45 kW (0.6HP)  
230V 50/60Hz 4.5A  
110V 9A (Option)

**DIRECTIONAL CONTROL VALVES**

available in manual or solenoid versions to suit single and double acting cylinders

**ONE PIECE ALLOY RESERVOIR**

for lightweight durability

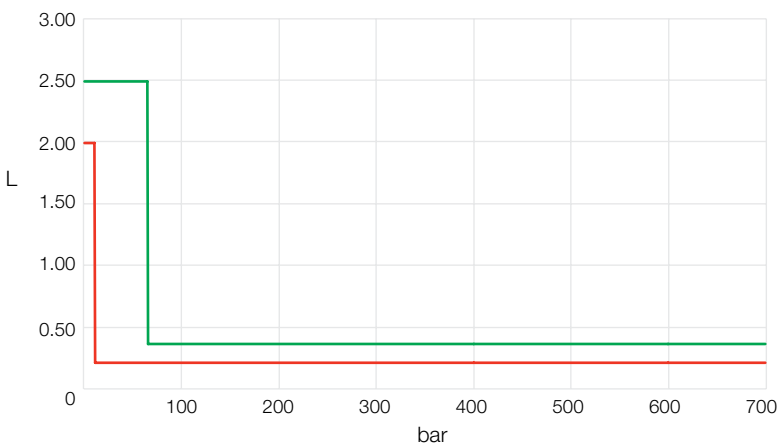
**RESERVOIR SIGHT GAUGE**

to monitor oil level

**REMOTE PENDANT CONTROL**

2.5m is standard supply on all 45-Series

**PERFORMANCE TABLES**

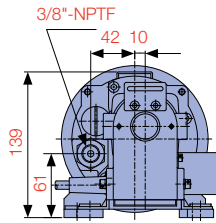


Two Speed  
 — SPE 35-Series  
 — SPE 45-Series

C

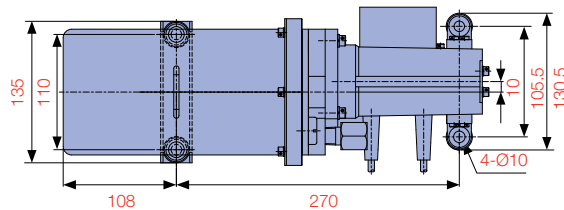
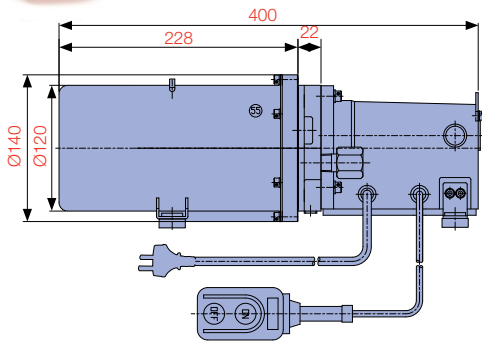
PUMPS

## SPES3502NC

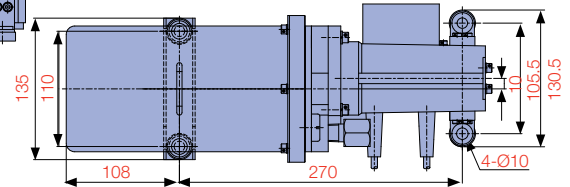
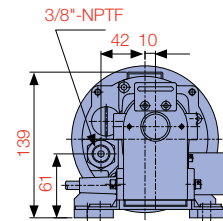
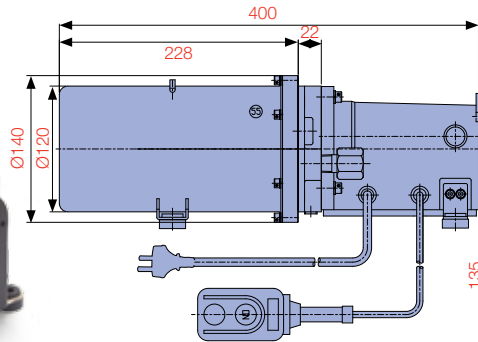


THE **SPE35-SERIES** POWER UNITS ARE CONFIGURED WITH A NUMBER OF VALVE AND PUMP FUNCTIONALITY OPTIONS TO ENSURE THAT THERE A SUITABLE POWER UNIT FOR EVERY APPLICATION.

Cost effective, portable and powerful these units are lightweight and have shoulder strap and handle for transport ease. Extremely simple to use. A pressure switch is an available option on the 35 Series.



## SPES3502NO

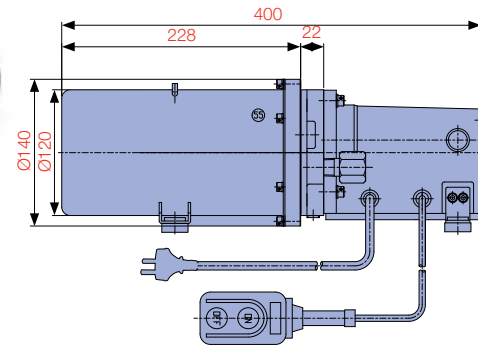
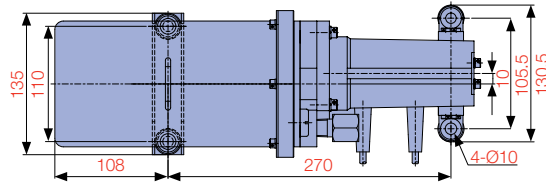
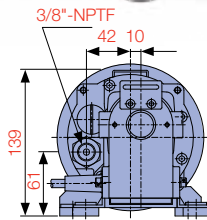


Model	Electric Motor (230 V 50/60 Hz)	Pressure Rating (bar)	Motor kW @ 2,000 rpm	Voltage	Amps	Flow Rate (Lpm)		Control Switch	Usable Oil Capacity (L)
						10 bar	700 bar		
SPE35 Series	Commutator type	700	0.35	230	4.5	2.0	0.2	Remote ON/OFF	1.6
				110	9				

Model Number	Valve Type Sol. = Solenoid Man. = Manual	Used with Cylinder	Cylinder/Pump Function	Weight (kg)
SPES3502NC	Sol. Pressure Hold type	S/A	"Advance" when ON switch is pressed and the motor starts, Release ON switch to "Hold" and stop the motor, "Retract" when OFF switch is pressed. Cylinder can not be stopped on "Retract"	8.7
SPES3502NO	Sol. Auto Retract type	S/A	"Advance" when ON switch is pressed and the motor starts, Auto "Retract" when ON switch is released. The optional pressure switch allows the cylinder to be stopped at set pressure and return automatically	8.7
SPES3502AR	Internal "Pop Off" valve, Auto Retract type	S/A	"Advance" when ON switch is pressed and the motor starts. Pop Off relief valve will indicate full pressure. Auto "Retract" when ON switch is released	8.4
SPES3502IN	Sol. Pressure Hold type	S/A	"Advance" when ON switch is pressed and the motor starts, Release ON switch to "Hold" and stop the motor, "Retract" when OFF switch is pressed. Cylinder can be stopped on "Retract"	9.0
SPEM35024	4w/3p Man.	D/A	When ON switch is pressed, motor will start. When ON switch is released, motor will stop. Advance, Hold, Retract via manual valve	9.7

<sup>†</sup>Standard motor supplied is 230V, should 110V be required; add "110V" to the end of the model number.

**SPES3502AR**



OIL CAPACITY

**1,600 cc**

FLOW

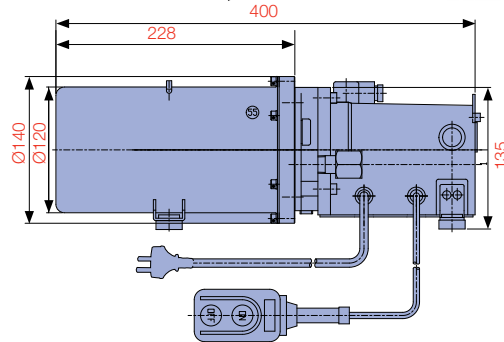
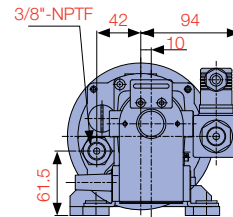
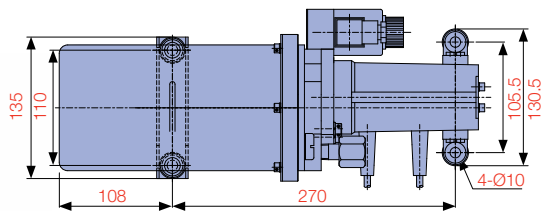
**2 Lpm @ 10 bar**

**0.2 Lpm @ 700 bar**

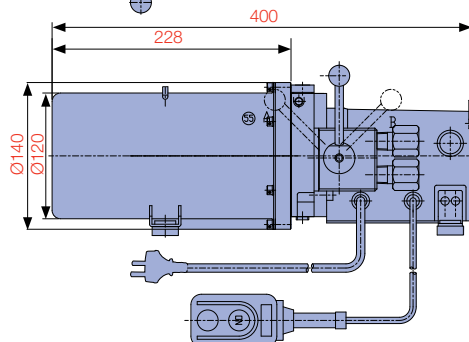
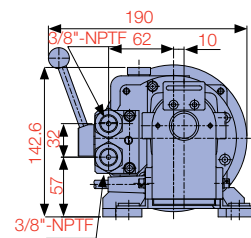
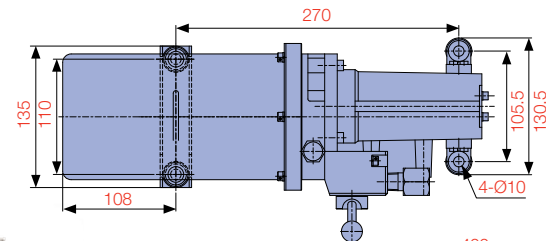
MAXIMUM OPERATING PRESSURE

**700 bar**

**SPES3502IN**



**SPEM35024**



C

PUMPS



THE **SPE45-SERIES** POWER UNITS ARE CONFIGURED WITH A NUMBER OF VALVE AND PUMP FUNCTIONALITY OPTIONS TO ENSURE THAT THERE IS A SUITABLE PUMP FOR EVERY APPLICATION.

Cost effective, portable and powerful these units are lightweight and have a carry handle integrated into the shroud. Extremely simple to use. Pressure switch, adjustable pressure relief and pilot check valves are available options on the 45 Series.

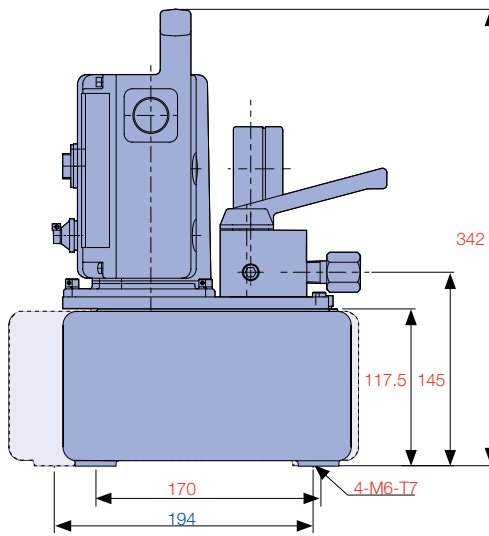
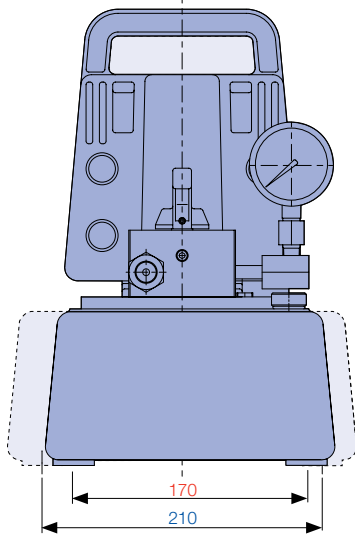
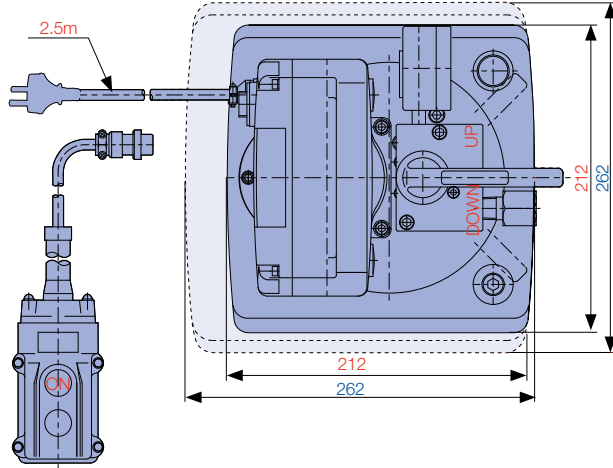
Model	Electric Motor (50/60 Hz)	Pressure Rating (bar)	kW @ 2,000 rpm	Voltage	Amps	Flow Rate (Lpm)		Fitted with	Usable Oil Capacity (L)	*Optional Large Tank Usable Oil Capacity (L)
						70 bar	700 bar			
SPE45 Series	Single phase, commutator type, insulation class 120 ("E")	700	0.45	230	4.5	2.5	0.35	Pressure Gauge	2	3
				110	9					

Model Number	Valve Type Sol. = Solenoid Man. = Manual	Used with Cylinder	Pump Function	Remote Pendant Function 2.4 mtr	Weight (kg)
SPEM4505M	Basic	S/A	P.T. manifold, without valve	MOTOR ON/OFF	16.3
SPEM45053	3w/2p Man.	S/A	Advance, Hold, Retract via manual valve	MOTOR ON/OFF	18.1
SPES4505NC	3w/2p Sol.	S/A	"Advance" when ON switch is pressed and the motor starts, Release ON switch to "Hold" and stop the motor, "Retract" when OFF switch is pressed	Adv/Hold/Retract	19.2
SPES4505NO	2w/2p Sol.	S/A	"Advance" when ON switch is pressed and the motor starts, Auto "Retract" when ON switch is released	MOTOR ON/OFF	20.5
SPEM45054	4w/3p Man.	D/A	Advance, Hold, Retract via manual valve	MOTOR ON/OFF	18.1
SPES45054SP	4w/3p Sol.	D/A	"Advance"/"A" port Hold/ "Retract" with stacking type pilot-operated check valve fitted on "A" port line	Adv/Hold/Retract	20.5
SPES45054WP	4w/3p Sol.	D/A	"Advance"/"A" and "B" port Hold/ "Retract" with stacking type pilot-operated check valve fitted on "A" and "B" port lines. Pressure holding on both "A" and "B" ports	Adv/Hold/Retract	20.5

\* To order with larger tank size; add "L" to the end of the model number

† Standard motor supplied is 230V, should 110V be required; add "110V" to the end of the model number

## SPE45 SERIES DIAGRAM



MOTOR SIZE

**0.35 - 0.45 kW**

FLOW

**0.2 - 0.35 Lpm @ 700 bar**

MAXIMUM OPERATING PRESSURE

**700 bar**

C

PUMPS

**SPEM4505M**

**SPES45054WP**

**SPES4505NC**

**SPEM45054**

**SPES45054SP**

**SPES4505NO**

**SPEM45053**



C

PUMPS

THE DURAPAC *PE-SERIES* POWER UNITS ARE DESIGNED FOR EXTENDED DUTY APPLICATIONS REQUIRING SUSTAINED RELIABLE HYDRAULIC POWER.

At the heart of every unit is a field proven pump body featuring precision machined components and advanced design. Single speed radial piston options up to 8.1 Lpm offer reliable solutions to heavy duty applications while high performance automatic two speed pumps combine the best combination of speed and power. Split flow power units are ideal where synchronised lifting and lowering of loads is required regardless of weight distribution.



PEM1513

PEM8414

PEMS4054



**REMOTE PENDANT CONTROL**

through a 24 Volt transformer is standard supply on 0.84, 1.5 kW and all solenoid power units

**STEEL OIL RESERVOIR**

for strength and durability

**RESERVOIR SIGHT GAUGE**

to monitor oil level

**PRECISION PUMP**

bodies available in a wide range of flow options including synchronised split flow

**ELECTRIC INDUCTION MOTOR**

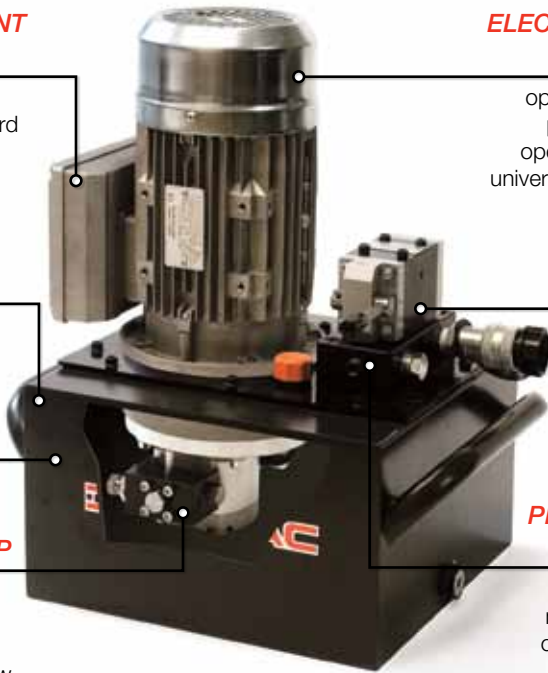
options from 1.5-11 kW provide quite low rpm operation. 08 Series has universal motor for field use

**DIRECTIONAL CONTROL VALVES**

available in manual or solenoid versions to suit single and double acting cylinders

**ADJUSTABLE PRESSURE RELIEF VALVE**

is included on all models. Optional pilot checkplate is available on most models



MOTOR SIZE

**0.84 - 11 kW**

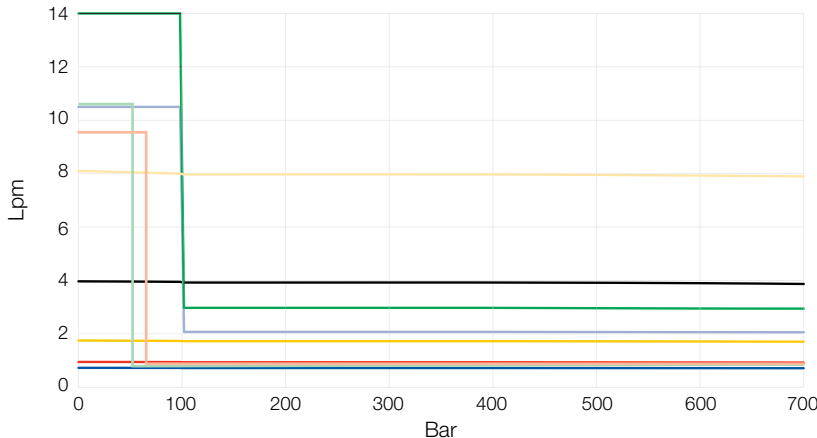
FLOW

**0.73 - 8.1 Lpm@700 bar**

MAXIMUM OPERATING PRESSURE

**700 bar**

**PERFORMANCE TABLES**



Single Speed

- 4 Way Split Flow Series
- 15R-Series Single Speed
- 30R-Series Single Speed
- 55R-Series Single Speed
- 110R-Series Single Speed

Two Speed

- 08-Series Two Speed
- 15-Series Two Speed
- 30-Series Two Speed
- 40-Series Two Speed

Model	Usable Oil (L)	Pressure Stage	Flow (Lpm)	Force (ton)													
				10	15	20	25	30	50	75	100	150	200	250	300	400	500
<b>Single Speed</b>																	
4 Way Split Flow Series	50	1st	4 x 0.73	8.4	6.0	4.2	3.7	2.9	1.6	1.2	0.9	0.6	0.5	0.3	0.3	0.2	0.2
15R Series - Single Speed	20	1st	0.95	11	7.8	5.5	4.8	3.8	2.1	1.5	1.2	0.8	0.6	0.4	0.3	0.3	0.2
30R Series - Single Speed	20	1st	1.75	20	14	10	8.8	6.9	3.8	2.8	2.2	1.5	1.1	0.8	0.6	0.5	0.4
55R Series - Single Speed	50	1st	3.97	46	33	23	20	16	8.6	6.5	5.0	3.3	2.5	1.8	1.5	1.2	0.9
110R Series - Single Speed	100	1st	8.10	93	67	47	41	32	18	13	10	6.8	5.1	3.7	3.0	2.4	1.8
<b>Two Speed</b>																	
08 Series - Two Speed	7 - 20	1st	10.5	120	86	60	53	41	22	16	13	8.0	6.0	4.0	3.0	3.0	2.3
		2nd	0.9	10	7.5	5.3	4.5	3.6	1.9	1.5	1.1	0.7	0.5	0.4	0.3	0.2	0.2
15 Series - Two Speed	10 - 20	1st	9.5	109	78	55	48	38	21	15	12	8.0	6.0	4.3	3.5	2.8	2.2
		2nd	1.1	13	9.1	6.4	5.5	4.4	2.4	1.8	1.4	0.9	0.7	0.5	0.4	0.3	0.3
30 Series - Two Speed	20 - 50	1st	10.50	121	86	61	53	42	23	17	13	8.8	6.6	4.8	3.8	3.1	2.4
		2nd	2.10	24	17	12	11	8.3	4.5	3.4	2.6	1.8	1.3	1.0	0.8	0.6	0.5
40 Series - Two Speed	20 - 50	1st	14.00	161	115	81	70	56	30	23	18	12	8.8	6.4	5.1	4.2	3.2
		2nd	3.00	35	25	17	15	12	6.5	4.9	3.8	2.5	1.9	1.4	1.1	0.9	0.7



## THE DURAPAC AUTO TWO SPEED POWER UNIT RANGE OFFERS HIGH PERFORMANCE FLOW COMBINATIONS FOR APPLICATIONS REQUIRING SPEED AND POWER.

Single phase 08 Series has a universal motor and are ideal for field use with generators. Single phase 1.5 kW versions operate on a standard 10 amp power source and provide high flows in a portable package. Three phase 3 and 4 kW, 415 Volt versions are ideal for operating medium to large tonnage cylinders and systems.

All power units have an externally adjustable pressure relief valve and offer a range of directional control valve options to operate single and double acting cylinders and tools. An optional sub-plate style pilot check valve is also available.

### 4 WAY MANUAL VALVE



4 Way/3 Position directional control valve for controlling double acting cylinders.

### 3 WAY MANUAL VALVE



3 Way/3 Position directional control valve for controlling single acting cylinders.

### 3 & 4 WAY SOLENOID VALVE



3 and 4 Way/3 Position directional control valve for remote actuation of cylinders.

Model No.	Flow Rate (Lpm)		Pressure Rating (bar)		Motor kW	Voltage (50 Hz)	Amps	Remote Pendant Function 4 mtr	Valve Type (3/8"-NPTF Ports) Sol.= Solenoid Man.= Manual	Usable Oil Cap. (L)	Approx. Dry Weight (kg)	Approx. Dimensions (mm)
	1st Stage	2nd Stage	1st Stage	2nd Stage								
<b>08 SERIES</b>												
PEM8414 <sup>A</sup>	10.5	0.9	50	700	0.84	240	10.0	MOTOR ON/OFF	4w/3p Man.	7	25	320 W x 400 L x 565 H
PEM8424 <sup>A</sup>	10.5	0.9	50	700	0.84	240	10.0	MOTOR ON/OFF	4w/3p Man.	20	41	368 W x 490 L x 715 H
<b>15 SERIES</b>												
PEM1513	9.5	1.1	65	700	1.5	240	8.3	MOTOR ON/OFF	3w/3p Man.	10	46	270 W x 410 L x 565 H
PEM1523	9.5	1.1	65	700	1.5	240	8.3		3w/3p Man.	20	53	300 W x 450 L x 605 H
PEM1514	9.5	1.1	65	700	1.5	240	8.3		4w/3p Man.	10	46	270 W x 410 L x 565 H
PEM1524	9.5	1.1	65	700	1.5	240	8.3		4w/3p Man.	20	53	300 W x 450 L x 605 H
PES1513	9.5	1.1	65	700	1.5	240	8.3	SOLENOID ADV/HOLD/RETRACT	3w/3p Sol.	10	59	270 W x 410 L x 565 H
PES1523	9.5	1.1	65	700	1.5	240	8.3		3w/3p Sol.	20	58	300 W x 450 L x 605 H
PES1514	9.5	1.1	65	700	1.5	240	8.3		4w/3p Sol.	10	51	270 W x 410 L x 565 H
PES1524	9.5	1.1	65	700	1.5	240	8.3		4w/3p Sol.	20	58	300 W x 450 L x 605 H
<b>30 SERIES</b>												
PEM3023	10.5	2.1	100	700	3.0	415	6.3	*	3w/3p Man.	20	71	320 W x 450 L x 560 H
PEM3053	10.5	2.1	100	700	3.0	415	6.3	*	3w/3p Man.	50	78	440 W x 750 L x 680 H
PEM3024	10.5	2.1	100	700	3.0	415	6.3	*	4w/3p Man.	20	71	320 W x 450 L x 560 H
PEM3054	10.5	2.1	100	700	3.0	415	6.3	*	4w/3p Man.	50	78	440 W x 750 L x 680 H
PES3023	10.5	2.1	100	700	3.0	415	6.3	SOLENOID ADV/HOLD/RETRACT	3w/3p Sol.	20	77	320 W x 450 L x 560 H
PES3053	10.5	2.1	100	700	3.0	415	6.3		3w/3p Sol.	50	84	440 W x 750 L x 680 H
PES3024	10.5	2.1	100	700	3.0	415	6.3		4w/3p Sol.	20	77	320 W x 450 L x 560 H
PES3054	10.5	2.1	100	700	3.0	415	6.3		4w/3p Sol.	50	84	440 W x 750 L x 680 H
<b>40 SERIES</b>												
PEM4023	14.0	3.0	110	700	4.0	415	8.85	*	3w/3p Man.	20	80	320 W x 450 L x 590 H
PEM4053	14.0	3.0	110	700	4.0	415	8.85	*	3w/3p Man.	50	87	440 W x 750 L x 710 H
PEM4024	14.0	3.0	110	700	4.0	415	8.85	*	4w/3p Man.	20	80	320 W x 450 L x 590 H
PEM4054	14.0	3.0	110	700	4.0	415	8.85	*	4w/3p Man.	50	87	440 W x 750 L x 710 H
PES4023	14.0	3.0	110	700	4.0	415	8.85	SOLENOID ADV/HOLD/RETRACT	3w/3p Sol.	20	86	320 W x 450 L x 590 H
PES4053	14.0	3.0	110	700	4.0	415	8.85		3w/3p Sol.	50	93	440 W x 750 L x 710 H
PES4024	14.0	3.0	110	700	4.0	415	8.85		4w/3p Sol.	20	86	320 W x 450 L x 590 H
PES4054	14.0	3.0	110	700	4.0	415	8.85		4w/3p Sol.	50	93	440 W x 750 L x 710 H

\* Standard supply is motor mounted ON/OFF/JOG switch. Remote pendant is optional. To order with remote pendant; add "R" to the end of the model number.  
<sup>A</sup> Standard supply includes roll frame and 63mm diameter pressure gauge.

**THE *SINGLE SPEED* RADIAL PISTON POWER UNITS OFFER A RANGE OF FLOW AND POWER OPTIONS TO SUIT MANY INDUSTRIAL APPLICATIONS.**

These power units are suitable for heavy duty applications and offer flows from 0.95 Lpm to 8.10 Lpm at 700 bar pressure. Valve options for operating single and double acting cylinders are available in manual or solenoid control.





**MOTOR SIZE**  
**0.84 - 11 kW**

**FLOW**  
**0.73 - 8.1 Lpm@700 bar**

**MAXIMUM OPERATING PRESSURE**  
**700 bar**

**C**  
**PUMPS**

**THE *SPLIT FLOW* POWER UNIT OFFERS SYNCHRONISED LIFTING AND LOWERING OF LOADS REGARDLESS OF WEIGHT DISTRIBUTION.**

Power is provided by a single electric motor to a single pump body incorporating 4 pressure outlets. Oil flow per outlet is identical for each revolution of the electric motor. The split flow power unit provides a simple effective solution to critical lifting and lowering applications. Manual valve options for double acting cylinders are standard and solenoid control is optional. Durapac also offers other split combinations such as 2 way, 6 way and 8 way.



Model No.	Flow Rate (Lpm)	Pressure Rating (bar)	Motor kW @ 1,450 rpm	Voltage (50 Hz)	Amps	Pendant Control	Valve Type Sol.= Solenoid Man.= Manual	Usable Oil Cap. (L)	Approx. Dry Weight (kg)	Approx. Dimensions (mm)
<b>RADIAL SINGLE SPEED SERIES</b>										
PEMR1523	0.95	700	1.5	240	8.3	MOTOR ON/OFF	3w/3p Man.	20	53	300 W x 450 L x 605 H
PEMR1524	0.95	700	1.5	240	8.3		4w/3p Man.	20	53	300 W x 450 L x 605 H
PESR1523	0.95	700	1.5	240	8.3	SOLENOID ADV/HOLD/RETRACT	3w/3p Sol.	20	59	300 W x 450 L x 605 H
PESR1524	0.95	700	1.5	240	8.3		4w/3p Sol.	20	59	300 W x 450 L x 605 H
PEMR3023	1.75	700	3.0	415	6.3	*	3w/3p Man.	20	55	320 W x 450 L x 560 H
PEMR3024	1.75	700	3.0	415	6.3	*	4w/3p Man.	20	55	320 W x 450 L x 560 H
PESR3023	1.75	700	3.0	415	6.3	SOLENOID ADV/HOLD/RETRACT	3w/3p Sol.	20	61	320 W x 450 L x 560 H
PESR3024	1.75	700	3.0	415	6.3		4w/3p Sol.	20	61	320 W x 450 L x 560 H
PEMR5553	3.97	700	5.5	415	11.3	*	3w/3p Man.	50	99	270 W x 440 L x 750 H
PEMR5554	3.97	700	5.5	415	11.3	*	4w/3p Man.	50	99	270 W x 440 L x 750 H
PESR5553	3.97	700	5.5	415	11.3	SOLENOID ADV/HOLD/RETRACT	3w/3p Sol.	50	105	270 W x 440 L x 750 H
PESR5554	3.97	700	5.5	415	11.3		4w/3p Sol.	50	105	270 W x 440 L x 750 H
PEMR11103	8.10	700	11	415	19.8	**	3w/3p Man.	100	**	**
PEMR11104	8.10	700	11	415	19.8	**	4w/3p Man.	100	**	**
PESR11103	8.10	700	11	415	19.8	SOLENOID ADV/HOLD/RETRACT	3w/3p Sol.	100	**	**
PESR11104	8.10	700	11	415	19.8		4w/3p Sol.	100	**	**
<b>SPLIT FLOW SERIES</b>										
PEMS4054	4 x 0.73	700	4.0	415	8.85	*	4w/3p Man.	50	180	440 W x 750 L x 710 H

\* Standard supply is motor mounted ON/OFF/JOG switch. Remote pendant is optional. To order with remote pendant; add "R" to the end of the model number.  
\*\* Consult Durapac.

**THE *DPR-SERIES* ROTARY AIR DRIVEN POWER UNITS ARE A TWO SPEED HIGH PERFORMANCE PUMP DESIGN.**

They are ideally suited to applications where air is the preferred power source. A choice of valve configurations allows them to be used with single or double acting cylinders and tools. Optional valve sub-plates offer pressure and flow control. All models feature a Gast® heavy duty air motor with a slide type motor ON/OFF air supply valve and 11 L usable oil reservoir.



Model No.	Used with Cylinder	Motor Size (kW)	Usable Oil Capacity (L)	Maximum Pressure Rating (bar)	Pressure Rating (bar)		Oil Output Flow Rate (Lpm)		Valve Type
					1st Stage	2nd Stage	1st Stage	2nd Stage	
DPR-222	S/A	1.27	11.0	700	48	700	5.1	0.36	Dump
DPR-223	S/A	1.27	11.0	700	48	700	6.8	0.36	Manual 3w/3p
DPR-224	D/A	1.27	11.0	700	48	700	6.8	0.36	Manual 4w/3p



## Did you know...

Durapac offers a range of optional sub-plates and directional control valves to suit the DPR-Series air driven power units.

- 1 Optional air actuated directional control valves, 3 & 4 way versions available.
- 2 Optional pilot check valve sub-plate.
- 3 Optional adjustable pressure relief valve sub-plate.



**OIL CAPACITY**  
**11 L**

**AIR PRESSURE RANGE**  
**4.1 - 5.6 bar**

**MAXIMUM OPERATING PRESSURE**  
**700 bar**



**DPR-222**

**Dump valve is a 2 way, 2 position lever operated flipper valve:**

**Position 1:** oil goes from pump to cylinder/tool and line pressure is held when pump is stopped.

**Position 2:** oil goes from pump to cylinder/tool and flows back automatically when pump is stopped.



**DPR-223**

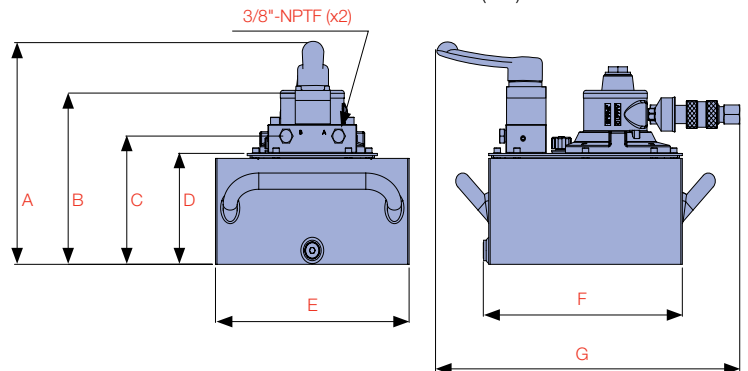
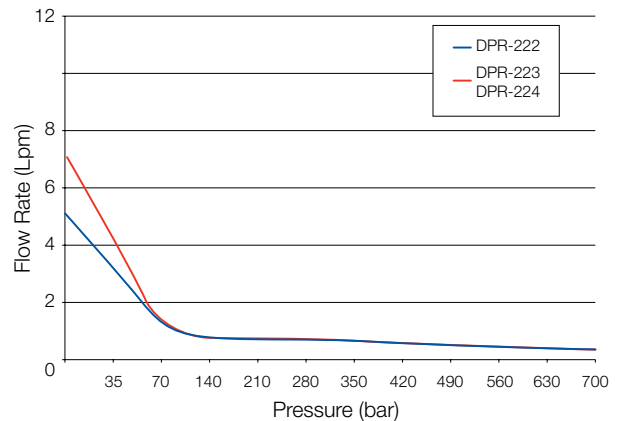
Manual 3 way/3 position valve for Advance/Hold/Retract of single acting cylinder/tool. Valve handle operation can be swapped from detent to spring loaded.



**DPR-224**

Manual 4 way/3 position valve for Advance/Hold/Retract of a double acting cylinder/tool. Valve handle detent operation.

## PERFORMANCE CHART



Valve Function	Air Pressure Range (bar)	Air Consumption (Lpm)	Sound Level (dB)	Dimensions (mm)							Weight (kg)
				A	B	C	D	E	F	G	
Advance/Return	4.1 - 5.6	1,246	93	-	303	212	184	305	313	456	24
Advance/Hold/Return	4.1 - 5.6	1,246	93	-	292	208	184	305	313	-	24
Advance/Hold/Return	4.1 - 5.6	1,246	93	362	295	208	184	305	313	459	24

C

PUMPS

THE *DPA-SERIES* OF AIR DRIVEN HYDRAULIC PUMPS ARE A FIELD PROVEN ECONOMICAL CHOICE OF POWER SOURCE FOR RUNNING SMALL TO MEDIUM HYDRAULIC CYLINDERS AND TOOLS WHEN COMPRESSED AIR IS AVAILABLE.

All models have a maximum working pressure of 700 bar and metal oil reservoirs for strength and durability. A convenient carry handle is built into the treadle and all pumps are supplied pre-filled with oil and ready for immediate use.



## FEATURES



- Choice of 1.5, 3.8 & 7.5 L usable oil reservoirs



- Remote actuation for adv/hold/retract functions



- 3 position treadle for adv/hold/retract functions



- Convenient carry handle included



- Dust cover protection for the release control valve



- 4 way directional control valve to operate double acting cylinders



- Release detent function enhances productivity



- Recommended air pressure range 4-12 bar



- 1.5 L high strength, reinforced alloy oil reservoir. 3.8 & 7.5 L reservoirs are made from durable steel

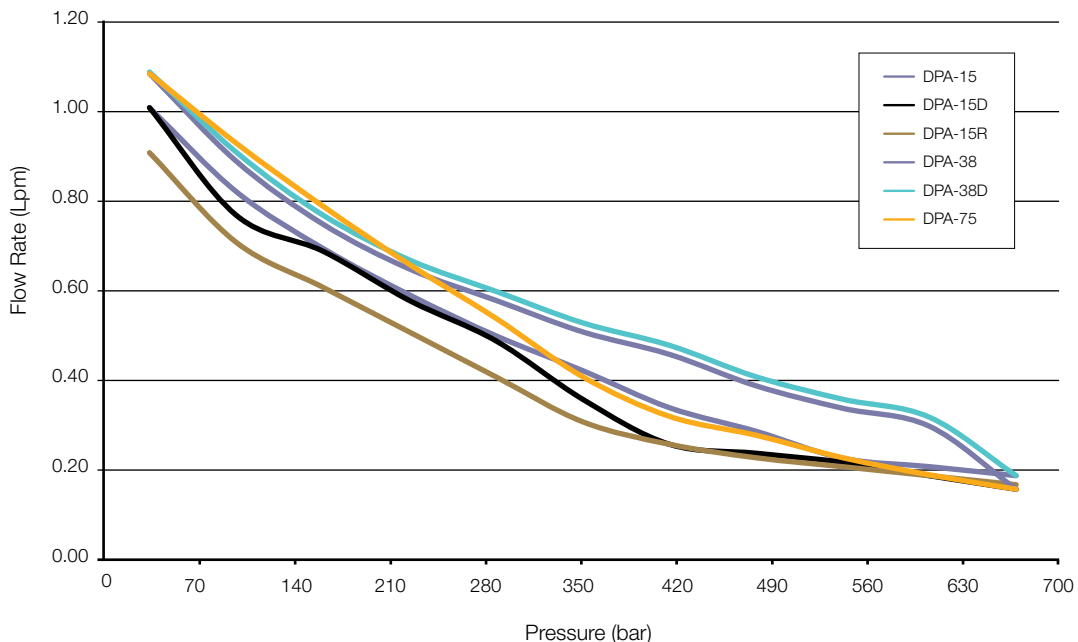


OIL CAPACITY  
**1.5 - 7.5 L**

AIR PRESSURE RANGE  
**4 - 12 bar**

MAXIMUM OPERATING PRESSURE  
**700 bar**

## PRESSURE VS FLOW RATE



**C**  
**PUMPS**

DPA-75



DPA-38

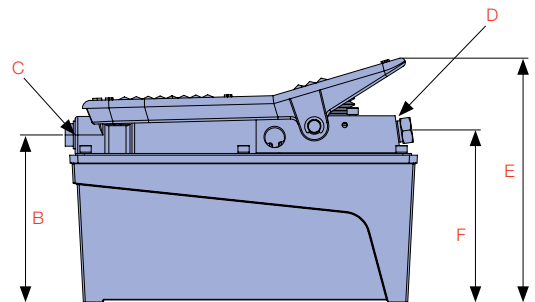
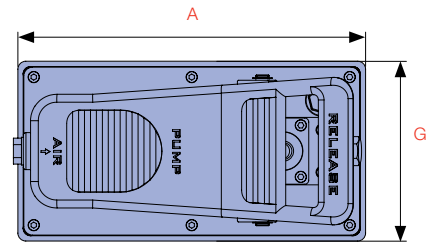


DPA-15

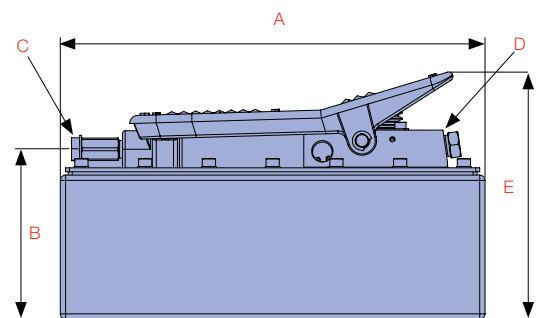
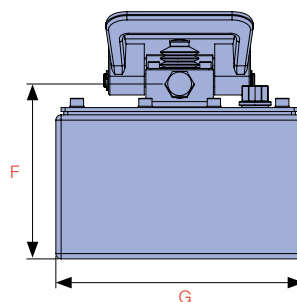


THE **DPA-15 (1.5 L)**, **DPA-38 (3.8 L)** AND **DPA-75 (7.5 L)** MODELS ARE THE STANDARD WORK HORSES OF THE RANGE.

Each has a 3 position treadle with advance/hold/retract functions, dust cover protection for the release control valve and a reinforced metal oil reservoir.



DPA-15



DPA-38 & DPA-75

Model Number	Used with Cylinder	Usable Oil Capacity (cc)	Pressure Rating (bar)	Output Flow Rate (cm <sup>3</sup> /min)		Air Pressure Range (bar)	Dimension (mm)						Weight (kg)	
				No load	Load		A	B	C	D	E	F		G
DPA-15	S/A	1,500	700	1,000	180	4-12	263	127	1/4"-NPT	3/8"-NPTF	185	131	136	8.2
DPA-15D	D/A	1,500	700	1,000	150	4-12	263	127	1/4"-NPT	3/8"-NPTF	203	136	136	8.7
DPA-15R	S/A	1,500	700	900	160	4-12	279	160	1/4"-NPT	3/8"-NPTF	204	130	136	8.8
DPA-38	S/A	3,800	700	1,075	150	4-12	321	129	1/4"-NPT	3/8"-NPTF	187	133	187	12.3
DPA-38D	D/A	3,800	700	1,075	180	4-12	321	129	1/4"-NPT	3/8"-NPTF	204	133	187	13.5
DPA-75	S/A	7,550	700	1,075	150	4-12	321	155	1/4"-NPT	3/8"-NPTF	212	159	255	17.4



THE **DPA-15R** IS A REMOTE EQUIPPED AIR DRIVEN HYDRAULIC PUMP AND IS IDEALLY SUITED WHEN A REMOTE ACTUATION OF THE PUMP IS REQUIRED.

The pump will operate small to medium sized single acting cylinders and is supplied with a 3 metre long hand lead with advance-hold-retract button on the remote.



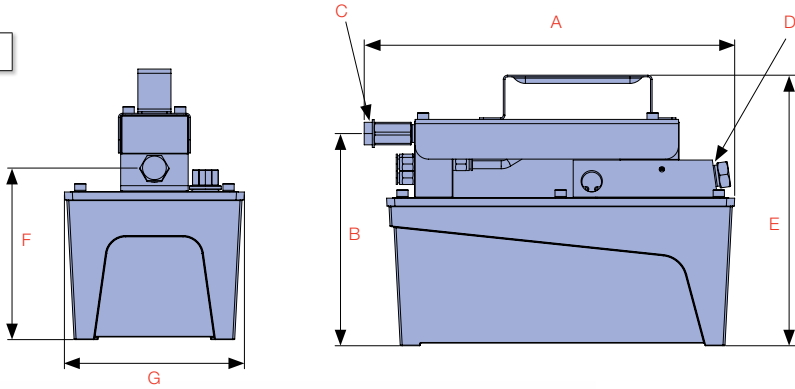
**OIL CAPACITY**  
**1.5 - 7.5 L**

**AIR PRESSURE RANGE**  
**4 - 12 bar**

**MAXIMUM OPERATING PRESSURE**  
**700 bar**

**C**  
**PUMPS**

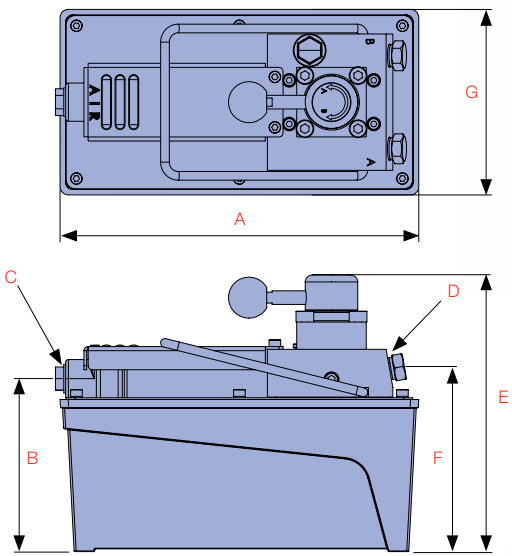
**DPA-15R**



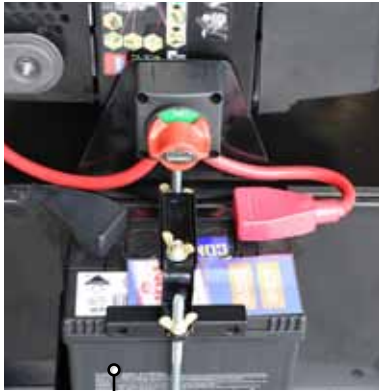
THE **DPA-15D** AND **DPA-38D** ARE AIR DRIVEN HYDRAULIC PUMPS WITH A 4 WAY/3 POSITION MANUAL DIRECTIONAL CONTROL VALVE.

They are designed for operating double acting, small to medium sized cylinders and tools.

**DPA-15D & DPA-38D**



**C**  
**PUMPS**



THE **PD-SERIES** DIESEL DRIVEN SINGLE SPEED RADIAL PISTON POWER UNITS ARE SUITABLE FOR HEAVY DUTY APPLICATIONS IN THE FIELD AND CAN DELIVER A MINIMUM FLOW OF 2.5 LPM AT 700 BAR PRESSURE.

It has a 50 L usable oil capacity coupled with the reliability of a 3.4kW Hatz® diesel motor. The transport system is easy to handle and incorporates an engine control dash board. PDS models have a remote control pendant (on a 4M lead) for actuation of solenoid valves. All power units have an externally adjustable pressure relief valve and offer a range of directional control valve options to operate single and double acting cylinders and tools. An optional sub-plate style pilot check valve is also available.

**12 V BATTERY**

with isolation switch

**5 LITRE FUEL TANK**

with filter

**RECOIL START**

for manual backup

**THROTTLE CONTROL LEVER**

for manual adjustment

**FUEL & OIL FILTER**

accessible for ease of service

**AIR COOLED DIESEL ENGINE**

3.4 kW with variable speed control

**CONTROL PANEL**

12V electric start/stop

**PRESSURE GAUGE**

63mm panel mounted  
0-1,000 bar

**SHUTDOWN PROTECTION**

on high temperature  
and low oil pressure

**SIDE EXIT EXHAUST SILENCER**

with mesh guard

**DIRECTIONAL CONTROL VALVES**

available in manual or solenoid versions to suit single and double acting cylinders



Model Number	Motor Type	kW	rpm	Flow Rate (Lpm) @ 700 bar	Maximum Pressure Rating (bar)	Remote Pendant Function 4 M Lead	Valve Type (3/8"-NPTF Ports) Sol. = Solenoid Man. = Manual	Usable Oil Capacity (L)	Approx. Dry Weight (kg)	Approx. Dimensions (mm)
PDM3053	Diesel	3.4	2,200	2.5	700	N/A	3w/3p Man.	50	190	450 W x 750 L x 650 H
PDM3054	Diesel	3.4	2,200	2.5	700	N/A	4w/3p Man.	50	190	450 W x 750 L x 650 H
PDS3053	Diesel	3.4	2,200	2.5	700	Solenoid ADV / HOLD / RETRACT	3w/3p Sol.	50	190	450 W x 750 L x 650 H
PDS3054	Diesel	3.4	2,200	2.5	700		4w/3p Sol.	50	190	450 W x 750 L x 650 H

THE **PDM3054-RAIL** DIESEL DRIVEN RAILWAY POWER UNIT IS SUITABLE FOR HEAVY DUTY APPLICATIONS IN THE FIELD AND CAN DELIVER A MINIMUM FLOW OF 2.5 LPM AT 700 BAR PRESSURE.

It is specifically designed to operate rail tensors and weld shears commonly used in the railway industry. It features a selector valve to choose which tool to operate and individual directional control valves for each tool. Tools can be single or double acting and each tool may have a different maximum operating pressure.



### Did you know...

*Durapac diesel power units can be custom designed to suit many applications. Variations in function, pressure and flow can be achieved. Consult Durapac for more information.*



MOTOR SIZE

**3.4 kW**

FLOW

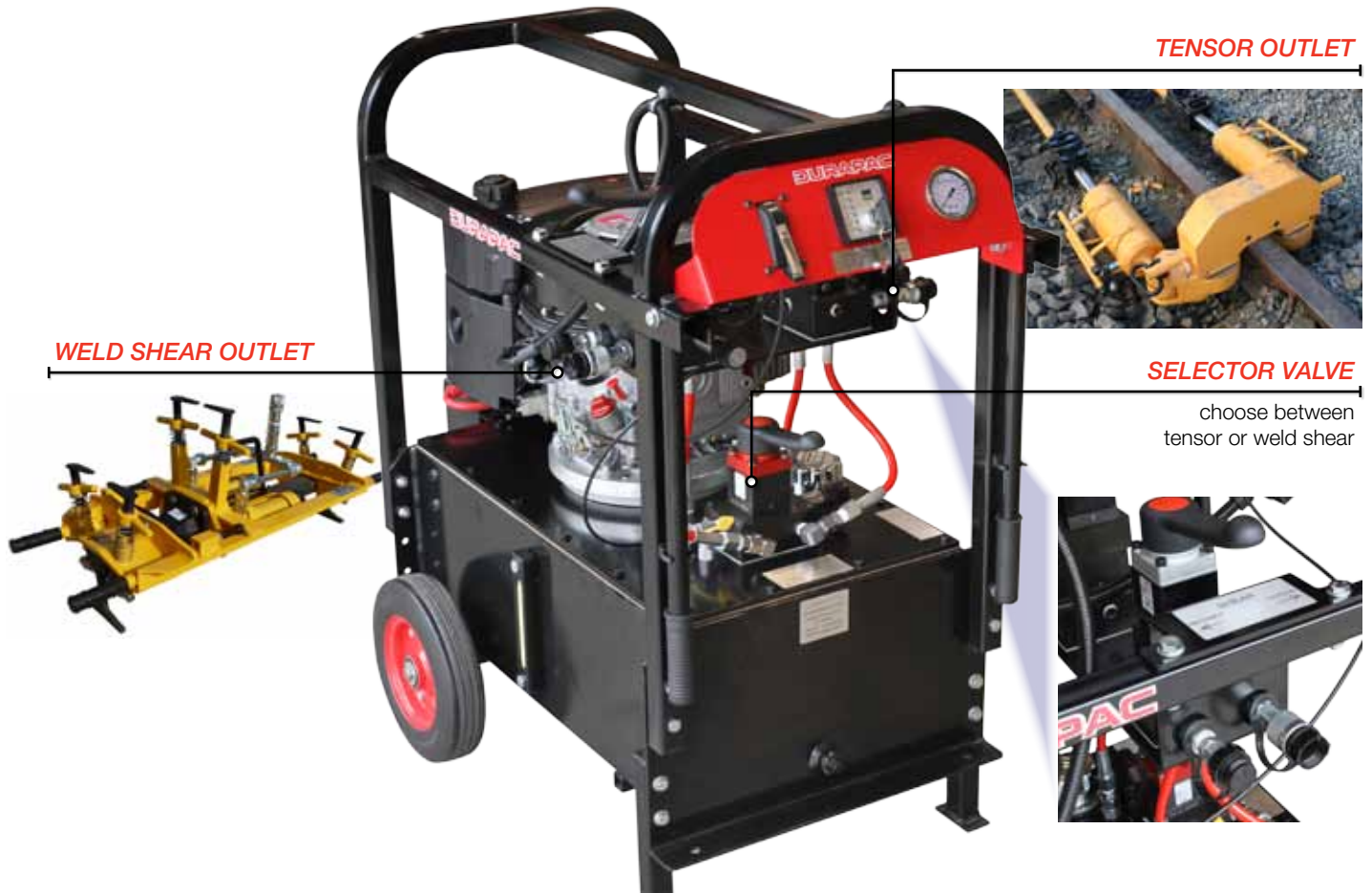
**2.5 Lpm**

MAXIMUM OPERATING PRESSURE

**700 bar**

C

PUMPS



Model Number	Motor Type	kW	rpm	Flow Rate (Lpm) @ 700 bar	Maximum Pressure Rating (bar)*	Valve Types (3/8"-NPTF Ports)	Usable Oil Capacity (L)	Approx. Dry Weight (kg)	Approx. Dimensions (mm)
PDM3054-RAIL	Diesel	3.4	2,200	2.5	700	Selector Shear** Tension**	50	190	450 W x 750 L x 650 H

\* Specify tool working pressure at placement of order.  
\*\* Specify single or double acting tools at placement of order.

**THE PHS-SERIES ARE AIR OPERATED HYDROSTATIC POWER UNITS THAT WORK WITH EITHER WATER OR OIL.**

These self-contained units are compact and robust and operate at either 300 or 700 bar. They come complete with air filter, regulator, lubricator, air/hydraulic pressure gauges, outlet pressure connection block, release valve and interconnecting pipework. The equipment is mounted inside a stainless steel frame and the power unit is ideally suited to hydrostatic testing, operation of hydraulic valve actuators, clamping and tensioning tools.



**STRAINER FILTER**

supplied on fluid inlet

**FILTER, REGULATOR AND LUBRICATOR**

are supplied on the air inlet

**AIR PRESSURE GAUGE**

to monitor working air pressure

**LIQUID FILLED HYDROSTATIC PRESSURE GAUGE**

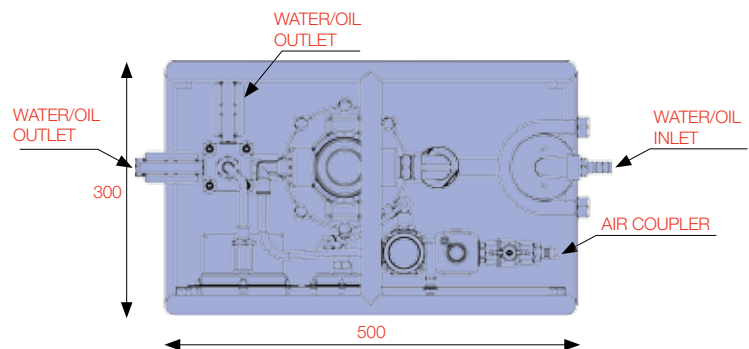
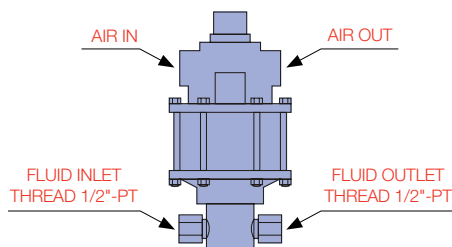
scale is bar/psi

**STAINLESS STEEL BASE AND FRAME**

resists corrosion and allows for easy handling

**WATER/OIL OUTLETS**

fitted with a 3/8"-18NPTF needle valve to allow greater control



Model Number	Compression Ratio	Output Oil/Water Flow Rate (cm <sup>3</sup> /stroke)	Maximum Operating Pressure (bar)	Working Air Pressure (bar)	Weight (kg)	Water/Oil Inlet Thread	Approx. Dimensions (mm)
PHS-300	1:60	6.4	300	5 ~ 7	25	3/8"-18NPTF	500 W x 300 L x 420 H
PHS-700	1:150	2.5	700	5 ~ 7	25	3/8"-18NPTF	500 W x 300 L x 420 H

THE **PHS-1900** IS A MANUALLY OPERATED HYDROSTATIC POWER UNIT THAT WORKS WITH EITHER WATER OR OIL.

Special steels and rust proofing treatments allow the unit to be used in test applications using water as the hydraulic medium. It is a single speed pump and is fitted with a high pressure safety relief valve set at 700 bar. A reservoir fill plug allows the use of an additional reservoir if more volume is required.

C

PUMPS



RESERVOIR CAPACITY

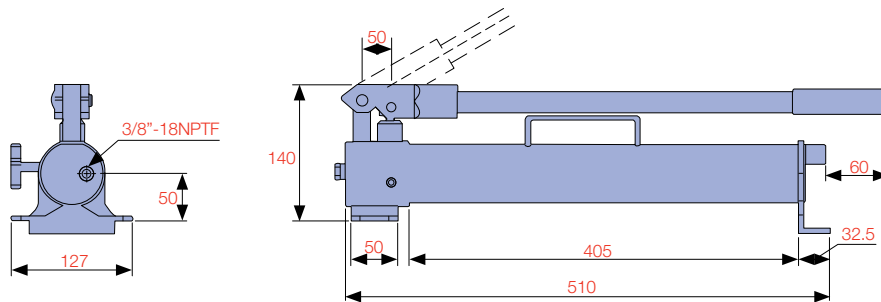
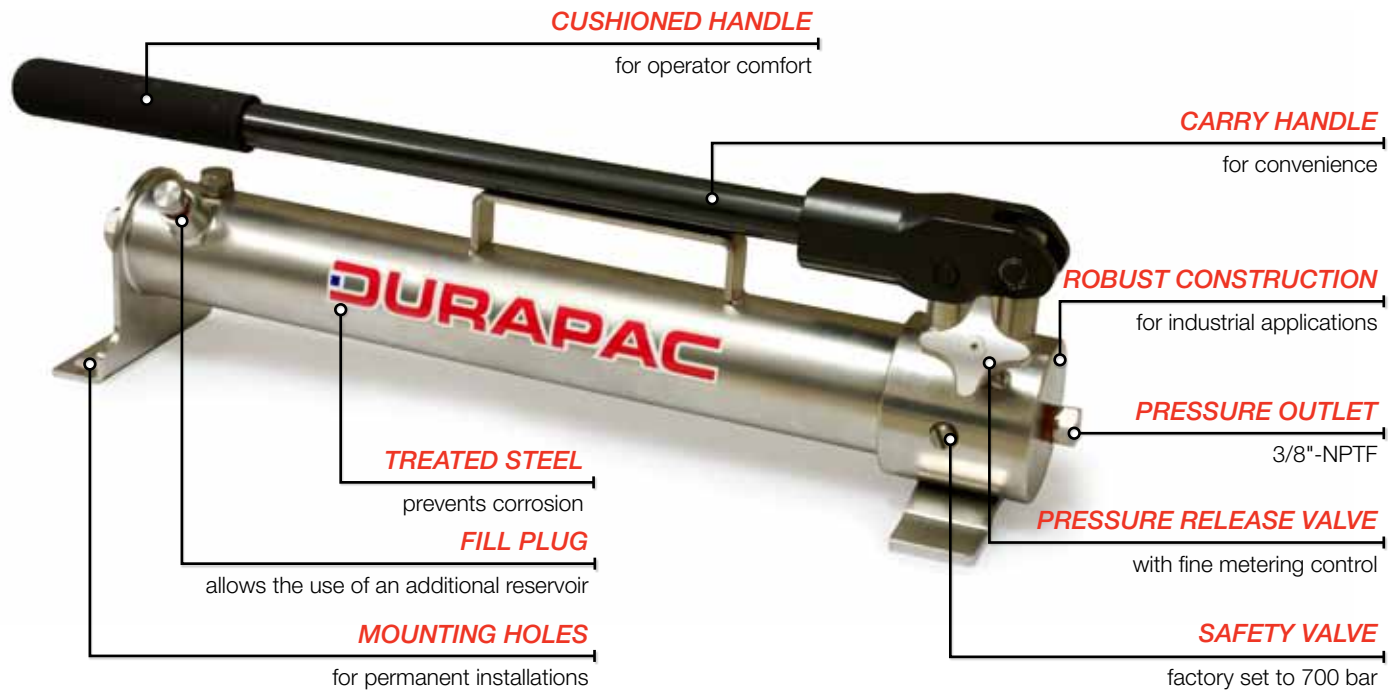
**900 cc**

AIR PRESSURE RANGE

**5 - 7 bar**

MAXIMUM OPERATING PRESSURE

**300/700 bar**



Model Number	Used with Cylinder	Pressure Rating (bar)	Usable Water Capacity (cc)	Water Volume per Stroke (cc)	Outlet Port Thread	Weight (kg)
PHS-1900	S/A	700	900	2.3	3/8"-NPTF	6.45

D

SYSTEM ACCESSORIES

---

**DURAPAC *SYSTEM ACCESSORIES* ALLOW FOR EASY CONNECTION AND ASSEMBLY OF DURAPAC HYDRAULIC TOOLS, PUMPS AND EQUIPMENT.**

All items are carefully designed and selected to be compatible with Durapac 700 bar working pressure equipment. High pressure hydraulic hoses are available in many standard lengths and can be custom made to special lengths on request. Our fittings are a 700 bar design with a 4:1 safety factor and are permanently marked with part number and working pressure. In line flow control valves allow system designers to assemble a safe controlled system using needle valves, check valves and pilot operated counter balance valves. Hydraulic pressure gauges and coupling options; including screwed and snap type ensure your hydraulic system is working safely and efficiently.

---



**DURAPAC HIGH PRESSURE HYDRAULIC FITTINGS ALLOW FOR EASY CONNECTION AND ASSEMBLY OF DURAPAC HYDRAULIC TOOLS, PUMPS AND EQUIPMENT.**

All fittings are rated to 700 bar working pressure with a 4:1 safety factor and each fitting is permanently marked with its respective part number and working pressure.



THREAD SIZES

**1/4" & 3/8"-NPT**  
**9/16"-18UNF**  
**3/4"-16UNF**

MAXIMUM OPERATING PRESSURE

**700 - 2,800 bar**

**FN-1**  
3/8"-NPT male hex nipple

**FN-3**  
3/8"-NPT male hex nipple x 80mm overall length

**FE-7**  
3/8"-NPT female/female 90° elbow

**FE-9**  
3/8"-NPT male/female 90° elbow

**FT-11**  
3/8"-NPT female/female/female tee

**FS-13**  
3/8"-NPT female hex socket

**DHO-01L, DHO-05L & DHO-20L**  
1 - 20 L Hydraulic Oil

**FC-15**  
3/8"-NPT female four port cross

**FR-16**  
3/8"-NPT male x 1/4"-NPT female reducing bush

**FN-26**  
1/4"-NPT male hex nipple

**FN-27**  
1/4"-NPT male x 3/8"-NPT male hex nipple

**FGA-1**  
3/8"-NPT male x 3/8"-NPT female x 1/4"-NPT female gauge adaptor on angle

**FGA-2**  
3/4"-16UNF x 9/16"-18UNF x 9/16"-18UNF 2,800 bar W.P. gauge adaptor. Includes connection nipples to suit pressure gauge and hand pump

**FGA-18**  
3/8"-NPT male x 3/8"-NPT female x 1/4"-NPT female gauge adaptor

D

SYSTEM ACCESSORIES

## GAUGES

**PG-63**

63 mm diam. 0-1,000 bar /  
0-14,500 psi 1/4"-NPT Male



**PG-100-40K**

100 mm diam. 0-2,700 bar /  
0-40,000 psi 9/16"-18UNF  
Female



**PG-100**

100 mm diam. 0-1,000 bar /  
0-14,500 psi 1/4"-NPT Male



**PG-100-60K**

100 mm diam. 0-4,000 bar /  
0-60,000 psi 9/16"-18UNF  
Female



**PG-150**

150 mm diam. 0-1,000 bar /  
0-14,500 psi 1/4"-NPT Male



**PGD-75**

75 mm diam. 0-800 bar /  
0-11,600 psi 1/4"-NPT Male



THE **PG-SERIES** HYDRAULIC PRESSURE GAUGES ARE RECOMMENDED FOR MONITORING ALL HYDRAULIC SYSTEMS.

Models are available from 63-150 mm face diameter and feature high quality stainless steel construction. Analogue models are liquid filled to increase longevity and are accurate to within 1% excluding model PG-63 (1.6%). The battery powered PGD-75 digital pressure gauge can be programmed with a cylinder effective area and quickly set to read in force measurements (kN, tonnes and kgs). It is ideal for testing applications requiring a force measurement and is accurate to within 0.25%.

## HOSES

THE **HPS-SERIES** HYDRAULIC 1/4" & 3/8" HOSES ARE A HIGH PRESSURE THERMOPLASTIC HOSE THAT EXCEEDS THE AMERICAN JACKING SPECIFICATIONS IJ100 FOR USE IN APPLICATIONS TO 700 BAR.

The hose is made up by an inner tube that is polyester elastomer and is reinforced by braids of aramid fibre plus one braid of steel wire covered with a polyurethane (anti abrasive) outer. The hose is lightweight and flexible with a tight bend radius for use on hose reels and in tight situations.

1/4" sizes are available in Red, Black and Twin (1 x Red / 1 x Black) for double acting hydraulic applications. All hoses are complete with crimp on fittings and bend restrictors. Models complete with hydraulic couplings are available (see table for details).



Model No.	Hose Size (inch)	Internal Diameter (mm)	Outside Diameter (mm)	Working Pressure		Min. Burst Pressure		Safety Factor Ratio	Temperature Range		Bend Radius (mm)	Weight (g/m)
				(bar)	(psi)	(bar)	(psi)		(min.)	(max.)		
HPS-06	1/4	6.6	12.7	700	10,000	2,800	40,000	4:1	-40 °C	+100 °C	35	180
HPS-10	3/8	9.8	18.7	700	10,000	2,800	40,000	4:1	-40 °C	+100 °C	90	330





HPS Model No.	Bore Size	Lengths	End Types	Colour
HPS-0601A*	1/4"	1 metre	1/4"-NPT - Male thread both ends	* INSERT 'R', 'B' OR 'T' AT END OF HOSE MODEL NUMBER WHEN ORDERING TO DEFINE COLOUR CHOICE OR SINGLE/TWIN HOSE  R = Red B = Black T = Twin (Red & Black) Fused
HPS-0602A*		2 metres		
HPS-0603A*		3 metres		
HPS-0604A*		4 metres		
HPS-0606A*		6 metres		
HPS-0610A*		10 metres		
HPS-0615A*		15 metres		
HPS-0620A*		20 metres		
HPS-0625A*		25 metres		
HPS-0630A*		30 metres		
HPS-0601B*		1 metre	3/8"-NPT - Male thread both ends	
HPS-0602B*		2 metres		
HPS-0603B*		3 metres		
HPS-0604B*		4 metres		
HPS-0606B*		6 metres		
HPS-0610B*		10 metres		
HPS-0615B*		15 metres		
HPS-0620B*		20 metres		
HPS-0625B*		25 metres		
HPS-0630B*		30 metres		
HPS-0601C*		1 metre	CH-6 Male coupling on one end and other end 3/8"-NPT Male thread	
HPS-0602C*		2 metres		
HPS-0603C*		3 metres		
HPS-0604C*		4 metres		
HPS-0606C*		6 metres		
HPS-0610C*		10 metres		
HPS-0615C*		15 metres		
HPS-0620C*		20 metres		
HPS-0625C*		25 metres		
HPS-0630C*		30 metres		
HPS-0601D*	1 metre	CH-6 Male coupling on both ends		
HPS-0602D*	2 metres			
HPS-0603D*	3 metres			
HPS-0604D*	4 metres			
HPS-0606D*	6 metres			
HPS-0610D*	10 metres			
HPS-0615D*	15 metres			
HPS-0620D*	20 metres			
HPS-0625D*	25 metres			
HPS-0630D*	30 metres			
HPS-1001BB	3/8"	1 metre	3/8"-NPT Male thread	Available in Black only
HPS-1002BB		2 metres		
HPS-1003BB		3 metres		
HPS-1004BB		4 metres		
HPS-1006BB		6 metres		
HPS-1010BB		10 metres		
HPS-1015BB		15 metres		
HPS-1020BB		20 metres		
HPS-1025BB		25 metres		
HPS-1030BB		30 metres		
HPS-1001CB		1 metre	CH-6 Male coupling on one end and other end 3/8"-NPT Male	
HPS-1002CB		2 metres		
HPS-1003CB		3 metres		
HPS-1004CB		4 metres		
HPS-1006CB		6 metres		
HPS-1010CB		10 metres		
HPS-1015CB		15 metres		
HPS-1020CB		20 metres		
HPS-1025CB		25 metres		
HPS-1030CB		30 metres		
HPS-1001DB		1 metre	CH-6 Male coupling on both ends	
HPS-1002DB		2 metres		
HPS-1003DB		3 metres		
HPS-1004DB		4 metres		
HPS-1006DB		6 metres		
HPS-1010DB		10 metres		
HPS-1015DB		15 metres		
HPS-1020DB		20 metres		
HPS-1025DB		25 metres		
HPS-1030DB		30 metres		



THREAD SIZES

**1/4" & 3/8"-NPT**  
**9/16"-18UNF**

MAXIMUM OPERATING  
PRESSURE

**700 - 4,000 bar**



### Did you know...

When using long hose lengths it may be necessary to refill the pump reservoir to allow for the oil that has filled the hose. Allow the following volumes per metre of hose length:  
HPS-06: 34.21 cc/m  
HPS-10: 75.43 cc/m

D

SYSTEM ACCESSORIES

## DURAPAC *IN LINE FLOW CONTROL VALVES* ALLOW THE SYSTEM DESIGNER GREAT FLEXIBILITY AND CONTROL.

Available options include a needle type flow control valve, two and four outlet needle valve blocks and check valve with manual by-pass. The VCB-1 load lowering counter balance valve offers smooth, chatter free lifting and lowering when used with double acting cylinders. It has a pilot pressure adjusting range of 50-350 bar and can be mechanically locked once set.

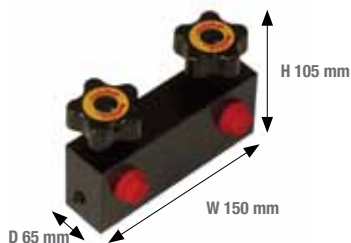
### VCB-1

Load lowering counter balance valve for smooth controlled lifting and lowering. Pilot pressure adjusting range 50-350 bar. Ports 3/8"-BSP parallel female (pilot port 1/4"-BSP parallel female). Supplied with 2 each 3/8"-BSPP x 3/8"-NPT male nipples



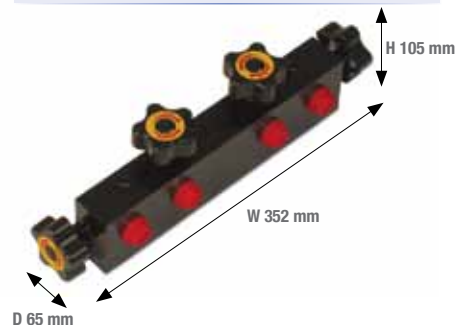
### VMN-2

2 way aluminium bodied manifold with needle valves - 2 x 3/8"-NPT female outlet ports, 1 x 3/8"-NPT female inlet port (centrally located opposite to the 2 outlet ports)



### VMN-4

4 way aluminium bodied manifold with needle valves - 4 x 3/8"-NPT female outlet ports, 1 x 3/8"-NPT female inlet port (centrally located opposite to the 4 outlet ports)



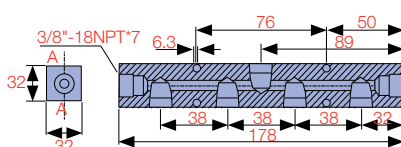
### VNV-1

3/8"-NPT female needle valve



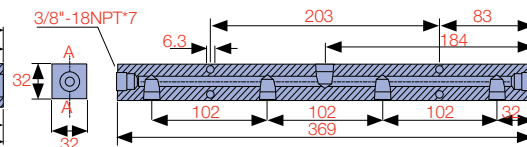
### RM-7S

7 port steel bodied return manifold - 7 x 3/8"-NPT female ports



### RM-7L

7 port steel bodied return manifold - 7 x 3/8"-NPT female ports



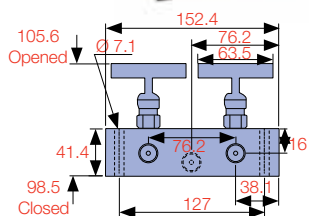
### VCV-66

3/8"-NPT female load lowering check valve with manual bypass



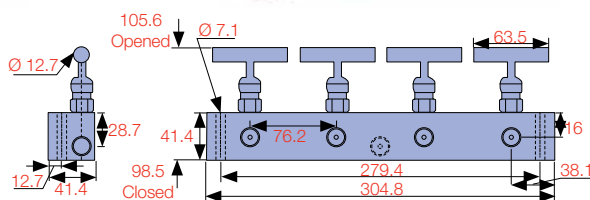
### VMN-2M

2 way steel bodied manifold with needle valves - 2 x 3/8"-NPT female outlet ports, 1 x 3/8"-NPT female inlet port (centrally located opposite to the 2 outlet ports)



### VMN-4M

4 way steel bodied manifold with needle valves - 4 x 3/8"-NPT female outlet ports, 1 x 3/8"-NPT female inlet port (centrally located opposite to the 4 outlet ports)



DURAPAC **HYDRAULIC COUPLINGS** OFFER THE USER VARIOUS OPTIONS FOR EASY ASSEMBLY AND CONNECTION OF HYDRAULIC SYSTEMS AND TOOLS.

The CR-6 female high flow screw coupling with dust cap is standard supply on all Durapac cylinders. Other options available include 1/8" and 1/4" screw style couplings and snap together style where no oil spill on connection or disconnection is desirable. The GCS-210 is a gauge coupling set and is ideal for use when the pressure gauge needs to be removed from a system for protection and transportation.



**THREAD SIZES**  
**1/4", 1/8" & 3/8"-NPT**  
**1/4" & 3/8"-BSPP**

**MAXIMUM OPERATING PRESSURE**  
**700 bar**

**CH-2**

1/8" male coupling with dust cap\* (1/8"-NPT male)



**CR-2**

1/8" female coupling with dust cap\* (1/8"-NPT male)



**CS-2**

Coupling set with dust caps\* includes CH-2 and CR-2



**CH-4**

1/4" male coupling with dust cap\* (1/4"-NPT female)



**CR-4**

1/4" female coupling with dust cap\* (1/4"-NPT male)



**CS-4**

Coupling set with dust caps\* includes CH-4 and CR-4



**CH-6**

3/8" male coupling with dust cap\* (3/8"-NPT female)



**CR-6**

3/8" female coupling with dust cap\* (3/8"-NPT male)



**CS-6**

3/8" coupling set with dust caps includes CH-6 and CR-6



**UDC-1**

Universal dust cap to suit 3/8" male and female couplings



**CFH-6**

Male half snap coupling with dust cap (3/8"-NPT female)



**CFR-6**

Female half snap coupling with dust cap (3/8"-NPT female)



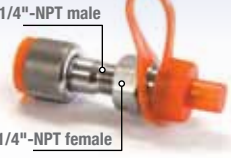
**CFS-6**

Snap coupling set with dust caps includes CFH-6 and CFR-6



**GCS-210**

Gauge coupling set with dust caps. Compact pin design



1/4"-NPT male  
1/4"-NPT female

\* Dust cap not shown

E

BOLTING SOLUTIONS



**THE *DBT SERIES* HYDRAULIC BOLT TENSIONERS WILL ENSURE UNIFORMED GASKET COMPRESSION.**

Compression is essential for the integrity of critical bolted flange connections. Unlike a torque wrench, the DBT Series Bolt Tensioners are capable of tightening more than one bolt at a time and can apply a consistent torque via direct axial stretching to any given number of bolts simultaneously. These tensioners have been designed to fit all standard ANSI & API flanges with quick release bridge and hexagon socket for fast change over. There are 10 load cells from M20 to M150 or 3/4" to 5-3/4" and they are light and easily handled. All cylinders are electroless nickel plated for extra protection and are easily maintained.



Model Number	DBT-20	DBT-35	DBT-50	DBT-60	DBT-90	DBT-130	DBT-160	DBT-200	DBT-250	DBT-310
Maximum Force (kN)	300	525	750	900	1,350	1,950	2,400	3,000	3,750	4,650
Piston Stroke (mm)	8	8	8	8	8	8	10	10	10	10
Maximum Pressure (bar)	1,500	1,500	1,500	1,500	1,500	1,500	1,500	1,500	1,500	1,500
Effective Area (cm <sup>2</sup> )	20	35	50	60	90	130	160	200	250	310
Metric Bolt Dimension (Ø * pitch)	M20*2.5	M27*3	M36*4	M42*4.5	M45*4.5	M60*5.5	M72*6	M80*6	M100*6	M125*6
	M22*2.5	M30*3.5	M39*4	M45*4.5	M48*5	M64*6	M76*6	M85*6	M110*6	M130*6
	M24*3	M33*3.5	M42*4.5	M48*5	M52*5	M68*6	M80*6	M90*6	M120*6	M140*6
	M27*3	M36*4	M45*4.5	M52*5	M56*5.5	M72*6	-	M95*6	M125*6	M150*6
Imperial Threads (Ø in-)	3/4"-10	1"-8	1-3/8"-6	1-1/2"-6	1-3/4"-5	2-1/2"-4	2-3/4"-4	3-1/4"-4	3-3/4"-4	5"-4
	7/8"-9	1-1/8"-7	1-1/2"-6	1-3/4"-5	2"-4-1/2	2-3/4"-4	3"-4	3-1/2"-4	4"-4	5-1/4"-4
	1"-8	1-1/4"-7	1-3/4"-5	2"-4-1/2	2-1/4"-4-1/2	-	-	3-3/4"-4	4-1/4"-4	5-1/2"-4
	-	1-3/8"-6	-	-	-	-	-	-	4-1/2"-4	5-3/4"-4
	-	-	-	-	-	-	-	-	4-3/4"-4	-
Weight (kg)	3	5	8	11	18	25	33	39	56	77

**MULTIPLE SIZES**

for thread adapters per load cell

**KNURLED FINISH**

provides anti-slip grip for better handling

**DUAL PORTS**

allow quick coupling of multiple tools

**REMOVABLE AND ROTATIONAL BRIDGE**

with full bridge window to simplify positioning

**ELECTROLESS NICKEL PLATED**

for extra protection

**BRIDGE SIZE STANDARD**

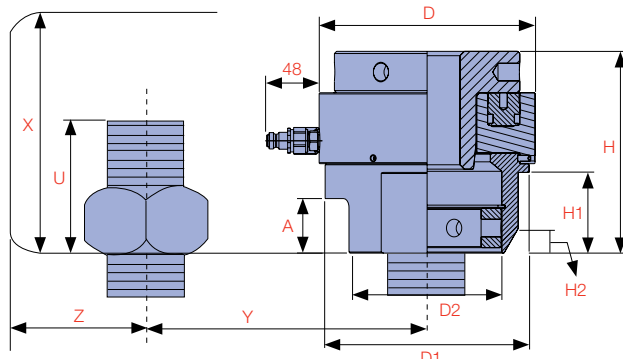
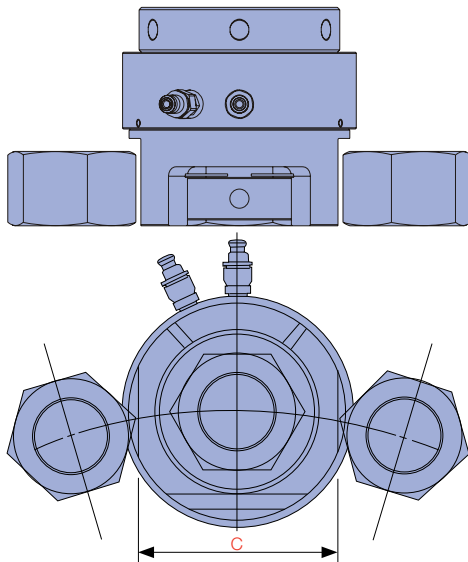
for each load cell

**TOMMY BAR**

supplied to enable easy tightening or loosening of the thread adaptor or hex socket

**MULTIPLE SIZES**

for hex sockets per load cell





**CAPACITY**  
**300 - 4,650 kN**

**STROKE**  
**8 - 10 mm**

**BOLT RANGE**  
**3/4" - 5-3/4" or M20 - M150**

**MAXIMUM OPERATING PRESSURE**  
**1,500 bar**

**BOLTING SOLUTIONS**

Model Number	DBT-20	DBT-35	DBT-50	DBT-60	DBT-90	DBT-130	DBT-160	DBT-200	DBT-250	DBT-310
<b>A (mm)</b>	26	31	38	40	42	50	50	60	73	86
<b>C (mm)</b>	66	83	100	118	134	167	175	210	253	293
<b>D (mm)</b>	86	109	128	144	170	198	220	244	300	340
<b>D1 (mm)</b>	74	97	116	133	154	187	203	232	272	313
<b>D2 (mm)</b>	56	73	90	102	114	137	145	180	223	260
<b>H (mm)</b>	105	116	128	140	154	185	190	203	235	268
<b>H1 (mm)</b>	25	35	45	54	59	74	74	97	131	156
<b>H2 (mm)</b>	5.2	5.2	10.4	10.4	13.9	22.5	22.5	22.5	22.5	32.5
<b>U (mm)</b>	38	52	69	80	86	114	137	152	190	238
	42	57	74	86	92	122	145	162	209	247
	46	63	80	92	99	130	152	171	228	266
<b>Minimum Exposed Thread</b>	52	69	86	99	107	137	-	181	238	285
	-	-	-	-	114	145	-	190	-	-
<b>X (mm)</b>	138	168	197	220	240	293	327	355	425	506
	142	173	202	226	246	301	335	365	444	515
	146	179	208	232	253	309	342	374	463	534
	152	185	214	239	261	316	-	384	473	553
<b>Minimum Installation Height</b>	-	-	-	-	268	324	-	393	-	-
	56	73.5	91	91	119	147	163.5	184.5	222	262.5
	57	76.5	94	92	122	150	166.5	187.5	227.5	265
	59	79	97	94	124.5	153	169.5	193	236	274
<b>Minimum Fastener Distance</b>	62	81	100	96	127.5	155.5	-	196	242	280
	-	-	-	-	130.5	158.5	-	202	-	-
	-	-	-	-	-	-	-	-	-	-
<b>Z (mm) Diametric Clearance</b>	44.5	56	65.5	69.4	84.5	101	109	124	144	164.5



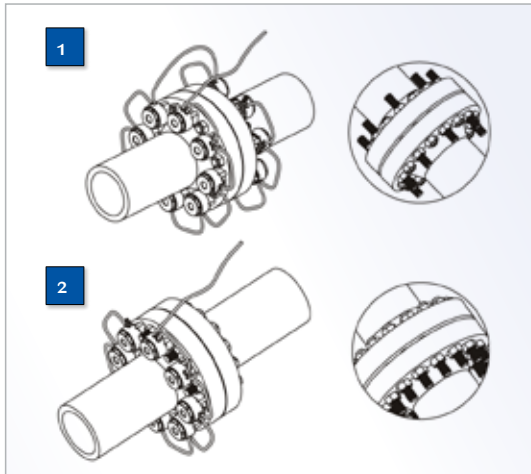
### How to order...

For greater flexibility Thread & Socket Kits are ordered separately.



- 1) Select appropriate Cylinder and Bridge model
- 2) Select appropriate Thread and Socket Kit based on bolt diameter and AF size
- 3) Create order for complete unit e.g.  
 1 x **DBT-50** Cylinder and Bridge  
 1 x **DBT-50-M42-65** Thread and Socket Kit

Bolt Diameter (mm)	AF Size (mm)	Cylinder & Bridge Number									
		DBT-20 300 kN	DBT-35 525 kN	DBT-50 750 kN	DBT-60 900 kN	DBT-90 1,350 kN	DBT-130 1,950 kN	DBT-160 2,400 kN	DBT-200 3,000 kN	DBT-250 3,750 kN	DBT-310 4,650 kN
		Thread & Socket Kit									
M20 x 2.5	30	M20-30									
M22 x 2.5	32	M22-32									
M24 x 3	36	M24-36									
M27 x 3	41	M27-41	M27-41								
M30 x 3.5	46		M30-46								
M33 x 3.5	50		M33-50								
M36 x 4	55		M36-55	M36-55							
M39 x 4	60			M39-60							
M42 x 4.5	65			M42-65	M42-65						
M45 x 4.5	70			M45-70	M45-70	M45-70					
M48 x 5	75				M48-75	M48-75					
M52 x 5	80				M52-80	M52-80					
M56 x 5.5	85					M56-85					
M60 x 5.5	90					M60-90	M60-90				
M64 x 6	95						M64-95				
M68 x 6	100						M68-100				
M72 x 6	105						M72-105	M72-105			
M76 x 6	110						M76-110	M76-110			
M80 x 6	115							M80-115	M80-115		
M85 x 6	120								M85-120		
M90 x 6	130								M90-130		
M95 x 6	135								M95-135		
M100 x 6	145								M100-145	M100-145	
M110 x 6	155									M110-155	
M120 x 6	170									M120-170	
M125 x 6	180									M125-180	M125-180
M130 x 6	185										M130-185
M140 x 6	200										M140-200
M150 x 6	210										M150-210



**Tensioning**

*Not all applications allow for the simultaneous fit of a tensioning device on each bolt, in these cases at least two tensioning pressures are applied.*

1) Setup using a 100% tensioning procedure  
2) Setup using a 50% tensioning procedure

*Manufacturer's rating of pressure and torque are maximum safe limits. Good practice encourages using only 80% of these ratings*



Bolt Diameter (inch)	AF Size (inch)	Cylinder & Bridge Number									
		DBT-20 300 kN	DBT-35 525 kN	DBT-50 750 kN	DBT-60 900 kN	DBT-90 1,350 kN	DBT-130 1,950 kN	DBT-160 2,400 kN	DBT-200 3,000 kN	DBT-250 3,750 kN	DBT-310 4,650 kN
Thread & Socket Kit											
3/4"-10	1-1/4"	012-104									
7/8"-9	1-7/16"	014-107									
1"-8	1-5/8"	100-110	100-110								
1-1/8"-7	1-13/16"		102-113								
1-1/4"-7	2"		104-200								
1-3/8"-6	2-3/16"		106-203	106-203							
1-1/2"-6	2-3/8"			108-206	108-206						
1-5/8"-8	2-9/16"			110-209	110-209						
1-3/4"-5	2-3/4"			112-212	112-212	112-212					
1-7/8"-8	2-15/16"				114-215	114-215					
2"-4.5	3-1/8"				200-302	200-302					
2-1/4"-4.5	3-1/2"					204-308					
2-1/2"-4	3-7/8"						208-314				
2-3/4"-4	4-1/4"						212-404	212-404			
3"-4	4-5/8"							300-410			
3-1/4"-4	5"								304-500		
3-1/2"-4	5-3/8"								308-506		
3-3/4"-4	5-3/4"								312-512	312-512	
4"-4	6-1/8"									400-602	
4-1/4"-4	6-1/2"									404-608	
4-1/2"-4	6-7/8"									408-614	
4-3/4"-4	7-1/4"									412-704	
5"-4	7-5/8"										500-710
5-1/4"-4	8"										504-800
5-1/2"-4	8-3/8"										508-806
5-3/4"-4	8-3/4"										512-812

Thread Adaptor



Cylinder



Bridge

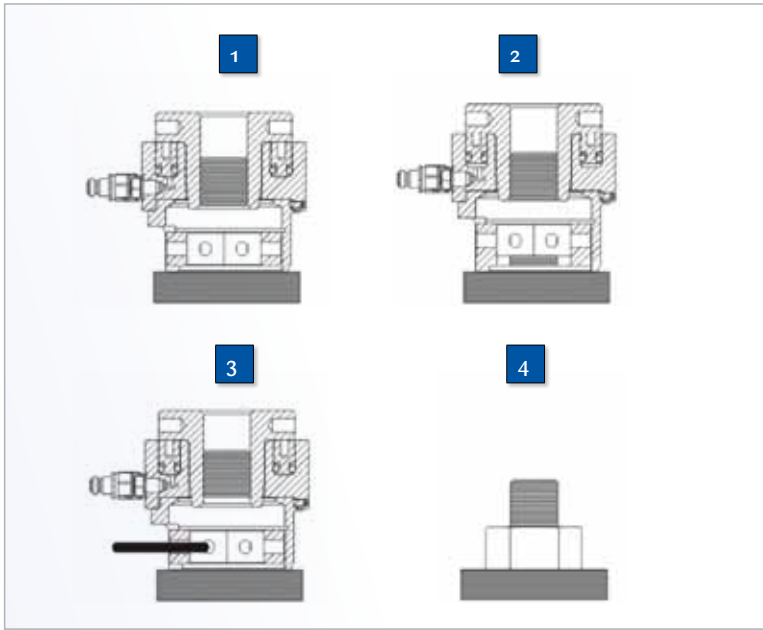


Hex Socket



Cross Sectional





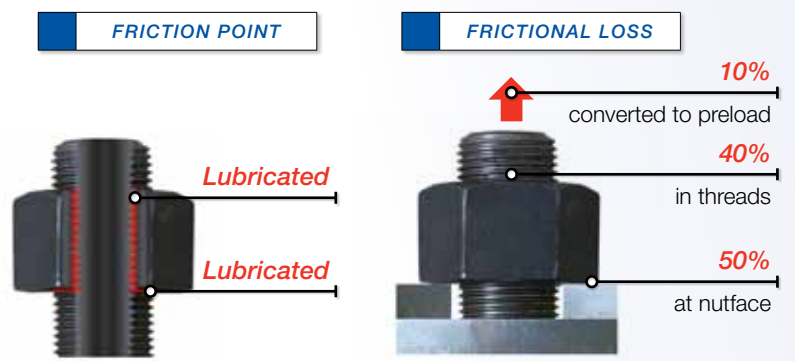
### Tensioner Instructions

- 1) The bolt tensioner is fitted over the stud
- 2) Hydraulic pressure is applied to the tensioner which then stretches the stud
- 3) The stud's nut is wound down against the joint face
- 4) Pressure is released and the tool removed



### Advantages of Lubrication

- 1) Reduces the friction during tightening
- 2) Increases bolt service life
- 3) Decreases bolt failure during installation
- 4) Higher friction results in less conversion of torque to preload

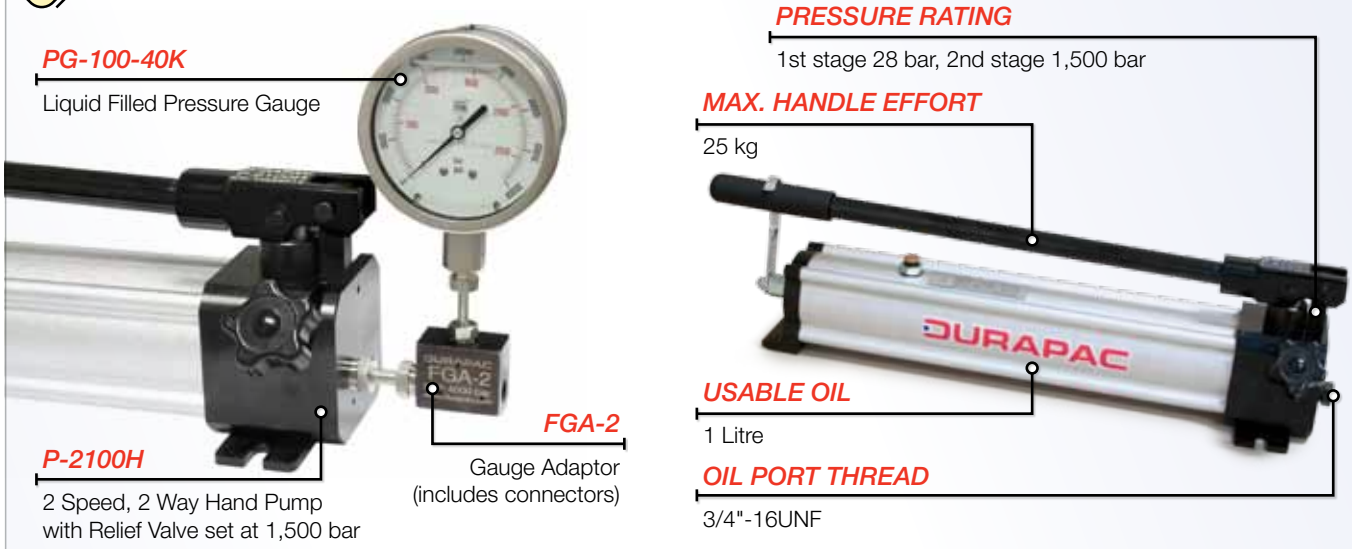


Pressure (bar)	DBT-20 kN	DBT-35 kN	DBT-50 kN	DBT-60 kN	DBT-90 kN	DBT-130 kN	DBT-160 kN	DBT-200 kN	DBT-250 kN	DBT-310 kN	Pressure (psi)
100	20	35	50	60	90	130	160	200	250	310	1,450
200	40	70	100	120	180	260	320	400	500	620	2,901
300	60	105	150	180	270	390	480	600	750	930	4,351
400	80	140	200	240	360	520	640	800	1,000	1,240	5,801
500	100	175	250	300	450	650	800	1,000	1,250	1,550	7,252
600	120	210	300	360	540	780	960	1,200	1,500	1,860	8,702
700	140	245	350	420	630	910	1,120	1,400	1,750	2,170	10,152
800	160	280	400	480	720	1,040	1,280	1,600	2,000	2,480	11,603
900	180	315	450	540	810	1,170	1,440	1,800	2,250	2,790	13,053
1,000	200	350	500	600	900	1,300	1,600	2,000	2,500	3,100	14,503
1,100	220	385	550	660	990	1,430	1,760	2,200	2,750	3,410	15,954
1,200	240	420	600	720	1,080	1,560	1,920	2,400	3,000	3,720	17,404
1,300	260	455	650	780	1,170	1,690	2,080	2,600	3,250	4,030	18,854
1,400	280	490	700	840	1,260	1,820	2,240	2,800	3,500	4,340	20,305
1,500	300	525	750	900	1,350	1,950	2,400	3,000	3,750	4,650	21,755





The DBTP-1500K is made up of P-2100H Hand Pump, FGA-2 Gauge Adaptor and PG-100-40K Pressure Gauge. This kit is ideal for single stud or small to medium bolt tensioning applications.



**PG-100-40K**

Liquid Filled Pressure Gauge

**P-2100H**

2 Speed, 2 Way Hand Pump with Relief Valve set at 1,500 bar

**FGA-2**

Gauge Adaptor (includes connectors)

**PRESSURE RATING**

1st stage 28 bar, 2nd stage 1,500 bar

**MAX. HANDLE EFFORT**

25 kg


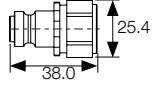


**USABLE OIL**


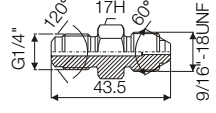

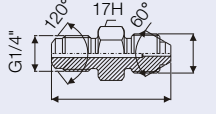

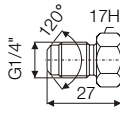
1 Litre


**OIL PORT THREAD**

3/4"-16UNF

**DBTP-1500K / 1,500 bar Hand Pump Kit**

Model Number	Description	Dimensions
 DBT116M	 Max. W.P 150Mpa Min. B.P 300Mpa Flow at 0.4Mpa pressure 6.0L/min. Material Hardened, zinc chromate plated steel	Connect: G1/4" Weight: 60g Rec. Torque: 40-50Nm Hexagon key handle: 22
 DBT116F	 Max. W.P 150Mpa Min. B.P 300Mpa Flow at 0.4Mpa pressure 6.0L/min. Material Hardened, zinc chromate plated steel	Connect: G1/4" Weight: 165g Rec. Torque: 40-50Nm Hexagon key handle: 24

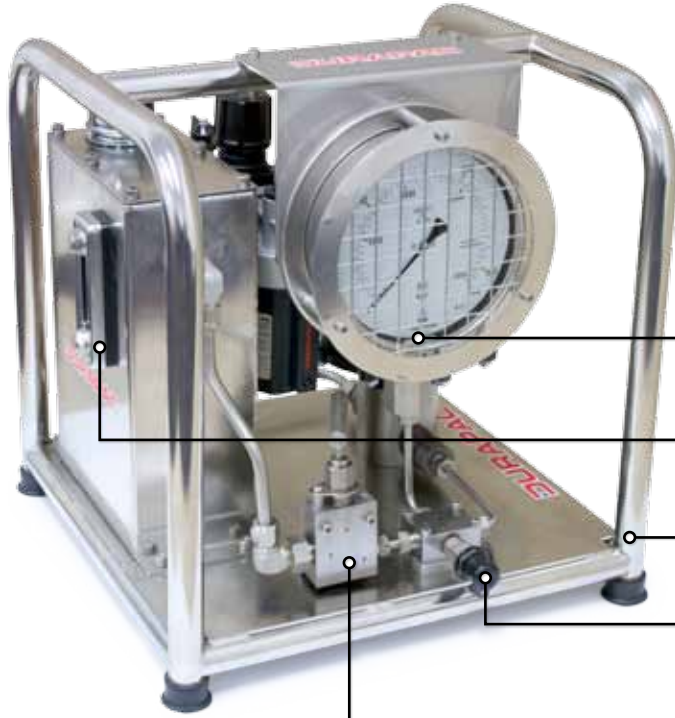
Model Number	Dimension (mm)	End One	End Two
 DBT14129166I	 G1/4" 120° 17H 60° 43.5 9/16"-18UNF	G1/4" 120°	9/16"-18UNF male thread with 60° internal cone
 DBT14129166E	 G1/4" 120° 17H 60° 43.5 9/16"-18UNF	G1/4" male thread with 120° external cone	9/16"-18UNF male thread with 60° external cone
 DBT1412SP	 G1/4" 120° 17H 27	G1/4" male thread with 120° external cone	-

Model Number	Description	End One	End Two
 DBTH-05A*	Inner core: Polyoxymethylene (POM) Outer cover: Polyamide (PA) 4 layers of high-tensile steel wire Inside Diameter: 5.0mm, Outside Diameter: 11.2mm Working Pressure: 1,800bar, Burst Pressure: 4,500bar Minimum Bend Radius: 150mm Weight: 0.26 kg/M	G1/4" Male	G1/4" Male

\* Confirm hose length in meters when ordering

THE **PAMH & PEMH POWER UNITS** ARE PERFECTLY DESIGNED FOR BOLT TENSIONING APPLICATIONS UTILISING DURAPAC DBT SERIES BOLT TENSIONERS AT 1,500 BAR.

The PAMH1514 is a lightweight single acting pump suited to applications where air is the preferred power source. The PEMH0543 is an electric two speed pump with a 2.8 metre remote hand pendant.



**LIQUID FILLED PRESSURE GAUGE**

range is 0-1,600 bar / 0-23,000 psi

**SIGHT GLASS**

incorporating a temperature gauge

**STAINLESS STEEL BASE AND FRAME**

resists corrosion and allows for easy handling

**OIL OUTLET**

fitted with a 1/4" DBT116M quick release nipple

**PRESSURE RELEASE VALVE**



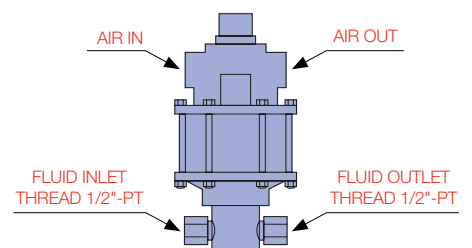
**FILTER, REGULATOR & LUBRICATOR WITH GAUGE**

are supplied on the air inlet

**STAINLESS STEEL RESERVOIR**

5.6 litres of usable oil

**RESERVOIR ON/OFF VALVE**



Model Number	Used with Cylinder	Pressure Rating (bar)	Compression Ratio	Oil Flow (cm <sup>3</sup> /stroke)	Air Pressure Range (bar)	Air Consumption (Lpm)	Oil Port Thread	Oil Capacity (L)	Dry Weight (kg)
PAMH1514	S/A	1,500	1:310	1.2	5-7	793	G 1/4"	5.6	25

# DURAPAC PAMH & PEMH | SERIES

WWW.DURAPAC.COM

BOLT TENSIONING POWER UNITS

**E**

**BOLTING SOLUTIONS**

**ELECTRIC MOTOR**

0.5 kW/220 volt 50-60 Hz  
universal motor 6.0 amps

**LIQUID FILLED PRESSURE GAUGE**

range is 0-2,500 bar / 0-35,000 psi

**ADJUSTABLE TORQUE CONTROL**

for accurate torque settings

**PRESSURE RELEASE LEVER**

**OIL OUTLET**

fitted with a 1/4" DBT116M  
quick release nipple

**2.8M REMOTE PENDANT**

through a 24 volt transformer  
for safety. Incorporates  
motor ON/OFF button



**POWER REQUIREMENT**

**Electric 220 Volt 50-60 Hz (two speed pump)**

**AIR REQUIREMENT**

**Air 793 Lpm @ 7 bar (single speed pump)**

**MAXIMUM OPERATING PRESSURE**

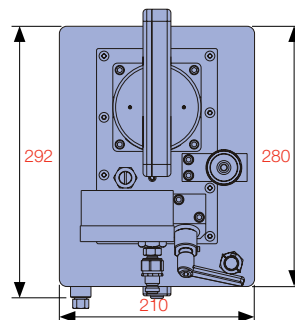
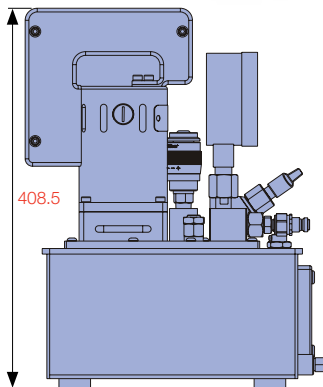
**1,500 bar**

**SIGHT GLASS**

incorporating a  
temperature gauge

**RESERVOIR**

capacity 4L



Model Number	kW	Voltage	Hz	Amps	Usable oil Capacity (L)	Maximum Pressure Rating (bar)	Flow Rate (Lpm)		Remote Pendant Function 2.8 mtr	Weight (kg)
							30 bar	1,500 bar		
PEMH0543	0.50	220	50/60	6	4	1,500	2	0.13	ON/OFF	24

**REVERSIBLE SQUARE DRIVE**

for tightening and loosening applications

**360° SWIVEL COUPLERS**

with screw couplings

**REACTION PAWL DESIGN**

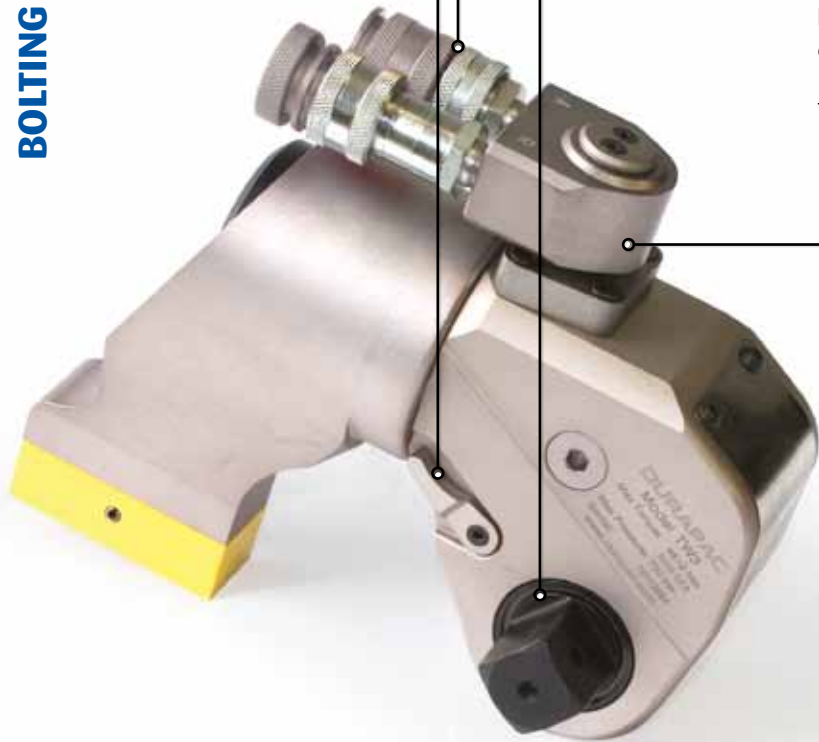
for enhanced efficiency and accuracy



All wrenches supplied with a calibration certificate of accuracy, traceable to international standards. Refer to Calibration & Certification section at the rear of the catalogue.

**THE TW-SERIES SQUARE DRIVE HYDRAULIC TORQUE WRENCHES ARE COMPACT, EASY TO USE AND VERSATILE.**

The titanium-aluminium alloy and super high strength steel alloy construction means increased strength and durability while minimising weight. TW-Series torque wrenches are available in 3/4" to 2 1/2" square drive models, with a torque range from 112 to 72,000 Newton Metres (82 to 53,280 ft/lbs). All models are fitted with a 360° swivel coupler and screw couplings.



**TITANIUM ALUMINIUM ALLOY**

and super high strength steel construction

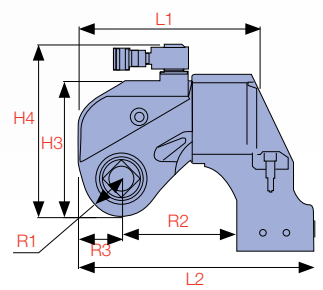
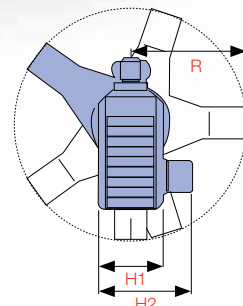
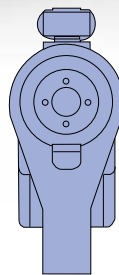
**ACCURACY**

within + / - 3%



**EXTENDED REACTION ARM**

available as an optional extra



Model No.	Square Drive	Range of Torque (Nm) @ 700 bar	Range of Torque (lbf.ft) @ 700 bar	Bolt Size Range (mm)	L1	L2	H1	H2	H3	H4	R	R1	R2	R3	Weight (kg)
TW07	3/4"	112-1,120	82-829	14-30	111	140	42	66	76	109	75	20.5	68.3	25	1.8
TW1	3/4"	183-1,837	135-1,359	16-36	145	174	50	72	96	131	91.5	26.0	85.0	33.5	2.5
TW3	1"	451-4,512	334-3,346	22-48	178	230	68	95	127	176	123.5	34.0	114.0	40.0	5.0
TW5	1-1/2"	752-7,528	557-5,571	27-56	211	271	80	123	149	199	140	39.0	137.0	46.5	8.0
TW8	1-1/2"	1,078-10,780	797-7,977	30-64	222	293	90	134	167	217	165	47.0	153.0	52.0	11.0
TW10	1-1/2"	1,551-15,516	1,148-11,482	36-72	246	318	100	142	182	232	178	51.0	154.0	58.5	15.0
TW20	2-1/2"	2,666-26,664	1,973-19,731	42-90	308	384	120	183	220	270	213	59.0	186.0	71.0	26.5
TW25	2-1/2"	3,472-34,725	2,569-25,697	48-100	323	401	137	200	247	297	228	66.0	199.0	72.5	35.0
TW35	2-1/2"	4,866-48,666	3,601-36,013	64-120	373	466	153	216	282	332	243.5	77.0	241.0	89.5	50.0
TW50	2-1/2"	7,200-72,000	5,328-53,280	72-125	400	516	160	223	291	341	258	81.0	259.0	97.5	87.0

THE **LPC-SERIES** LOW PROFILE HYDRAULIC HEXAGON TORQUE WRENCHES ARE AN ESSENTIAL TOOL FOR LIMITED CLEARANCE APPLICATIONS.

The versatile LPC-Series torque wrenches support an extensive range of interchangeable hexagon ratchet cassettes that deliver a torque range of 232 to 44,593 Newton Metres (172 to 32,999 ft/lbs).



All wrenches supplied with a calibration certificate of accuracy, traceable to international standards. Refer to Calibration & Certification section at the rear of the catalogue.

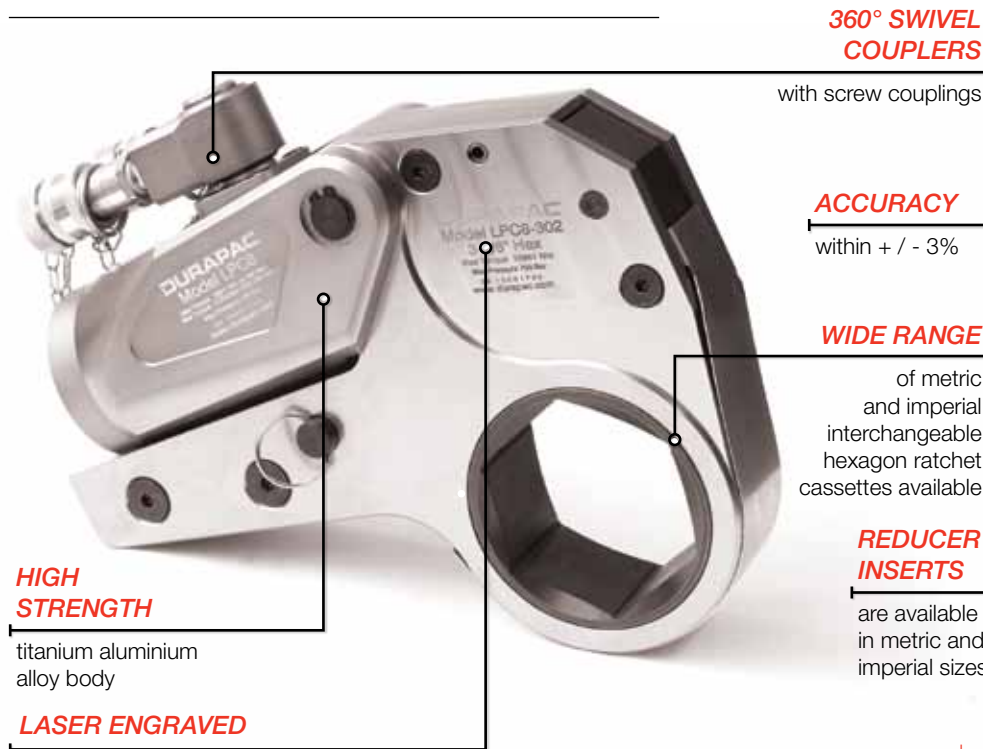


**TW RANGE**  
**112 - 72,000 Nm**

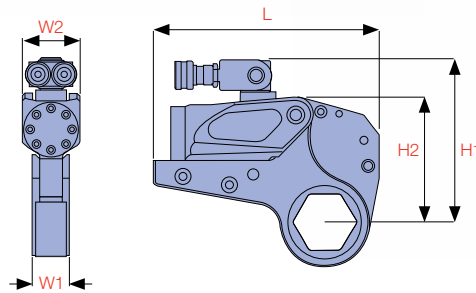
**LPC RANGE**  
**232 - 44,593 Nm**

**MAXIMUM OPERATING PRESSURE**  
**700 bar**

**E**  
**BOLTING SOLUTIONS**



hexagon ratchet cassettes show model number, serial number and maximum capacity

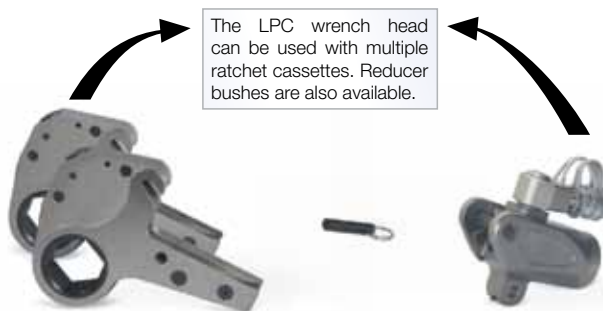
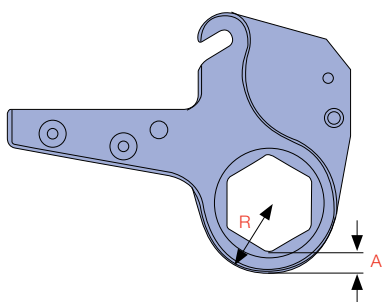


Model No.	Range of Torque (Nm) @ 700 bar	Range of Torque (lbf.ft) @ 700 bar	Hexagon Size Range (mm)	Hexagon A/F Size Range	L (mm)	H1 (mm)	H2 (mm)	W1 (mm)	W2 (mm)	Weight Of Power Head (kg)	* Weight Of Hexagon Cassettes (kg)
<b>LPC2</b>	232-2,328	172-1,723	19-55	3/4" - 2-3/16"	197	126	102	32	51	1.0	1.6
	241-2,414	178-1,786	60	2-3/8"	197	129	105	32	51	1.0	1.7
<b>LPC4</b>	585-5,858	433-4,335	34-65	1-7/16" - 2-9/16"	245	177	136	42	66	2.0	4.4
	647-6,474	479-4,791	70-80	2-3/4" - 3-1/8"	246	187	146	42	66	2.0	4.6
<b>LPC8</b>	1,094-10,941	809-8,096	41-95	1-5/8" - 3-7/8"	300	207	169	53	83	3.3	8.0
	1,177-11,774	871-8,713	100-105	4-1/4"	301	216	178	53	83	3.3	8.4
<b>LPC14</b>	1,852-18,521	1,370-13,706	50-117	2" - 4-5/8"	361	239	204	64	99	5.5	11.6
<b>LPC30</b>	4,188-41,882	3,099-30,993	85-155	3-1/2" - 6-1/8"	430	303	272	85	131	11.4	29.0
	4,459-44,593	3,299-32,999	160-175	6-1/2" - 6-7/8"	441	315	285	85	131	11.4	30.0

\* Weight of hexagon ratchet cassettes will vary by model ordered

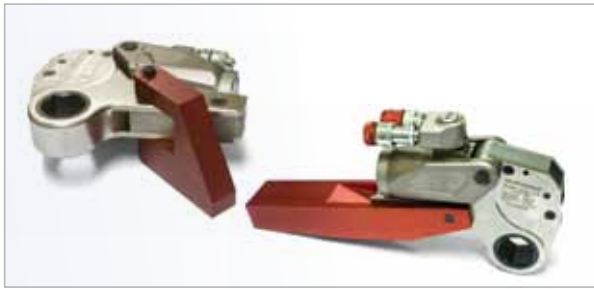
**E**

**BOLTING SOLUTIONS**



**METRIC HEXAGON CASSETTE TABLE**

Bolt Diameter (mm)	A/F Size (mm)	LPC2	R (mm)	A (mm)	Max. Torque (Nm)	LPC4	R (mm)	A (mm)	Max. Torque (Nm)	LPC8	R (mm)	A (mm)	Max. Torque (Nm)	LPC14	R (mm)	A (mm)	Max. Torque (Nm)
12	19	LPC2-19	27	16	1,663												
14	22	LPC2-22	27	14	1,663												
18	27	LPC2-27	27	11	1,929												
20	30	LPC2-30	29	12	2,328												
	32	LPC2-32	29	11	2,328												
22	34	LPC2-34	31	11	2,328	LPC4-34	36	16	2,510								
24	36	LPC2-36	31	10	2,328	LPC4-36	36	15	2,510								
27	41	LPC2-41	34	10	2,328	LPC4-41	39	15	5,021	LPC8-41	46	22	8,128				
30	46	LPC2-46	37	10	2,328	LPC4-46	42	15	5,858	LPC8-46	46	19	10,941				
33	50	LPC2-50	40	11	2,328	LPC4-50	44	15	5,858	LPC8-50	46	17	10,941	LPC14-50	60	31	14,552
36	55	LPC2-55	43	11	2,328	LPC4-55	46	14	5,858	LPC8-55	50	18	10,941	LPC14-55	60	28	18,521
39	60	LPC2-60	46	11	2,414	LPC4-60	50	15	5,858	LPC8-60	52	17	10,941	LPC14-60	60	25	18,521
42	65					LPC4-65	53	15	5,858	LPC8-65	55	17	10,941	LPC14-65	60	22	18,521
45	70					LPC4-70	56	15	6,474	LPC8-70	58	17	10,941	LPC14-70	60	19	18,521
48	75					LPC4-75	59	15	6,474	LPC8-75	60	17	10,941	LPC14-75	63	19	18,521
52	80					LPC4-80	61	15	6,474	LPC8-80	63	16	10,941	LPC14-80	66	19	18,521
56	85									LPC8-85	66	16	10,941	LPC14-85	69	19	18,521
60	90									LPC8-90	69	17	10,941	LPC14-90	72	20	18,521
64	95									LPC8-95	71	16	10,941	LPC14-95	74	19	18,521
68	100									LPC8-100	75	17	11,774	LPC14-100	77	19	18,521
72	105									LPC8-105	78	17	11,774	LPC14-105	80	19	18,521
76	110													LPC14-110	83	19	18,521
80	115													LPC14-115	87	20	18,521
	117													LPC14-117	87	19	18,521
85	120																
	125																
90	130																
95	135																
	140																
100	145																
105	150																
110	155																
	160																
115	165																
120	170																
	175																



### Did you know...

Durapac offer extension reaction arms and low point reaction paddles to suit the LPC2-LPC14 low profile hydraulic hexagon wrenches.



E

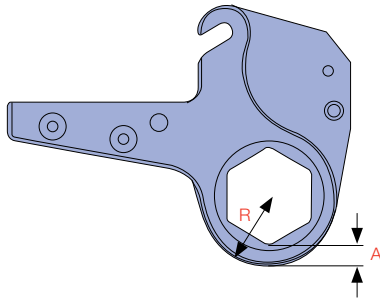
BOLTING SOLUTIONS

### METRIC HEXAGON REDUCER BUSHES TABLE

LPC30	R (mm)	A (mm)	Max. Torque (Nm)	Bolt Diameter (mm)	A/F Size (mm)
				12	19
				14	22
				18	27
				20	30
				32	
				22	34
				24	36
				27	41
				30	46
				33	50
				36	55
				39	60
				42	65
				45	70
				48	75
				52	80
LPC30-85	78	28	41,882	56	85
LPC30-90	78	26	41,882	60	90
LPC30-95	83	28	41,882	64	95
LPC30-100	83	25	41,882	68	100
LPC30-105	89	28	41,882	72	105
LPC30-110	89	25	41,882	76	110
LPC30-115	95	28	41,882	80	115
LPC30-117	95	27	41,882		117
LPC30-120	95	25	41,882	85	120
LPC30-125	101	29	41,882		125
LPC30-130	101	26	41,882	90	130
LPC30-135	104	26	41,882	95	135
LPC30-140	110	29	41,882		140
LPC30-145	110	26	41,882	100	145
LPC30-150	116	29	41,882	105	150
LPC30-155	116	26	41,882	110	155
LPC30-160	128	36	44,593		160
LPC30-165	128	33	44,593	115	165
LPC30-170	128	30	44,593	120	170
LPC30-175	128	27	44,593		175

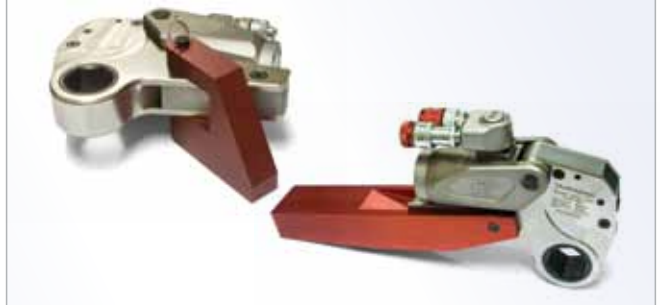
Hexagon Cassette	Reducer Insert			Holding Ring
	Model No.	Model No.	Model No.	Model No.
LPC2-32	MR2-32-27	-	-	MHR2-32
LPC2-36	MR2-36-30	MR2-36-27	-	MHR2-36
LPC2-41	MR2-41-32	MR2-41-30	MR2-41-27	MHR2-41
LPC2-46	MR2-46-36	MR2-46-32	MR2-46-30	MHR2-46
LPC4-36	MR4-36-30	MR4-36-27	-	MHR4-36
LPC4-41	MR4-41-32	MR4-41-30	MR4-41-27	MHR4-41
LPC4-46	MR4-46-36	MR4-46-32	MR4-46-30	MHR4-46
LPC4-50	MR4-50-41	MR4-50-36	MR4-50-32	MHR4-50
LPC4-55	MR4-55-46	MR4-55-41	MR4-55-36	MHR4-55
LPC4-60	MR4-60-50	MR4-60-46	MR4-60-41	MHR4-60
LPC4-65	MR4-65-55	MR4-65-50	MR4-65-46	MHR4-65
LPC8-55	MR8-55-46	MR8-55-41	-	MHR8-55
LPC8-60	MR8-60-50	MR8-60-46	-	MHR8-60
LPC8-65	MR8-65-55	MR8-65-50	MR8-65-46	MHR8-65
LPC8-70	MR8-70-60	MR8-70-55	MR8-70-50	MHR8-70
LPC8-75	MR8-75-65	MR8-75-60	MR8-75-55	MHR8-75
LPC8-80	MR8-80-70	MR8-80-65	MR8-80-60	MHR8-80
LPC8-85	MR8-85-75	MR8-85-70	MR8-85-65	MHR8-85
LPC8-90	MR8-90-80	MR8-90-75	MR8-90-70	MHR8-90
LPC14-75	MR14-75-65	-	-	MHR14-75
LPC14-80	MR14-80-70	MR14-80-65	-	MHR14-80
LPC14-85	MR14-85-75	MR14-85-70	MR14-85-65	MHR14-85
LPC14-90	MR14-90-80	MR14-90-75	MR14-90-70	MHR14-90
LPC14-95	MR14-95-85	MR14-95-80	MR14-95-75	MHR14-95
LPC14-100	MR14-100-90	MR14-100-85	MR14-100-80	MHR14-100
LPC14-105	MR14-105-95	MR14-105-90	MR14-105-85	MHR14-105
LPC14-110	MR14-110-100	MR14-110-95	MR14-110-90	MHR14-110
LPC14-115	MR14-115-105	MR14-115-100	MR14-115-95	MHR14-115
LPC30-90	MR30-90-80	-	-	MHR30-90
LPC30-95	MR30-95-85	MR30-95-80	-	MHR30-95
LPC30-100	MR30-100-90	MR30-100-85	MR30-100-80	MHR30-100
LPC30-105	MR30-105-95	MR30-105-90	MR30-105-85	MHR30-105
LPC30-110	MR30-110-100	MR30-110-95	MR30-110-90	MHR30-110
LPC30-115	MR30-115-105	MR30-115-100	MR30-115-95	MHR30-115
LPC30-120	MR30-120-110	MR30-120-105	MR30-120-100	MHR30-120
LPC30-130	MR30-130-120	MR30-130-115	MR30-130-110	MHR30-130
LPC30-145	MR30-145-130	MR30-145-120	MR30-145-115	MHR30-145
LPC30-155	MR30-155-145	MR30-155-130	MR30-155-120	MHR30-155

Not all imperial reducer bushes are listed, for other sizes contact Durapac



### Did you know...

Durapac offer extension reaction arms and low point reaction paddles to suit the LPC2-LPC14 low profile hydraulic hexagon wrenches.



**Imperial Hexagon Cassette Table**

Bolt Diameter (inch)	A/F Size (inch)		LPC2	R (mm)	A (mm)	Max. Torque (Nm)	LPC4	R (mm)	A (mm)	Max. Torque (Nm)	LPC8	R (mm)	A (mm)	Max. Torque (Nm)	LPC14	R (mm)	A (mm)	Max. Torque (Nm)
1/2	3/4	*	LPC2-012	27	16	1,663												
9/16	7/8	*	LPC2-014	27	14	1,663												
5/8	1-1/16		LPC2-101	27	11	1,929												
3/4	1-1/4	*	LPC2-104	29	12	2,328												
13/16	1-5/16	*	LPC2-105	29	11	2,328												
7/8	1-7/16	*	LPC2-107	31	10	2,328	LPC4-107	36	15	2,510								
1	1-5/8	*	LPC2-110	34	10	2,328	LPC4-110	39	15	5,021	LPC8-110	46	22	8,128				
1-1/16	1-11/16	*	LPC2-111	34	10	2,328	LPC4-111	39	15	5,858	LPC8-111	46	22	10,941				
1-1/8	1-13/16	*	LPC2-113	37	10	2,328	LPC4-113	42	15	5,858	LPC8-113	46	19	10,941				
1-1/4	2	*	LPC2-200	40	11	2,328	LPC4-200	44	15	5,858	LPC8-200	46	17	10,941	LPC14-200	60	31	14,552
1-3/8	2-3/16	*	LPC2-203	43	11	2,328	LPC4-203	46	14	5,858	LPC8-203	50	18	10,941	LPC14-203	60	28	18,521
1-1/2	2-3/8	*	LPC2-206	46	11	2,414	LPC4-206	50	15	5,858	LPC8-206	52	17	10,941	LPC14-206	60	25	18,521
1-5/8	2-9/16	*					LPC4-209	53	15	5,858	LPC8-209	55	17	10,941	LPC14-209	60	22	18,521
1-3/4	2-3/4	*					LPC4-212	56	15	6,474	LPC8-212	58	17	10,941	LPC14-212	60	19	18,521
1-7/8	2-15/16	*					LPC4-215	59	15	6,474	LPC8-215	60	17	10,941	LPC14-215	63	19	18,521
2	3-1/8	*					LPC4-302	61	15	6,474	LPC8-302	63	16	10,941	LPC14-302	66	19	18,521
2-1/4	3-1/2	*									LPC8-308	66	16	10,941	LPC14-308	69	19	18,521
2-1/2	3-7/8	*									LPC8-314	71	16	10,941	LPC14-314	74	19	18,521
2-3/4	4-1/4	*													LPC14-404	80	19	18,521
3	4-5/8	*													LPC14-410	87	20	18,521
3-1/4	5																	
3-1/2	5-3/8																	
3-3/4	5-3/4																	
4	6-1/8																	
4-1/4	6-1/2																	
4-1/2	6-7/8																	

\* Suitable for use on Grade 2H high temperature nuts as used in the Petro-chemical industry



## Imperial Reducer Bush Legend

1st Character = Whole Inches					
2nd & 3rd Characters = Fractional Inches in 1/16" increments					
2nd & 3rd Character	Fraction	Imperial	Code		
00	= 0/16"	Eg. 1"	=	100	
01	= 1/16"	1-1/16"	=	101	
02	= 1/8"	1-1/8"	=	102	
03	= 3/16"	1-3/16"	=	103	
04	= 1/4"	1-1/4"	=	104	
05	= 5/16"	2-5/16"	=	205	
06	= 3/8"	2-3/8"	=	206	
07	= 7/16"	2-7/16"	=	207	
08	= 1/2"	2-1/2"	=	208	
09	= 9/16"	3-9/16"	=	309	
10	= 5/8"	3-5/8"	=	310	
11	= 11/16"	3-11/16"	=	311	
12	= 3/4"	3-3/4"	=	312	
13	= 13/16"	4-13/16"	=	413	
14	= 7/8"	4-7/8"	=	414	
15	= 15/16"	4-15/16"	=	415	



E

BOLTING SOLUTIONS

## Imperial Hexagon Reducer Bushes Table

LPC30	R (mm)	A (mm)	Max. Torque (Nm)	Bolt Diameter (inch)	A/F Size (inch)
				1/2	3/4
				9/16	7/8
				5/8	1-1/16
				3/4	1-1/4
				13/16	1-5/16
				7/8	1-7/16
				1	1-5/8
				1-1/16	1-11/16
				1-1/8	1-13/16
				1-1/4	2
				1-3/8	2-3/16
				1-1/2	2-3/8
				1-5/8	2-9/16
				1-3/4	2-3/4
				1-7/8	2-15/16
				2	3-1/8
LPC30-308	78	28	41,882	2-1/4	3-1/2
LPC30-314	83	28	41,882	2-1/2	3-7/8
LPC30-404	89	28	41,882	2-3/4	4-1/4
LPC30-410	95	28	41,882	3	4-5/8
LPC30-500	101	29	41,882	3-1/4	5
LPC30-506	104	26	41,882	3-1/2	5-3/8
LPC30-512	110	26	41,882	3-3/4	5-3/4
LPC30-602	116	26	41,882	4	6-1/8
LPC30-608	128	33	44,593	4-1/4	6-1/2
LPC30-614	128	27	44,593	4-1/2	6-7/8

Hexagon Cassette	Reducer Insert			Holding Ring
	Model	Model	Model	Model
LPC2-105	IR2-105-101	-	-	IHR2-105
LPC2-107	IR2-107-104	IR2-107-101	-	IHR2-107
LPC2-111	IR2-111-103	IR2-111-105	IR2-111-101	IHR2-111
LPC2-113	IR2-113-107	IR2-113-105	IR2-113-104	IHR2-113
LPC4-107	IR4-107-104	IR4-107-101	-	IHR4-107
LPC4-110	IR4-110-105	IR4-110-104	IR4-110-101	IHR4-110
LPC4-113	IR4-113-107	IR4-113-105	IR4-113-104	IHR4-113
LPC4-200	IR4-200-110	IR4-200-107	IR4-200-105	IHR4-200
LPC4-203	IR4-203-113	IR4-203-110	IR4-203-107	IHR4-203
LPC4-206	IR4-206-200	IR4-206-113	IR4-206-110	IHR4-206
LPC4-209	IR4-209-203	IR4-209-200	IR4-209-113	IHR4-209
LPC8-203	IR8-203-113	IR8-203-110	-	IHR8-203
LPC8-206	IR8-206-200	IR8-206-113	-	IHR8-206
LPC8-209	IR8-209-203	IR8-209-200	IR8-209-113	IHR8-209
LPC8-212	IR8-212-206	IR8-212-203	IR8-212-200	IHR8-212
LPC8-215	IR8-215-209	IR8-215-206	IR8-215-203	IHR8-215
LPC8-302	IR8-302-212	IR8-302-209	IR8-302-206	IHR8-302
LPC8-308	IR8-308-215	IR8-308-215	IR8-308-209	IHR8-308
LPC14-215	IR14-215-209	-	-	IHR14-215
LPC14-302	IR14-302-212	IR14-302-209	-	IHR14-302
LPC14-308	IR14-308-215	IR14-308-212	IR14-308-209	IHR14-308
LPC14-314	IR14-314-302	IR14-314-215	IR14-314-212	IHR14-314
LPC14-404	IR14-404-304	IR14-404-302	IR14-404-215	IHR14-404
LPC14-410	IR14-410-404	IR14-410-304	IR14-410-302	IHR14-410
LPC30-314	IR30-314-304	-	-	IHR30-314
LPC30-404	IR30-404-314	IR30-404-304	-	IHR30-404
LPC30-410	IR30-410-404	IR30-410-314	IR30-410-304	IHR30-410
LPC30-500	IR30-500-410	IR30-500-404	IR30-500-314	IHR30-500
LPC30-506	IR30-506-500	IR30-506-410	IR30-506-404	IHR30-506
LPC30-512	IR30-512-506	IR30-512-500	IR30-512-410	IHR30-512
LPC30-602	IR30-602-512	IR30-602-506	IR30-602-500	IHR30-602

THE **PET & PAT-SERIES** TORQUE WRENCH POWER UNITS ARE PERFECTLY DESIGNED FOR OPERATING THE TW AND LPC -SERIES HYDRAULIC TORQUE WRENCHES.

They have a three stage pump for faster operation under load and incorporate a hydraulic oil cooler providing cool operation under continuous use. A 6 metre remote hand pendant is standard and one or two tools can be operated at one time due to the multi outlet pump block.



**ROLL CAGE**

for portability and protection

**LIQUID FILLED PRESSURE GAUGE**

has 1% accuracy and can be recalibrated. Scale is mpa/psi

**ELECTRIC MOTOR**

1.1 kW/240 Volt 50Hz induction motor 7.2 amp

**OIL COOLER**

electric fan operated for continuous duty operation

**3 STAGE PUMP**

for increased speed under load

**MULTIPLE TOOL OUTLETS**

for operating one or two tools simultaneously

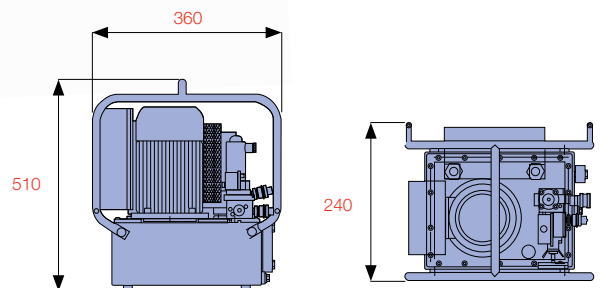
**ADJUSTABLE TORQUE CONTROL**

for accurate torque settings

**6M REMOTE PENDANT**

through a 24 Volt transformer for safety. Incorporates motor ON/OFF button and ADV/AUTO RETRACT button

PET-1114



Model No.	Pressure Rating (bar)	Motor	Flow (Lpm)			Oil Capacity (L)	Dry Weight (kg)
			1st Stage 0-70 bar	2nd Stage 70-300 bar	3rd Stage 300-700 bar		
PET-1114	700	240 Volt / 50Hz	8	1.8	0.8	7.4	31
PAT-1114	700	1.1 kW Air	7	1.6	0.8	7.4	27

### LIQUID FILLED PRESSURE GAUGE

has 1% accuracy and can be recalibrated. Scale is mpa/psi

### AIR MOTOR

1.1 kW Ingersoll Rand®

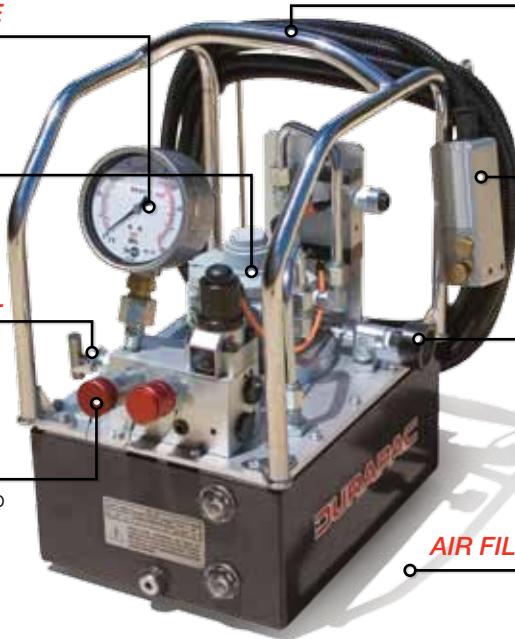
### ADJUSTABLE TORQUE CONTROL

for accurate torque settings

### MULTIPLE TOOL OUTLETS

for operating one or two tools simultaneously

PAT-1114



### ROLL CAGE

for portability and protection

### 6M REMOTE PENDANT

incorporates motor ON/OFF button and ADV/AUTO RETRACT button

### OIL COOLER

keeps oil cool during heavy duty operation

### 3 STAGE PUMP

for increased speed under load

### AIR FILTER/LUBRICATOR

for efficient operation



#### POWER REQUIREMENT

Electric 240 Volt 50 Hz  
Air 1,400 Lpm @ 6.2 bar

#### FLOW

3 stage

#### MAXIMUM OPERATING PRESSURE

700 bar

E

BOLTING SOLUTIONS

## Torque Wrench Hoses

Model No.	Length (m)	Description
TWH-04	4	Twin hose set to suit torque wrenches complete with male and female screw couplers at both ends. 700 bar working pressure. 2,800 bar min. burst.
TWH-06	6	
TWH-10	10	
TWH-15	15	



## Did you know...

The **PET & PAT** hydraulic torque wrench power units are supplied with an oil cooler to allow continuous operation of hydraulic torque wrenches.



## Torque Wrench Couplings

Model No.	Thread	Description	Suits Tool Model No.
CH-2	1/8"-NPT Male	Male half screw coupling complete with metal dust cap*	TW07, TW1, LPC2
CR-2	1/8"-NPT Male	Female half screw coupling complete with metal dust cap*	TW07, TW1, LPC2
CS-2	1/8"-NPT Male	Coupling set with metal dust caps* includes CH-2 and CR-2	TW07, TW1, LPC2
CH-4	1/4"-NPT Female	Male half screw coupling complete with metal dust cap*	TW3 THROUGH TW50 LPC4 THROUGH LPC30
CR-4	1/4"-NPT Male	Female half screw coupling complete with metal dust cap*	TW3 THROUGH TW50 LPC4 THROUGH LPC30
CS-4		Coupling set with metal dust caps* includes CH-4 and CR-4	TW3 THROUGH TW50 LPC4 THROUGH LPC30

Snap couplings available. Consult Durapac for further information.

\* Dust cap/s not shown





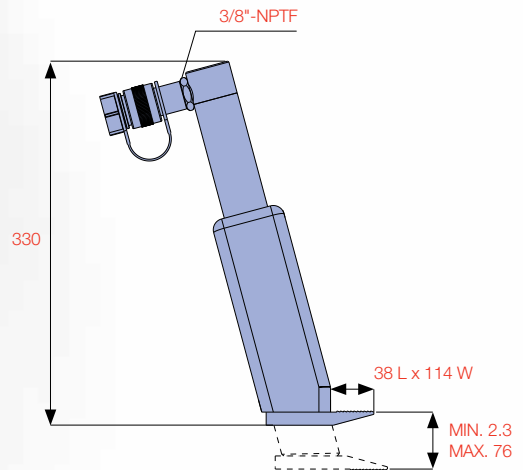
DHS-5

**DHS-5 ADVANTAGES**

- 5 ton spreading force
- 2.3-76 mm spreading capability
- jaws open parallel
- will not drift away or creep down
- all metal construction

THE **DHS-SERIES** OF REMOTE HYDRAULIC SPREADERS ARE IDEALLY SUITED TO SPREADING, LIFTING AND LEVELLING WORKS.

The DHS-5 model is designed for flange spreading operations. All models feature high strength steel construction and spring return cylinder.

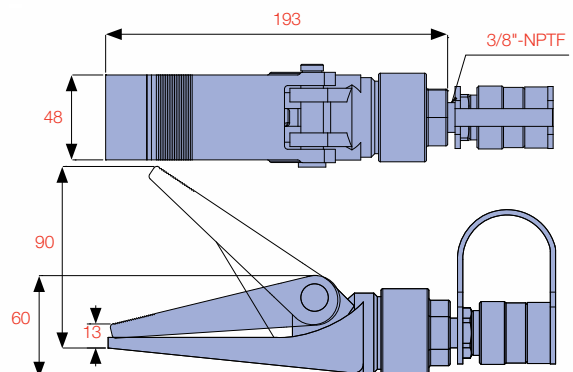


**DHS-05 ADVANTAGES**

- 1/2 ton spreading force
- 13-90 mm spreading capability
- economy model



DHS-05



Model Number	Capacity (ton)	Oil Capacity (cc)	Tip Clearance Min. (mm)	Spread Max. (mm)	Weight (kg)
DHS-05	0.5	9.5	13.0	90	1.9
DHS-1	1.0	14.0	12.0	99	2.2
DHS-5	5.0	82.0	2.3	76	6.2
DHS-15	15.0	26.0	5.0	15	3.5

### DHS-15 ADVANTAGES

- designed for rugged operating applications
- 15 ton spreading force
- 5-15 mm spreading capability
- serrated jaws for grip

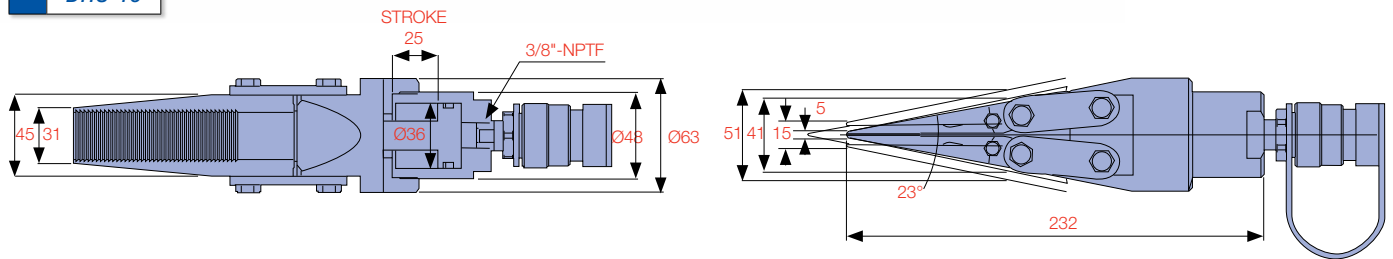


CAPACITY  
**0.5 - 15 ton**

SPREAD  
**2.3 - 99 mm**

MAXIMUM OPERATING PRESSURE  
**700 bar**

DHS-15

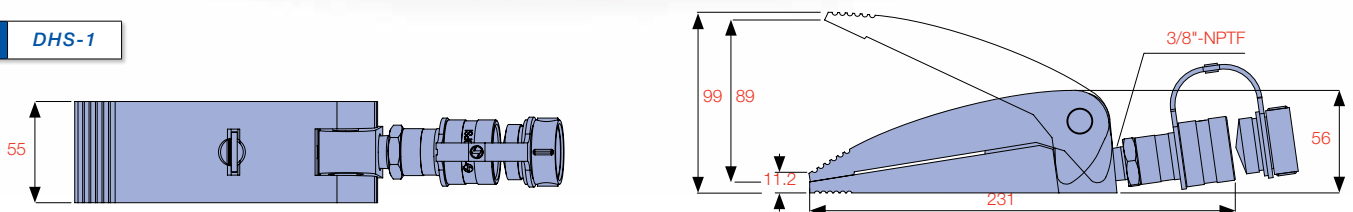


### DHS-1 ADVANTAGES

- 1 ton spreading force
- 12-99 mm spreading capability
- general purpose spreader for many industrial applications

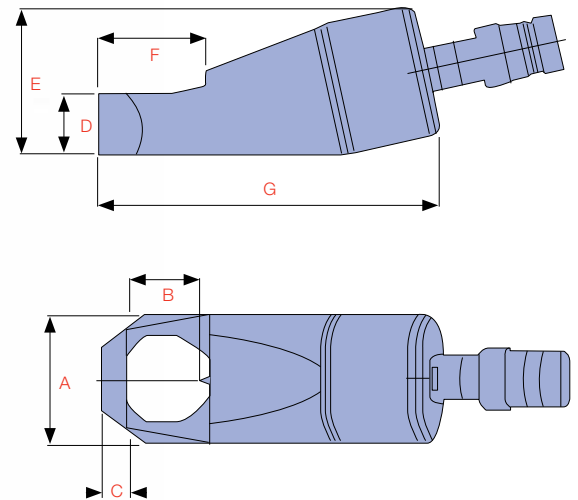


DHS-1

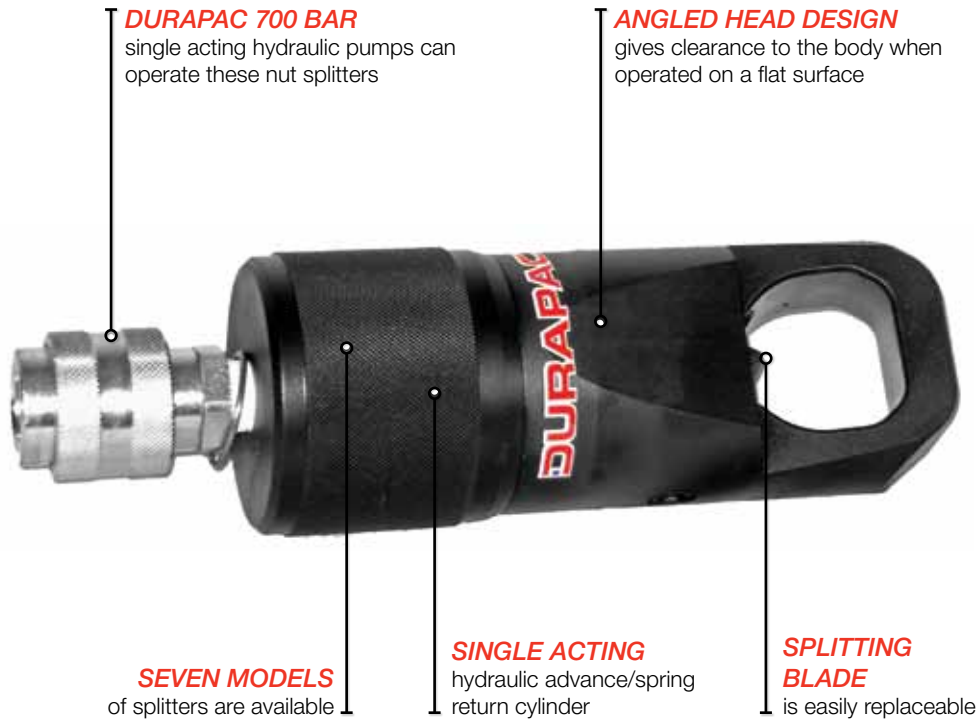


THE **DNS-SERIES** OF NUT SPLITTERS CONSISTS OF SEVEN MODELS FOR HANDLING DIFFICULT TO REMOVE NUTS RANGING FROM 10 - 75 MM A/F CAPACITY.

They are a proven performer in the railway, pipelines, petro-chemical, heavy vehicles, mining, steel and industrial applications. DNS-Series Nut Splitters use a single acting hydraulic-advance/spring return cylinder offering between 5 - 90 ton of force. All models can be driven by a 700 bar lightweight single acting hand pump or power unit. The unique angled-head design gives clearance to the body when operating on a flat surface. They are a compact design capable of splitting nuts up to hardness HRc 44 and are also suitable for use on Grade 2H high temperature nuts as used in the petrochemical industry. Each tool is supplied in a heavy duty moulded plastic storage case except DNS-6075 which comes with a wooden case.



Model No.	Bolt Range	Hex Nut Range (mm)	Capacity (ton)	Oil Capacity (cm <sup>3</sup> )	Dimensions (mm)			Weight (kg)	Spare Blade Model Number
					Length	Width	Height		
DNS-1319	M6-M12	10-19	5	13	170	40	48	1.2	DNS-1319-4
DNS-1924	M12-M16	19-24	10	21	191	54	62	2.0	DNS-1924-4
DNS-2432	M16-M22	24-32	15	58	222	64	72	3.0	DNS-2432-4
DNS-3241	M22-M27	32-41	20	88	244	75	88	4.4	DNS-3241-4
DNS-4150	M27-M33	41-50	35	153	288	94	105	8.5	DNS-4150-4
DNS-5060	M33-M39	50-60	50	233	318	106	128	11.8	DNS-5060-4
DNS-6075	M39-M48	60-75	90	492	393	156	181	34.1	DNS-6075-4



**BOLT RANGE**  
**M6 - M48**

**HEX NUT RANGE**  
**10 - 75 mm**

**MAXIMUM NUT HARDNESS**  
**HRC-44**  
*Suitable for Grade 2H high temperature nuts for use in the petrochemical industry*

**MAXIMUM OPERATING PRESSURE**  
**700 bar**

**E**  
**BOLTING SOLUTIONS**



### Did you know...

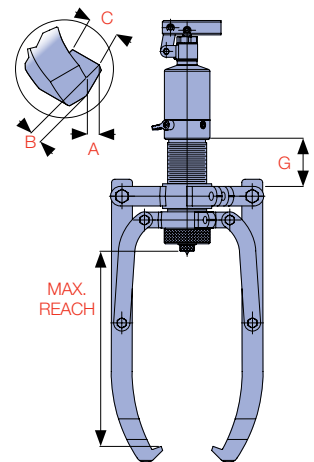
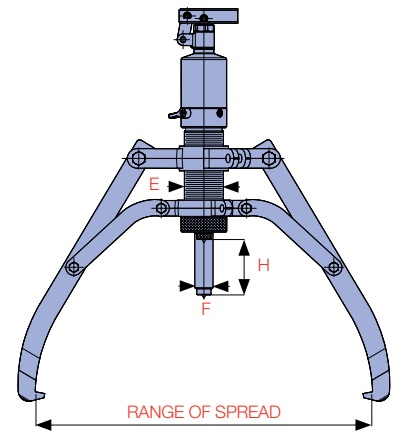
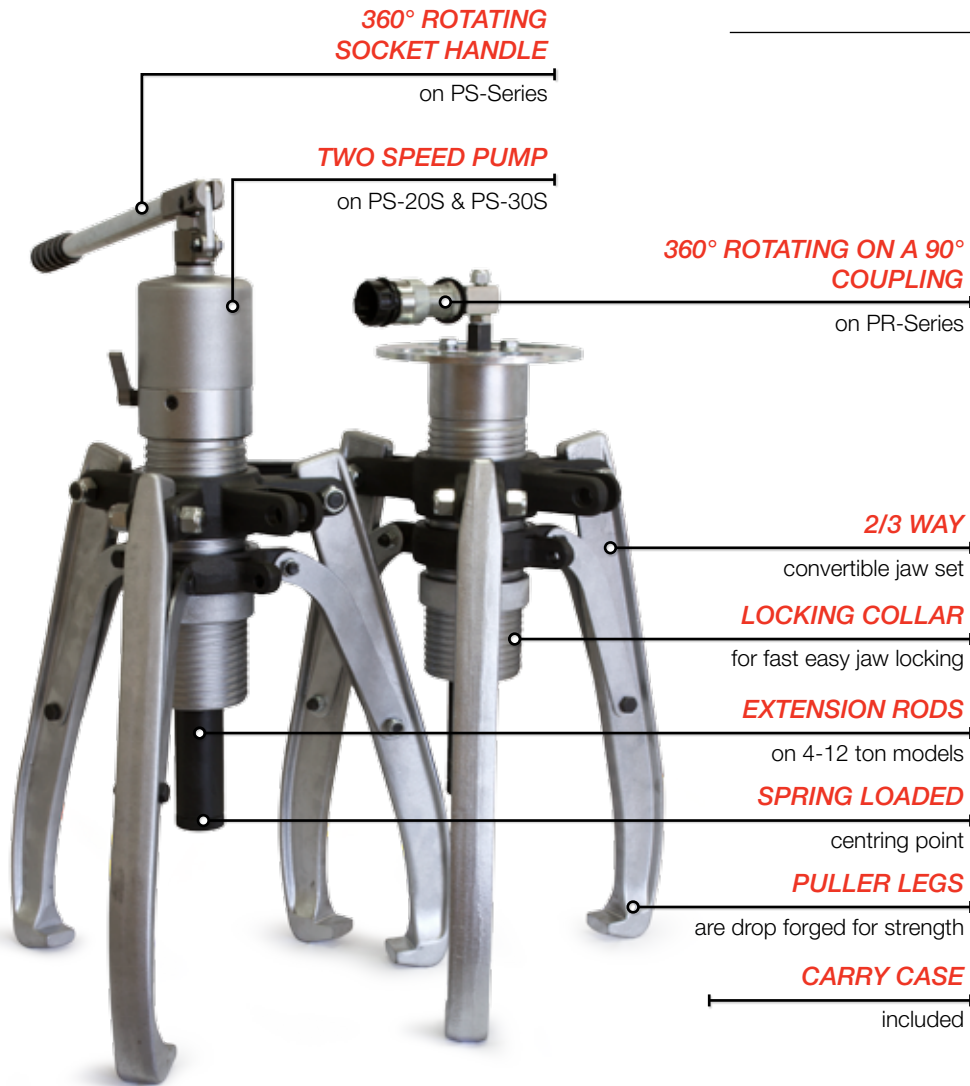
Durapac offers a range of lightweight portable hand pump options to suit the DNS-Series nut splitters. Spare chisel and storage case included with each tool.



Model No.	Dimensions (mm)						
	A	B	C	D	E	F	G
DNS-1319	39.8	20.9	7.0	19.0	49.7	29.0	120.0
DNS-1924	53.8	25.3	10.0	25.0	62.2	40.0	146.0
DNS-2432	64.0	33.6	13.0	30.0	76.5	51.8	181.0
DNS-3241	77.0	42.7	16.0	36.0	87.3	64.9	205.0
DNS-4150	94.0	53.8	21.1	44.7	108.0	76.0	244.0
DNS-5060	106.0	60.8	24.3	54.3	125.3	92.0	289.0
DNS-6075	156.2	80.4	27.0	75.0	184.0	110.0	365.0

THE **PR & PS-SERIES** PULLERS ARE A CONVERTIBLE 2 OR 3 WAY UNIT FOR A ONE PERSON OPERATION.

Available in remote and self-contained versions from 4-30 ton capacity. The PS-Series 3 in 1 puller is a double acting unit designed for pushing, outer pulling and inner pulling.



Model No.	Puller Type	Capacity (ton)	Max. Reach (mm)	Range of Spread (mm)	Extension Rods	Jaw Tip (mm)			Hydraulic Cylinder (mm)			Stroke (mm)	Weight (kg)
					58 mm - Qty	A	B	C	E	F	G	H	
PS-04S	Self-contained	4	190	67.5 - 325	2	13	10	22	42	22	40	60	8
PR-04	Remote		190	67.5 - 325	2	13	10	22	42	22	40	60	6
PS-08S	Self-contained	8	280	107.0 - 450	3	13	13	27.5	50	25	70	85	12
PR-08	Remote		280	107.0 - 450	3	13	13	27.5	50	25	70	85	9
PS-12S	Self-contained	12	305	94.5 - 485	4	15	16.5	29	60	28	70	85	15
PR-12	Remote		305	94.5 - 485	4	15	16.5	29	60	28	70	85	12
PS-20S	Self-contained	20	365	128.4 - 570	-	20	27	33	80	40	62	111	26
PR-20	Remote		365	128.4 - 570	-	20	27	33	80	40	62	111	24
PS-30S	Self-contained	30	465	128.5 - 680	-	20	27	38	98	50	85	111	36
PR-30	Remote		465	128.5 - 680	-	20	27	38	98	50	85	111	34



**SELF-CONTAINED  
HAND PUMP**

rotates 360°

**DOUBLE ACTING  
CYLINDER**

allows for pushing/outer  
pulling and inner pulling

**VARIABLE  
HEIGHT**

extension legs

**3 JAW STRUCTURE**

provides even force

**STEEL CARRY CASE**

included

**INTERNAL PULLER**

allows removal of oil seals,  
bushings and bearings



CAPACITY

**4 - 30 ton**

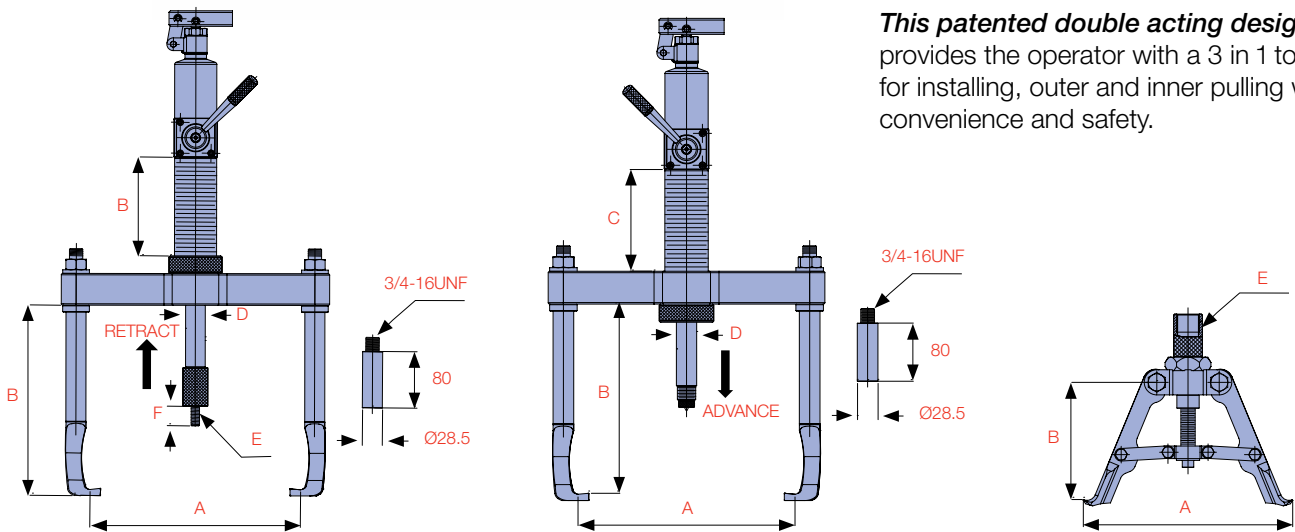
MAXIMUM OPERATING  
PRESSURE

**700 bar**

**F**

**HYDRAULIC TOOLS**

*This patented double acting design provides the operator with a 3 in 1 tool for installing, outer and inner pulling with convenience and safety.*



**FOR OUTER PULLING**



**FOR OUTER/INNER INSTALLING**



**INNER PULLING ATTACHMENT**

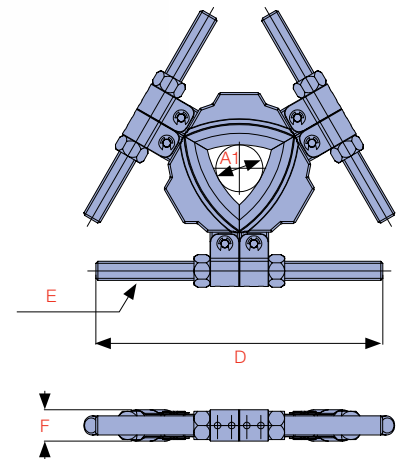
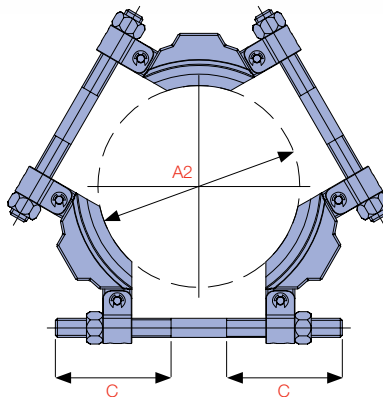
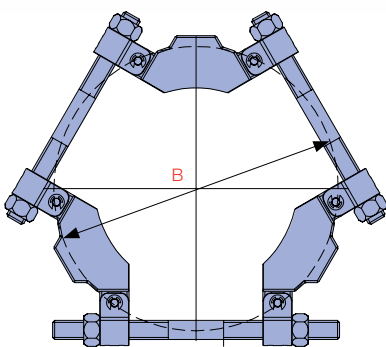
Model No.	Puller Type	Capacity (ton)	A (mm)	B (mm)	C (mm)	D (mm)	E	F (mm)	Weight (kg)
PS-1208D	Installing	8	44-280	270 + 80	140	28	M12 x 1.75	30	19.5
	Outer Pulling	12	85-300	260 + 80	140	28	-	-	
	Inner Pulling	8	110-210	130 - 150	-	-	1"-12UNF	-	

THE **ET-SERIES** TRI-SECTIONAL PLATES ARE SPECIALLY DESIGNED FOR USE WITH THE PR & PS-SERIES PULLERS.

The unique and patented swing design creates the maximum spread and provides the most even force. The plates grip behind the inner and outer rings of the bearing together which prevents the pulling force from being transmitted through the rolling parts, minimising the risk of bearing damage.



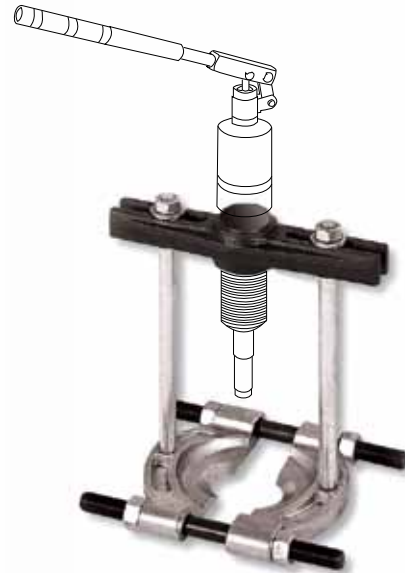
Swivel point allows wide spread



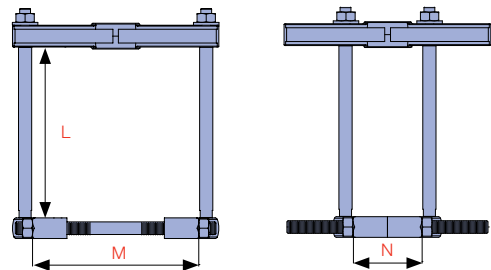
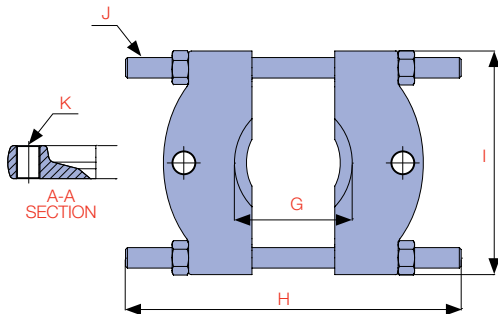
Model No.	Rated Capacity (ton)	Shaft Diameter		B Max. Spread (mm)	C (mm)	D (mm)	E	F (mm)	Weight (kg)
		A1 (Min.)	A2 (Max.)						
ET3-210	8	50	210	280	117	285	7/8"-14UNF	31	5.5
ET3-340	20	90	340	460	175	460	1 1/4"-12UNF	47	18
ET3-495	30	140	495	660	235	660	1 3/4"-12UNF	63	45

THE **BS-SERIES** CROSS BEARING ATTACHMENTS PROVIDE A KNIFE-LIKE EDGE TO GET BEHIND PARTS FOR ADDED VERSATILITY AND SECURE REMOVAL OF PARTS.

Great for parts that do not offer adequate grip with jaw type pullers. All bearing/pulley attachments include the bearing attachment, a pair of sized thread-in legs and a sliding cross head. Simply add the hydraulic cylinder from your PR/PS-Series puller set.



BEARING/PULLEY ATTACHMENT SET



Model No.	G (Min./Max.)	H (mm)	I (mm)	J	K	Weight (kg)
BS-5-60	5-60	125	70	3/8"-24UNF	3/8"-16UNC	0.6
BS-15-60	15-60	135	127	1/2"-20UNF	3/8"-16UNC	1.4
BS-12-70	12-70	163	156	5/8"-18UNF	1/2"-12UNC	2.5
BS-28-150	28-150	260	204	3/4"-16UNF	5/8"-11UNC	5.5
BS-20-200	20-200	350	288	1"-14UN	3/4"-10UNC	8.5

*Model No.	Capacity (ton)	Reach L (mm)	Spread		Weight (kg)	Inc. Bearing Attachment
			M (mm)	N (mm)		
BS-04250	4	250	110	55	6.5	BS-12-70
BS-08270	8	270	220	95	9.5	BS-28-150
BS-12380	12	380	290	225	13	BS-20-200

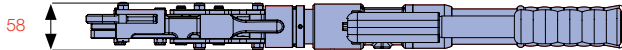
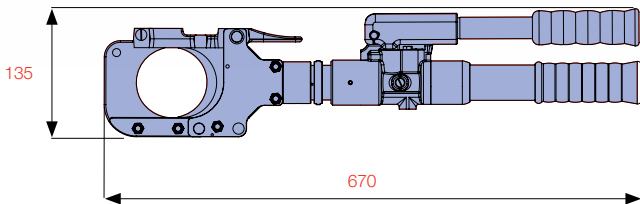
\* Excludes cylinder pump

F

HYDRAULIC TOOLS



HC-85S

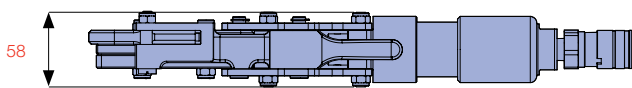
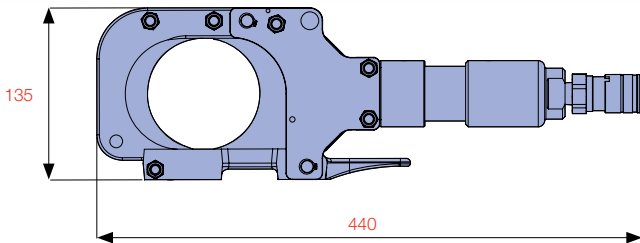


THE **HC-SERIES** OF REMOTE AND SELF-CONTAINED HYDRAULIC CUTTERS CONSISTS OF SIX MODELS WITH A CUTTING CAPACITY UP TO 120 MM DIAMETER.

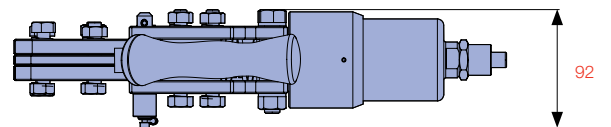
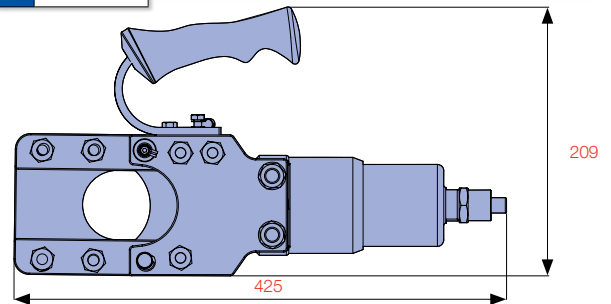
They cut with ease through cable, round bar, wire rope, wire strand and more. They are a proven performer in the electrical, railway, mining, manufacturing and construction industries. The HC Series Cutters feature superior guillotine-type cutting, flip-top latch for easy insertion of cutting material and blades that are easily replaceable. The two larger self-contained models incorporate a two stage pump. All models are spring return and the self-contained models have a 180° rotating head. The remote models can be operated by a 700 bar single acting hydraulic pump or power unit. They are compact, lightweight, easy to use and are supplied in a heavy duty canvas carry bag.



HC-85R



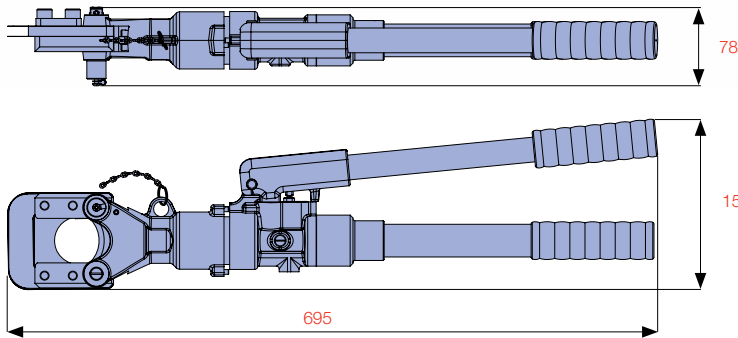
HC-55R



Model No.	Operation	Wire Rope			Soft Steel Bar (mm)	Reinforcing Rod (mm)	Copper Cable (mm)	Aluminium Cable (mm)	ACSR (mm)
		6x7 (mm)	6x12 (mm)	6x19 (mm)					
HC-24S	Self-contained	18	24	24	20	16	24	24	24
HC-45S	Self-contained	22	25	25	20	16	45	45	45
HC-55R	Remote	25	30	30	22	19	50	50	50
HC-85R	Remote	-	-	-	-	-	85	85	-
HC-85S	Self-contained	-	-	-	-	-	85	85	-
HC-120R	Remote	-	-	-	-	-	120	120	-



HC-45S



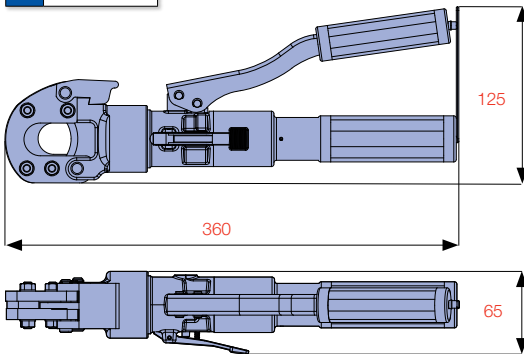
CUTTING CAPACITY UP TO  
**120 mm diam.**

OPERATION  
**Remote & Self-Contained**

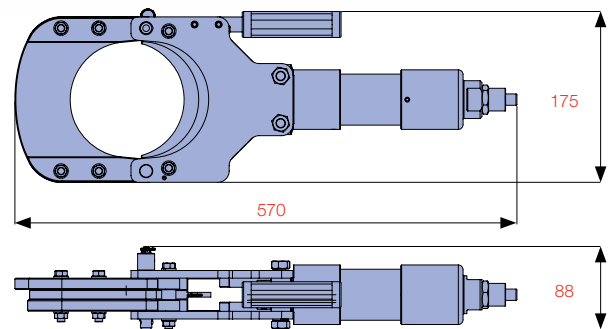
MAXIMUM OPERATING PRESSURE  
**700 bar**



HC-24S



HC-120R



Guy Wire		CCP Cable (mm)	Max. Pressure (bar)	Oil Required (cc)	Max. Output (ton)	Cylinder Stroke (mm)	Weight (kg)
1x7 (mm)	1x19 (mm)						
16	16	-	700	56	6.7	28.0	4.0
16	20	-	700	145	10.0	50.0	7.0
16	20	-	700	106	14.9	55.6	9.0
-	-	85	700	73	5.6	90.8	5.1
-	-	85	700	168	5.6	90.8	9.0
-	-	120	700	193	10.6	129.6	10.0









F

HYDRAULIC TOOLS



**THE CRK-SERIES MAINTENANCE AND REPAIR KITS ARE AN INDISPENSABLE HYDRAULICALLY POWERED TOOL SET.**

They can be used for pressing, spreading, lifting, straightening and clamping in workshops and collision repair centres. Most components are threaded for durability and the extension tubes feature a heavy wall for increased resistance to bending and deformation. All kits are supplied with industry standard high flow hydraulic couplings and dust caps.

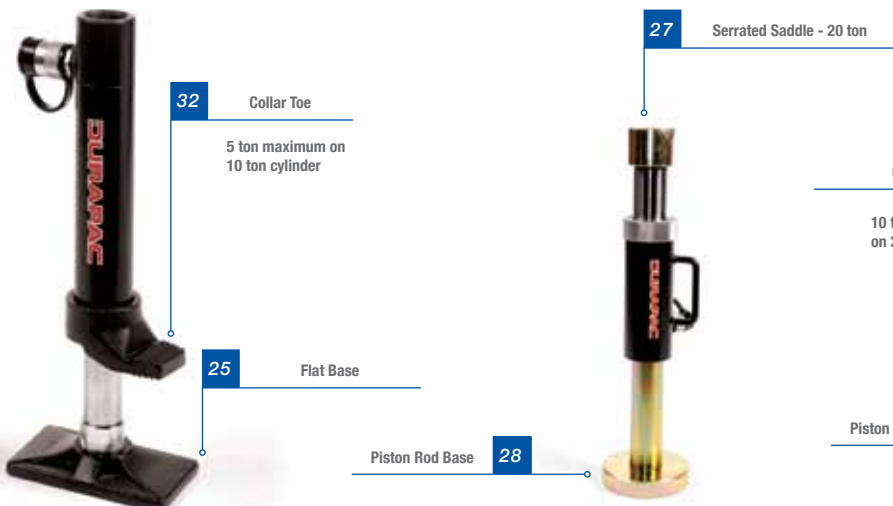
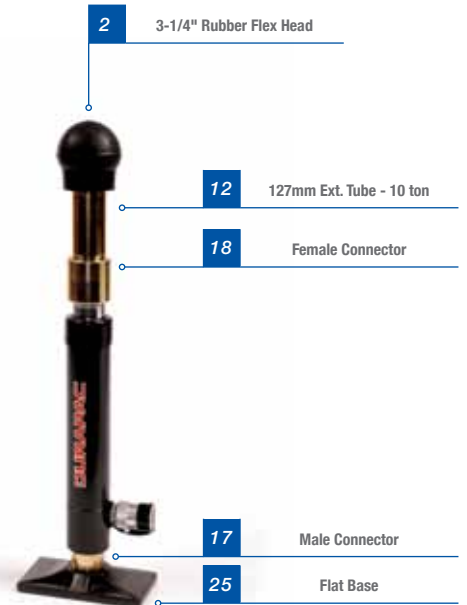
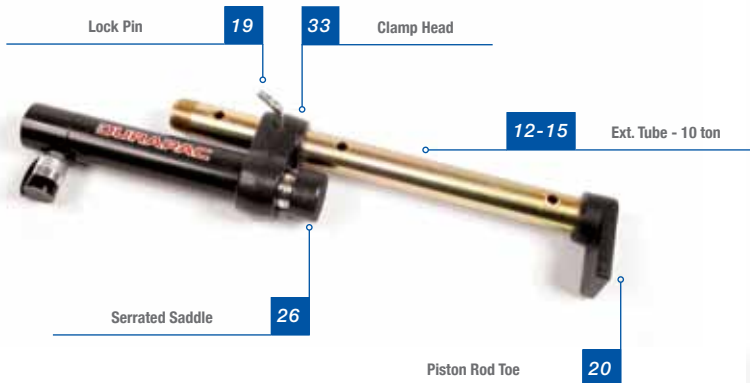
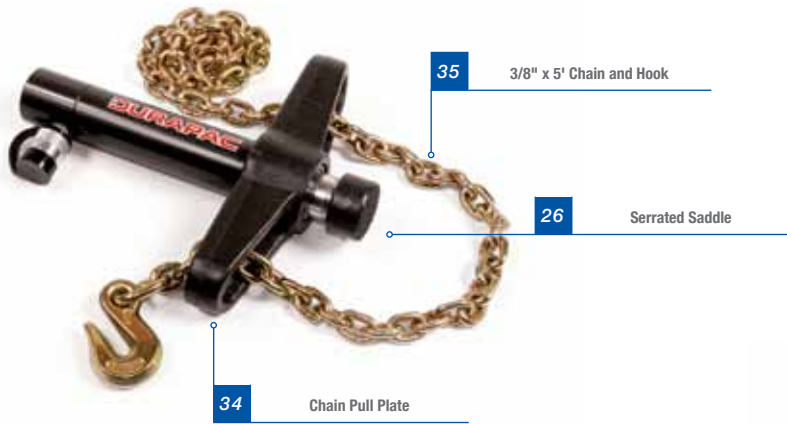
PART DESCRIPTION	Maintenance & Repair Kit Model		
	CRK-10	CRK-10D	CRK-20D
	10 ton	10 ton	20 ton
 2-SPEED 700 BAR PUMP	P-260	P-260	P-270
 1.5 MTR HOSE & COUPLER	✓	✓	✓
 10 TON CYLINDER 150 MM STROKE	RC-106T	RC-106T	
 20 TON CYLINDER 127 MM STROKE			RC-205T
 1/2 TON SPREADER	DHS-05	DHS-05	
 5 TON 154 MM PULL CYLINDER		RP-56	
 GAUGE ADAPTOR	✓	✓	✓
 LIQUID FILLED FORCE GAUGE	✓	✓	✓

## APPLICATION EXAMPLES



### WARNING

When cylinders are used with maintenance set attachments or components, the maximum system pressure must generally be limited to half the rated pressure (350 bar).



CAPACITY

**10 & 20 ton**

MAXIMUM OPERATING PRESSURE

**700 bar**

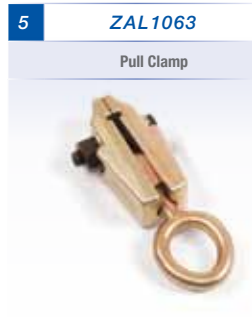
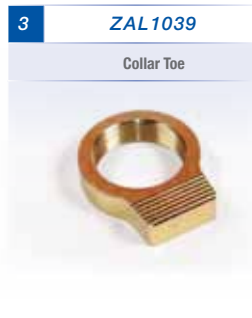
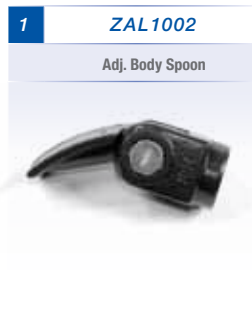
F

HYDRAULIC TOOLS

F

HYDRAULIC TOOLS

	DESCRIPTION	STANDARD CRK-10	DELUXE CRK-10D	STANDARD CRK-20D
1	Adj. Body Spoon		ZAL1002	
2	3-1/4" Rubber Flex Head	ZAL1003	ZAL1003	
3	Collar Toe			ZAL1039
4	Pull Ring x 2		ZAL1040	
5	Pull Clamp x 2		ZAL1063	
6	Box Clamp x 2		ZAL1064	
7	Female Connector x 3			ZAL1068
8	127 mm Ext. Tube			ZAL1069
9	254 mm Ext. Tube			ZAL1070
10	508 mm Ext. Tube			ZAL1071
11	699 mm Ext. Tube			ZAL1072
12	127 mm Ext. Tube	ZAL1076	ZAL1076	
13	254 mm Ext. Tube	ZAL1077	ZAL1077	
14	508 mm Ext. Tube	ZAL1078	ZAL1078	
15	635 mm Ext. Tube	ZAL1079	ZAL1079	
16	Male Connector x 3			ZAL1073
17	Male Connector x 2	ZAL1074	ZAL1074	
18	Female Connector x 2	ZAL1075	ZAL1075	
19	Lock Pin x 1 ( x 2 for CRK10D )	ZAL1101	ZAL1101	ZAL1101
20	Piston Rod Toe	ZAL1177	ZAL1177	
21	Spreader Toe		ZAL1178	
22	90° V Base	ZAL1179	ZAL1179	
23	Wedge Head	ZAL1180	ZAL1180	
24	Wedge Head			ZAL1100
25	Flat Base	ZAL1181	ZAL1181	
26	Serrated Saddle	ZAL1182	ZAL1182	
27	Serrated Saddle			ZAL1097
28	Piston Rod Base x 2			ZAL1098
29	Vee Head			ZAL1099
30	Offset Pull Toe x 2		ZAL1183	
31	Clamp End Toe		ZAL1184	
32	Collar Toe	ZAL1186	ZAL1186	
33	Clamp Head		ZAL1189	
34	Chain Pull Plate		ZAL1190	
35	3/8" x 5' Chain & Hook x 2		ZAL1386	
36	3-Shelf Service Cart		ZAL1009	ZAL1009
37	Metal Box	ZAL1405		
	<b>Weight</b>	<b>39.5 kg</b>	<b>81.5 kg</b>	<b>76.5 kg</b>



## WARNING

When cylinders are used with maintenance set attachments or components, the maximum system pressure must generally be limited to half the rated pressure (350 bar).





\*NOT INCLUDED IN KITS

G

PRESSES

**FORCE GAUGE IN TONS**

with 3 colour scale

**ROLLING HEAD**

design allows movement and locking of the cylinder from side to side

THE **HP-35A** H-FRAME PRESS IS AN INDUSTRIAL DUTY UNIT IDEALLY SUITED TO PRESSING, FORMING AND BENDING JOBS IN ANY WORKSHOP.

It features an air driven and manual pump, movable work head, force gauge and v-blocks.

**SPRING RETURN CYLINDER**

with two heavy duty return springs

**AIR DRIVEN AND MANUAL PUMP**

are both incorporated in the press

**HAND WHEEL**

and threaded cylinder allows for rapid adjustment of cylinder extension

**V BLOCKS**

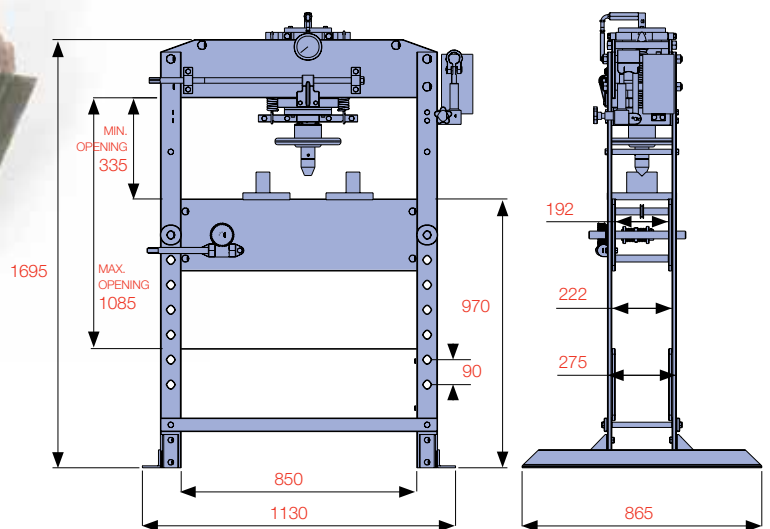
included in standard supply

**TABLE HEIGHT ADJUSTMENT**

by mechanical screw and gear

**STEEL CONSTRUCTION**

for maximum strength



Model Number	Capacity (ton)	Pump Type	Pressure Rating (bar)	Air Pressure Range (bar)	Output Flow Rate (cc / min)	Net Weight (kg)
HP-10	10	Manual	700	N/A	N/A	53
HP-35A	35	Air and Manual	360	7-10	750	222

THE **HP-10** BENCH PRESS IS IDEAL FOR WORKSHOP PRESSING JOBS SUCH AS THE INSTALLATION OR REMOVAL OF BEARINGS AND GEARS, REPAIR OF ELECTRIC MOTORS OR OTHER PRESS FIT PARTS.

This unit includes a two speed hydraulic hand pump with force gauge, hose and 10 ton 152 mm stroke spring return cylinder.

### 10 TON HYDRAULIC CYLINDER

with 152 mm stroke. Longer stroke cylinders available upon request

### PRESS PLATE SET

and bushing allows for greater pressing flexibility

### STEEL FRAME

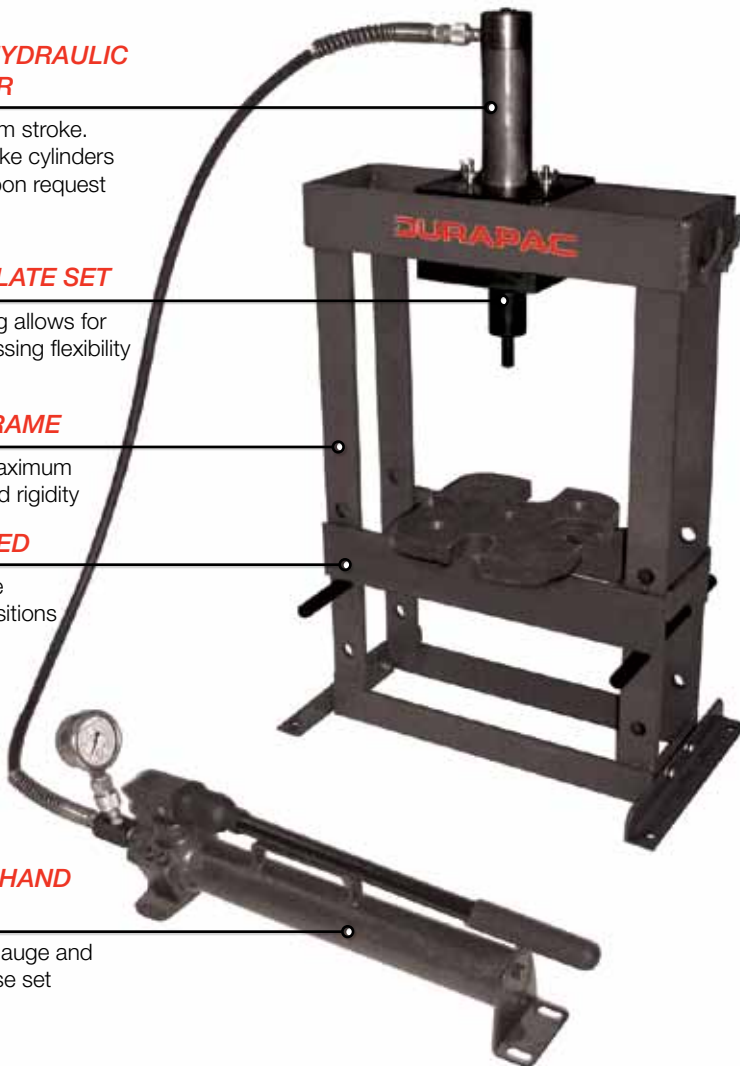
provides maximum strength and rigidity

### PRESS BED

has multiple working positions

### 2 SPEED HAND PUMP

with force gauge and 2 metre hose set



CAPACITY

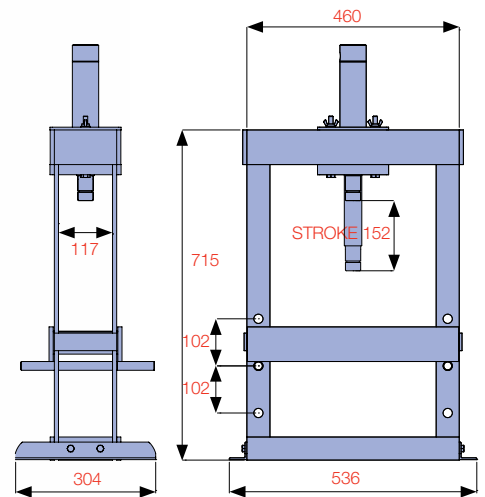
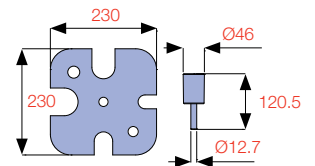
**10 & 35 ton**

OPERATION

**Air & Manual**

MAXIMUM OPERATING PRESSURE

**360-700 bar**



### Did you know...

**Durapac** model DPA-15R air/hydraulic power unit with remote pendant can also be used to operate the HP-10 press.



THE **DBJ-SERIES** BOTTLE JACKS ARE A PREMIUM RANGE IDEALLY SUITED TO MOST INDUSTRIAL LIFTING AND PUSHING APPLICATIONS.

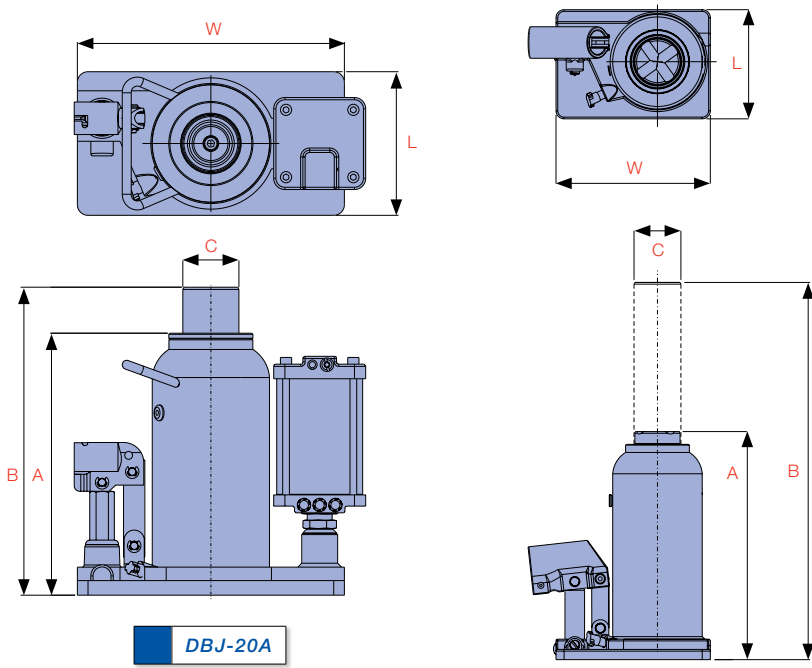
Models from 10-20 ton feature an additional screw extension and most can be used in both the vertical and horizontal positions. Spare parts and seal kits are available for all jacks.



**DBJ-20A MODEL**

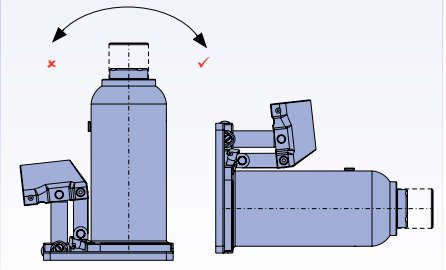
also includes a fast motion air pump for greater actuation and comes complete with a 3 piece saddle set (16, 45, 80 mm saddle heights)

Model Number	Operation	Capacity (ton)	Stroke (mm)	A Collapsed Height (mm)	B Extended Height (mm)
DBJ-10	Manual	10	147	240	387
DBJ-10S	Manual		95	170	265
DBJ-20	Manual	20	152	265	417
DBJ-20S	Manual		85	187	272
DBJ-20A	Air/Manual		150	235	385
DBJ-30	Manual	30	155	282	437
DBJ-30S	Manual		80	182	262
DBJ-50	Manual	50	155	305	460



**HORIZONTAL OPERATION**

10 and 20 ton models except DBJ-20A can be operated horizontally. Hydraulic stroke will be reduced to approximately 2/3.



C Piston Rod Diameter (mm)	Base Dimensions L x W (mm)	Screw Extension & Saddle Set Auxiliary Height (mm)	Air Pressure Range (kgf/cm <sup>2</sup> )	Weight (kg)	Model Number
42	105 x 166	85	-	8.2	DBJ-10
42	105 x 166	55	-	6.4	DBJ-10S
55	128 x 181	85	-	13.3	DBJ-20
55	128 x 181	55	-	10.0	DBJ-20S
50	128 x 238	16, 45, 80	8-12	14.5	DBJ-20A
62	142 x 197	-	-	19.6	DBJ-30
62	142 x 197	-	-	13.8	DBJ-30S
85	200 x 260	-	-	42.3	DBJ-50

**H**  
**JACKS**



CAPACITY

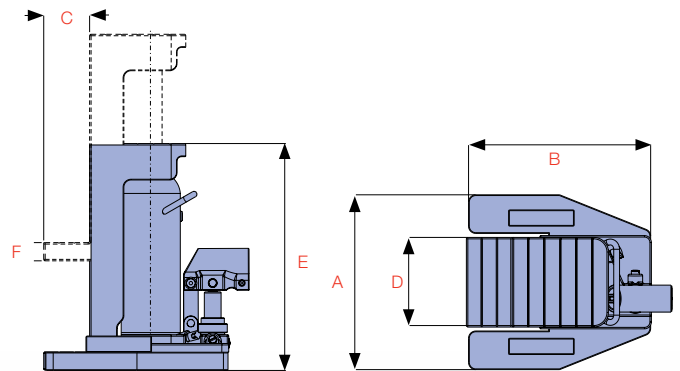
**2.5 - 25 ton**

STROKE

**110 - 150 mm**

THE **DTJ-SERIES** TOE JACKS ARE A PREMIUM RANGE IDEALLY SUITED TO LIFTING HEAVY MACHINERY OR EQUIPMENT WHEN ACCESS HEIGHT IS RESTRICTED.

Toe lift capacities range from 2.5-25 ton and all models feature a keyed toe with spring return piston.



**CHROME PLATED**

steel piston rod resists corrosion and extends life

**DOVETAIL DESIGN**

for perfect alignment of toe during lift (25 ton jack does not have dove tail design)

**EASE OF USE**

all jacks have been designed for ease of use and handling

**CARBON STEEL BASE**

is welded to ensure increased resistance to high pressure and provide greater durability

**OPERATING HANDLE**

included with all models

**360° ROTATING**

pump handle on models 2.5-15 ton

**INTERNAL STROKE LIMITER**

prevents piston rod over-extension

**LIFTING TOE**

manufactured from high strength alloy steel



Model No.	Jack Capacity ton* / kN	A Jack Width (mm)	B Jack Depth (mm)	C Toe Length (mm)	D Toe Width (mm)	E Collapsed Height (mm)	F Min. Toe Height (mm)	Stroke (mm)	Weight (kg)
DTJ-2.5	2.5 / 24.5	126	233	60	50	232	19	110	11.6
DTJ-5	5 / 49.0	182	259	60	75	282	22	130	22.0
DTJ-10	10 / 98.0	215	275	63	85	320	28	140	32.0
DTJ-15	15 / 147.0	238	297	60	85	328	30	140	42.0
DTJ-25	25 / 245.1	320	368	60	125	364	34	150	100.0

\* Nominal Jack Capacity in ton - see kN values for actual capacity



**THE DRJ-10 RAIL JACK IS IDEALLY SUITED TO ALIGNING, GAUGING AND LIFTING OF RAIL OR SLEEPERS.**

Utilising a forged aluminium upright base, this 10 ton\* capacity jack has been designed to be robust, lightweight and reduce the risk of operator injury. It has a spring return mechanism that will allow a jack with no load to be returned to the retracted position. The jack is fitted with an internal safety pressure relief valve to protect against overloading. The bladder system inside the aluminium protected reservoir allows the jack to be used in both the horizontal and vertical positions making it exceptionally versatile.



CAPACITY  
**10 ton\*/83.3 kN**

STROKE  
**225 mm**

**REMOVABLE EXTENSION HANDLE**

80 cm

**HANDLE EFFORT**

maximum 36 kg with extension handle

**RELEASE VALVE**

allows for controlled lowering and is recessed for protection against accidental knocks

**INTERNAL OIL RESERVOIR BLADDER**

allows operation in horizontal or vertical position

**OIL RESERVOIR COVER**

manufactured from aluminium (6061)

**LARGE ALUMINIUM BASE**

one piece forged aluminium (7075T) provides great support in soft ballast

**CARRYING HANDLE**

fixed in-line padded handle

**CHROME PLATED**

steel piston rod resists corrosion and extends life

**INTERNAL SPRING RETURN**

allows an unloaded jack to return to the retracted position

**INDEXED TOE**

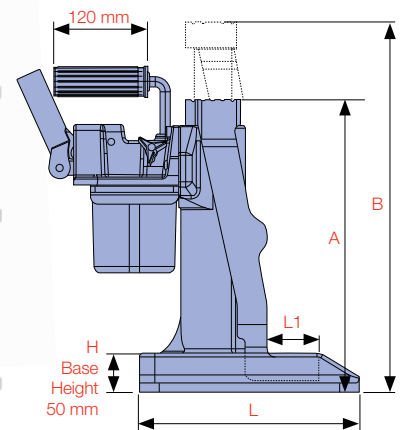
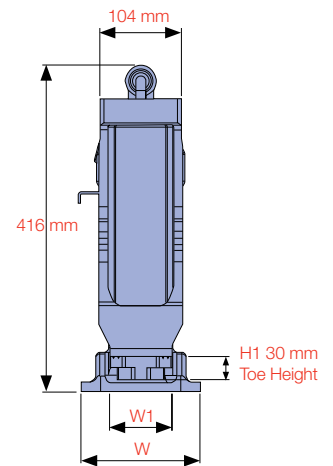
minimises swivel and allows for a safe, stable platform

**LOAD CAPACITY**

10 ton\* of lifting force

**MINIMUM BASE HEIGHT**

50 mm for easy positioning under the base of the rail



Model No.	Jack Capacity ton* / kN	A Collapsed Height (mm)	Stroke (mm)	B Extended Height (mm)	Travel/Pump Stroke (mm)	Max. Handle Effort (kg)	L x W x H Base Dimensions (mm)	L1 x W1 x H1 Toe Dimensions (mm)	Weight without Handle (kg)
DRJ-10	10 83.3	373	225	598	4.5	36	280 x 152 x 50	66 x 79 x 30	20.2

\* Nominal Jack Capacity in ton - see kN values for actual capacity

THE **KPL-SERIES** HIGH-PRESSURE AIR BAGS FEATURE KEVLAR® CORD REINFORCING. THE PATENTED CONSTRUCTION UTILISES STATE-OF-THE-ART DESIGN FOR LONG LIFE AND EASE OF USE.

Metal parts are solid brass. The bags are thin, light and simple to use. Two bags can be stacked safely on top of each other thanks to the special dimpled surface. Eleven models of air bag are available with lifting capacities ranging from 800 to 70,400 kg.



### Did you know...

That you can use two air bags stacked on top of each other to increase the lifting height?





**RUBBER DIMPLES**

on contact surfaces for positive gripping

**CROSSHATCH REINFORCING PATTERN**

made from Kevlar®

**CENTRING CROSS**

and printing are brightly coloured and bonded to the rubber for long life

**FIREPROOF & ANTISTATIC**

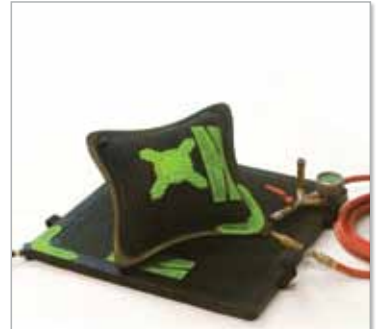
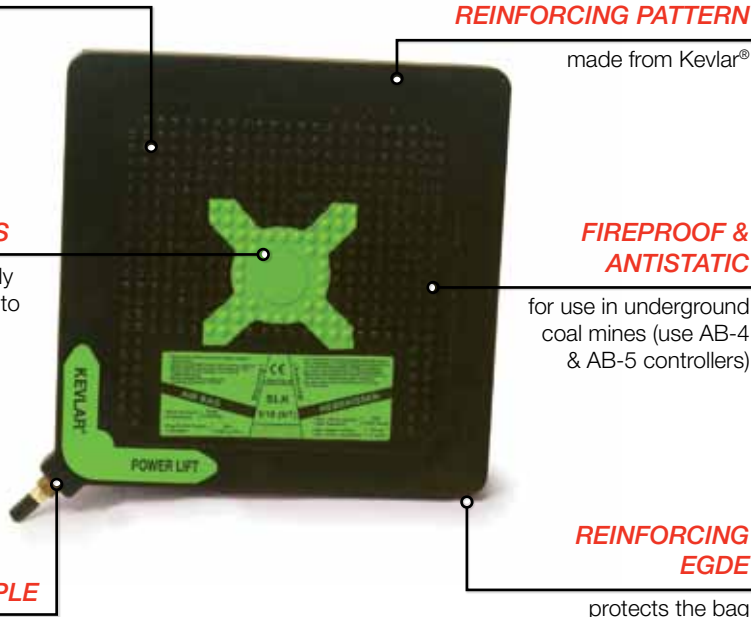
for use in underground coal mines (use AB-4 & AB-5 controllers)

**1/4"-NPT AIR NIPPLE**

is replaceable

**REINFORCING EDGE**

protects the bag from damage



AIR BAGS

CAPACITY

**800 - 70,400 kg**

MAXIMUM LIFTING HEIGHT

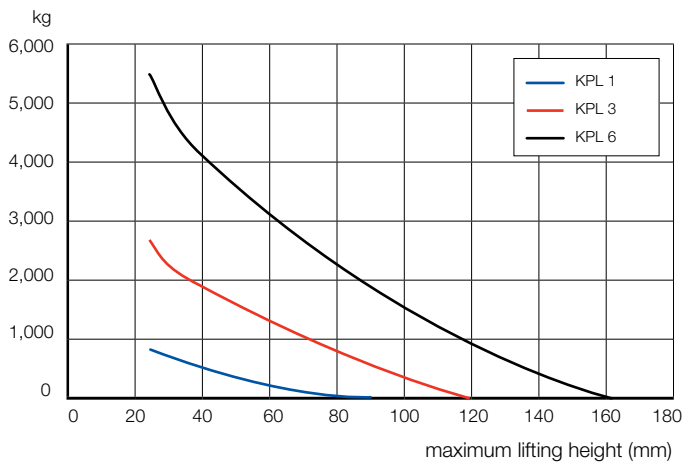
**80 - 520 mm**

MAXIMUM OPERATING PRESSURE

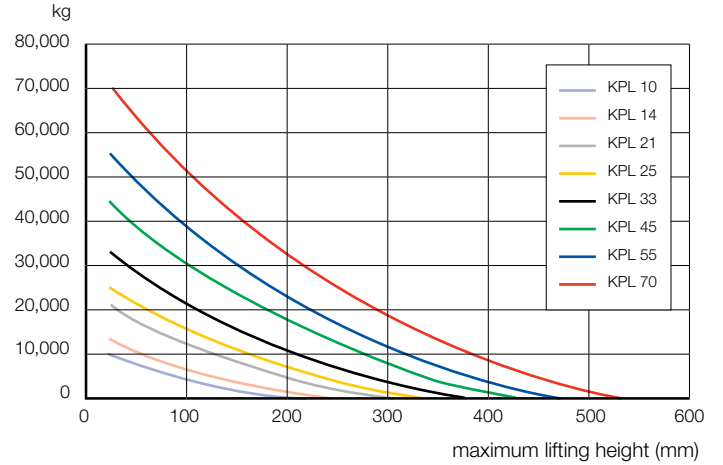
**8 bar**

**LIFTING CAPACITY VS LIFTING HEIGHT GRAPH**

maximum lifting capacity



maximum lifting capacity



Model No.	Max. Lifting Capacity (kg)	Max. Lifting Height (mm)	Thickness (mm)	Insertion Height (mm)	Dimensions (cm x cm)	Max. Air Requirement (L)	Max. Inflation Pressure (bar)	Min. Burst Pressure (bar)	Weight (kg)
KPL 1	800	80	25	26	15 x 15	5	8	32	0.55
KPL 3	2,700	130	25	26	22.5 x 22.5	15	8	32	1.25
KPL 6	5,500	160	25	26	30 x 30	42	8	32	2
KPL 10	10,100	210	25	26	38 x 38	86	8	32	3.5
KPL 14	13,500	250	25	26	45 x 45	152	8	32	5
KPL 21	21,100	300	25	26	55 x 55	296	8	32	7
KPL 25	25,200	340	25	26	61 x 61	416	8	32	9
KPL 33	33,000	380	25	26	69 x 69	621	8	32	11
KPL 45	44,600	420	25	26	78 x 78	921	8	32	14
KPL 55	55,000	470	25	26	87 x 87	1,305	8	32	18
KPL 70	70,400	520	25	26	94.5 x 94.5	1,505	8	32	22.5

AB-1

Single Deadman Controller - with pressure relief valve and pressure gauge. Controls one air bag.



AB-2

Dual Deadman Controller - with pressure relief valves and pressure gauges. Controls two air bags from one air source.



AB-3

Deluxe Dual Deadman Controller - with built-in pressure relief valves and pressure gauges and pressure sensitive toggle controls. For precise inflation and deflation of two air bags.



AB-4

Single Safety Controller - with pressure relief valve and pressure gauge. For inflation and deflation of one air bag.



AB-5

Dual Safety Controller - with pressure relief valves and pressure gauges. For inflation and deflation of two air bags.



ABC-1Y

Y-Connector - connector allows control of two bags with one controller.



## SAFETY CONTROLLERS AND ACCESSORIES ALLOW THE EFFICIENT AND SAFE USE OF THE KPL-SERIES AIR BAGS.

Single and dual deadman controllers with pressure gauge and pressure relief valves offer maximum air bag inflation and deflation control, while single and dual safety controllers offer a cost effective and reliable air bag control solution. Hoses, connectors, shut-off valves and pressure regulators allow maximum flexibility in the air bag system.

### ABCR-1

Pressure Regulator Controller - diaphragm type single stage regulator suits high pressure air tanks.



### ABHR-5, ABHB-5, ABHY-5 5M RED/BLUE/YELLOW ABHR-10, ABHB-10, ABHY-10 10M RED/BLUE/YELLOW

Hoses - available in 5/10m in RED/BLUE/YELLOW with male and female air coupler fitted.



### ABV-1

Inline Shutoff Valve - with 0.5 metre whip hose



### ABV-2

Inline Shutoff Valve - with relief valve





DURAPAC OFFERS A COMPLETE RANGE OF **SEAL KITS** TO SUIT ITS RANGE OF CYLINDERS, TOOLS AND EQUIPMENT.

The table below outlines seal kit part numbers to suit popular cylinder series and/or models. A complete list of operating instructions including spares parts lists and repair kit details is available on our website [www.durapac.com](http://www.durapac.com).

Seal Kit to Suit	Part Number
AR 30 TON SERIES	ZCS1000
AR 50 TON SERIES	ZCS1001
AR 75 TON SERIES	ZCS1002
AR 100 TON SERIES	ZCS1003
AR 150 TON SERIES	ZCS1004
ARD 30 TON SERIES	ZCS1005
ARD 50 TON SERIES	ZCS1006
ARD 75 TON SERIES	ZCS1007
ARD 100 TON SERIES	ZCS1008
ARD 150 TON SERIES	ZCS1009
ARHS 30 TON SERIES	ZCS1010
ARHS 60 TON SERIES	ZCS1011
ARHD 30 TON SERIES	ZCS1012
ARHD 50 TON SERIES	ZCS1013
ARHD 75 TON SERIES	ZCS1014
ARHD 100 TON SERIES	ZCS1015
ARHD 150 TON SERIES	ZCS1016
ARSLC 30 TON SERIES	ZCS1017
ARSLC 50 TON SERIES	ZCS1018
ARSLC 100 TON SERIES	ZCS1019
ARSLC 150 TON SERIES	ZCS1020
RD 10 TON SERIES	ZAM1005
RD 30 TON SERIES	ZAM1009
RD 50 TON SERIES	ZAM1012
RD 75 TON SERIES	ZAM1014
RD 100 TON SERIES	ZAM1006
RD 150 TON SERIES	ZAM1007
RD-2006	ZAM1102
RD-20013	ZAM1008
RD-20018	ZAM1098
RD-20024	ZAM1099
RD-20036	ZAM1100
RD-20048	ZAM1101
RD-3006	ZAM1107
RD-30012	ZAM1010
RD-30018	ZAM1103
RD-30024	ZAM1104
RD-30036	ZAM1105

Seal Kit to Suit	Part Number
RD-30048	ZAM1106
RD 400 TON SERIES	ZAM1011
RD 500 TON SERIES (except RD-5006)	ZAM1013
RD-5006	ZAM1108
RDHG 50 TON SERIES	ZAM1022
RDHG 100 TON SERIES	ZAM1015
RDHG 150 TON SERIES	ZAM1016
RDHG 200 TON SERIES	ZAM1018
RDHG 250 TON SERIES	ZAM1019
RDHG 300 TON SERIES	ZAM1020
RDHG 400 TON SERIES	ZAM1021
RDHG 500 TON SERIES	ZAM1023
RDHG 600 TON SERIES	ZAM1024
RFJ 5 TON SERIES	ZAM1030
RFJ 10 TON SERIES	ZAM1025
RFJ 20 TON SERIES	ZAM1028
RFJ 30 TON SERIES	ZAM1029
RFJ 50 TON SERIES	ZAM1031
RFJ 75 TON SERIES	ZAM1032
RFJ 100 TON SERIES	ZAM1026
RFJ 150 TON SERIES	ZAM1027
RG 5 TON SERIES (except RG-50 & RG-51)	ZAM1038
RG-50	ZAM1095
RG-51	ZAM1096
RG 10 TON SERIES	ZAM1033
RG 15 TON SERIES	ZAM1035
RG 25 TON SERIES	ZAM1036
RG 30 TON SERIES	ZAM1037
RG 50 TON SERIES	ZAM1039
RG 75 TON SERIES	ZAM1040
RG 100 TON SERIES	ZAM1034
RHD 30 TON SERIES	ZAM1043
RHD 60 TON SERIES	ZAM1044
RHD 100 TON SERIES	ZAM1041
RHD 150 TON SERIES	ZAM1042
RHS 12 TON SERIES (except RHS-120)	ZAM1046

Seal Kit to Suit	Part Number
RHS-120	ZAM1097
RHS 20 TON SERIES	ZAM1047
RHS 30 TON SERIES	ZAM1048
RHS 60 TON SERIES	ZAM1049
RHS 100 TON SERIES	ZAM1045
RJ 150 TON SERIES	ZAM1052
RJ 200 TON SERIES	ZAM1054
RLP 10 TON SERIES	ZAM1057
RLP 20 TON SERIES	ZAM1059
RLP 30 TON SERIES	ZAM1060
RLP 50 TON SERIES	ZAM1061
RLP 100 TON SERIES	ZAM1058
RPLC 60 TON SERIES	ZAM1068
RPLC 100 TON SERIES	ZAM1062
RPLC 160 TON SERIES	ZAM1063
RPLC 200 TON SERIES	ZAM1064
RPLC 250 TON SERIES	ZAM1065
RPLC 400 TON SERIES	ZAM1066
RPLC 500 TON SERIES	ZAM1067
RSH 50 TON SERIES	ZAM1073
RSH 100 TON SERIES	ZAM1069
RSH 150 TON SERIES	ZAM1070
RSH 200 TON SERIES	ZAM1071
RSH 250 TON SERIES	ZAM1072
RSHG 50 TON SERIES	ZAM1078
RSHG 100 TON SERIES	ZAM1074
RSHG 150 TON SERIES	ZAM1075
RSHG 200 TON SERIES	ZAM1076
RSHG 250 TON SERIES	ZAM1077
RSLC 400 TON SERIES	ZAM1084
RSLC 50 TON SERIES	ZAM1085
RSLC 100 TON SERIES	ZAM1079
RSLC 150 TON SERIES	ZAM1080
RSLC 200 TON SERIES	ZAM1081
RSLC 250 TON SERIES	ZAM1082
RSLC 300 TON SERIES	ZAM1083
RSLC 500 TON SERIES	ZAM1086



## TORQUE CALIBRATION SYSTEM

**HYDRAULIC TORQUE WRENCH TOOLS ARE A WIDELY ACCEPTED AND USED DEVICE FOR TIGHTENING AND LOOSENING MEDIUM TO LARGE BOLTS WITH UP TO 72,000 NM OF TORQUE.**

The range of applications is very diverse and hydraulic torque wrench tools can be seen in operation in almost every part of industry. Many of these applications are of a critical nature and demand a tool that is not only accurate and reliable, but also certified to be accurate. To ensure all Durapac TW and LPC-Series torque wrenches meet our clients high expectations each tool is supplied with a calibration certificate of accuracy that is traceable to international standards. Each test is performed on a calibration rig that has an accuracy of 0.1% and the tool serial number is cross referenced to the test certificate.



## CERTIFICATE OF ACCURACY

BELOW IS A SAMPLE CERTIFICATE THAT IS TRACEABLE TO INTERNATIONAL STANDARDS. ALL TW & LPC HYDRAULIC TORQUE WRENCHES ARE SUPPLIED WITH A CERTIFICATE OF ACCURACY.

**ABSOLUTE EQUIPMENT PTY LTD**  
 ABN 89 135 679 195  
 2/186 GRANITE ST  
 GEEBUNG QLD 4034  
 TEL: (07) 3865 4006  
 FAX: (07) 3102 6288

Customer: HURLY GOLD MINE  
 Address:  
 City/State/Zip: ALICE SPRINGS, NT 0870  
 Country: AUSTRALIA

Model No: DURAPAC TW3  
 Description: HYDRAULIC TORQUE WRENCH

**Testing Procedure:** Testing is performed by attaching the above ref torque wrench and Equipment used to AKD model TSD 2025-H7 Hydraulic / Pneumatic torque wrench test equipment in accordance with Specialised Force test procedure.

**Test equipment used:-**  
 TSD 20011 Torque Transducer s/n 2080, 0.1 % FV accuracy, last calibration certificate # 128529 dated 14/02/2006 with  
 TSD 9005-1 Torque Indicator s/n 40253, 0.1 % FV accuracy, last calibration certificate # 128529 dated 14/02/2006.  
 TSD 10KPT Pressure Transducer s/n 44818, 0.1 % FV accuracy, last calibration certificate # 134681 dated 10/4/2007 with  
 TSD 6006-2 Pressure Indicator s/n 28573, 0.1 % FV accuracy, last calibration certificate # 134681 dated 10/4/2007  
 Traceability to NIST (National Institute of Standards and Technology) # 802289306-02

**Comments:**  
 DO NOT EXCEED MAXIMUM DESIGN TORQUE CAPACITY OF 4812 NM

CERT 133  
 Test Date 12/05/2010  
 Customer PO# 5643  
 Serial # 8325  
 Primary Standard F93  
 Operator RENE BERNIS  
 Secondary Standard NM

Tested and Certified By:   
 Date Signed: 12/05/2010

**Certificate of Accuracy** **DURAPAC**

**As Found CW**

SETTING	PRIMARY	SECONDARY
1000	1000	490
2000	2000	924
3000	3000	1354
4000	4000	1782
5000	5000	2212
6000	6000	2640
7000	7000	3068
8000	8000	3492
9000	9000	3916
10000	10000	4340

**ABSOLUTE EQUIPMENT PTY LTD**  
 ABN 89 135 679 195  
 2/186 GRANITE ST  
 GEEBUNG QLD 4034  
 TEL: (07) 3865 4006  
 FAX: (07) 3102 6288

Customer: HURLY GOLD MINE  
 Address:  
 City/State/Zip: ALICE SPRINGS, NT 0870  
 Country: AUSTRALIA

Model No: DURAPAC TW3  
 Description: HYDRAULIC TORQUE WRENCH

**Comments:**  
 DO NOT EXCEED MAXIMUM DESIGN TORQUE CAPACITY OF 4812 NM

Test Date 12/05/10  
 Operator RENE BERNIS  
 Wrench Due Date 12/05/11

Tested and Certified By:   
 Date Signed: 12/05/2010

**Certificate of Accuracy** **DURAPAC**

PRIMARY	SECONDARY	PRIMARY	SECONDARY	PRIMARY	SECONDARY	PRIMARY	SECONDARY	PRIMARY	SECONDARY
1000.00	490.00	2000.00	924.00	3000.00	1354.00	4000.00	1782.00	5000.00	2212.00
1500.00	533.46	2500.00	965.00	3500.00	1379.80	4500.00	1817.20	5500.00	2640.00
2000.00	574.80	3000.00	1008.00	4000.00	1425.00	4800.00	1882.00	6000.00	2929.00
2500.00	620.20	3500.00	1047.00	4500.00	1471.40	5300.00	1927.00	6500.00	3373.40
3000.00	663.60	4000.00	1088.00	5000.00	1517.20	5800.00	1972.00	7000.00	3817.20
3500.00	707.00	4500.00	1129.00	5500.00	1563.00	6300.00	2017.00	7500.00	4261.00
4000.00	750.40	5000.00	1173.00	6000.00	1608.80	6800.00	2062.00	8000.00	4704.80
4500.00	793.80	5500.00	1211.00	6500.00	1654.60	7300.00	2107.00	8500.00	5148.60
5000.00	837.20	6000.00	1252.00	7000.00	1700.40	7800.00	2152.00	9000.00	5592.40
5500.00	880.60	6500.00	1293.00	7500.00	1746.20	8300.00	2197.00	9500.00	6036.20

PRIMARY	SECONDARY	PRIMARY	SECONDARY	PRIMARY	SECONDARY	PRIMARY	SECONDARY	PRIMARY	SECONDARY
6000.00	3080.00	7000.00	3132.00	8000.00	3182.00	9000.00	3234.00	10000.00	3288.00
6500.00	2725.20	7500.00	3177.00	8500.00	3232.00	9500.00	3288.00		
7000.00	2770.40	8000.00	3222.00	9000.00	3274.80				
7500.00	2815.60	8500.00	3267.00	9500.00	3317.20				
8000.00	2860.80	9000.00	3312.00						
8500.00	2906.00	9500.00	3357.00						
9000.00	2951.20								
9500.00	2996.40								
10000.00	3041.60								
10500.00	3086.80								

Customer Address: HURLY GOLD MINE  
 Temperature: N/A  
 Humidity: N/A  
 Wrench ID: 8325  
 Model No: DURAPAC TW3  
 Description: HYDRAULIC TORQUE WRENCH  
 CERT #: 133

Print Date: 12/05/2010  
**\*\* THIS CERTIFICATE MAY BE REPRODUCED ONLY IN ITS ENTIRETY \*\***









---

## QUALITY STATEMENT

---

**CONTINUALLY REVIEW AND IMPROVE OUR QUALITY CONTROL PROCESSES TO ACHIEVE THE GOAL OF BEST PRACTICE IN PRODUCTS AND SERVICES PROVIDED BY DURAPAC.**

To ensure all Durapac products are strictly in compliance with industrial standards and not only meet but exceed expectations, we have established a quality infrastructure consisting of R&D, design, manufacturing and testing that work harmoniously to provide quality industrial hydraulic equipment to the Construction, Mining, Petrochemical, Power Generation, Aviation and Railway Industries.

Prior to despatch from our distribution centre, each Durapac product is individually inspected, tested and certified to predetermined quality standards for the product type to ensure a zero defect status. Each product has an individual serial number laser engraved into the body and is cross referenced to the manufacturing processes for traceability.

All Durapac suppliers are required to hold approved quality systems accreditation and factory based reviews are conducted on a regular basis.

---

---

## CONTACT

---

**ABSOLUTE EQUIPMENT**  
Unit 2 / 186 Granite St  
GEEBUNG QLD 4034  
AUSTRALIA

**P +61 7 3865 4006**  
**F +61 7 3102 6288**  
**info@durapac.com**  
**www.durapac.com**

---



**DURAPAC**®  
ENGINEERED FOR RELIABILITY