



ENERSTAR
— WINDOWS LTD. —



WINDOWS

CASEMENT | SLIDER | TILT & TURN

604-503-2117

FAX: (604) 503-3107

info@enerstarwindows.com

WWW.ENERSTARWINDOWS.COM

EN 500 CASEMENT

Casement windows are the best performers in weatherproofing and noise reduction. In a casement window, the sash is attached to the one side of the window frame and open outward with a swing action. The great advantage of casement windows is their ability to maximise and control the breeze and direct it into any area of your home. This is achieved by their unique 90° pivot stays, which open in such a way as to partially centre the sash, thus capturing the breeze from any direction. They are ideal for inapproachable areas where one hand will effortlessly open and close the window. Bug screens are placed on the inside of the window which works great against the elements. For operation, the screen does not need to be touched or removed.



Canadian Standard	NAFS Standard	Performance Class	Overall Rating	Air Tightness	Water Tightness	Structural Integrity	Force Entry
CSA A440 S1-17	AAMA/WDMA/CSA101/1.S.2/A440-17	LC	PG30	A3	B3	Pass DP-30	Pass

Energy Rating	Best Performance
Double Glaze	1.40 W/m2k
Triple Glaze	1.13 W/m2k

Our casement system is designed to accommodate 1 3/8" thick triple glaze sealed units for maximum energy efficient.

Heavy Frame with multi chamber and strong wall thickness (one of the heaviest in the industries).

Optional Multi lock system for easiest operation and ensure maximum safety.

Steel Reinforcement
Depend on Size

Outside glazing system minimize chances of any water leak inside the house.

Modern style, square looking face finish.

Triple seal on sash for providing effective air and water barrier.

3 1/2" of frame depth with 1 1/4" of space on the outside of nailing fin for rain screen and flushed finishing on the outside alternative.



EN 900 SLIDER

Slider Windows offer high performance in your new or renovated home. They offer outstanding thermal and acoustic protection, and a number of weather-resistant features provide comfort and extra protection from rain and wind. They also feature a continuous weather seal strip and sill inlay to assist with drainage. The height is adjustable, dual wheel roller system ensures continual smooth opening and closing actions and excellent durability. Recognising the importance of weatherproofing, EnerStar Windows incorporates fully sealed corner joints (frame) and continuous weather seals (sashes).



Canadian Standard	NAFS Standard	Performance Class	Overall Rating	Air Tightness	Water Tightness	Structural Integrity	Force Entry
CSA A440 S1-17	AAMA/WDMA/CSA101/I.S.2/A440-17	LC	PG30	A3	B3	Pass DP-30	Pass
Energy Rating			Best Performance				
Double Glaze			1.42 W/m2k				
Triple Glaze			1.27 W/m2k				

Even line of sight for fix and opening side is very impressive for unobstructed view.

Heavy frame with extra strong wall thickness.

3 1/2" half inch deep frame with multiple chambers for minimal heat loss and maximum structural stability.

Outside glazing system for minimizing chances of any water leak inside the house.

Higher Internal slider cavity wall makes window look impressive from inside the house.

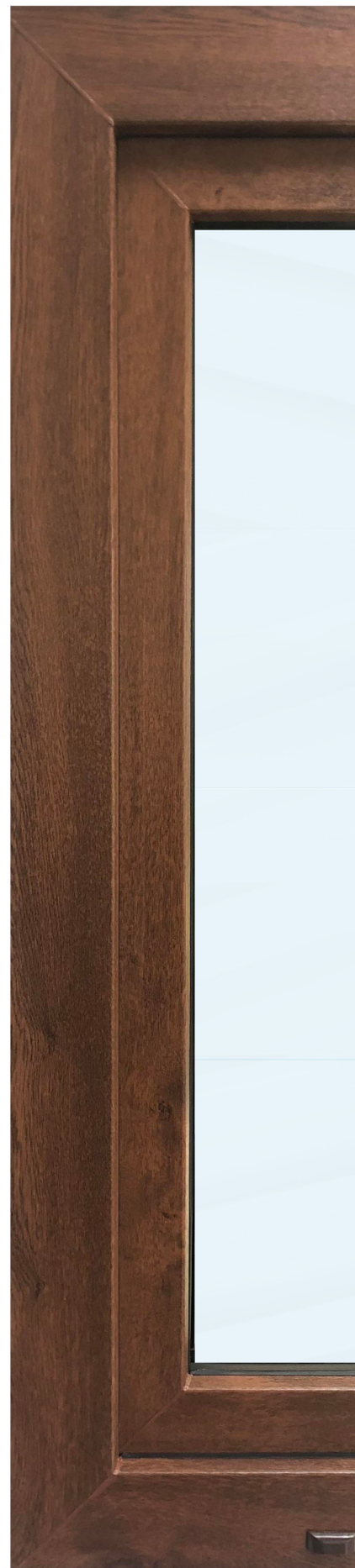
2 3/4" of frame face for better bolder look.

1 1/4" of frame space on the outside of nailing fin for rain screen and flushed finishing with wooden trim.



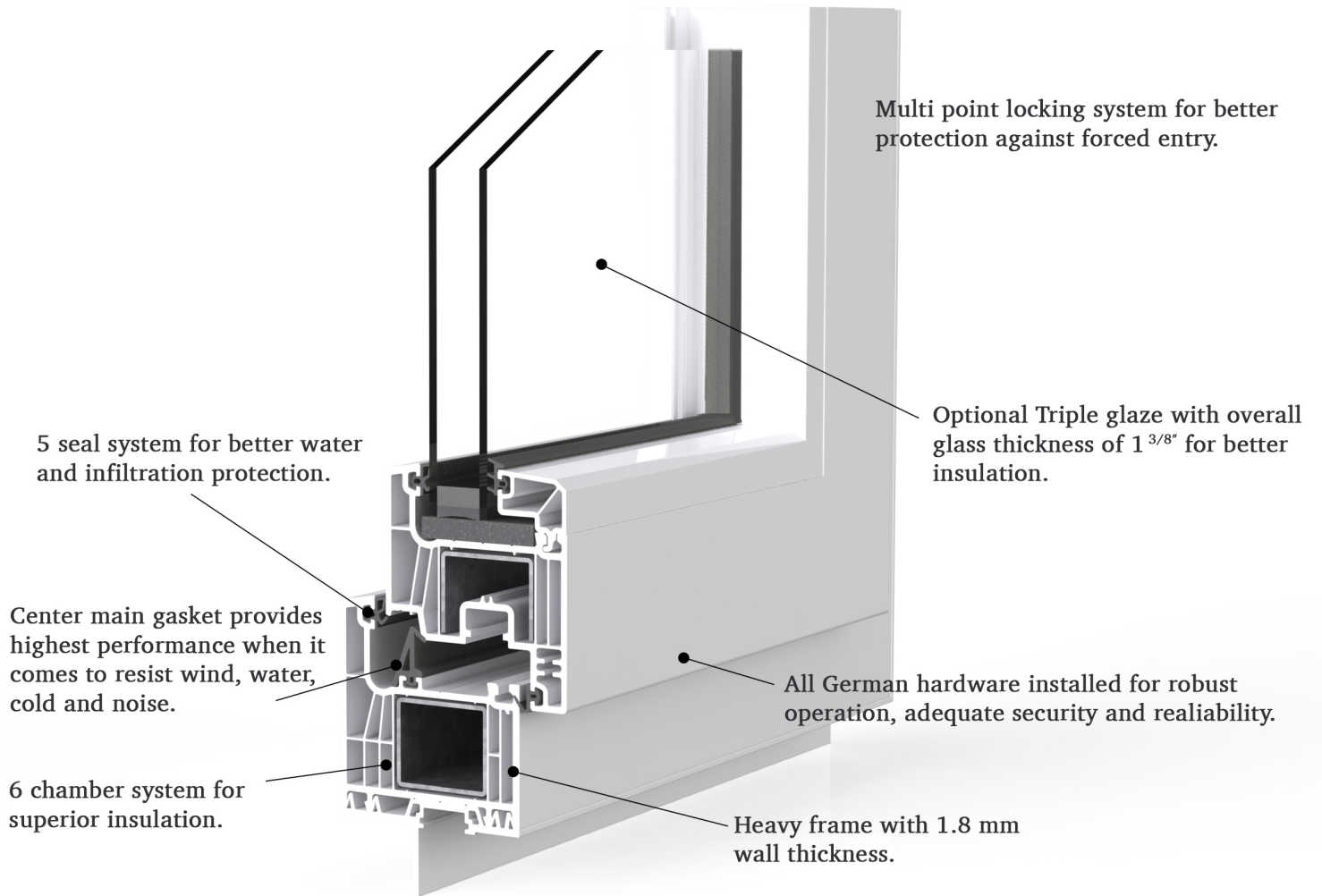
EN 500 TILT & TURN WINDOWS

Talk about functionality? – Providing both ventilation and ease of access for cleaning, European Tilt & Turn technology provides an ideal solution for a common problem. Opening towards inside, the Tilt & Turn hinges from the bottom for ventilation and from the side (like an internal casement) for cleaning access. The multi-point locking provides excellent structural performance allowing its use in high wind cyclonic areas. The elegant, aesthetic appearance and bespoke functionalities are designed to suit the satisfaction of your architectural and decorative expectations. At EnerStar Windows, we offer a variety of customised features to suit any style including a diverse selection of colours, glass types and handle types.



Canadian Standard	NAFS Standard	Performance Class	Overall Rating	Air Tightness	Water Tightness	Structural Integrity	Force Entry
CSA A440 S1-17	AAMA/WDMA/CSA101/1.S.2/A440-17	LC	PG30	A3	B3	Pass DP-30	Pass

Energy Rating	Best Performance
Double Glaze	1.39 W/m2k
Triple Glaze	1.12 W/m2k



CUSTOM FOIL FINISH

EnerStar uses state of art foil wrapping technology for providing solid colours and wood finish to vinyl frames for our customers, who do not want to miss colour revolution and characteristics of maintenance-free plastic. Foiled frames will not change their appearance for the entire life of the window in spite of sun, wind, rain and frost. The film used is permanently bonded to the plastic profiles.

FEATURES

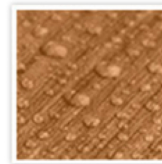
- Very high scratch resistance as compared to paint.
- Designed for extreme climate condition and performs feasible between temperature range from -40 degree to until 140 degree.
- 100's of solid colours and wood finishes to choose from.
- Unlike other decorative coating on PVC-Lamination does not chip or crack.



Foil remains intact up to 140 degrees



Intelligent surfaces with integrated sun protection



Thanks to the fine structure, the film is much easier to clean than conventional surfaces



**QUALITY PRODUCT FOR
MULTI FAMILY OR LIGHT
COMMERCIAL PROJECTS
WITH OUTSTANDING ENERGY
& ACOUSTIC PROPERTIES**



**WE PROUDLY
STAND BEHIND
OUR PRODUCTS**

(604) 503-2117

FAX: (604) 503-3107
info@enerstarwindows.com
WWW.ENERSTARWINDOWS.COM

**7531-134A STREET,
SURREY. V3W 7B3**