

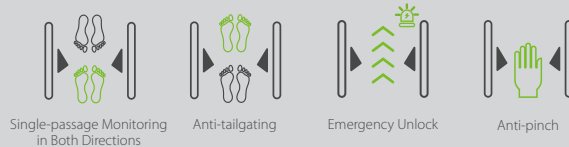


Mars Pro-F1200 Series

Mars Pro-F1200 Dual-Lane Flap Barrier Turnstile

Mars Pro-F1211 Dual-Lane Flap Barrier Turnstile
(w/ controller and RFID reader)

Mars Pro-F1222 Dual-Lane Flap Barrier Turnstile
(w/ controller and fingerprint & RFID readers)



Highly Durable and Low Maintenance Costs

- Modularized structure design
- Exposed mounting holes for easy installation
- Mainly made of SPCC (option: SUS316 stainless steel)

PGIC Controller

- Equipped with a PGIC controller
- Access control
- General features and parameters settings on the controller's menu

LED Indicator

- Visual cues for correct walking direction
- Clear guidance with green and red illustration

Switchable Reader Panel

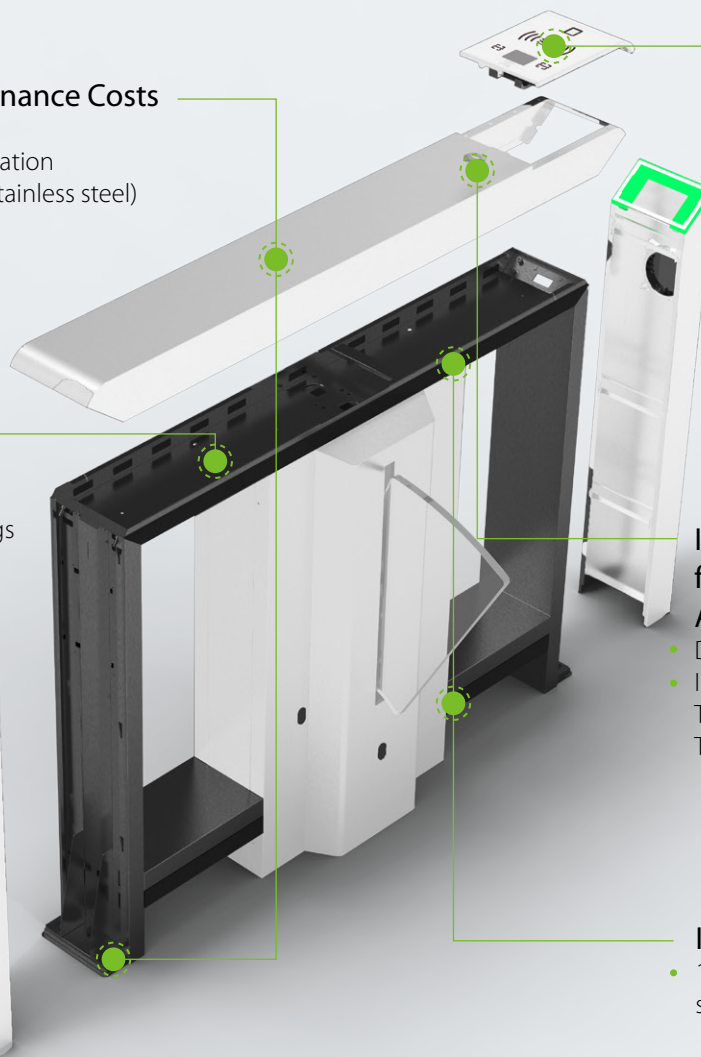
- Six panels available:
 - RFID only
 - RFID & Fingerprint
 - RFID & QR Code
 - RFID & Fingerprint & QR Code
 - RFID & Card Slot
 - RFID & Card Slot & QR Code
- Reducing middlemen's inventory pressure
- Reducing installation time & expenses

Installation Place for Facial Recognition A&C Terminals

- Diameter: 34mm
- Integration with Facial Recognition, Temperature and Mask Detection Terminals

Infrared Sensors

- 16 pairs of infrared sensors for stronger tailgating detection



Specifications

Model	Mars Pro - F1200 Series
Power Requirements	AC100V to 120V / 200V to 240V, 50 to 60Hz
Working Power	50W; 22W (stand-by)
Drive Unit	Brushless Motor
MCBF	10 millions
Technical Throughput Rate	Up to 30 people per minute
Barrier Movement	Retract
Noise	<60dB
Infrared Sensor	16 pairs
LED Indicator	Support
Working Temperature	-25°C to 65°C
Working Humidity	20% to 95% (non-condensing)
Working Environment	Indoor / Outdoor (if sheltered)
Lane Width	600mm
Dimensions (L*W*H)	1360 * 180 * 1010 (mm) (±5mm)
Dimensions with Packaging (L*W*H)	1510 * 365 * 1216 (mm)
Net Weight	75kg (±5kg)
Gross Weight	100kg (±5kg)
Cabinet Material	SPCC (option: SUS316 stainless steel)
Lid Material	Stainless steel (option: SUS316 stainless steel)
Barrier Material	Acrylic
Packing Material	Wooden case
Protection Level	IP34

Applications



Airports

Stations

Gyms



Government Buildings

Hotels

Banks

Dimensions (mm)

