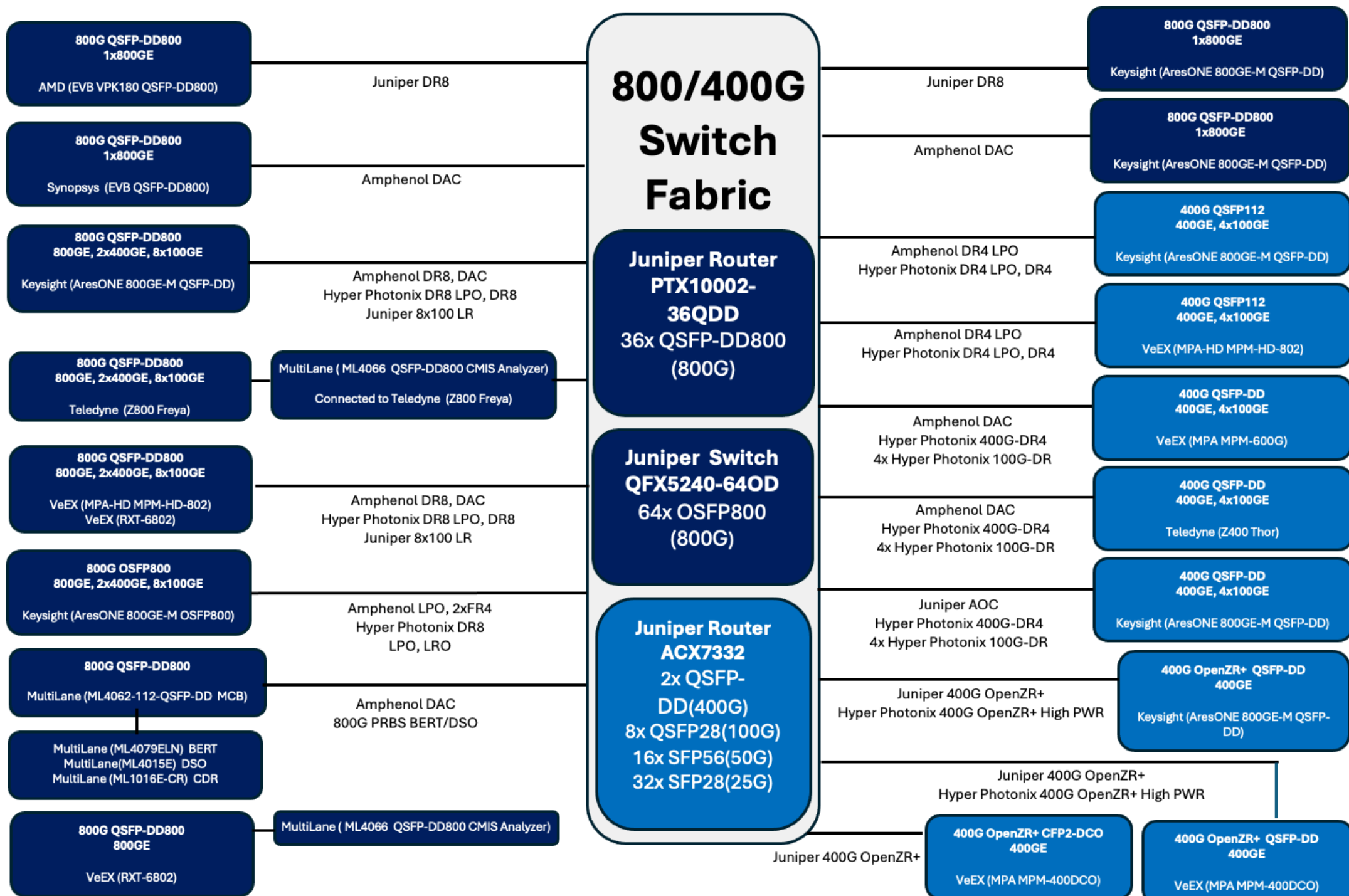


800/400GE Demo



LPO Technology Demo

- Hyper Photonix
- Keysight
- VeEX

106G PAM4 BERT Demo

- Amphenol
- Juniper
- MultiLane

Interconnects: Amphenol, Hyper Photonix, Juniper

- QSFP-DD800: LPO DR8, DR8, DR8+, DAC
- QSFP112: LPO DR4, LPO AOC DR4, AOC
- QSFP-DD: 400G OpenZR+, LR4, FR4, DR4, SR8, AOC
- OSFP800: LPO DR8, LRO, DR8, AOC, DAC
- CFP2-DCO: 400G OpenZR+
- MCB: QSFP-DD800

400G OpenZR+

- Juniper
- Keysight
- VeEX

CMIS Demo

- MultiLane
- Teledyne
- VeEX

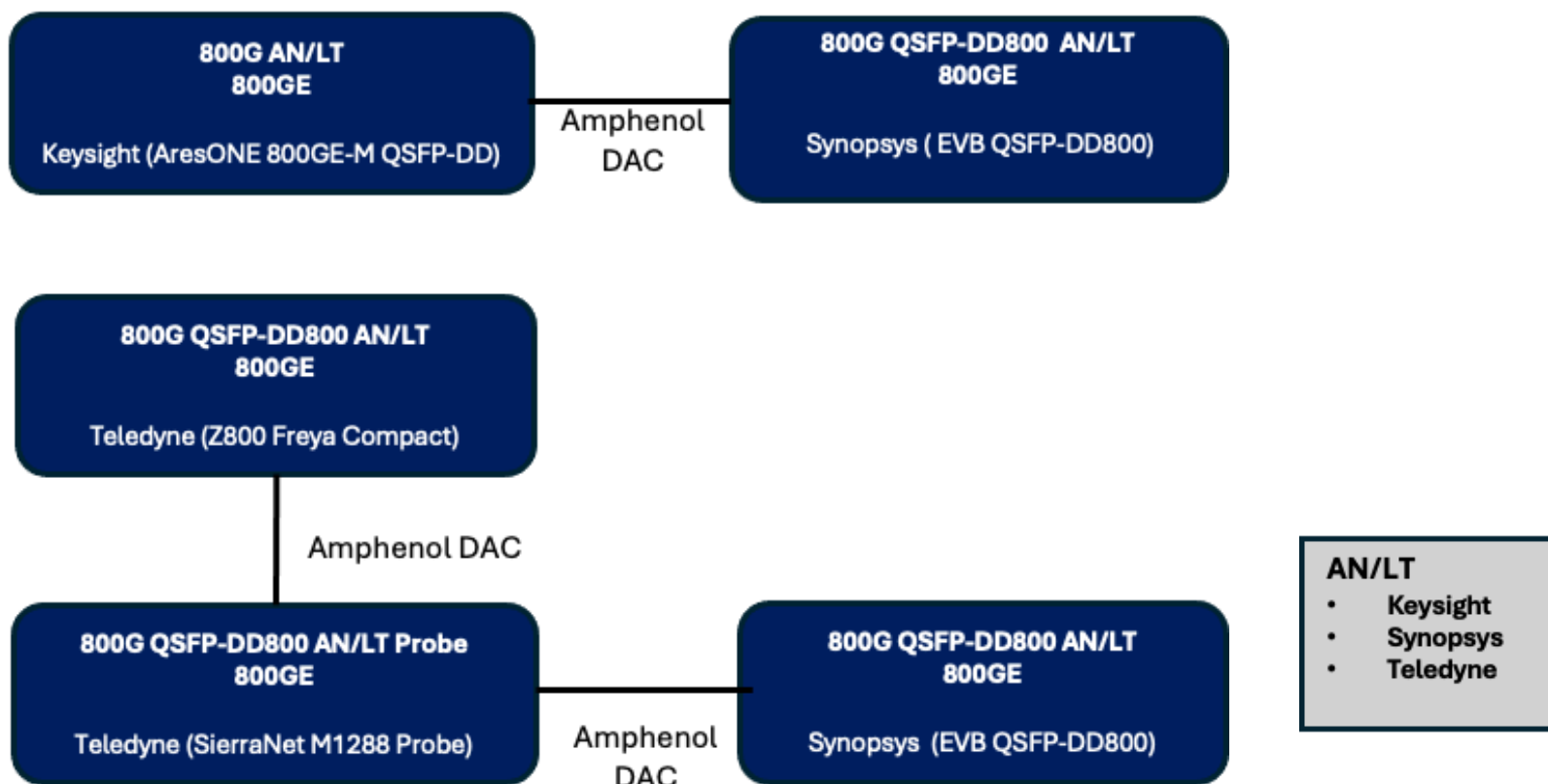
AI Demo

- Juniper
- Teledyne

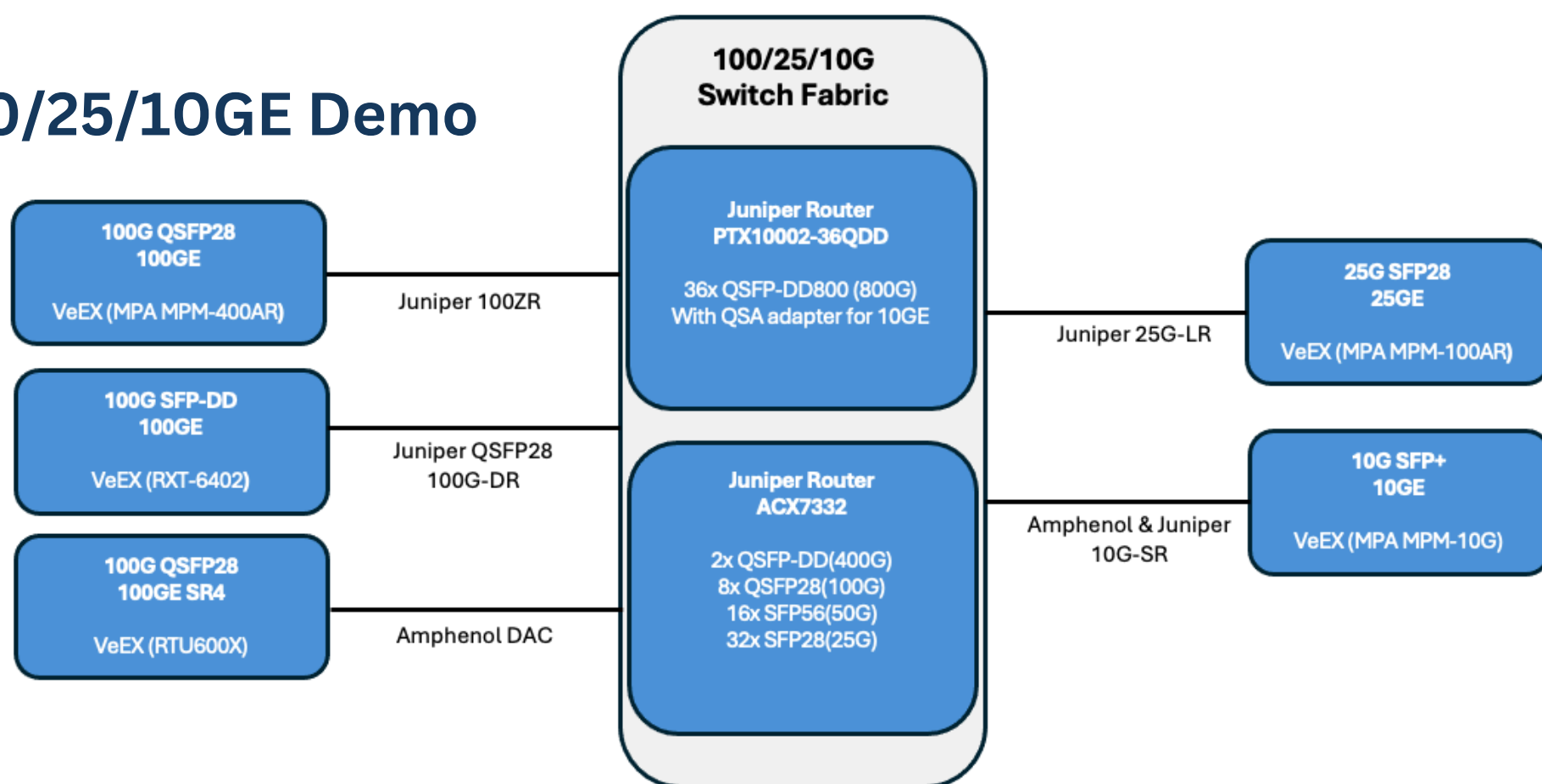
BOOTH PARTICIPANTS



800GE AN/LT Demo



100/25/10GE Demo



Interconnects: Amphenol, Hyper Photonix, Juniper

- QSFP28: 100ZR, DR, DAC
- SFP-DD: DR
- SFP28: LR, SR
- SFP+: SR

100ZR

- Juniper
- VeEX

BOOTH PARTICIPANTS

