

COMMERCIAL ITEM DESCRIPTION

PADLOCK (KEY OPERATED)

The General Services Administration has authorized the use of this Commercial Item Description for all federal agencies.

1. **SCOPE:** This Commercial Item Description (CID) covers key operated, dead bolt padlocks intended for low security use.
2. **SALIENT CHARACTERISTICS:**
 - 2.1 Padlock furnished under this CID shall be individually keyed, double dead -bolt locking construction and shall conform with the requirements of ASTM F883, Type P01, Option A (captive key). Padlocks shall conform to the dimensions as specified in Table I and figures below.

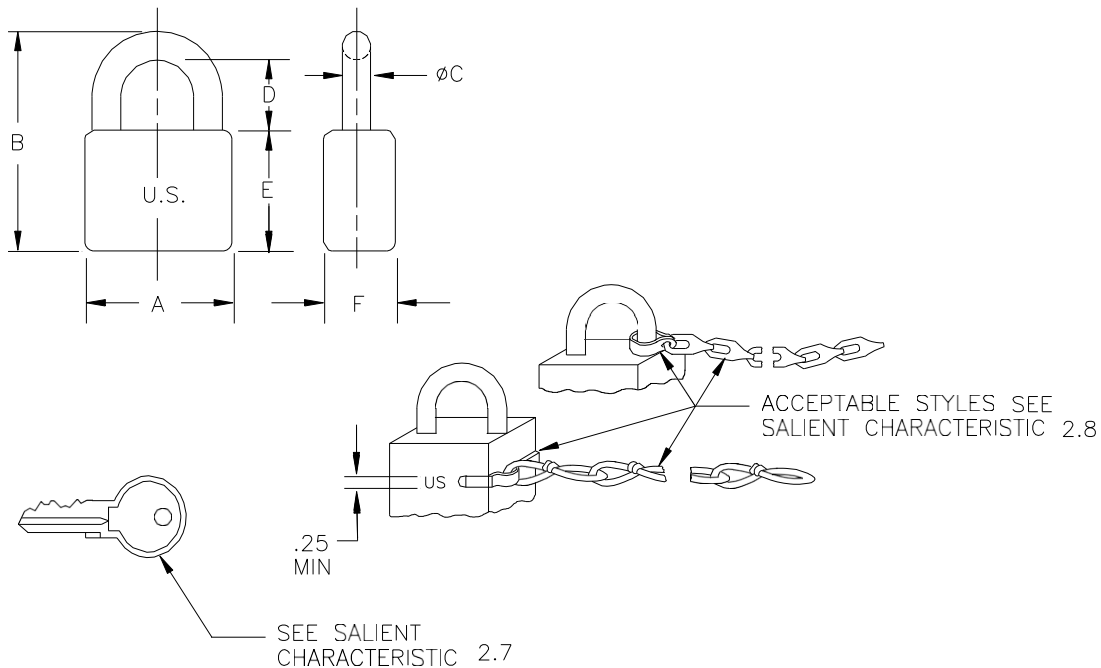


FIGURE 1. PADLOCK.

Comments, suggestions, or questions on this document should be addressed to DLA Troop Support – Industrial Hardware Division (ATTN: Code FHTE), 700 Robbins Avenue, Philadelphia, PA 19111-5096 or email to trpsptspecspa@dla.mil. Since contact information can change, you may want to verify the currency of this address information using the ASSIST Online database at <https://assist.dla.mil>.

Table I. DASH NUMBER and DIMENSIONS

DASH NUMBER	A ± .100	B		ØC ±.040	D		E		F	
		MIN	MAX		MIN	MAX	MIN	MAX	MIN	MAX
1	1.500	2.179	3.509	0.281	0.688	1.188	1.250	2.000	0.594	0.770
	1.500 LONG SHACKLE	3.991	5.321		2.500	3.000				
2	1.750	2.678	3.883	0.343	1.125	1.500	1.250	2.000	0.688	0.820

Note: The lock thickness, F, is measured at either lock edge face. The overall thickness at any point throughout the lock body shall not exceed 0.150 inch greater than edge measurement, F.

- 2.2 Material. Shackle, case, spring and attachments shall be in accordance with the following:
- Brass or bronze – conforming to ASTM B16/B16M, ASTM B30, ASTM B505/B505M, ASTM B584, or ASTM B770.
 - Corrosion resistant steel, carbon steel or alloy steel as required in commercial practice unless otherwise specified.
 - Spring – shall be phosphor bronze conforming to ASTM B159/B159M.
 - Steel shackle – Shall be uniformly case hardened and shall meet the minimum desired grade requirements as specified for Forcing Tests of ASTM F883.
 - Attachment clevis – Shall be brass or steel with zinc electroplated coating of ASTM B633.
- 2.3 Finish. Brass or bronze – clear lacquer on exterior in accordance with commercial practice. Carbon steel or alloy steel – shall be zinc or chromium electroplated conforming to ASTM B633 or ASTM B177/B177M. Prior to application of any coating, all exterior surface shall have a smooth finish. Sharp edges and burrs shall be removed. The case surface shall have a smooth or tumbled finish for laminated construction.
- 2.4 Lubrication. Working parts shall be lubricated as needed with a lubricant normally used for the intended purpose.
- 2.5 Case. The case shall be either laminated or solid as specified (see 6.4) of the materials indicated for the type of padlock. If a solid steel case is specified, the case shall be uniformly case hardened steel with a hardness in the range of 40 to 50 on the Rockwell C scale (40-50 HRC).
- 2.6 Shackle. The shackle shall be “U” shaped and may be either spring released or pull released. The diameter of the shackle shall be as specified in Table I. When steel shackle is specified, the shackle shall be uniformly case hardened.
- 2.7 Keying. All keys shall be captive (unremovable) in the cylinder when unlocked. Each padlock shall be furnished with two (2) keys. No key shall operate more than one (1) padlock per 50 padlocks. Individually keyed padlocks shall have at least as many possible key changes as follow:
DASH NUMBER 1 – 4,000
DASH NUMBER 2 – 10,000
- 2.8 Chain. When specified, the chain supplied with the padlock shall conform to RR-C-271, Type II, Class 2 or 6 (brass or steel as applicable). The chain shall be nine (9) inches long ± one (1) link.
- 2.9 Marking. The markings “U.S.” shall be .25 inch minimum size and can be located on either side of the padlock.
- 2.10 Padlocks, as a minimum, shall be able to withstand the testing requirements for Grade 2 of ASTM F883 with the following exception:
- Substitute the tensile force value per ASTM F883 with 800 pound-force (lbf) for dash number 1 padlocks and 2,000 lbf for dash number 2.

3. REGULATORY REQUIREMENTS.

3.1 The offerer/contractor is encouraged to use recovered materials to the maximum extent practicable, in accordance with paragraph 23.403 of the Federal Acquisition Regulation (FAR).

4. PRODUCT CONFORMANCE PROVISIONS.

4.1 Product conformance. The products provided shall meet the salient characteristics of this commercial item description, conform to the producer’s own drawings, specifications, standards, and the quality assurance practices, and be the same product offered for sale in the commercial market. The government reserves the right to require proof of such conformance.

5. PACKAGING.

5.1 Preservation, packing and marking shall be as specified in the contract or order.

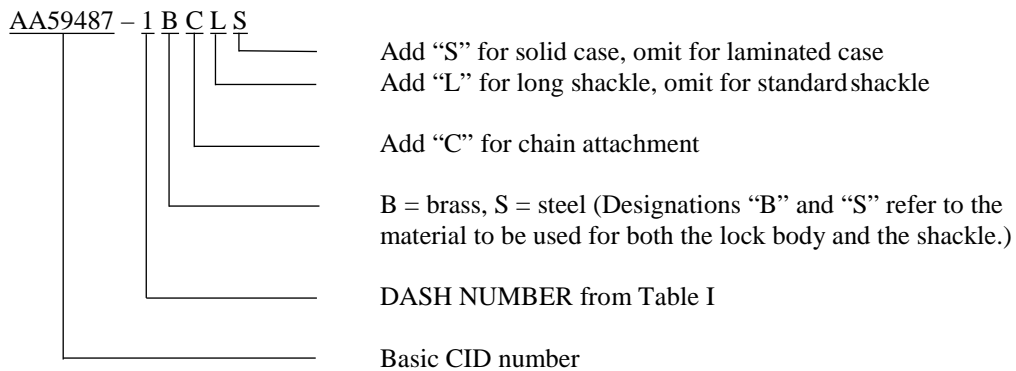
6. NOTES.

6.1 Unless otherwise specified, all dimensions are in inches.

6.2 Unless otherwise specified in the contract or purchase order, packaging shall be in accordance with ASTM D3951.

6.3 In the event that the requirements of this document should conflict with ASTM F883, this document should take precedence.

6.4 The following part or identification numbering procedure is for government purposes and does not constitute a requirement for the contractors. The Part Identification Number (PIN) shall consist of the basic commercial item description number followed by a dash number from Table I, plus other options as specified in the example below:



6.5 Cross-reference data. Padlocks conforming to this CID, either laminated case or solid case, are interchangeable/substitutable with padlock sets conforming to MS35647E dated 27 Jul 1992. See Table II.

Table II. CROSS – REFERENCE TABLE FOR CANCELLED MS PIN

Cancelled MS PIN	Replacement CID PIN (Laminated Case)	Replacement CID PIN (Solid Case)
MS35647-3	AA59487-1BC	AA59487-1BCS
MS35647-4	AA59487-1B	AA59487-1BS
MS35647-5	AA59487-1BCL	AA59487-1BCLS
MS35647-6	AA59487-1BL	AA59487-1BLS
MS35647-9	AA59487-2SC	AA59487-2SCS
MS35647-10	AA59487-2S	AA59487-2SS

6.6 Source of documents.

6.6.1 FAR. The FAR may be obtained from the Regulatory Secretariat, 1800 F Street NW, Washington DC 20405 or online at <http://www.acqnet.gov>.

6.6.2 ASTM Standards. Copies of ASTM standards may be obtained from the ASTM International, 100 Barr Harbor Drive, West Conshohocken, PA 19428-2959 or online at <http://www.astm.org>.

6.7 Ordering data. The contract or order should specify the following:

- a. CID document number, revision, and CID PIN.
- b. Product conformance provisions.
- c. Packaging requirements.

6.8 Key words.

Chain
Laminated case
Shackle
Solid case

6.9 Changes from previous issue. The margins of this specification are marked with vertical lines to indicate where changes (additions, modifications, corrections, deletions) from the previous issue were made. This was done as a convenience only, and the government assumes no liability whatsoever for any inaccuracies in these notations. Bidders and contractors are cautioned to evaluate the requirements of this document based on the entire content irrespective of the marginal notations and relationship to the last previous issue.

MILITARY ACTIVITIES:

Custodian:
Army – AR
Navy – YD
Air Force – 99

Review activities:
Army – AV, CR, MI
Navy – MC
Air Force – 71

CIVIL AGENCY COORDINATING ACTIVITY:

GSA – FAS

Preparing activity:
DLA – IS

(Project 5340-2018-010)

NOTE: The activities listed above were interested in this document as of the date of this document. Since organizations and responsibilities can change, you should verify the currency of the information above using the ASSIST Online database at <https://assist.dla.mil>.