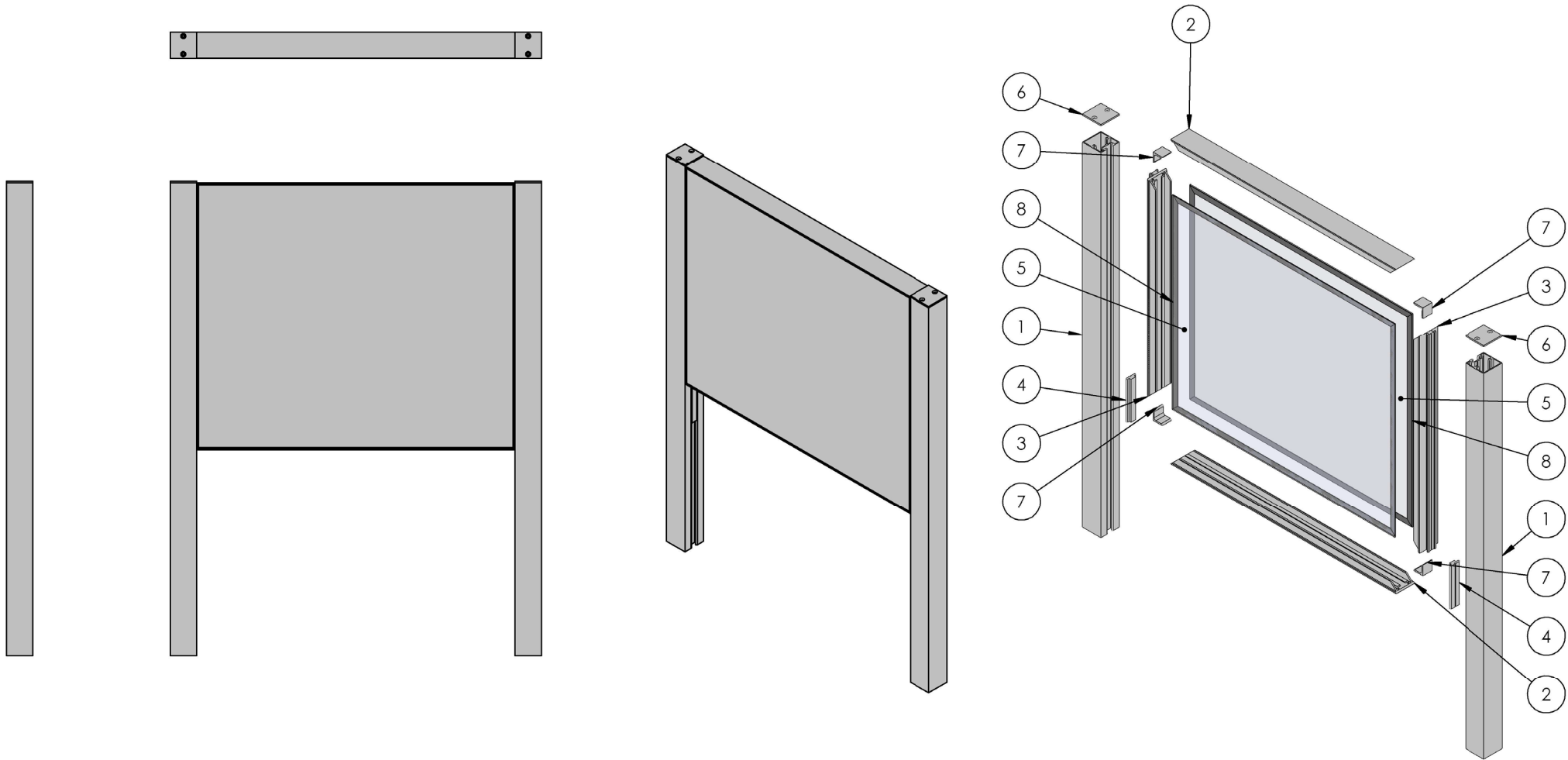




www.charlestonsignsystems.com
www.charlestonsignmanufacturing.com

ITEM NO.	DESCRIPTION	QTY.
1	C7G0288 - 225 STANDARD POST	2
2	C6G11153 - 225 FLUSH FACE T-B FRAME	2
3	C6G12153 - 225 FLUSH FACE NO REVEAL SIDE FRAME	2
4	C51523153 STOP BLOCK POST FILLER	2
5	FACE PANEL - 3/32" ALUMINUM PLATE	2
6	POST CAP - 1/8" X 2" X 2" ALUMINUM	2
7	AL ANGLE 1 X 1 X 0.125 WALL	4
8	DOUBLE SIDED TAPE	2

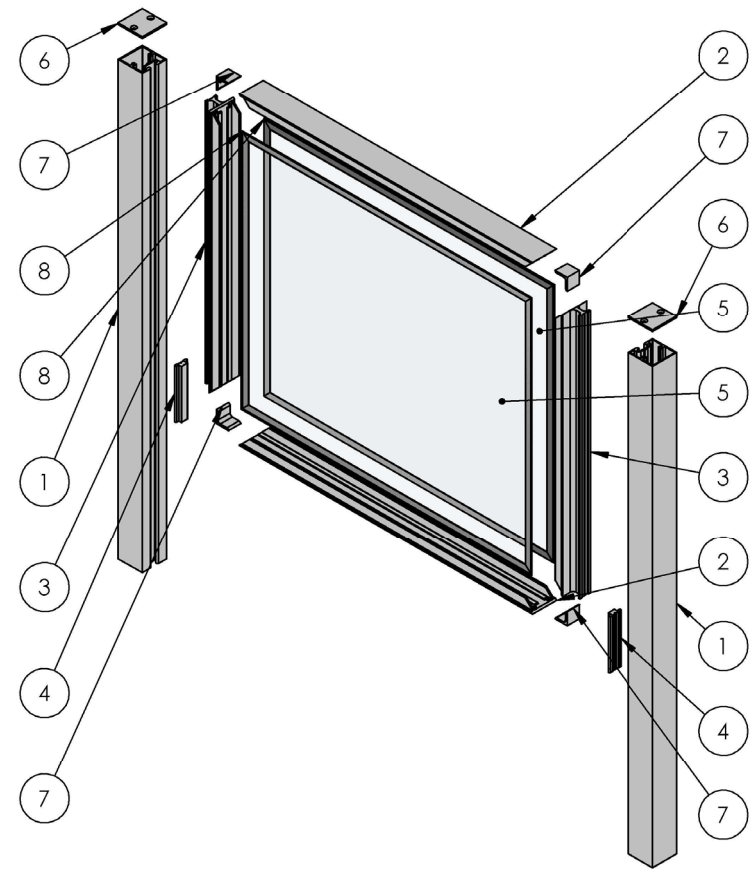
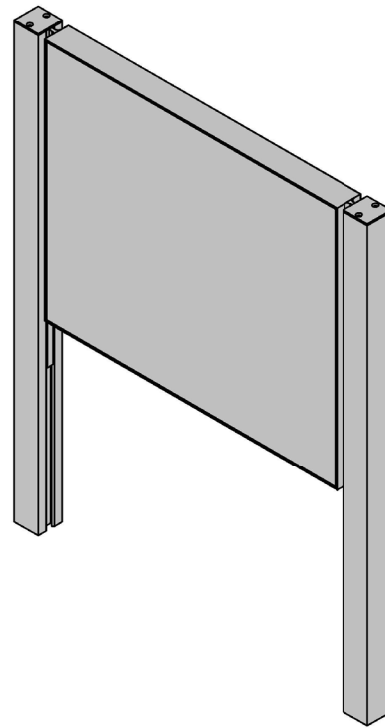
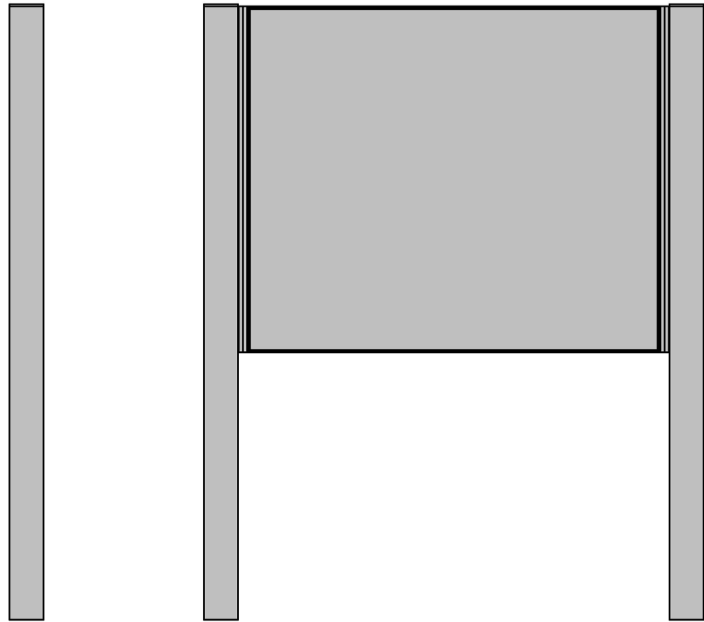


225 FLUSH FACE NO REVEAL



www.charlestonesignsystems.com
www.charlestonesignmanufacturing.com

ITEM NO.	DESCRIPTION	QTY.
1	C7G0288 - 225 STANDARD POST	2
2	C6G11153 - 225 FLUSH FACE T-B FRAME	2
3	C6G10153 - 225 FLUSH FACE SIDE FRAME	2
4	C51523153 - STOP BLOCK POST FILLER	2
5	FACE PANEL - 3/32" ALUMINUM PLATE	2
6	POST CAP - 1/8" X 2" X 2" ALUMINUM PLATE	2
7	AL ANGLE 1 X 1 X 0.125 WALL	4
8	DOUBLE SIDED TAPE	1

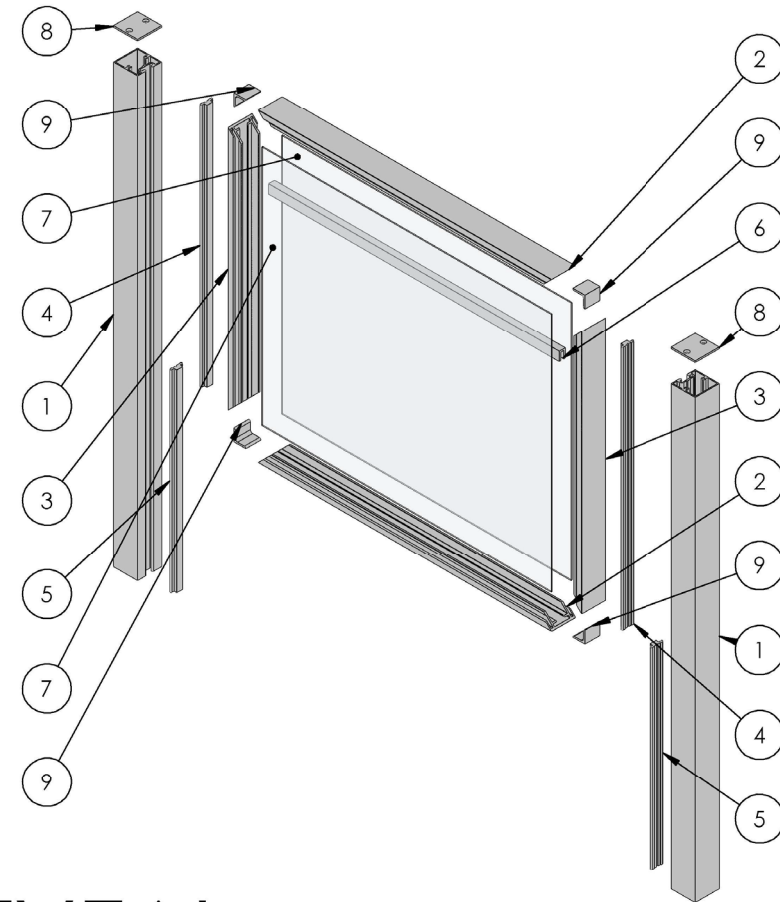
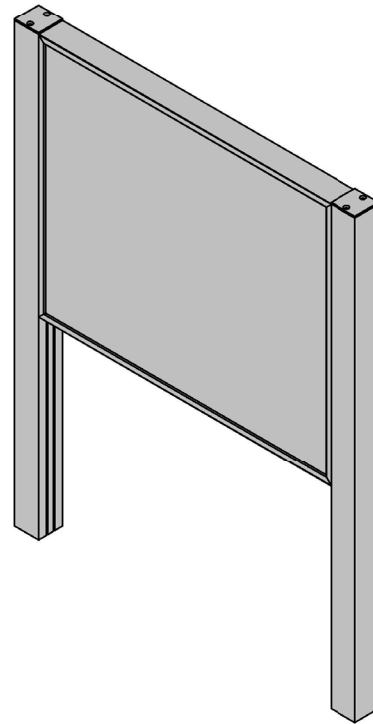
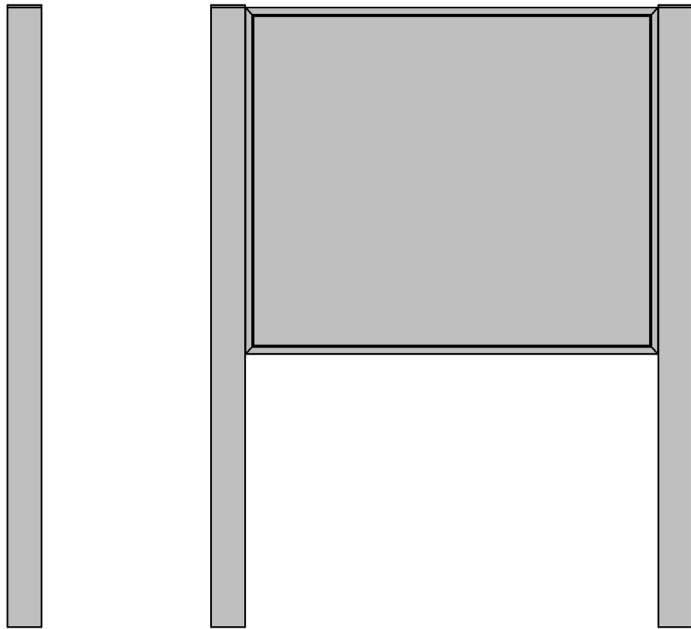


225 FLUSH FACE WITH REVEAL



www.charlestonsignsystems.com
 www.charlestonsignmanufacturing.com

ITEM NO.	DESCRIPTION	QTY.
1	C7G0288 - 225 STANDARD POST	2
2	C6G01153 - 225 STANDARD T-B FRAME	2
3	C6G01153 - 225 STANDARD T-B FRAME	2
4	C51523153 - STOP BLOCK POST FILLER	2
5	C51523153 - STOP BLOCK POST FILLER	2
6	C51560240 - .13 X .5 X .75 U-CHANNEL	1
7	FACE PANEL - 3/32" ALUMINUM PLATE	2
8	POST CAP - 1/8" X 2" X 2" ALUMINUM PLATE	2
9	AL ANGLE 1 X 1 X 0.125 WALL	4

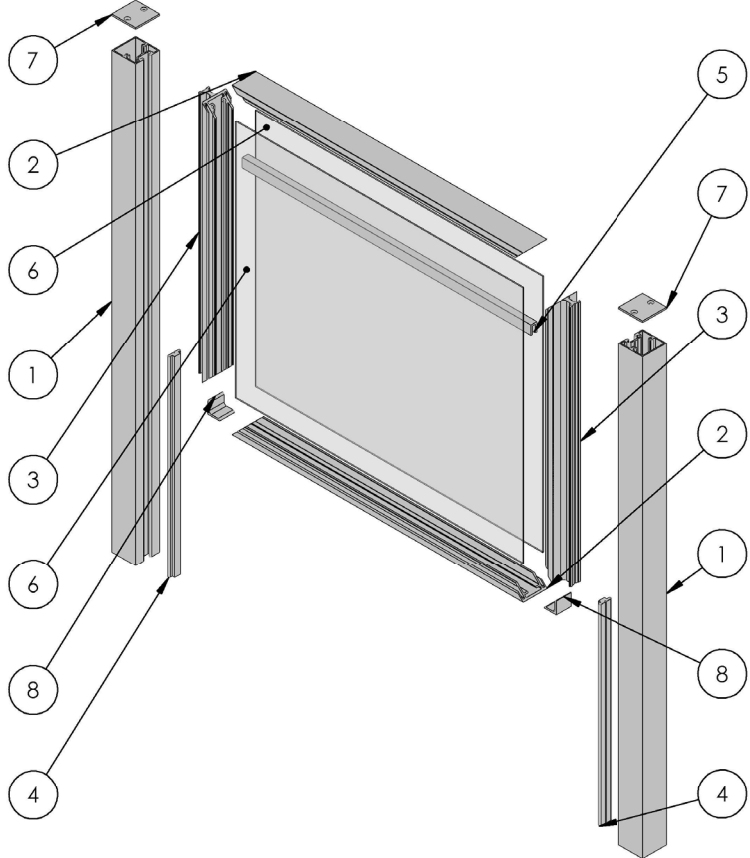
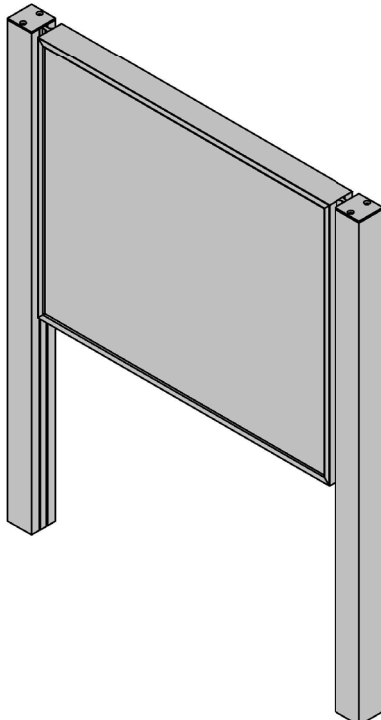
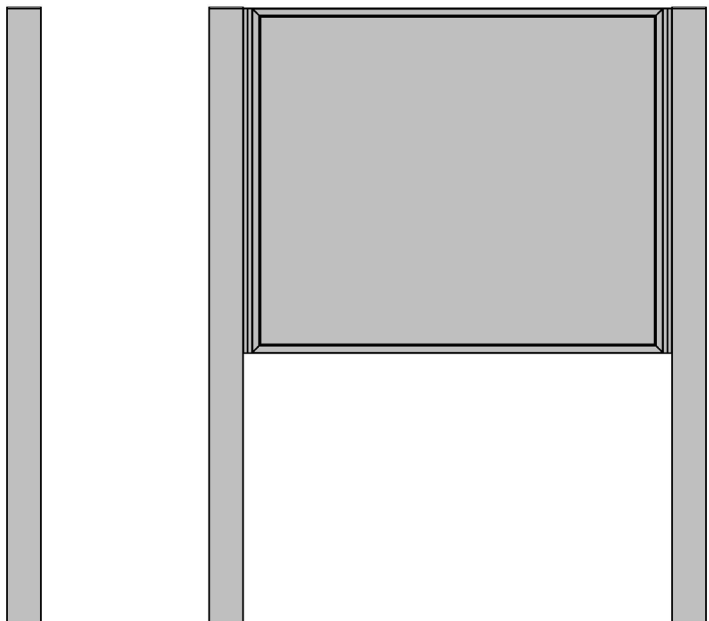


225 STANDARD NO REVEAL



www.charlestonsignsystems.com
www.charlestonsignmanufacturing.com

ITEM NO.	DESCRIPTION	QTY.
1	C7G0288 - 225 STANDARD POST	2
2	C6G01153 - 225 STANDARD T-B FRAME	2
3	C6G00153 - 225 STANDARD SIDE FRAME	2
4	C51523153 STOP BLOCK POST FILLER	2
5	C51560240 - .13 X .5 X .75 U-CHANNEL	1
6	FACE PANEL - 3/32" X 20" X 24" ALUMINUM PLATE	2
7	POST CAP - 1/8" X 2" X 2" ALUMINUM PLATE	2
8	ALUMINUM ANGLE 1 X 1 X 0.125 WALL	2



225 STANDARD WITH REVEAL