

4

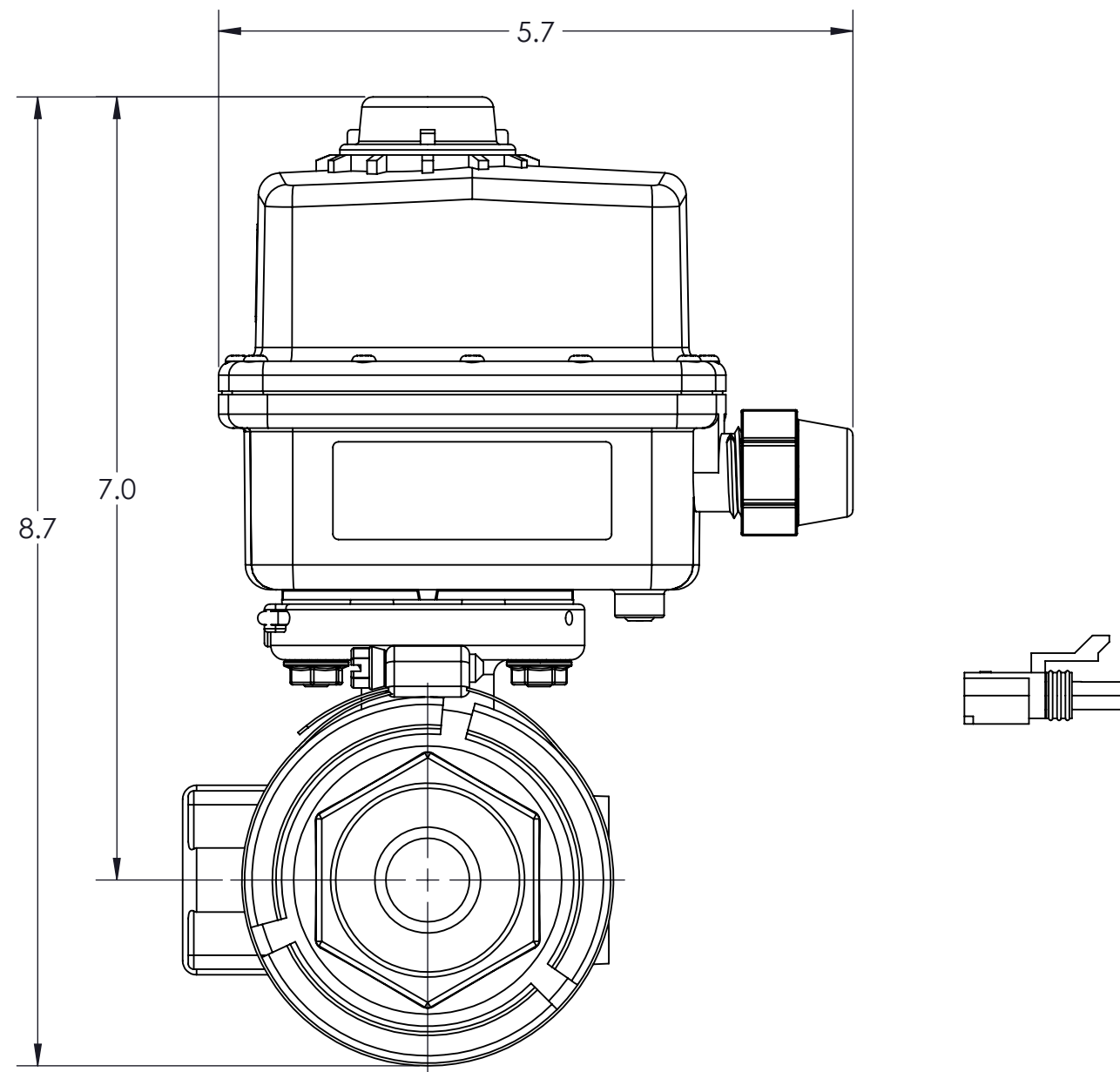
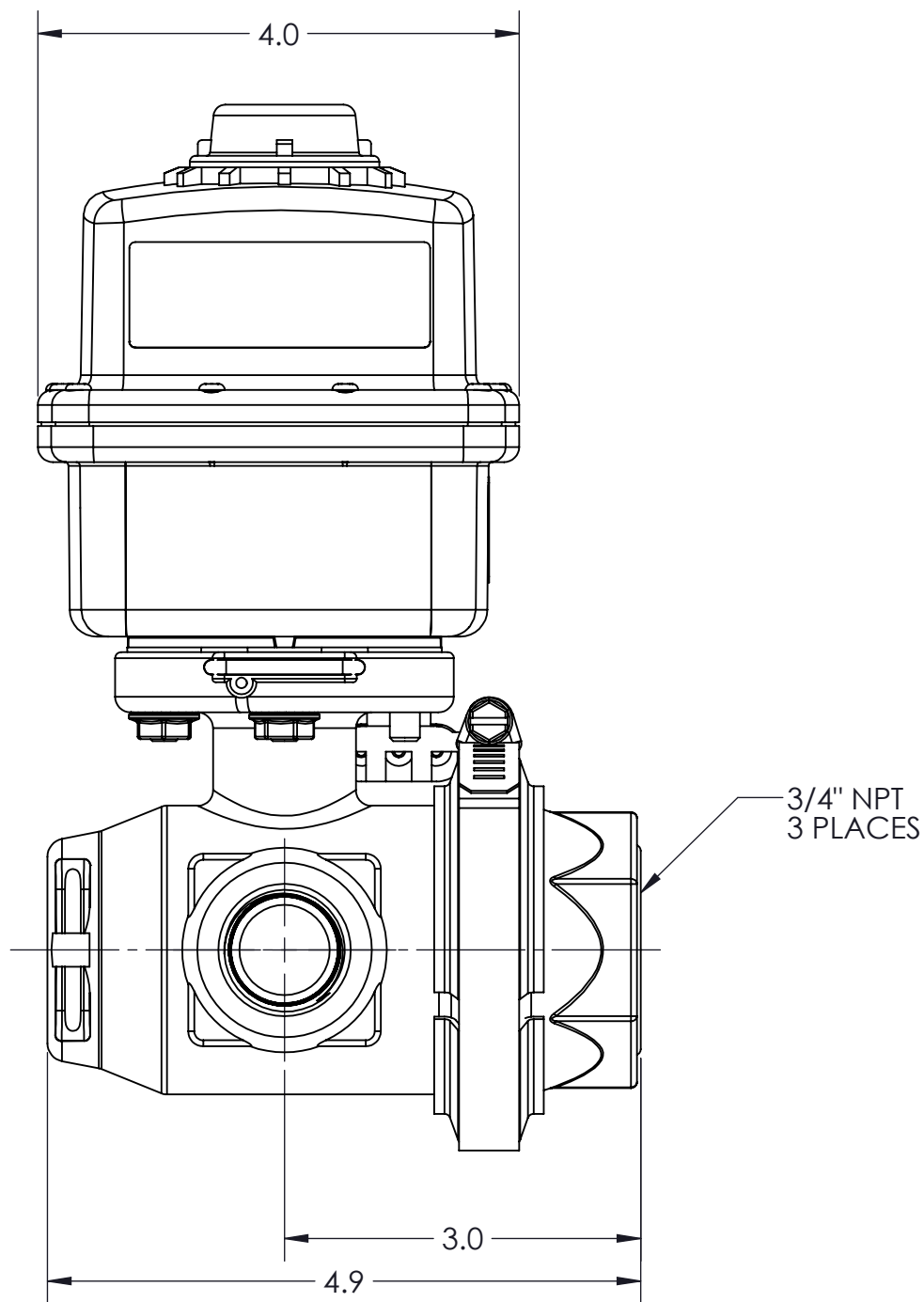
3

2

1

CONFIDENTIAL AND PROPRIETARY TO KZCO, INC. UNAUTHORIZED USE, DISCLOSURE OF REPRODUCTION IS PROHIBITED

FOR MORE DETAILS AND INFORMATION, CONTACT: SALES@KZCO.COM



CONFORMS TO ASME STANDARDS Y14.5-2009

-STANDARD TOLERANCES- -ALL DIMENSIONS IN INCHES [mm]-	
.X±0.1	TOTAL RUNOUT: .005 FIM CORNER BREAK: .001/.010 SURFACE FINISH: 125 µIN
.XX±0.01	
.XXX±0.005	
.XX°±1°	
DENSITY: 0.071 LBM/CU IN MASS: 3.459 LBM SURF AREA: 597.817 SQ IN VOLUME: 48.739 CU IN	

DESIGNED BY: Larry Erdkamp
DRAWN BY: Jason Moran
APPROVED:
SCALE: 2:3
SIZE: B
MATERIAL: Material <not specified>

		23860 KZ PARKWAY GREENWOOD, NE 68366 USA PHONE: +1.402.944.2767 FAX: +1.402.944.2402	
		TITLE: ACTUATED VALVE, EH3, 3/4", 3-WAY SL, 1.5SEC@12VDC	
PART NO: F3E23-10D20-P31	REV: 1		
DRAWING NO: SALES_F3E23-10D20-P31	SHEET: 1 OF 1		

4

3

2

1