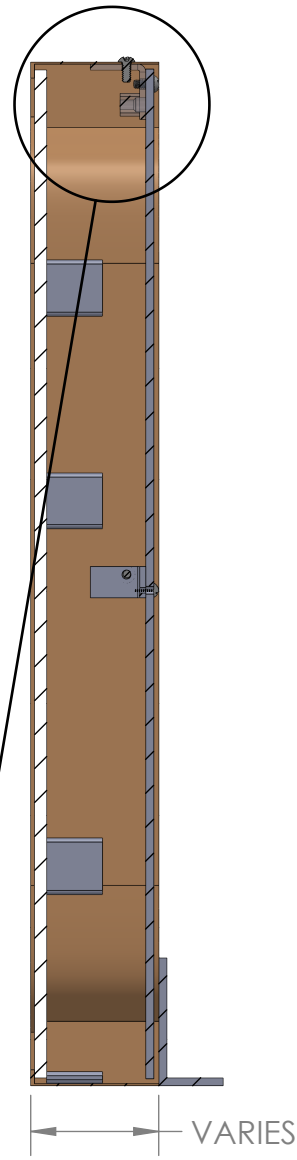
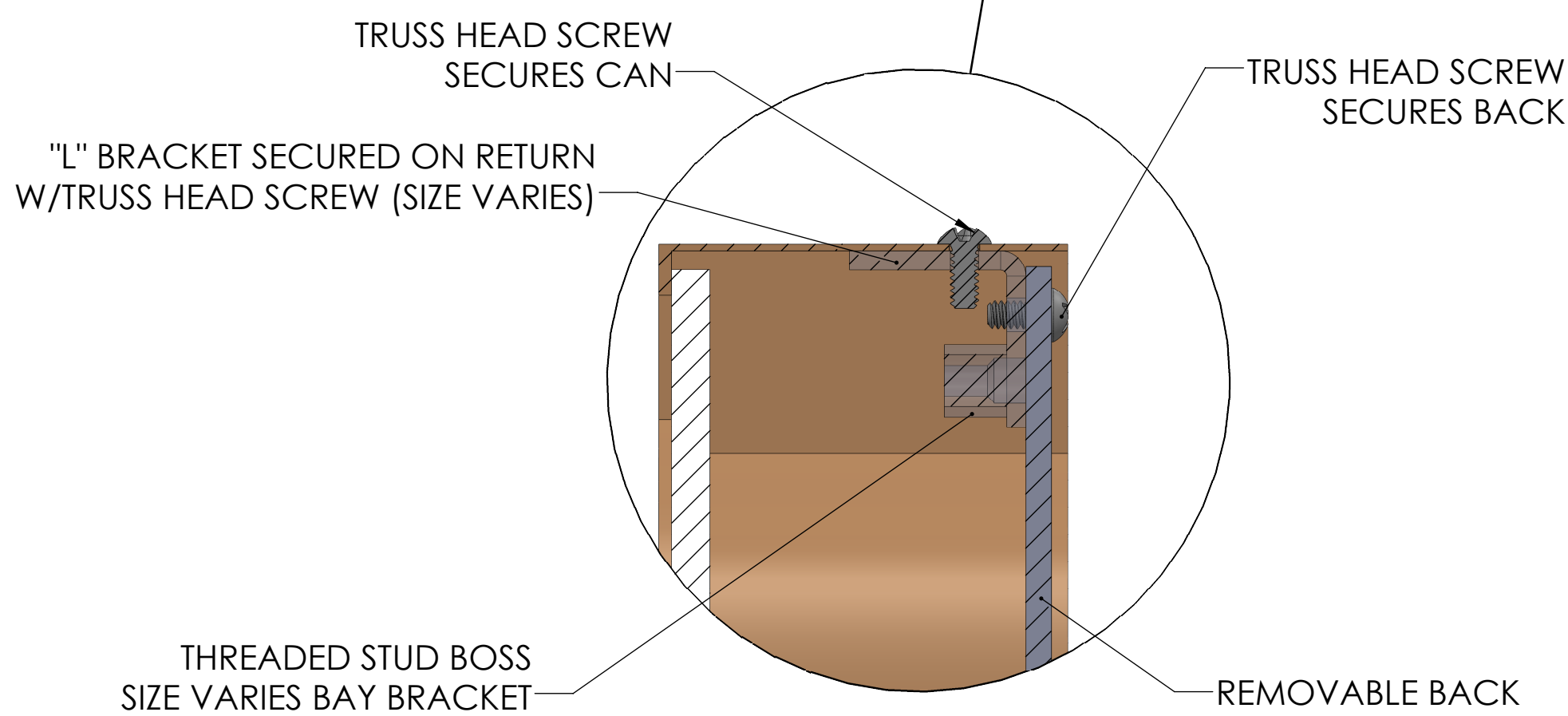


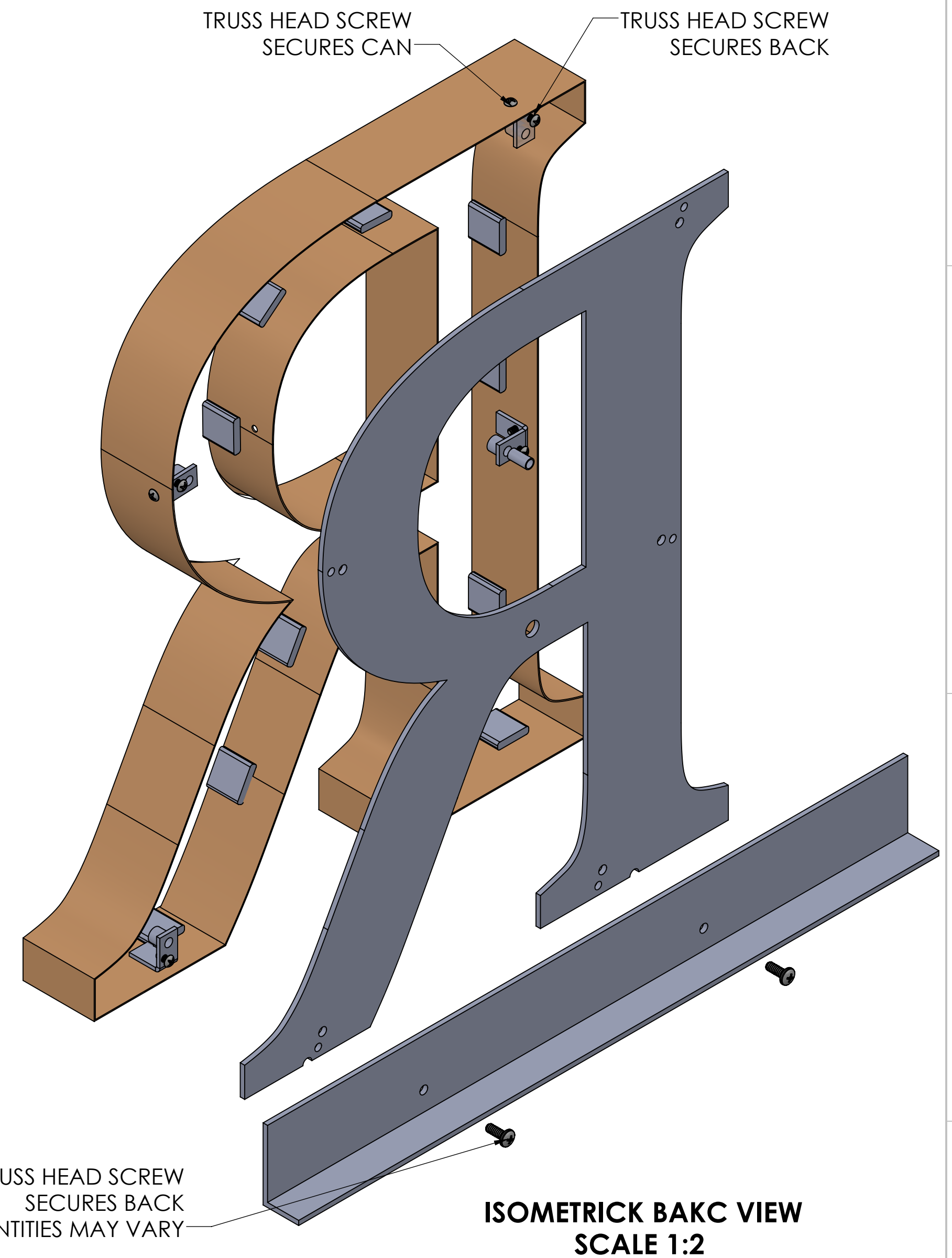
FRON VIEW
SCALE 1:3



SECTION E-E
SCALE 1 : 3



DETAIL F
SCALE 2 : 1.5



ISOMETRICK BAKC VIEW
SCALE 1:2

NOTES:
TIE BACKS REQUIRED (NOT SUPPLIED) ON LETERS >8" HIGH
MATERIAL OPTIONS
STANDARD - 304 STAINLESS STEEL
OPTIONAL- 316 STAINSS STEEL (MORE CORROTION RESISTANT)
-304 PREFINISHED STAINLESS STEEL WITH TITANIUM

PROPRIETARY AND CONFIDENTIAL
THE INFORMATION CONTAINED IN THIS
DRAWING IS THE SOLE PROPERTY OF
GEMINI INC. ANY
REPRODUCTION IN PART OR AS A WHOLE
WITHOUT THE WRITTEN PERMISSION OF
GEMINI INC IS
PROHIBITED.

TITLE: METAL FACE- WITH BACK FOR LEDS ANGLE BRACKET MOUNT			
MATERIAL: STAINLESS STEEL		PRODUCT TYPE: FABRICATED METAL	
DWG NO. FABL200	REV: 03/23.22	SCALE: AS INDICATED	SHEET 3 OF 3