

FPM10A to NodeMCU ESP8266:

GND (Black) to G
RX (Purple) to D7
TX (Blue) to D4
VCC (Red) to 3v

Rotary Encoder Ky-040 to NodeMCU ESP8266:

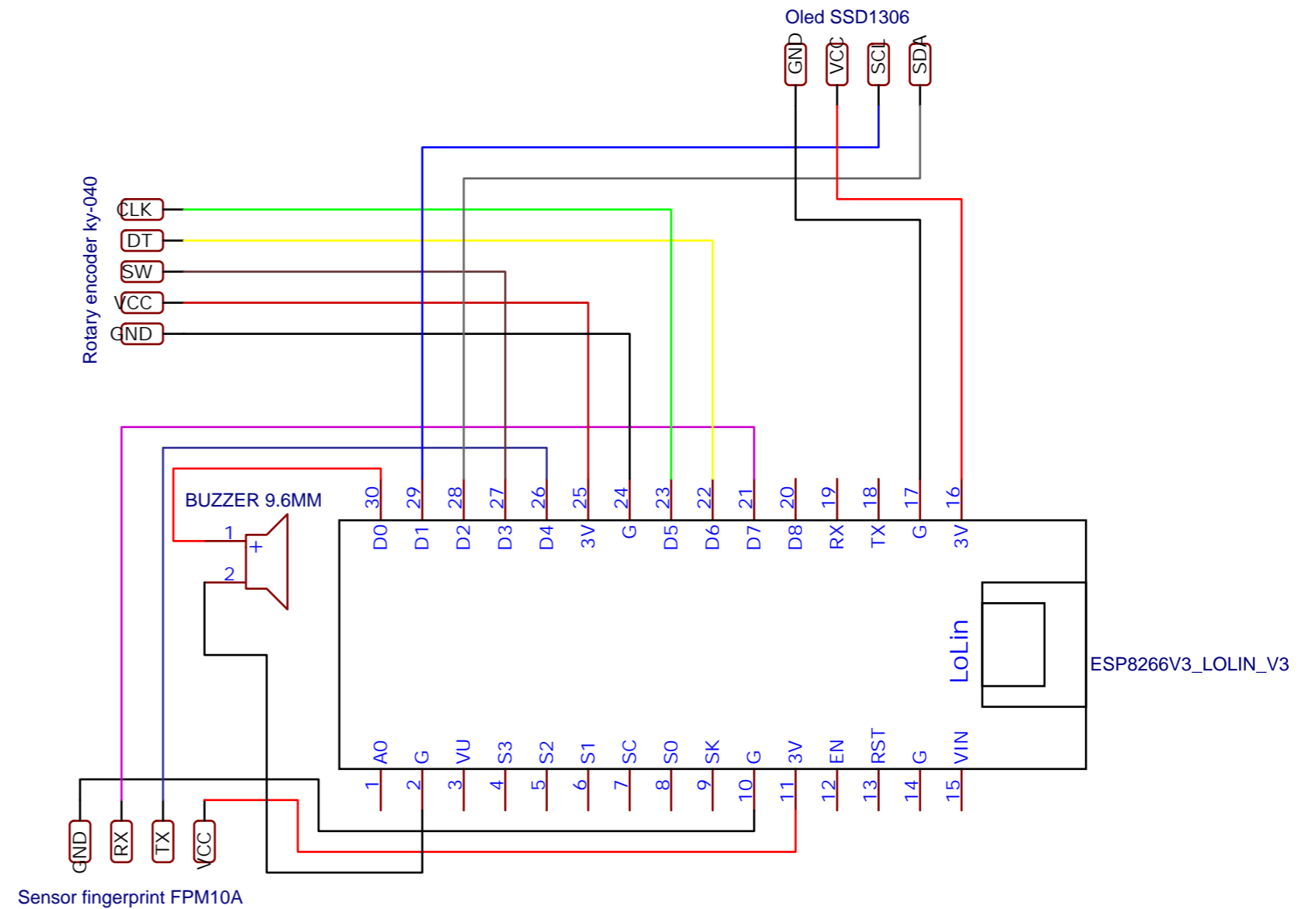
CLK (Green) to D5
DT (Yellow) to D6
SW (Brown) to D3
VCC (Red) to 3v
GND (Black) to G

Oled to NodeMCU ESP8266:

GND (Black) to G
VCC (Red) to 3V
SCL (Blue) to D1
SDA (Silver) to D2

Buzzer to NodeMCU ESP8266:

+ (Red) to D0
- (Black) to G



TITLE: Schematic Biometric Attendance System		REV: 1.0
EasyEDA	Company: PT. Ruang Cipta Teknologi	Sheet: 1/1
	Date: 2021-12-31	Drawn By: Yosias Ruliano Pioh