



Adjutant Parts

DIAGRAM #	PART NO.	DESCRIPTION
1	1ADJ	Spring Tension Knob
2	2ADJ	Height Adjustment Knob (Steel)
2A	2AADJ	Mounting Block
3	3ADJ	Threaded Shaft with Base Roller Bushing
3A	3AADJ	Threaded Shaft Spring
4-20	4-20ADJ	Top Roller Cover Guard - 20"
4-32	4-32ADJ	Top Roller Cover Guard - 32"
4-42	4-42ADJ	Top Roller Cover Guard - 42"
4A-20	4A-20ADJ	Top Roller (Rubber) - 20"
4A-32	4A-32ADJ	Top Roller (Rubber) - 32"
4A-42	4A-42ADJ	Top Roller (Rubber) - 42"
5	33COL	On/Off Pilot Light
6	35COL	On/Off Knob
6A	35ACOL	On/Off Switch (same as Colonel)
7-20	7-20ADJ	Bottom Roller Cover Guard - 20"
7-32	7-32ADJ	Bottom Roller Cover Guard - 32"
7-42	7-42ADJ	Bottom Roller Cover Guard - 42"
7A-20	7A-20ADJ	Bottom Roller (Steel) - 20"
7A-32	7A-32ADJ	Bottom Roller (Steel) - 32"
7A-42	7A-42ADJ	Bottom Roller (Steel) - 42"
7B	7BADJ	Bottom Roller Bushing - Left or Right Side
8-20	8-20ADJ	Base Platform - 20"
8-32	8-32ADJ	Base Platform - 32"
8-42	8-42ADJ	Base Platform - 42"
9	9ADJ	Height Scale with Pointer
10	10ADJ	Drive Guard Cover
11-20	11-20ADJ	Feed Table - 20"
11-32	11-32ADJ	Feed Table - 32"
11-42	11-42ADJ	Feed Table - 42"

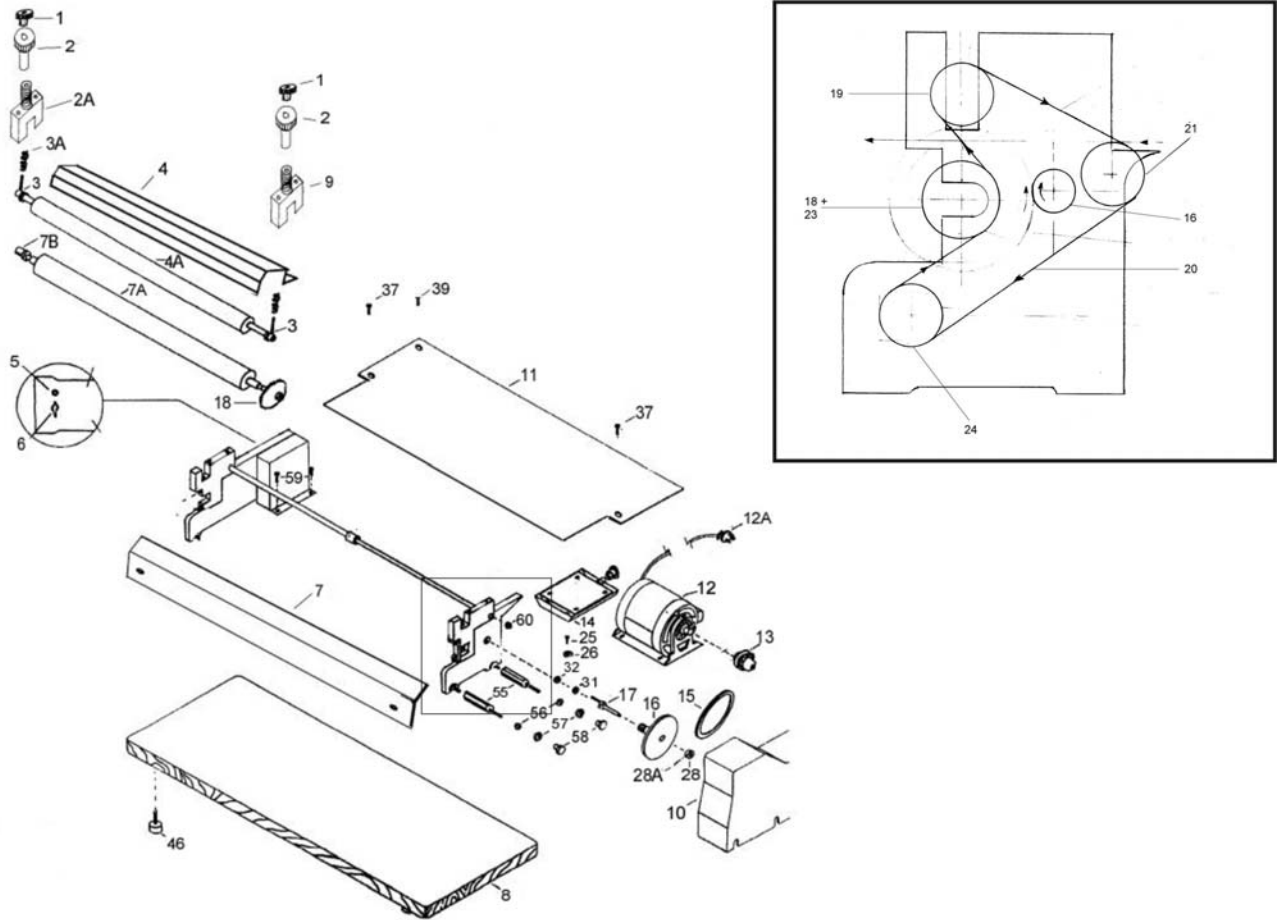


Adjutant Parts List

DIAGRAM #	PART NO.	DESCRIPTION
12	12ADJ	Motor - 1/6 HP - 110 Volt A/C
12-220	12-200ADJ	Motor - 1/3HP - 220 Volt A/C
12A	12AADJ	Motor Junction Box (1/6/ HP)
13	13ADJ	Variable Speed Pulley - 3/8" for 1/6 HP Motor
13-220	13-200ADJ	Variable Speed Pulley - 1/2" for 1/3 HP Motor
14	24COL	Variable Speed Mounting Plate for 1/6 HP Motor Only
15	15ADJ	Drive Belt - #2L280 for 1/6 HP Motor
15-220	15-200ADJ	Drive Belt - #2L270 for 1/3/ HP Motor
16	28+29COL	Flywheel with Pinion Gear
17	30+31+32COL	Eccentric Shaft with Locknut & Washer
17A	17AADJ	Eccentric Shaft Collar (Only)
18	18ADJ	Fiber Drive Gear
19	19ADJ	Chain Wheel 3/8"-12
20	20ADJ	Chain 2191
21	21ADJ	Chain Wheel 3/8" -12
23	23ADJ	Chain Wheel 3/8" -12
24	24ADJ	Chain Wheel 3/8" -10

February 2005

ADJUTANT SCHEMATIC DIAGRAM



Inset diagram on upper right (and photo below) is only for machines with chain driven upper roller sold on machines from 2005 and later.

