

GOBI NISSAN XTERRA 00-04 FULL SIZE ROOF RACK INSTALLATION INSTRUCTIONS

Guidelines:

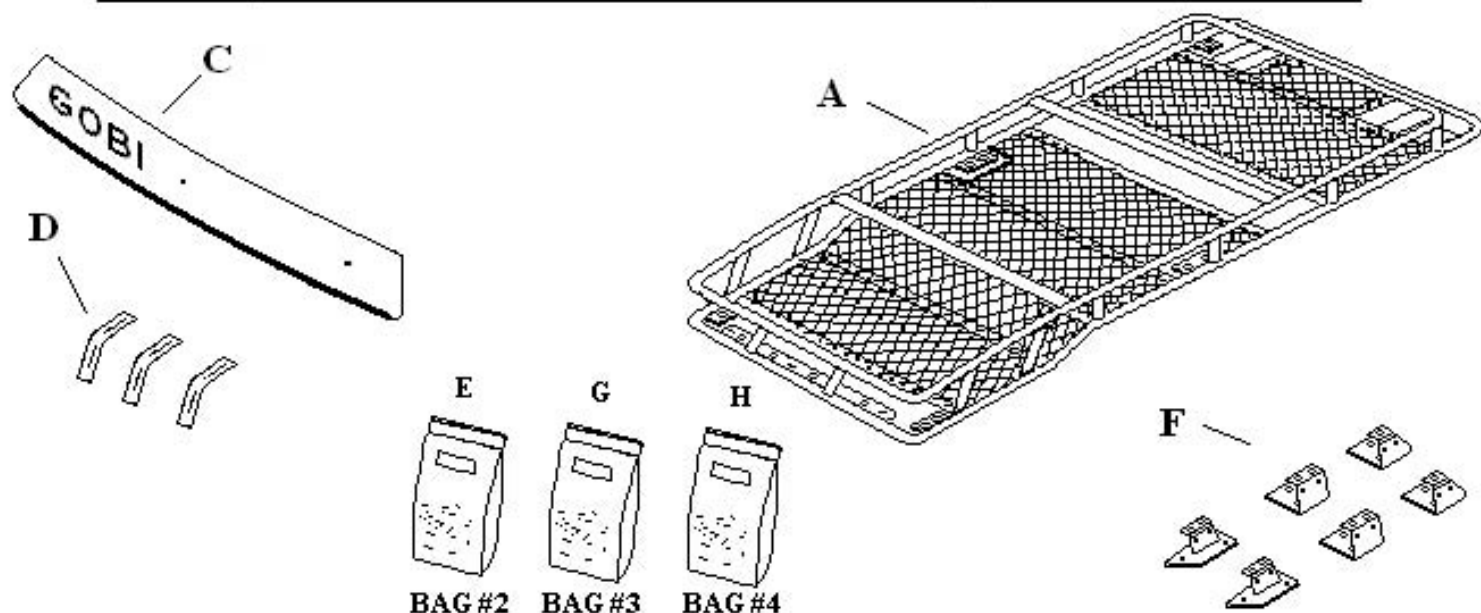
When using Load Carriers and Accessories, the user must understand the precautions. The points listed below will assist you in using the rack /carrier system and will encourage safety.

- For quality fits and safty, use only the recommended rack or accessory. Do not assume an accessory will fit, always check with dealer when obtaining new accessories. Use only approved accessories on load carriers. Using other brands will void your warrenty.
- Make sure all knobs, bolts, screws, straps, and locks are firmly attached, tightened and locked before every trip. Knobs, bolts, screws, straps, and locks must be periodically inspected for signs of wear, corrosion, and fatigue. Check your load at stops during the trip to insure continued fastening security.
- Check local and state laws governing projection of objects beyound the width of a vehicle. **Be aware of the width and height of your cargo since low clearance branches, bridges, and parking garages can affect the load** All cargo will affect the vehicle's driving behavior. Never drive with any lock, know, or rack in an open or unlocked position. All long loads such as, but not limited to sailboards, surfboards, kayaks, canoes, and lumber must be tied down front and rear to the bumpers or tow hooks, of the vehicle.
- Remove your rack accessories when they are not in use, before intering car washes, prior to taking in your vehicle for service, and whenever clearance may be an issue.
- All locks must be turned and moved periodically to insure smooth operation. Use graphite or similar dry lubricant to help this. Locks are designed to deter vandalism and theft. Remove valuable gear if your vehicle is unattended for an extended period. Place at least one key in the glove compartment.
- For safety to your vehicle and rack system, obey all posted speed limits and traffic cautions. Adapt your speed to the conditions of the road and the load being carried.
- Do not use load carriers and accessories for purposes other than those for which they were designed. Do not exceed their carrying capacity.
- Consult with your dealer if you have any questions regarding the operations and limits of this product. Review all instructions carefully.

GOBI NISSAN XTERRA 00-04 FULL SIZE ROOF RACK INSTALLATION INSTRUCTIONS

Included in kit

Letter	Description	Location	Quantity
A	GOBI NISSAN XTERRA 00-04 FULL SIZE ROOF RACK	Main box	1
B	FAIRING RUBBER PROTECTIVE STRIP	pre-assembled	1
C	FAIRING	banded to rack	1
D	FAIRING BRACKETS (pre-assembled to fairing)	pre-assembled	3
E	FAIRING BRACKET HARDWARE CONTENTS: 3- 1/4-20x1 black zinc button bolt 6- 1/4" black washer 3- 1/4-20 nut	BAG #2 Hardware Box	1
F	GOBI SUPPORT BRACKETS 2- #8 Adjustable height Rear brackets 2- #8a Center brackets 2- #8b Adjustable height Front brackets	Hardware Box	6
G	GOBI ROOF MOUNT BRACKET HARDWARE CONTENTS: 14- 6mm x 35mm Button head mounting screw 14- 5/8" Stainless water proof washers 1- M-4 Metric allen wrench	BAG #3 Hardware Box	1
H	GOBI RACK BRACKET HARDWARE CONTENTS: 10- 3/8-16 x 1" SS bolt 20- 3/8" SS flat washer 10- 3/8" SS Nut 6- Rubber pads black	BAG #4 Hardware Box	1



GOBI NISSAN XTERRA 00-04 FULL SIZE ROOF RACK

INSTALLATION INSTRUCTIONS

The rack must be inspected before each use to make certain attachments are secure, and for evidence of Wear. Misuse of the rack or failure to observe the manufacturer's instructions as to installation, proper Attachment and maintenance will void any warranties that may be implied by law.

INSTALLATION INSTRUCTIONS:

- 1- Prior to install read all instructions carefully then refer to page 2 and make certain all parts are present before installation procedure.
- 2- If your vehicle should have the Original Equipment roof rack still attached it must be removed at this time. Using a number T-30 torx wrench remove all 4 screws holding the farring or air dam to the roof rack then remove the farring. Continue by removing all 12 torx button head screws holding the roof rack to the vehicle roof top. Once all screws have been removed pull the roof rack up and off the vehicle roof top. You may want to clean the vehicle roof top at this time.
- 3- Refer to page 5 Fig. 4 and assemble together all roof rack mounting brackets 8, 8a and 8b a passenger and drivers side bracket of each. Begin by attaching bracket 8 "Rear Drivers Side" as shown in Fig. 3 page 5 lay the padded side of the mounting bracket on the vehicle roof top with mounting holes faced towards the vehicle center, then use the 6mm x 35mm screws and water proof washers (black rubber side down) located in **Plastic Bag #3** supplied with your kit and thread screws first through the mounting bracket then into the roof top threaded inserts. Do not fully tighten the screws at this time, leave screws loose enough for mounting bracket adjustment. Continue the same procedure to Fig. 2 and Fig. 1 page 5, then continue to the passenger side and complete the remaining 3 bracket attachments in the same manner.
- 4- After all mounting brackets have been installed loosen (but leave snug) bolts 8c of both the Front brackets 8b and Rear brackets 8 as shown on page 5 Fig. 1 and 3 to allow for height adjustment. Place roof rack #11 as shown in Fig. 5 page 6 onto all 6 mounting brackets 8, 8a and 8b. Place rubber pads #10 between all mounting brackets and the roof rack welded in Flanges 11a. Continue by installing the 3/8" x 1" bolts, washers and nuts supplied in your kit **Pastic Bag #4** through all welded in Flanges 11a and mounting brackets as shown in Fig.4 page 5. Do not fully tighten at this time leave bolts loose enough for adjustment.
- 5- Align the Gobi roof rack with the vehicle then tighten all mounting brackets 8, 8a and 8b to the vehicle roof top using screws #9 as shown in Fig. 3 page 5, tighten firmly but do not over tighten. Continue by fully tightening the Gobi roof rack to all mounting brackets using bolts #12 as shown on page 5 Fig. 4.
- 6- Refer to page 5 Fig. 3 and Fig. 1 fully loosen all bolts 8c of both the Rear brackets 8 and Front brackets 8b, this will remove any tension which may be present between the Gobi roof rack and the vehicle roof top. After the tension has been removed retighten all 8c bolts on the rear brackets 8 and Front bracket 8b as shown on page 5 Fig. 3. All bolts on the entire Gobi roof rack should now be fully tightened.

GOBI NISSAN XTERRA 00-04 FULL SIZE ROOF RACK INSTALLATION INSTRUCTIONS

The rack must be inspected before each use to make certain attachments are secure, and for evidence of wear. Misuse of the rack or failure to observe the manufacturer's instructions as to installation, proper attachment and maintenance will void any warranties that may be implied by law.

INSTALLATION INSTRUCTIONS CONTINUED:

- 7- Refer to page 6 Fig 5 installation of the roof rack farring. Using the hardware found in **Plastic Bag #2** begin by attaching the pre assembled farring to the Gobi roof rack use the center bracket #4 as shown in Fig. 5 page 6 to the #5 front light bar of the Gobi roof rack. Leave a gap of approximately 1-1/2" inch between the Gobi rack and the farring #2 as shown in Fig. 6a page 6 and fully tighten. Continue to either side of the farring and align the #4 farring bracket to the outer slots in the Gobi rack light bar. The slots may seem to be out of place but this is by design, bow the farring back towards the Gobi roof rack as indicated in Fig. 6 F and G install the nut and bolt thru the farring bracket #4 and the #5 Gobi light bar and finger tighten at this time. Apply the same procedure to the opposite side of the farring. Using an additional person have them press directly down and firmly onto the bend of the farring bracket #4 while you tighten down the farring bracket as shown in Fig. 6a this will provide a tight bond between the farring and the vehicle roof. If a small gap should appear between the farring and the roof top loosen up the center bracket then re-tighten or move down the rubber strip to seal the gap.

GOBI NISSAN XTERRA 00-04 FULL SIZE ROOF RACK INSTALLATION INSTRUCTIONS

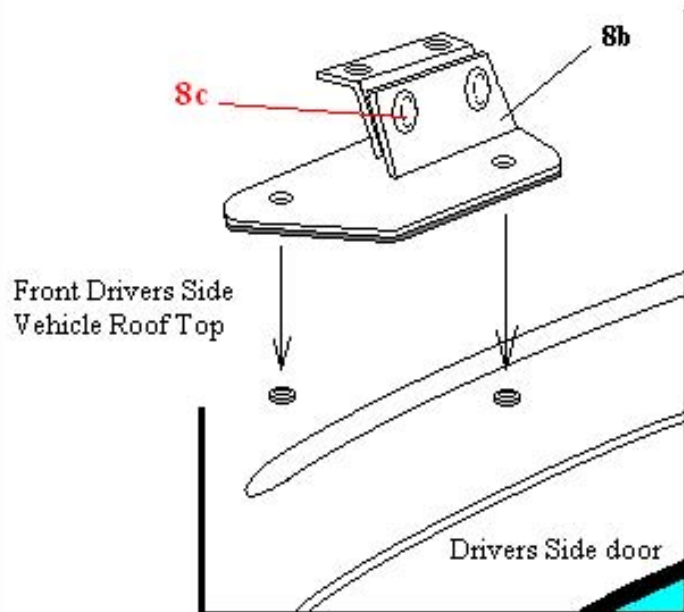
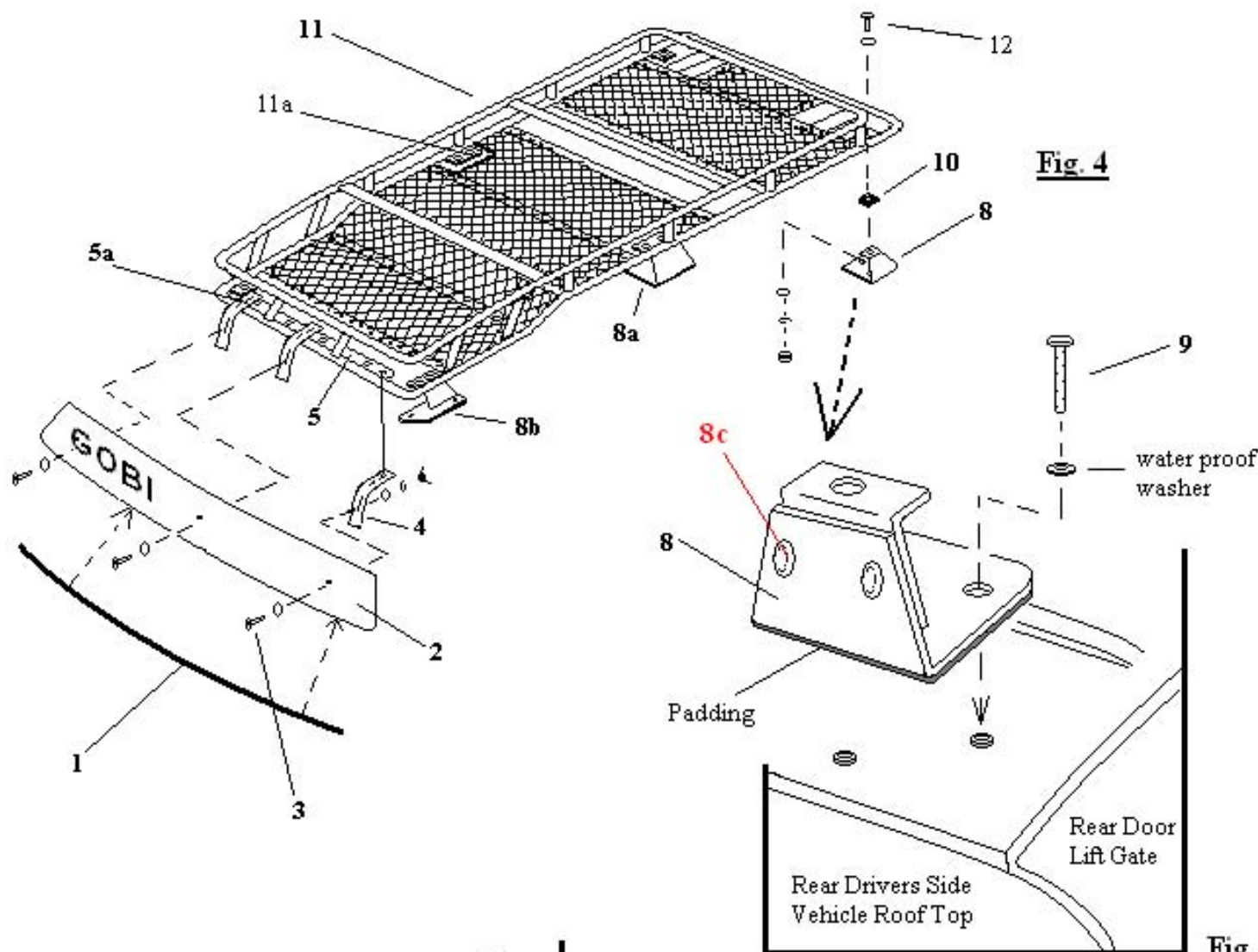


Fig. 1

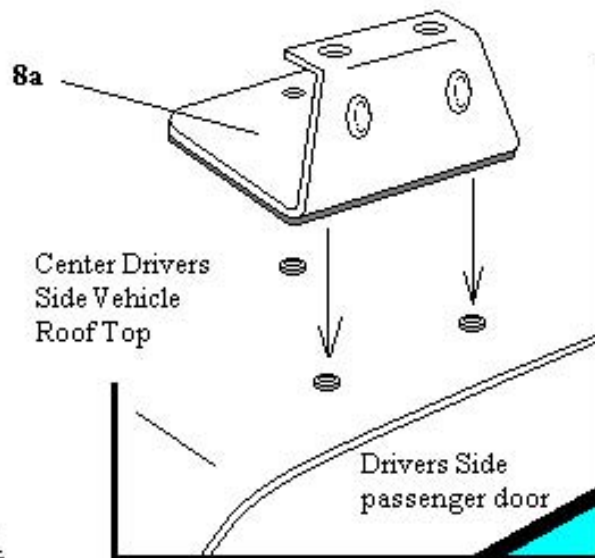


Fig. 2

GOBI NISSAN XTERRA 00-04 FULL SIZE ROOF RACK INSTALLATION INSTRUCTIONS

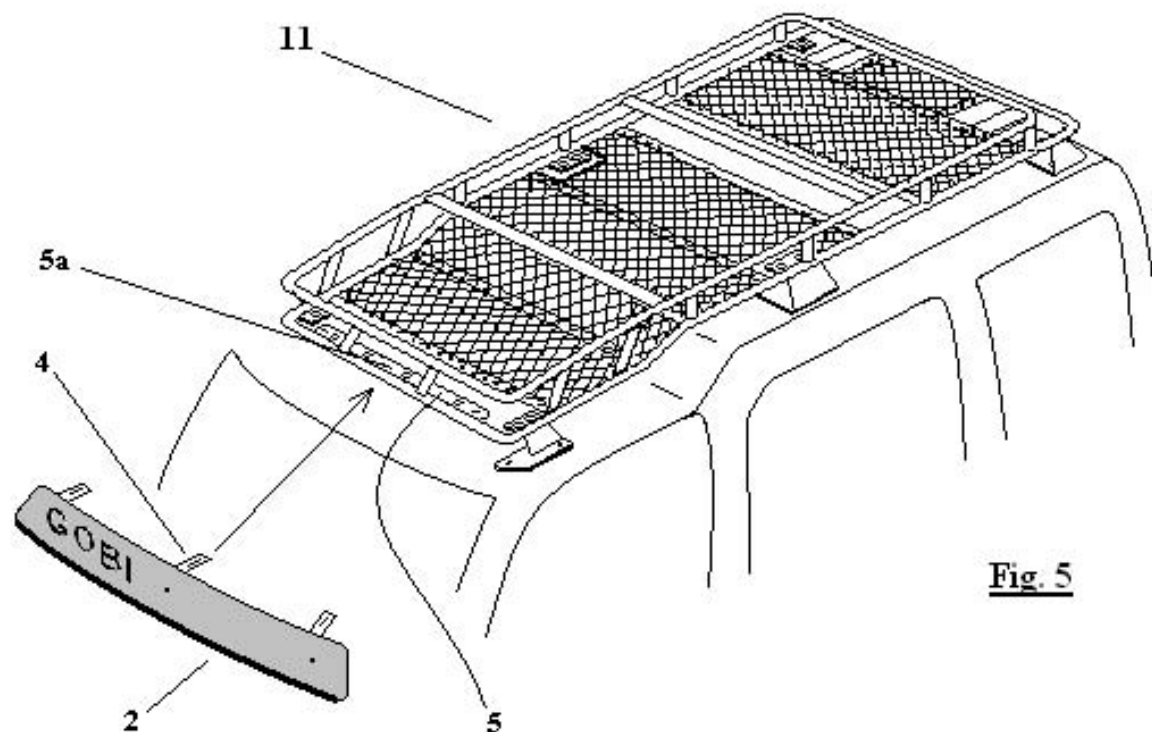


Fig. 5

Apply pressure down at
this point when tightening
all 3 brackets

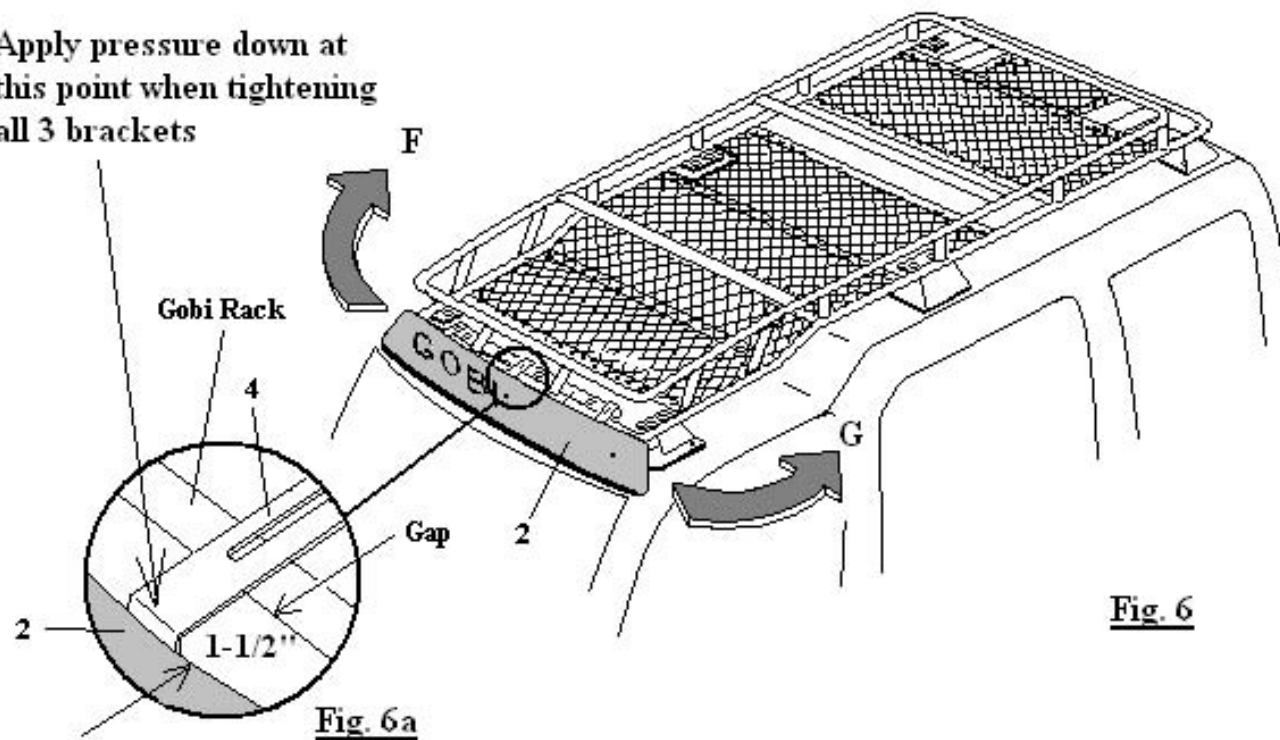


Fig. 6