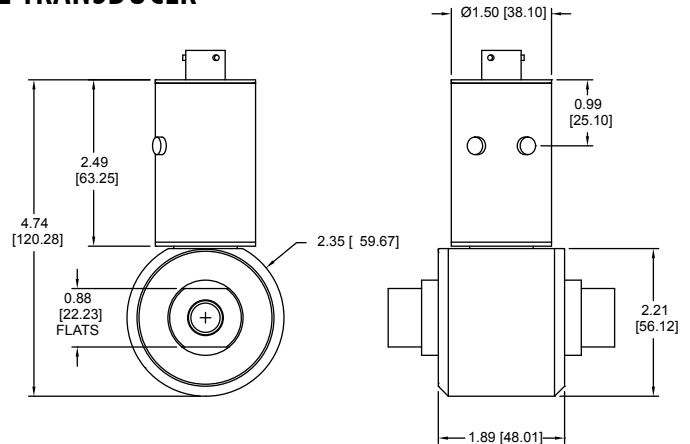


MODEL 216 / 316
LOW RANGE HIGH LINE
DIFFERENTIAL PRESSURE TRANSDUCER



STANDARD WIRING

PIN	MODEL 216	MODEL 316
1/RED	+EXC	+EXC/SIG
2/GRN	+SIG	N/C
3/WHT	N/C	N/C
4/BLK	-EXC/SIG	-EXC/SIG
5/BLU	N/C	N/C
6/BRN	N/C	N/C
SHIELD	OPEN	OPEN



**REF DIMENSIONS ONLY.
CONSULT FACTORY FOR ACTUAL DIMENSIONS.**

PRODUCT OVERVIEW:

The Model 216/316 from GP:50 is a family of low range, high line, differential pressure transducers. Their compact design incorporates GP:50's own digital correction circuit technology, for high accuracy and extended service life across a variety of applications.

FEATURES:

- 2.5" WCD thru 200 PSID (14 BAR)
- Up to 5K PSI (345 BAR) line pressure options available
- Up to ±0.05% FSO accuracy
- Unidirectional and bidirectional outputs
- Wet/wet design
- All welded 316L stainless steel wetted parts
- Compact size

APPLICATIONS:

- Automotive test stands
- Leak decay
- In-laboratory R&D
- Energy management
- Emissions management
- HVAC

FIELD OPTIONS:

- Temperature and line pressure outputs available
- Wide selection of process and electrical connections
- Submersible options (Meets IP67)
- Alternate wetted materials
- Custom calibrations

GP:50 MODEL 216 / 316

REFERENCE SPECIFICATIONS

(Standard configurations shown, consult factory for other options)

ELECTRICAL	
Output Signal: (at +70 °F)	(Model 216) 0 to 5 Vdc, 0 to 10 Vdc (Model 316) 4-20 mA
Excitation Voltage:	9.0 to 32 Vdc
Connection:	36" long PVC jacketed, 18 AWG, 4 conductor cable (or equivalent)
Circuit Protection:	RFI, EMI & Reverse polarity protected
Response Time:	10 mSec Typ

MATERIALS OF CONSTRUCTION	
Wetted Parts:	316 Stainless Steel (Hastelloy available)
Housing:	316L Stainless Steel
Internal Fill:	Silicone (other options available, consult factory)

ACCURACY (BFSL): Hysteresis, Non-Linearity & Repeatability @ +70 °F	
Standard:	±0.5% FSO
Improved:	±0.2% FSO, ±0.1%, and ±0.05% FSO
Zero & Span Balance:	Adjustable to ±10% FSO

MECHANICAL	
Process Connection:	1/4" NPT (F)
Proof Pressure:	500 PSI (35 BAR) single ended
Burst Pressure:	750 PSI (52 BAR) for welded port; 2.5K PSI (172 BAR) w/Flanges
Static Line Pressure:	
Standard Flanges:	2K PSI (138 BAR)
Optional Flanges:	5K PSI (345 BAR)
Welded Ports:	500 PSI (35 BAR)
Static Line Shift:	<±1.0% FSO/1000 PSI for ranges >20" WC <±2.0% FSO/1000 PSI for ranges ≤20" WC
Orientation Shift (90°):	Up to 6%, range dependent
Approximate weight:	2.0 lbs (0.06 kg)
Environmental:	Designed to IP67 (some options may affect this)

PRESSURE RANGES	
2.5" WCD thru 200 PSID (alternate ranges available)	

THERMAL SPECIFICATIONS	
Operating Range:	0 °F to +185 °F (-17.7 °C to + 85 °C) (Unit will operate to -40 °F with delayed response time)
Compensated Range:	+32 °F to +180 °F (0 °C to +82 °C)
Storage Ambient:	-20 °F to 200 °F (-29 °C to +93 °C)
Effects on Zero & Span:	±0.5% FSO/100 °F ±0.3% FSO/100 °F with 0.05% accuracy
Improved or expanded temperature compensation available	

DIFFERENTIAL PRESSURE

