

LBSWPDLEEMC3

L70
25°C

84,000 Hours

Element Outdoor Decorative LED Emergency Light

The LBSWPDLEEMC3 Element Outdoor Decorative LED Emergency Light with integral battery backup provides down lighting with a uniform distribution designed to replace compact fluorescent lighting systems. Typical wall mounted applications for variety of project types provides security lighting near doors and entrances with integral photocell or switching control. Mounting heights of 8 to 12 feet can be used based on light level and uniformity requirements.

Specifications and Features:

Housing:

Durable and Vandal-Resistant Die-Cast Aluminum Housing with 1/2" Coin Plugs for Conduit. Includes Integrated Photocell, Switchable Between Photocell or Wall Switch Control. Low Profile, ADA Compliant.

Listing & Ratings:

CSA: Listed for Wet Locations. IP65

Finish:

Textured Architectural Bronze Powdercoat Finish Over a Chromate Conversion Coating. Custom Colors Available Upon Request.

Lens:

UV-Stabilized Prismatic Polycarbonate Lens

Mounting Options:

Wall Mount Over a Recessed Junction Box or Use 1/2" Surface Conduit.

COB LED:

QSSI Cool Copper COB

Wattage:

COB: 10w, System: 11.5w

Driver:

Electronic Power Supply, 120-277V, 50/60Hz; Less Than 20% THD and PF>0.90, Non-Dimming.

Battery Backup:

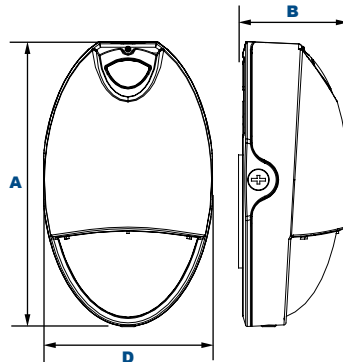
- NiCad Battery Backup (4.8V, 2500mAh). Supplies 90 Minutes of Emergency Operation.
- 170 Lumen Output in Emergency Mode.
- Self-Test/Self Diagnostics Included.
- Low-Voltage Battery Disconnection Prevents Deep Battery Discharge Damage.
- 24 Hour Recharge After 90 Minute Discharge.

Controls:

Fixtures with Factory-Installed Photocell are Internally Wired for Switching. Fixtures are NOT Designed for Use with Line Voltage Dimmers.

Warranty:

5-Year Warranty for -20°C to +40°C Environment



Dimensions

Width (D)	6 1/4" (157mm)
Length (B)	3 3/4" (98mm)
Height (A)	10 1/2" (265mm)

Order Information Example:

WPDLEEMC310D5KZ

WPDLEEMC3	10	D	5K	
Model	Wattage	Driver	CCT	Color
LBSWPDLEEMC3= Element Outdoor Decorative LED Emergency Light	10=10w	D=120-277V	5K=5000K	Z=Bronze C=Custom (Consult Factory)

Project Information:

Project Name: _____ Fixture Type: _____

Complete Catalog #: _____ Date: _____

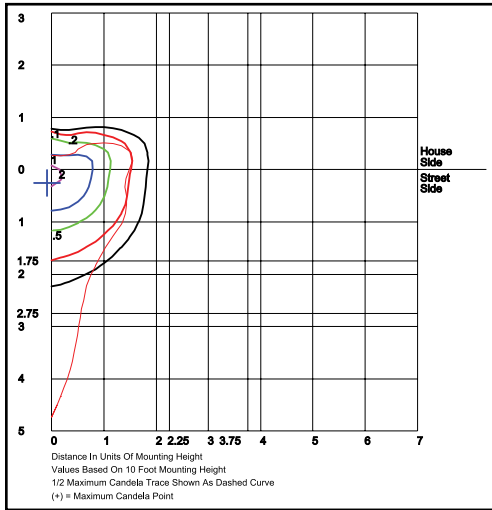
Comments: _____

Certification & Listings:

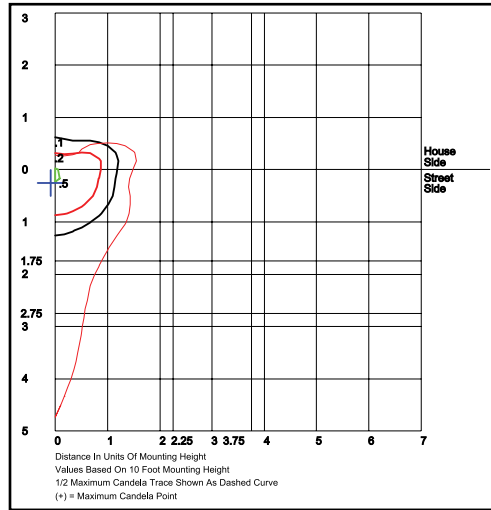


Element Outdoor Decorative LED Emergency Light

Photometric Data



LBSWPDLEDMC310D5K Type IV



LBSWPDLEDMC310D5K Type IV, Battery Mode

Photometric Performance

LED Board Watts	Drive Current (mA)	Input Watts	Optics	5000 CCT 80 CRI				
				Lumens	LPW	B	U	G
LED COB 10w	700	12	Type IV	729	61	0	3	1
LED COB 10w (Battery Mode)	700	2	Type IV	170	85	0	2	0