

# AREZZO

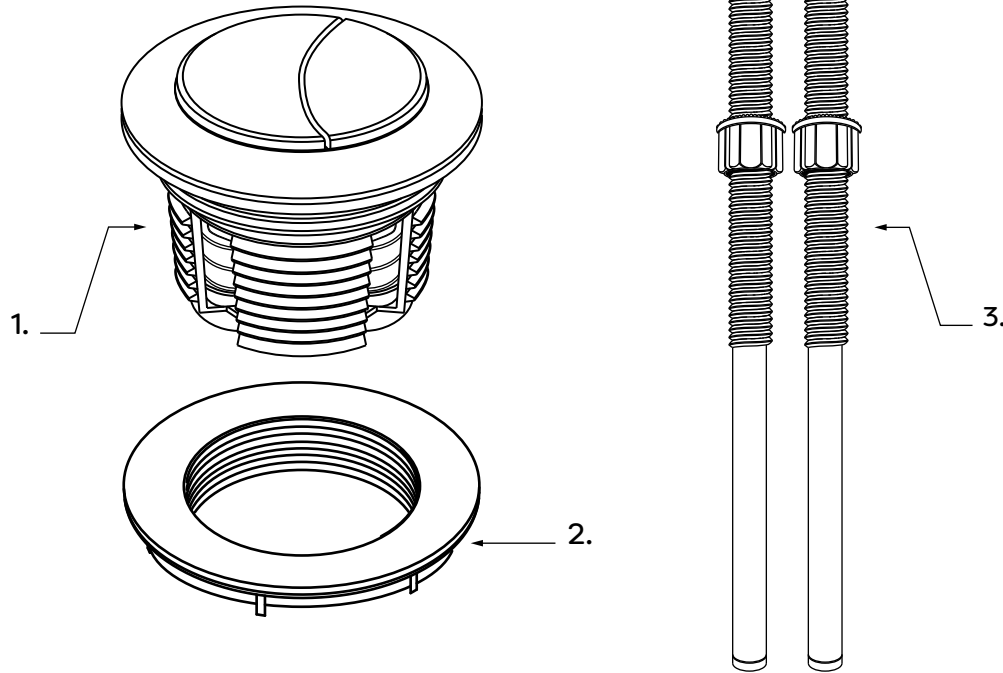
## Push Button Kit for Close Coupled Cisterns

### Before you Begin:

- This instruction shows how to fit the Push button kit . Ensure the chosen button kit is applicable to your chosen cistern and is the correct size for the cistern hole.
- Unpack the product then read these instructions before proceeding. Inspect the product for damage. If any damage is found, contact our Customer Relations team.

①

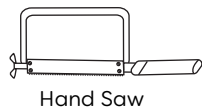
\*Make sure that all components are present prior to installation.\*



### Fitting List:

1. Push Button
2. Back Nut
3. Push Rods (X2)

### Tool Required (Not Supplied)



Hand Saw

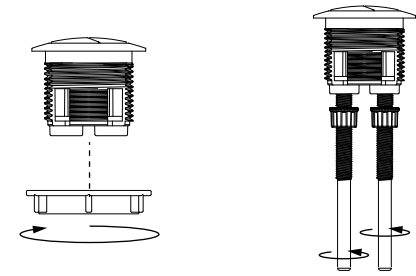
**Note:** Diagrams are for illustration purposes only. Your Push Button may superficially differ from this drawing however the installation guide steps still apply.

### Recycling and Disposal:

- Please recycle the packaging in accordance with your local government regulations on waste handling and follow the same advice at the end of the products life.

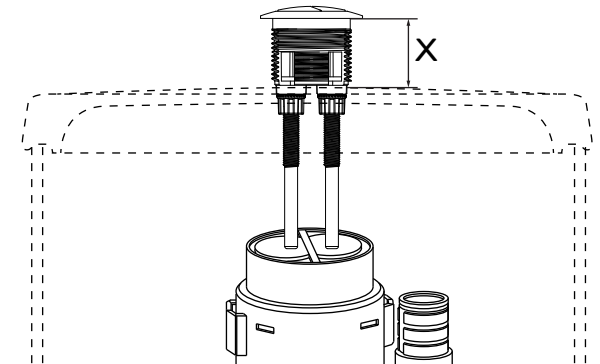
②

Unscrew the back nut from the push button, then screw the plastic flush rods into the push button. Tighten the small nuts on the push rods to secure in place.



③

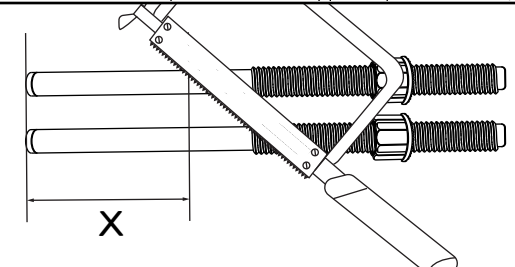
Place the assembly through the hole in the cistern lid and fit the lid to the tank. When the rods touch the syphon, measure the height 'X'.



④

Unscrew the rods and cut down by the dimension 'X', at the end that will touch the syphon.

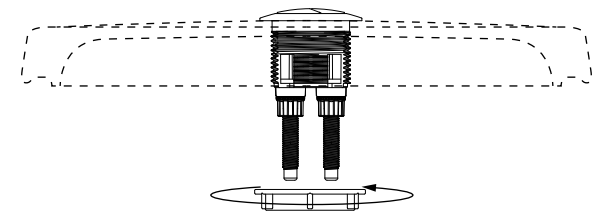
**Note:** These should be cut so that there is a 2mm minimum gap between the end of the rod and the button of the syphon.



⑤

Screw the rods back into push button and re-fit the rubber sleeves, then fit the nut and tighten.

Place the push button through the hole in the cistern lid, aligning the large button with the full flush button on the syphon. Operate several times to ensure it functions correctly.



### Cleaning and Aftercare:

- **Warning:** Do not use abrasives, scourers, bleach or any type of chemical cleaning solution when cleaning the Push button kit. It is recommended to use warm soapy water and a clean damp cloth.

For more information visit: [www.victorianplumbing.co.uk](http://www.victorianplumbing.co.uk)