

SOLID FUELED BOILER DUMP ZONE VALVE

Automag zone valve's normally open design make them ideal for use as a dump zone control valve on piping systems for Solid Fueled Boilers. When there is no power to the Automag zone valves they quickly go to their normal open position, allowing water to flow.

The "AA" model Automag zone valve with the Automag "AC Option" wired to it is powered directly by a 24 volt AC transformer (see Fig. 1). If there is a power outage and power is cut to the transformer, the zone valve will open allowing hot boiler water to flow. The "AA" model Automag zone valves require 24 volt DC to operate. The "AC Option" includes a rectifier, which converts 24 volt AC to 24 volt DC.

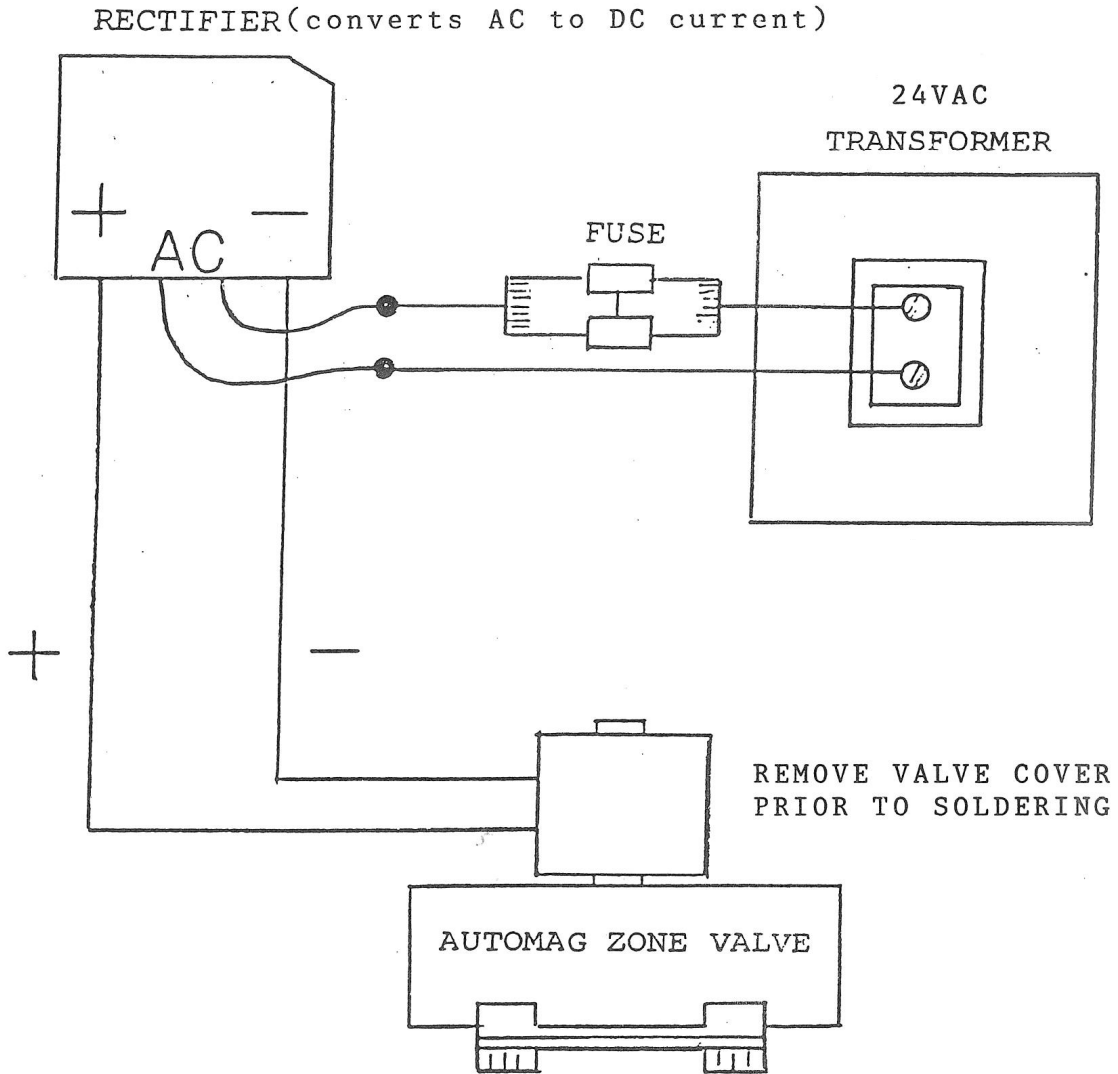
We recommend that the Automag zone valve be installed on a horizontal run of pipe with the zone valve and coil in an upright position.

Fig. 1

The "RI" model Automag zone valve is also a good application for dump zones, especially if you want thermostat or aquastat control over the zone. The "RI" model zone valves are also normally open and should be installed on a horizontal run of pipe with zone valve in upright position.

If using the "RI" model zone valve for dump zone control with thermostat or aquastat input, simple wire 24 volt AC power to the center 2-wire connection point labeled, "POWER".

SOLID FUEL BOILER "DUMP ZONE" VALVE
Opens when the power goes off.



**ZONE VALVE MUST BE INSTALLED ON A
HORIZONTAL RUN OF PIPE WITH THE ZONE VALVE
COIL ON TOP**



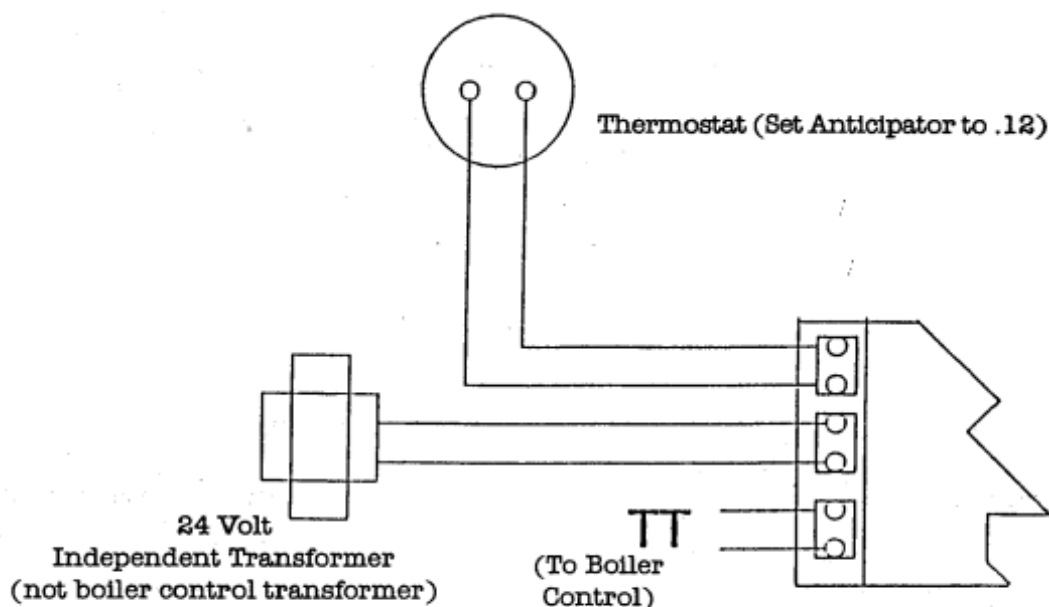
The new Automag replacement zone valve is designed to easily replace other manufacturer's zone valves in existing installations.

The replacement zone valve is easily wired with (3) 2-wire terminal blocks:

- 2-wire thermostat connection
- 2-wire 24 volt AC transformer connection
- 2-wire "TT" End Switch connection
(refer to diagram below)

The replacement zone valve circuit board includes filtered, soft close components that eliminate valve hum and water hammer from instant closure.

Remove valve cover (with circuit board and coil) prior to soldering valve.



IF INSTALLING ZONE VALVE ON A HORIZONTAL PIPE DO NOT INSTALL WITH HEAD/COVER IN A DOWN OR DOWNWARD POSITION.