

IMPORTANT INSTRUCTIONS

When using electrical appliances, basic precautions should always be followed to reduce the risk of fire, electric shock, or injury.

1. Read all instructions carefully before installing or using this heater.
2. To prevent possible electrical shock, personal injury and / or risk of fire, disconnect ALL power coming to heater at main service panel before attempting to wire or service this heating device.
3. All wiring and maintenance must be performed by a skilled and licensed electrician according to current National Electrical Codes (NEC) and in adherence to all applicable state and local requirements.
4. Verify that power supply voltage coming to the heater matches the ratings printed on the heater nameplate before energizing circuit and make certain heater is grounded in accordance with the National Electrical Codes as a precaution against electrical shock.
5. This heater is not suitable for use in hazardous locations as described by the National Fire Protection Association (NFPA). Do not use or store heater with gasoline, paint or other flammable liquids used or stored in the immediate vicinity of the heater.
6. Do not use heater outdoors unless properly installed and used with the optional rain hood weather cover.
7. This heater is not intended for use in bathrooms, laundry areas and similar indoor locations. Never locate heater where it may fall into a bathtub or other water container.
8. To prevent possible injury from falling panels, each must be securely fastened to building structure.
9. This heater is hot when in use. To avoid burns, do not let bare skin touch hot surfaces.
10. CAUTION - high temperature, risk of fire. Keep electrical cords, drapery, furnishings, and other combustibles at least 3 feet (0.91 m)[†] from the front (heat emitting portion) of the heater, 6 inches (152mm) from the rear and 12 inches (304 mm) from the sides. [[†]see Diagrams 1-4 for clarification of safe distances]
11. If heater is to be installed near a door, ensure that door swing will not encroach on the 3 foot radius from the face of the heater.
12. Do not operate heater with damaged wiring or if the heater malfunctions, has been dropped, or damaged in any manner. Disconnect power at service panel and have heater inspected by a reputable electrician before reusing. Return heater to authorized service facility for examination, electrical or mechanical adjustment, or repair.
13. Extreme caution is necessary when any heater is used by or near children or invalids and whenever the heater is left operating unattended.
14. To disconnect heater, turn controls off, then disconnect from power source (at main service panel).
15. Do not insert or allow foreign objects to enter any openings or other holes as this may cause an electric shock or fire, or damage the heater.
16. Use heater only as described in this manual. Any other use not recommended by the manufacturer may cause fire, electric shock, or injury to persons.

This device is intended for use as a space heater to be installed in a permanent, fixed location and is NOT intended for use as a portable or movable heating device.



Crafted with pride in the USA

SAVE THESE INSTRUCTIONS

290 Independence Drive | Union, MO USA 63084 | www.IntekCorp.com

SAVE THESE INSTRUCTIONS

636-584-8500 | Fax 636-584-8503 | Sales@IntekCorp.com

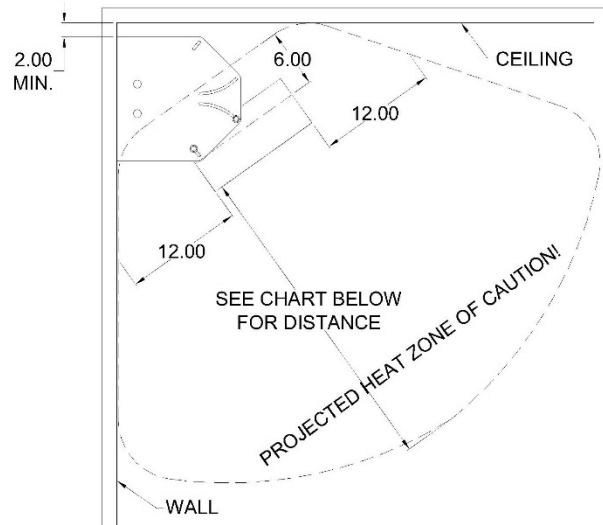


Diagram 1

MINIMUM SAFE DISTANCE		
WATTS/SQ.IN.*	WATTS/SQ.FT.	DISTANCE**
MORE THAN 12.5	MORE THAN 1800	48"
9 - 12.5	1296 - 1800	42"
6 - 9	864 - 1296	36"
3 - 6	432 - 864	30"
LESS THAN 3	LESS THAN 432	24"

* Watts ÷ (Heater Face Length(in.) X Heater Face Width(in.)) = Watts / Sq. In.

** As with all heat producing sources, safe distance must be increased between heat source and items that are more likely to melt.

Examples: Vinyl, wax, soft plastics & nylon (such as jackets and bags).

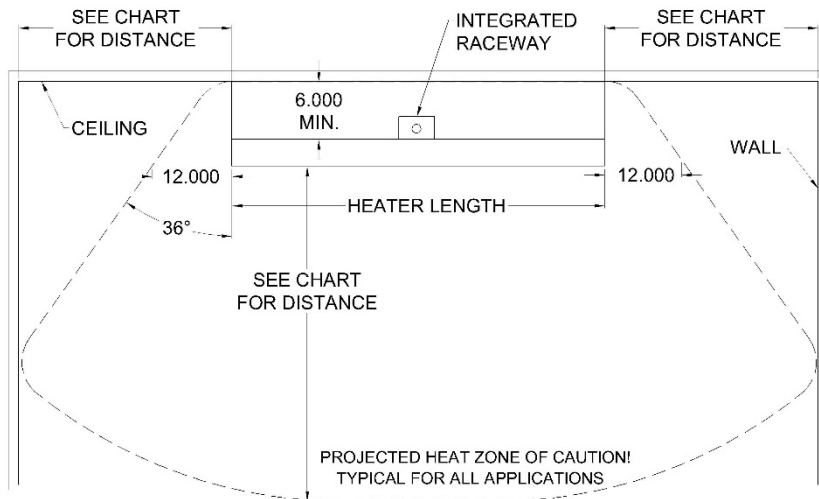


Diagram 2

LIMITED WARRANTY

Intek Corporation warrants its products against defects and workmanship for 12 months from the date of shipment providing such products are properly handled, installed, used and maintained.

Intek does not warrant any product against damage for corrosion, contamination, misapplication, improper specification or operating conditions beyond our control.

The terms of this warranty are the exclusive terms available to any person. No person has authority to bind **Intek Corporation** to representation of warranty other than this warranty.

Intek is not liable for incidental or consequential damages resulting from use of the product whether a claim for damages is based upon warranty, contract negligence or other default.

Parts manufactured by **Intek Corporation** which prove to be defective will either be repaired or replaced, at the option of **Intek Corporation**.

Should electrical or mechanical repair become necessary during the warranty period, send the defective part or the complete product, postage or freight prepaid, to **Intek Corporation** at the address below. You must also reference the model number and serial number indicated on the data plate affixed to each unit.

Return Policy

1. Prior approval is needed when returning any unused product for credit. Return all material Freight Prepaid. Call **Intek Corporation** at 800-387-8559 for a Return Material Authorization (RMA) number before returning any item for repair or replacement. The following information is needed to process a returned heater expeditiously:
 - Customer Name
 - Contact Name
 - Part Number / Serial Number
 - Quantity
 - Reason for return
 - Customer account number
 - Phone Number
 - P.O. number
 - Application information
2. Stock heaters and accessories which have not been used or modified may be returned to the plant for a 20% restocking charge.

This warranty does not include labor, travel or other expenses of a service technician to repair or replace parts.

This warranty does not apply if the damage occurs because of accident, improper handling or operation, shipping damage, abuse, misuse, ordinary wear, corrosion, or unauthorized repairs made or attempted.

There is no warranty on parts not manufactured by **Intek Corporation** other than the manufacturer's warranty, if any.

All warranties, expressed or implied, continue for one year from the date of original shipment. This warranty does not cover liability for incidental or consequential damages for any cause whatsoever.

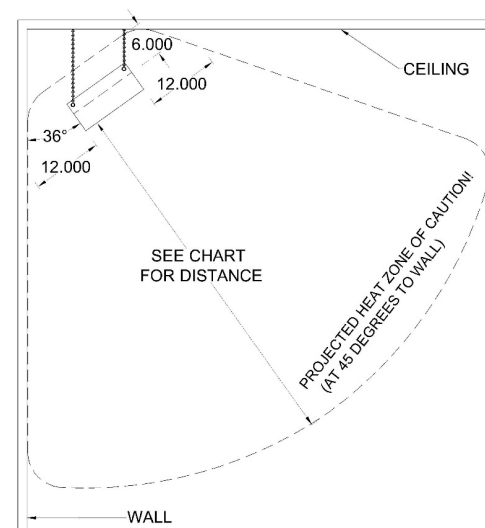


Diagram 3

THIS PAGE INTENTIONALLY LEFT BLANK

MINIMUM SAFE DISTANCE		
WATTS/SQ.IN.*	WATTS/SQ.FT.	DISTANCE**
MORE THAN 12.5	MORE THAN 1800	48"
9 - 12.5	1296 - 1800	42"
6 - 9	864 - 1296	36"
3 - 6	432 - 864	30"
LESS THAN 3	LESS THAN 432	24"

* Watts ÷ (Heater Face Length(in.) X Heater Face Width(in.)) = Watts / Sq. In.
 ** As with all heat producing sources, safe distance must be increased between heat source and items that are more likely to melt.
 Examples: Vinyl, wax, soft plastics & nylon (such as jackets and bags).

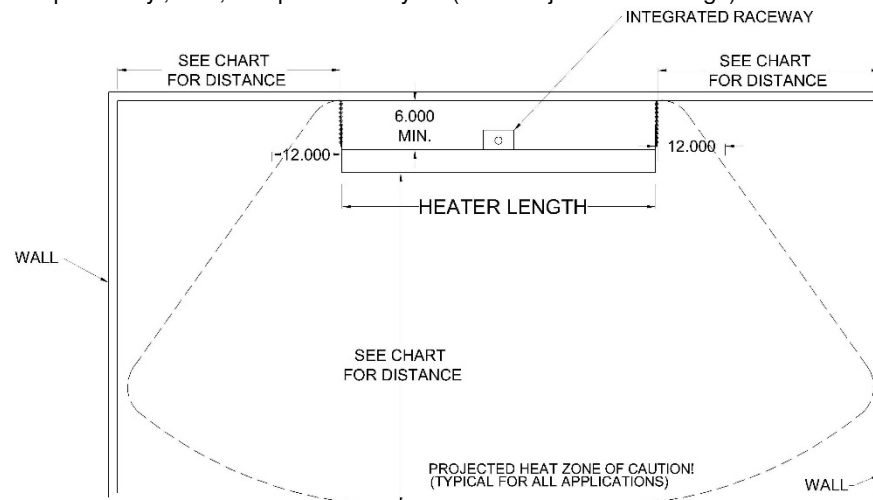


Diagram 4

Operating Instructions

Prior to use, heater must be properly installed by a qualified electrician and connected to a switch, a timer, or a thermostat (according to instructions / NEC). After this has been done, your heater may be turned off and on by the switch, timer or thermostat.

Make certain to fully read any manuals included with your timer or thermostat for proper, safe use.

Ensure that your thermostat or timer is set in such a way for your heater not to operate during unwanted periods. (Ex: if heater is installed in an office, operating on holidays and/or weekends.)

Do not tamper with any device connected to or controlling the heater that is designed to reduce risk of fire, electric shock or injury to persons.

This heater is designed to be used in a hardwired application, not a plug ended cord application.


Some lower wattage heaters are designed to be supplemental heat and require additional heat source to achieve desired room temperature.

Maintenance Instructions

To minimize the possibility of smoke and / or fire, periodically* inspect the heater(s) for foreign matter build up. If build up is present, **after safely disconnecting power** to the heater, remove the foreign material as much as possible. **Avoid scraping or poking** that might harm the element surface.

* Heater should be inspected / cleaned quarterly in a normal environment, monthly where there is greater chance of debris build up.

To remove foreign matter buildup, follow this procedure: **Disconnect all power to the heater**. When the heating surface is cool enough to handle, gently use a small soft bristle broom and / or low pressure compressed air (such as discharge from a shop vac) to dislodge any noticeable foreign debris from element / heater surface.

Intek  heaters do not require lubrication of any parts.

All other servicing must be performed by qualified service personnel.

Safety instructions

While all patented **Intek** infrared heaters are designed for years of maintenance free operation, **it is important to keep heater surfaces free from foreign matter build up**. Allowing any type of foreign matter to collect on heater surfaces may reduce performance, and can result in smoke and possibly fire.

In the unlikely event of a fire **Never Use Water** to extinguish an electrical fire. Doing so could result in **severe shock or loss of life**. If you can do so safely, turn off all electric power to the heater and use the appropriate class fire extinguisher for your type of fire. If the fire could possibly get out of hand, follow all fire safety procedures and call your local fire department.

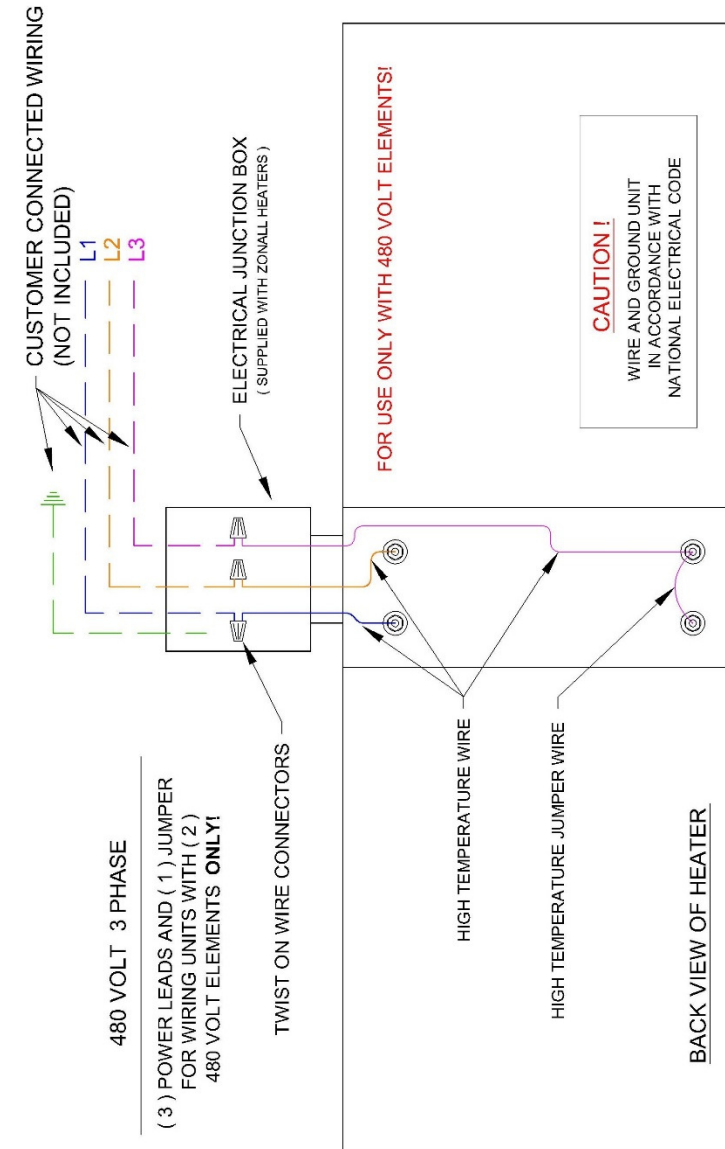
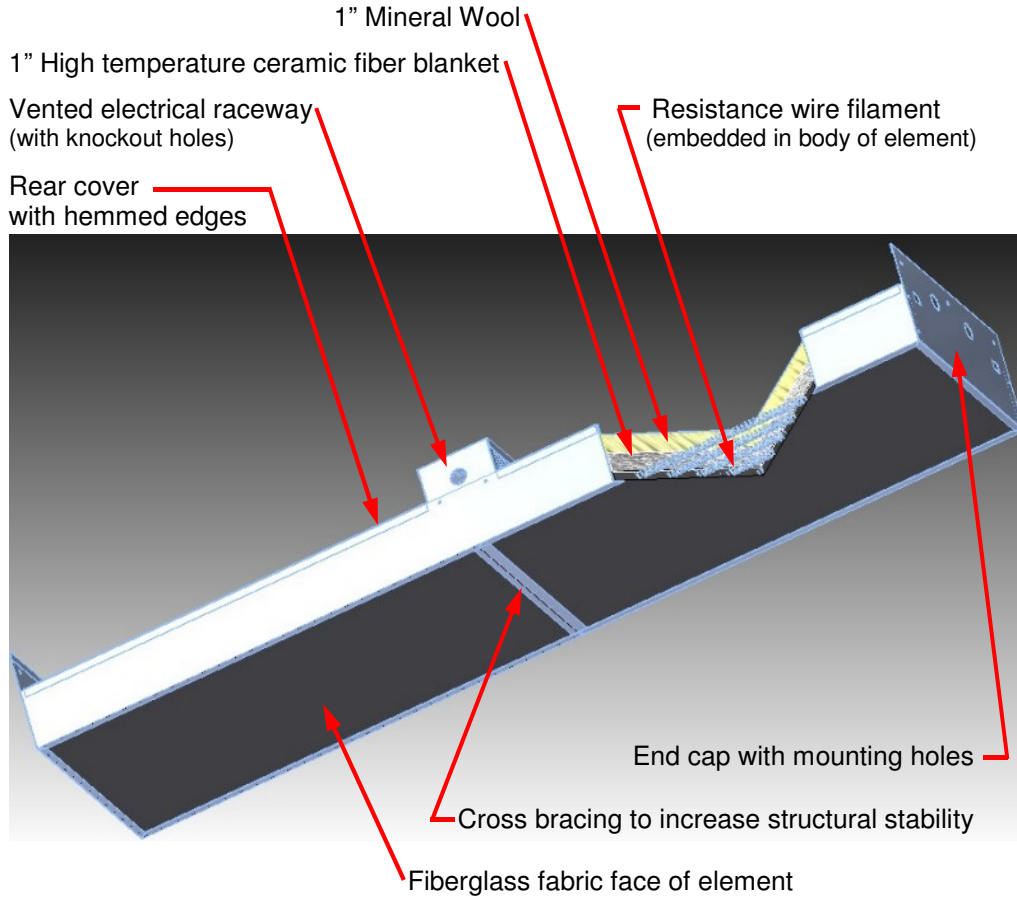
Installation Instructions

1. Remove contents from shipping carton. Do not discard anything until assembly is complete.
2. Place Zonall heater on a clean flat surface such as floor or table, taking care to protect the black heater face. (IMPORTANT NOTE: Foreign objects such as screws, nuts, bolts and tools can puncture the element face and may damage the heating element and make it unsafe to operate).
3. Locate the 2" x 4" junction box assembly. Assembly consists of (1) junction box, (1) offset nipple, (2) lock nuts, (1) box cover, (2) lengths of TGGT high temperature insulated wire and (2) twist on wire connectors.
4. Open one of the conduit-size knockouts provided in the wire raceway which is centrally located on back of the heater. (see illustration on next page for view of knockout)
5. One end of the offset nipple is attached to the junction box. Insert the other end of the offset nipple into the conduit knockout hole created in step 4 and secure assembly with lock nuts provided.
6. High temperature lead wires are already affixed directly to the element lead wires and installed in the junction box ready for connection to the power source.
7. Install heater by securing four chains (provided) to end caps of heater with provided nuts, washers and bolts using two (2) 7/16" wrenches.
 - a. Ensure that each link of chain is closed. Bend with pliers if not closed.
 - b. Attach free end of each chain to ceiling joist with wood screws or bolts having a minimum tensile strength of 70#.
 - c. Wall mount bracket (available option): Secure heater to bracket with provided nuts, washers and bolts using two (2) 7/16" wrenches. Attach wall mount bracket to wall stud using bolts or wood screws with a minimum shear strength of 70#.
8. Heater face should be at 8 feet from the floor if possible. This distance is recommended for optimal heater performance and safety. Be careful to maintain a minimum of 6" of clear space from back of heater and 12" perpendicular from heater face to combustible surfaces. (ref. Diagrams 1 & 2)
9. Complete electrical connection. Attach incoming power wires to lead wires in junction box using two provided twist on wire connectors. Ground all circuits according to NEC.
10. After ensuring that the correct voltage is connected, all wires connections are tightened securely, and appropriate jumper wires are installed (jumpers not required for 12" x 12", 12" x 24" and 12" x 30" models), energize heater.
11. Assembly of the Zonall heater is complete.

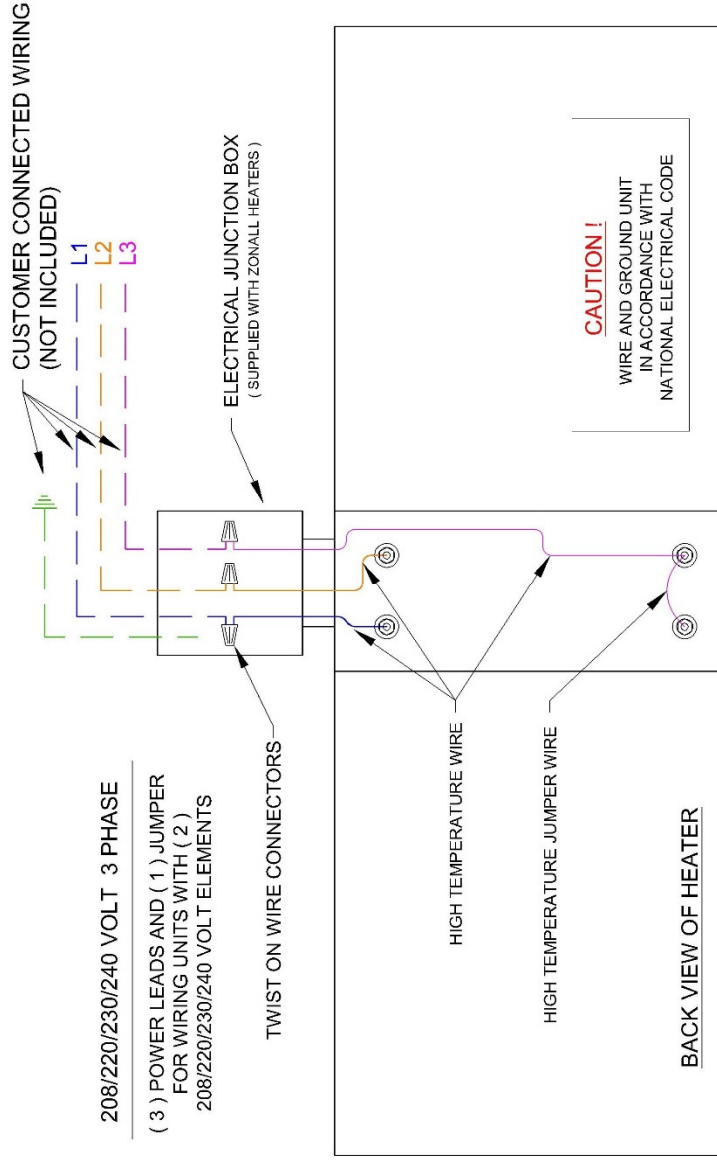
Intek Patented ZONALL Heater Diagram

(Model Z1248 shown)

Available in the following voltages: 120, 208, 240 and 480
 Available in the following lengths: 12, 24, 30, 36, 48, 60 and 72
 Custom lengths, wattages and voltages available upon request.



For other wiring options &/or configurations, contact your salesperson.



THIS METHOD DOES NOT PRODUCE A BALANCED 3 PHASE LOAD.

