

INTER DYNE SYSTEMS
DISCOVERY FREE STANDING SHELVING



Above: Discovery Shelving from Inter Dyne Systems gives you secure, free-standing storage options that mount easily to the floor. Manufactured from #304 stainless steel with a #4 finish standard. Posts and foot bracket shown in paint finish # 6H20, Cool White.

Left: Discovery Shelving can be installed in a variety of ways, including above work spaces, allowing you to optimize the versatility of your workstation.

In a fully versatile workstation, having practical storage solutions that put all your materials within reach is a necessity. At Inter Dyne Systems we not only manufacture high-quality stainless steel pegboards, countertops, specimen pass-through cabinets and narcotic lock boxes; we also produce free standing and wall mounted shelving that puts convenient storage of materials readily at hand.



Stringers are mounted across the top, between posts, for added structural support.



End mounted brackets keep materials secure and in place. Available in 12" and 16" depths.

WALL MOUNTED STAINLESS STEEL SHELVING



The standard wall-mounted shelf comes in a variety of sizes and can be easily mounted and moved to accommodate different materials.

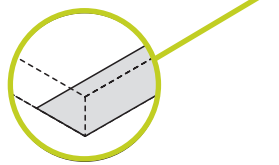
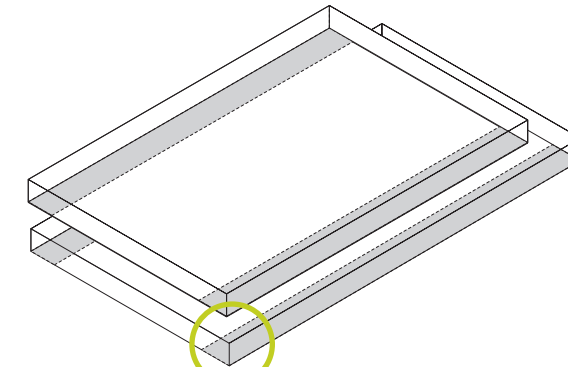


A wall shelf with seismic lip keeps lab components from slipping off the edge of the shelf.

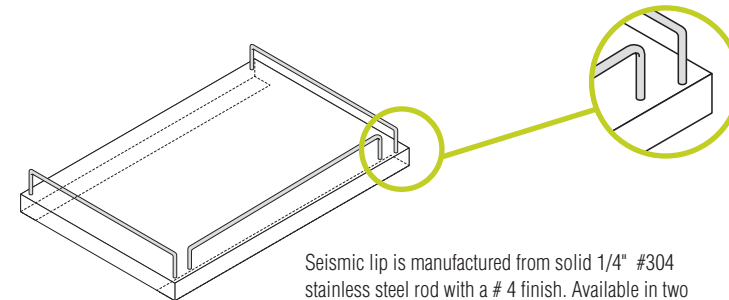


The shelf wrap-around option provides additional support to keep materials in place.

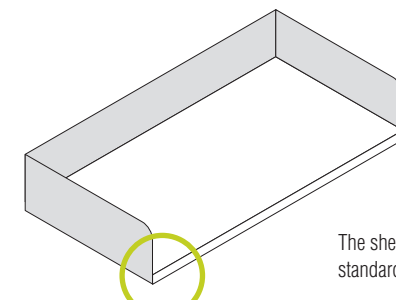
Your customized workstation should have all the components to keep your materials right where you need them. That is why Inter Dyne Systems offers a wide variety of high-quality stainless steel shelving options in an array of sizes and custom options to meet your specific needs.



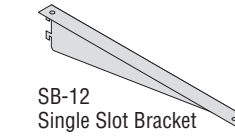
All of our shelves are manufactured with strength and durability in mind. The front and back edge is first bent to form the front face of the shelf, the remaining 1" of steel is bent again to give a smooth finished edge to each shelf. All shelves come in standard 12" and 16" depths. Custom sizes available.



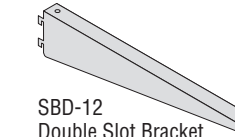
Seismic lip is manufactured from solid 1/4" #304 stainless steel rod with a # 4 finish. Available in two standard sizes, 11" and 14" lengths. Custom sizes available.



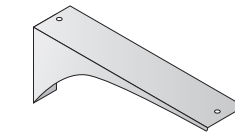
The shelf wrap-around option comes as a 4" standard height. Custom heights available.



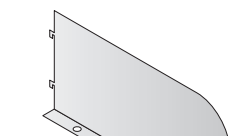
SB-12 Single Slot Bracket



SBD-12 Double Slot Bracket

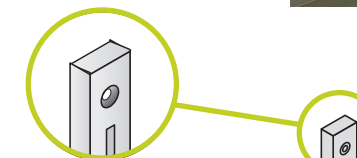


WSB-12 Wall Mounting Bracket

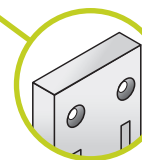


SBB-12 Bookend Bracket

Single, Double, Wall Mount and Bookend shelf brackets offer support solutions for any application. All four come in 12" and 16" depths. Custom sizes are available.



These 14 gauge stainless steel standards are manufactured from one piece of steel. The sides are formed, then the top and bottom are folded to enclose the standard, eliminating an area that can collect material from the environment.



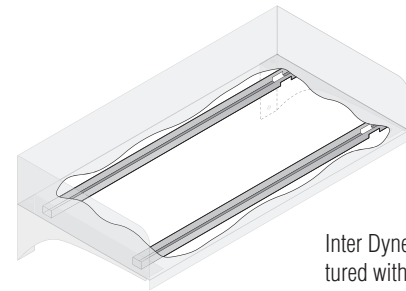
Counter sunk screw holes leave the surface of the standard flush, so mounting hardware does not interfere with brackets or shelving.

Your customized workstation should have all the components to keep your materials right where you need them. That is why Inter Dyne Systems offers a wide variety of high-quality stainless steel shelving options in an array of sizes and custom options to meet your specific needs.

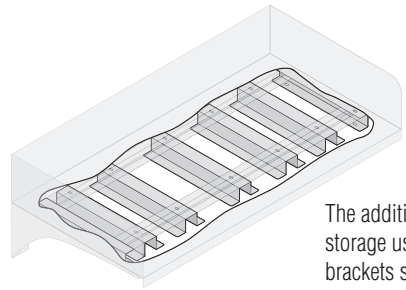
INTER DYNE SYSTEMS
CARBOY SHELVES

This unique shelf system will adapt to not only the Inter Dyne Systems stainless steel pegboards but existing acrylic, epoxy, stone or wood pegboards as well.

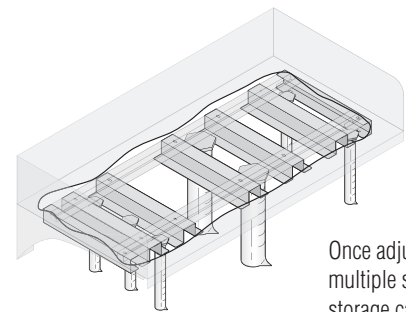
The Carboy shelf system has a number of unique features that distinguish it away from the competition. Past being manufactured from #304 stainless steel with a #4 finish, each shelf unit is built with a rail system on the underside for support, and future flexibility.



Inter Dyne Systems Carboy shelf is manufactured with a rail system on the underside for support, and future flexibility.

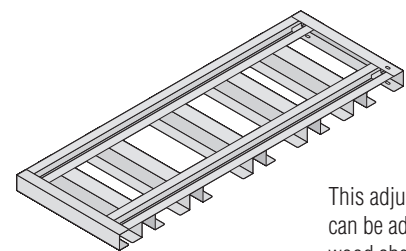


The addition of the DLX rack allows for flexible storage using the "C" and "H" brackets. These brackets slide on the rails and can be locked in position with an allen wrench that is supplied with each order.



Once adjusted, the brackets accommodate multiple sized cylinders. With the DLX rack storage capacity doubles for each shelf.

ADJUSTABLE RACKING SYSTEM KIT



This adjustable racking system kit, the XP, can be added to any existing acrylic, epoxy or wood shelf to expand storage capacity.



This wall mounted Carboy shelf, with optional DLX rack doubles your storage capacity.



Carboy shelves can be mounted to the top of pegboards.



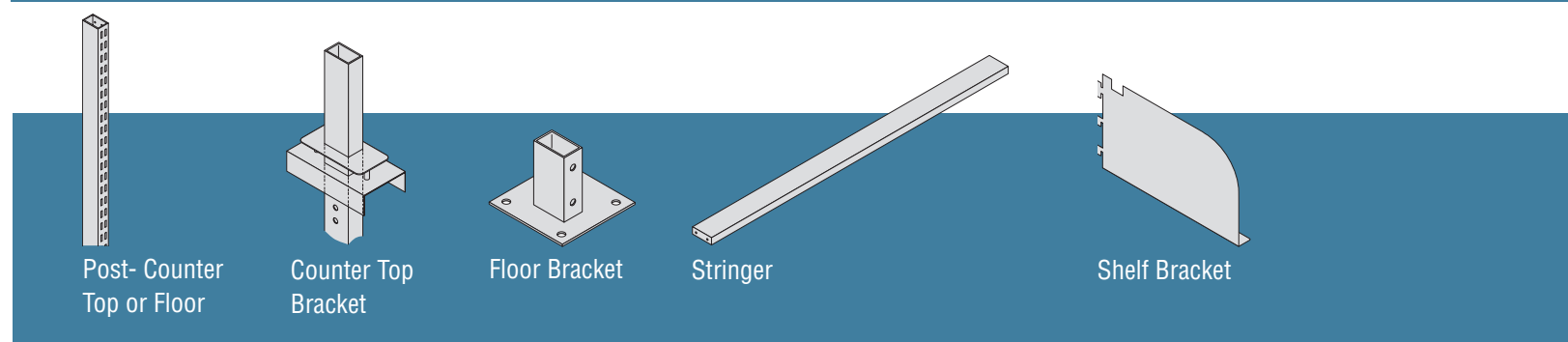
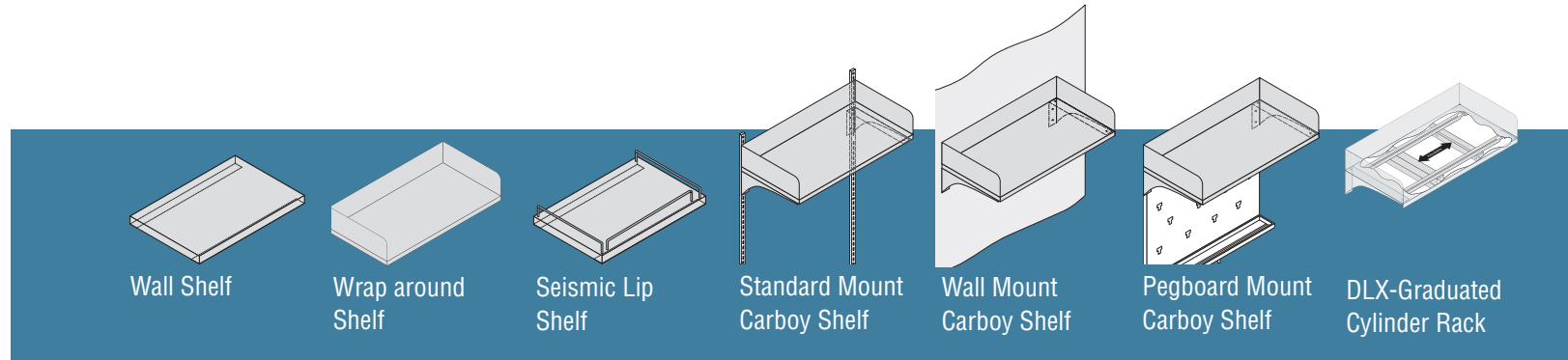
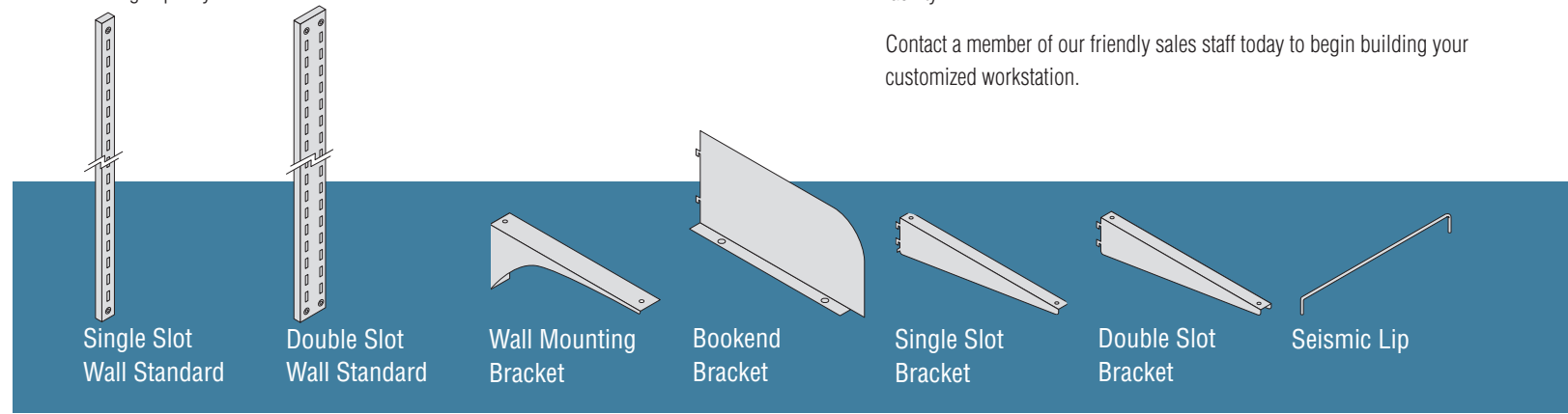
Carboy shelves can be integrated with other wall mounted shelving, by ordering it with clips that fit Inter Dyne single or double slotted standards.

FREE STANDING AND WALL MOUNT SHELVING.

Inter Dyne Systems is the solution for outfitting your laboratory. Our pegboards, shelves, countertops, narcotic cabinets and specimen pass-through boxes are made of high-quality stainless steel to ensure a sterile and versatile workstations.

Our shelving systems come in a variety of sizes and mounting options and can be customized with a number of options to meet the specific needs of your facility.

Contact a member of our friendly sales staff today to begin building your customized workstation.



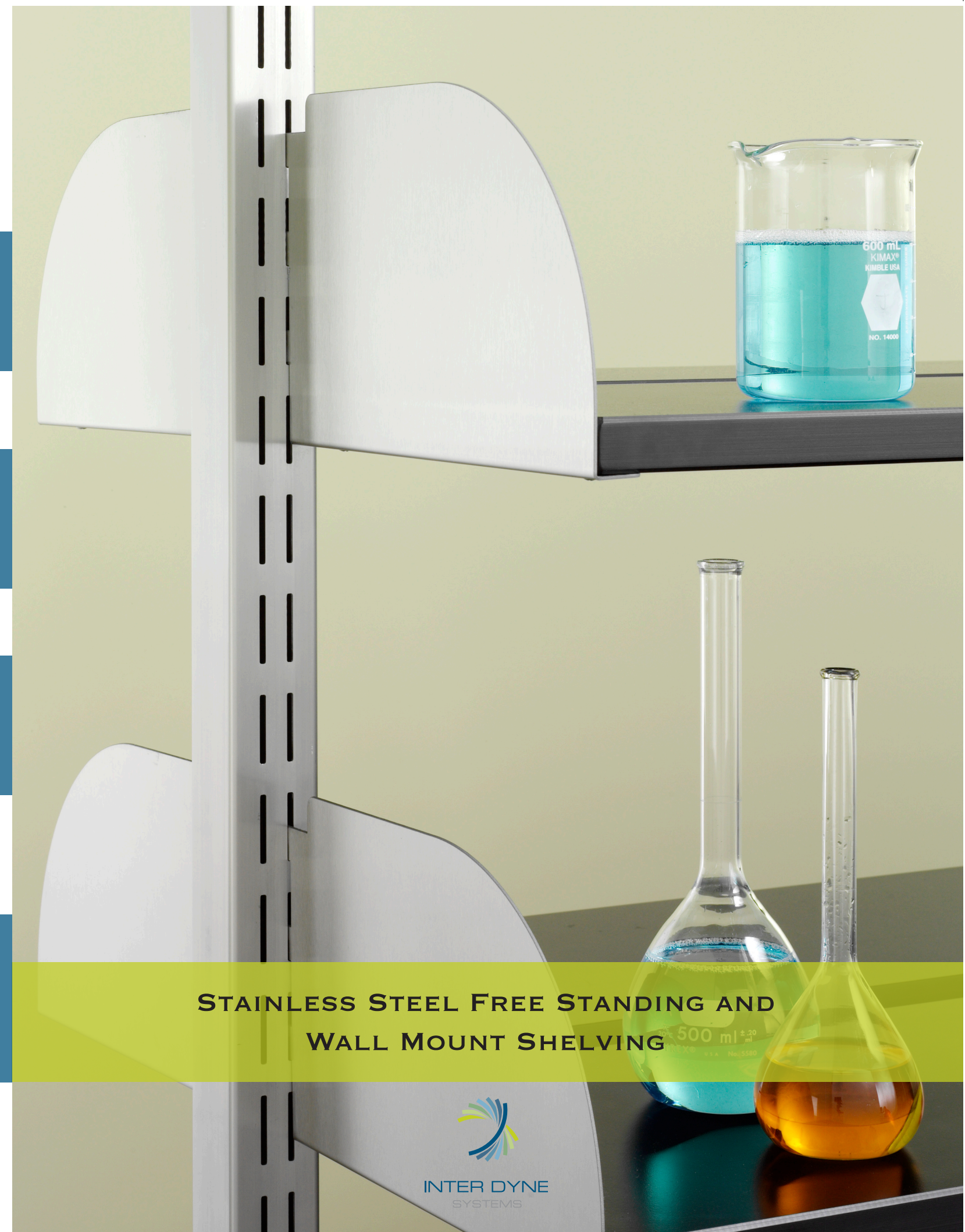
INTER DYNE SYSTEMS:
VERSATILE WORK STATION SOLUTIONS

Inter Dyne Systems began over 25 years ago as an innovator of modular laboratory equipment by fabricating and selling stainless steel pegboards.

Over time we gained a reputation as the leader in the laboratory pegboard market. We've built upon that foundation by continuing to offer high quality pegboards with dependable service, consistent quality and on time delivery. We also offer shelving components, narcotics storage cabinets, countertops and innovative acrylic products.



Inter Dyne Systems, Inc. P: 877.477.5227 F: 231.799.9690
676 E. Ellis Road E: jack@interdynesystems.com
Norton Shores, MI 49441 W: www.interdynesystems.com



STAINLESS STEEL FREE STANDING AND WALL MOUNT SHELVING

