

Use & Care Guide
Manual de Uso y Cuidado
Manuel d'entretien et d'utilisation

Kenmore®/MD

***SPOTLITE* GO**

Portable Carpet Spot and Pet Stain Cleaner

Model/Modelo/Modèle: KW1050

Vacuum Cleaner Help Line:
1-877-531-7321 (US) / 1-844-608-3081 (CA)
8:00am-5:00pm EST, M-F
www.kenmorefloorcare.com



TABLE OF CONTENTS

Before Using Your New Spot Cleaner	2
Packing List.....	2
Important Safety Instructions	3-4
Spot Cleaner Warranty.....	5
Parts and Features.....	6-7
Assembly Instructions.....	8-9
Operating Instructions.....	9-14
Maintenance and Care	15-17
Troubleshooting.....	18-19
Requesting Assistance or Service.....	Back Cover

BEFORE USING YOUR NEW SPOT CLEANER

Read this Use & Care Guide. It will help you assemble and operate your new Kenmore spot cleaner in the safest and most effective way.

For more information about spot cleaner care and operation, call the Vacuum Cleaner Help Line at 1-877-531-7321 (US) / 1-844-608-3081 (CA). You will need the complete model and serial numbers when requesting information.

Your spot cleaner's model and serial numbers are located on the Model and Serial Number Plate. Use the space below to record the model number and serial number of your new Kenmore spot cleaner.

Model No. _____

Serial No. _____

Date of Purchase _____

Keep this book and your sales check (receipt) in a safe place for future reference.

PACKING LIST

Your KENMORE SPOT CLEANER is packaged with the following parts and components included separately in the carton:

- | | |
|---------------------------------|----------------------|
| 1 Spot Cleaner | 1 Hose Storage Clip |
| 1 8 oz. Carpet Cleaning Formula | 1 Hose Cleaning Tool |
| 1 Tool Stain Nozzle | 1 Use & Care Guide |
| 1 Tool Storage Clip | |

IMPORTANT SAFETY INSTRUCTIONS

Read all instructions in this guide before assembling or using your spot cleaner.

WARNING!

Your safety is important to us. To reduce the risk of fire, electrical shock, injury to persons or damage when using your spot cleaner, follow basic safety precautions including the following:

- Use your spot cleaner only as described in this Use & Care Guide. Use only manufacturer's recommended attachments.
- Fully assemble before operating.
- Operate cleaner only at voltage specified on rating plate.
- Do not leave spot cleaner when plugged in. Unplug from outlet when not in use and before performing maintenance.
- Do not expose to rain. Store indoors.
- Do not immerse. Use only on carpet moistened by cleaning process.
- Do not allow to be used as a toy. Close attention is necessary when used by or near children.
- Do not use with a damaged cord or plug. If spot cleaner is not working as it should, has been dropped, damaged, left outdoors, or dropped in water, immediately discontinue use and call 1-877-531-7321 (US) / 1-844-608-3081 (CA) for assistance.
- Do not pull or carry by cord, use cord as a handle, close a door on cord, or pull cord around sharp edges or corners. Do not run spot cleaner over cord. Keep cord away from heated surfaces.
- Do not unplug by pulling on cord. To unplug, grasp the plug, not the cord.
- Do not handle plug or spot cleaner with wet hands.
- Do not put any objects into openings.
- Do not use with any opening blocked; keep free of dust, lint, hair, and anything that may reduce air flow.
- Keep hair, loose clothing, fingers, and all parts of body away from openings and moving parts.
- Turn off all controls before unplugging.
- Use extra care when cleaning stairs. To avoid personal injury or damage, and to prevent the spot cleaner from falling, always place spot cleaner at bottom of stairs or on floor. Do not place spot cleaner on stairs or furniture, as it may result in injury or damage.
- Do not put spot cleaner on chairs, tables, etc. Keep unit on the floor.
- Do not use spot cleaner to pick up flammable or combustible liquids (gasoline, cleaning fluid, perfumes, etc.), or use in areas where they may be present. The

IMPORTANT SAFETY INSTRUCTIONS

fumes from these substances can create a fire hazard or explosion.

- To reduce the risk of health hazards from vapors or dusts, do not vacuum toxic materials.
- Do not use or store near hazardous materials.
- Do not pick up anything that is burning or smoking, such as cigarettes, matches, or hot ashes.
- Do not use spot cleaner without tanks in place.
- Do not clean over floor electrical outlets.
- Do not use the spot cleaner to pick up sharp hard objects, small toys, pins, paper clips, etc. They may damage the spot cleaner or tanks.
- Do not use sharp objects to clean out hose as they can cause damage.
- To help prevent matting and resoiling, avoid contact with carpets until they are dry. Keep children and pets away from carpets until they are completely dry.
- Do not store the spot cleaner with solution in tanks.

- Use only Kenmore cleaning formulas intended for use with this appliance to prevent internal component damage.
- You are responsible for making sure that your spot cleaner is not used by anyone unable to operate it properly.

CAUTION

To reduce the risk of injury from moving parts - Unplug before servicing.

WARNING

To reduce the risk of electric shock - Unplug before cleaning or servicing.

SAVE THESE INSTRUCTIONS

Proper assembly and safe use of your spot cleaner are your responsibilities. Your spot cleaner is intended for Household Use. Read this Use & Care Guide carefully for important use and safety information. This guide contains safety statements under warning and caution symbols.

SPOT CLEANER WARRANTY

LIMITED WARRANTY

FOR ONE YEAR from the date of sale (or, for deliveries in the State of California, one year from the date of delivery), this product is warranted against defects in material or workmanship.

WITH PROOF OF SALE a defective product will be replaced free of charge.

The Kenmore brand is used under license. Direct all claims for warranty service to: 1-877-531-7321 (US) / 1-844-608-3081 (CA).

This warranty is void if this product is ever used for anything other than private household purposes. This warranty gives you specific legal rights, and you may also have other rights which vary from state to state.

Cleva North America, Inc., Greenville SC 29607

PARTS AND FEATURES

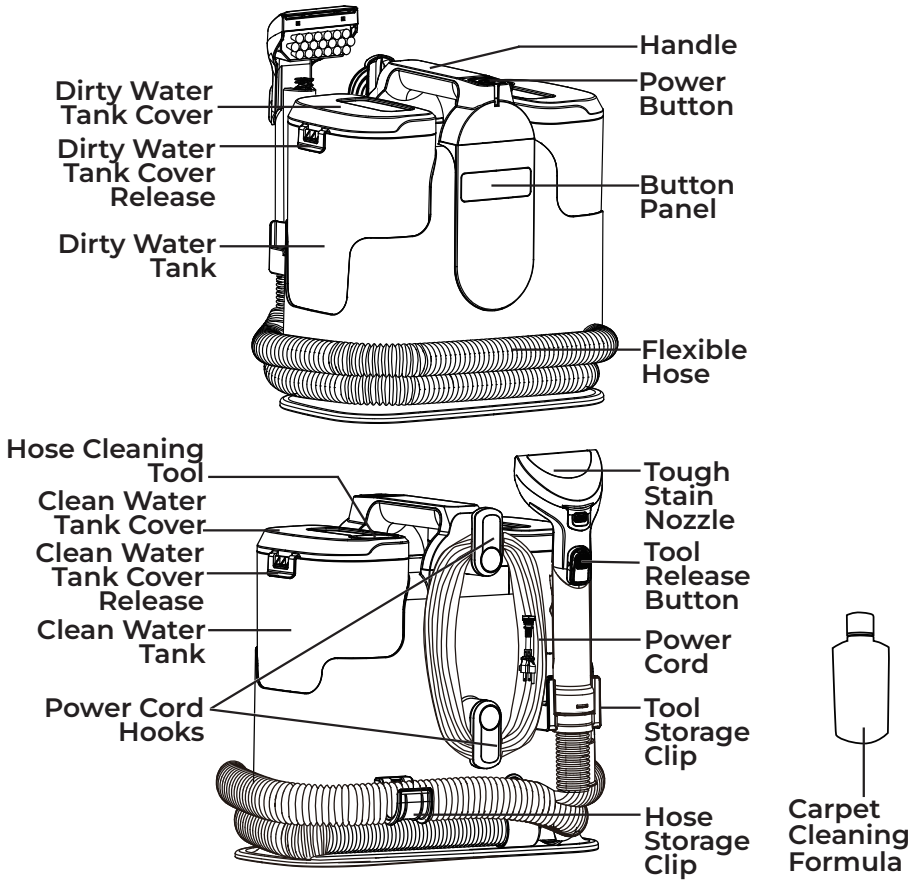
It is important to know your spot cleaner's parts and features to assure its proper and safe use. Review these before using your spot cleaner.

REPLACEMENT PARTS

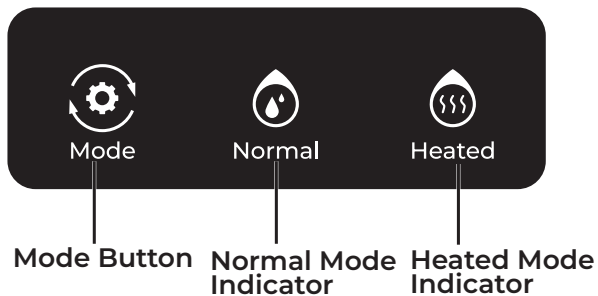
Item	Part No.(US)	Part No.(CA)
Tool Storage Clip	671008101	671008101
Dirty Water Tank	671014101	671014101
Clean Water Tank	671014102	671014102
Tough Stain Nozzle	671014103	671014103
Hose Cleaning Tool	671011104	671011104
Hose Storage Clip	671008104	671008104

To order a replacement part, call 1-877-531-7321 (US) / 1-844-608-3081 (CA).

PARTS AND FEATURES



BUTTON PANEL



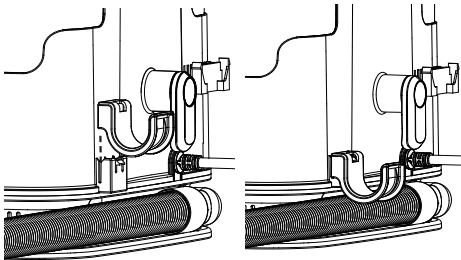


Please pay special attention to these hazard alert boxes, and follow any instructions given. **WARNING** statements alert you to such hazards as fire, electric shock, burns and personal injury. **CAUTION** statements alert you to such hazards as personal injury and/or property damage.

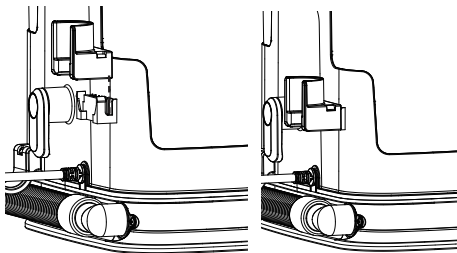
ASSEMBLY INSTRUCTIONS

Before assembling the spot cleaner, check the **PACKING LIST** (page 2). Use this list to verify that you have received all the components of your new Kenmore Spot Cleaner.

1. Align the hose storage clip with the slot as shown. Slide down the hose storage clip until it is secured into place.



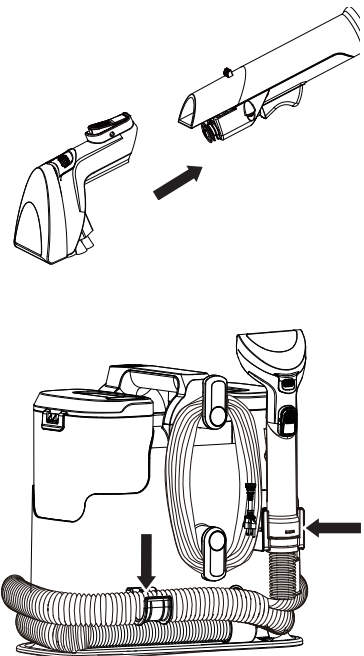
2. Align the tool storage clip with the slot as shown. Slide down the tool storage clip until it is secured into place.



3. Slide the tough stain tool onto the end of the suction hose until it clicks into place.

To remove: Press the tool release button and pull away the tough stain tool.

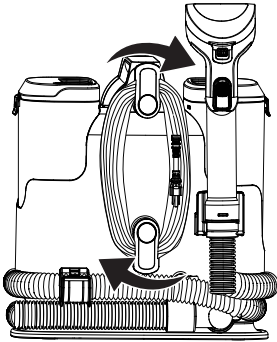
NOTE: Put the flexible hose onto the hose storage clip. Snap the end of the hose with the tool installed into the tool storage clip when not in use.



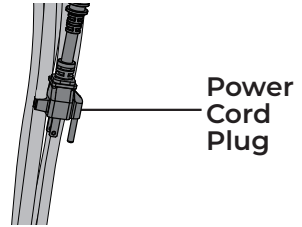
ASSEMBLY INSTRUCTIONS

4. Make sure both power cord hooks are in the proper position as shown. Wrap the power cord loosely around the cord hooks.

NOTE: Make sure to wrap the power cord around the lower cord hook first, and then around the upper cord hook to avoid damaging the power cord.



5. Lock power cord plug onto the power cord.



WARNING

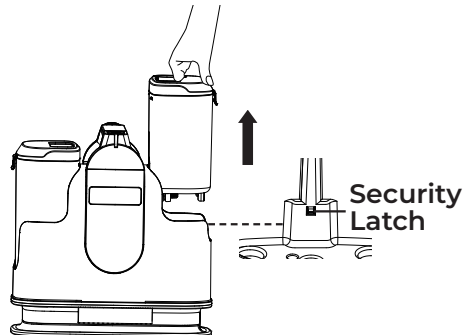
Electrical Shock and Personal Injury Hazard

Wrapping the cord too tightly with excessive stress on the cord may cause cord damage. A damaged cord is an electrical shock hazard and could cause personal injury or damage.

OPERATING INSTRUCTIONS

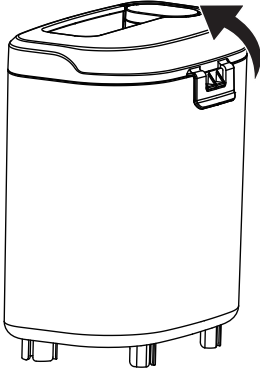
FILLING THE CLEAN WATER TANK

1. Lift up the clean water tank from the side of the unit. A security latch is positioned to keep the clean water tank in position to avoid unintentional release. The latch will automatically release when the tank is pulled upwards.



FILLING THE CLEAN WATER TANK

2. Remove the clean water tank cover by undoing the clean water tank cover release.



3. Fill the tank with clean water and cleaning formula. Ensure the correct proportion of water and cleaning solution is used by referring to the solution label.

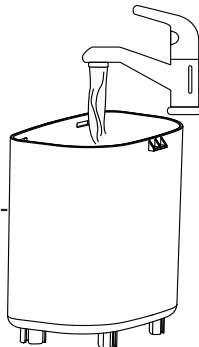
SMALL CLEANING AREA -
0.8L/0.2G Liquid

LARGE CLEANING AREA -
1.6L/0.4G Liquid

LARGE CLEANING AREA
(1.6L/0.4G Liquid Max Fill)

(1.2L/0.3G Liquid) -----

SMALL CLEANING AREA
(0.8L/0.2G Liquid)

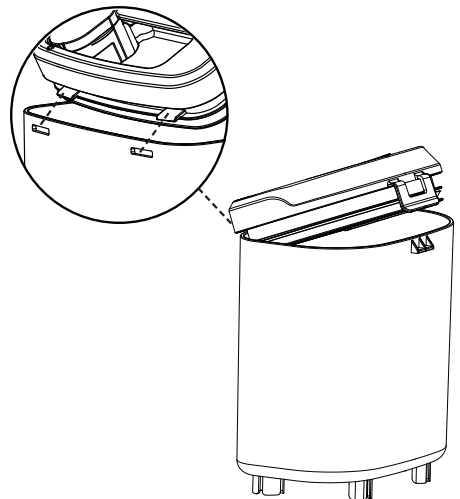


Do not exceed filling the clean water tank over the maximum fill line indicated on the clean water tank.

NOTE: An 8 oz. (236ml) bottle of cleaning formula is provided with this spot cleaner. Ensure the cleaning formula and water are mixed correctly. Water must be at room temperature. We recommend only using Kenmore carpet cleaning formula. Using other solutions may cause excess foaming and may invalidate your warranty.

NOTE: Using more than the recommended amount of cleaning formula may cause excessive foaming. **KEEP OUT OF REACH OF CHILDREN.** In case of eye contact, thoroughly flush with cold water. If irritation persists, consult a physician.

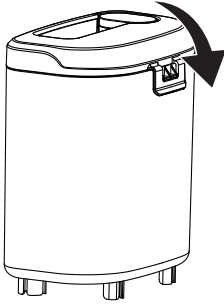
4. Insert the locking tabs into the slots of the clean water tank first and then secure the clean water tank cover back into place until a click is heard.



CAUTION

Do not fill with water above
104°F (40°C).

FILLING THE CLEAN WATER TANK



5. Slide the clean water tank back onto the unit. The security latch will automatically secure once the clean water tank is in position. A click will be heard when correctly installed.

USING THE SPOT CLEANER

IMPORTANT! Before using the spot cleaner, thoroughly vacuum the area to be cleaned. Always test a small hidden area for colorfastness and pile distortion.

Test Colorfastness - Gently rub surface with a dampened white cloth containing cleaning solution. Wait 10 minutes and check for color removal with a white paper towel. If color changes, do not use.

NOTE: To prevent staining, use plastic or aluminum foil to protect wood or metal surfaces from possible water spray.

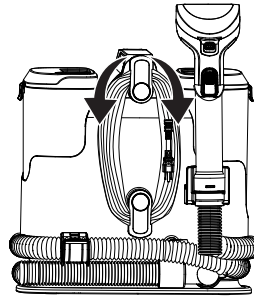
To protect the wood floors underneath rugs or carpet, place waterproof material (e.g. plastic) underneath them before cleaning.

NOTE: Always refer to and follow the manufacturer's care guidelines before using cleaning solution and spot cleaner.

1. Unwrap the hose from the unit. Make sure the tough stain nozzle is attached securely.

NOTE: The tough stain nozzle can be used for cleaning carpet stains, furniture and other hard-to-reach surfaces.

2. Turn the power cord hooks inward from either side to release the power cord.



3. Detach the power cord plug from the power cord.
4. Plug the power cord into an outlet located near the floor.

USING THE SPOT CLEANER

WARNING

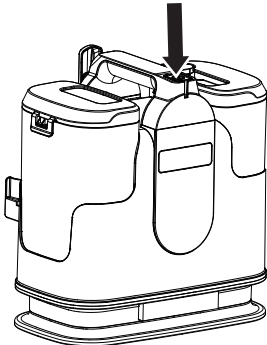
Personal Injury and Product Damage Hazard

- When any abnormality/failure occurs, stop using the product immediately and disconnect the power plug.
- DO NOT use outlets above counters. Damage from cord to items in surrounding area could occur.

WARNING

To reduce the risk of electric shock, this appliance has a polarized plug (one blade is wider than the other). This plug will fit in a polarized outlet only one way. If the plug does not fit fully in the outlet, reverse the plug. If it still does not fit, contact a qualified electrician to install the proper outlet. Do not change the plug in any way.

5. Press the power button to turn the spot cleaner on. The spot cleaner starts in normal mode by default.



6. Select the desired cleaning mode by pressing the mode button. Pressing the mode button will switch the spot cleaner into: Normal Mode → Heated Mode → Normal Mode.

For ordinary stains, select the Normal Mode. The normal mode indicator will glow a steady green light to indicate the status.

For stubborn stains, select the Heated Mode. The heated mode indicator will flash yellow while the unit warms up. After about 15 seconds, the heated mode indicator will stop flashing and a steady green light will glow to indicate the heated mode is ready for use.

WARNING

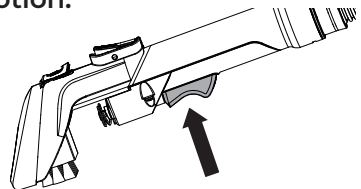


Scalding Risk.

When in the Heated Mode, do not touch the nozzle and sprayed water with your hands.

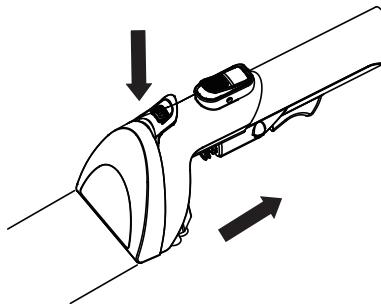
NOTE: Cool water may spray out of the hose before the hot water is sprayed.

7. Hold the tool about 1 inch over the stain to be cleaned. Squeeze the spray trigger to spray a generous amount of cleaning solution over the soiled area. Use the brush on the tool to agitate stains by scrubbing in a back and forth motion.



USING THE SPOT CLEANER

8. To lift away the stain, apply downward pressure on the front of the cleaning tool and pull the tool backward slowly to vacuum up excess dirty liquids. Repeat as necessary.



9. Empty the dirty water tank when the dirty liquid reaches the "Max Fill" line and there is a loss in suction. See instructions in the EMPTYING THE DIRTY WATER TANK (page 13-14).

10. Once you have completed cleaning, press the power button; and unplug the power cord plug from the outlet.

11. Turn the power cord hooks to the proper position and wrap the cord loosely around the power cord hooks.

EMPTYING THE DIRTY WATER TANK

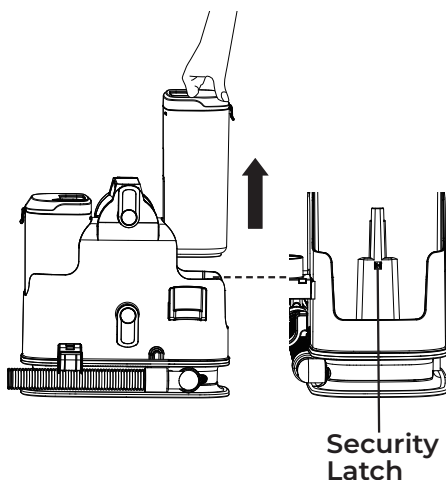
WARNING

Always unplug power cord from electrical outlet before performing any service on spot cleaner.

Empty the dirty water tank when the dirty liquid reaches the "Max Fill" line and there is a loss in suction. During normal use, debris may accumulate in the dirty water tank. In order to keep the spot cleaner functioning properly, rinse out the dirty water tank with clean water after each use.

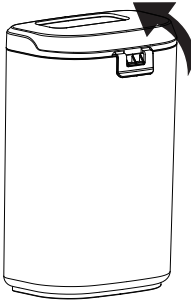
1. Lift up the dirty water tank from the side of the unit. A security latch is positioned to keep the dirty water tank in position to avoid unintentional

release. The latch will automatically release when the tank is pulled upwards.

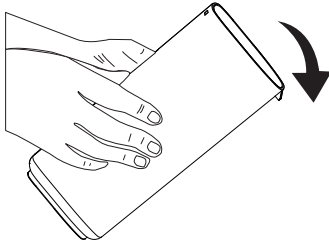


EMPTYING THE DIRTY WATER TANK

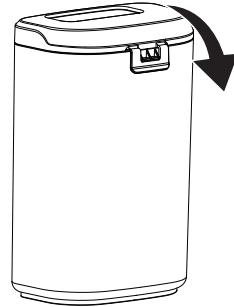
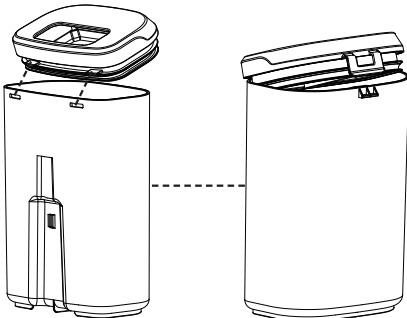
2. Remove the dirty water tank cover by undoing the dirty water tank cover release.



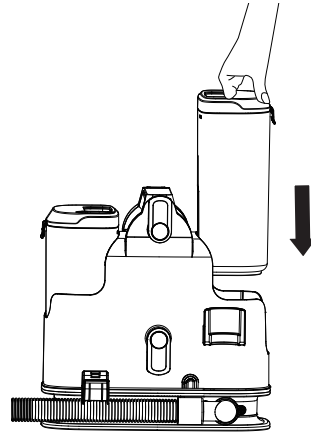
3. Empty the tank into a sink or toilet. Rinse the tank thoroughly with clean water. If continuing to use after emptying the dirty water tank, be sure to dry the outside of the tank before reinstalling.



4. Insert the locking tabs into the slots of the dirty water tank first and then secure the dirty water tank cover back into place until a click is heard.



5. Reinstall the dirty water tank back onto the unit. The security latch will automatically secure the dirty water tank in position. A click will be heard when correctly installed.



WARNING

The motor noise changes to a higher pitch when the dirty water tank is full or blocked. Stop the spot cleaner immediately and empty the dirty water tank.

MAINTENANCE AND CARE

Always follow all safety precautions when performing maintenance to the spot cleaner.

WARNING

Electrical Shock and Personal Injury Hazard

Disconnect electrical supply before servicing or cleaning the spot cleaner. Failure to do so could result in electrical shock or personal injury from spot cleaner suddenly starting.

CLEANING EXTERIOR AND ATTACHMENTS

1. Turn off and unplug spot cleaner. **DO NOT** drip water on spot cleaner.
2. To clean exterior, or to reduce static electricity and dust

build-up, wipe outer surface with a clean, soft cloth that has been dipped in a solution of mild liquid detergent and water, then wrung dry. Wipe dry after cleaning.

SPOT CLEANER STORAGE

WARNING

Electrical Shock and Personal Injury Hazard

Wrapping the power cord too tightly puts stress on the cord and could cause damage. A damaged cord is an electrical shock hazard and could cause personal injury or damage.

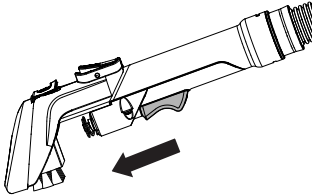
1. Replace suction hose and attachments in storage position.

2. Wrap the power cord loosely around the cord hooks. Attach plug retainer clip onto the power cord.
3. Empty the clean water tank (if necessary). Rinse it out before replacing on the unit. Open the clean water tank cap to allow it to air dry.
4. Empty the dirty water tank then rinse, clean and dry before placing back on the unit.
5. Store the spot cleaner in a dry and cool indoor area.

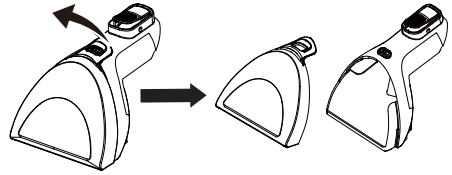
CLEANING THE TOUGH STAIN NOZZLE

It is recommended to clean the tough stain nozzle with water after each use.

1. Press the tool release button to remove the attachment from the hose.



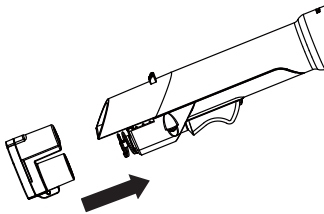
2. Pull up the cover release tab on the nozzle to remove the cover.



3. Rinse thoroughly with clean water. Allow the parts to dry before reinstalling.
4. Reinstall the nozzle cover and then insert back into place until a click is heard.

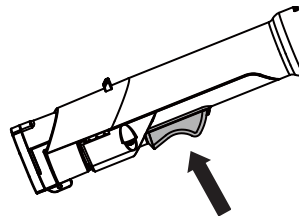
HOSE CLEANING TOOL

1. Remove the clean water tank and fill with clean water.
2. Attach the hose cleaning tool to the suction hose. Ensure the tough stain nozzle is removed.



3. Make sure both the clean water and dirty water tanks are secured on the unit.
4. Press the power button to turn the spot cleaner on and hold the spray trigger for 30 seconds. The clean water will rush through the suction

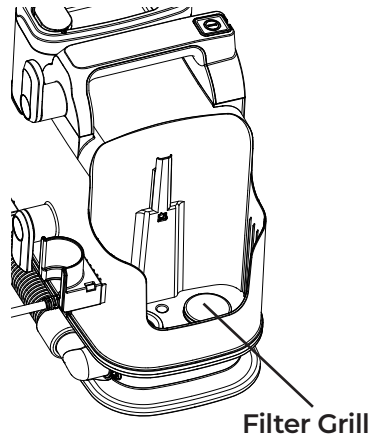
hose, effectively cleaning and removing any trapped dirt and debris in the hose which may build up over time. Repeat as needed. Let the machine run for 5-10 seconds before turning off.



5. Turn off and unplug the spot cleaner.

CLEANING THE FILTER GRILL

1. Remove the dirty water tank from the side of the unit.
2. Remove any dirt and debris from the filter grill as shown.



TROUBLESHOOTING

Review this table to find do-it-yourself solutions for minor performance problems. Any service needed, other than maintenance described in this Use & Care Guide, should be performed by a qualified service agent.



WARNING

Disconnect electrical supply before performing maintenance to the spot cleaner. Failure to do so could result in electrical shock or personal injury.

PROBLEM	POSSIBLE CAUSE	SOLUTION
The spot cleaner will not run.	Unplugged at wall outlet.	Plug in firmly.
	Defective wall outlet.	Check with a good appliance or lamp. Be sure the power cord plug is fully plugged into a good wall outlet.
	The motor is damaged.	Call 1-877-531-7321 (US) / 1-844-608-3081 (CA) for assistance.
Poor job of dirt pick-up.	Dirty water tank is not installed correctly.	Check the dirty water tank for correct installation. Ensure it is installed in place.
	Dirty water tank is full.	Empty the dirty water tank.
	The suction hose is clogged.	Clean the hose.
	Float valve is activated.	Empty the dirty water tank.

TROUBLESHOOTING

Water escapes from the spot cleaner.	Dirty water tank is full.	Empty the dirty water tank.
	Dirty water tank is not installed correctly.	Check the dirty water tank for correct installation. Ensure it is installed in place.
	Clean water tank is not installed correctly.	Check the clean water tank for correct installation. Ensure it is installed in place.
Reduced or no spray through nozzle of the cleaner.	Clean water tank is empty.	Fill the clean water tank.
	Clean water tank is not installed correctly.	Check the clean water tank for correct installation. Ensure it is installed in place.
Hose nozzle will not spray after filling the clean water tank.	Air is trapped in the pump and hose.	Turn on the spot cleaner. If hose does not spray, prime the pump by lowering the hose down to the floor and hold the trigger for up to 1 minute.
Hose nozzle will not spray hot water.	The spot cleaner is not in the Heated Mode.	Press the mode button to switch the cleaner into the Heated Mode.
	There is residual water in the flexible hose.	Spray the residual water in the flexible hose.
The Heated Mode indicator flashes red and the hose nozzle will not spray hot water.	The heater does not work.	Call 1-877-531-7321 (US) / 1-844-608-3081 (CA) for assistance.
Motor noise becomes high-pitched.	Dirty water tank is full.	Empty the dirty water tank.
	The suction hose is clogged.	Clean the hose.
	The float in the dirty water tank has been activated.	Empty and clean the dirty water tank.

Kenmore^{®/MD}

**Vacuum Cleaner Help Line
Aspiradoras Línea de Ayuda**

**Assistance téléphonique
pour les aspirateurs**

US: 1-877-531-7321

CA: 1-844-608-3081

8:00 am - 5:00 pm ET M-F

De 8 AM a 5 PM, de lunes a Viernes

De 8 h à 17 h HE lun à ven

