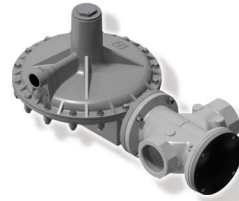


INNOVATIVE SOLUTIONS FOR YOUR NATURAL GAS APPLICATION NEEDS

THE NATURAL
CHOICE FOR ALL
OF YOUR GAS
NEEDS

ECCO

EQUIPMENT CONTROLS COMPANY



ECCO maintains an extensive inventory of gas pressure regulators, gas meters, couplings, shut-off valves, gas filters, strainers and gauges, and emergency solenoid shut-off valves.

With years of combined product and system experience, our experts use their unique applications knowledge and technical skills to understand your project requirements and suggest the best product solutions for the job.

Whether you are assembling a bid package and need specifications, planning new construction or a retrofit project, or repairing an existing system, ECCO consistently delivers the best solutions for our clients needs.

800.554.1036
sales@equipmentcontrols.com



Pietro Fiorentini

A global leader in designing and construction of components and systems for natural gas control, metering and treatment.



Manufacturer of meters and pressure regulators that enable customers to better manage, measure and control operations.



UTILITY SOLUTIONS GROUP

High-quality, versatile gas regulators made in the USA.



BelGAS is a leader in the design and manufacturing of high pressure regulators, low pressure regulators, and flow control products.



Designer and manufacturer of positive displacement rotary gas meters, electronic volume correctors and auxiliary equipment.



Manufacturer of high accuracy instruments that will optimize gas flow measurements.



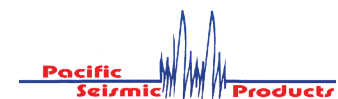
UL-Listed, hermetically-sealed Etter gas boosters are designed for the 21st century.



ASCO solenoid valves control critical flow from two-position on/off valves to flow control systems.



Keckley's industrial and commercial pipeline strainers are designed for a wide variety of applications.

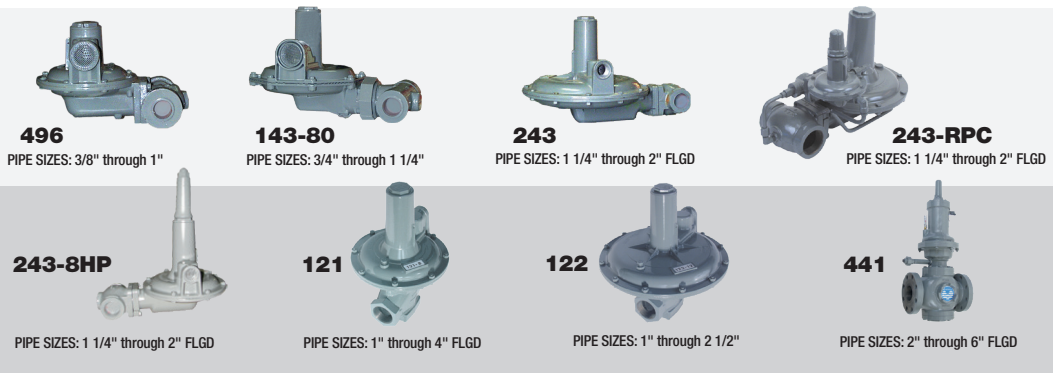


Manufacturing ASCE 25-06 listed seismic actuated valves for residential, commercial and industrial applications.

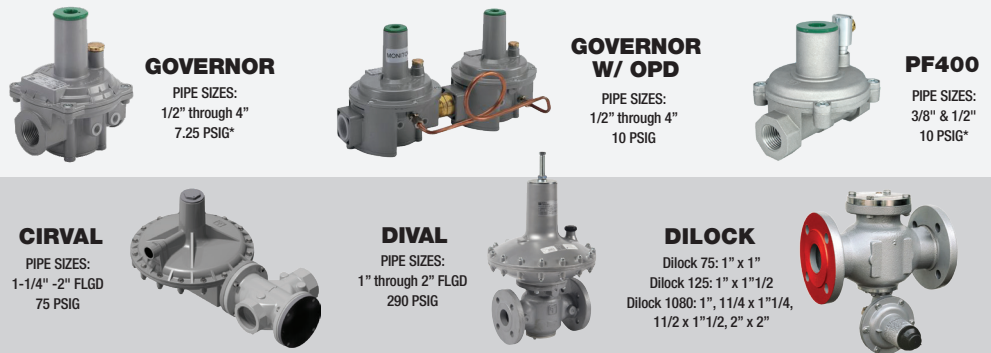
REGULATORS AVAILABLE FOR A VARIETY OF APPLICATIONS FROM SMALL BURNERS TO EXTREMELY HIGH PRESSURES AND CAPACITIES



- Flexible mounting options
- Full range of service and line pressure regulators
- Manufactured in accordance with ANSI B109
- Outdoor or indoor use



- Highest turndowns available 500:1 and 1000:1 capabilities
- ANSI Z21.80 Compliant
- Installed inside or outside
- Ventless configurations available
- Wide range of pressure and flows



Meters for small to very large capacities:



Speciality items available include:



Delivering quality solutions for your control valve, actuator and regulator needs since 1965.

800.554.1036 sales@equipmentcontrols.com

LinePressureRegulator.com