

# Pipe Hangers

## TOLCO™ Fig. 1CBS - Clevis Bolt Spacer

**Size Range:** Size 1" (25mm) thru 20" (500mm) clevis hanger

**Material:** Steel

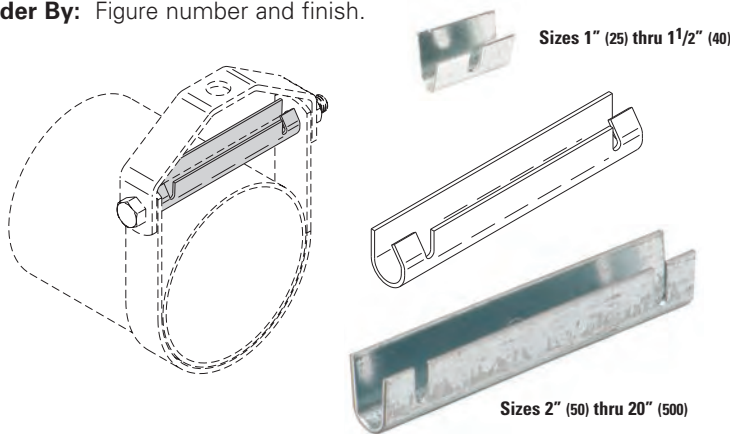
**Function:** Used as a spacer at a seismic brace location to keep clevis hanger from collapsing during seismic event.

**Approvals:** Included in our Seismic Engineering Guidelines approved by the State of California Office of Statewide Health Planning and Development (OSHPD). For additional load, spacing and placement information relating to OSHPD projects, please refer to our Seismic Engineering Guidelines OPM-0052-13, for 2½" - 8" (B3100) only

**Installation Note:** Fig. 1CBS fits easily over the cross bolt and attaches by pinching tabs down.

**Finish:** Pre-Galvanized. Contact customer service for alternative finishes and materials.

**Order By:** Figure number and finish.



## OPM

Part No.	Pipe Size		Approx. Wt./100	
	in.	(mm)	lbs.	(kg)
1CBS-1	1"	(25)	3.2	(1.4)
1CBS-1¼	1¼"	(32)	4.1	(1.8)
1CBS-1½	1½"	(40)	4.8	(2.2)
1CBS-2	2"	(50)	9.4	(4.2)
1CBS-2½	2½"	(65)	11.4	(5.2)
1CBS-3	3"	(75)	13.9	(6.8)
1CBS-3½	3½"	(90)	16.0	(7.2)
1CBS-4	4"	(100)	18.0	(8.1)
1CBS-5	5"	(125)	27.3	(12.4)
1CBS-6	6"	(150)	32.5	(14.7)
1CBS-8	8"	(200)	42.5	(19.2)
1CBS-10	10"	(250)	72.7	(32.9)
1CBS-12	12"	(300)	86.3	(39.1)
1CBS-14	14"	(350)	157.6	(71.5)
1CBS-16	16"	(400)	183.7	(83.3)
1CBS-18	18"	(450)	224.6	(101.9)
1CBS-20	20"	(500)	254.0	(115.2)

## TOLCO™ Fig. 25 - Surge Restrainer

**Size Range:** — One size fits ¾" (20mm) thru 2" (40mm) pipe.

**Material:** — Pre-Galvanized Steel

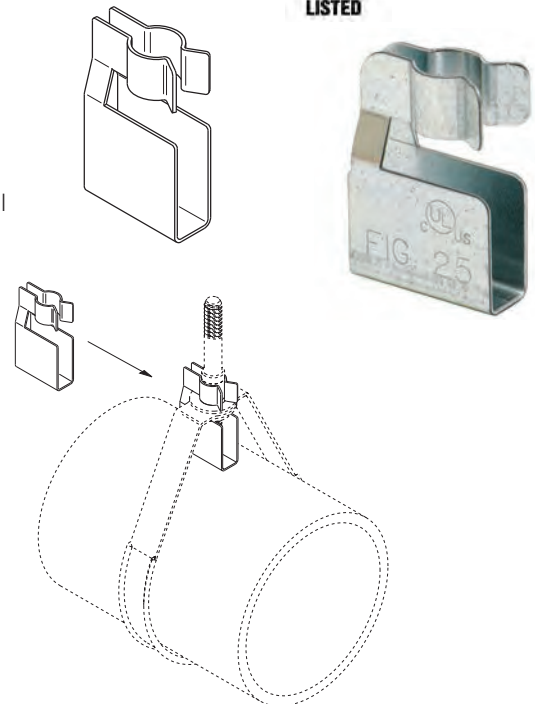
**Function:** — Designed to be used in conjunction with Fig. 200 band hangers to restrict the upward movement of piping as it occurs during sprinkler head activation or earthquake type activity. The surge restrainer is easily and efficiently installed by snapping into a locking position on the band hanger. This product is intended to satisfy the requirements as indicated in the National Fire Protection Association NFPA 13, 2016 edition, 9.2.3.4.4.1 and 9.2.3.4.4.4. Can be used to restrain either steel pipe or CPVC plastic Pipe.

**Approvals:** — Underwriters Laboratories Listed only when used with band hanger Fig. 200, in the USA (UL) and Canada (cUL).

**Finish:** Pre-Galvanized

**Order By:** Figure number and band hanger, size from ¾" (20mm) thru 2" (40mm).

Patent #5,344,108



Part No.	Approx. Wt./100	
	lbs.	(kg)
25	4.8	(2.2)

All dimensions in charts and on drawings are in inches. Dimensions shown in parentheses are in millimeters unless otherwise specified.