

# CPVC Clamps

## B3184 - Offset Hanger for CPVC Plastic Pipe and IPS Pipe

**Size Range:** 3/4" (20mm) thru 2" (32mm)

**Material:** Pre-Galvanized Steel

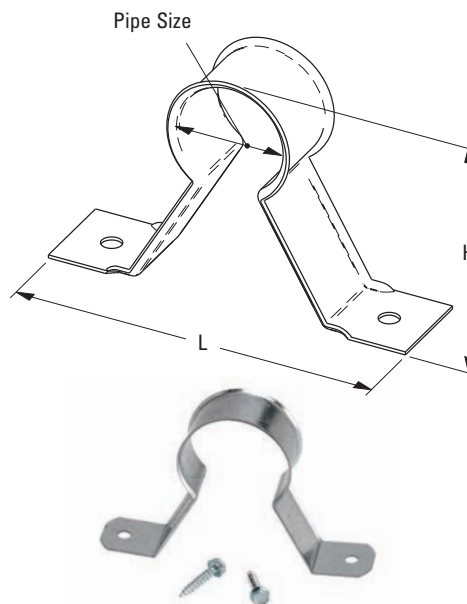
**Function:** Designed to be used as a hanger for CPVC piping or steel piping where the "stand-off" design will ease installation by eliminating the need for wood blocking.

**Features:**

- Flared edge design protects CPVC pipe from any rough or abrasive surfaces
- The "Stand-Off" design eliminates the need for wood block extension
- Can be installed on horizontal or vertical piping regardless of mounting surface orientation
- Attaches easily to wood structure with two hex head self-threading screws furnished with product

**Installation Note:** When installed in wood structural members and threads from the #10 x 1" screws are exposed, use Fig. 27B speed nut to secure

**Order By:** Part number and pipe size



| Part No.    | CPVC Pipe Size |      | H Overall |        | L Overall |         | Max. Hanger Spacing |        | Fastener Hex Head Size |       | Approx. Wt./100 Lbs. (kg) |       |
|-------------|----------------|------|-----------|--------|-----------|---------|---------------------|--------|------------------------|-------|---------------------------|-------|
|             | in.            | (mm) | in.       | (mm)   | in.       | (mm)    | ft.                 | (m)    | in.                    | (mm)  | Lbs.                      | (kg)  |
| B3184-3/4   | 3/4"           | (20) | 29/16"    | (65.1) | 4 1/4"    | (107.9) | 5 1/2               | (1.67) | 5/16"                  | (7.9) | 9.0                       | (4.1) |
| B3184-1     | 1"             | (25) | 2 13/16"  | (71.4) | 4 1/2"    | (114.3) | 6                   | (1.83) | 5/16"                  | (7.9) | 10.0                      | (4.5) |
| B3184-1 1/4 | 1 1/4"         | (32) | 3 3/16"   | (81.0) | 4 5/8"    | (117.5) | 6 1/2               | (1.98) | 5/16"                  | (7.9) | 12.0                      | (5.4) |
| B3184-1 1/2 | 1 1/2"         | (40) | 3 7/16"   | (87.3) | 5"        | (127.0) | 7                   | (2.13) | 5/16"                  | (7.9) | 12.0                      | (5.4) |
| B3184-2     | 2"             | (50) | 3 7/8"    | (98.4) | 5"        | (127.0) | 8                   | (2.44) | 5/16"                  | (7.9) | 15.0                      | (6.8) |



## TOLCO™ Fig. 75 - Swivel Attachment

**Size Range:** — 3/8"-16 Rod Attachment

**Material:** Steel

**Function:** Three recommended applications for this product:

- May be used as a branch line restraint for structural attachment to anchor bolt, beam clamp, etc.
- May be used as an upper attachment with short hanger rod to omit seismic bracing.
- May be used in a pitched or sloped roof application, to meet requirements of NFPA 13 (2010) 9.1.2.6.

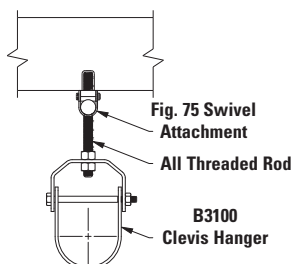
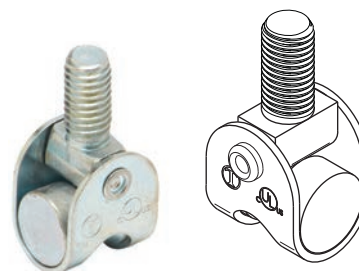
**Approvals:** Underwriters Laboratories Listed in the USA (UL) and Canada (cUL) to support up to 4" (100mm) pipe.

**Finish:** Electro-Galvanized

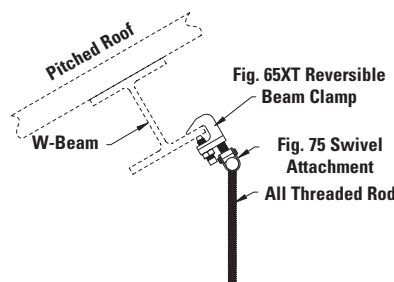
**Weight:** Approx. Wt./100 - 13.3 Lbs. (6.0kg)

**Order By:** Part number

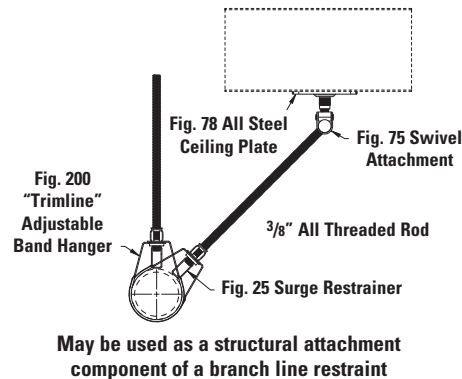
Patent: #7,887,248



May be used as an upper attachment with short hanger rod to omit seismic bracing



May be used with a pitched roof application, to meet requirements of NFPA 13 (2010-2016) Sec. 9.1.2.6.



May be used as a structural attachment component of a branch line restraint