

IHI UL/CSA Installation Guide to Drill or Enlarge Mounting Holes:  
<https://lugsdirect.com/PDF Documents/IHI-MTG-HOLE-FIELD-MODS-UL&CSA-CERTIFICATIONS.pdf>

Cat. No. 2S2/0 Style No. 5

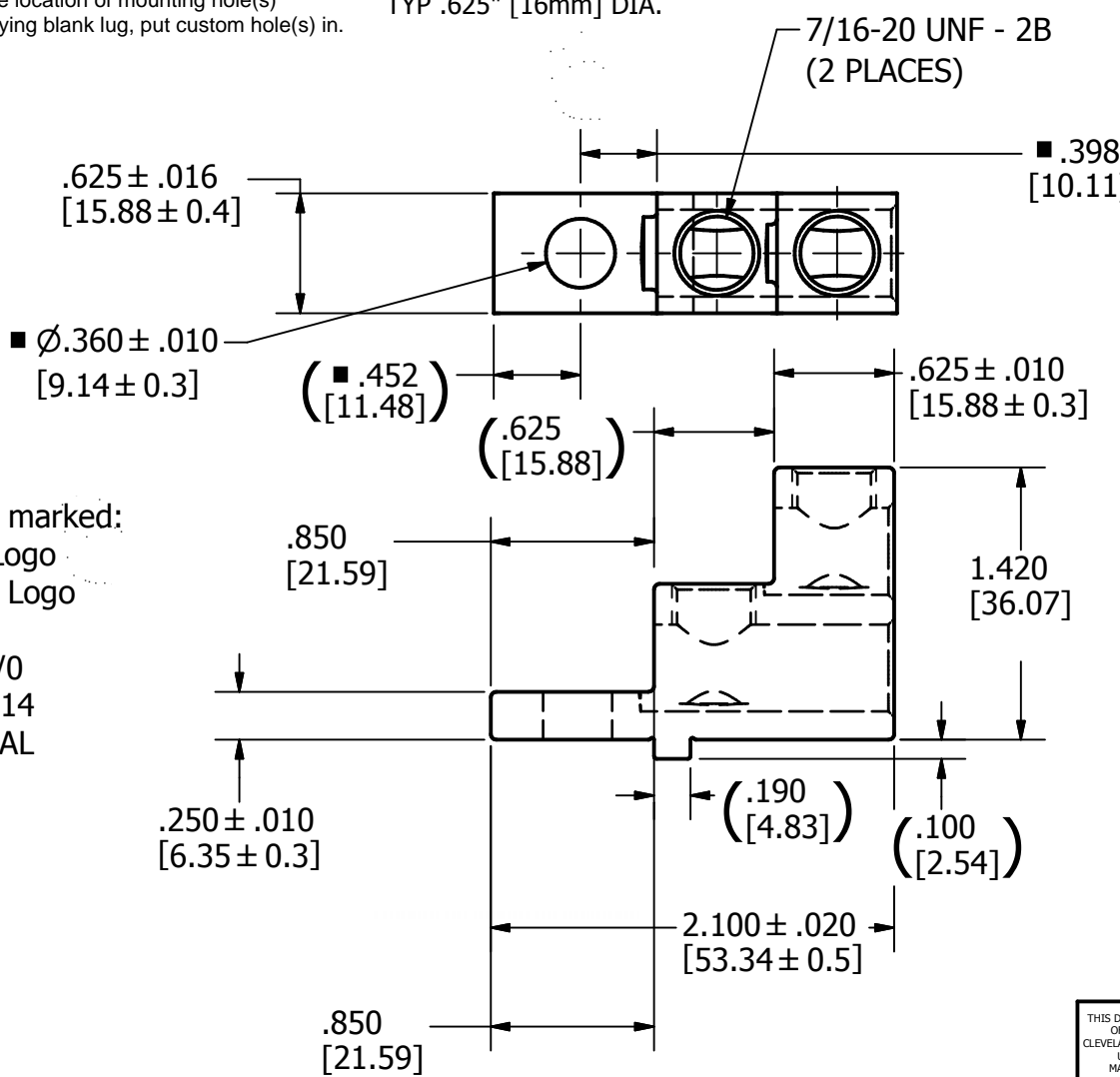
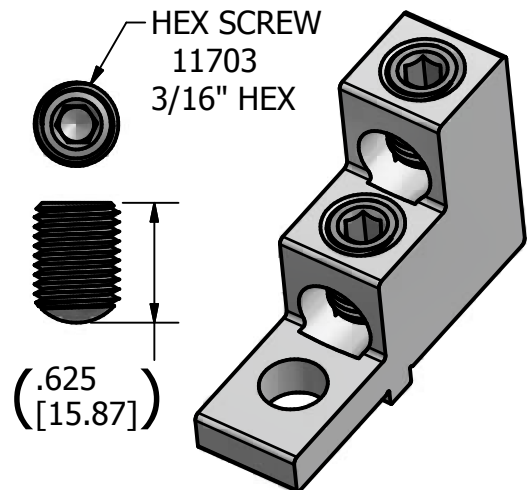
■ Drill, Enlarge, or Modify Mounting Holes

UL/CSA Files allow field modification to

- 1) Increase hole(s) dia. to 7/16 bolt.
- 2) Move location of mounting hole(s)
- 3) If buying blank lug, put custom hole(s) in.

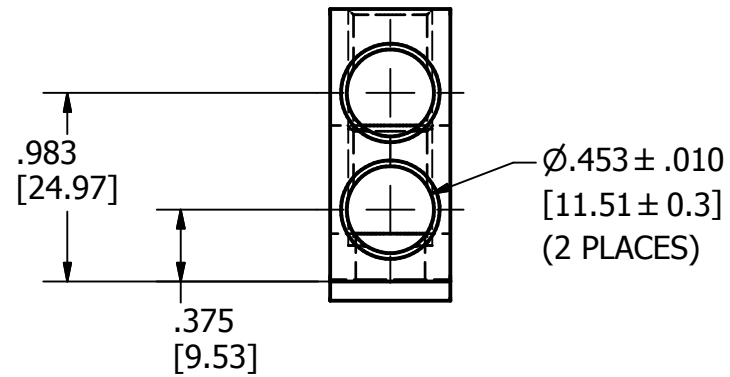
FOR ABB SWITCH BUS MOUNT WIDE 5/16" BOLT OR M8 BOLT.

USE METRIC DIN 127 2A STANDARD M8 WASHER  
 TYP .625" [16mm] DIA.



(.625 [15.87])

[ALT. SLOTTED SCREW  
 P/N 14225  
 ALT. METRIC HEX SCREW  
 P/N 11703-M 5mm KEY]



Part marked:  
 UL Logo  
 CSA Logo  
 IHI  
 2S2/0  
 2/0-14  
 CU9AL

NOT FOR USE WHERE FAILURE CREATES A HAZARD TO HUMAN HEALTH OR SAFETY.  
 ALL PRODUCTS ARE SUBJECT TO THIS FULL DISCLAIMER:  
<http://www.ihiconnectors.com/disclaimer.html>

FOR FURTHER INFORMATION ON THE PROPER USE OF THIS PRODUCT IN SPECIFIC APPLICATIONS SEE  
<http://www.ihiconnectors.com/GuideToFlexFlexibleFineStrandedWireCableMechanicalLugsFAQ.html>

<http://www.ihiconnectors.com/Technical-Data-Installation.htm>

THIS DRAWING AND DESIGN ARE THE PROPERTY OF INTERNATIONAL HYDRAULICS, INC., CLEVELAND, OHIO, AND MAY NOT BE DUPLICATED, USED FOR THE BASIS OF DESIGN OR MANUFACTURE WITHOUT THE WRITTEN PERMISSION OF INTERNATIONAL HYDRAULICS, INC., CLEVELAND, OHIO.		INTERNATIONAL HYDRAULICS, INC.	
GENERAL TOLERANCES ±.015 (±0.038)		TITLE: DUAL S 2/0-14 LUG	
MATERIAL: 6061-T6 X1075TP-STK2		SIZE: A	DRAWN BY: TDS
FINISH: TIN PLATED		DATE: 10/26/20	DWG NO.: 2S2-0-TP-STK2-36-40-HEX (SALES) REV: 1
		IHI CONNECTORS	