



CHAMPION 100424 27 Ton Full Beam Log Splitter Instructions

[Home](#) » [Champion](#) » CHAMPION 100424 27 Ton Full Beam Log Splitter Instructions

Contents [[hide](#)]

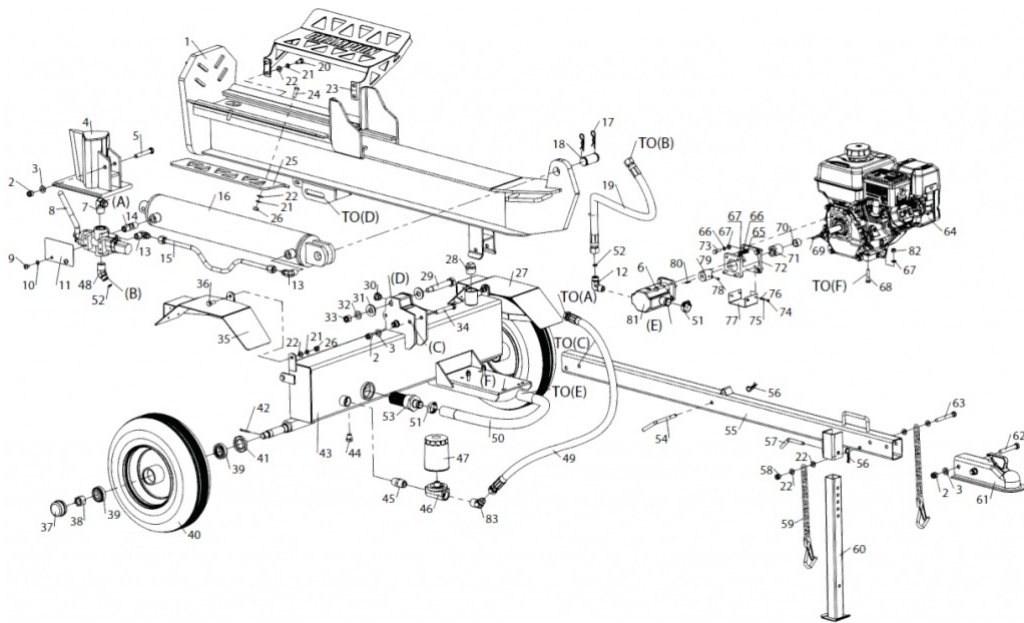
- [1 CHAMPION 100424 27 Ton Full Beam Log Splitter](#)
- [2 Parts Diagram](#)
 - [2.1 Parts List](#)
- [3 Engine Parts Diagram 27.103](#)
 - [3.1 Engine Parts List 27.103](#)
- [4 Engine Parts Diagram R224P](#)
 - [4.1 Engine Parts List R224P](#)
- [5 Documents / Resources](#)
 - [5.1 References](#)
- [6 Related Posts](#)



CHAMPION 100424 27 Ton Full Beam Log Splitter



Parts Diagram



Parts List

#	Part Number	Description	Qty.
1	PMJ25M-01-00	Beam	1
2	G889.1-2000-M12	Lock Nut M12	5
3	G95-2000-12	Washer Ø12	5
4	PMJ25M-02-00	Wedge Slide	1

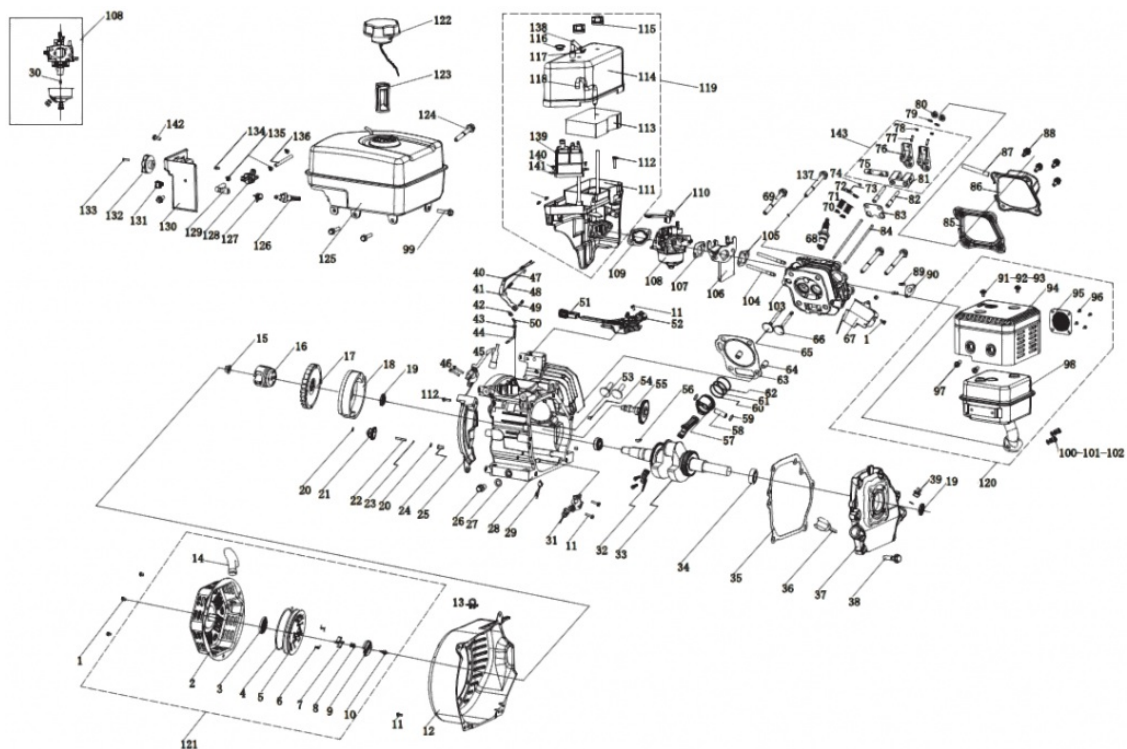
5	G5782-2000-M12-75	Bolt M12×75(12.9)	1	
6	G5783-2000-M8-30	Bolt M8×30	4	
7	PMJ25Y-23	JIC90 Joint	1	
8	PMJ25M-12	Control Valve	1	
9	G818-2000-M8-12	Bolt M8×12	2	
10	G859-1987-8	Washer Ø8	2	
11	PMJ22J-19	Plate	1	
12	PMJ25M-16	Outlet Connector Of Pump	1	
13	PMJ25M-29	Right Angle Joiner	2	
14	PMJ22M-22	Valve Joiner	1	
15	PMJ25M-28	Hydraulic Hose (Valve-Cylinder)	1	
16	PMJ25M-08-00	Cylinder	1	
17	GJY12-3	R Pin	2	
18	PMJ25M-13	Wedge Pin	1	
19	PMJ25M-15A	High Pressure Hydraulic Hose(Valve-Pump)	1	
20	G5781-2000-M10-20	Bolt M10×20	4	
21	G93-1987-10	Lock Washer Ø10	10	
22	G95-2000-10	Washer Ø10	14	
23	PMJ25M-36-00	Log Catcher	1	
24	G70.2-2000-M10-30	Bolt M10×30	2	
25	PMJ25M-31	Short Log Catcher	1	
26	G6170-2000-M10	Nut M10	6	
27	PMJ22G-35-00	Right Fender	1	

28	PMJ22G-18	Screw NPT 1 in.	1
29	PMJ25M-19	Bolt M18×115	1
30	G1160.2-89	Oil Scale	1
31	PMJ25M-14	Washer	2
32	G95-2000-14	Washer Ø14	1
33	G889.1-2000-M14	Lock Nut M14	1
34	G5782-2000-M12-85	Bolt M12×85	2
35	PMJ22G-34-00	Left Fender	1
36	G5783-2000-M10-25	Bolt M10×25	4
37	PMJ22J-05-02	Axle Cap	2
38	G9459-1988-M20-1.5	Slotted Nut M20×1.5	2
39	L44634 LYC DS	Tapered Bearing	4
40	PMJ37N-05-03	Wheel	2
41	PMJ22J-05-01	Cased Seal	2
42	G91-2000-4-32	Cotter Pin Ø4×32	2
43	PMJ25M-04-00	Oil Tank	1
44	PMJ22G-19	Oil Plug	1
45	PMJ22Q-23	Through Joint	1
46	PMJ25M-20-00	Auto Filter Base	1
47	PMJ22G-52	Auto Filter	1
48	PMJ20J-17	Filter Housing "OUT" Connection	1

49	PMJ25Y-22	Low Pressure Hydraulic Hose(Valve-Oil Tank)	1	
50	PMJ25M-17	Suction Hose	1	
51	J8870-1999-d32	Clamp d32	2	
52	G3452.1-92-10-2.65	“O” Ring Ø10×2.65	2	
53	PMJ22Q-20A	Internal Oil Filter	1	
54	PMJ22J-15	Pin	1	
55	PMJ25M-03-00	Base Tube	1	
56	PMJ22G-30	R Pin	2	
57	PMJ22J-10	Pin	1	
58	G889.1-2000-M10	Lock Nut M10	1	
59	PMJ25M-18-00	Safety Chain With Hook	2	
60	PMJ22J-07-00	Front Support Leg	1	
61	PMJ22G-40	2-in. Coupler	1	
62	G5782-2000-M12-80	Bolt M12×80	2	
63	G5782-2000-M10-85	Bolt M10×85	1	
64	27.103 SN: ≤20020425 R224P-B00DY SN: 20030001+	Engine	1	
65	G6170-2000-M8	Nut M8	4	
66	G93-1987-8	Lock Washer Ø8	8	
67	G95-2000-8	Washer Ø8	12	
68	G5782-2000-M8-40	Bolt M8×40	4	
69	G1096-1979-5-36	Flat Key 5×36	1	
70	PMJ22G-29	Engine Bushing	1	
71	PMJ22G-28	Engine Connector	1	
72	PMJ22G-27	Gear Pump Stand	1	

73	ASME-B18.2.1-1996 -516-24-1	Bolt 5/16 in.-24x1 in.	4
74	G818-2000-M4-10	Cross Head Screw M4x10	4
75	G859-1987-4	Lock Washer Ø4	4
76	G848-1985-4	Washer Ø4	4
77	PMJ22G-32	Connector Cover	1
78	G77-2000-M6-10	Screw M6x10	1
79	PMJ22G-26	Gear Pump Connector	1
80	G1096-1979-3.18-25.4	Flat Key 3.18x2.54	1
81	PMJ22J-14	Gear Pump	1
82	G889.1-2000-M8	Lock Nut M8	4
83	PMJ25Y-24	135 Degree Tapered Hydraulic Fitting	1
82	G889.1-2000-M8	Lock Nut M8	4

Engine Parts Diagram 27.103



Engine Parts List 27.103

#	Part Number	Description	Qty.
1	1.5789.0608	Flange Bolt M6 x 8	5
2	22.061100.00.1	Cover, Recoil Starter, Black	1

3	21.061005.00	Spring, Recoil Starter	1
4	2.10.003.1	Rope Ø4 × 1550, Black	1
5	21.061001.01	Reel, Recoil Starter	1
6	45.060003.00	Spring, Ratchet	2
7	45.060002.00	Starter Ratchet, Steel	2
8	45.060009.00	Spring Guide, Ratchet	1
9	45.060007.00	Ratchet Guide	1
10	45.060008.00	Screw, Ratchet Guide	1
11	1.5789.0612	Flange Bolt M6 × 12	8
12	27.080100.05.48	Fan Cover, Yellow	1
13	2.05.002	Clamp Ø9.5 × 5	1
14	21.061300.00	Handle, Recoil, Soft	1
15	2.02.006	Nut M14 × 1.5	1
16	83.060001.01	Pulley, Starter	1
17	27.080001.00	Cooling Fan	1
18	24.120100.06	Flywheel	1
19	2.11.001	Oil Seal Ø25 × Ø41.3 × 6	2
20	2.03.020.1	Washer Ø6.2 × Ø15 × 0.5, Black	2
21	21.110100.00	Gear, Governor	1
22	21.110013.00	Shaft, Governor Gear	1
23	21.110011.00	Clip, Governor Gear	1
24	21.110012.01	Bushing, Governor Gear	1
25	23.080600.00	Air Guide, Right	1
26	2.08.037	Drain Bolt M10 × 1.25 × 25	2
27	2.03.016	Washer Ø10 × Ø16 × 1.5, Drain Bolt	2
28	27.030100.00	Crankcase	1
29	21.120400.01	Diode Assembly	1
30	27.131017.04	Main Jet, Standard	1
	27.131017.04.01	Main Jet, Altitude	/
31	21.127000.02	Oil Level Sensor	1
32	27.050200.00	Connecting Rod	1
33	27.050100.01	Crankshaft, Q	1
34	1.276.6205	Bearing 6205	2

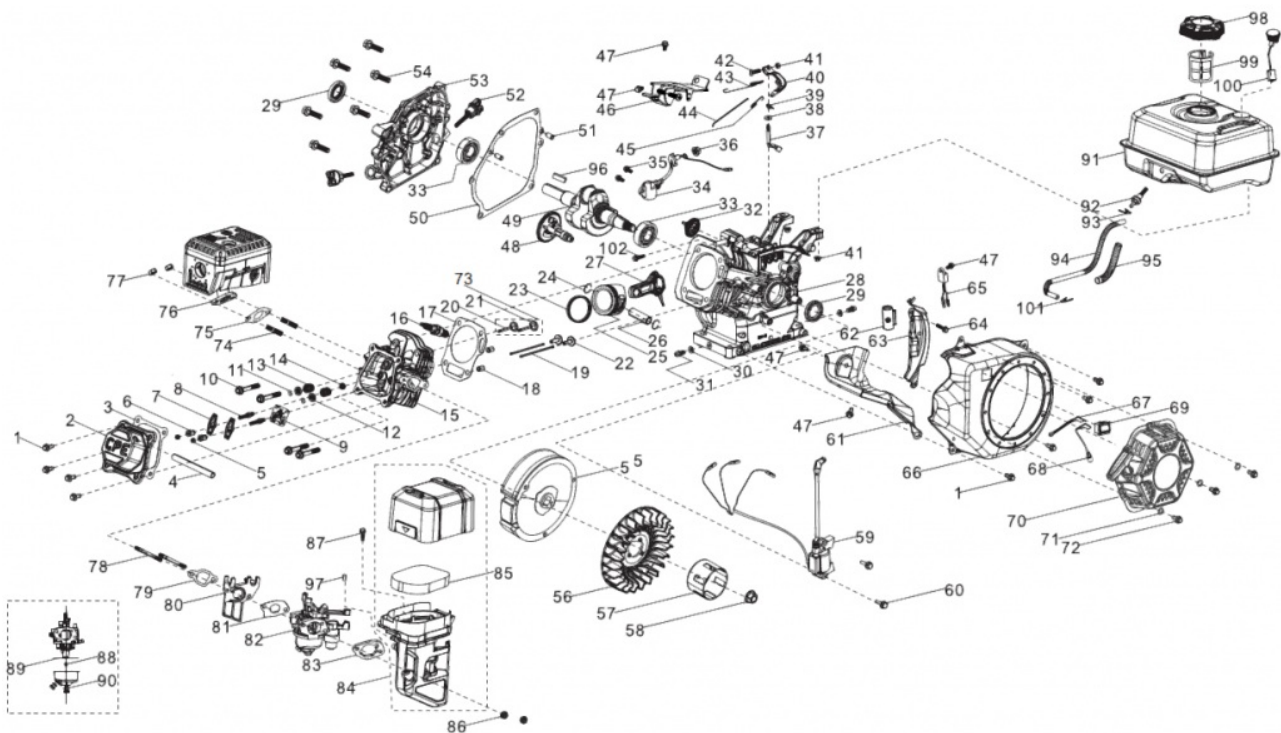
35	24.030008.00	Gasket, Crankcase Cover	1
36	22.031000.00.48	Oil Dipstick Assembly, Yellow	1
37	24.030007.00	Cover, Crankcase	1
38	1.5789.0832	Flange Bolt M8 × 32	6
39	22.031000.01.48	Oil Filler Cap, Yellow	1
40	23.110005.01	Spring, Throttle Return	1
41	27.110003.00	Arm, Governor	1
42	1.6177.06	Flange Nut M6	3
43	2.03.021.1	Washer, Ø6.4 × Ø13 × 1, Black	1
44	21.110001.00	Shaft, Governor Arm	1
45	22.123000.02	Ignition Coil	1
46	1.5789.0625	Flange Bolt M6 × 25	2
47	23.110006.00	Rod, Governor	1
48	27.110007.01	Spring, Governor	1
49	2.08.040	Bolt M6 × 21, Governor Arm	1
50	21.110008.00	Pin, Shaft	1
51	24.111008.01.48	Grip Sheath, Speed Governor, Yellow	1
52	24.111000.01	Control Assembly	1
53	25.040013.00	Lifter, Valve	2
54	2.04.001	Dowel Pin Ø9 × 14	2
55	27.041000.01	Camshaft	1
56	2.14.012	Woodruff Key 4 × 7.5 × 19	1
57	27.050005.00	Piston	1
58	23.050003.00	Pin, Piston	1
59	2.09.001	Circlip Ø18 × Ø1	2
60	27.050303.00	Ring, Oil	1
61	27.050302.00	Ring, Second Piston	1
62	27.050301.00	Ring, First Piston	1
63	27.030009.01	Gasket, Cylinder Head	1
64	2.04.003	Dowel Pin Ø10 × 14	2
65	23.040002.02	Valve, Intake	1
66	23.040006.02	Valve, Exhaust	1

67	26.080400.00	Air Guide, Lower	1
68	2.15.002(F6RTC)	Spark Plug F6RTC	1
69	1.5789.0865	Flange Bolt M8 × 65	3
70	23.040017.00	Oil Seal, Valve	2
71	21.040003.00	Spring, Valve	2
72	21.040007.00	Retainer, Exhaust Valve Spring	1
73	21.040001.00	Retainer, Intake Valve Spring	1
74	21.040008.00	Rotator, Exhaust Valve	1
75	24.040202.00	Shaft, Rocker Arm	1
76	22.040009.00	Rocker Arm	2
77	22.040012.00	Screw, Valve Adjustment	2
78	21.040021.00	Nut M6 × 0.5, Lock	2
79	1.97.1.06	Washer Ø6	2
80	1.6177.1.06	Flange Nut M6	2
81	24.040201.00	Retainer, Rocker Arm	1
82	23.040010.00	Bolt, Rocker Arm	2
83	24.040004.00	Guide Plate, Push Rod	1
84	27.040005.00	Push Rod	2
85	21.020002.01	Gasket, Cylinder Head Cover	1
86	24.021000.00	Cover, Cylinder Head	1
87	21.020001.00	Breather Tube	1
88	1.5789.0615	Flange Bolt M6 × 15	4
89	2.01.010	Stud Bolt M8 × 35	2
90	26.100001.00	Gasket, Exhaust Pipe	1
91	1.16674.0510	Flange Bolt M5 × 10	2
92	1.848.05	Washer Ø5	2
93	1.93.05	Lock Washer Ø5	2
94	24.101202.00	Muffler Protector	1
95	46.101300.05	Muffler Screen	1
96	1.818.0406	Screw M4 × 6	4
97	1.9074.4.0510	Screw/Washer Assembly M5 × 10	2
98	24.101100.00	Muffler Assembly	1
99	2.08.154	Flange Bolt/Washer Assembly M6 × 20	3

100	1.6175.08	Nut M8	2
101	1.848.08	Washer Ø8	2
102	1.93.08	Lock Washer Ø8	2
103	26.010100.01	Cylinder Head, 224cc	1
104	2.01.009	Stud Bolt M6 × 110	2
105	24.130002.00	Gasket, Insulator	1
106	23.130001.00	Insulator, Carburetor	1
107	22.130003.00	Gasket, Carburetor	1
108	27.131000.04	Carburetor	1
	27.131000.09		
109	21.130004.00	Gasket, Air Cleaner	1
110	21.130100.00	Choke Handle	1
111	24.091100.01	Base, Air Cleaner	1
112	1.5789.0620	Flange Bolt M6 × 20	2
113	24.091003.02	Element, Air Cleaner	1
114	24.091200.02	Cover, Air Cleaner	1
115	24.091600.01	Screw Cap, Air Clean Cover	2
116	2.12.001	Buffer Ø7.5 × 7.5	1
117	2.06.006	Clamp Ø7 × Ø1	1
118	22.070013.00	Pipe, Air Cleaner	1
119	24.091000.02	Air Cleaner Assembly	1
120	24.101000.00.2	Muffler Assembly	1
121	22.061000.00	Recoil Assembly	1
122	24.070100.02	Cap, Fuel Tank	1
123	81.070301.00	Fuel Filter, Fuel Tank	1
124	2.08.156	Flange Bolt/Washer Assembly M6 × 33	1
125	24.071000.01.1	Fuel Tank	1
126	21.070600.03	Fitting, Fuel Tank	1
127	2.06.016	Clamp Ø8.7 × b8	1
128	24.070400.00	Fuel Valve	1
129	24.070011.01	Pipe, Ø4.5 × (30 + 30)	1
130	24.070010.00	Veil, Fuel Tank	1
131	5.1010.003.3	Ignition Switch, Red	1

132	24.070001.00	Fuel Knob	1
133	1.818.0412	Bolt M4 × 12	1
134	1.16674.0512.2	Flange Bolt M5 × 12	1
135	2.06.007	Clamp Ø8 × b6	3
136	24.070011.00	Fuel Pipe Ø4.5 × Ø9.5 × 230	1
137	2.08.121	Flange Bolt M10 × 65	1
138	22.070014.00	Pipe, Reversal Valve	1
139	24.070700.00	Carbon Canister, 45cc	1
140	1.845.2995	Screw ST2.9 × 9.5	2
141	2.03.037	Washer Ø3.2 × Ø14 × 1	2
142	1.5789.0612.3	Flange Bolt M6 × 12	2
143	24.040200.00	Rocker Arm Assembly	1

Engine Parts Diagram R224P



Engine Parts List R224P

#	Part Number	Description	Qty.
1	90001-0612-0101	Hexagon Flange Bolt, M6 × 12, Blue White Zinc	8
2	12410-Z440110-0001	Cylinder Head Cover Subassembly, Blue White Zinc	1
3	12004-Z440110-00A0	Cylinder Head Cover Gasket	1
4	17004-Z440110-0002	Tube, Breather, Ø8 × Ø12 × 90	1

5	14312-Z010110-0000	Valve Lock Nut	2
6	14314-Z010110-0000	Valve Adjusting Nut	2
7	14311-Z010110-0000	Valve Rocker	2
8	14313-Z010110-0000	Valve Adjusting Bolt	2
9	14090-Z010110-0000	Lifter Stopper Plate Subassembly, Blue White Zinc	1
10	12003-Z010110-0001	Cylinder Head Bolt, M8 × 60, Blue White Zinc	4
11	12109-Z810110-0000	Valve Lock Clamp	4
12	12112-Z810210-0000	Valve Spring Retainer	2
13	12103-Z010110-0000	Valve Spring	2
14	12101-Z810210-0000	Seal Guide	1
15	12140-Z810210-00A0	Cylinder Head Subassembly	1
16	30010-Z010110-0000	Spark Plug, F6RTC	1
17	12131-Z950210-0000	Cylinder Head Gasket	1
18	90502-1114-00A0	Pin, 11 × 14	2
19	14071-Z440110-0000	Valve Lifter	2
20	12121-Z810120-0000	Exhaust Valve	1
21	12111-Z810110-0000	Inlet Valve	1
22	14081-Z040110-0000	Valve Tappet	2
23	13200-Z140210-00A9	Piston Ring Assembly	1
24	13122-Z510210-0000	Piston Pin Clip	2
25	13111-Z810120-00A0	Piston	1
26	13121-Z810110-0000	Piston Pin, Ø13 × Ø45.9	1
27	13010-Z810210-00A0	Connecting Rod	1
28	11310-Z810120-00A9	Crankcase Subassembly	1
29	90682-Z300110-0001	Oil Seal, Ø25 × Ø41.25 × 6	2
30	90408-Z010110-00A0	Washer, Ø10 × Ø15.8 × 1.5	2
31	11007-Z010110-0001	Drain Plug Bolt, M10 × 1.25 × 15, Blue White Zinc	2
32	16400-Z810210-0000	Governor Gear Assembly	1
33	90547-0205-00	Bearing	2
34	37060-Z010120-0001	Engine oil Sensor, W/O Nut	1
35	90001-0614-01A0	Hexagon Flange Bolt, M6 × 14, Blue White Zinc	2
36	90305-Z010210-0101	Hexagon Flange Nut, M10, Blue White Zinc	1


37	16061-Z010110-0000	Governor Arm	1
38	90408-Z010210-00A0	Washer, Ø6.2 × Ø15 × 0.6	1
39	90501-Z010110-0001	Pin, Blue White Zinc	1
40	16070-Z010110-0001	Governor Support Subassembly, Blue White Zinc	1
41	90305-0600-3101	Hexagon Flange Nut, M6, Blue White Zinc	3
42	16072-Z010110-0001	Governor Support Bolt, M6 × 21, Blue White Zinc	1
43	16063-Z810110-0001	Spring, Governor	1
44	16062-Z010110-0001	Governor Rod, Blue White Zinc	1
45	16012-Z010310-0000	Throttle Valve Returning Spring	1
46	16520-Z012510-0100	Throttle Control Assembly, Blue White Zinc	1
47	90001-0610-0101	Hexagon Flange Bolt, M6 × 10, Blue White Zinc	5
48	14200-Z810310-0000	Camshaft Assembly	1
49	13300-Z812110-0000	Crankshaft Assembly	1
50	11001-Z440110-00A0	Crankcase Gasket	1
51	90502-0912-00A0	Pin, 9 × 12	2
52	15010-Z290110-L401	Oil Dipstick Subassembly	2
53	11411-Z440410-00A0	Crankcase Cover	1
54	90001-0832-0101	Hexagon Flange Bolt, M8 × 32, Blue White Zinc	6
55	13510-Z440410-0000	Flywheel Subassembly	1
56	19352-Z440110-0001	Impeller	1
57	28002-Z0L0110-0000	Starter Pulley, Blue White Zinc	1
58	13501-Z010110-00A0	Flywheel Nut, M14 × 1.5, Blue White Zinc	1
59	30400-Z441010-0001	Ignition Coil	1
60	90001-0625-01A0	Hexagon Flange Bolt, M6 × 25, Blue White Zinc	2
61	19304-Z010610-0001	Cylinder Body Shroud, Blue White Zinc	1
62	90684-Z010510-0000	Clip	1
63	19340-Z011010-0000	Lower Shield, Blue White Zinc	1
64	90001-0616-01A0	Hexagon Flange Bolt, M6 × 16, Blue White Zinc	1
65	37050-Z010210-0001	Oil Protector, Blue White Zinc	1
66	28110-Z810310-L400	Shroud	1
67	35555-Z810110-0000	Switch Connector Grounding Wire	1
68	35541-Z010610-0000	Stop Engine Connecting Wire	1
69	35540-Z010610-R901	Stop Engine Switch Subassembly	1

70	28200-Z141210-H200	Recoil Starter Assembly	1
71	90408-0600-03	Washer, Black Zinc	3
72	90001-0608-03	Hexagon Flange Bolt, M6 × 8, Black Zinc	3
73	12110-Z810120-0099	Valve Set	1
74	90203-Z010110-0000	Stud, M8 × 34, Black Zinc	2
75	18001-Z440110-00A0	Exhaust Gasket	1
76	18100-Z140411-0003	Muffler Assembly	1
77	90303-0800-3101	Hexagon Nut, M8, Blue White Zinc	2
78	90204-Z620110-00A0	Stud, M6 × 115, Black Zinc	2
79	16002-Z010110-0000	Carburetor Insulator Gasket	1
80	16003-Z010110-0000	Carburetor Insulator Plate	1
81	16001-Z010110-0000	Carburetor Gasket	1
82	16100-Z811411-00M3	Carburetor Assembly	1
83	17001-Z010210-0000	Air Cleaner Gasket	1
84	17100-Z011910-00A1	Air Cleaner	1
85	17151-Z2M0110-0000	Air Cleaner Element	1
86	90305-0600-33	Hexagon Flange Nut, M6, Black Zinc	2
87	90007-0630-A1A0	Hexagon Flange Bolt, M6 × 30, Blue White Zinc	1
88	16161-Z152010-0000	Main Jet, Standard	1
	16161-Z151810-0000	Main Jet, Altitude 3000-6000 Feet	/
	16161-Z151610-0000	Main Jet, Altitude 6000-8000 Feet	/
89	16112-Z010110-0000	Seal Ring, Float	1
90	90681-Z0106100-0000	Seal Ring	1
91	16620-Z810310-H200	Fuel Tank	1
92	16680-Z010210-0000	Fuel Tank Oil Outlet Subassembly	1
93	90740-Z010510-00A1	Clamp	1
94	90686-Z010710-00M1	Fuel Pipe, Ø4.5 × Ø8.5 × 160	1
95	30431-Z010110-0003	Rubber Jacket, Ø9.5 × Ø11 × 90, Black	1
96	90521-U060110-00A0	Key	1
97	90722-Z2R0110-0000	End Plug	1
98	16730-Z440810-LK01	Fuel Tank Cap	1
99	16652-Z010810-0001	Fuel Strainer	1
100	37200-Z810210-0001	Fuel Gauge	1

101	90685-Z030610-01A1	Clamp, Ø8 x 7 x 0.6	1
102	90001-0630-0101	Hexagon Flange Bolt, M6 x 30, Blue White Zinc	1



Documents / Resources

	CHAMPION 100424 27 Ton Full Beam Log Splitter [pdf] Instructions 27 Ton Full Beam Log Splitter, 100424
---	---

References

- [CPE Home | Champion Power Equipment Store](#)