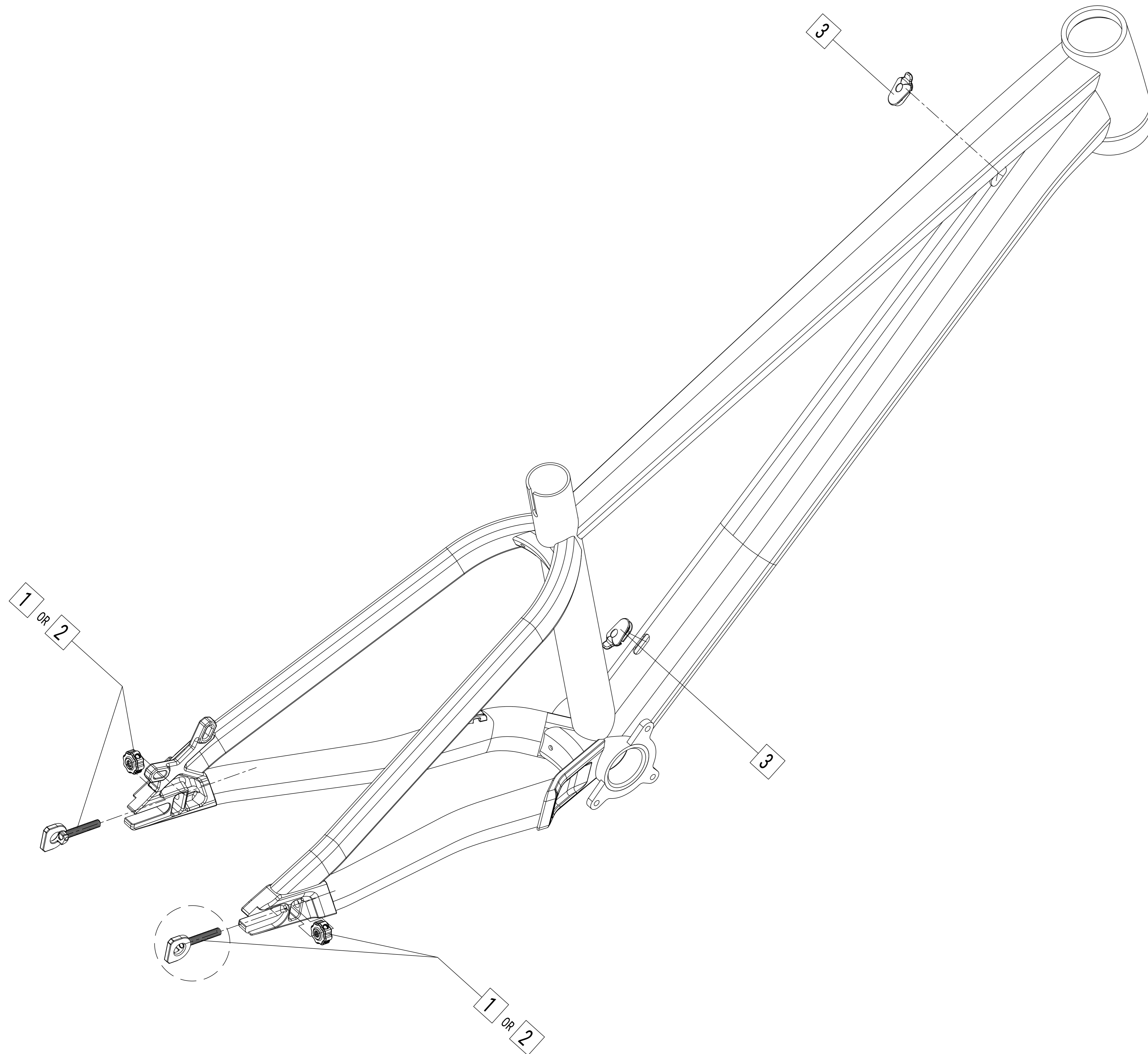
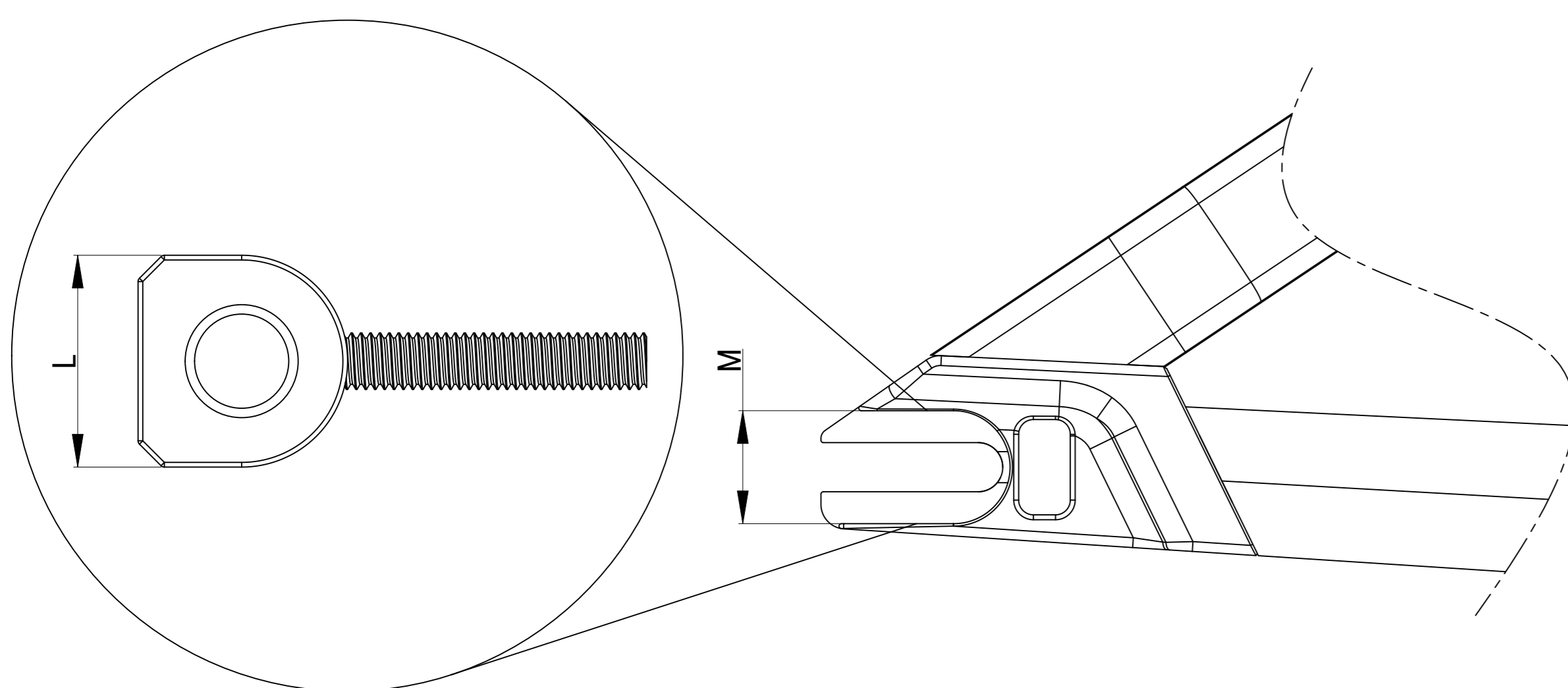


'22 ALCATRAZ



SERVICE PARTS			
NO.	ARTICLE CODE	DESCRIPTION	NOTES
1	735037	ALCATRAZ REAR AXLE TENSION KIT V1, 20.5MM, HANGER #53	
2	735979	ALCATRAZ REAR AXLE TENSION KIT V2, 22.5MM, HANGER #54	
3	730802	Rubber Grommet Kit One Piece	

TECHNICAL DATA		
FORK AXLE TO CROWN	OE SPEC: 491MM	MAX: 501MM
TIRE COMPATIBILITY	FRONT: 26x2.4"	REAR: 26x2.4"
HEADSET DIM	UPPER: Z544	LOWER: Z556
SEATPOST DIAMETER	30.9MM	
SEAT COLLAR DIAMETER	34.9MM	
CHAINLINE	49-52MM	
REAR BRAKE MOUNT	IS ADAPTER REQUIRED to 160mm/ MAX 180mm	
REAR AXLE	135 X 10MM (M10 or 3/8"x26T) MIN LENGTH 200MM	



CAUTION

PLEASE MAKE SURE THE DIMENSION L OF YOUR BIKE:
 a. L=20.5mm/ M=21mm, HANGER #53
 b. L=22.5mm/ M=23mm, HANGER #54

SHORT: 200mm

REAM DEPTH

LONG: 200mm

MARIN
 BIKES CALIFORNIA