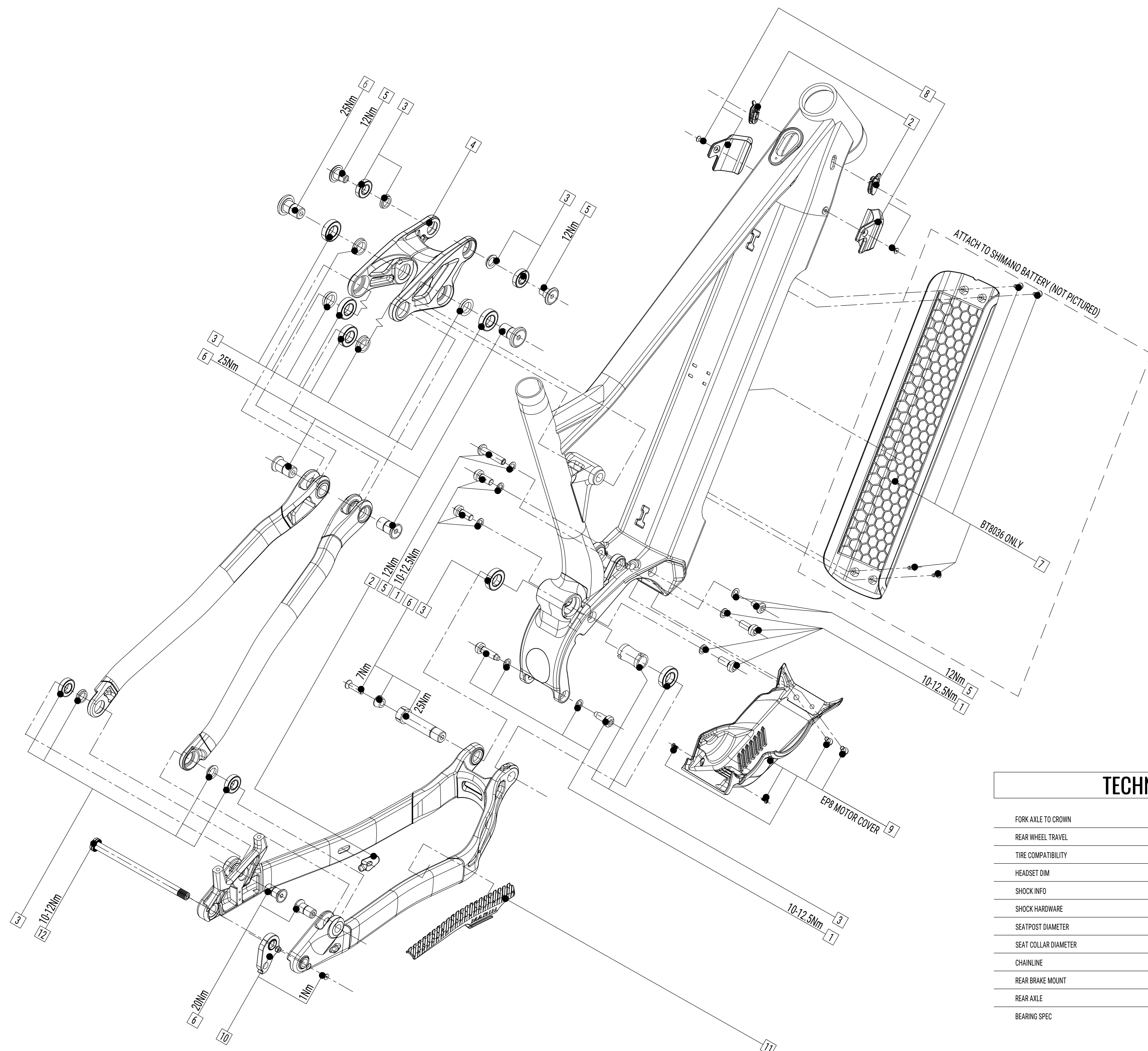


'21 & '22 ALPINE TRAIL E2



SERVICE PARTS

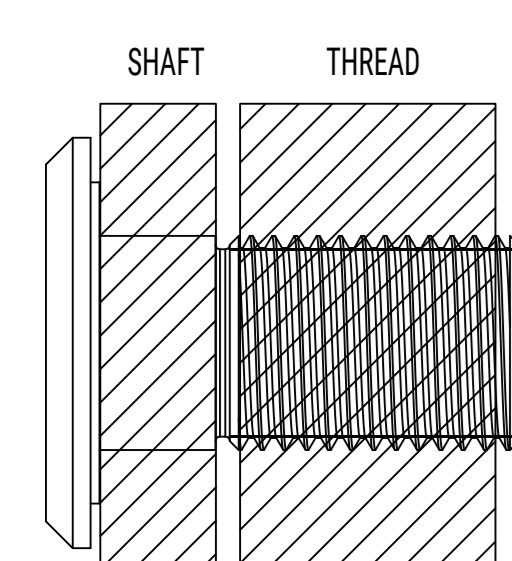
NO.	ARTICLE CODE	DESCRIPTION	NOTES
1	734743	MOTOR BOLT KIT	ALL SIX MOTOR BOLTS
2	730802	RUBBER GROMMET KIT ONE PIECE	INCLUDES ALL RUBBER GROMMETS NEEDED + EXTRA
3	728542	BEARING KIT D, ALPINE TRAIL	INCLUDES ALL BEARINGS AND BEARING SPACERS
4	728548	UPPER ROCKER LINKAGE-ALPINE TRAIL	ROCKER LINK W BEARINGS AND WASHERS
5	728547	SHOCK BOLT KIT E	UPPER AND LOWER SHOCK BOLTS
6	728546	PIVOT BOLT KIT E	ALL PIVOT BOLTS
7	732777	Alpine Trail E2 Battery Cover	INCLUDES ATTACHMENT BOLTS
8	732778	BUMP STOP	INCLUDES ATTACHMENT BOLTS
9	736030	STEPS V2 MOTOR COVER	INCLUDES ATTACHMENT BOLTS
10	726295	HANGER #40 AND MOUNTING BOLT	HANGER + M40X.7X10MM SCREW
11	732773	CS PROTECTOR SERIES 4 ALLOY	JUST CS PROTECTOR
12	728552	BOLT ON AXLE KIT 148X12MM	JUST REAR AXLE
13	732779	BATTERY RELEASE RUBBER HOLE COVER	RUBBER PLUG ONLY, JAGWIRE PART #CCN123NB
14	732781	CABLE CLAMPS 4MM/2.5MM	CC1012A1B-J
15	732782	CABLE CLAMPS 5MM/2.5MM	CC999BJ

TECHNICAL DATA

FORK AXLE TO CROWN	OE SPEC: 571MM	MAX: 581MM
REAR WHEEL TRAVEL	E2E: 150MM	
TIRE COMPATIBILITY	FRONT: 29X2.6"	REAR: 27.5X2.8"
HEADSET DIM	TOP: ZS44	BOTTOM: ZS56
SHOCK INFO	E2E: 205MM	STROKE: 65MM
SHOCK HARDWARE	UPPER: TRUNNION	LOWER: 25XMG
SEATPOST DIAMETER	30.9MM	
SEAT COLLAR DIAMETER	34.9MM	
CHAINLINE	52-55MM	
REAR BRAKE MOUNT	POST MOUNT 180MM	
REAR AXLE	148X12MM	
BEARING SPEC	6901V2RS: 12X24X6	QTY: 4
	6902V2RS: 15X28X7	QTY: 6

SHIMANO E-SPECIFIC PARTS

SPEED SENSOR	EWS-S301
DRIVE UNIT	SHIMANO EP8
BATTERY COMPATIBILITY	BT-E8036
BATTERY MOUNT	BM-E8031
CHARGE PORT	EW-CP100
POWER SWITCH	EWS-W300
WIRES	EW-SD3001
ASSIST MODE SWITCH	SW-E800-L
DISPLAY	SC-EM800



CAUTION

FOR ALL BOLTS SHOWN ON BIKES RECOMMENDED TO APPLY GREASE AND THREAD LOCKER

THE APPLICATION AREA SHOWN AS LEFT
THREAD LOCKER ON THREAD AREA ONLY
GREASE ON SHAFT AREA ONLY

FOR THOSE BOLTS WITHOUT SHAFT, THREAD LOCKER NEEDED ONLY.

REAR DEPTH

S: 240mm

M: 255mm

L: 275mm

XL: 290mm

MARIN

BIKES CALIFORNIA