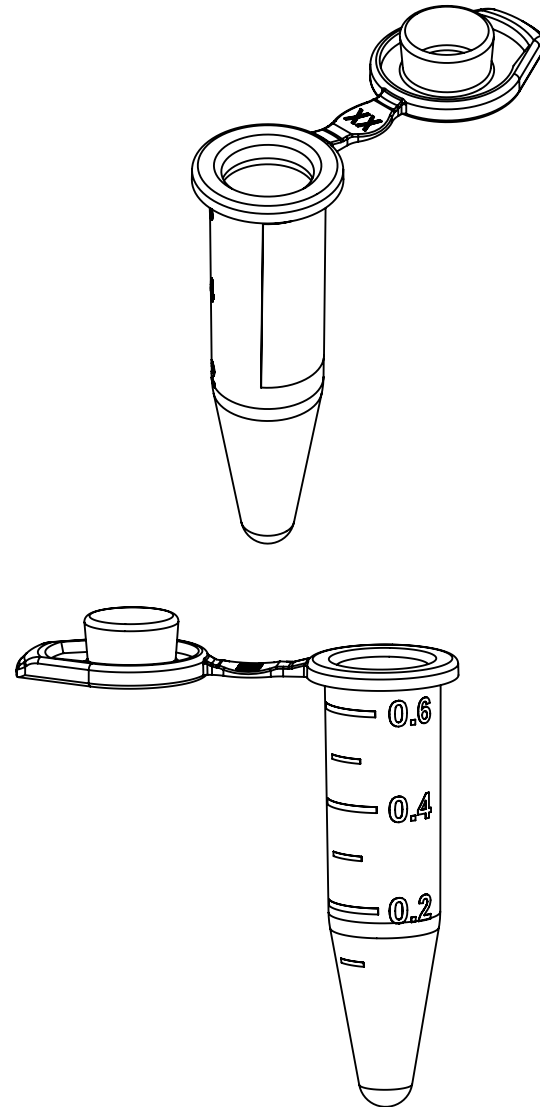


SECTION A-A  
SCALE: 2.5 : 1



**PR1MA™**

**PR-MCT6**

*0.5 mL TUBE WITH CAP - GRADUATED*

ALL DIMENSIONS ARE IN MILLIMETERS

ORDER TODAY! [midsci.com](http://midsci.com) • [custserv@midsci.com](mailto:custserv@midsci.com) • 800.227.9997 • f: 636.225.9998