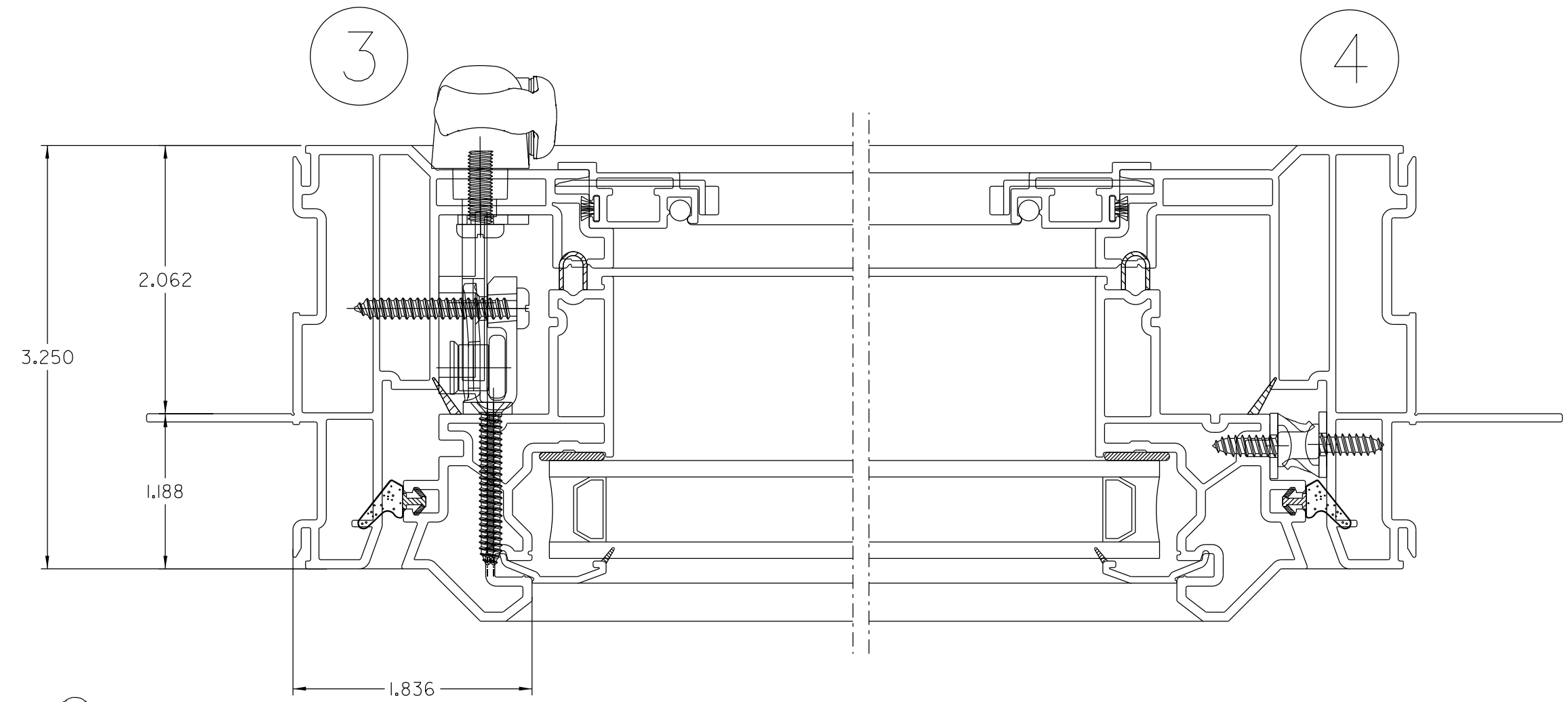
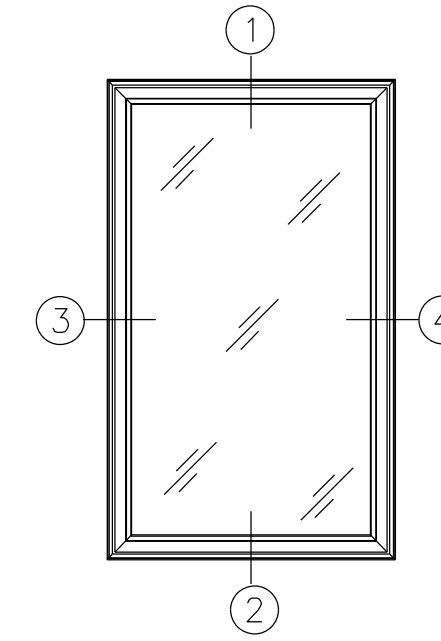
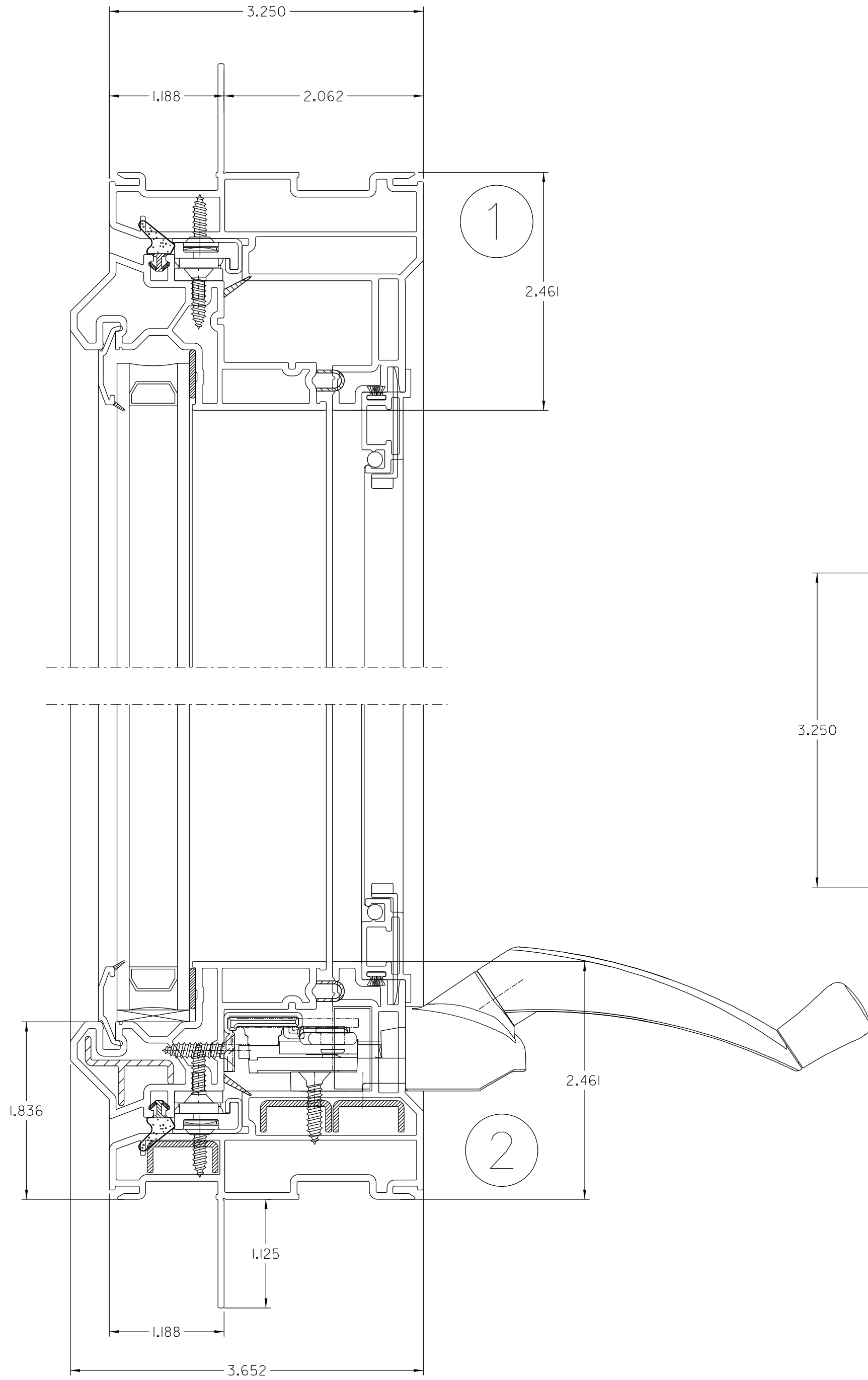


CAD MAINTAINED. CHANGES SHALL BE INCORPORATED BY THE DESIGN ACTIVITY.

REVISION HISTORY			
REV	DESCRIPTION	DATE	APPROVED
G	MODIFY SCREEN TRACK	08/04/04	DBF

\$PLOTDATE\$



\$USER\$

CASEMENT

\$FILEL\$