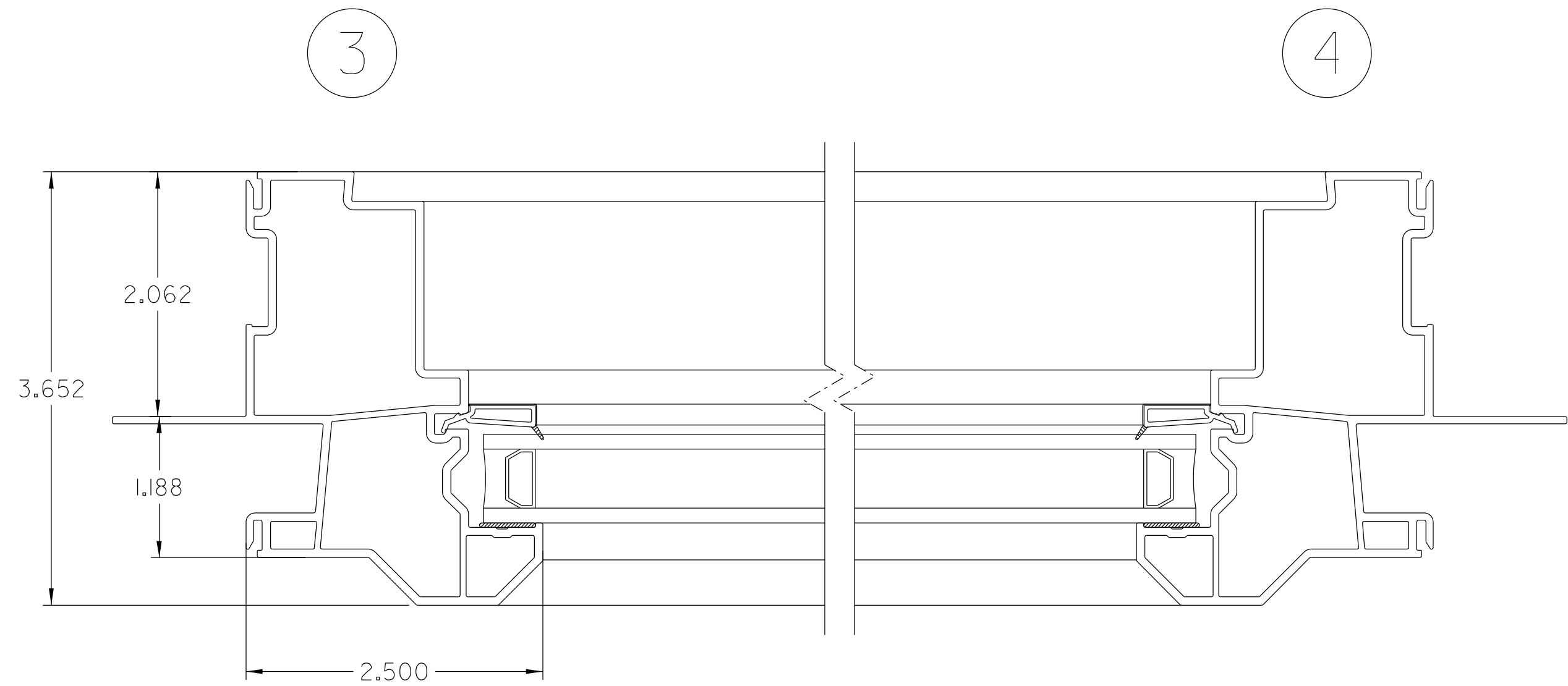
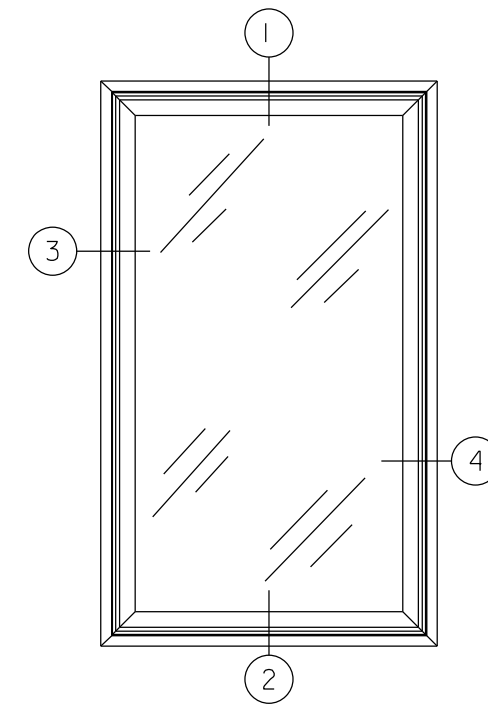
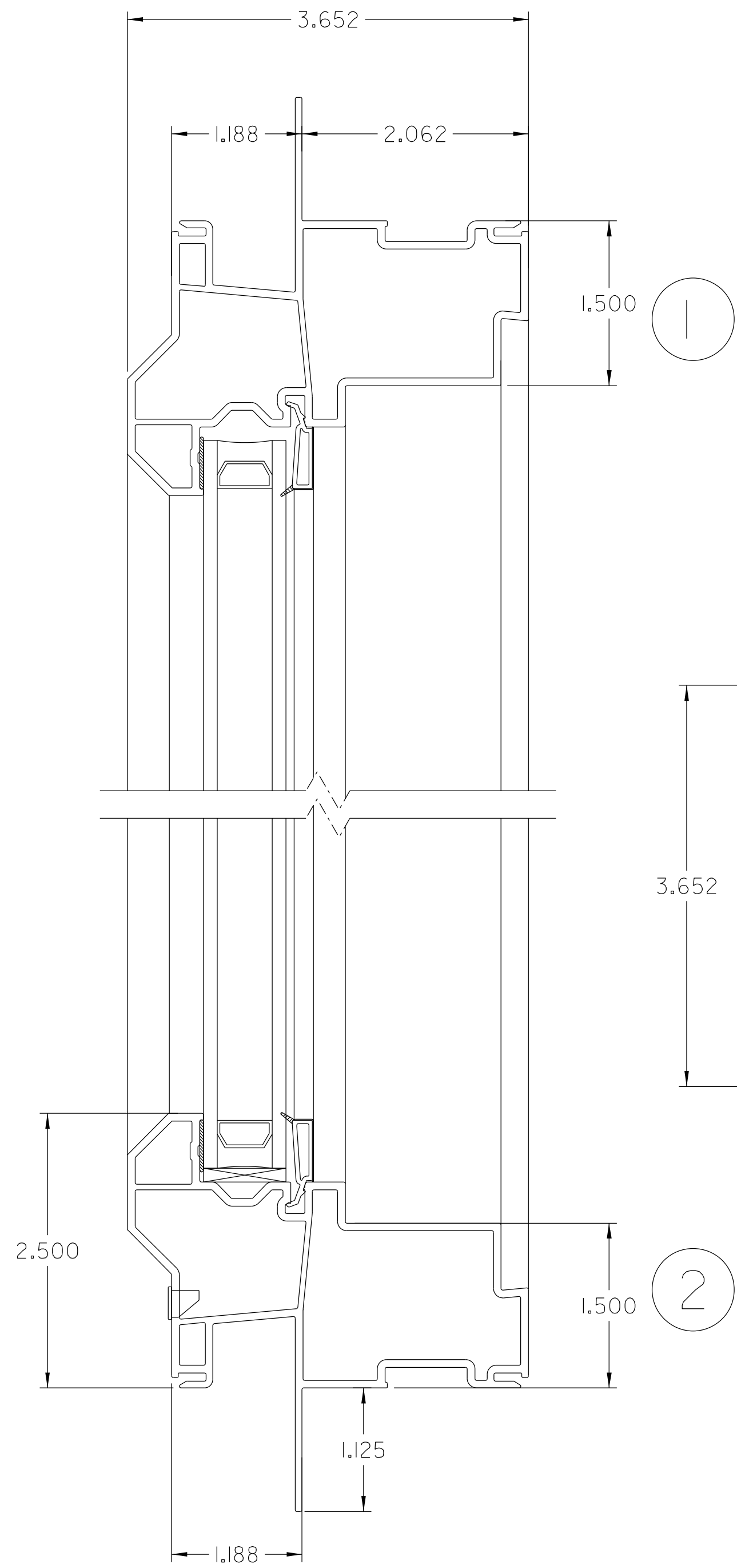


CAD MAINTAINED. CHANGES SHALL BE INCORPORATED BY THE DESIGN ACTIVITY.

REVISION HISTORY			
REV	DESCRIPTION	DATE	APPROVED
-	DESCRIPTION	DATE	APPROVED

\$PLOTDATE\$



PICTURE WINDOW

\$USER\$

\$FILEL\$