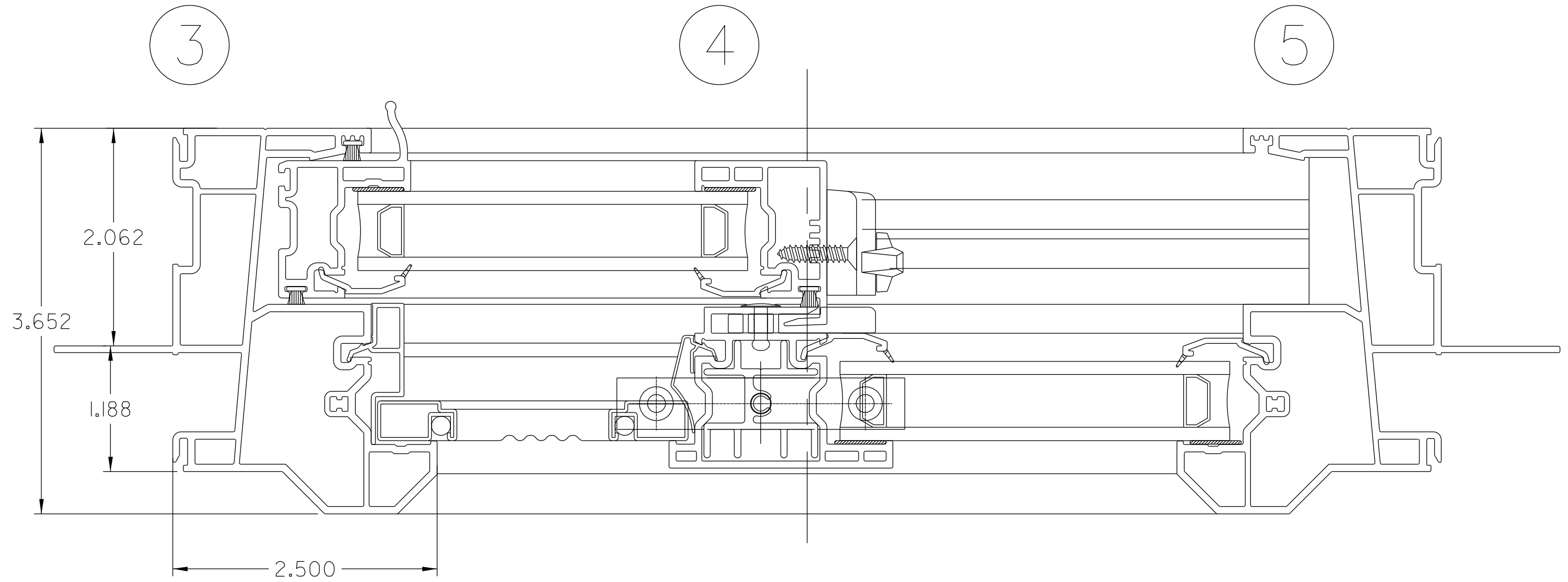
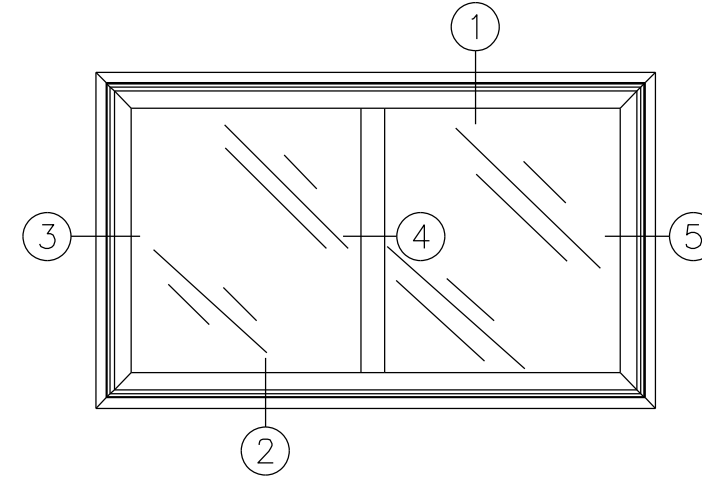
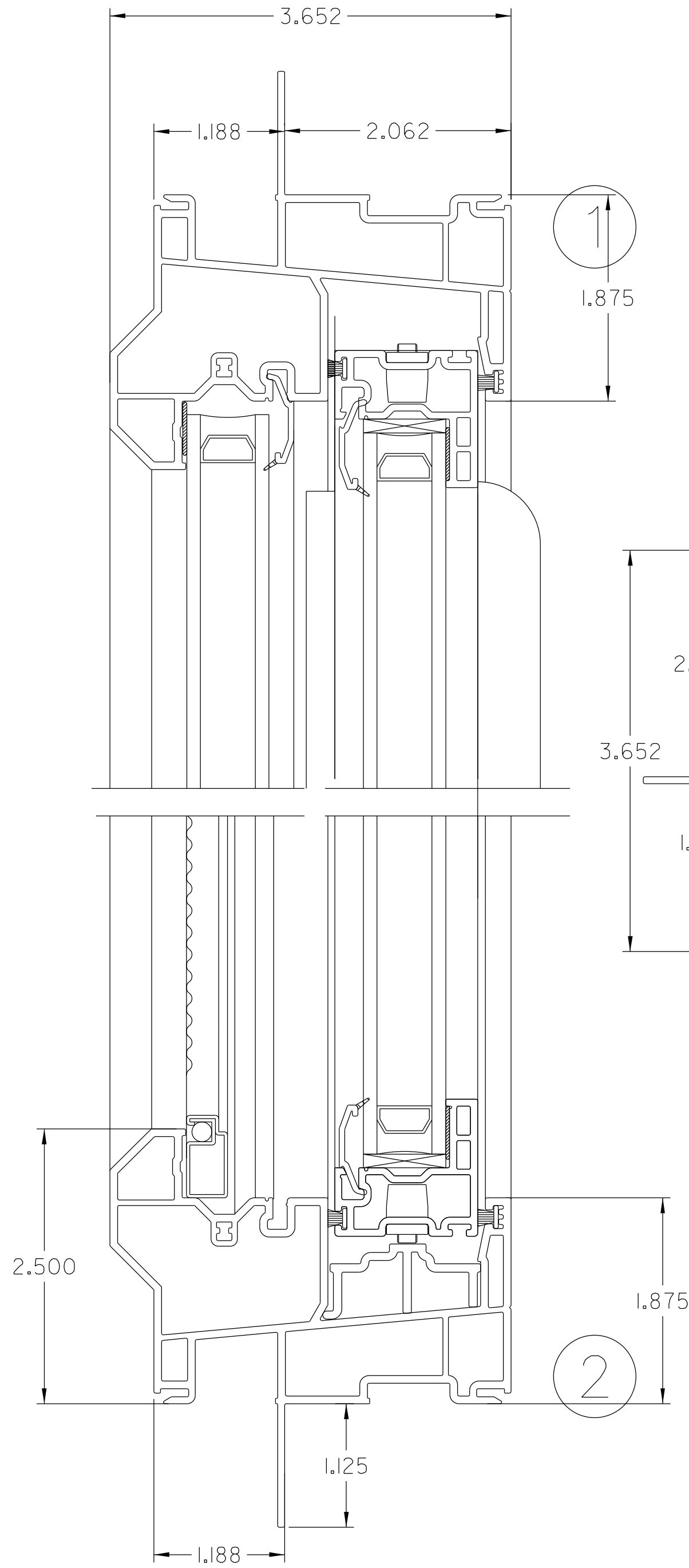


CAD MAINTAINED. CHANGES SHALL BE INCORPORATED BY THE DESIGN ACTIVITY.

REVISION HISTORY			
REV	DESCRIPTION	DATE	APPROVED
A	ADDED 10005257 SCREEN ADAPTER DELETED 10008268 SCREEN ADAPTER	5/4/15	SMW
B	ADDED 10005258 SCREEN RETAINER DELETED 10008263 SCREEN RETAINER	5/4/15	SMW



SINGLE VENT SLIDER

\$PLOTDATE\$
\$USER\$\$
\$FILEL\$