

SIZE GUIDE



CASEMENT & PICTURE WINDOW OPENING SPECIFICATIONS

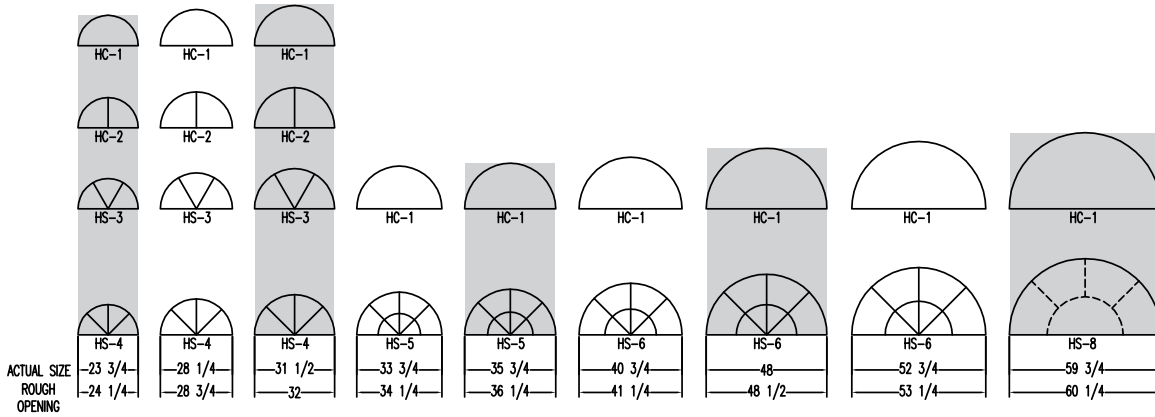
ROUGH OPENING	17 1/4	20 3/4	24 1/4	28 3/4	32	34 1/4	36 1/4
ACTUAL SIZE	16 3/4	20 1/4	23 3/4	28 1/4	31 1/2	33 3/4	35 3/4
24 1/2	1520	1920	2020	2520			
28 1/2	1524	1924	2024	2524			
36 1/2	1530	1930	2030	2530	2830	21030	3030
41 1/4	1535	1935	2035	2535	2835	21035	3035
48 1/2	1540	1940	2040	2540	2840	21040	3040
53 1/4	1545	1945	2045	2545	2845	21045	3045
60 1/4	1550	1950	2050	2550	2850	21050	3050
65 1/4	1555	1955	2055	2555	2855	21055	3055
72 1/4	1560	1960	2060	2560	2860	21060	3060

9660/9770 Vinyl Awning and Casements

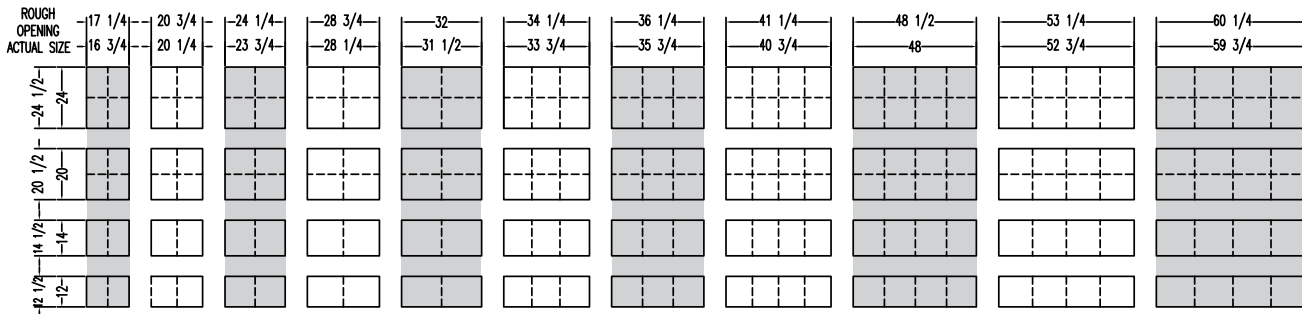
SIZES

9660/9770 Vinyl Awning and Casements

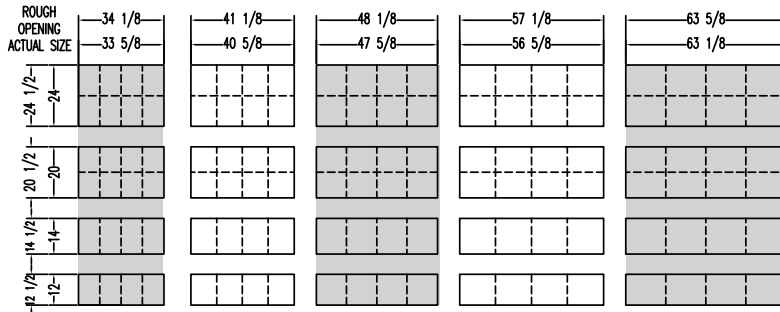
CASEMENT: TRANSOM AND CIRCLE TOP SIZES



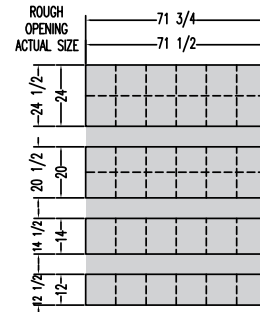
SINGLE TRANSOMS



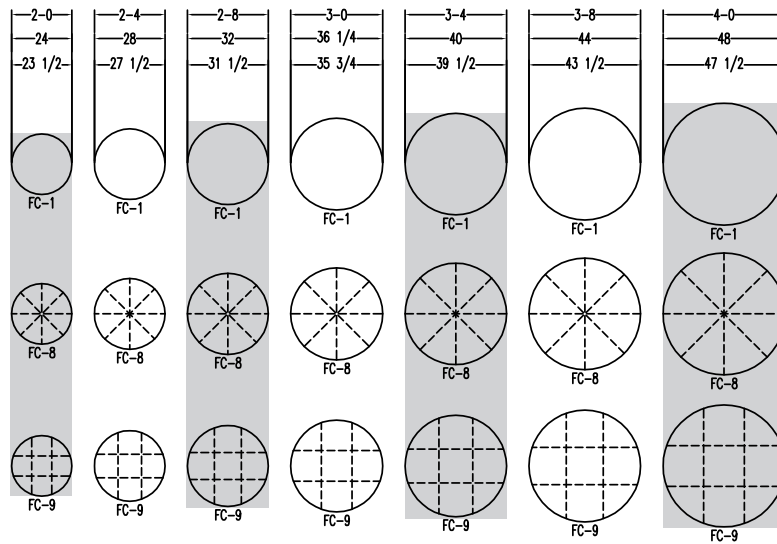
TWIN TRANSOMS



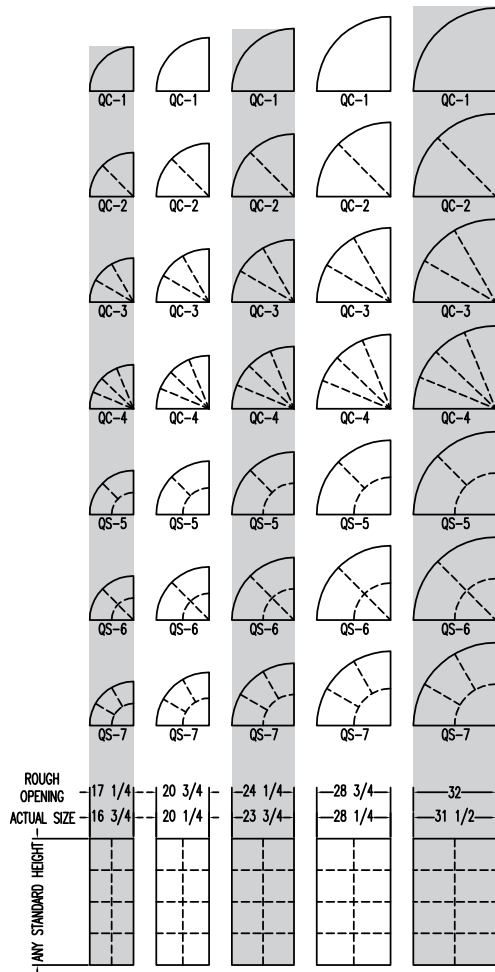
TRIPLE TRANSOM



FULL CIRCLE WINDOW SIZES

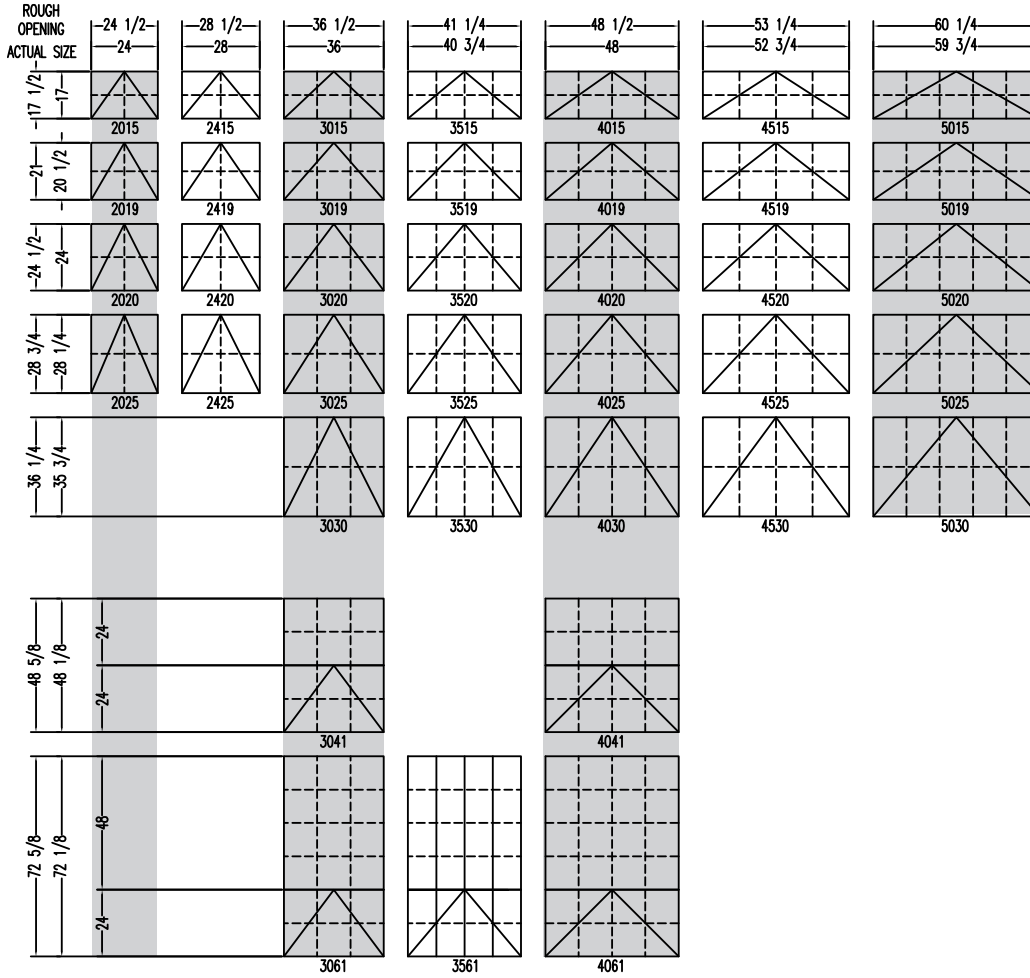


CASEMENT QUARTER CIRCLE WINDOW SIZES

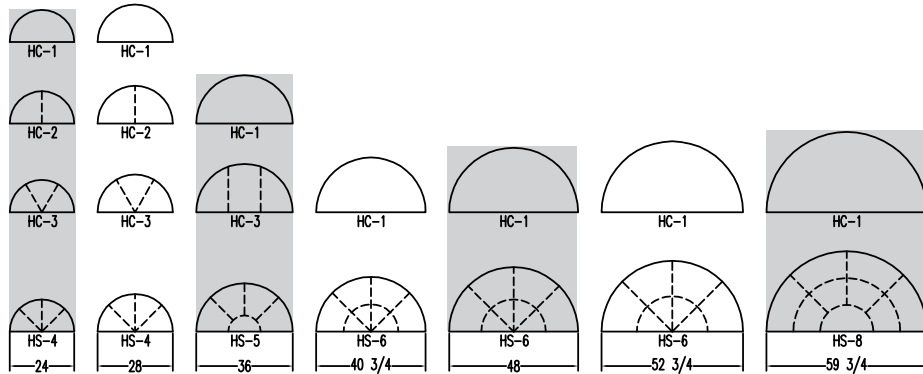


9660/9770 Vinyl Awning and Casements

AWNING OPENING SPECIFICATIONS



AWNING CIRCLE TOP WINDOW SIZES



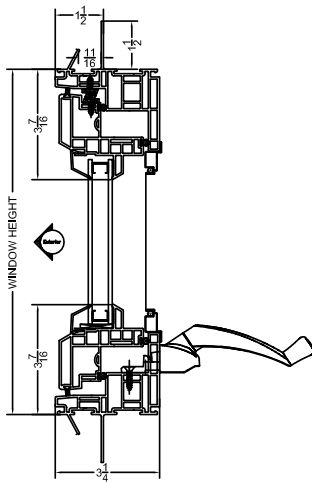
PICTURE WINDOW OPENING SPECIFICATIONS

ROUGH OPENING	41 1/4	48 1/2	53 1/4	60 1/4
ACTUAL SIZE	40 3/4	48	52 3/4	59 3/4
24 1/2	3520	4020	4520	5020
36 1/2	3530	4030	4530	5030
41 1/4	3635	4035	4535	5035
48 1/2	3540	4040	4540	5040
53 1/4	3545	4045	4545	5045
60 1/4	3550	4050	4550	5050
66 1/4	3555	4055	4555	5055
72 1/4	3560	4060	4560	5060

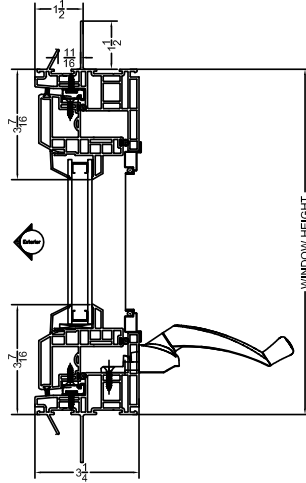
9660/9770 Vinyl Awning and Casements

AWNING AND CASEMENT VERTICAL DETAILS

AWNING VERTICAL CROSS SECTION



CASEMENT VERTICAL CROSS SECTION

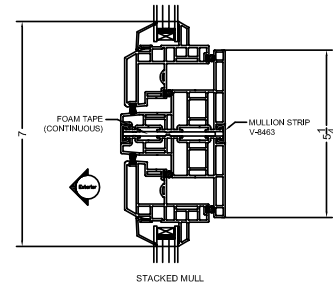


MULLION AVAILABLE

V-8463 JOINTER STRIP

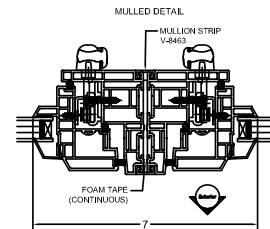


≠ ADD-ON



STACKED MULL

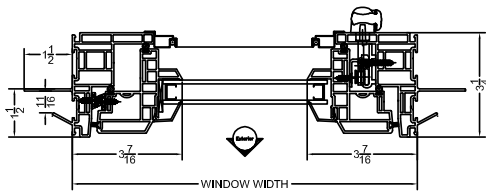
A VARIETY OF SNAP-IN ACCESSORIES INCLUDING MULLIONS, AND DRYWALL ADAPTERS ARE AVAILABLE- CONTACT YOUR LOCAL DISTRIBUTOR FOR DETAILS



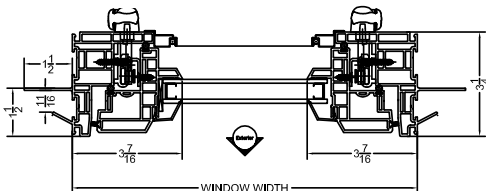
MULLION DETAIL

AWNING AND CASEMENT HORIZONTAL DETAILS

CASEMENT HORIZONTAL CROSS SECTION



AWNING HORIZONTAL CROSS SECTION



SERIES 9660- AWNING OPENING SPECIFICATIONS

Code Size	Window ID			Visible Light Sq. Ft.	Screen "Box" Finish Size			Glass Size		
	Width		Height		Width		Height	Width		Height
2015	24	x	17	1.19	18 13/16	x	11 13/16	18 5/16	x	11 5/16
2019	24	x	20 1/2	1.61	18 13/16	x	15 5/16	18 5/16	x	14 13/16
2020	24	x	24	2.14	18 13/16	x	18 13/16	18 5/16	x	18 5/16
2025	24	x	28 1/4	2.53	18 13/16	x	23 1/16	18 5/16	x	22 9/16
2415	28	x	17	1.47	22 13/16	x	11 13/16	22 5/16	x	11 5/16
2419	28	x	20 1/2	1.98	22 13/16	x	15 5/16	22 5/16	x	14 13/16
2420	28	x	24	2.50	22 13/16	x	18 13/16	22 5/16	x	18 5/16
2425	28	x	28 1/4	3.12	22 13/16	x	23 1/16	22 5/16	x	22 9/16
3015	36	x	17	2.03	30 13/16	x	11 13/16	30 5/16	x	11 5/16
3019	36	x	20 1/2	2.74	30 13/16	x	15 5/16	30 5/16	x	14 13/16
3020	36	x	24	3.44	30 13/16	x	18 13/16	30 5/16	x	18 5/16
3025	36	x	28 1/4	4.30	30 13/16	x	23 1/16	30 5/16	x	22 9/16
3030	36	x	35 3/4	5.82	30 13/16	x	30 9/16	30 5/16	x	30 1/16
3515	40 3/4	x	17	2.36	35 9/16	x	11 13/16	35 1/16	x	11 5/16
3519	40 3/4	x	20 1/2	3.18	35 9/16	x	15 5/16	35 1/16	x	14 13/16
3520	40 3/4	x	24	4.01	35 9/16	x	18 13/16	35 1/16	x	18 5/16
3525	40 3/4	x	28 1/4	5.00	35 9/16	x	23 1/16	35 1/16	x	22 9/16
3530	40 3/4	x	35 3/4	6.77	35 9/16	x	30 9/16	35 1/16	x	30 1/16
4015	48	x	17	2.87	42 13/16	x	11 13/16	42 5/16	x	11 5/16
4019	48	x	20 1/2	3.87	42 13/16	x	15 5/16	42 5/16	x	14 13/16
4020	48	x	24	4.87	42 13/16	x	18 13/16	42 5/16	x	18 5/16
4025	48	x	28 1/4	6.08	42 13/16	x	23 1/16	42 5/16	x	22 9/16
4030	48	x	35 3/4	8.22	42 13/16	x	30 9/16	42 5/16	x	30 1/16
4515	52 3/4	x	17	3.20	47 9/16	x	11 13/16	47 1/16	x	11 5/16
4519	52 3/4	x	20 1/2	4.31	47 9/16	x	15 5/16	47 1/16	x	14 13/16
4520	52 3/4	x	24	5.43	47 9/16	x	18 13/16	47 1/16	x	18 5/16
4525	52 3/4	x	28 1/4	6.78	47 9/16	x	23 1/16	47 1/16	x	22 9/16
4530	52 3/4	x	35 3/4	9.17	47 9/16	x	30 9/16	47 1/16	x	30 1/16
5015	59 3/4	x	17	3.69	54 9/16	x	11 13/16	54 1/16	x	11 5/16
5019	59 3/4	x	20 1/2	4.97	54 9/16	x	15 5/16	54 1/16	x	14 13/16
5020	59 3/4	x	24	6.26	54 9/16	x	18 13/16	54 1/16	x	18 5/16
5025	59 3/4	x	28 1/4	7.82	54 9/16	x	23 1/16	54 1/16	x	22 9/16
5030	59 3/4	x	35 3/4	10.57	54 9/16	x	30 9/16	54 1/16	x	30 1/16

09-26-11



QUALITY CONTROL & TESTING
AAMA CERTIFICATION PROGRAM
 ACCREDITED BY: AMERICAN NATIONAL STANDARDS INSTITUTE
 Validator ALI © CODE: MTL-2

AAMA Certification insures labeled products comply with industry specifications.



NFRC rated products provide you with an industry standard energy efficiency testing and ratings comparison. Meet your demands to energy performance at a glance.

