



Butcher Boy[®] Machines



BUTCHER BOY TCA-32 Table-Top Grinder



MPBS
INDUSTRIES

Commercial Food Processing & Packaging Equipment

323-268-8514 800-421-6265 323-386-4058 (fax)

www.mpbs.com

Features:

- Stainless steel frame, housing, and pan
- Cast iron tin dipped head, feed screw and plate ring
- #32 Cutting group
- Fabricated to USDA standards
- Table top
- Manual feed grinder
- Pan and bowl are easily removed without tools
- O/A dimensions: +/- 20-1/2 L x 36-1/2 W x 23" H
- Grinding capacity: +/- 40-50 lb per min (depending on plate size)

Standard Safety Features:

- Bowl guard
- Meat Stomper
 - Use to push meat into the bowl through the guard

Plate Size:

- Size 32 plate

Motor:

- 230/460V / 60 Hz / 3 Ø
- Heavy-duty, 2 HP
- Conforms to NEMA specifications

Motor Controls:

- All machines come with motor controls as standard equipment
- User to supply over-current protection

Includes:

- 1 Plate and Knife
- Aluminum spurt guard
- Stomper
- Instruction manual and parts list

Weight:

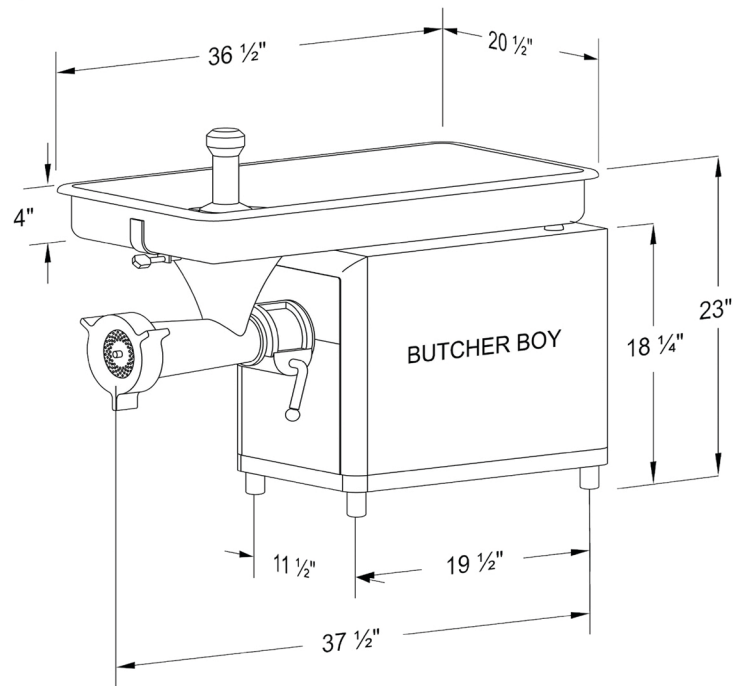
- Net: +/- 180 lbs
- Shipping: +/- 210 lbs

Options:

- Electrical
- 3 HP
- 1 Ø

All specifications are subject to change without notice.

DIMENSIONS



Manufactured by:
BUTCHER BOY MACHINES INT LLC
640 MULBERRY AVENUE
SELMER TN 38375

Distributed by:
MPBS INDUSTRIES
2820 EAST WASHINGTON BLVD
LOS ANGELES CA 90023
www.mpbs.com
contact@mpbs.com