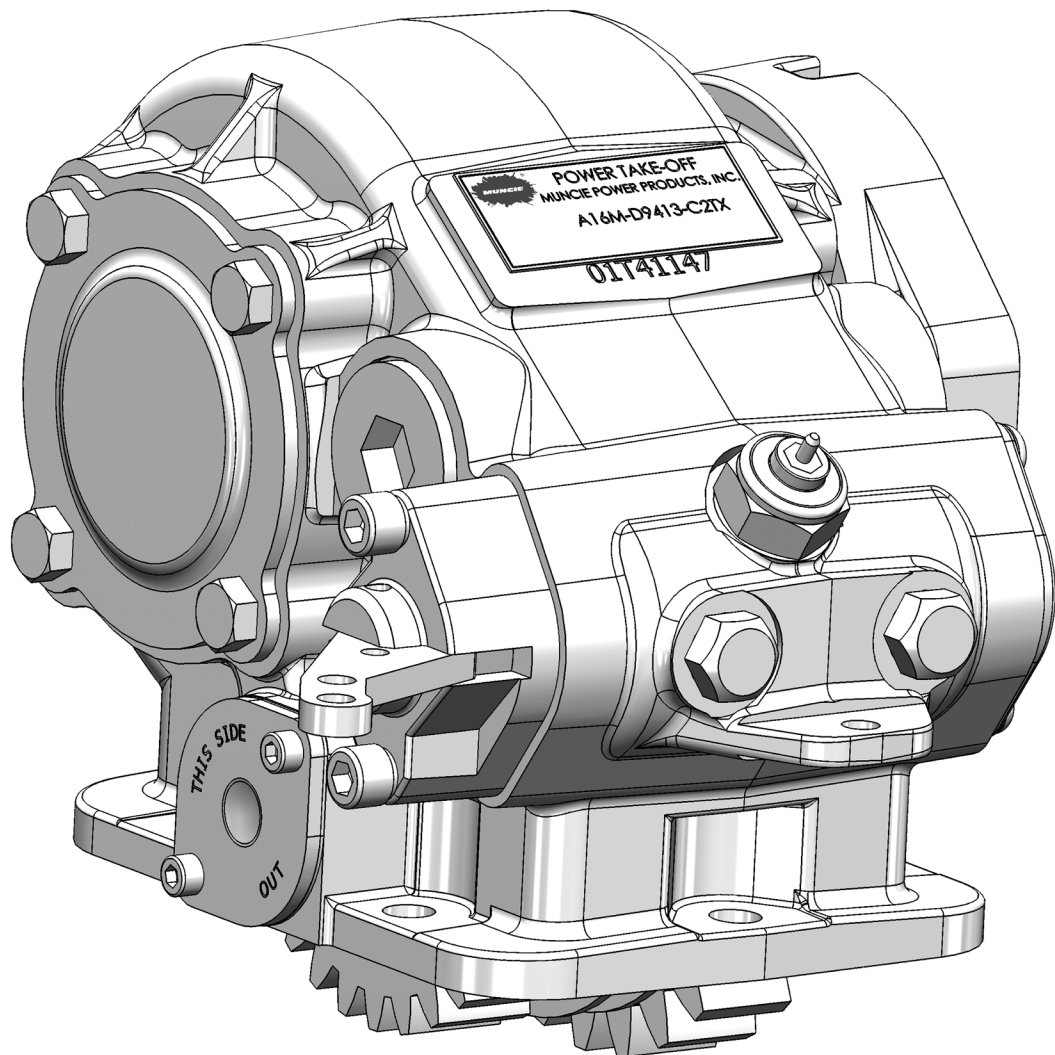




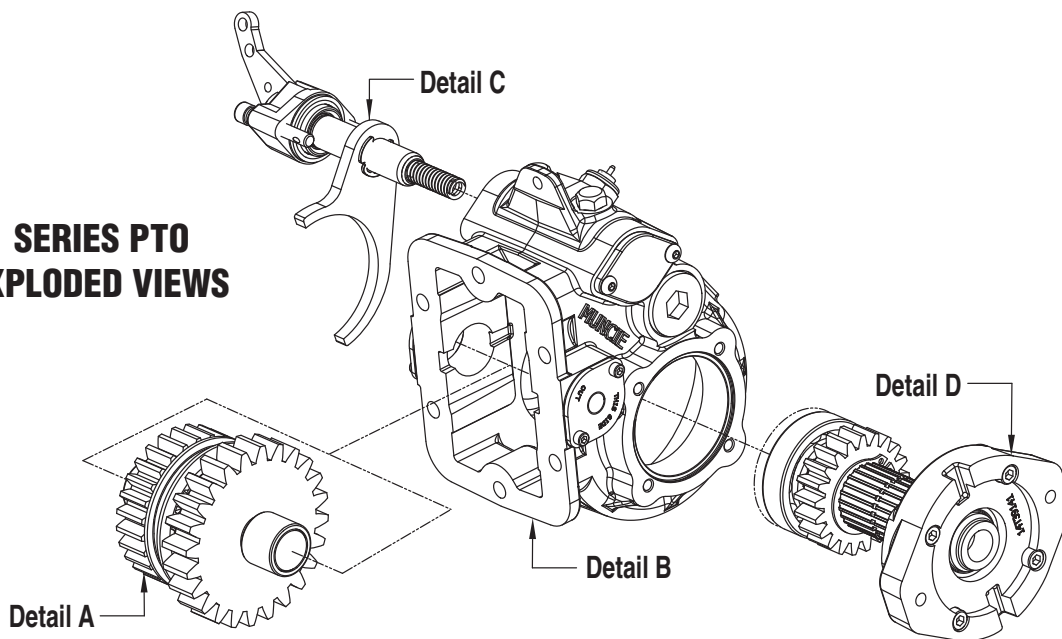
A1 SERIES PTO

PARTS LIST AND SERVICE MANUAL

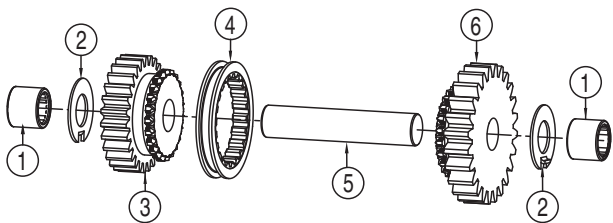


EXPLODED VIEWS

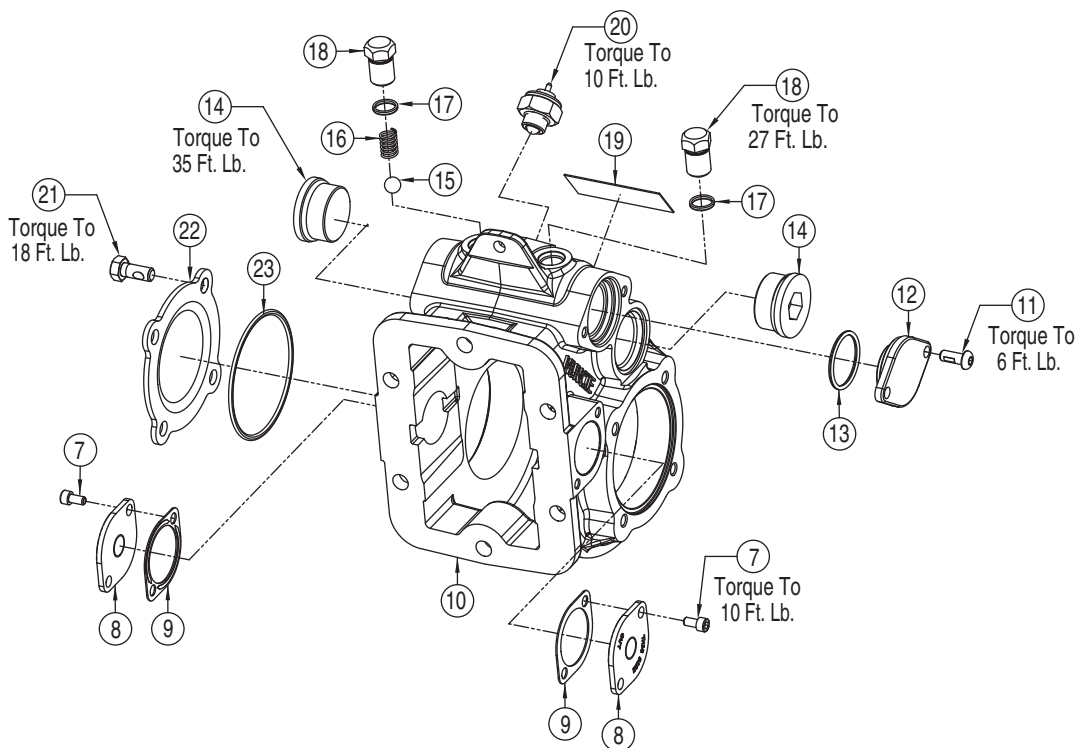
A1 SERIES PTO EXPLODED VIEWS



DETAIL A — IDLER SHAFT ASSEMBLY



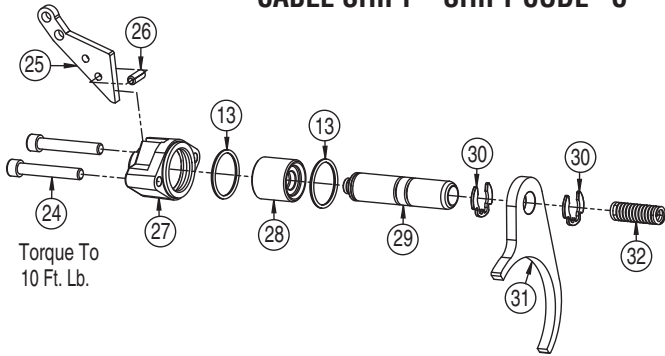
DETAIL B — PTO HOUSING ASSEMBLY



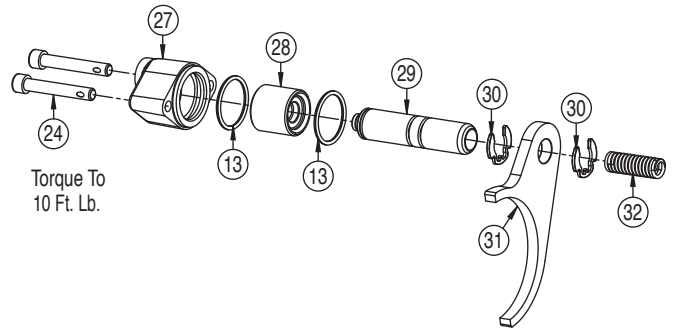
EXPLODED VIEWS

DETAIL C — SHIFT ASSEMBLIES

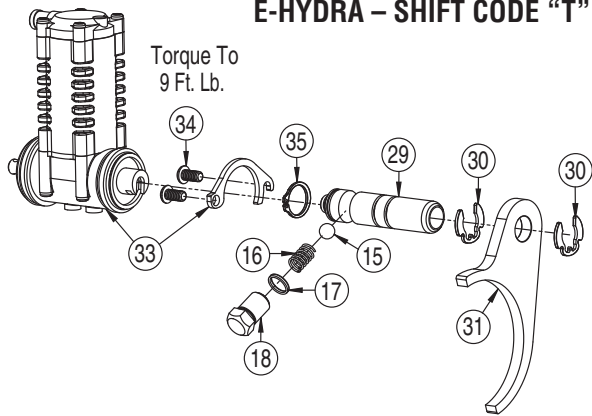
CABLE SHIFT — SHIFT CODE “C”



**AIR SHIFT — SHIFT CODE “A”
ELECTRIC SHIFT — SHIFT CODE “E”**

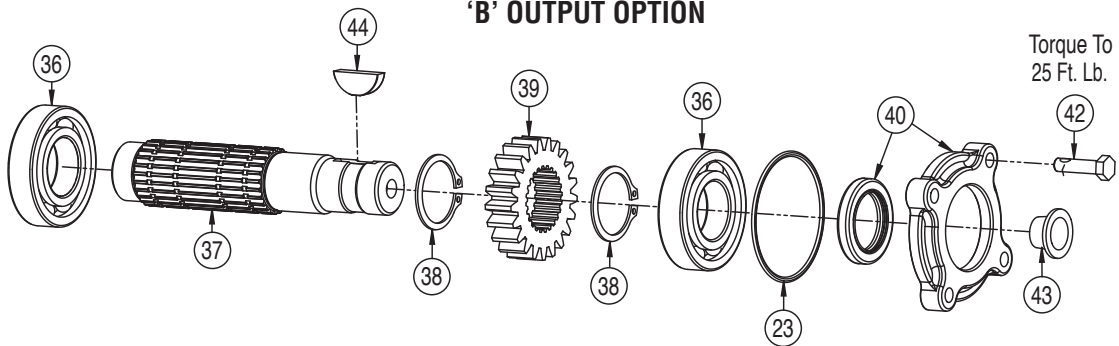


E-HYDRA — SHIFT CODE “T”

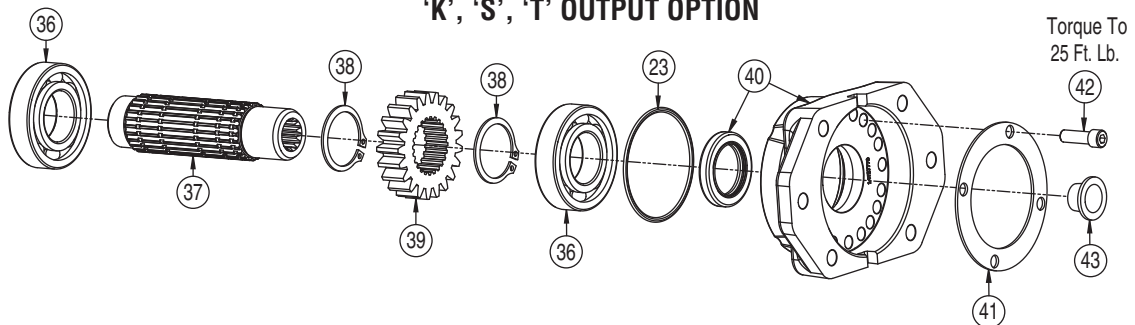


DETAIL D — OUTPUT OPTIONS

‘B’ OUTPUT OPTION



‘K’, ‘S’, ‘T’ OUTPUT OPTION



PARTS LIST AND DESCRIPTION

ITEM	QTY	PART NO.	DESCRIPTION
01	2	10T24175	Input Needle Bearing
02	2	21T34281	Thrust Washer
03	1	Table A	Input Ratio Gear
04	1	49T33959	Shift Collar
05	1	07T33974	Idler Shaft
06	1	03T40079	Input Gear – D94
07	4	19T31664	Socket Head Capscrew
08	2	15T35612	Idler Shaft Cap
09	2	13T38286	Idler Shaft Gasket
10	1	01T41935	PTO Housing (6M)*
11	2	19T34530	Buttonhead Screw
12	1	28T41154	Air/Cable Cover
13	3	12T41163	O-ring
14	2	HHBP16	O-ring Boss Plug
15	1	28T41391	Poppet Ball (E-Hydra Only)
16	1	27T41384	Spring (E-Hydra Only)
17	2	12T41760	Poppet O-ring
18	2	28T41383	Poppet Cap
19	1	36MCL100	Nameplate
20	Positive Indicator Switch (includes O-ring)		
	1	30T38111	Indicator Switch (1 & 4 assembly) (White - N.O.)
	1	30T38110	Indicator Switch (2 & 3 assembly) (Black - N.C.)
21	2	19T33233	Hex Head Capscrew
22	1	15T34323	Bearing Cap
23	2	12T36751	O-ring
24	2	19T41162	Socket Head Capscrew (Cable)
	2	19T41158	Socket Head Capscrew (Air)

ITEM	QTY	PART NO.	DESCRIPTION
25	1	28T41155	Lever (Cable)
26	1	26T41165	Pin (Cable)
27	1	28T41151	Cable Shift Cover
	1	28T41150	Air Shift Cover
28	1	28T41153	Piston Control (Cable)
	1	28T41152	Piston Control (Air)
29	1	17T41157	Shifter Shaft (Cable/Air)
	1	17T41693	Shifter Shaft (E-Hydra)
30	2	24T41160	Klip Ring
31	1	28T41159	Yoke
32	1	27T41156	Air/Cable Spring
33	1	28TA4685	Cylinder Assembly (1214KES5C00) retainer included
34	2	19T41164	Buttonhead Screw
35	1	24T41161	Snap Ring (E-Hydra Only)
36	2	10T21017	Output Bearing
37	1	06T33963	Output Shaft "B"
	1	06T39143	Output Shaft "K"
	1	06T35048	Output Shaft "Q" & "S"
	1	06T37335	Output Shaft "T"
38	2	24T23937	Snap Ring
39	1	Table A	Output Ratio Gear
40	1	Table B	Flange/Seal Kit
41	1	58T38789	Installation Ring ("K" Output Only)
42	4	19T34717	Hex Head Screw "B"
	4	19T34462	Socket Head Capscrew "K"
	4	19T39257	Socket Head Capscrew "S" & "T"
43	1	25T35724	Output Shaft "K", "Q" & "S" Caplug
	1	25T37387	Output Shaft "T" Caplug
44	1	26T01627	"B" Shaft Woodruff Key
N.S.	1	26MCC120	Cable (Included With Cable Shift Option PTO)

TABLE A
GEAR SET SELECTION - RATIO DESIGNATOR

RATIO	ITEM 3 INPUT RATIO GEAR	TEETH	ITEM 39 OUTPUT RATIO GEAR	TEETH
04	04T34277	13T	02T34278	36T
05	04T34275	16T	02T34276	34T
06	04T34441	19T	02T34440	31T
07	04T34271	21T	02T34272	29T
08	04T35186	23T	02T35185	26T
09	04T34399	24T	02T34398	26T
12	04T35155	27T	02T35162	23T
13	04T35363	28T	02T35362	21T
15	04T34598	30T	02T39172	20T
18	04T34605	31T	02T34601	18T

TABLE B
FLANGE/SEAL ASSEMBLY

PART NO	DESCRIPTION	COMPONENTS
15TA5220	"B" Flange/Seal Assembly	15T41683 - Bearing Cover 11T37790 - Output Shaft Seal
14TA3996	"K" Flange/Seal Assembly	14T37779 - Hydraulic Flange 11T37790 - Output Shaft Seal
14TA3997	"Q" & "T" Flange/Seal Assembly	14T39141 - Hydraulic Flange 11T37790 - Output Shaft Seal
14TA3999	"S" Flange/Seal Assembly	14T35464 - Hydraulic Flange 11T37790 - Output Shaft Seal

* When replacing 01T41147 (PTO housing), use 01T41935 and add two of Item 17 and item 18. The current housing (01T41147) will become obsolete in the future.

A1 MODEL NUMBER CONSTRUCTION

A1 6M - D94 04 - C 1 B X

PTO Type

Alpha Series — A1

Mounting

SAE 6-Bolt Special Mounting — 6M

Transmission: A1 Gear Data

D94 — Dodge Ram 9.41P 18° PA 26.47° LH

Speed Ratio

04 — .361:1	09 — .923:1
05 — .470:1	12 — 1.170:1
06 — .613:1	13 — 1.285:1
07 — .724:1	15 — 1.500:1
08 — .885:1	18 — 1.720:1

Special Feature

X — None

Output Type

B — 1-1/4" Rd. Std.
 K — SAE "B", 7/8" 13T
 Q — SAE "A", 7/8" 13T
 S — SAE "B", 7/8" 13T
 T — SAE "A", 3/4" 11T

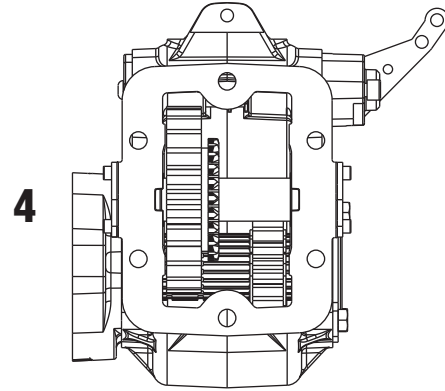
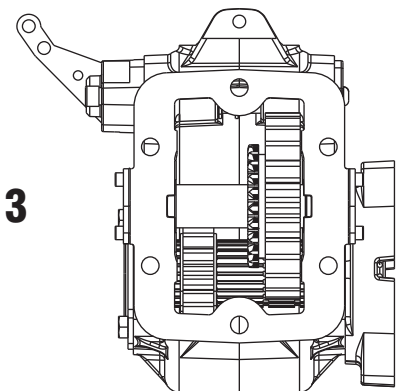
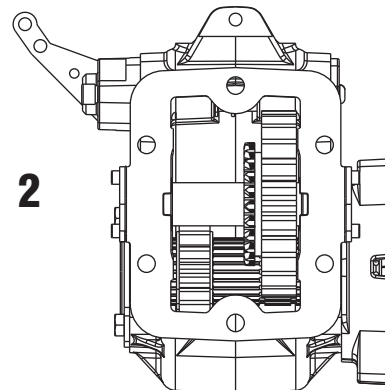
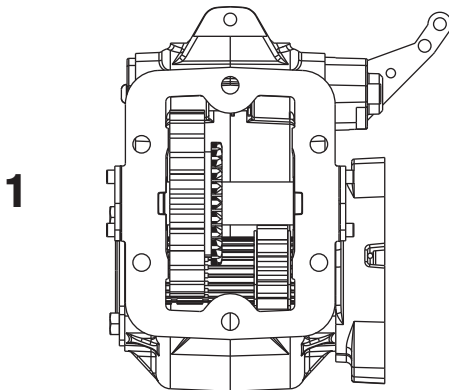
Assembly Arrangement

1, 2, 3, or 4

Shifter Type

A — Manual Air
 C — Cable
 E — Electric/Air
 T — E-Hydra 12V

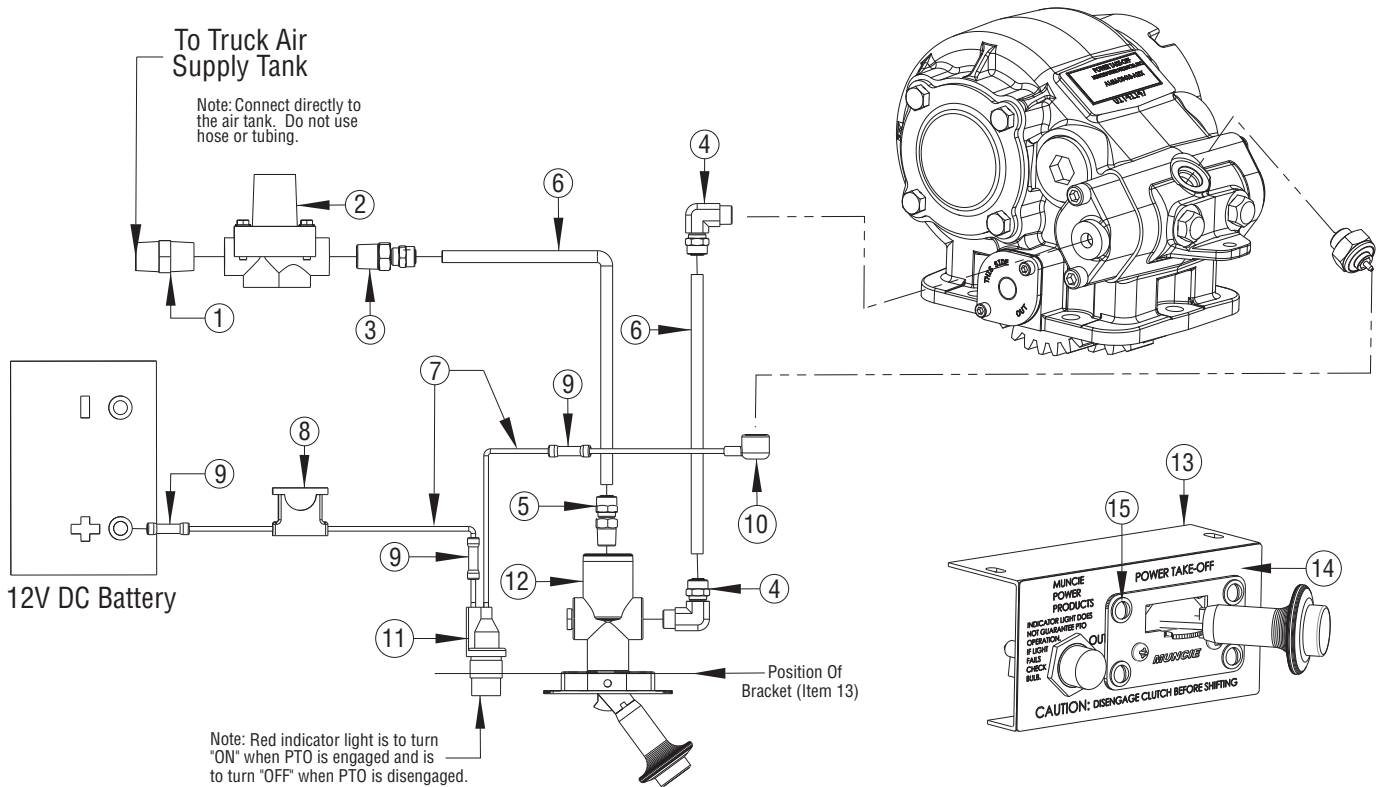
A1 ASSEMBLY ARRANGEMENT



SHIFT SYSTEMS

A1 SERIES STANDARD AIR SHIFT SYSTEM "A"

48M61250-A (12V Light) & 48M2450-A (24V LIGHT)



STANDARD SHIFT KIT

48M61250-A and 48M2450-A

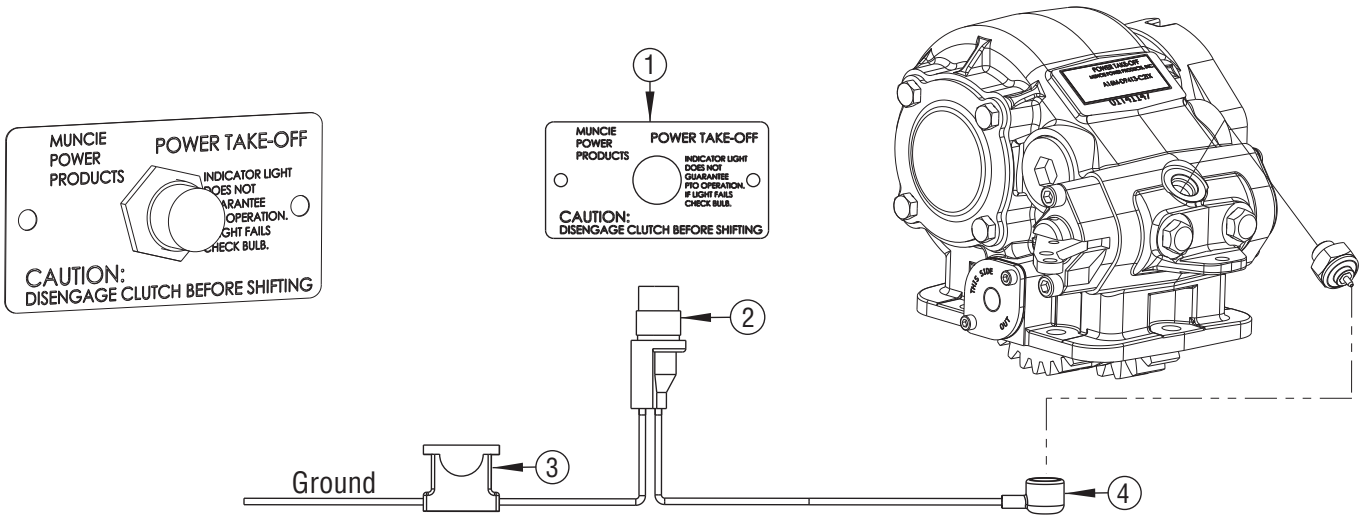
ITEM	QTY	PART NO.	DESCRIPTION
1	1	44MB2164	Pipe Nipple
2	1	31M15759	Pressure Protection Valve
3	1	44MB6844	Tube Fitting
4	2	44MB6942	Tube Fitting (Elbow)
5	1	44MB6842	Tube Fitting
6	1	44M44430	Air Tubing 30ft. x 1/4"
7	12ft.	37M18000	Electrical Wire - 18GA
8	1	33T36299	Fuse Assembly
9	3	34M18002	Butt Splice
10	1	34T38163	Booted Connector
11	1	32M12001 32M24001	12V Light 24V Light
12	1	35M18653	Air Valve
13	1	36MA1004	Dash Bracket
14	1	36M01005	Face Plate
15	1	36MK1007	Bolt Kit

NOTE: Indicator switch NOT included in kit.

SHIFT SYSTEMS

A1 SERIES CABLE SHIFT KIT "C"

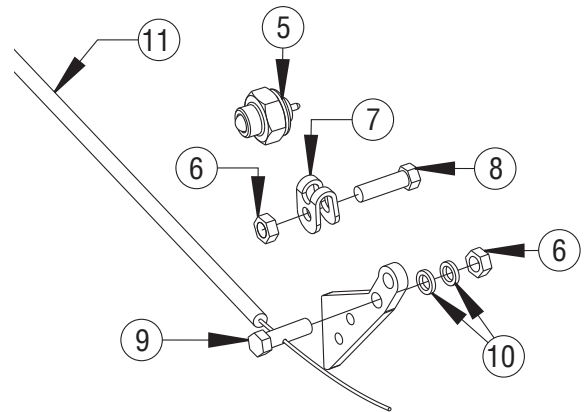
16TK5184-14 (1 & 4 Assembly) & 16TK5184-23 (2 & 3 Assembly)



CABLE SHIFT KIT

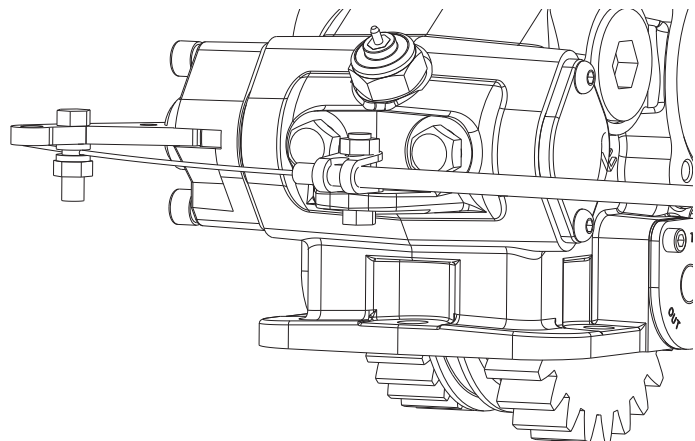
16TK5184-14 and 16TK5184-23

ITEM	QTY	PART NO.	DESCRIPTION
1	1	36M16818	Dash Face Plate
2	1	32M12001	Indicator Light
3	1	33T36299	Fuse Holder
4	2	34T38163	Booted Connector
5	1	30T38111 30T38110	Indicator Switch - 14 Indicator Switch - 23
6-10	1	190ST0018G0	Cable Shift Kit
11	1	28MCC120	Cable (Not included in kit)
N.S.	1	28MK0155	Cable Knob



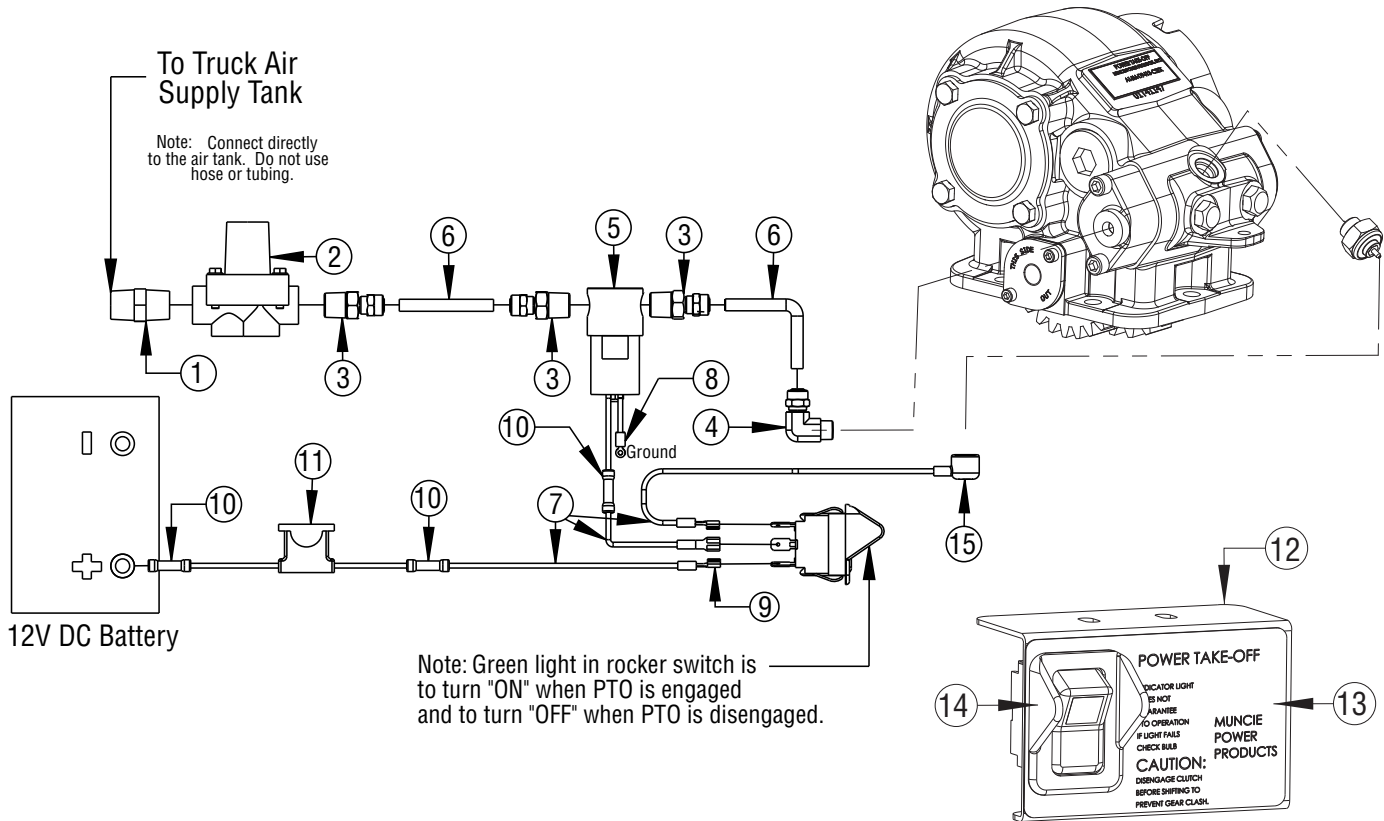
NOTE: Items 1-4 are part of the Dash Light Kit (36MK1210-A) which is included in the cable shift kit.

A1 SERIES PTO w/CABLE SHIFT KIT INSTALLED



SHIFT SYSTEMS

A1 SERIES ELECTRIC-AIR SHIFT SYSTEM "E" 48M61200-A (12V Solenoid Switch) & 48M62400-A (24V Solenoid Switch)



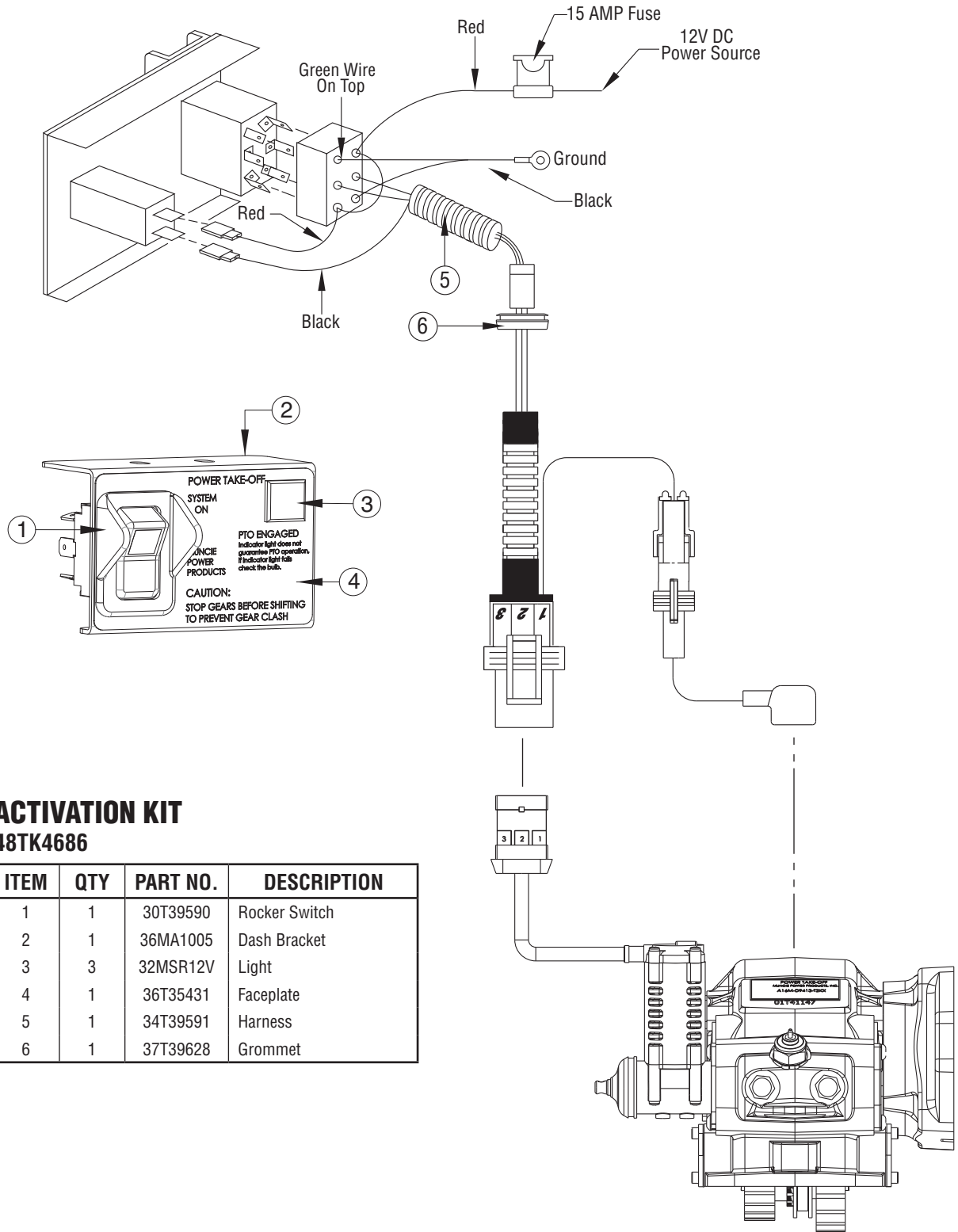
ELECTRIC-AIR SHIFT KIT 48M61200-A & 48M62400-A

ITEM	QTY	PART NO.	DESCRIPTION
1	1	44MB2164	Pipe Nipple
2	1	31M15759	Pressure Protection Valve
3	3	44MB6844	Tube Fitting
4	1	44MB6942	Tube Fitting (Elbow)
5	1	35M30692 35M31692	12V Solenoid Valve 24V Solenoid Valve
6	1	45M44430	Air Tubing 30ft. x 1/4"
7	30ft.	37M18000	Electrical Wire - 18GA
8	1	34M18009	Eyelet Terminal
9	3	34M18250	Spade Terminal
10	3	34M18002	Butt Splice
11	1	33T36299	Fuse Assembly
12	1	36MA1005	Dash Bracket
13	1	36M01007	Face Plate
14	1	30T35687 30T35712	Switch 12V DC Switch 24V DC
15	1	34T38163	Booted Connector
N.S.	1	36MK1007	Bolt Kit

NOTE: Indicator switch NOT included in kit.

SHIFT SYSTEMS

A1 SERIES E-HYDRA SHIFT KIT "T" 48TK4686 (12V)

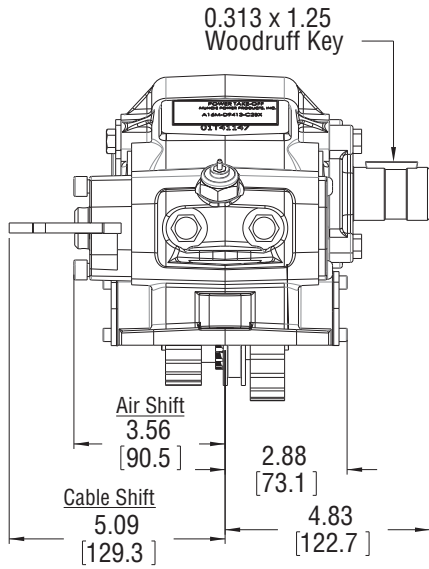


ACTIVATION KIT 48TK4686

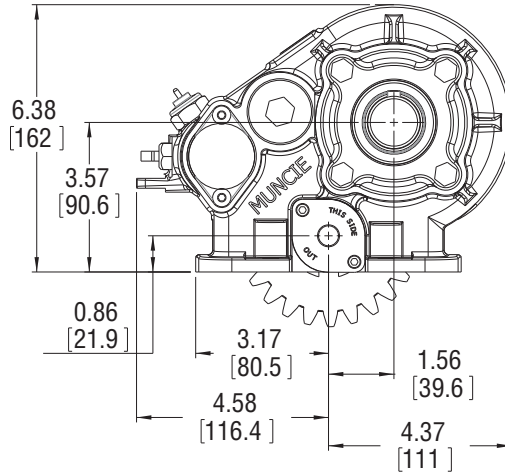
ITEM	QTY	PART NO.	DESCRIPTION
1	1	30T39590	Rocker Switch
2	1	36MA1005	Dash Bracket
3	3	32MSR12V	Light
4	1	36T35431	Faceplate
5	1	34T39591	Harness
6	1	37T39628	Grommet

A1 SERIES PTO DIMENSIONS IN INCHES (MM)

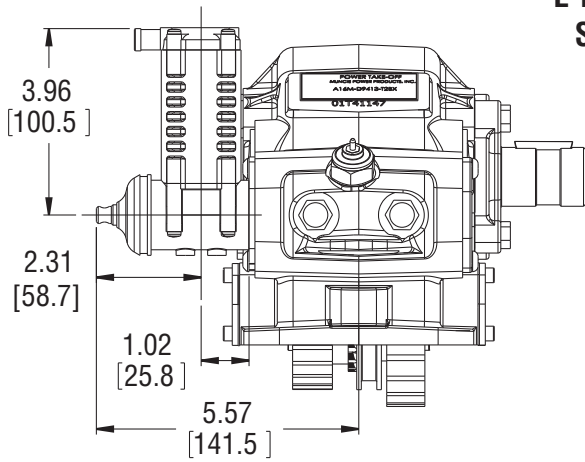
"B" OUTPUT OPTION - 1-1/4" ROUND



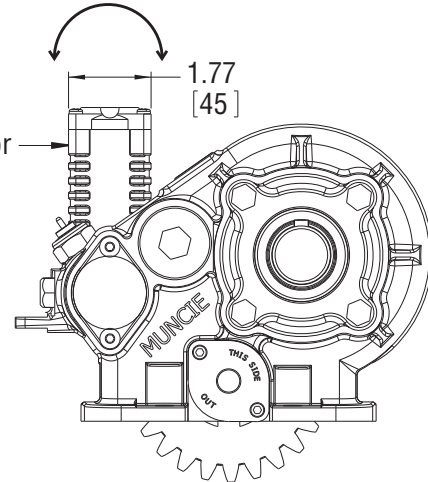
CABLE / AIR SHIFT



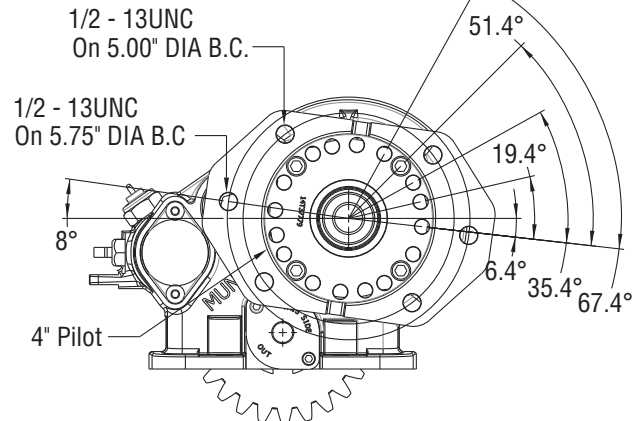
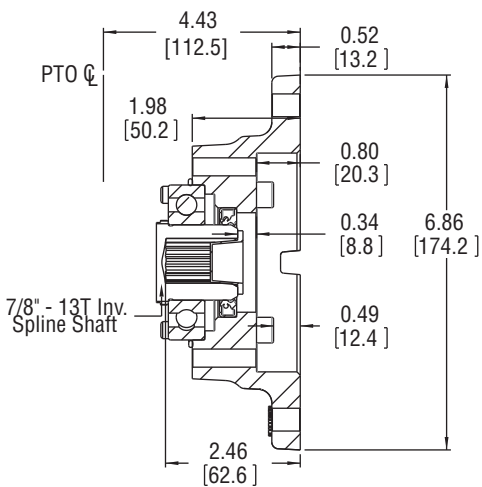
E-HYDRA SHIFT



Cylinder is rotatable for mounting clearance

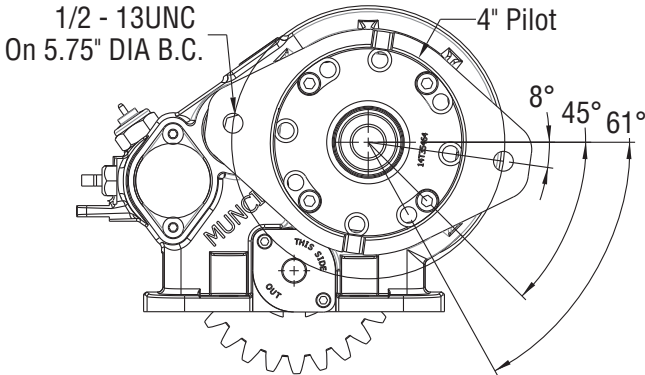
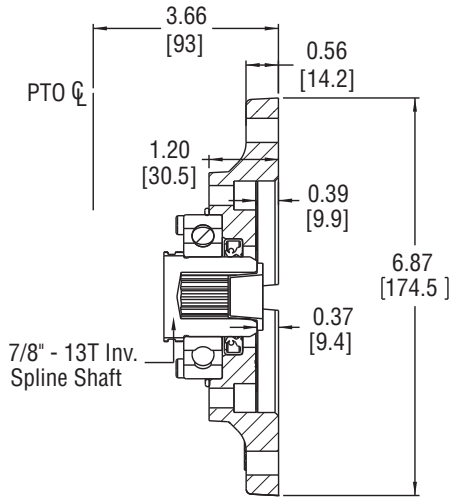


"K" OUTPUT OPTION - SAE 'B' 2&4-BOLT with 7/8" - 13T



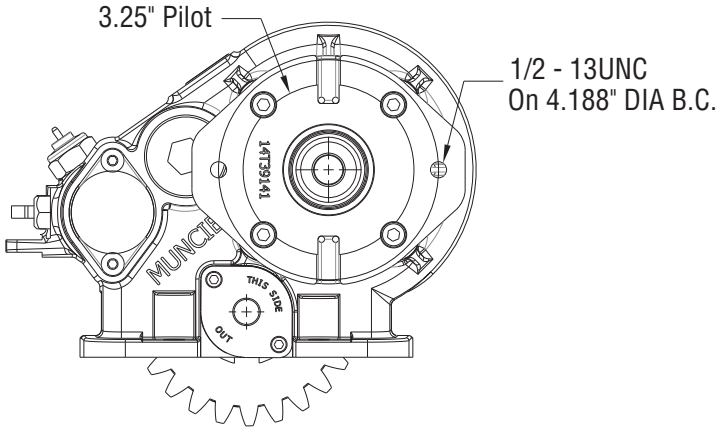
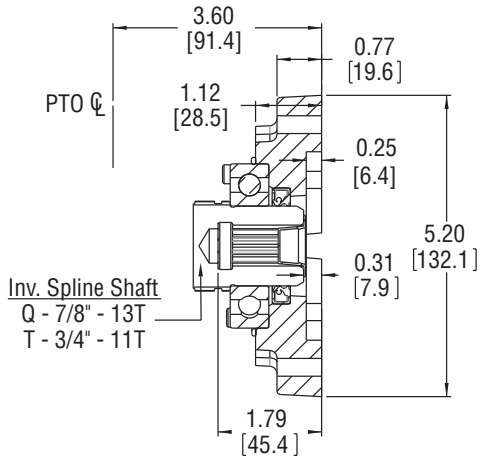
A1 SERIES PTO DIMENSIONS IN INCHES (MM)

“S” OUTPUT OPTION – SAE ‘B’ 2-BOLT with 7/8" - 13T



“Q” OUTPUT OPTION – SAE ‘A’ 2-BOLT with 7/8" - 13T

“T” OUTPUT OPTION – SAE ‘A’ 2-BOLT with 3/4" - 11T

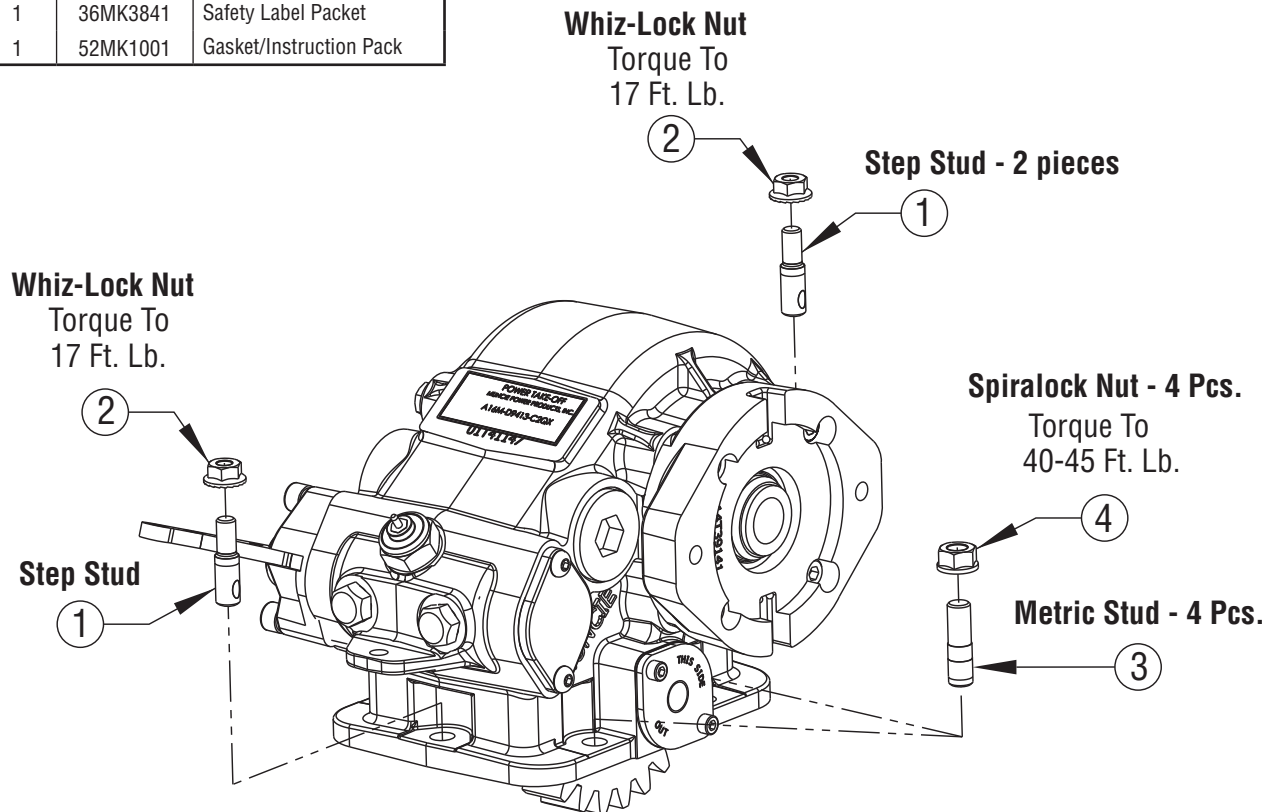


ACCESSORY KITS

A1 INSTALLATION KIT

48TK5174

QTY	PART NO.	DESCRIPTION
1	IN09-10	Instruction Sheet
1	20TK4768	Stud Kit
1	36MK3841	Safety Label Packet
1	52MK1001	Gasket/Instruction Pack



STUD KIT 20TK4768

ITEM	QTY	PART NO.	DESCRIPTION
1	2	20T39529	Step Stud
2	2	22T37605	Whiz-Lock Nut
3	4	20M39035	Metric Stud M10 x 1.5 x 40
4	4	22T39282	Spirallock Nut

GASKET/INSTRUCTION PACK 52MK1001

QTY	PART NO.	DESCRIPTION
1	IN84-03	PTO Manual
1	13M35091	.010" Gasket
1	13M35092	.020" Gasket
1	36M111NP	Nameplate

SAFETY LABEL PACKET 36MK3841

QTY	PART NO.	DESCRIPTION
2	36M35644	Frame Label
1	36T38634	Visor Label
1	36M35652	Dash Label



Muncie Power Products, Inc. Member of the Interpump Hydraulics Group
 General Offices and Distribution Center • P.O. Box 548 • Muncie, IN 47308-0548
 (765) 284-7721 • FAX (765) 284-6991 • E-mail info@munciepower.com
 Web site <http://www.munciepower.com>

Drive Products, Exclusive Agents for Canada, ISO Certified by an Accredited Registrar

