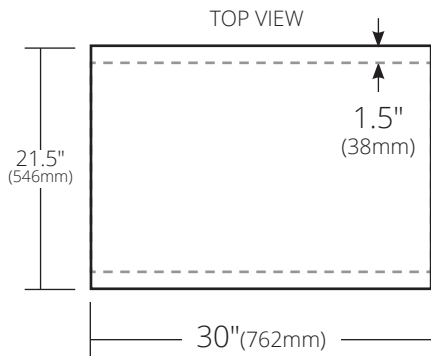
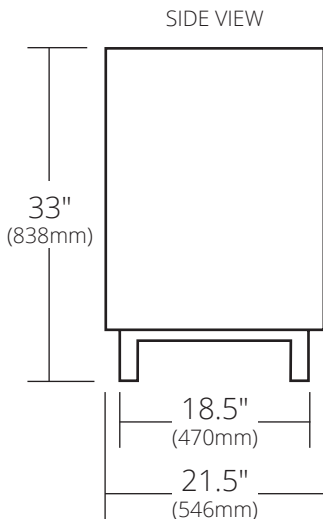
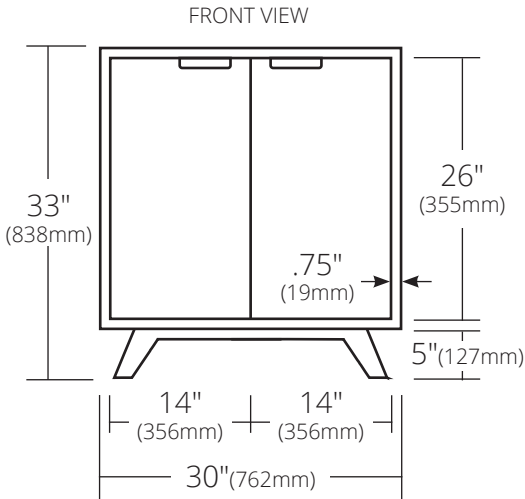


SPECIFICATIONS

TOPANGA 30" VANITY

Topanga Series



VNA301

PRODUCT DETAILS

- 30"w x 21.5"d x 33"h (762mm x 546mm x 838mm)
- FSC® Certified Walnut
- Two soft-close doors
- One adjustable shelf
- Low VOC water-resistant finish

INSTALLATION

- Freestanding vanity base

COORDINATING PRODUCTS

- Any Native Trails vanity top

IMPORTANT

Due to the handcrafted nature of this product, it will vary in finish, texture, and other details. Dimensions may vary up to ¼" (6mm).